

# X5 Consumer Adjustable Stride Cross-Trainer

X5-XX00-0104, X5-XX14-0104

**End of Life**

**Parts Manual**

MAY 2021

# Table of Contents

---

Miscellaneous	2
Console Assemblies	3
Front Plastics	4
Console Support and Handlebars	5
User Arms and Hardware	7
Upright and Upright Shrouds	8
Pedal Lever Assemblies	9
Main Shrouds	11
Idler Assemblies and Covers	12
Crank Related Components	13
Crank Pulley and Drive Belt	14
Coupler Components	15
Electronic Components	16
Brake and Tensioner Components	17
Stabilizer Components and Grommets	18
Wiring Diagram	19

# Miscellaneous

## Serial Number Table

Item Number	SKU Revision	Starting Serial Number	Ending Serial Number
X5-XX00-0104	104		
X5-XX14-0104	104		

## Transformer Part Numbers

Item	SKU Revision	Part No	Description
TR-001	104	8974001	ASSY, TRANSFORMER, 100-240V, 9V, 4A, DOM
"	104	8974101	ASSY, TRANSFORMER, 100-240V, 9V, 4A, UK
"	104	8974201	ASSY, TRANSFORMER, 100-240V, 9V, 4A, CONT
"	104	8974301	ASSY, TRANSFORMER, 100-240V, 9V, 4A, AUST
"	104	8974401	ASSY, TRANSFORMER, 100-240V, 9V, 4A, BR

## Miscellaneous Part Numbers

Item	SKU Revision	Part No	Description
MS-002	104	REX2SNH	Kit, All Hardware Bags X5

# Console Assemblies



CN-001



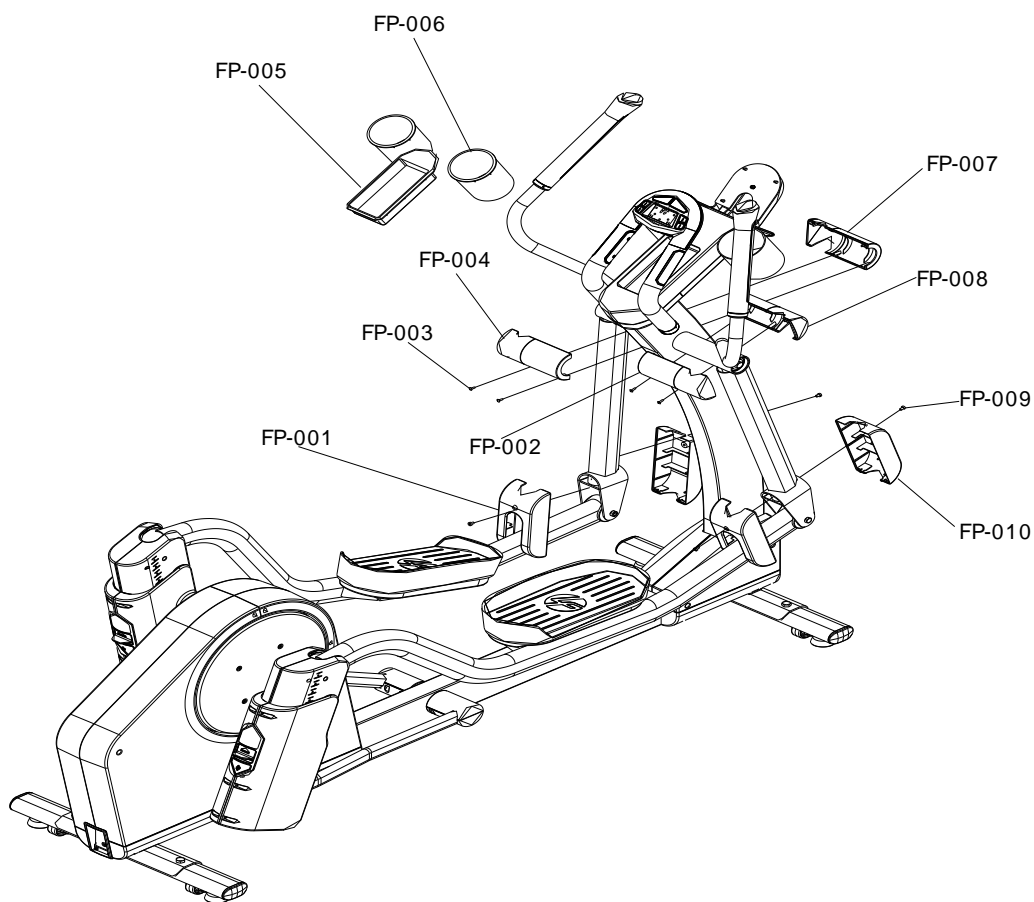
CN-002

## Console Part Numbers

Item	SKU Revision	Part Number	Description
CN-001	104	GC-000X-0104N	GO CT/BIKE CONSOLE ENG/ENG+MET
"	104	GC-020X-0104N	GO CT/BIKE CONSOLE GER/MET
"	104	GC-040X-0104N	GO CT/BIKE CONSOLE SPN/MET
CN-002	104	TKC-000X-0104N	TRACK CT/BIKE CONSOLE ENG/ENG+MET
"	104	TKC-020X-0104N	TRACK CT/BIKE CONSOLE GER/MET

# Front Plastics

## Exploded View

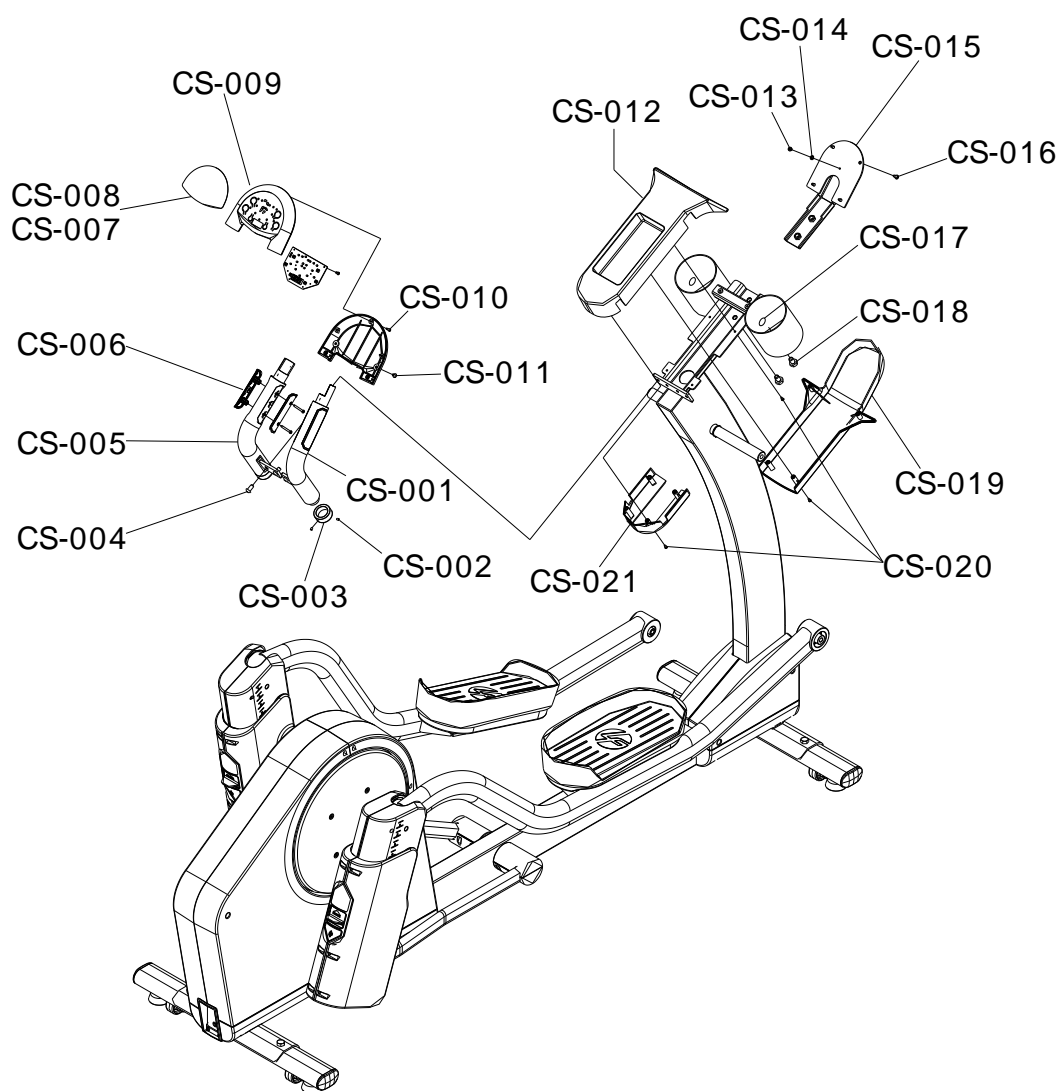


## Parts List

Item	SKU Revision	Part Number	Description
FP-001	104	REX2LFB	Right and Left Rear Clevis Covers
FP-002	104	REX2LF9	Right Rear Pivot Cover
FP-003	104	REX2NAG	Phillips Pan Screw (4)
FP-004	104	REX2LF7	Rear Left Pivot Cover
FP-005	104	REX2LNZ	Accessory Tray Insert
FP-006	104	REX2LNY	Cup Holder Insert (2)
FP-007	104	REX2LF6	Front Left Pivot Cover
FP-008	104	REX2LF8	Front Right Pivot Cover
FP-009	104	REX2NAK	Pan Screw (4)
FP-010	104	REX2LFA	Right and Left Front Clevis Covers

# Console Support and Handlebars

## Exploded View



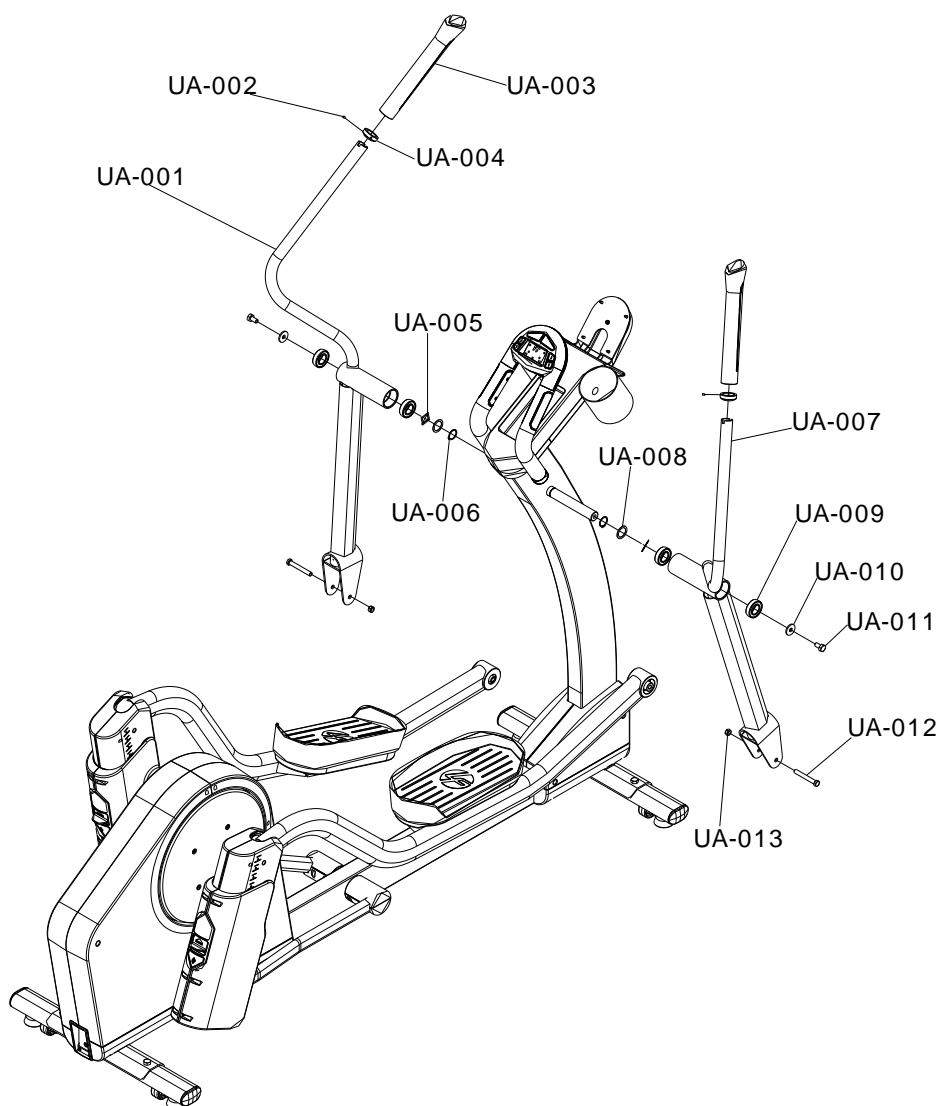
## Parts List

Item	SKU Revision	Part Number	Description
CS-001	104	REX2LNN	Right Handlebar
CS-002	104	REX0JZB	Set Screw (4)
CS-003	104	REX2AZB	Grip Cap (2)
CS-004	104	REX0K0A	Cap Screw (4)
CS-005	104	REX2LNM	Left Handlebar
CS-006	104	8311101	HR Electrode Kit (Includes Screws For Sensors)
CS-007	104	8547201	Overlay German
CS-008	104	REX2JZT	Overlay English
CS-009	104	8587201	User Pod Assembly (Includes Front and Rear Plastic English Overlay PCB Board)
CS-010	104	REX2MJM	Pan Screw (5)
CS-011	104	REX2NAH	Pan Screw 2
CS-012	104	REX2LEJ	Top Console Support Cover
CS-013	104	REX2D1X	Ground Screw

CS-014	104	REX0JAF	Star Washer
CS-015	104	REX2LLS	Console Support
CS-016	104	REX0KBA	Pan Screw
CS-017	104	REX2MP4	Felt Disc (3 Per Side)
CS-018	104	REX2P4Q	Hex Bolt
CS-019	104	REX2LEK	Bottom Console Support Cover
CS-020	104	REX0KBR	Pan Screw (12)
CS-021	104	REX2LEL	Lower Console Support Cover

# User Arms and Hardware

## Exploded View

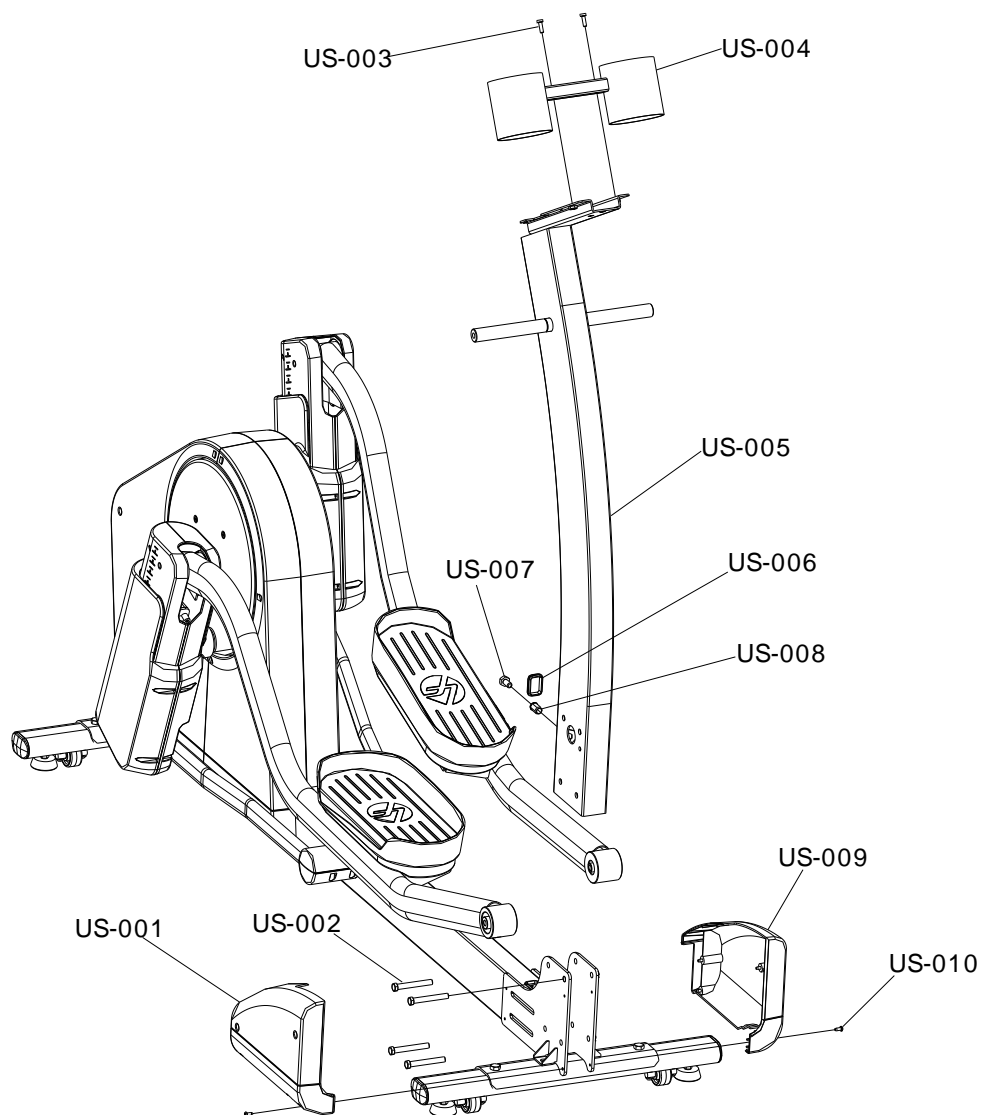


## Parts List

Item	SKU Revision	Part Number	Description
UA-001	104	8310501	Left Rocker Arm Assembly (Includes Bearings 2 and Grip)
UA-002	104	REX0JZB	Set Screw
UA-003	104	REX2NFF	Molded Grip (2)
UA-004	104	REX2AZA	Grip Ring
UA-005	104	REX0JBD	Wave Washer (2)
UA-006	104	REX0JEJ	Snap Ring (2)
UA-007	104	8310401	Right Rocker Arm Assembly (Includes Bearings 2 and Grip)
UA-008	104	REX22B3	Washer (2)
UA-009	104	REX0HVQ	Bearing (4)
UA-010	104	REX2MPQ	Washer
UA-011	104	REX2DVG	Hex Bolt
UA-012	104	REX2BKD	Hex Bolt
UA-013	104	REX22RR	Hex Nut

# Upright and Upright Shrouds

## Exploded View



## Parts List

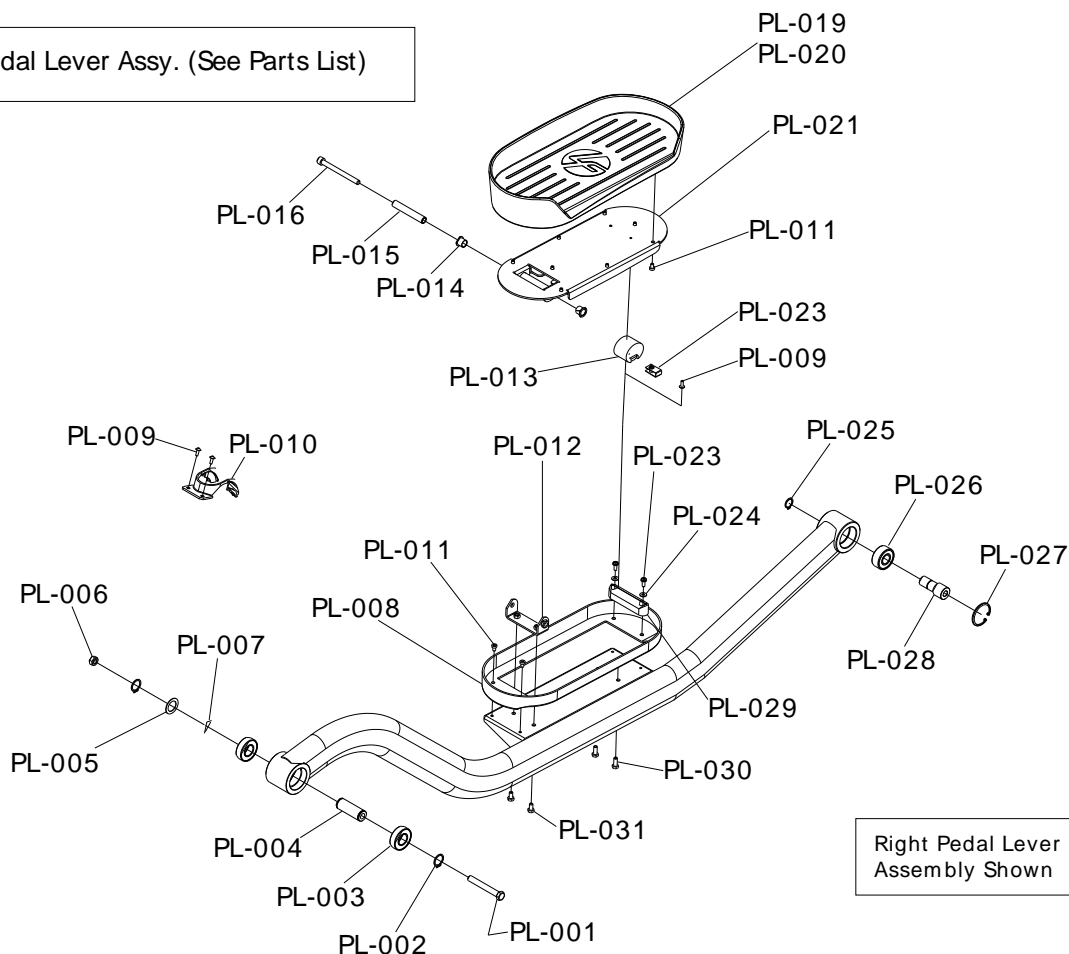
Item	SKU Revision	Part Number	Description
US-001	104	REX2SAD	Right Front Shroud
US-002	104	REX2BKD	Hex Bolt (4)
US-003	104	REX22B7	Bolt (2)
US-004	104	REX2LLT	Cup Holder Weldment
US-005	104	REX2LKD	Upright Weldment
US-006	104	REX2NEK	Grommet
US-007	104	REX2DVG	Bolt
US-008	104	REX21NN	Insert Nut
US-009	104	REX2SAC	Left Front Shroud
US-010	104	REX2NAC	Pan Screw (4)

# Pedal Lever Assemblies

## Exploded View

PL-017 - Right Pedal Lever Assy. (See Parts List)

PL-018 - Left Pedal Lever Assy. (See Parts List)



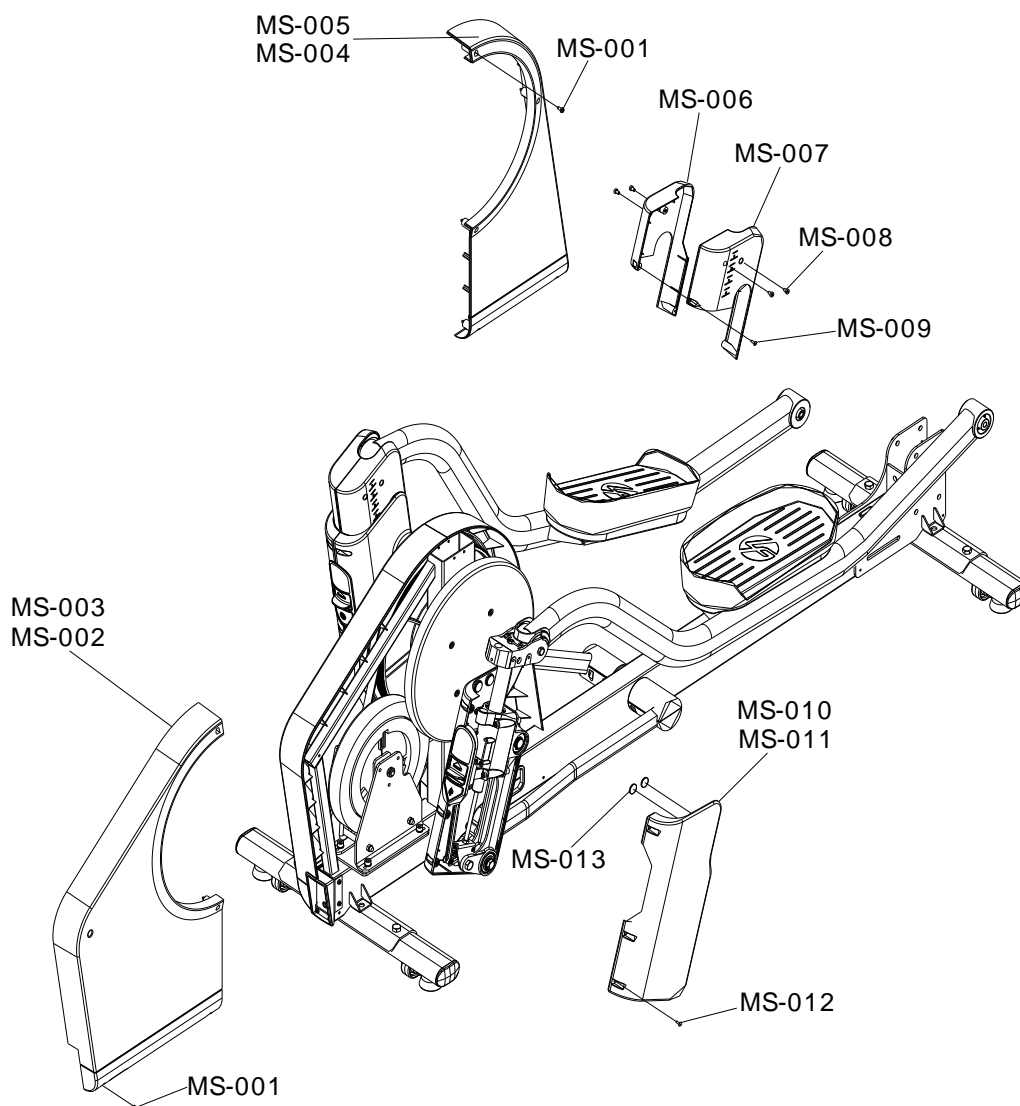
## Parts List

Item	SKU Revision	Part Number	Description
PL-001	104	REX2BKD	Hex Bolt
PL-002	104	REX0JEG	Retaining Ring (2)
PL-003	104	REX0HVP	Bearing (2)
PL-004	104	REX2LJZ	Adjustable Link Axle
PL-005	104	REX2NDD	Spacer Washer
PL-006	104	REX22RR	Hex Nut
PL-007	104	REX0JB7	Wave Washer
PL-008	104	REX2XAF	Bottom Pedal Cover
PL-009	104	REX2NAM	Screw
PL-010	104	REX2N8J	Pivot Guard
PL-011	104	REX2NAK	Screw (2)
PL-012	104	REX2MF3	Pedal Bracket
PL-013	104	0K40-01026-0001	Tecspac Spring (2)
PL-014	104	REX2LNW	Bushing (2)

PL-015	104	REX2MD6	Pivot Sleeve
PL-016	104	REX2MJJ	Hex Bolt
PL-017	104	8310601	Right Pedal Lever Assembly (includes Weldment with Bearings pressed in)
PL-018	104	8310701	Left Pedal Lever Assembly (includes Weldment with Bearings pressed in)
PL-019	104	REX2LKF	Left Pedal
PL-020	104	REX2LKE	Right Pedal (Shown)
PL-021	104	REX2LLC	Pedal Base Weldment
PL-022	104	3206201	Tinnerman Nut
PL-023	104	REX0KEH	Screw (2)
PL-024	104	REX0J5U	Washer (2)
PL-025	104	REX0JEE	Retaining Ring
PL-026	104	REX2BKB	Bearing
PL-027	104	REX0JE0	Retaining Ring
PL-028	104	REX2BAD	Coupler Shaft
PL-029	104	REX2MM1	Bumper
PL-030	104	REX2PVA	Pedal Mtg. Screw (2)
PL-031	104	REX2NG8	Pedal Mtg. Bolt (2)

# Main Shrouds

## Exploded View

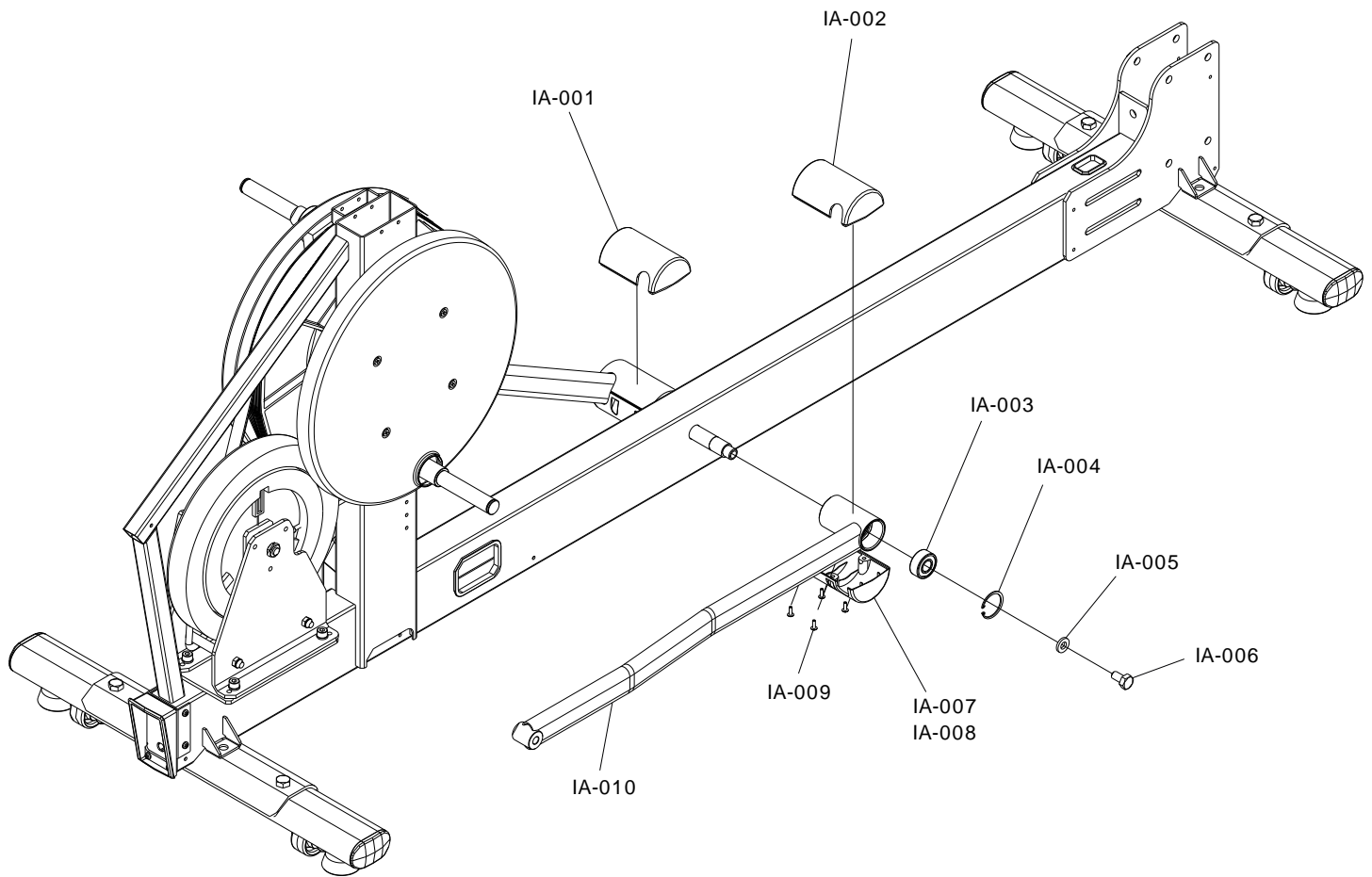


## Parts List

Item	SKU Revision	Part Number	Description
MS-001	104	REX2NAC	Screw (5)
MS-002	104	REX2LEW	Rear Right Shroud (Shown)
MS-003	104	REX2LEV	Rear Left Shroud
MS-004	104	REX2LET	Front Left Rear Shroud
MS-005	104	REX2LEU	Front Right Rear Shroud (Shown)
MS-006	104	REX2RK7	Left Side Slide Cover
MS-007	104	REX2RK8	Right Side Slide Cover
MS-008	104	REX2NAK	Screw (4)
MS-009	104	REX2NAG	Screw (2)
MS-010	104	REX2RKB	Outer Right Adj. Housing (Shown)
MS-011	104	REX2RKA	Outer Left Adj. Housing
MS-012	104	REX2MJN	Screw (6)
MS-013	104	REX2MP4	Felt Disk

# Idler Assemblies and Covers

## Exploded View

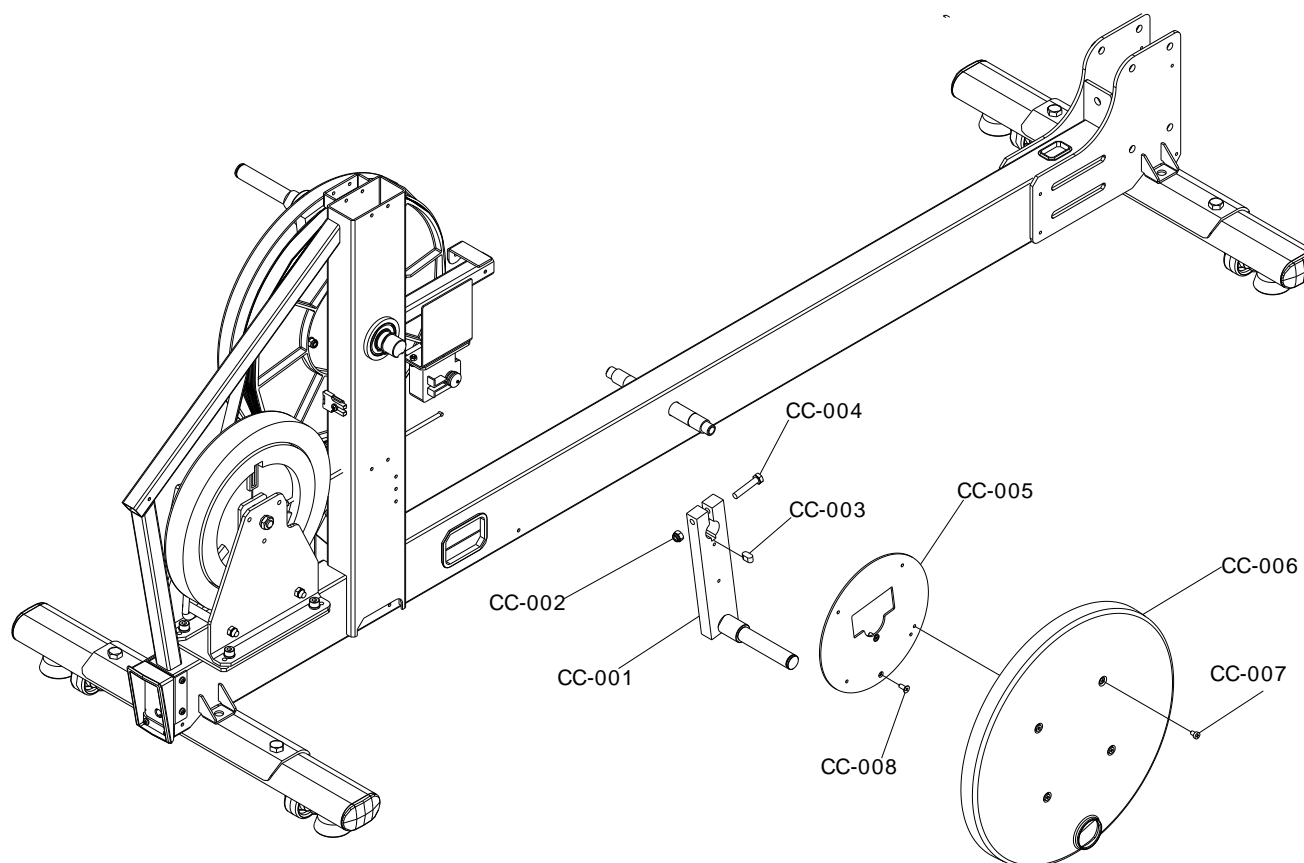


## Parts List

Item	SKU Revision	Part Number	Description
IA-001	104	REX2RK3	Top Left Pivot Cover
IA-002	104	REX2RK5	Top Right Pivot Cover
IA-003	104	REX2BKA	Bearing
IA-004	104	REX0JDZ	Retaining Ring
IA-005	104	REX0J4R	Washer
IA-006	104	REX2DVG	Hex Bolt
IA-007	104	REX2RK6	Lower Right Pivot Cover (Shown)
IA-008	104	REX2RK4	Lower Left Cover
IA-009	104	REX2NAG	Screw (2)
IA-010	104	8623301	Idler Assembly (Same for Right and Left) Includes Bearing and Snap Ring

# Crank Related Components

## Exploded View

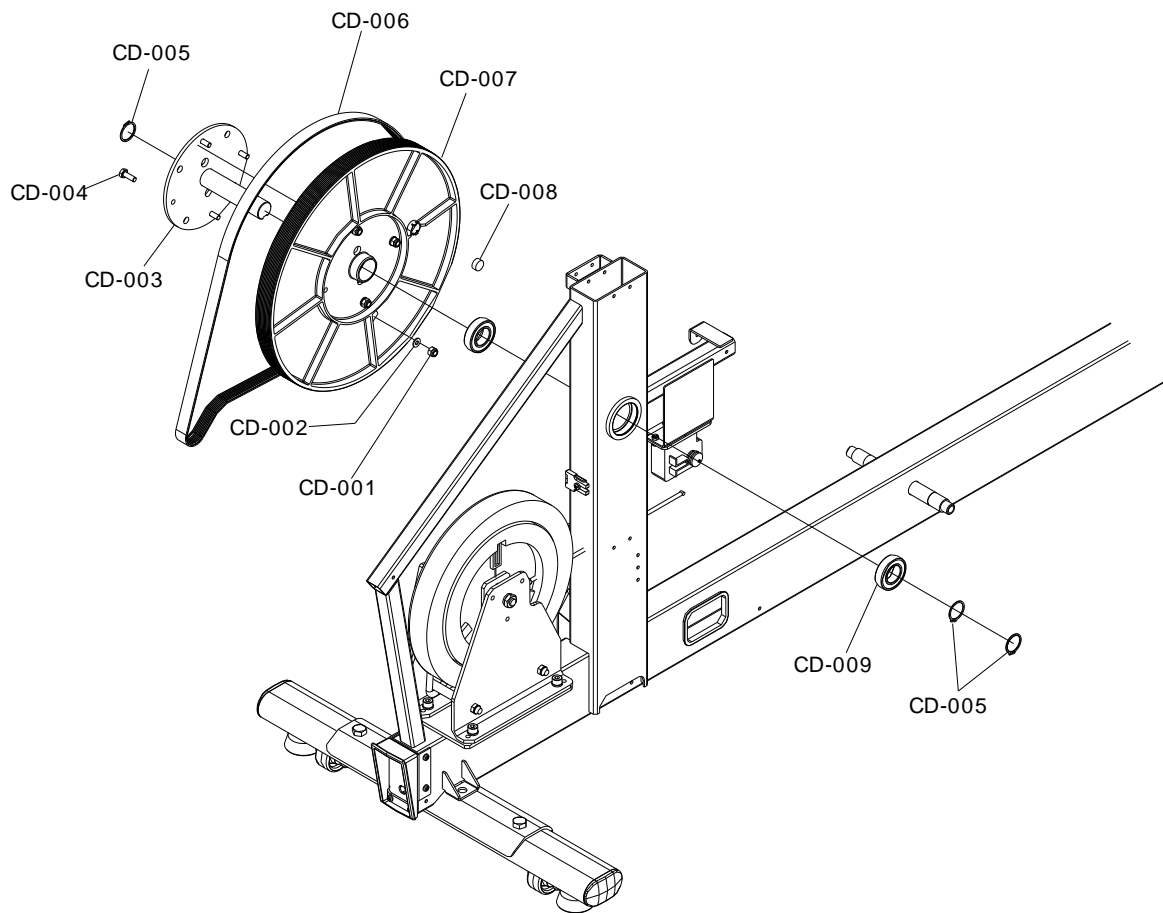


## Parts List

Item	SKU Revision	Part Number	Description
CC-001	104	REX2LL2	Right or Left Crank Arm
CC-002	104	REX22RP	Nut
CC-003	104	REX0JGQ	Crank Key
CC-004	104	REX21NS	Bolt
CC-005	104	REX2LRT	Right or Left Crank Cover Support Plate
CC-006	104	REX2LEF	Right or Left Crank Cover
CC-007	104	REX2NAK	Screw (4)
CC-008	104	REX0K5T	Crankplate Mtg. Screw (2)

# Crank Pulley and Drive Belt

## Exploded View

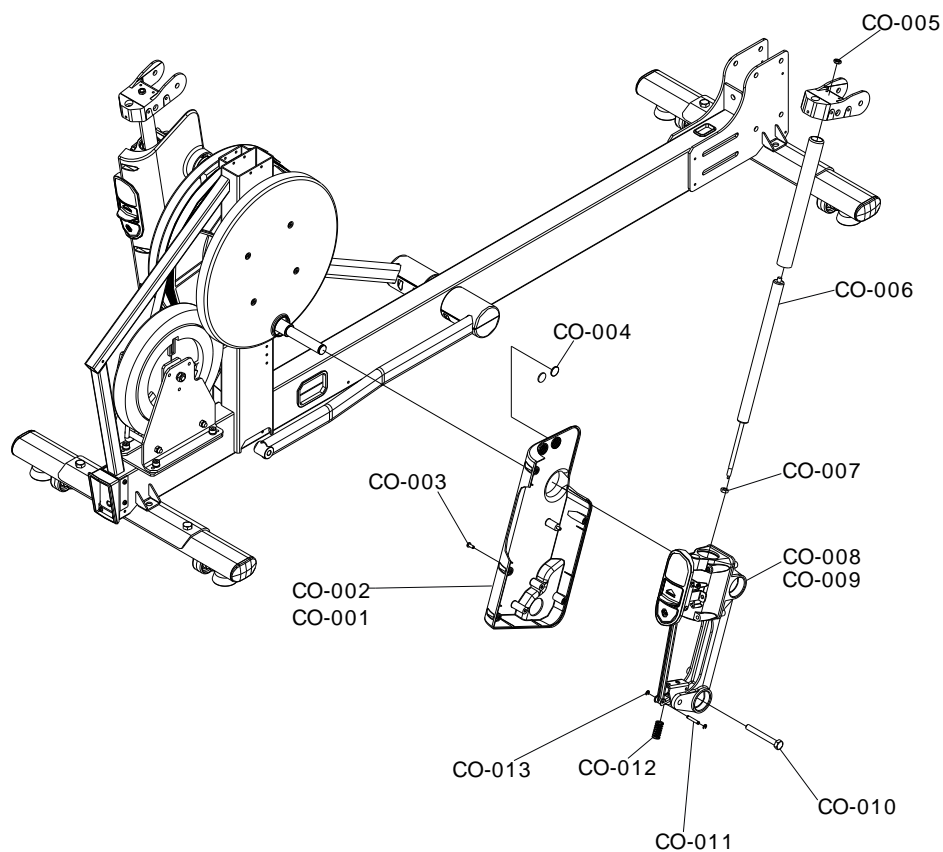


## Parts List

Item	SKU Revision	Part Number	Description
CD-001	104	REX0KR3	Nut (4)
CD-002	104	REX0J69	Washer (4)
CD-003	104	REX37HH	Crank Axle Weldment
CD-004	104	REX21NT	Hex Bolt (4)
CD-005	104	REX0JEJ	Retaining Ring (3)
CD-006	104	REX2LME	Poly-V Belt
CD-007	104	REX218N	Crank Pulley
CD-008	104	REX01H5	Magnet
CD-009	104	REX0HVQ	Bearing (2)

# Coupler Components

## Exploded View

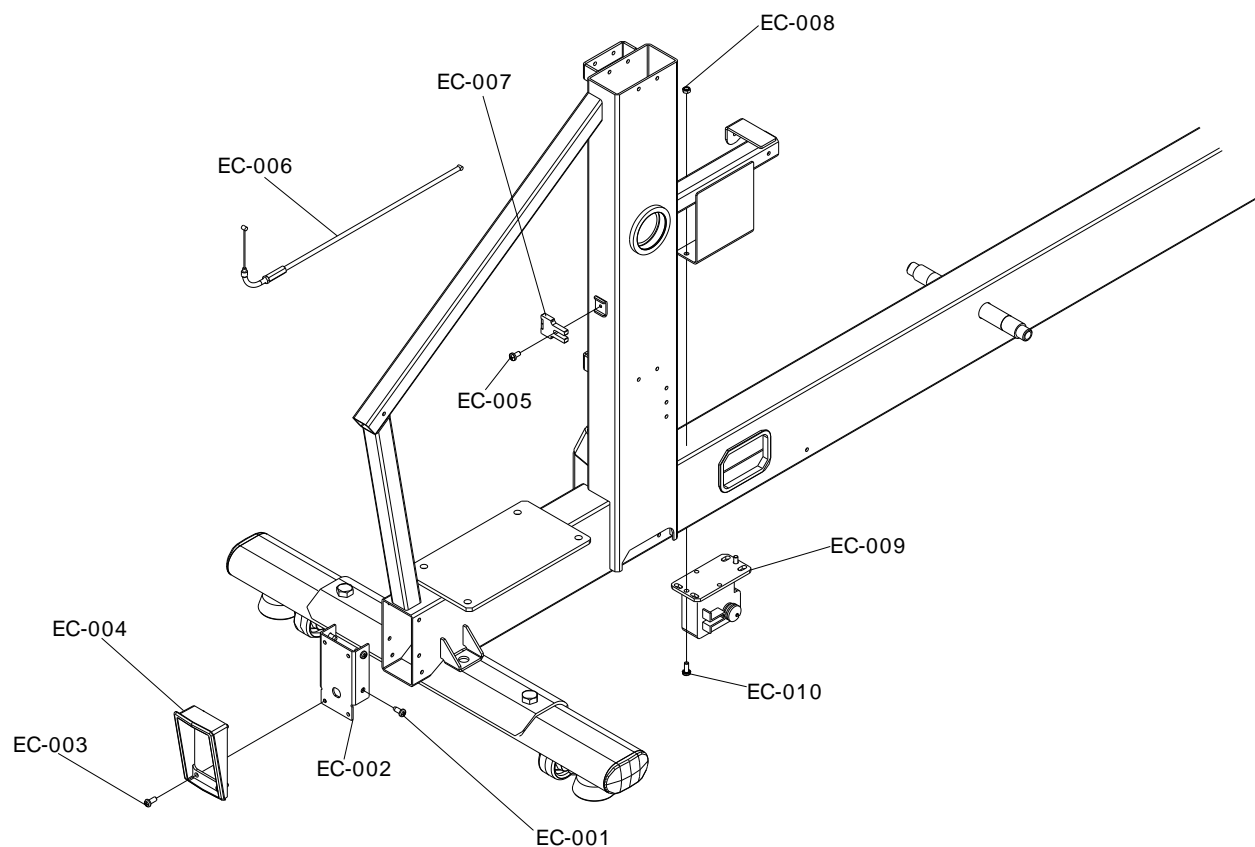


## Parts List

Item	SKU Revision	Part Number	Description
CO-001	104	REX2RK9	Adj. Coupler Cover Inside Left
CO-002	104	REX2RKC	Adj. Coupler Cover Inside Right (Shown)
CO-003	104	REX0KEQ	Screw (3)
CO-004	104	REX2MP4	Felt Pad (2)
CO-005	104	REX0KMT	Nut
CO-006	104	REX31TE	Gas Spring
CO-007	104	REX2T74	Nut
CO-008	104	8868901	Right Coupler Assembly (Shown)
CO-009	104	8868801	Left Coupler Assembly
CO-010	104	REX2MJK	Hex Bolt
CO-011	104	REX2RQB	Pin, Grooved (2)
CO-012	104	REX2SOC	Spring
CO-013	104	REX0JET	Ring Retaining (12)

# Electronic Components

## Exploded View

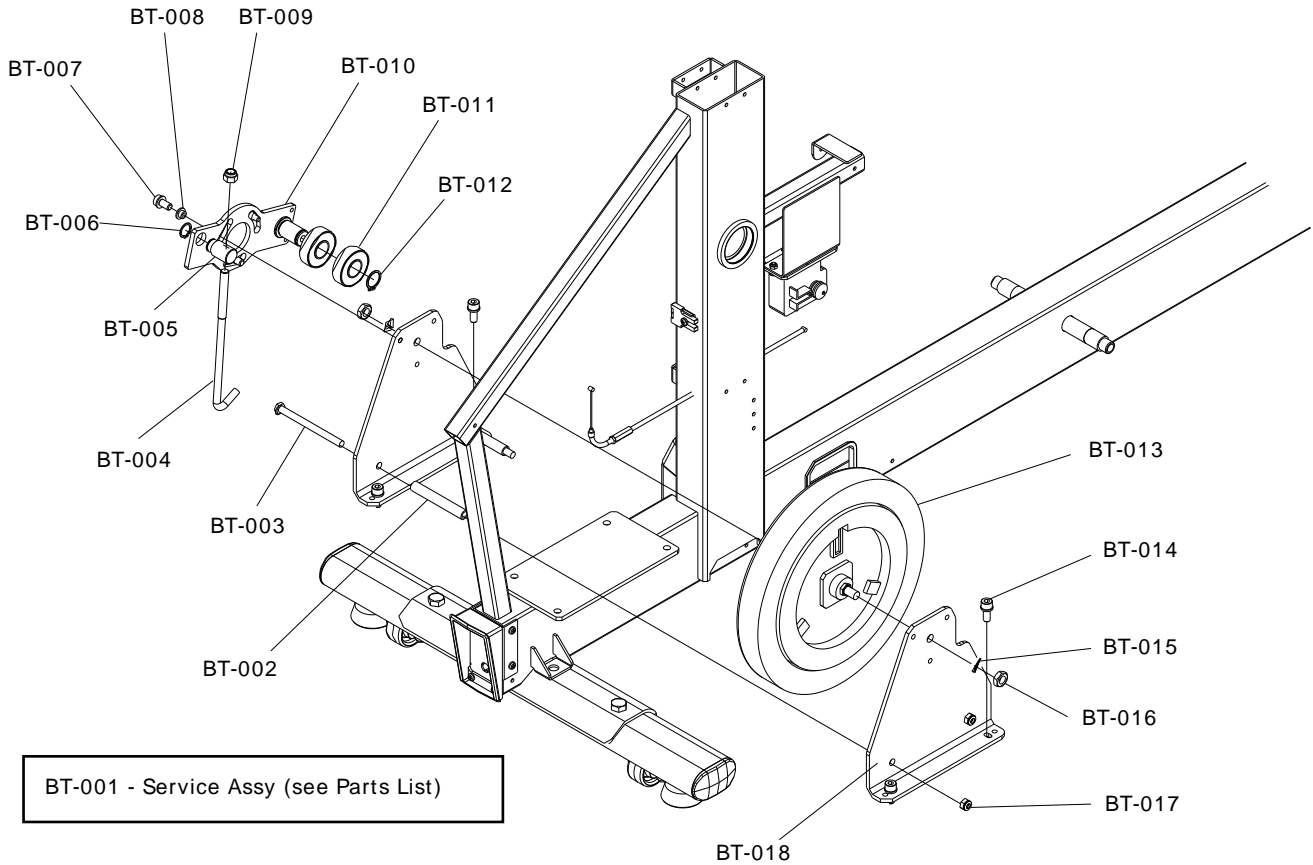


## Parts List

Item	SKU Revision	Part Number	Description
EC-001	104	REX2NAC	Screw (4)
EC-002	104	REX2SFX	Power Switch Bracket
EC-003	104	REX0KEQ	Screw (4)
EC-004	104	REX2LUA	Power Bracket Cover
EC-005	104	REX0K28	Screw
EC-006	104	REX01QH	Brake Cable
EC-007	104	REX01J8	Speed Sensor
EC-008	104	REX0KMR	Screw (2)
EC-009	104	REX01HL	Resistance Motor
EC-010	104	REX0KEH	Screw (2)

# Brake and Tensioner Components

## Exploded View

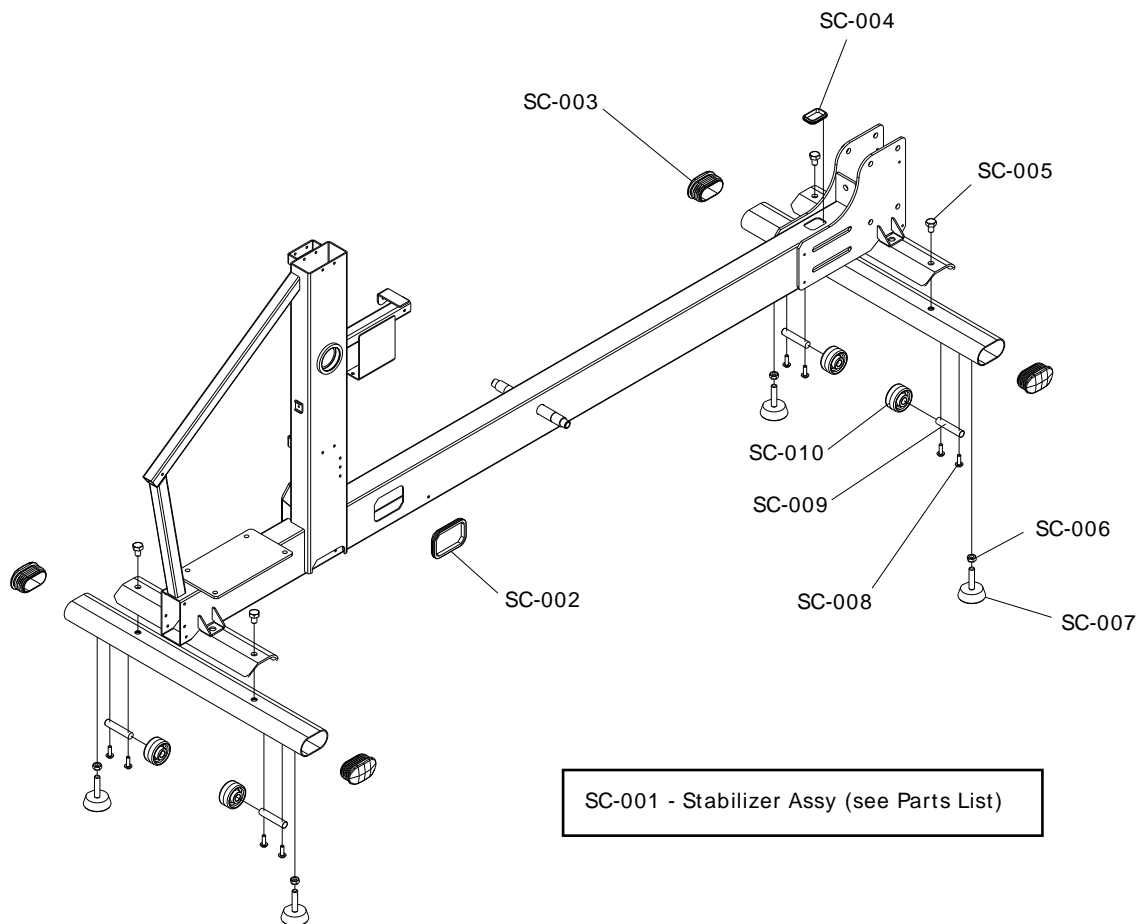


## Parts List

Item	SKU Revision	Part Number	Description
BT-001	104	9001101	Service Assembly, Eddy Brake (Includes All Components Shown Below)
BT-002	104	REX21LG	Spacer (2)
BT-003	104	REX21NP	Bolt (2)
BT-004	104	REX21A6	Hook Clamp
BT-005	104	REX21A7	Swivel Stud
BT-006	104	REX22LR	Retaining Ring
BT-007	104	REX0K2W	Bolt (3)
BT-008	104	REX21X8	Tensioner Spacer (3)
BT-009	104	REX0KR5	Nut
BT-010	104	REX3535	Bracket, Belt Tensioner
BT-011	104	REX0HVY	Bearing (2)
BT-012	104	REX0JEG	Retaining Ring
BT-013	104	REX21BJ	Eddy Current Brake Assembly
BT-014	104	REX25ZJ	Cap Screw (4)
BT-015	104	REX0J93	Spring Washer (2)
BT-016	104	REX20W4	Nut (2)
BT-017	104	REX0KR0	Lock Nut (2)
BT-018	104	REX21LF	Brake Mtg. Bracket

# Stabilizer Components and Grommets

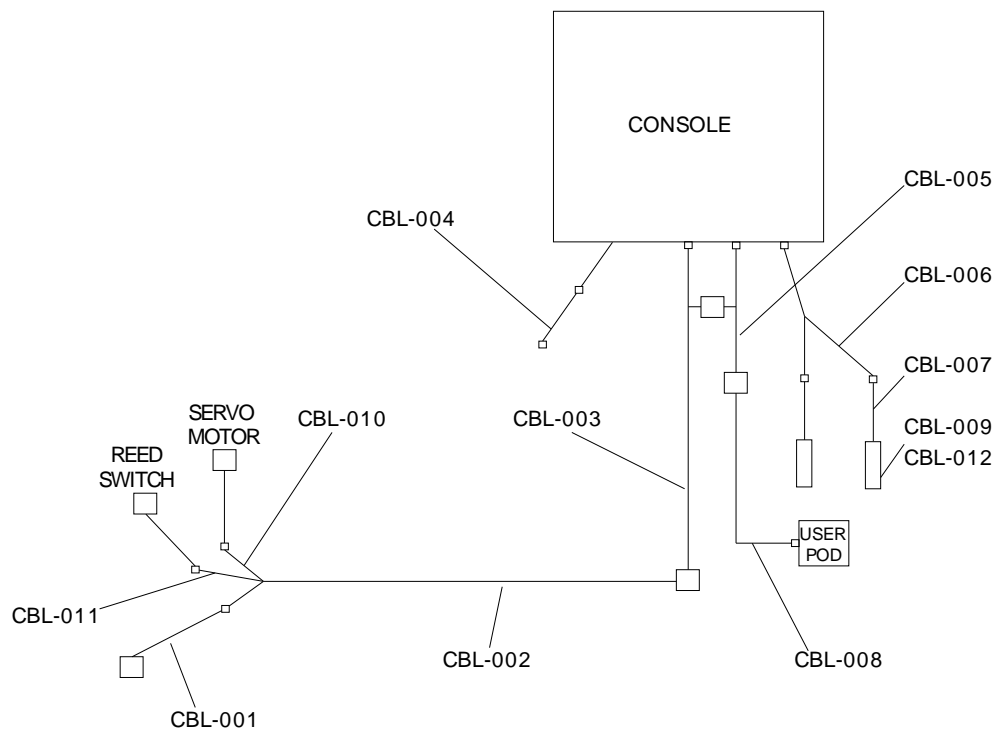
## Exploded View



## Parts List

Item	SKU Revision	Part Number	Description
SC-001	104	8623401	Grommet Front or Rear Stabilizer Assembly (Assembly Includes: Wheels, Levelers and End Caps)
SC-002	104	REX2LUJ	Grommet
SC-003	104	REX2LRB	End Cap (4)
SC-004	104	REX2LUH	Grommet
SC-005	104	REX2TA3	Bolt (4)
SC-006	104	REX0KNM	Nut (4)
SC-007	104	REX2NFK	Leveler (4)
SC-008	104	REX0K0B	Bolt (8)
SC-009	104	REX2AX3	Axle (4)
SC-010	104	REX2AX2	Wheel (4)

# Wiring Diagram



## Cable Chart

Item	SKU Revision	Part Number	Description
CBL-001	104	REX2K86	Cable, CT Motor - Transformer
CBL-002	104	REX2GHY	Cable, CT Base
CBL-003	104	REX30GB	Cable Assy, Upright
CBL-004	104	REX3092	Cable Assy, Ground
CBL-005	104	REX2S61	Wire Harness User Pod, User Pod Side
CBL-006	104	REX2LQH	Cable Assy, HR Sensor To Console
CBL-007	104	REX2S5A	Wire Harness HR Handlebar
CBL-008	104	REX2SG5	Wire Harness User Pod, Console Side
CBL-009	104	REX2LLX	Electrode, Insert-Molded, Top
CBL-010	104	REX01HL	Motor, Resistance DC
CBL-011	104	REX01J8	Switch, Reed, RPM Sensor
CBL-012	104	REX2LP4	Electrode, Insert-Molded, Bottom