

SS-SLP-2513758-X

# Parts Manual

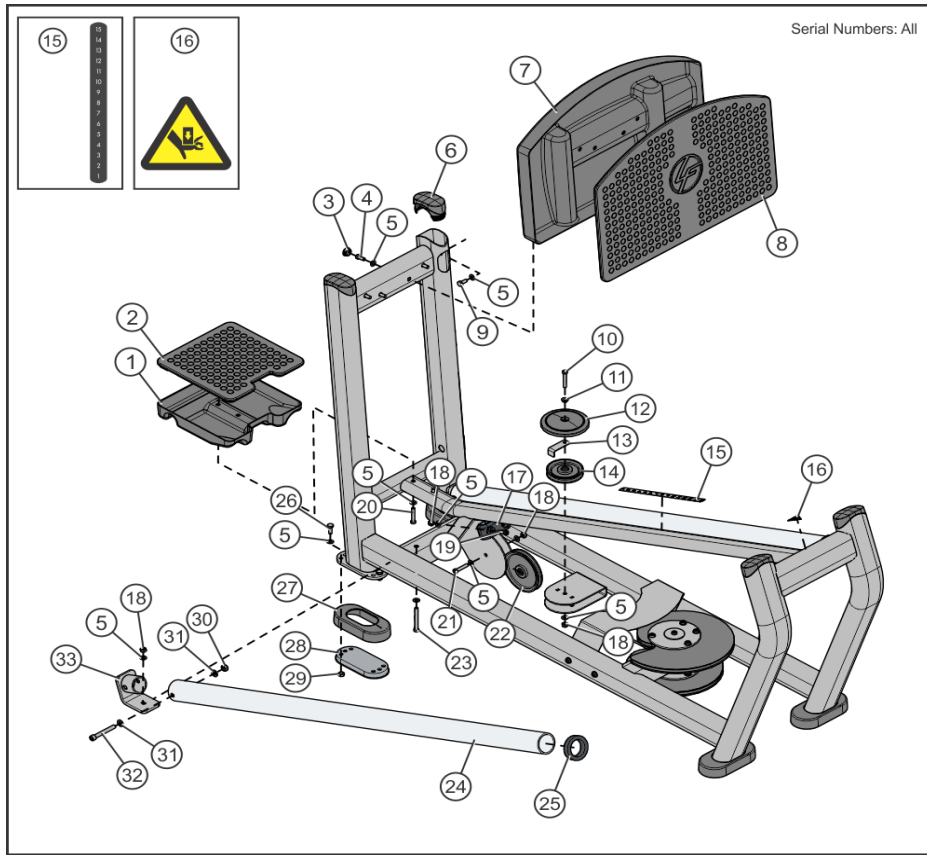
3/13/2025 8:26:53 AM

**Table of Contents**

---

<a href="#">Base Frame</a> .....	3
<a href="#">Base P-Stack</a> .....	5
<a href="#">Base T-Stack Head Plate Assy (previous)</a> .....	6
<a href="#">Base T-Stack (previous)</a> .....	7
<a href="#">Cables</a> .....	8
<a href="#">Cams</a> .....	9
<a href="#">C and X Head Plate</a> .....	10
<a href="#">C and X Increment Weights</a> .....	11
<a href="#">Frame Painted Items</a> .....	12
<a href="#">Full Shroud</a> .....	13
<a href="#">Grips</a> .....	14
<a href="#">Heavy X-Stack</a> .....	15
<a href="#">Heavy X-Stack (previous)</a> .....	16
<a href="#">Light C-Stack</a> .....	17
<a href="#">Light C-Stack (previous)</a> .....	18
<a href="#">L Trim Rep Counter</a> .....	19
<a href="#">Previous C and X Increment Weights</a> .....	20
<a href="#">Previous C and X Increment Weight Assembly</a> .....	21
<a href="#">P-Stack Head Plate Assy</a> .....	22
<a href="#">P-Stack Increment Weight</a> .....	23
<a href="#">Rear Shroud</a> .....	24
<a href="#">Seat</a> .....	25
<a href="#">Seat Adjust</a> .....	27
<a href="#">Seat Handle</a> .....	28
<a href="#">Shroud Wraps</a> .....	29
<a href="#">S and L Trim Tower Top</a> .....	31
<a href="#">Tower Base</a> .....	32
<a href="#">Tower Top</a> .....	33

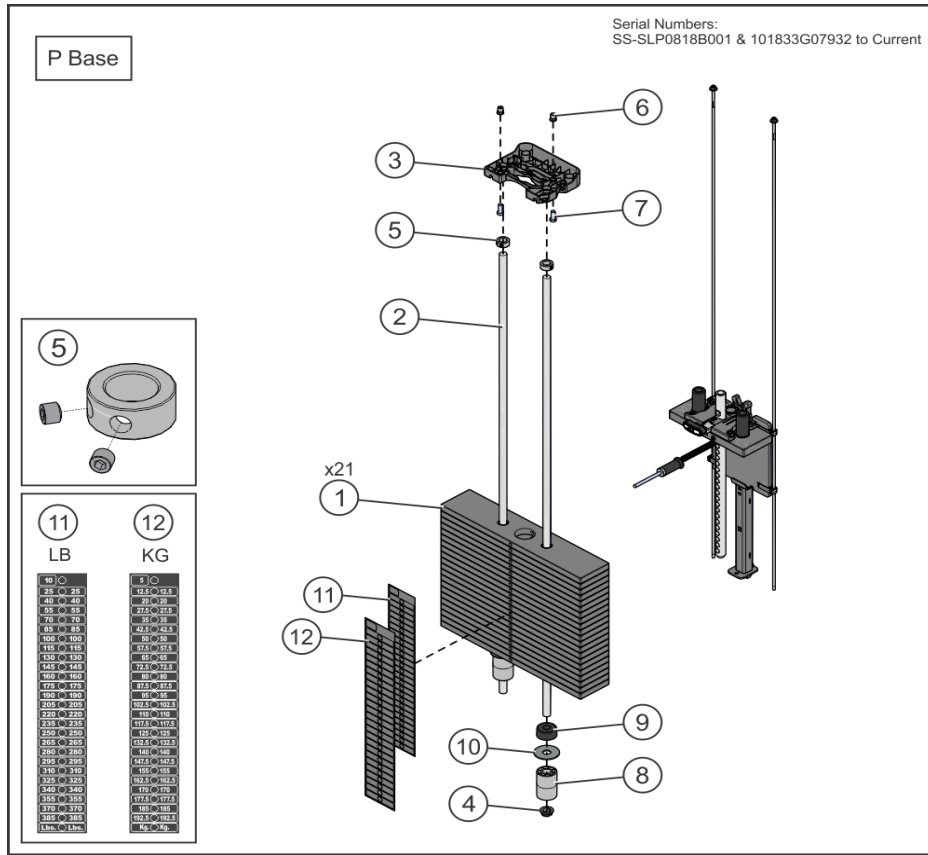
**Base Frame**



Ref #	Part Number	Qty	Description
1	7438202	1	COVER, FZSLLP-STEP
2	7438302	1	STEP PLATE OVERMOLDED
3	3237407	2	PLUG, 1 IN HOLE
4	3236202	2	M10 X 1.5 X 25 SHCS, LOW HEAD
5	3236601	23	WASHER, 3/8 SAE STAINLESS STEEL
6	7333902	4	CAP, LARGE FLOV-END; CHGR
7	7429502	1	COVER, FZSLP-FT. PLATE
8	7429602	1	FOOT PLATE, OVERMOLDED
9	3251202	1	M10 X 1.5 X 25MM UNS HEX CS ST ZN
10	3236209	1	M10 X 1.5 X 60 SHCS, LOW HEAD
11	7630101	1	RETAINER, CM/MJ, PULLEY
12	8104502	1	COVER, PULLEY-BOLTED NOTCHED
13	6757701	1	CLIP, CABLE 2-7/8 X 1 X 1
14	3237802	1	PULLEY, 1/4 IN CABLE (T3), 4.5 IN OD
15	9132602	1	LABEL, 1-15 STRAIGHT -CHR
16	8039501	1	LABEL, WARNING TRIANGLE
17	7352002	1	BUMPER, 2-1/8 X 4-5/8
18	3236801	4	NUT, NYLOCK M10 X 1.5 SS
19,20	3236204	4	M10 X 1.5 X 35 SHCS, LOW HEAD
21	3236207	1	M10 X 1.5 X 50 SHCS, LOW HEAD
22	3239602	1	PULLEY 6 IN OD X 10MM ID
23	3236215	2	M10 X 1.5 X 90 SHCS, LOW HEAD

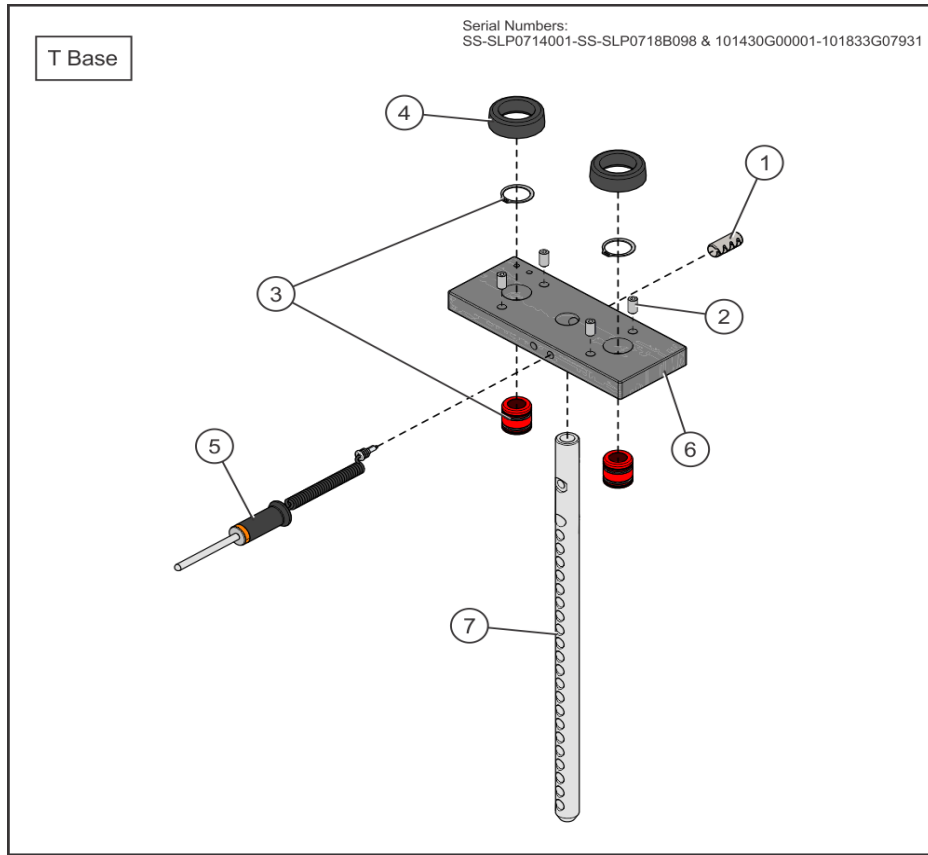
Ref #	Part Number	Qty	Description
24	7961101	2	TUBE, RAIL
25	7444602	2	BUMPER, DONUT
26	3251203	8	M10 X 1.5 X 30MM UNS HEX CS ST ZN
27	9319401	4	COVER, FOOT -STRT
28	9319301	4	FOOT, 2.5 X 4.49 FLOV
29	3254703	8	NUT, M10 X 1.5 HEX ZINC
30	3236803	2	NUT, M12 X 1.75 HEX NYLOCK SS
31	3241401	4	WASHER, FLAT 12MM SS
32	3241315	2	M12 X 1.75 X90MM SHCS, STD HEAD
33	7408828	2	WLDMT, SS-SLP RAIL BRKT -CHR

## Base P-Stack



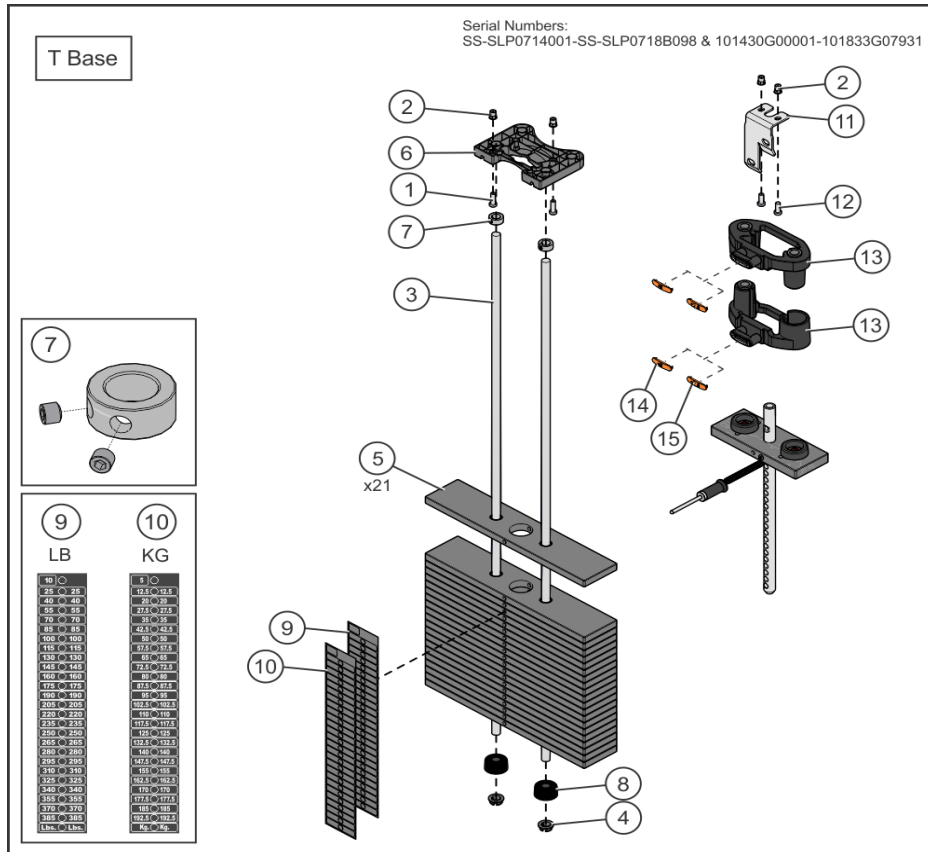
Ref #	Part Number	Qty	Description
1	9407601	21	WGT PL, 3/4IN X 4IN, 15LB
2	7328624	2	GUIDE ROD, .75 OD SOLID X 56.92
3	1015452-0001	1	RETAINER: GUIDE ROD, NYL
4	7337901	2	BUSHING, GUIDE ROD
5	3103301	2	SHAFT COLLAR, 3/4" ID ZINC
6	3238601	2	M10X1.5 BLIND THREADED INSERT (HEX)
7	3236202	2	M10 X 1.5 X 25 SHCS, LOW HEAD
8	1004349-0003	2	SPACER, WGT STK, 4 PL8
9	7352101	2	CUSHION, WEIGHT STACK
10	1010765-0001	2	WASHER: 0.80 OD, 11GA
11	9475101	1	LABEL, 3/4 IN WGT STACK, 385 LB
12	9475401	1	LABEL, 3/4 IN WGT STACK, 192.5 KG

# Base T-Stack Head Plate Assy (previous)



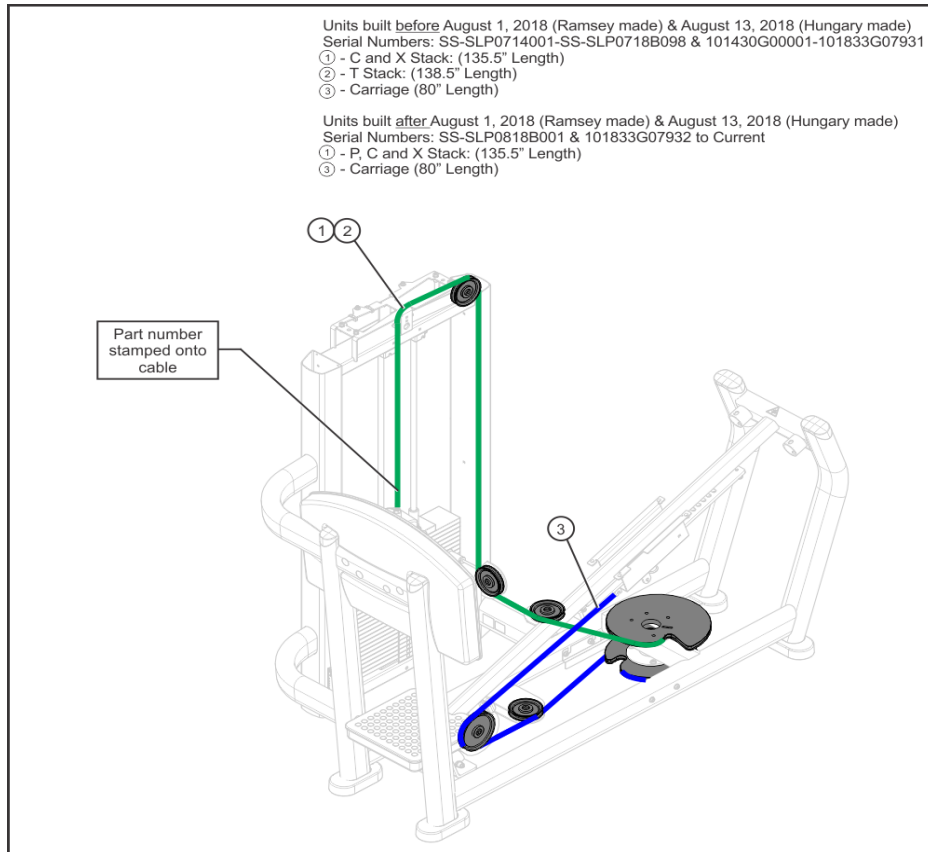
Ref #	Part Number	Qty	Description
1	3236001	1	BUSHING, SPRING PIN
2	3240501	4	M10 X 1.5 X 20 HXS NO CUP ST BO
3	7338001	2	BUSHING, HEADPLATE
4	7767602	2	BUMPER, INCREMENT WT -BLK
5	1003679-0003	1	ASSY, WGT STK SEL PIN -YEL
6	9427401	1	HEADPLATE, WT. STACK, 10LB
7	9434203	1	BAYONET, 21 PLATE

# Base T-Stack (previous)



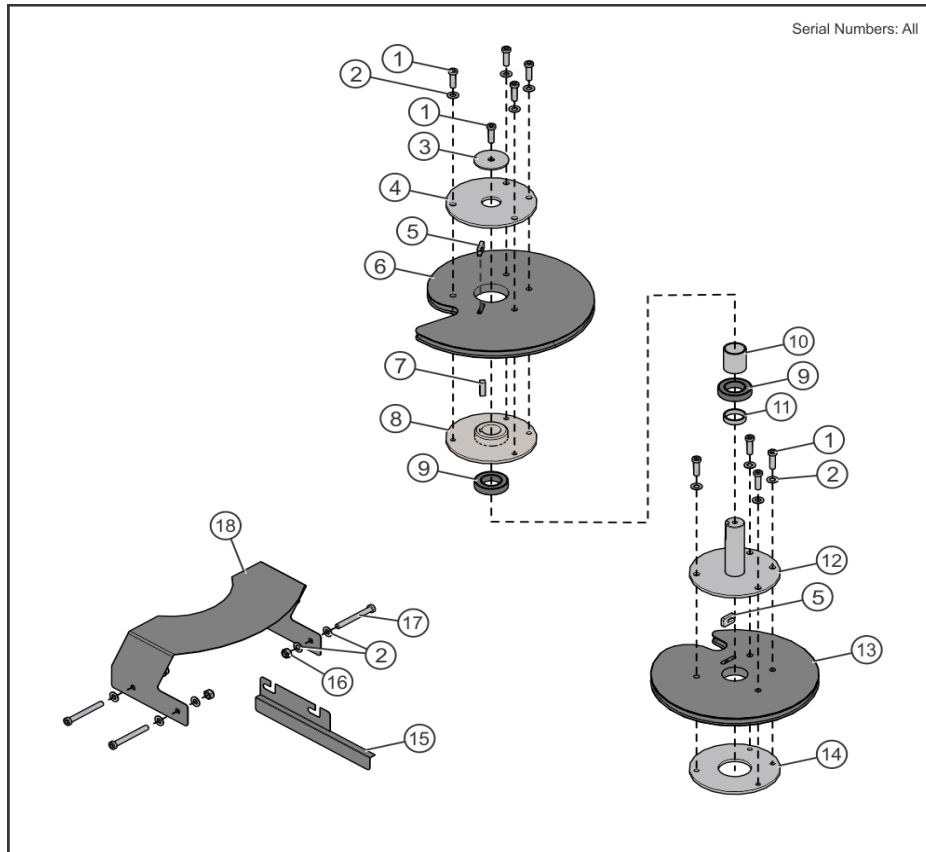
Ref #	Part Number	Qty	Description
1	3236203	2	M10 X 1.5 X 30 SHCS, LOW HEAD
2	3238601	4	M10X1.5 BLIND THREADED INSERT (HEX)
3	7328624	2	GUIDE ROD, .75 OD SOLID X 56.92
4	7337901	2	BUSHING, GUIDE ROD
5	9407601	21	WGT PL, 3/4IN X 4IN, 15LB
6	1015452-0001	1	RETAINER: GUIDE ROD, NYL
7	3103301	2	SHAFT COLLAR, 3/4" ID ZINC
8	7352101	2	CUSHION, WEIGHT STACK
9	9475101	1	LABEL, 3/4 IN WGT STACK, 385 LB
10	9475401	1	LABEL, 3/4 IN WGT STACK, 192.5 KG
11	9430801	1	BRKT, INC WGT STRIKER
12	3236202	2	M10 X 1.5 X 25 SHCS, LOW HEAD
13	9455403	2	ASSY, DD INC WGT -YEL
14	9462303	1	CAP, DD INC WGT, YEL -LBS
15	9462403	1	CAP, DD INC WGT, YEL -KG

# Cables



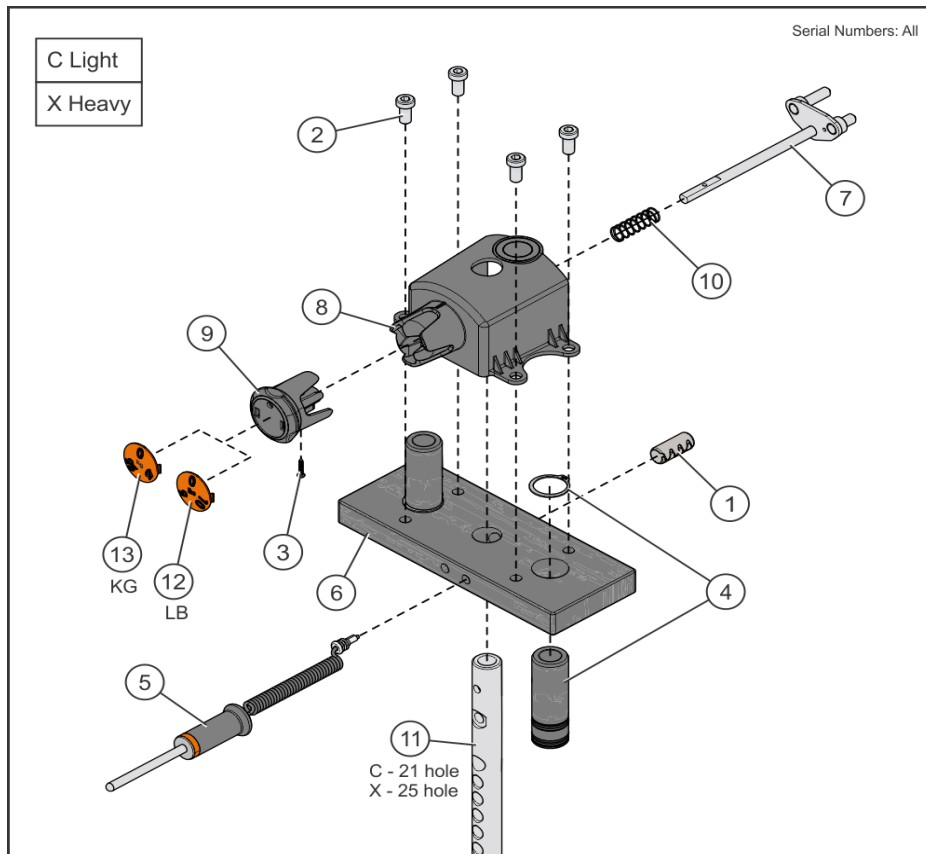
Ref #	Part Number	Qty	Description
1	9496201	1	CABLE, SS-SLP-1, DIAL
2	9496202	1	CABLE, SS-SLP-1, DROP
3	9496101	1	CABLE, SS-SLP-2

**Cams**



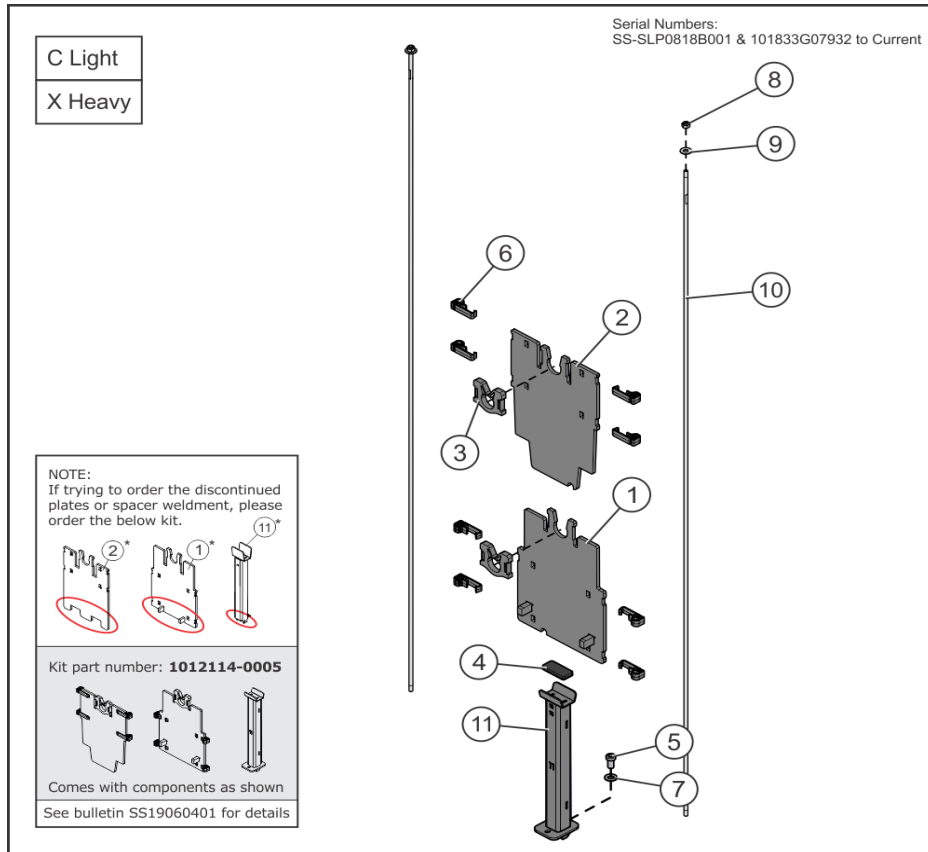
Ref #	Part Number	Qty	Description
1	3236204	9	M10 X 1.5 X 35 SHCS, LOW HEAD
2	3236601	15	WASHER, 3/8 SAE STAINLESS STEEL
3	8722528	1	PLATE, SPL STEEL COVER - CHR
4	7511228	1	PLATE, SS-SLP TORQUE -CHR
5	7342201	2	PLATE, CABLE END
6	7414502	1	CAM SS-SLP OBLONG
7	7511601	1	KEY, .375 SQUARE X 1.25
8	7511395	1	WLDMT, FZ/PS-SLP HUB SG
9	3243201	2	BEARING, 6007 BALL
10	7511502	1	SPACER, FZ/SP INTERNAL X 1.845
11	7511501	1	SPACER, FZ/PS INTERNAL X .403
12	7511428	1	WLDMT, SS-SLP CAM SHAFT -CHR
13	7414402	1	CAM FZ-PS-SLP RND
14	7511101	1	PLATE, FZ/PS-SLP-CAM THRD
15	8161128	1	BRKT, SS-SLP CABLE RETAINER -CHR
16	3236801	4	NUT, NYLOCK M10 X 1.5 SS
17	3236214	4	M10 X 1.5 X 85 SHCS, LOW HEAD
18	7409828	1	SHIELD, SS-SLP CAM -CHR

# C and X Head Plate



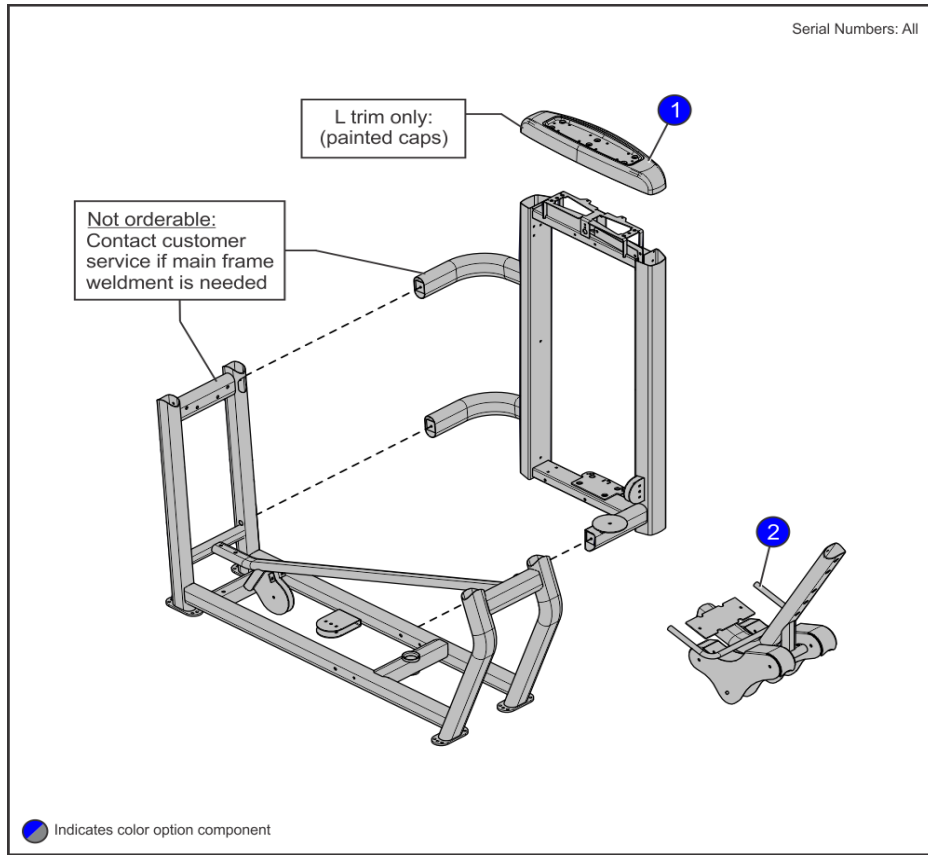
Ref #	Part Number	Qty	Description
1	3236001	1	BUSHING, SPRING PIN
2	3236201	4	M10 X 1.5 X 20 SHCS, LOW HEAD
3	3275601	1	SCREW, 6 X 3/4 DIN PHL PAN AB ST ZB
4	9296001	2	BUSHING, HEADPLATE, LONG
5	1003679-0003	1	ASSY, WGT STK SEL PIN -YEL
6	9431101	1	HEADPLATE, WT. STACK, 20LB
7	1010800-0001	1	WLDMT, INC WGT PIN
8	1017209-0001	1	HOUSING: INC WEIGHT
9	9443201	1	KNOB, INC WEIGHT
10	9443301	1	SPRING, INC WGT PIN
11	9434203	1	BAYONET, 21 PLATE
11	9426003	1	BAYONET, 25 PLATE
12	9431403	1	CAP, SELECTOR KNOB -LBS
13	9450103	1	CAP, SELECTOR KNOB -KGS

# C and X Increment Weights



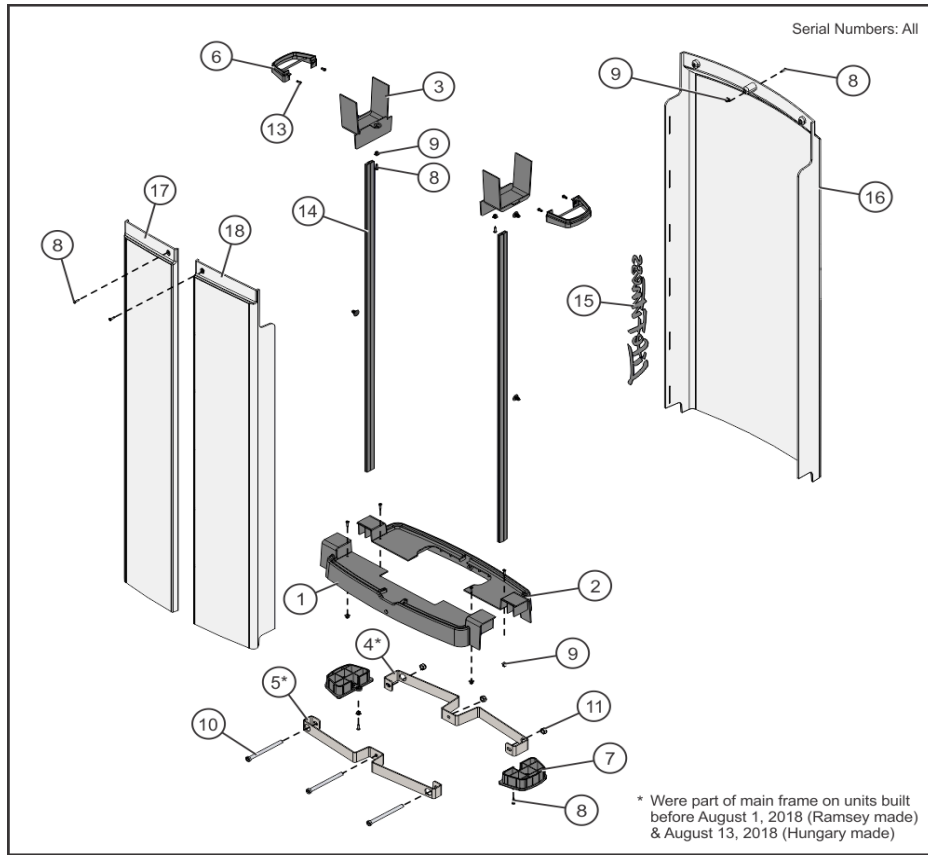
Ref #	Part Number	Qty	Description
1	1010971-2801	1	WLDMT: INC WEIGHT, 5LB, REAR -CHR
2	1010970-2801	1	PLATE: INC WEIGHT, 5LB, FRONT, 1/4" -CHR
3	1008920-0001	2	GUARD: INCREMENT WEIGHT, 0.25
4	1008552-0001	1	BUMPER: EA FOAM, INC WEIGHT
5	3236201	1	M10 X 1.5 X 20 SHCS, LOW HEAD
6	1010803-0001	8	GUIDE ROD ASSY: INCR WT, 1/4", CHARCOAL GRAY
7	3236601	1	WASHER, 3/8 SAE STAINLESS STEEL
8	3102806	2	NUT, NYLOCK 1/4-20
9	3102506	2	WASHER, FLAT 1/4 ID ZN
10	1008192-0002	2	GUIDE ROD: 0.25 OD SOLID, 54.75"
11	1018163-2801	1	WLDMT: BRACKET, INC WEIGHT SPACER, 11" -CHR

# Frame Painted Items



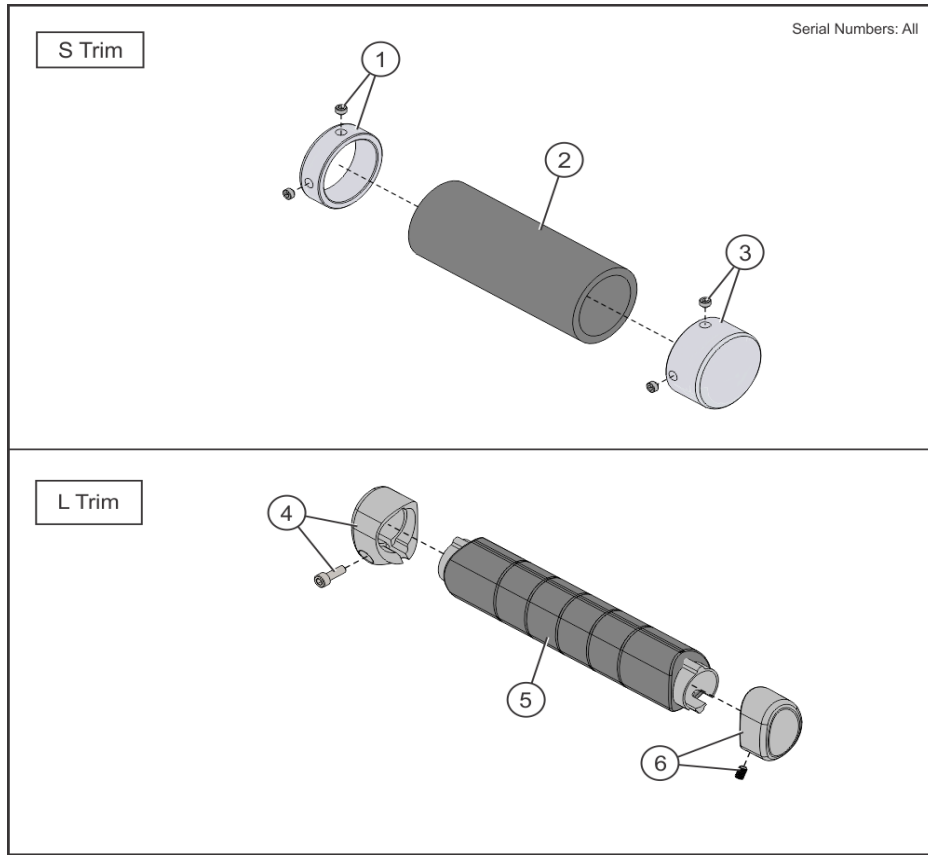
Ref #	Part Number	Qty	Description
1	9412600	1	CAP, SS, CAST Custom
2	7408101	1	Weldment FZSLP Seat

**Full Shroud**



Ref #	Part Number	Qty	Description
1	9410801	1	COVER, TOWER BOTTOM -FRONT
2	1007064-0001	1	COVER: TOWER BOTTOM, REAR
3	9415701	2	COVER, SS, TWR
4	1007623-0001	1	BRACKET: TOWER GUARD, REAR
5	1007622-0001	1	BRACKET: TOWER GUARD, FRONT
6	9415801	2	GASKET, TRAP TUBE
7	9412701	2	ASSY, TRAP TUBE, CAP -BTM
8	3275801	11	SCREW, 8 X 3/4 DIN PHL PAN AB ST ZB
9	0017-00042-1147	9	GROMMET: SCREW, 8 OR 10
10	3236220	3	M10 X 1.5 X 130 SHCS, LOW HEAD
11	3236801	3	NUT, NYLOCK M10 X 1.5 SS
12	1006620-0001	4	RETAINER: PANEL, 9/32 X 1/2 NYL
13	0017-00101-1587	4	RVT 201X0413X.354 T NY NO
14	9414602	2	SHROUD EXTRUSION - LONG
15	9489101	1	LABEL, LIFE FITNESS, 20IN.
16	9489002	1	SHROUD, SS, REAR, TLL
16	1003205-0029	1	SHROUD, SS, REAR, TLL, ABS-PBCF
17	9410602	1	SHROUD, TOWER FRONT, LT - LONG
17	1003204-0029	1	SHROUD, SS, FNT, LT, TLL, ABS-PBCF
18	9410702	1	SHROUD, TOWER FRONT, RT - LONG
18	1003203-0029	1	SHROUD, SS, FNT, RT, TLL, ABS-PBCF

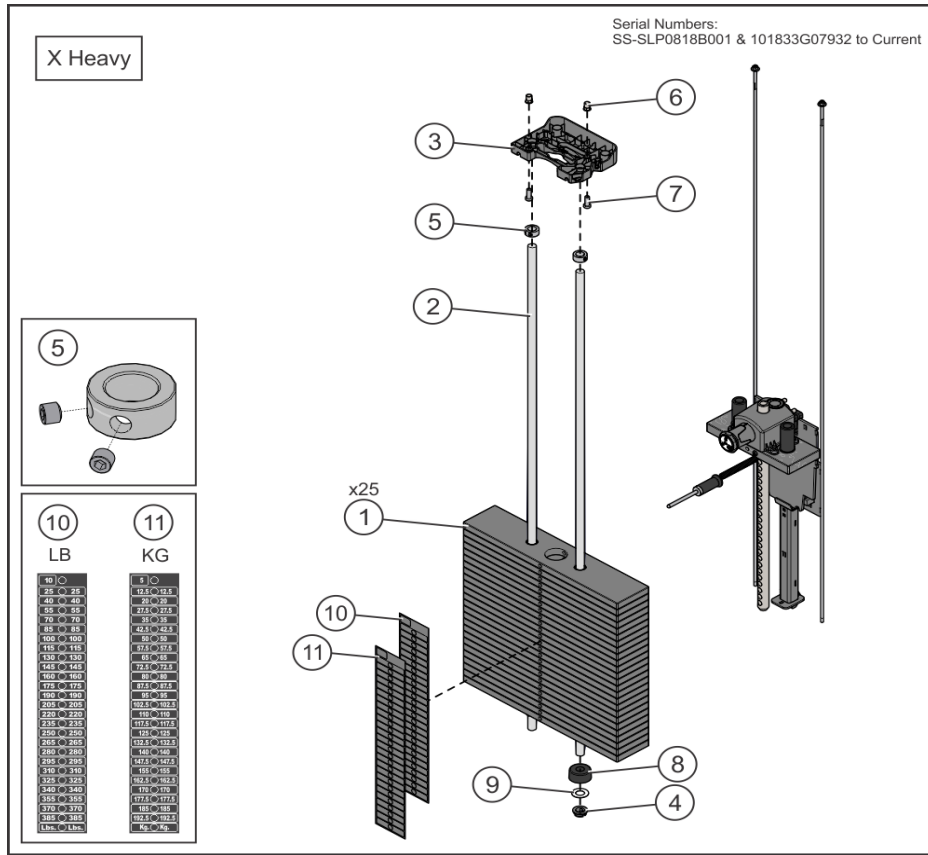
# Grips



Serial Numbers: All

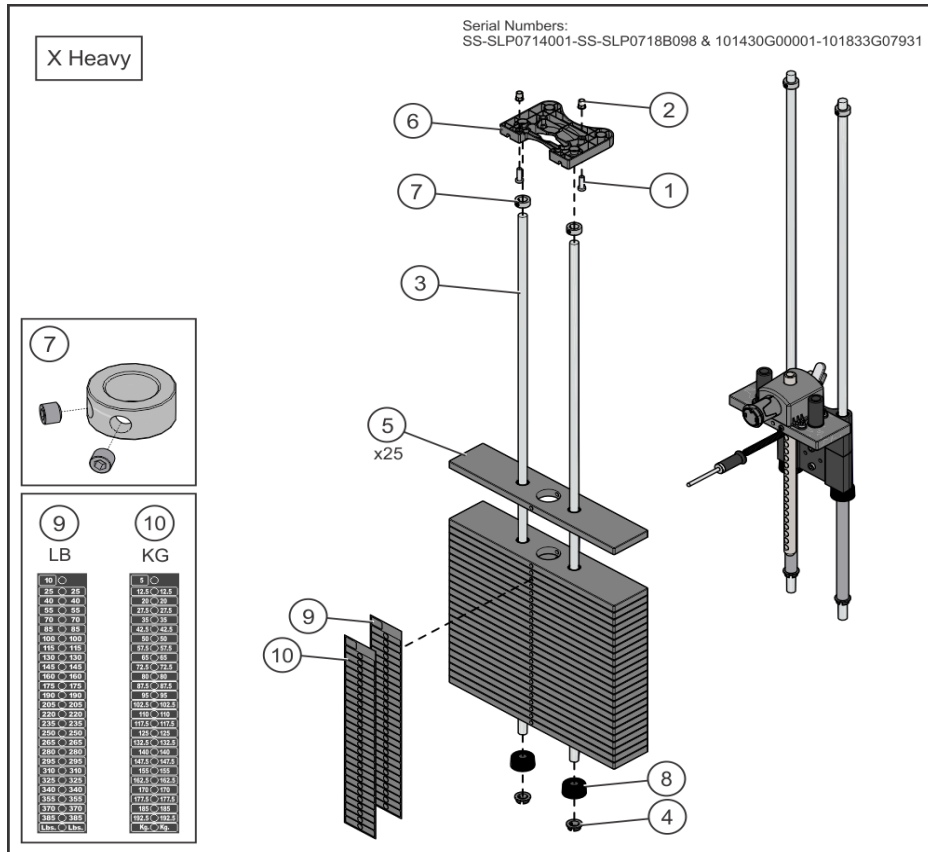
Ref #	Part Number	Qty	Description
1	7662801	1	RING, GRIP 1.25 OD
2	3235806	1	GRIP, 1.25 OD X .125 WALL OPEN END
3	7662901	1	CAP; GRIP 1.25 OD
4	1001760-0001	1	ASSY, COLLAR, ERGO GRIP
5	9453001	1	GRIP, ERGO, OVERMOLD, 6.5
6	1001761-0001	1	ASSY, CAP, GRIP

## Heavy X-Stack



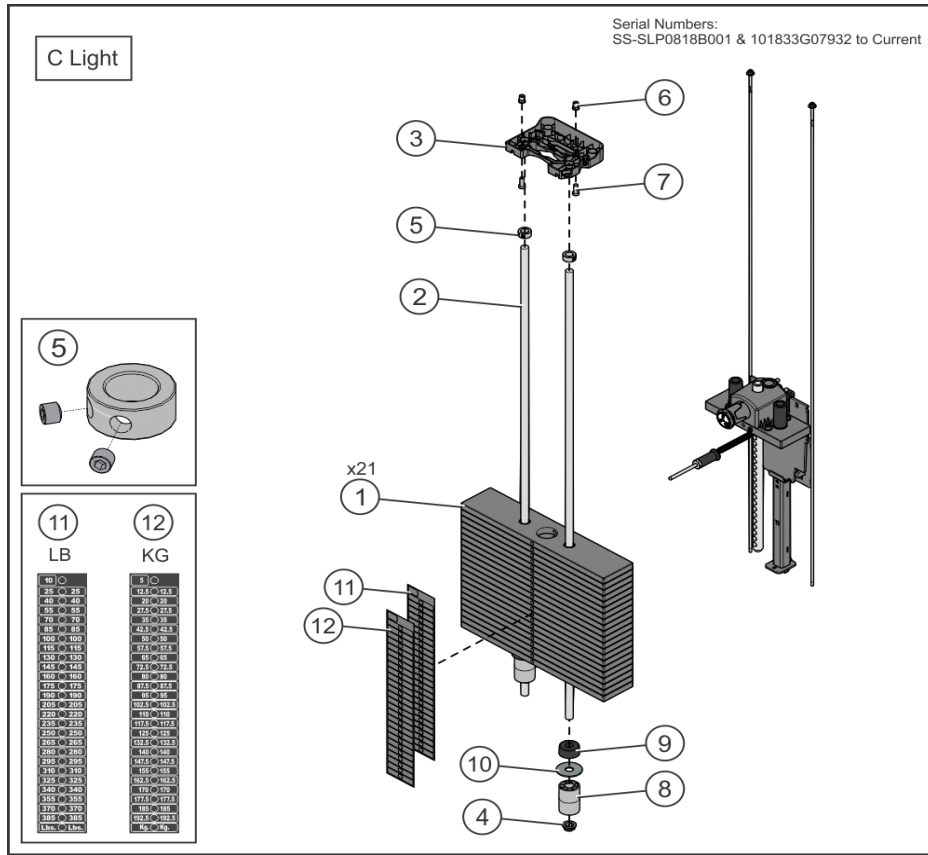
Ref #	Part Number	Qty	Description
1	9407601	25	WGT PL, 3/4IN X 4IN, 15LB
2	7328624	2	GUIDE ROD, .75 OD SOLID X 56.92
3	1015452-0001	1	RETAINER: GUIDE ROD, NYL
4	7337901	2	BUSHING, GUIDE ROD
5	3103301	2	SHAFT COLLAR, 3/4" ID ZINC
6	3238601	2	M10X1.5 BLIND THREADED INSERT (HEX)
7	3236202	2	M10 X 1.5 X 25 SHCS, LOW HEAD
8	7352101	2	CUSHION, WEIGHT STACK
9	7351001	2	SPACER, INC WT STACK
10	9475101	1	LABEL, 3/4 IN WGT STACK, 385 LB
11	9475401	1	LABEL, 3/4 IN WGT STACK, 192.5 KG

# Heavy X-Stack (previous)



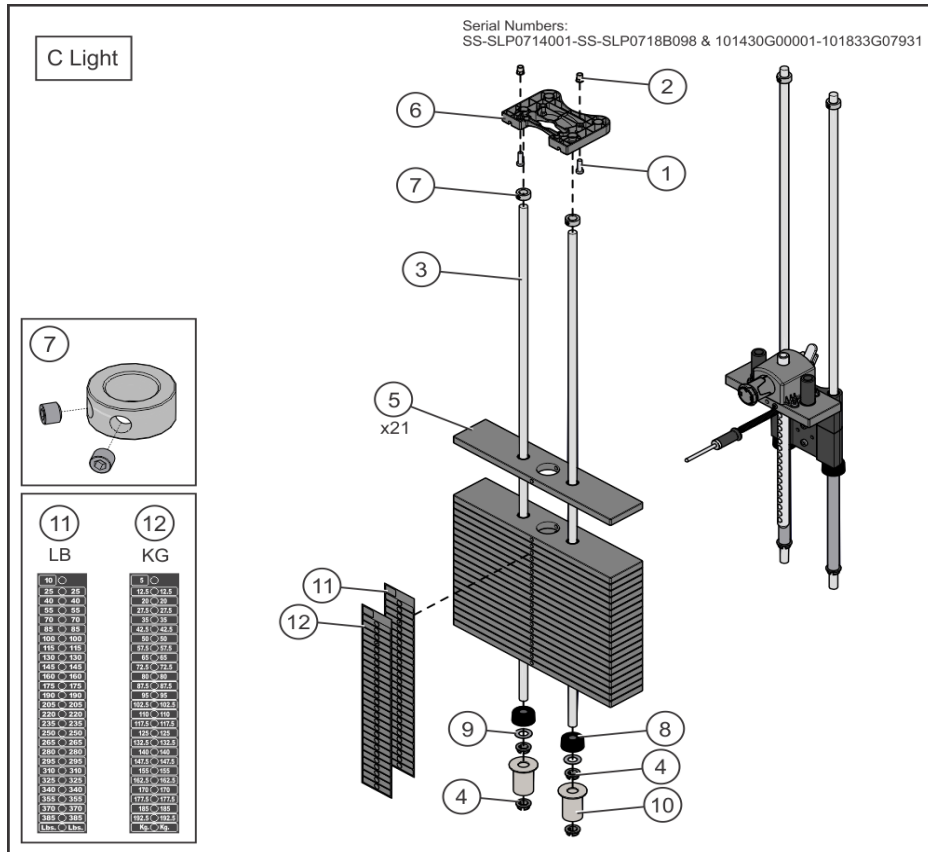
Ref #	Part Number	Qty	Description
1	3236202	2	M10 X 1.5 X 25 SHCS, LOW HEAD
2	3238601	2	M10X1.5 BLIND THREADED INSERT (HEX)
3	7328624	2	GUIDE ROD, .75 OD SOLID X 56.92
4	7337901	2	BUSHING, GUIDE ROD
5	9407601	25	WGT PL, 3/4IN X 4IN, 15LB
6	1015452-0001	1	RETAINER: GUIDE ROD, NYL
7	3103301	2	SHAFT COLLAR, 3/4" ID ZINC
8	7352101	2	CUSHION, WEIGHT STACK
9	9475101	1	LABEL, 3/4 IN WGT STACK, 385 LB
10	9475401	1	LABEL, 3/4 IN WGT STACK, 192.5 KG

# Light C-Stack



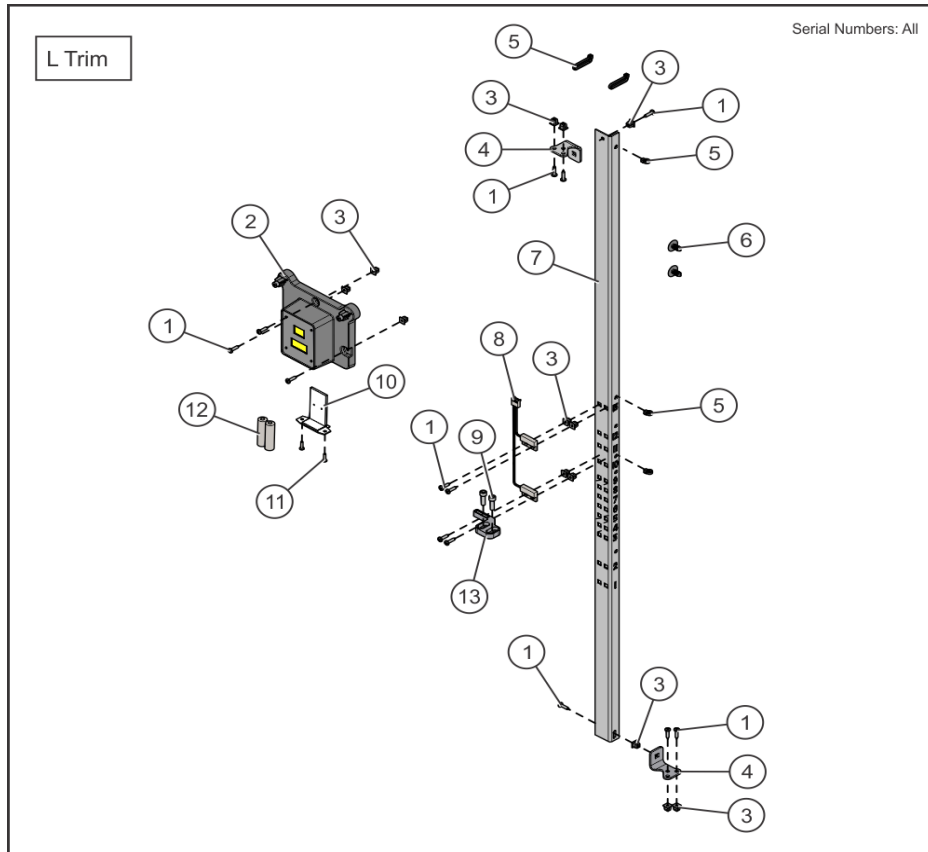
Ref #	Part Number	Qty	Description
1	9407601	21	WGT PL, 3/4IN X 4IN, 15LB
2	7328624	2	GUIDE ROD, .75 OD SOLID X 56.92
3	1015452-0001	1	RETAINER: GUIDE ROD, NYL
4	7337901	2	BUSHING, GUIDE ROD
5	3103301	2	SHAFT COLLAR, 3/4" ID ZINC
6	3238601	2	M10X1.5 BLIND THREADED INSERT (HEX)
7	3236202	2	M10 X 1.5 X 25 SHCS, LOW HEAD
8	1004349-0003	2	SPACER, WGT STK, 4 PL8
9	7352101	2	CUSHION, WEIGHT STACK
10	1010765-0001	2	WASHER: 0.80 OD, 11GA
11	9475101	1	LABEL, 3/4 IN WGT STACK, 385 LB
12	9475401	1	LABEL, 3/4 IN WGT STACK, 192.5 KG

# Light C-Stack (previous)



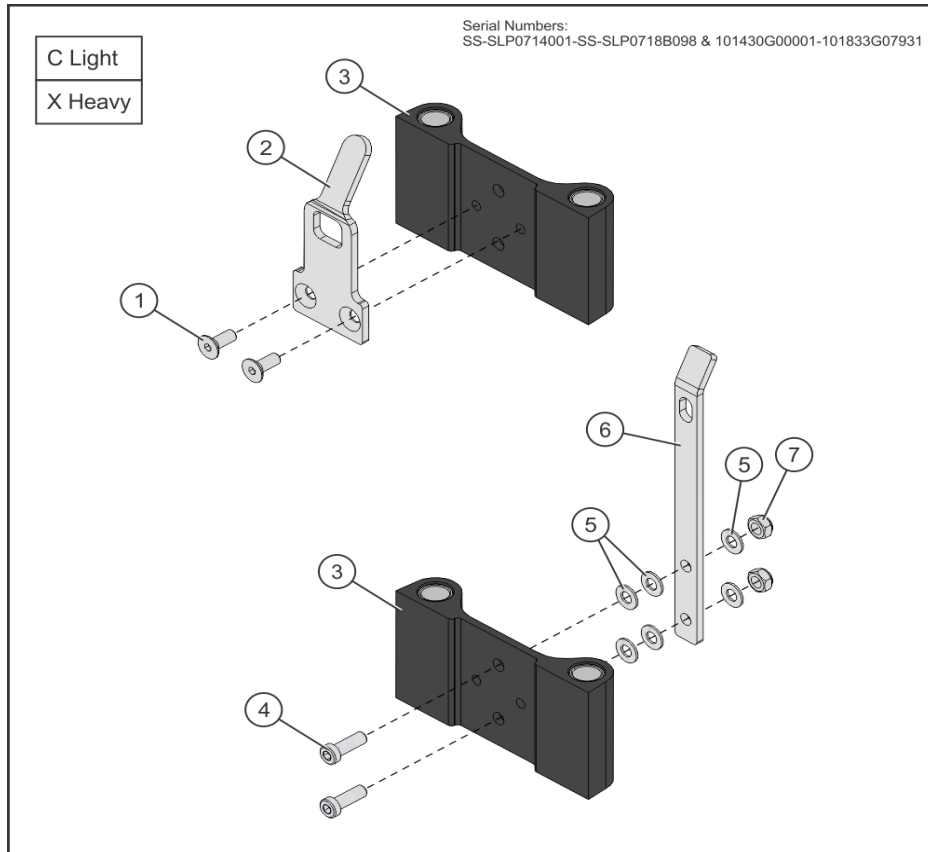
Ref #	Part Number	Qty	Description
1	3236202	2	M10 X 1.5 X 25 SHCS, LOW HEAD
2	3238601	2	M10X1.5 BLIND THREADED INSERT (HEX)
3	7328624	2	GUIDE ROD, .75 OD SOLID X 56.92
4	7337901	4	BUSHING, GUIDE ROD
5	9407601	21	WGT PL, 3/4IN X 4IN, 15LB
6	1015452-0001	1	RETAINER: GUIDE ROD, NYL
7	3103301	2	SHAFT COLLAR, 3/4" ID ZINC
8	7352101	2	CUSHION, WEIGHT STACK
9	7351001	2	SPACER, INC WT STACK
10	9495913	2	WLDMT, WGT STK SPACER X 3.00 -CHR
11	9475101	1	LABEL, 3/4 IN WGT STACK, 385 LB
12	9475401	1	LABEL, 3/4 IN WGT STACK, 192.5 KG

# L Trim Rep Counter



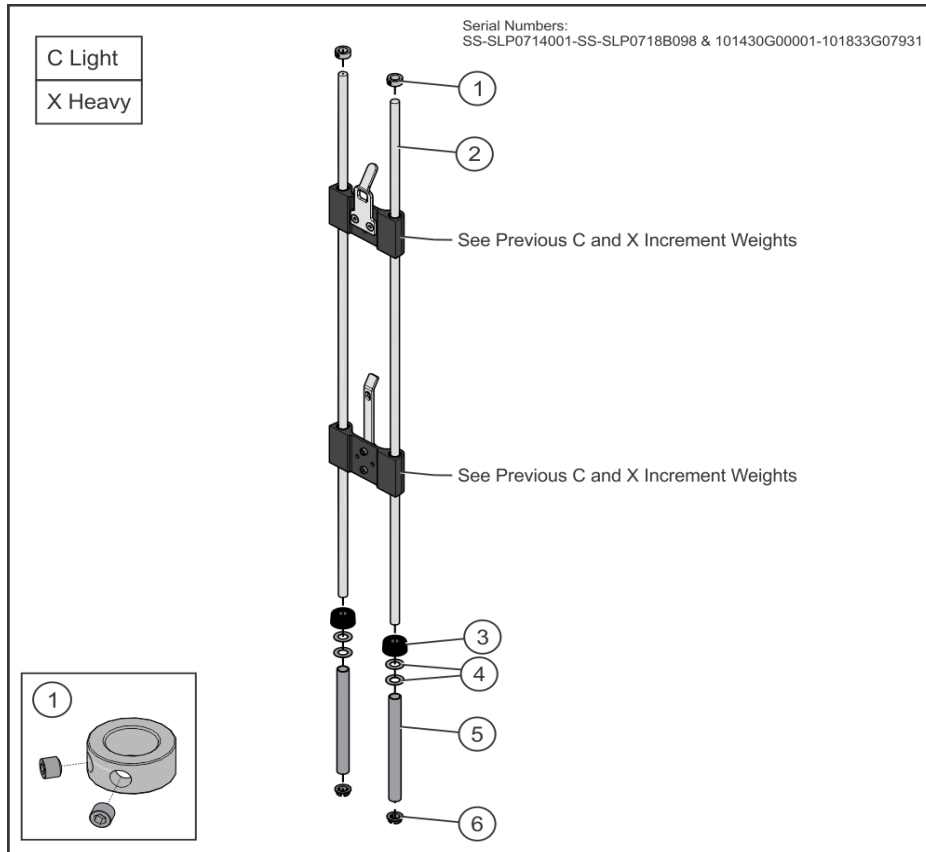
Ref #	Part Number	Qty	Description
1	3275801	13	SCREW, 8 X 3/4 DIN PHL PAN AB ST ZB
2,8	1008199-0001	2	ASSY: REP COUNTER/SWITCH/MAGNET
3	0017-00042-1147	13	GROMMET: SCREW, 8 OR 10
4,7	1007269-0028	3	BRACKET: RAIL MOUNT, REP CNTR -CHR
5	3276501	5	CABLE TIE 11 IN.
6	1006620-0001	2	RETAINER: PANEL, 9/32 X 1/2 NYL
9	3241701	2	M6 X 1 X 20MM SHCS, STD HEAD
10	9436401	1	DOOR, BATTERY PACK MOUNT
11	3226003	2	6-20 X 8 PHL PAN PLT ST BZ
12	3276401	2	BATTERY, AA
13	1007177-0001	1	ASSY: MAGNET, REP CNTR DCI

# Previous C and X Increment Weights



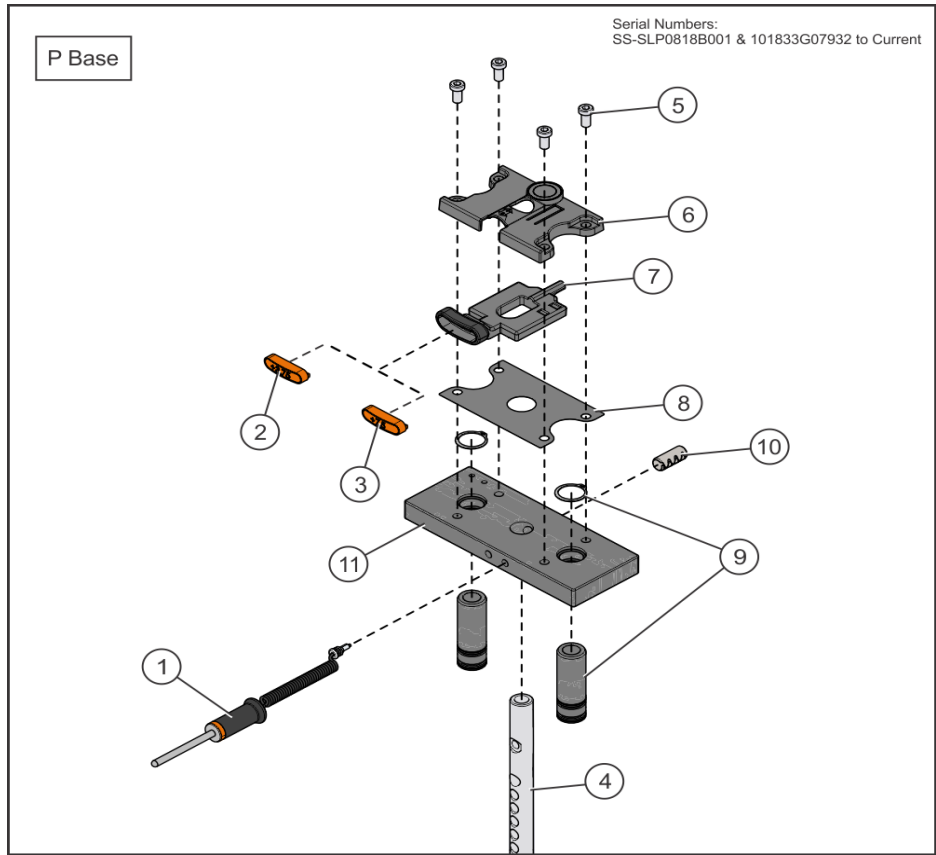
Ref #	Part Number	Qty	Description
1	3238302	2	SCREW, M10 FLTHD X 25MM
2	9428201	1	BRKT, INC WGT -5LB
3	9439701	2	ASSY, INC WGT, SUB
4	3275503	2	SCREW, M10 X 1.5 X 30 SHCS, LOW HEAD -NO PATCH
5	3236601	4	WASHER, 3/8 SAE STAINLESS STEEL
6	1001007-0001	1	BRKT, INC WGT -10LB
7	3236801	2	NUT, NYLOCK M10 X 1.5 SS

# Previous C and X Increment Weight Assembly



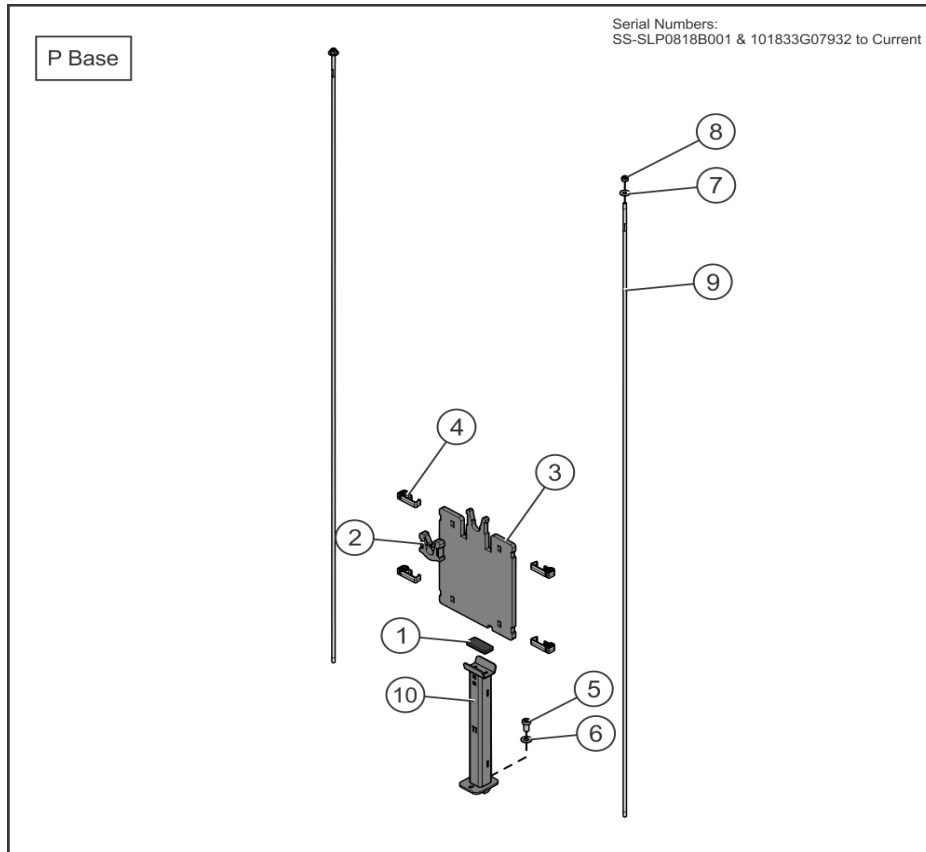
Ref #	Part Number	Qty	Description
1	3103301	2	SHAFT COLLAR, 3/4" ID ZINC
2	7328624	2	GUIDE ROD, .75 OD SOLID X 56.92
3	7352101	2	CUSHION, WEIGHT STACK
4	7351001	4	SPACER, INC WT STACK
5	7328703	2	SPACER, INC WT STACK 25 PLATE
6	7337901	2	BUSHING, GUIDE ROD

# P-Stack Head Plate Assy



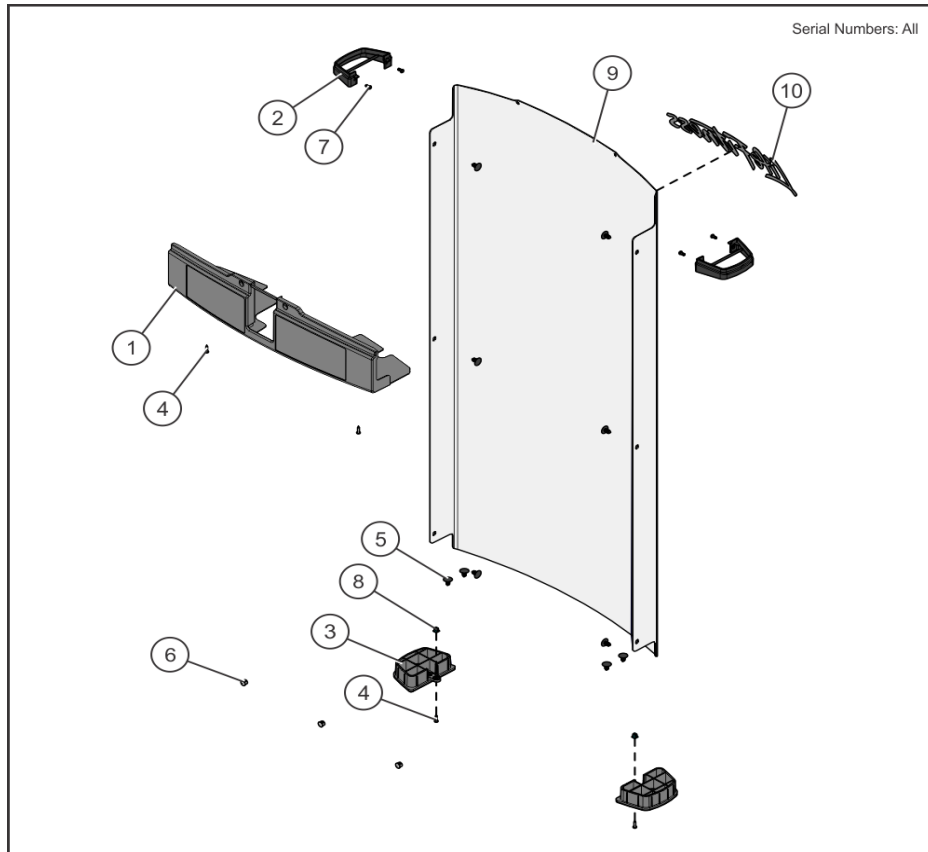
Ref #	Part Number	Qty	Description
1	1003679-0003	1	ASSY, WGT STK SEL PIN -YEL
2	1006751-0001	1	CAP: 3.75 KG INC WEIGHT - KG
3	1006750-0001	1	CAP, 7.5 LB INC WEIGHT - LBS
4	9434203	1	BAYONET, 21 PLATE
5	3236202	4	M10 X 1.5 X 25 SHCS, LOW HEAD
6	1017210-0001	1	HOUSHING: 7.5LB INC WEIGHT
7	1008675-0001	1	HANDLE: 7.5LB INC WT, PLASTIC
8	1006707-0001	1	DIE CUT: 7.5LB INC WEIGHT, NYLON SHEET, 0.020"
9	9296001	2	BUSHING, HEADPLATE, LONG
10	3236001	1	BUSHING, SPRING PIN
11	9427401	1	HEADPLATE, WT. STACK, 10LB

# P-Stack Increment Weight



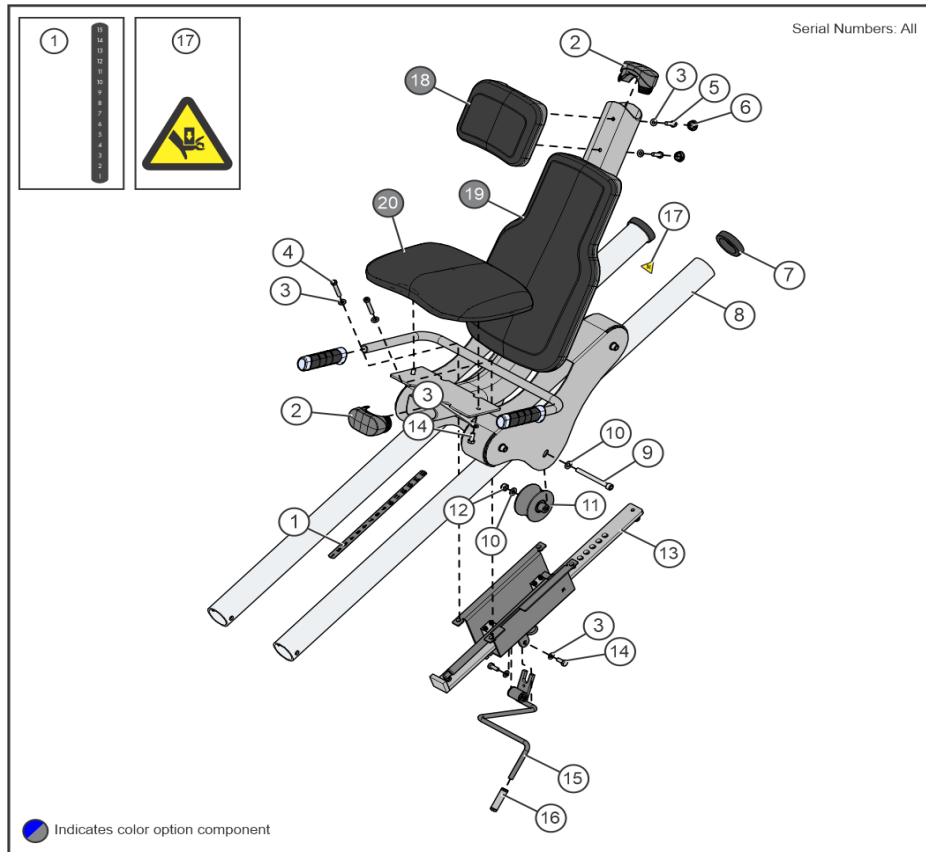
Ref #	Part Number	Qty	Description
1	1008552-0001	1	BUMPER: EA FOAM, INC WEIGHT
2	1008566-0001	1	GUARD: INCREMENT WEIGHT, 0.375
3	1008366-0028	1	PLATE: INCREMENT WEIGHT, 7.5LB - CHR
4	1010805-0001	4	GUIDE ROD ASSY: INCR WT, 3/8", CHARCOAL GRAY
5	3236201	1	M10 X 1.5 X 20 SHCS, LOW HEAD
6	3236601	1	WASHER, 3/8 SAE STAINLESS STEEL
7	3102506	2	WASHER, FLAT 1/4 ID ZN
8	3102806	2	NUT, NYLOCK 1/4-20
9	1008192-0003	2	GUIDE ROD: 0.25 OD SOLID, 61.308"
10	1018163-2801	1	WLDMT: BRACKET, INC WEIGHT SPACER, 11" -CHR

# Rear Shroud



Ref #	Part Number	Qty	Description
1	1018509-0001	1	ASSY: TOP TRIM, PLACARD MNT
2	9415801	2	GASKET, TRAP TUBE
3	9412701	2	ASSY, TRAP TUBE, CAP -BTM
4	3275801	2	SCREW, 8 X 3/4 DIN PHL PAN AB ST ZB
5	1006620-0001	10	RETAINER: PANEL, 9/32 X 1/2 NYL
6	3237405	3	PLUG, 7/16 IN HOLE
7	0017-00101-1587	4	RVT 201X0413X.354 T NY NO
8	0017-00042-1147	2	GROMMET: SCREW, 8 OR 10
9	1009335-0002	1	SHROUD: REAR, W/LOGO, TLL
10	1008491-0001	1	LABEL, LIFE FITNESS, 16IN

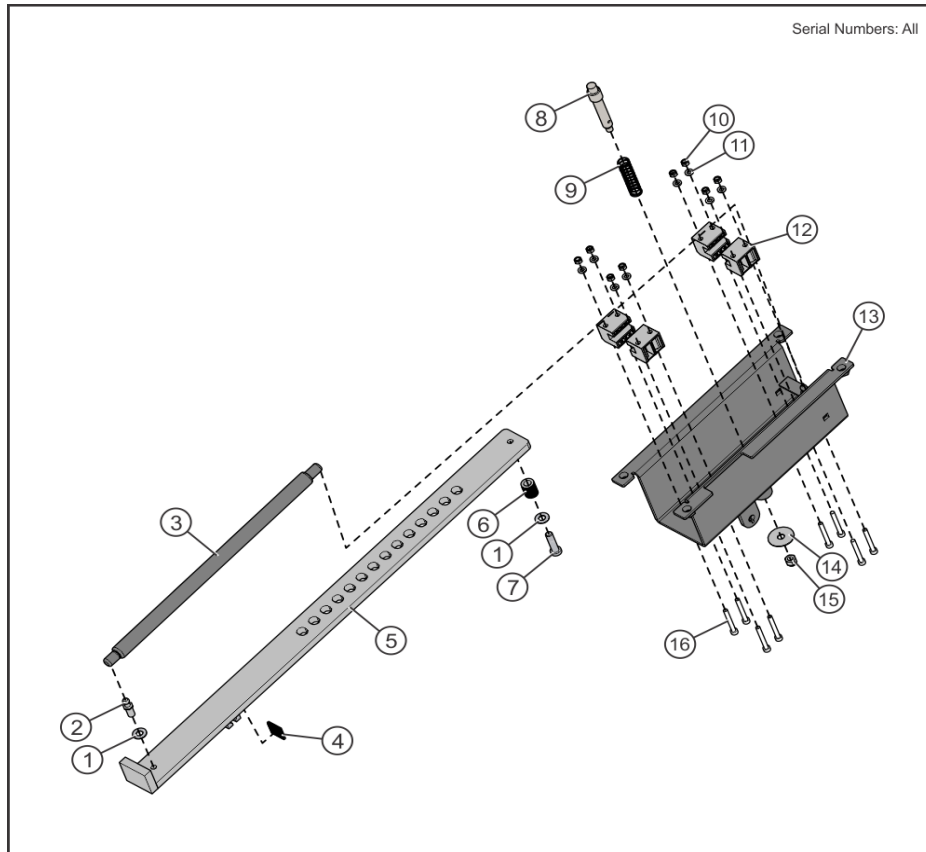
### Seat



Ref #	Part Number	Qty	Description
1	9132602	1	LABEL, 1-15 STRAIGHT -CHR
2	7333902	2	CAP, LARGE FLOV-END; CHGR
3	3236601	11	WASHER, 3/8 SAE STAINLESS STEEL
4	3236209	2	M10 X 1.5 X 60 SHCS, LOW HEAD
5	3236207	5	M10 X 1.5 X 50 SHCS, LOW HEAD
6	3237407	5	PLUG, 1 IN HOLE
7	7444602	2	BUMPER, DONUT
8	7961101	2	TUBE, RAIL
9	3241320	6	M12 X1.75 X120MM SHCS, STD HEAD
10	3241401	12	WASHER, FLAT 12MM SS
11	3251502	6	ROLLER ASSY
12	3236803	6	NUT, M12 X 1.75 HEX NYLOCK SS
13	9064301	1	WLDMT, FZ/PS-SLP ADJ PLATED
14	3251202	1	M10 X 1.5 X 25MM UNS HEX CS ST ZN
15	7450702	1	ASSY, SS-SLP SEAT HANDLE
16	9461503	1	HANDLE, REMOTE, YELLOW
17	8039501	1	LABEL, WARNING TRIANGLE
18	1000017-0099	1	PAD, HEAD REST CUS, SNGL STITCH- Custom
18	1000017-0199	1	PAD, HEAD REST CUS, DBL STITCH- Custom
19	1000018-0199	1	PAD, LARGE BACK CUS, DBL STITCH- Custom
19	1000018-0099	1	PAD, LARGE BACK CUS, SNGL STITCH- Custom
20	1000000-0099	1	PAD, LARGE CHAIR CUS, SNGL STITCH- Custom

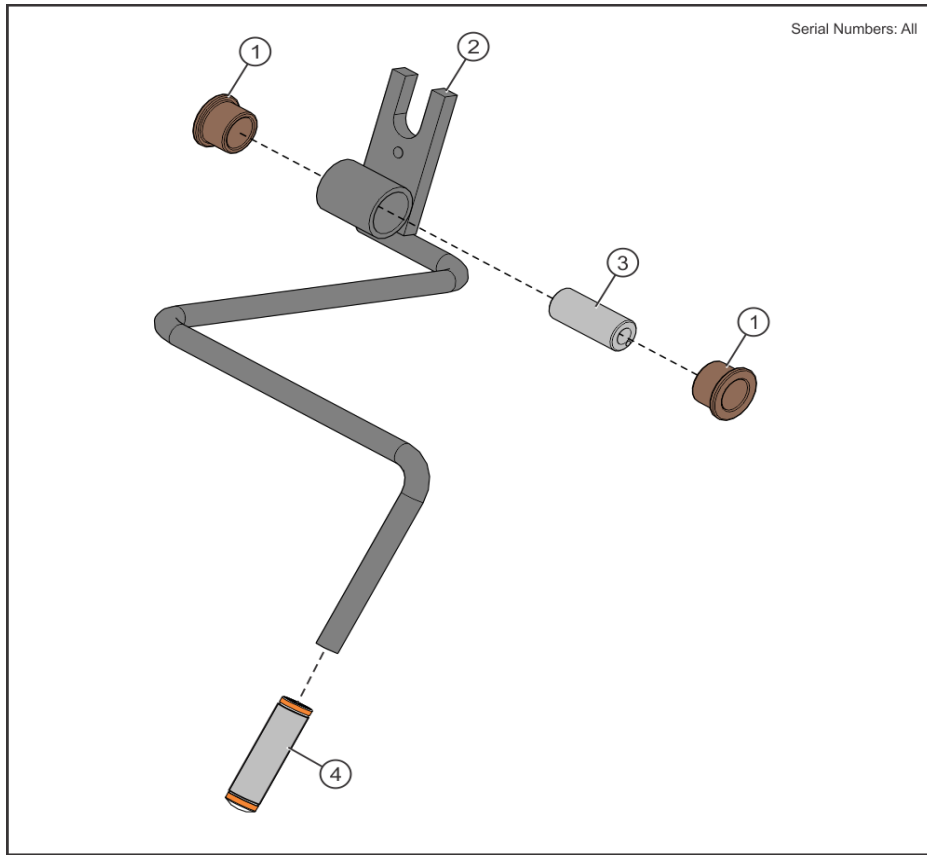
<b>Ref #</b>	<b>Part Number</b>	<b>Qty</b>	<b>Description</b>
20	1000000-0199	1	PAD, LARGE CHAIR CUS, DBL STITCH- Custom

# Seat Adjust



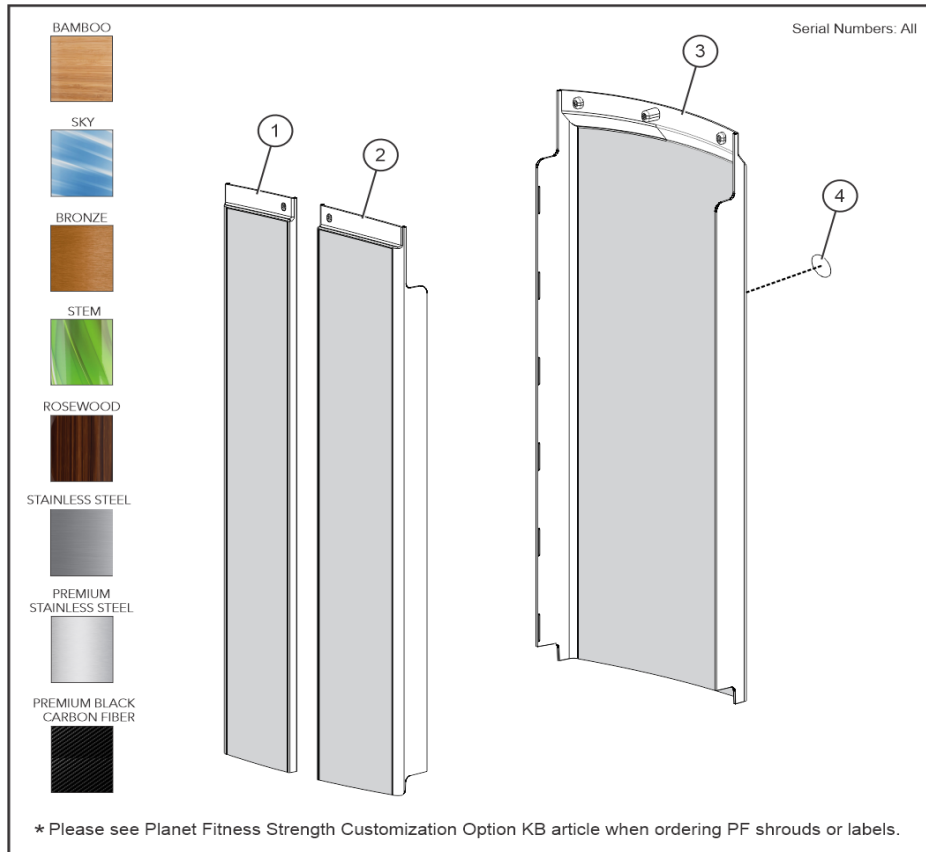
Ref #	Part Number	Qty	Description
1	3236601	2	WASHER, 3/8 SAE STAINLESS STEEL
2	7414301	1	STUD, M10 BALL END M10 X 1.5
3	3272301	1	SPRING: GAS, 135N X 350MM
4	6140701	1	GLIDE, 1 X 1
5	9064301	1	WLDMT, FZ/PS-SLP ADJ PLATED
6	7354301	1	SPACER, 7/16 ID X 1 OD X 1
7	3236205	1	M10 X 1.5 X 40 SHCS, LOW HEAD
8	7351301	1	PIN, PULL X 4.375
9	7351501	1	SPRING; PULL PIN LARGE
10	3236802	8	NUT, M6 X 1 HEX NYLOCK SS
11	3241801	8	WASHER, FLAT 6MM SS
12	7778501	4	BLOCK, FZ/PS-SLP
13	9064428	1	WLDMT, SS-SLP SEAT ADJ -CHR
14	3236701	1	WSHR, FENDER 3/8 ID X 1.5 OD SS
15	3102802	1	NUT, NYLOCK 3/8-16
16	3241707	8	M6 X 1 X 50MM SHCS, STD HEAD

**Seat Handle**



Ref #	Part Number	Qty	Description
1	3104901	2	BEARING, FLG .75 ID X 1.00 OD
2	7412228	1	WLDMT, SS-SLP LEVER -CHR
3	7324802	1	SHAFT, TAPPED 0.75 DIA X 1.80
4	9461503	1	HANDLE, REMOTE, YELLOW

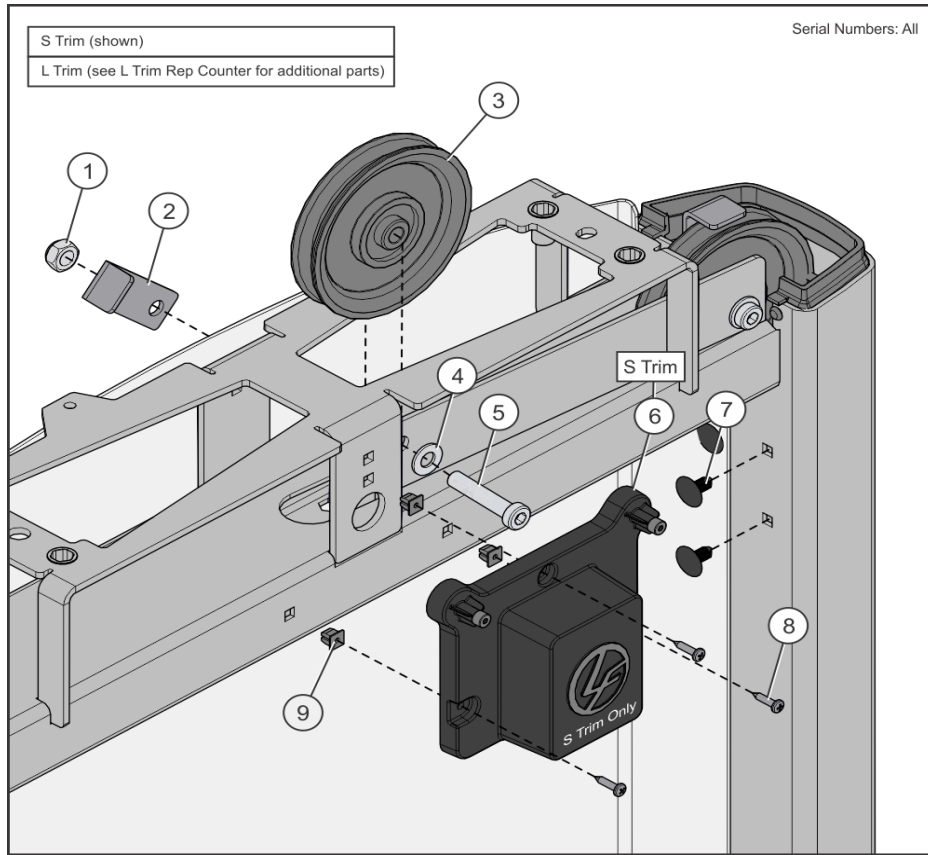
## Shroud Wraps



Ref #	Part Number	Qty	Description
1	1003204-0024	1	SHROUD, SS, FNT, LT, TLL, ABS-BRZ
1	1003204-0026	1	SHROUD, SS, FNT, LT, TLL, ABS-RSW
1	1003204-0025	1	SHROUD, SS, FNT, LT, TLL, ABS-STM
1	1003204-0022	1	SHROUD, SS, FNT, LT, TLL, ABS-BAM
1	1003204-0023	1	SHROUD, SS, FNT, LT, TLL, ABS-SKY
1	9511828	1	SHROUD, SS, FNT, LT, TLL-PSS
1	9511829	1	SHROUD, SS, FNT, LT, TLL-PBCF
1	1003204-0027	1	SHROUD, SS, FNT, LT, TLL, ABS-SS
2	1003203-0023	1	SHROUD, SS, FNT, RT, TLL, ABS-SKY
2	1003203-0022	1	SHROUD, SS, FNT, RT, TLL, ABS-BAM
2	1003203-0025	1	SHROUD, SS, FNT, RT, TLL, ABS-STM
2	9511728	1	SHROUD, SS, FNT, RT, TLL-PSS
2	9511729	1	SHROUD, SS, FNT, RT, TLL-PBCF
2	1003203-0024	1	SHROUD, SS, FNT, RT, TLL, ABS-BRZ
2	1003203-0027	1	SHROUD, SS, FNT, RT, TLL, ABS-SS
2	1003203-0026	1	SHROUD, SS, FNT, RT, TLL, ABS-RSW
3	9511929	1	SHROUD, SS, REAR, TLL-PBCF
3	9511928	1	SHROUD, SS, REAR, TLL-PSS
3	1003205-0027	1	SHROUD, SS, REAR, TLL, ABS-SS
3	1003205-0026	1	SHROUD, SS, REAR, TLL, ABS-RSW
3	1003205-0025	1	SHROUD, SS, REAR, TLL, ABS-STM
3	1003205-0024	1	SHROUD, SS, REAR, TLL, ABS-BRZ

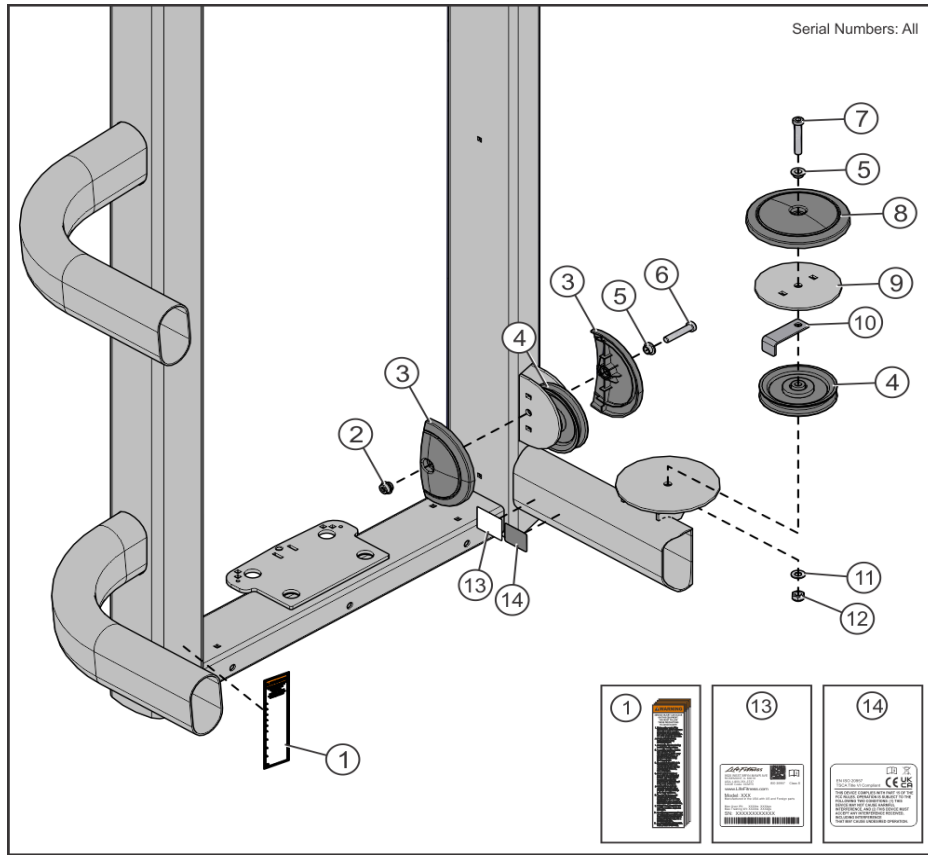
<b>Ref #</b>	<b>Part Number</b>	<b>Qty</b>	<b>Description</b>
3	1003205-0023	1	SHROUD, SS, REAR, TLL, ABS-SKY
3	1003205-0022	1	SHROUD, SS, REAR, TLL, ABS-BAM
4	AK58-00245-2401	1	MEDALLION-ASSY: BUG, LIFE FITNESS, CHARCOAL GRAY

# S and L Trim Tower Top



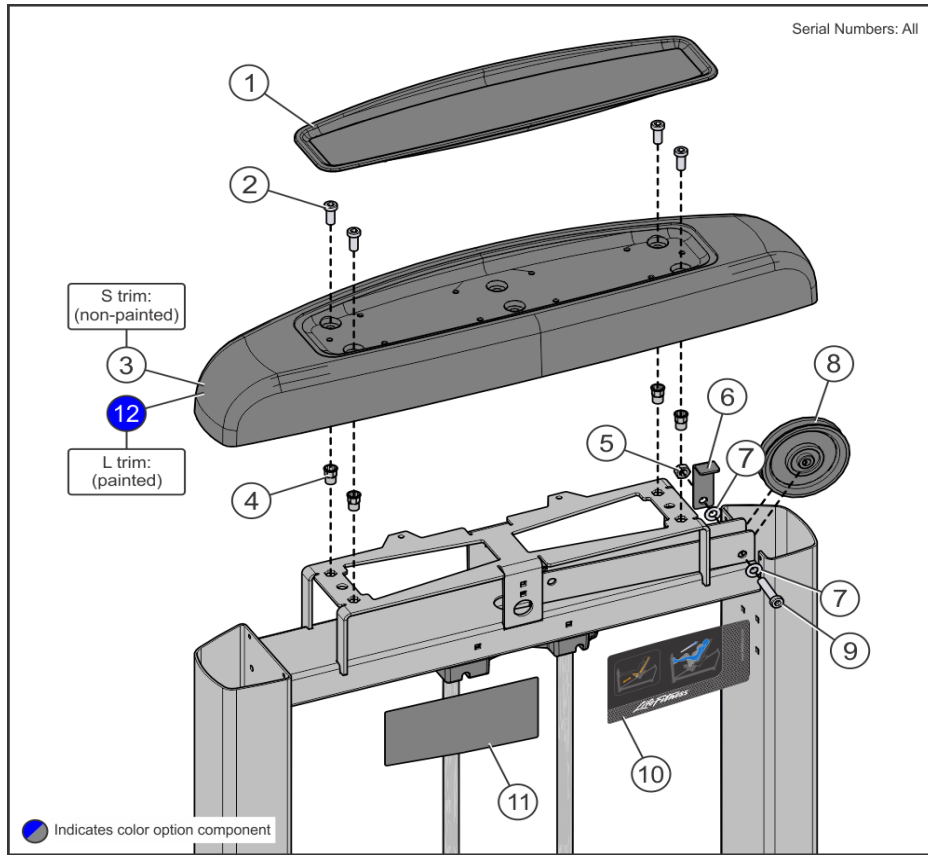
Ref #	Part Number	Qty	Description
1	3236801	1	NUT, NYLOCK M10 X 1.5 SS
2	6757701	1	CLIP, CABLE 2-7/8 X 1 X 1
3	9319901	1	PULLEY, 3/16 IN CABLE (T2), 4.5 IN OD
4	3236601	1	WASHER, 3/8 SAE STAINLESS STEEL
5	3236207	1	M10 X 1.5 X 50 SHCS, LOW HEAD
6	1006334-0001	1	ASSY, DUMMY HOUSING
7	1006620-0001	2	RETAINER: PANEL, 9/32 X 1/2 NYL
8	3275801	3	SCREW, 8 X 3/4 DIN PHL PAN AB ST ZB
9	0017-00042-1147	3	GROMMET: SCREW, 8 OR 10

# Tower Base



Ref #	Part Number	Qty	Description
1	8220000	1	LABEL, ASTM WARNING FW SELECT
2	7335401	1	NUT, M10 X 1.5 SOCKET HEAD
3	8094102	2	COVER, PULLEY -BOLTED PARTIAL -CHGR
4	3237802	2	PULLEY, 1/4 IN CABLE (T3), 4.5 IN OD
5	7630101	2	RETAINER, CM/MJ, PULLEY
6	3236207	1	M10 X 1.5 X 50 SHCS, LOW HEAD
7	3236209	1	M10 X 1.5 X 60 SHCS, LOW HEAD
8	8102902	1	COVER, PULLEY-BOLTED FULL
9	7318201	1	PLATE, PULLEY
10	6757701	1	CLIP, CABLE 2-7/8 X 1 X 1
11	3236601	1	WASHER, 3/8 SAE STAINLESS STEEL
12	3236801	1	NUT, NYLOCK M10 X 1.5 SS
13	7571301	1	LABEL, SERIAL NUMBER
14	9488901	1	LABEL, INSIGNIA, FCC

# Tower Top



Ref #	Part Number	Qty	Description
1	9411201	1	TRAY, TOWER TOP CAP
2	3236202	4	M10 X 1.5 X 25 SHCS, LOW HEAD
3	9436701	1	CAP, TOWER, TOP, PLASTIC
4	3238601	4	M10X1.5 BLIND THREADED INSERT (HEX)
5	3236801	1	NUT, NYLOCK M10 X 1.5 SS
6	6757701	1	CLIP, CABLE 2-7/8 X 1 X 1
7	3236601	2	WASHER, 3/8 SAE STAINLESS STEEL
8	9319901	1	PULLEY, 3/16 IN CABLE (T2), 4.5 IN OD
9	3236208	1	M10 X 1.5 X 55 SHCS, LOW HEAD
10	9477601	1	LABEL, SS-SLP PLACARD, RH
11	9466003	1	Label, SS-SLP, LH French
11	9466004	1	Label, SS-SLP, LH Spanish
11	9466001	6	Label, SS-SLP, LH English
11	9466007	1	Label, SS-SLP, LH Japanese
11	9466008	1	Label, SS-SLP, LH Portuguese
11	9466010	1	Label, SS-SLP, LH Russian
11	9466012	1	Label, SS-SLP, LH Chinese
12	9412600	1	CAP, SS, CAST Custom

