

INSIGNIA SIT/STAND HIP ABDUCTION

SS-SHB

Parts Manual

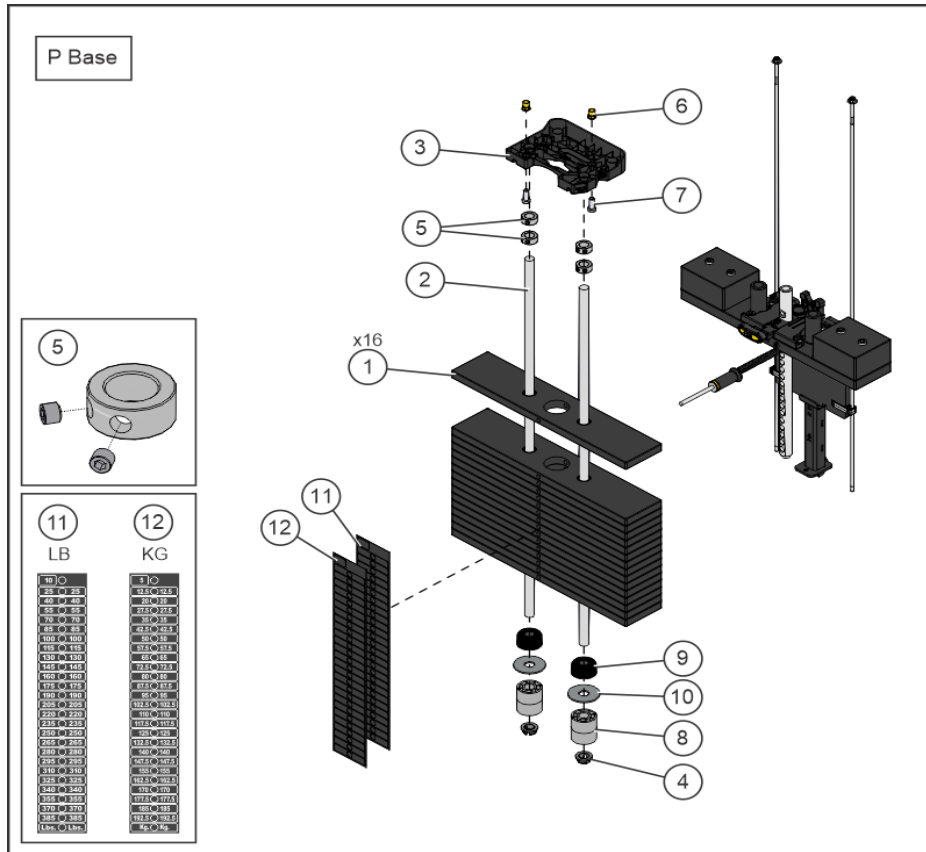
11/17/2024 21:06:12 PM



Table of Contents

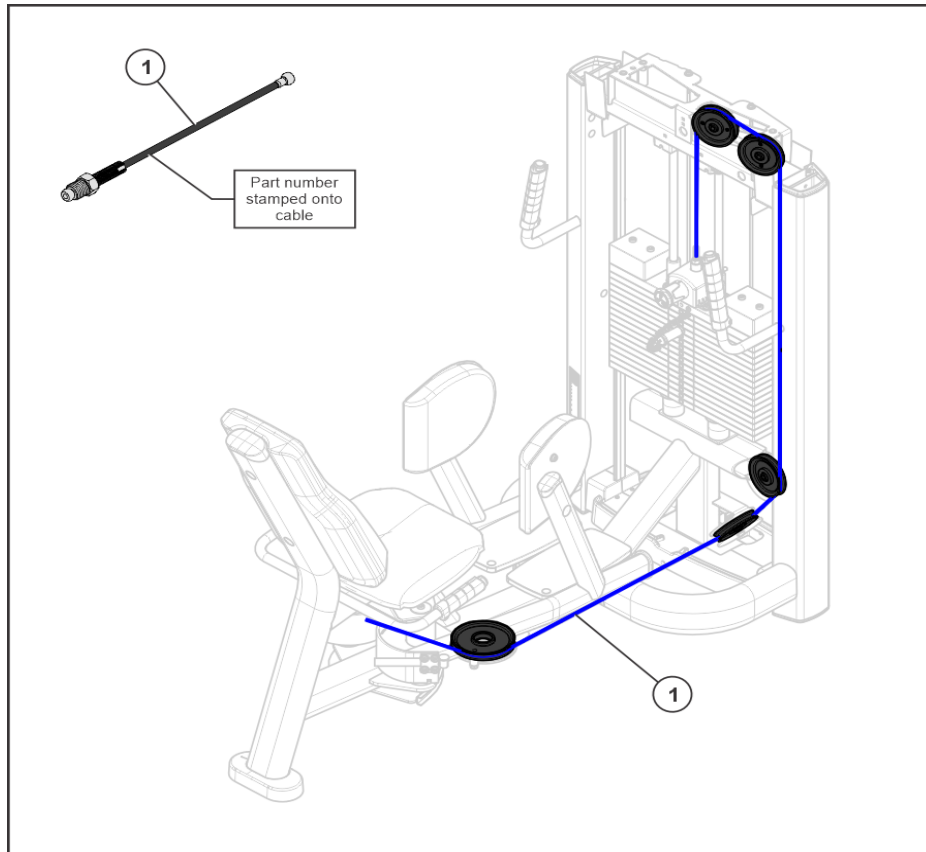
Base P-Weight Stack	3
Cable Routing	4
Components	5
C and X Head Plate	6
C and X Increment Weights	7
Full Shroud	8
Grips	9
Heavy X-Weight Stack	10
Left Workarm	11
Main Frame	13
Pads	15
P-Stack Head Plate	16
P-Stack Increment Weight	17
Rear Shroud	18
Right Workarm	19
Shroud Wraps	21
Standard C-Weight Stack	22
SS Options Key	23
S and E Trim Tower Top	24
S, L and E Trims	25
Tower Top	26
T Trim Life Fitness Connect	27

Base P-Weight Stack



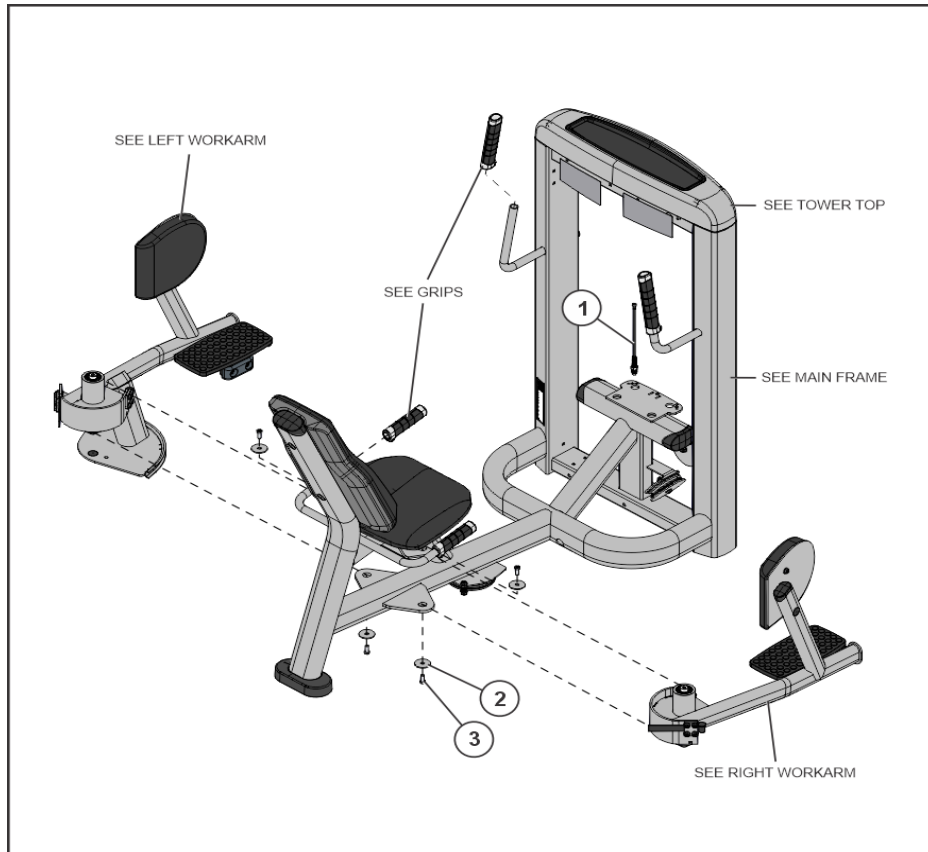
Ref #	Part Number	Qty	Description
1	9407601	16	WGT PL, 3/4IN X 4IN, 15LB
2	7328625	2	GUIDE ROD, .75 OD SOLID X 37.14
3	1015452-0001	1	RETAINER: GUIDE ROD, NYL
4	7337901	2	BUSHING, GUIDE ROD
5	3103301	4	SHAFT COLLAR, 3/4" ID ZINC
6	3238601	2	M10X1.5 BLIND THREADED INSERT (HEX)
7	3236202	2	M10 X 1.5 X 25 SHCS, LOW HEAD
8	1004349-0002	2	SPACER, WGT STK, 3 PL8
9	7352101	2	CUSHION, WEIGHT STACK
10	1010765-0001	2	WASHER: 0.80 OD, 11GA
11	9475101	1	LABEL, 3/4 IN WGT STACK, 385 LB
12	9475401	1	LABEL, 3/4 IN WGT STACK, 192.5 KG

Cable Routing



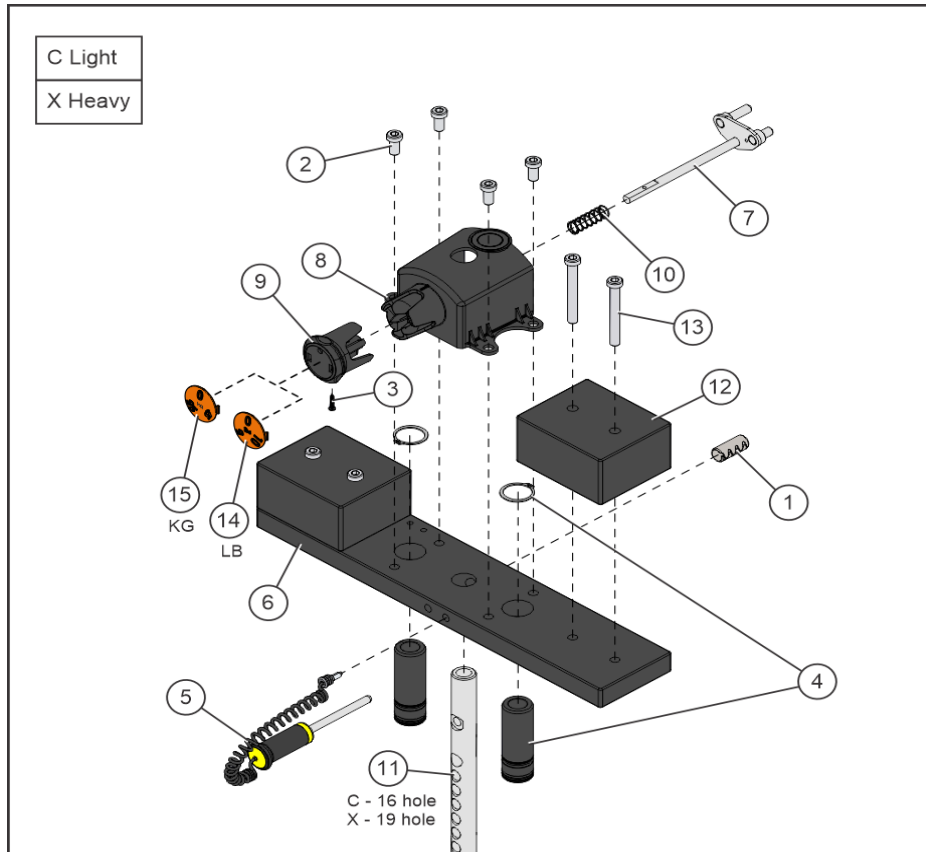
Ref #	Part Number	Qty	Description
1	9496205	1	CABLE: STANDING HIP ABDUCTION

Components



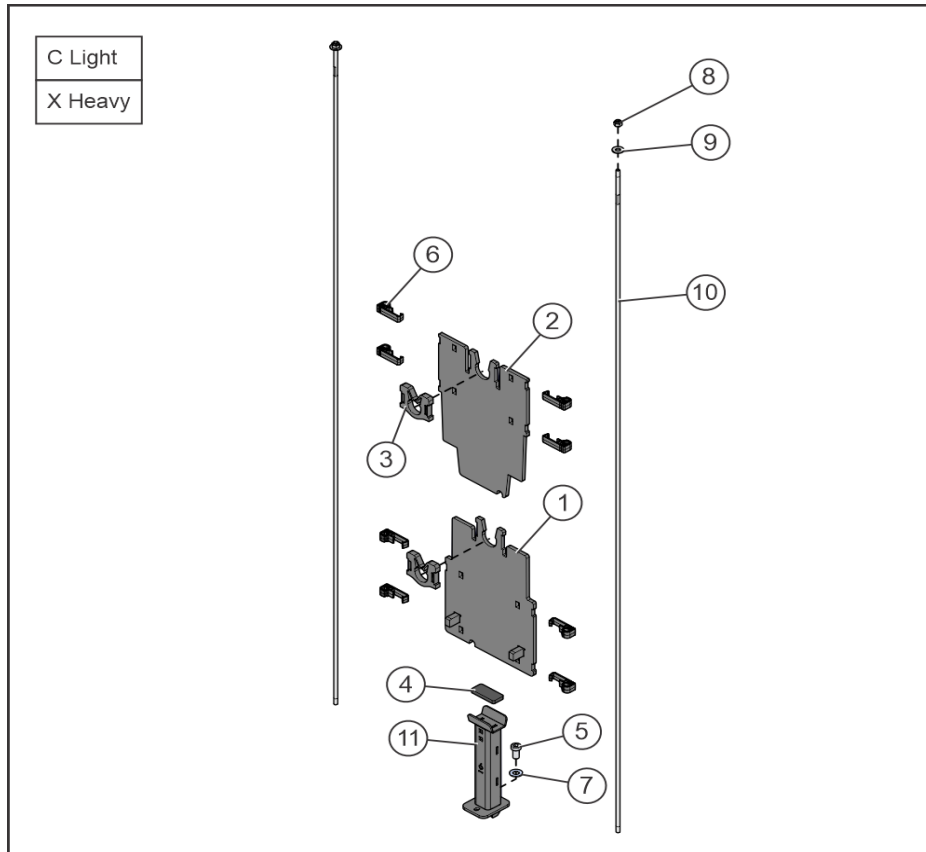
Ref #	Part Number	Qty	Description
1	9496205	1	CABLE: STANDING HIP ABDUCTION
2	7322301	4	PLATE, 1.97 OD X .447 ID 10GA
3	3236202	4	M10 X 1.5 X 25 SHCS, LOW HEAD

C and X Head Plate



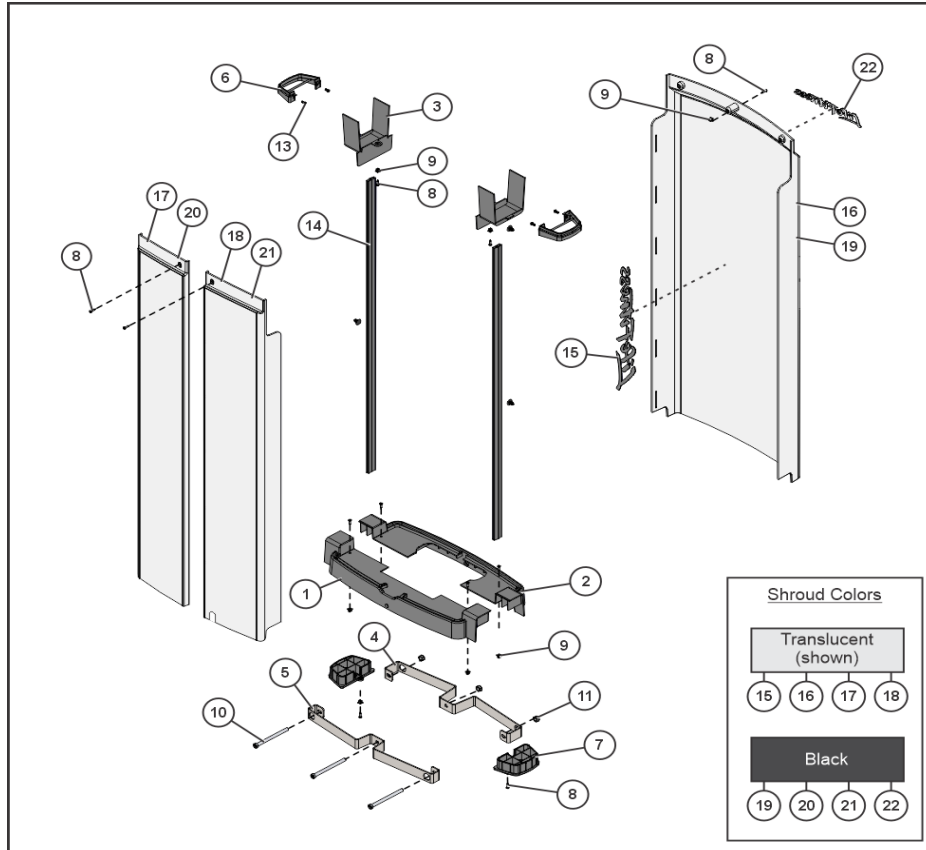
Ref #	Part Number	Qty	Description
1	3236001	1	BUSHING, SPRING PIN
2	3236201	4	M10 X 1.5 X 20 SHCS, LOW HEAD
3	3275601	1	SCREW, 6 X 3/4 DIN PHL PAN AB ST ZB
4	9296001	2	BUSHING, HEADPLATE, LONG
5	1003679-0003	1	ASSY, WGT STK SEL PIN -YEL
6	9431101	1	HEADPLATE, WT. STACK, 20LB
7	1010800-0001	1	WLDMT, INC WGT PIN
8	1017209-0001	1	HOUSING: INC WEIGHT
9	9443201	1	KNOB, INC WEIGHT
10	9443301	1	SPRING, INC WGT PIN
11	9426002	1	BAYONET, 19 PLATE
11	9434202	1	BAYONET, 16 PLATE
12	9433302	2	COUNTER WEIGHT, HEAD PLATE, 12.5LB
13	3236213	4	M10 X 1.5 X 80 SHCS, LOW HEAD
14	9431403	1	CAP, SELECTOR KNOB -LBS
15	9450103	1	CAP, SELECTOR KNOB -KGS

C and X Increment Weights



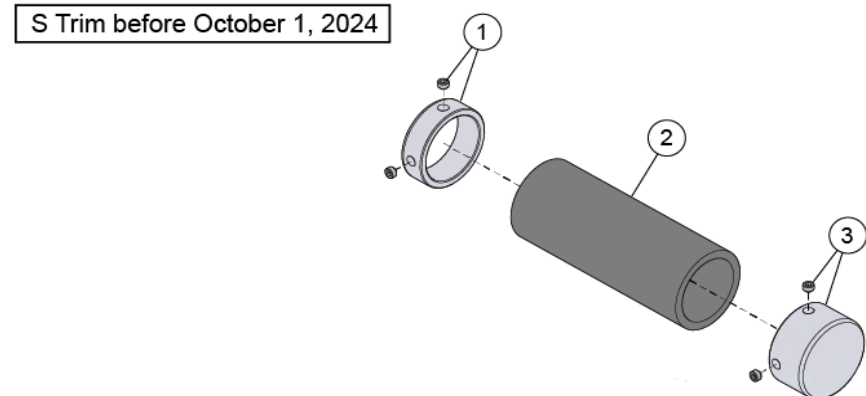
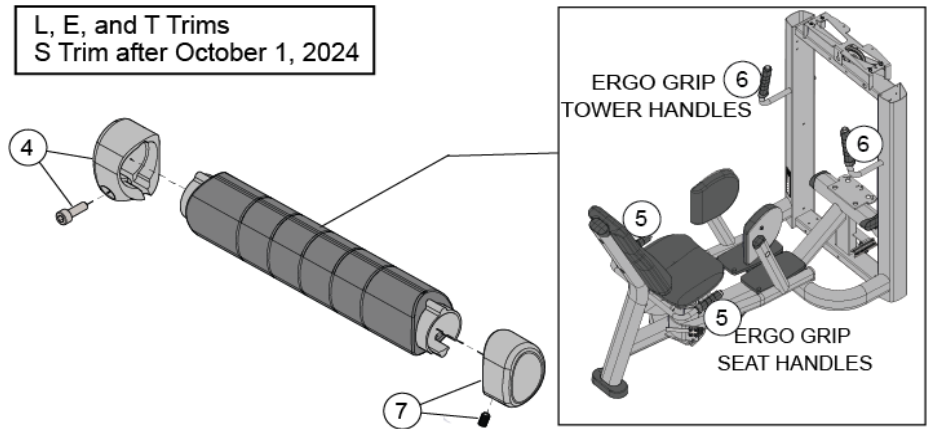
Ref #	Part Number	Qty	Description
1	1010971-2801	1	WLDMT: INC WEIGHT, 5LB, REAR -CHR
2	1010970-2801	1	PLATE: INC WEIGHT, 5LB, FRONT, 1/4" -CHR
3	1008920-0001	2	GUARD: INCREMENT WEIGHT, 0.25
4	1008552-0001	1	BUMPER: EA FOAM, INC WEIGHT
5	3236201	1	M10 X 1.5 X 20 SHCS, LOW HEAD
6	1010803-0001	8	GUIDE ROD ASSY: INCR WT, 1/4", CHARCOAL GRAY
7	3236601	1	WASHER, 3/8 SAE STAINLESS STEEL
8	3102806	2	NUT, NYLOCK 1/4-20
9	3102506	2	WASHER, FLAT 1/4 ID ZN
10	1008192-0001	2	GUIDE ROD: INC WEIGHT, 0.25 OD SOLID
11	1018165-2801	1	WLDMT: BRACKET, INC WEIGHT SPACER, 6" -CHR

Full Shroud



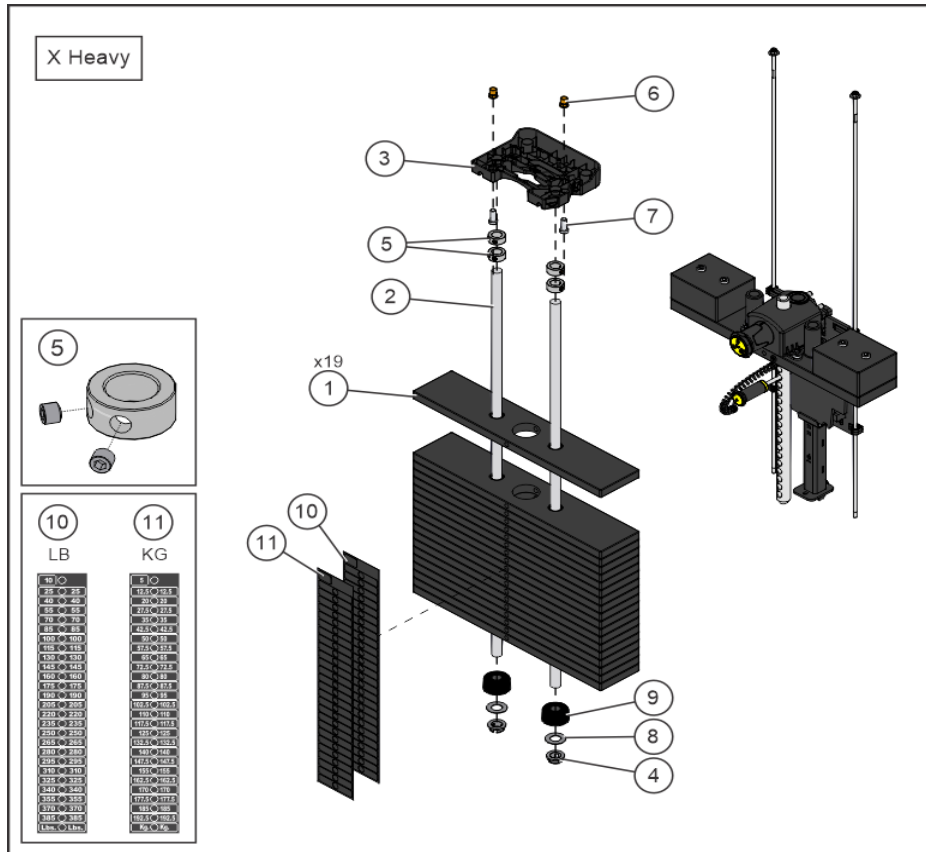
Ref #	Part Number	Qty	Description
1	9410801	1	COVER, TOWER BOTTOM -FRONT
2	1007064-0001	1	COVER: TOWER BOTTOM, REAR
3	9415701	2	COVER, SS, TWR
4	1007623-0001	1	BRACKET: TOWER GUARD, REAR
5	1007622-0001	1	BRACKET: TOWER GUARD, FRONT
6	9415801	2	GASKET, TRAP TUBE
7	9412701	2	ASSY, TRAP TUBE, CAP -BTM
8	3275801	11	SCREW, 8 X 3/4 DIN PHL PAN AB ST ZB
9	0017-00042-1147	9	GROMMET: SCREW, 8 OR 10
10	3236220	3	M10 X 1.5 X 130 SHCS, LOW HEAD
11	3236801	3	NUT, NYLOCK M10 X 1.5 SS
12	1006620-0001	4	RETAINER: PANEL, 9/32 X 1/2 NYL
13	0017-00101-1587	4	RVT 201X0413X.354 T NY NO
14	9414601	2	SHROUD EXTRUSION - SHORT
15	9489101	1	LABEL, LIFE FITNESS, 20IN.
16	9489001	1	SHROUD, SS, REAR, SRT
17	9410601	1	SHROUD, TOWER FRONT, LT - SHORT
18	9410703	1	SHROUD, SS-HAB/HAD, FNT, RT
19	1003146-0001	1	SHROUD, TOWER REAR - SHORT, ABS
20	1003147-0001	1	SHROUD, TOWER FRONT, LT - SHORT, ABS
21	1003148-0003	1	SHROUD, SS-HAB/HAD, FNT, RT, ABS
22	1025741-0001	1	LABEL: LF LOGO, 10IN

Grips



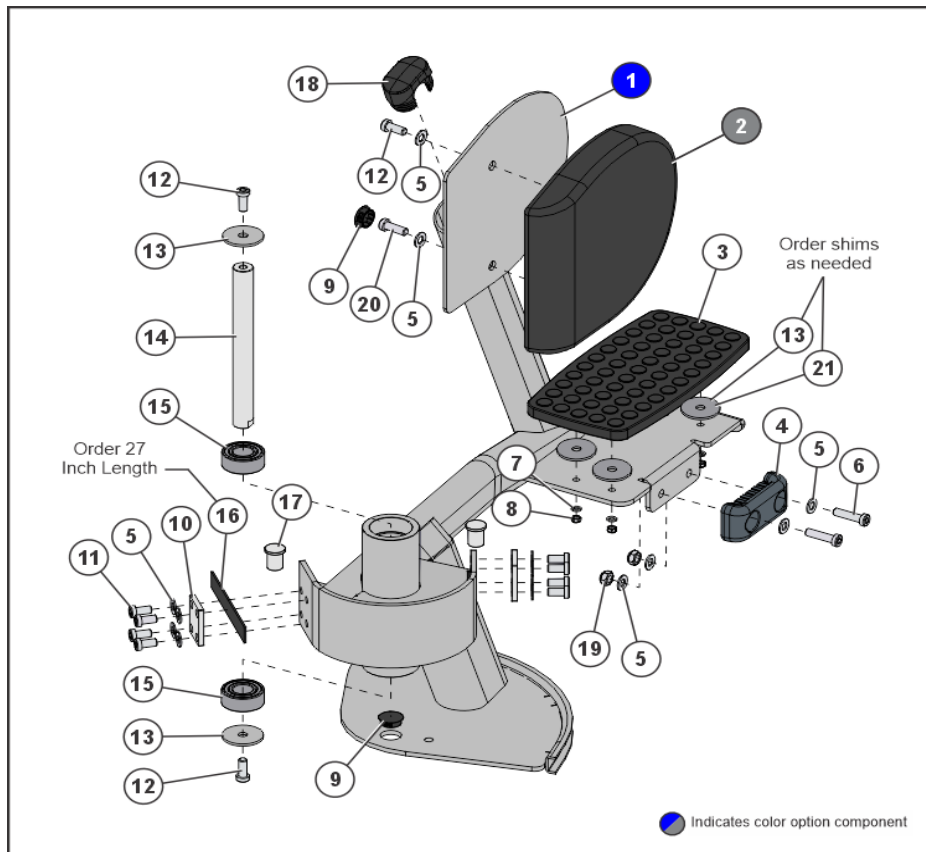
Ref #	Part Number	Qty	Description
1	7662801	4	RING, GRIP 1.25 OD
2	3235806	4	GRIP, 1.25 OD X .125 WALL OPEN END
3	7662901	4	CAP; GRIP 1.25 OD
4	1001760-0001	4	ASSY, COLLAR, ERGO GRIP
5	9453001	2	GRIP, ERGO, OVERMOLD, 6.5
6	9453002	2	GRIP, ERGO, OVERMOLD, 9.0
7	1001761-0001	4	ASSY, CAP, GRIP

Heavy X-Weight Stack



Ref #	Part Number	Qty	Description
1	9407601	19	WGT PL, 3/4IN X 4IN, 15LB
2	7328625	2	GUIDE ROD, .75 OD SOLID X 37.14
3	1015452-0001	1	RETAINER: GUIDE ROD, NYL
4	7337901	2	BUSHING, GUIDE ROD
5	3103301	4	SHAFT COLLAR, 3/4" ID ZINC
6	3238601	2	M10X1.5 BLIND THREADED INSERT (HEX)
7	3236202	2	M10 X 1.5 X 25 SHCS, LOW HEAD
8	7351001	2	SPACER, INC WT STACK
9	7352101	2	CUSHION, WEIGHT STACK
10	9475101	2	LABEL, 3/4 IN WGT STACK, 385 LB
11	9475401	1	LABEL, 3/4 IN WGT STACK, 192.5 KG

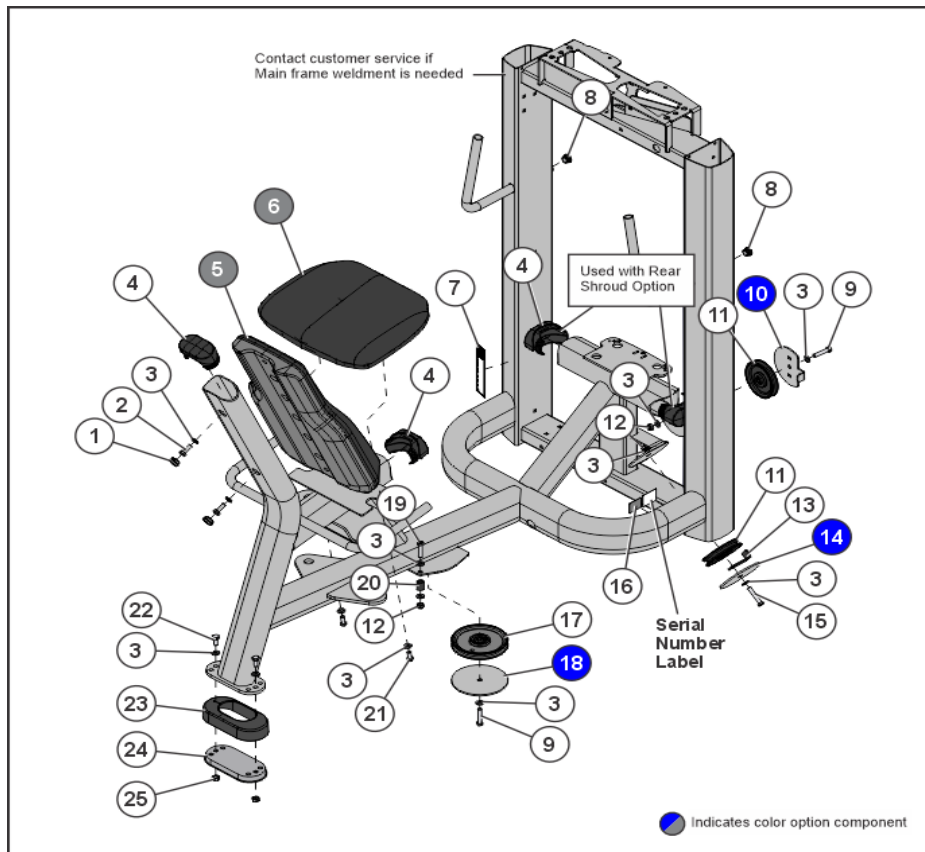
Left Workarm



Ref #	Part Number	Qty	Description
1	1024615-0000	1	WELDMENT: HIP WORKARM, LEFT
2	1000012-0199	1	HIP HAB/HAD RH, NO BACKER CUS, DBL STITCH-Custom
2	1000012-0099	1	HIP HAB/HAD RH, NO BACKER CUS, SNGL STITCH-Custom
2	7549601	1	PAD, HIP ADDUCTOR, RH Black
3	7640302	1	FOOT PAD, CM/MJ OVERMOLD
4	7352002	1	BUMPER, 2-1/8 X 4-5/8
5	3236601	14	WASHER, 3/8 SAE STAINLESS STEEL
6	3236205	2	M10 X 1.5 X 40 SHCS, LOW HEAD
7	3241801	4	WASHER, FLAT 6MM SS
8	3236802	4	NUT, M6 X 1 HEX NYLOCK SS
9	3237407	2	PLUG, 1 IN HOLE
10	1019274-2801	2	PLATE: HAA, BELT - CHR
11	3236201	8	M10 X 1.5 X 20 SHCS, LOW HEAD
12	3236202	1	M10 X 1.5 X 25 SHCS, LOW HEAD
13	7322301	6	PLATE, 1.97 OD X .447 ID 10GA
14	1025316-0001	1	SHAFT: M25X240, CRS
15	1024496-0001	2	BEARING: BALL, M25 X 52 X 20.6, 3205 A-2RS
16	7435701	1	BELT, SPOOLED W 15/16 T .09
17	8697201	2	BAR, OSHAA, BELT DOWEL
18	7333802	1	CAP, SMALL FLOV-END

Ref #	Part Number	Qty	Description
19	3236801	2	NUT, NYLOCK M10 X 1.5 SS
20	3236203	1	M10 X 1.5 X 30 SHCS, LOW HEAD
21	9455101	4	SHIM, 1.75" X .44"

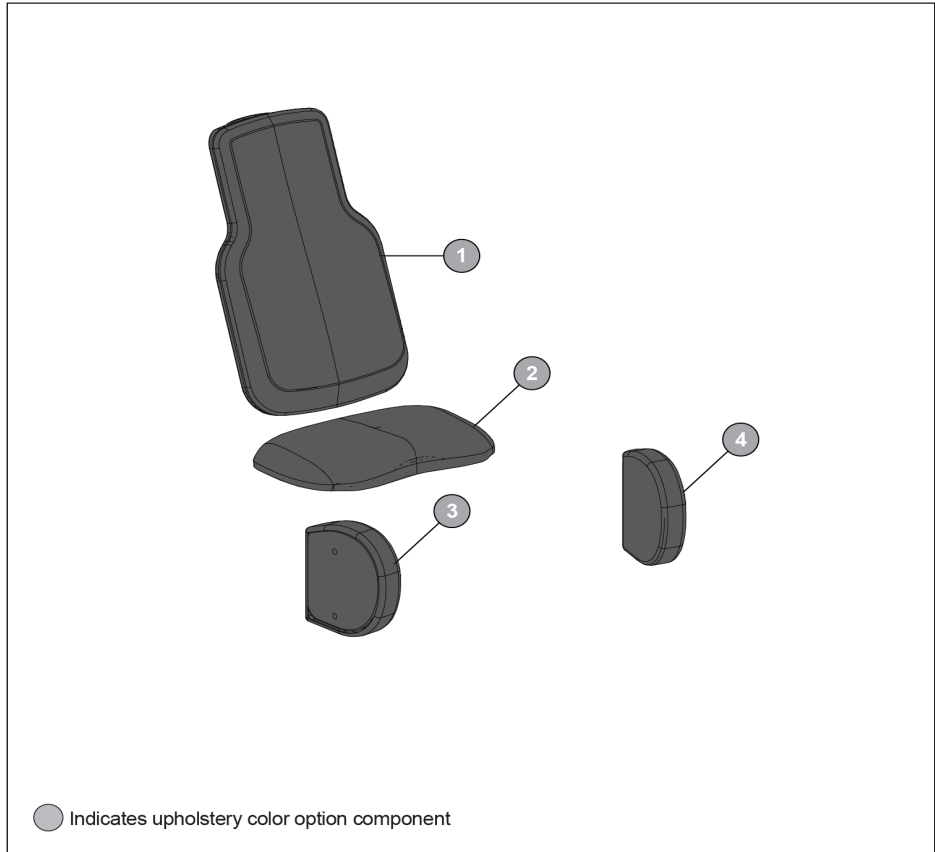
Main Frame



Ref #	Part Number	Qty	Description
1	3237405	2	PLUG, 7/16 IN HOLE
2	3251203	2	M10 X 1.5 X 30MM UNS HEX CS ST ZN
3	3236601	13	WASHER, 3/8 SAE STAINLESS STEEL
4	7333902	4	CAP, LARGE FLOV-END; CHGR
5	1000018-0199	1	PAD, LARGE BACK CUS, DBL STITCH- Custom
5	1000018-0001	1	PAD, LARGE BACK CUS, SNGL STITCH- BLACK
5	1000018-0101	1	PAD, LARGE BACK CUS, DBL STITCH- BLACK
5	1000018-0099	1	PAD, LARGE BACK CUS, SNGL STITCH- Custom
6	7297201	1	PAD, LARGE CHAIR, SNGL STITCH BLACK
6	1000000-0099	1	PAD, LARGE CHAIR CUS, SNGL STITCH- Custom
6	1000000-0199	1	PAD, LARGE CHAIR CUS, DBL STITCH- Custom
7	8220003	1	Label, ASTM, Select Vertical - French
7	8220013	1	Label, ASTM, Select Vertical - English Red
7	8220012	1	Label, ASTM, Select Vertical - English Ice Blue Metallic
7	8220011	1	Label, ASTM, Select Vertical - Turkish
7	8220010	1	Label, ASTM, Select Vertical - Russian
7	8220008	1	Label, ASTM, Select Vertical - Portugese
7	8220007	1	Label, ASTM, Select Vertical - Japanese
7	8220006	1	Label, ASTM, Select Vertical - Dutch
7	8220005	1	Label, ASTM, Select Vertical - Italian
7	8220004	1	Label, ASTM, Select Vertical - Spanish
7	8220002	1	Label, ASTM, Select Vertical - German

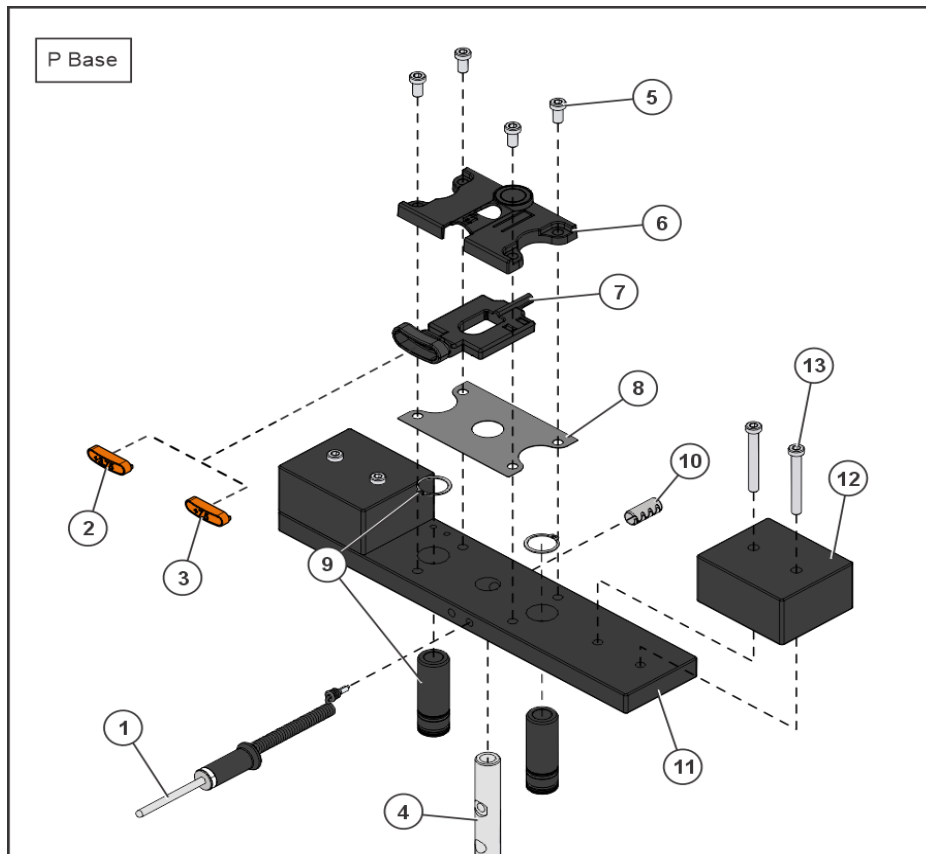
Ref #	Part Number	Qty	Description
7	8220001	1	Label, ASTM, Select Vertical - English
8	3119304	2	CAP, END 1 DIA RD 10-12GA
9	3236207	2	M10 X 1.5 X 50 SHCS, LOW HEAD
10	7730901	1	BRKT, COVER/CABLE RETAINER WHITE
11	3237802	2	PULLEY, 1/4 IN CABLE (T3), 4.5 IN OD
12	3236801	3	NUT, NYLOCK M10 X 1.5 SS
13	6757701	1	CLIP, CABLE 2-7/8 X 1 X 1
14	9343701	1	PLATE, PULLEY- WHITE
15	3236208	1	M10 X 1.5 X 55 SHCS, LOW HEAD
16	9488901	1	LABEL, INSIGNIA, FCC
17	1023284-0001	1	PULLEY: 6.0IN OD, 5/16IN CABLE, NYL
18	7301101	1	Plate, Pulley White
19	3236206	1	M10 X 1.5 X 45 SHCS, LOW HEAD
20	7354301	1	SPACER, 7/16 ID X 1 OD X 1
21	3236202	2	M10 X 1.5 X 25 SHCS, LOW HEAD
22	3251202	2	M10 X 1.5 X 25MM UNS HEX CS ST ZN
23	9461401	1	COVER, FOOT -20 deg
24	9319301	1	FOOT, 2.5 X 4.49 FLOV
25	3254703	2	NUT, M10 X 1.5 HEX ZINC

Pads



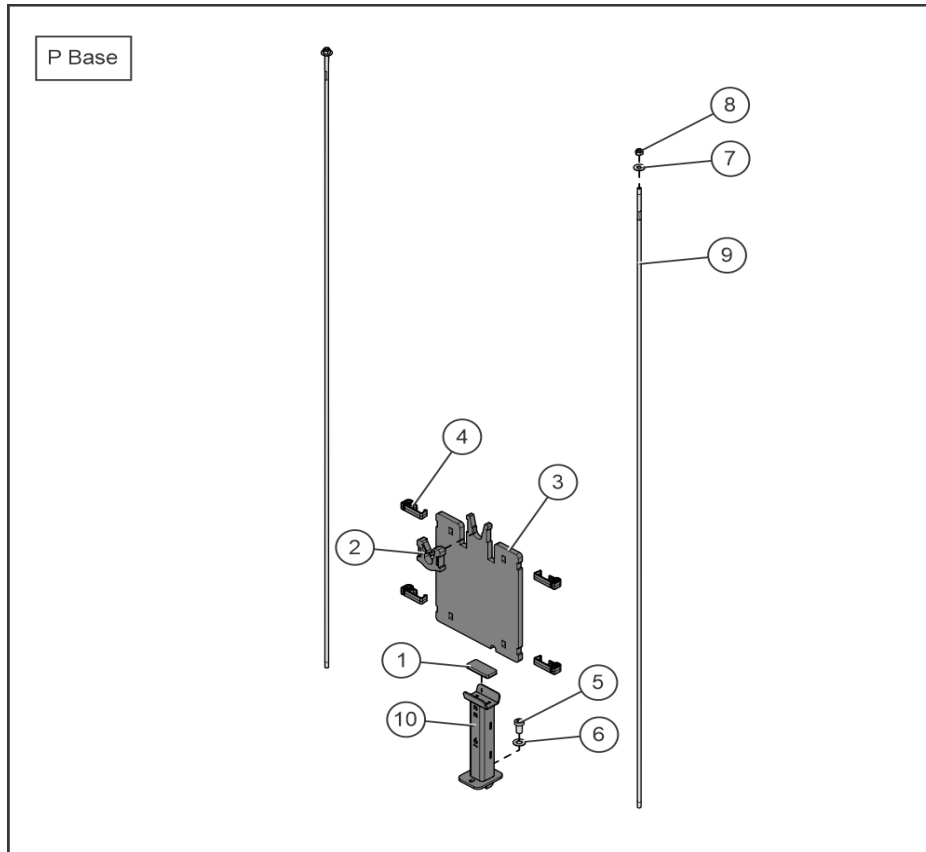
Ref #	Part Number	Qty	Description
1	7297201	1	PAD, LARGE CHAIR, SNGL STITCH BLACK
1	1000018-0099	1	PAD, LARGE BACK CUS, SNGL STITCH- Custom
1	1000018-0199	1	PAD, LARGE BACK CUS, DBL STITCH- Custom
1	1000018-0001	1	PAD, LARGE BACK CUS, SNGL STITCH- BLACK
1	1000018-0101	1	PAD, LARGE BACK CUS, DBL STITCH- BLACK
2	1000000-0199	1	PAD, LARGE CHAIR CUS, DBL STITCH- Custom
2	1000000-0099	1	PAD, LARGE CHAIR CUS, SNGL STITCH- Custom
3	7626501	1	PAD, HIP HAD/HAB LT, NO BACKER Black
3	1000011-0199	1	PAD, HIP HAD/HAB LH, NO BACKER CUS, DBL STITCH- Custom
3	1000011-0099	1	PAD, HIP HAD/HAB LH, NO BACKER CUS, SNGL STITCH- Custom
4	1000012-0199	1	HIP HAD/HAB RH, NO BACKER CUS, DBL STITCH- Custom
4	7549601	1	PAD, HIP ADDUCTOR, RH Black
4	1000012-0099	1	HIP HAD/HAB RH, NO BACKER CUS, SNGL STITCH- Custom

P-Stack Head Plate



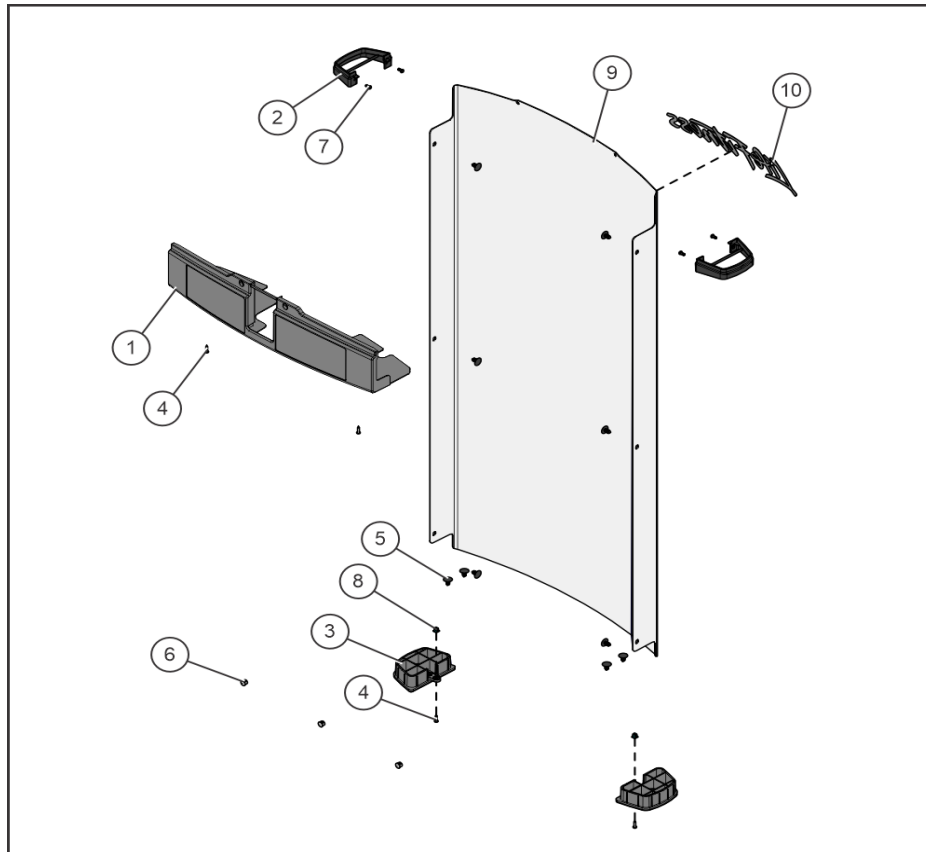
Ref #	Part Number	Qty	Description
1	1003679-0003	1	ASSY, WGT STK SEL PIN -YEL
2	1006751-0001	1	CAP: 3.75 KG INC WEIGHT - KG
3	1006750-0001	1	CAP, 7.5 LB INC WEIGHT - LBS
4	3236202	4	M10 X 1.5 X 25 SHCS, LOW HEAD
5	1017210-0001	1	HOUSHING: 7.5LB INC WEIGHT
6	1008675-0001	1	HANDLE: 7.5LB INC WT, PLASTIC
7	1006707-0001	1	DIE CUT: 7.5LB INC WEIGHT, NYLON SHEET, 0.020"
8	9296001	2	BUSHING, HEADPLATE, LONG
9	3236001	1	BUSHING, SPRING PIN
10	9431101	1	HEADPLATE, WT. STACK, 20LB
11	9434202	1	BAYONET, 16 PLATE
12	9433302	2	COUNTER WEIGHT, HEAD PLATE, 12.5LB
13	3236213	4	M10 X 1.5 X 80 SHCS, LOW HEAD

P-Stack Increment Weight



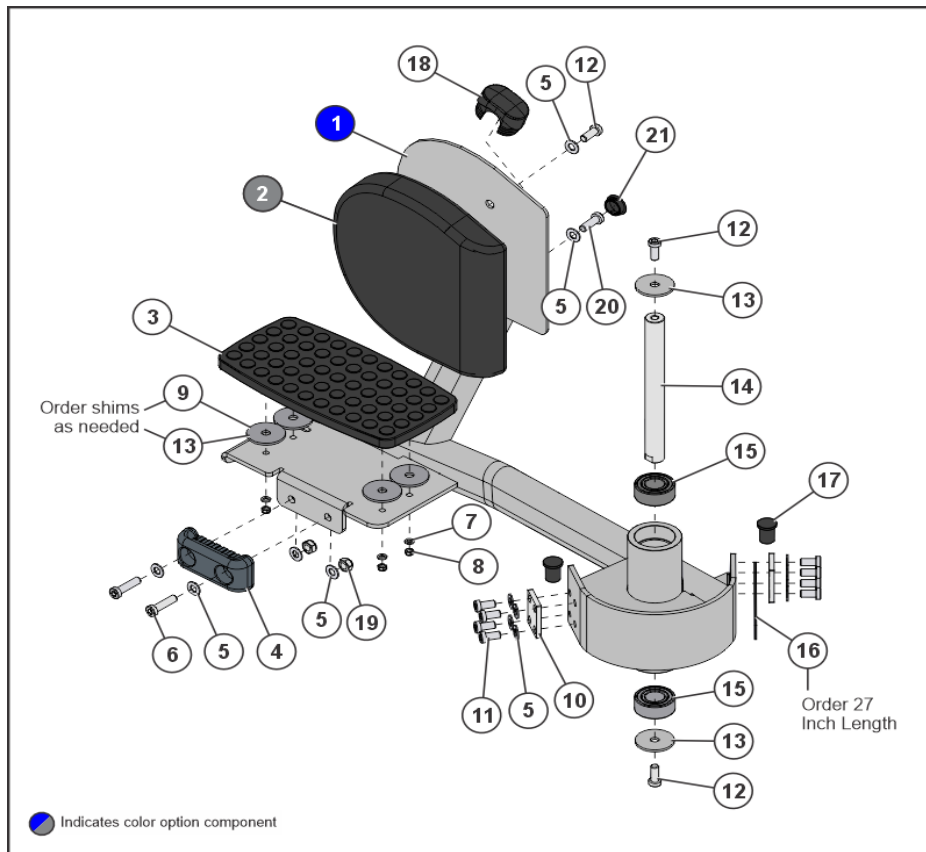
Ref #	Part Number	Qty	Description
1	1008552-0001	1	BUMPER: EA FOAM, INC WEIGHT
2	1008566-0001	1	GUARD: INCREMENT WEIGHT, 0.375
3	1008366-0028	1	PLATE: INCREMENT WEIGHT, 7.5LB - CHR
4	1010805-0001	4	GUIDE ROD ASSY: INCR WT, 3/8", CHARCOAL GRAY
5	3236201	1	M10 X 1.5 X 20 SHCS, LOW HEAD
6	3236601	1	WASHER, 3/8 SAE STAINLESS STEEL
7	3102506	2	WASHER, FLAT 1/4 ID ZN
8	3102806	2	NUT, NYLOCK 1/4-20
9	1008192-0001	2	GUIDE ROD: INC WEIGHT, 0.25 OD SOLID
10	1018165-2801	1	WLDMT: BRACKET, INC WEIGHT SPACER, 6" -CHR

Rear Shroud



Ref #	Part Number	Qty	Description
1	1018509-0001	1	ASSY: TOP TRIM, PLACARD MNT
2	9415801	2	GASKET, TRAP TUBE
3	9412701	2	ASSY, TRAP TUBE, CAP -BTM
4	3275801	2	SCREW, 8 X 3/4 DIN PHL PAN AB ST ZB
5	1006620-0001	10	RETAINER: PANEL, 9/32 X 1/2 NYL
6	3237405	3	PLUG, 7/16 IN HOLE
7	0017-00101-1587	4	RVT 201X0413X.354 T NY NO
8	0017-00042-1147	2	GROMMET: SCREW, 8 OR 10
9	1009335-0001	1	SHROUD: REAR, W/LOGO, STD
10	1008491-0001	1	LABEL, LIFE FITNESS, 16IN

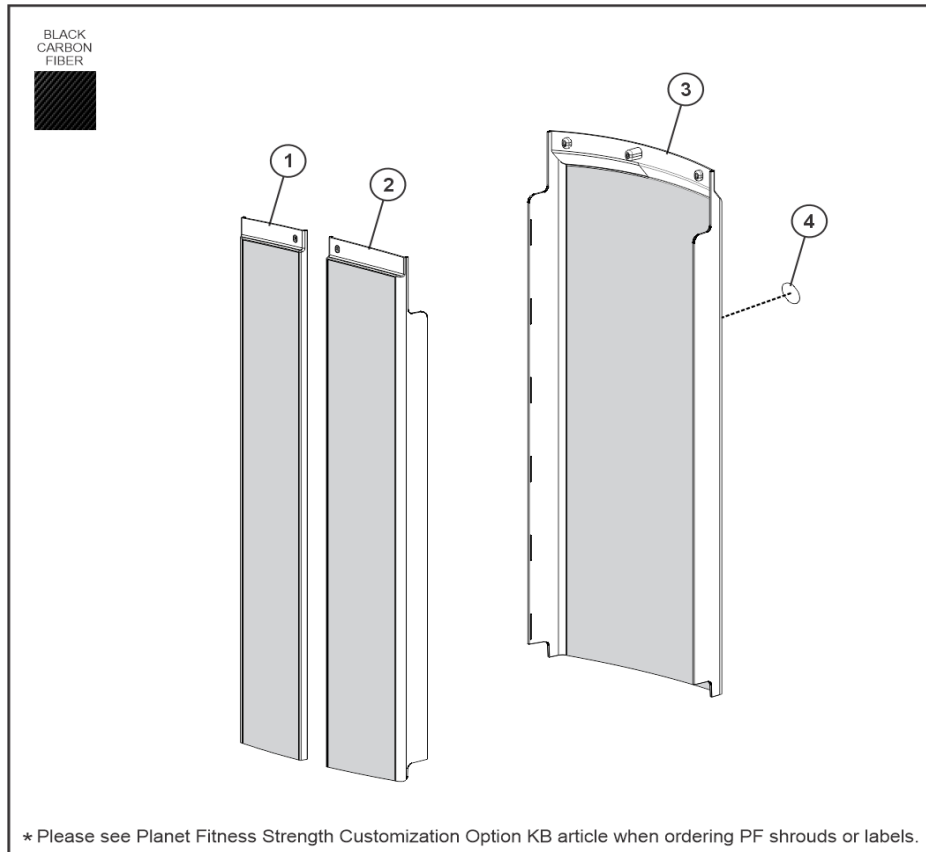
Right Workarm



Ref #	Part Number	Qty	Description
1	1024610-0000	1	WELDMENT: HIP WORKARM, RIGHT
2	1000011-0199	1	PAD, HIP HAB/HAD LH, NO BACKER CUS, DBL STITCH- Custom
2	1000011-0099	1	PAD, HIP HAB/HAD LH, NO BACKER CUS, SNGL STITCH- Custom
2	7626501	1	PAD, HIP HAD/HAB LT, NO BACKER Black
3	7640302	1	FOOT PAD, CM/MJ OVERMOLD
4	7352002	1	BUMPER, 2-1/8 X 4-5/8
5	3236601	14	WASHER, 3/8 SAE STAINLESS STEEL
6	3236205	2	M10 X 1.5 X 40 SHCS, LOW HEAD
7	3241801	4	WASHER, FLAT 6MM SS
8	3236802	4	NUT, M6 X 1 HEX NYLOCK SS
9	9455101	4	SHIM, 1.75" X .44"
10	1019274-2801	2	PLATE: HAA, BELT - CHR
11	3236201	8	M10 X 1.5 X 20 SHCS, LOW HEAD
12	3236202	1	M10 X 1.5 X 25 SHCS, LOW HEAD
13	7322301	6	PLATE, 1.97 OD X .447 ID 10GA
14	1025316-0001	1	SHAFT: M25X240, CRS
15	1024496-0001	2	BEARING: BALL, M25 X 52 X 20.6, 3205 A-2RS
16	7435701	1	BELT, SPOOLED W 15/16 T .09
17	8697201	2	BAR, OSHAA, BELT DOWEL
18	7333802	1	CAP, SMALL FLOV-END

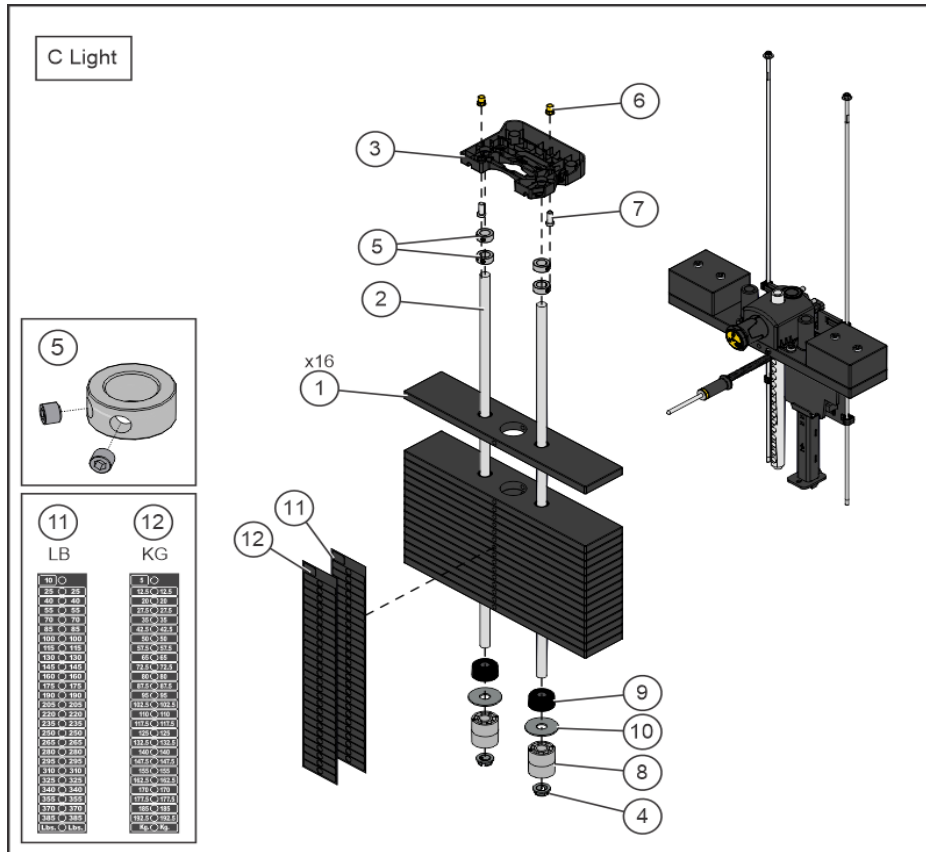
Ref #	Part Number	Qty	Description
19	3236801	2	NUT, NYLOCK M10 X 1.5 SS
20	3236203	1	M10 X 1.5 X 30 SHCS, LOW HEAD
21	3237407	1	PLUG, 1 IN HOLE

Shroud Wraps



Ref #	Part Number	Qty	Description
1	1003204-0009	1	SHROUD, SS, FNT, LT, SRT, ABS-PBCF
2	1003216-0009	1	SHROUD, SS-HAD/HAB, FNT, RT, SRT, ABS-PBCF
3	1003205-0009	1	SHROUD, SS, REAR, SRT, ABS-PBCF
4	AK58-00245-2401	1	MEDALLION-ASSY: BUG, LIFE FITNESS, CHARCOAL GRAY

Standard C-Weight Stack





Ref #	Part Number	Qty	Description
1	9407601	16	WGT PL, 3/4IN X 4IN, 15LB
2	7328625	2	GUIDE ROD, .75 OD SOLID X 37.14
3	1015452-0001	1	RETAINER: GUIDE ROD, NYL
4	7337901	2	BUSHING, GUIDE ROD
5	3103301	4	SHAFT COLLAR, 3/4" ID ZINC
6	3238601	2	M10X1.5 BLIND THREADED INSERT (HEX)
7	3236202	2	M10 X 1.5 X 25 SHCS, LOW HEAD
8	1004349-0002	2	SPACER, WGT STK, 3 PL8
9	7352101	2	CUSHION, WEIGHT STACK
10	1010765-0001	2	WASHER: 0.80 OD, 11GA
11	9475101	1	LABEL, 3/4 IN WGT STACK, 385 LB
12	9475401	1	LABEL, 3/4 IN WGT STACK, 192.5 KG

SS Options Key

Insignia Series Options and Key

- FRAME COLOR OPTION**
- SELECT POWDERCOAT COLOR
- BLACK
 - BLUE
 - CANDY APPLE RED
 - CHARCOAL
 - DIAMOND WHITE
 - ELECTRIC BLUE
 - ICE BLUE METALLIC
 - MIDNIGHT METALLIC
 - MOCHA SAND
 - NICKEL
 - PLATINUM
 - RED
 - TITANIUM
 - WHITE
 - YELLOW
 - CUSTOM

- UPHOLSTERY OPTION**
- SINGLE STITCH 
 - DOUBLE STITCH 



- UPHOLSTERY COLOR OPTION**
- AMERICAN BEAUTY RED
 - AZURE
 - BLACK
 - BLACK CARBON FIBER
 - BURGUNDY
 - CANDLY APPLE RED
 - CHESTNUT
 - CONCORD
 - CRANBERRY
 - CROCUS
 - DARK WALNUT
 - DOVE GRAY
 - EMERALD
 - GRAPHITE
 - GROTTO
 - GUN METAL
 - HUNTER GREEN
 - IMPERIAL BLUE
 - JADE
 - NAVY
 - NORTHWOODS GREEN
 - PAPRIKA
 - PLUM
 - PUTTY
 - REGIMENTAL BLUE
 - ROYAL BLUE
 - SLATE
 - SPACE BLUE
 - SUEDE
 - TERRA COTTA
 - TURQUOISE
 - WHEAT
 - CUSTOM

- LANGUAGE OPTION**
- SELECT LANGUAGE
- 01 ENGLISH
 - 02 GERMAN
 - 03 FRENCH
 - 04 SPANISH
 - 05 ITALIAN
 - 06 DUTCH
 - 07 JAPANESE
 - 08 PORTUGUESE
 - 10 RUSSIAN
 - 11 TURKISH
 - 12 CHINESE
 - 13 ARABIC

- WEIGHT STACK OPTION**
- P - BASE STACK
 - C - LIGHT STACK
 - X - HEAVY STACK
 - POUNDS
 - KILOGRAMS

- SHROUD OPTION**
- REAR
 - FRONT/REAR

- SHROUD WRAP OPTION**
- (FRONT ONLY)
- BAMBOO
 - BLACK CARBON FIBER
 - BRONZE
 - FULL SHROUD
 - PREMIUM STAINLESS STEEL
 - ROSEWOOD
 - SKY
 - STAINLESS STEEL
 - STEM
 - CUSTOM

- TRIM OPTION**
- S PLASTIC TOWER CAP STANDARD GRIP NO REP COUNTER 
 - L PAINTED CAST TOWER CAP ERGO GRIP REP COUNTER 

KEY

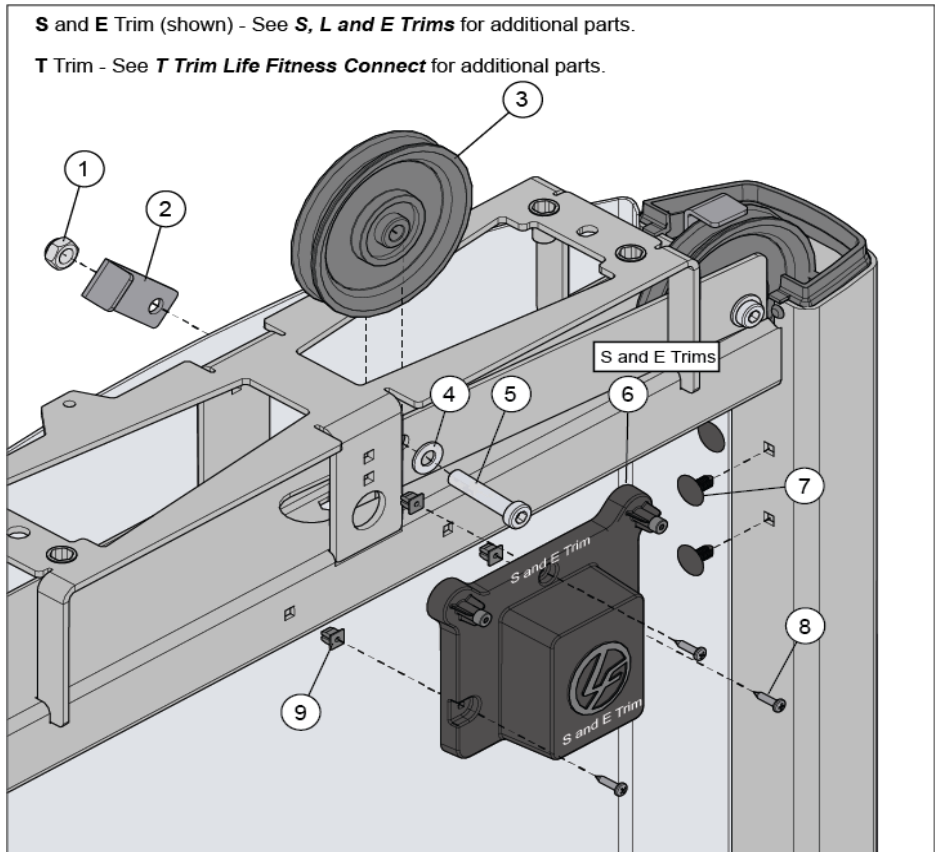
LANGUAGE ① ② ③
Items with Black call-outs require the last two digits (XX) to be replaced with language codes listed above. IE: 12345XX should be 1234501 for English.

UPHOLSTERY ① ② ③
Items with Gray call-outs require the upholstery color within the order notes. IE: Putty.

FRAME COLOR ① ② ③
Items with Blue call-outs require the powder coat frame color to be within the order notes.

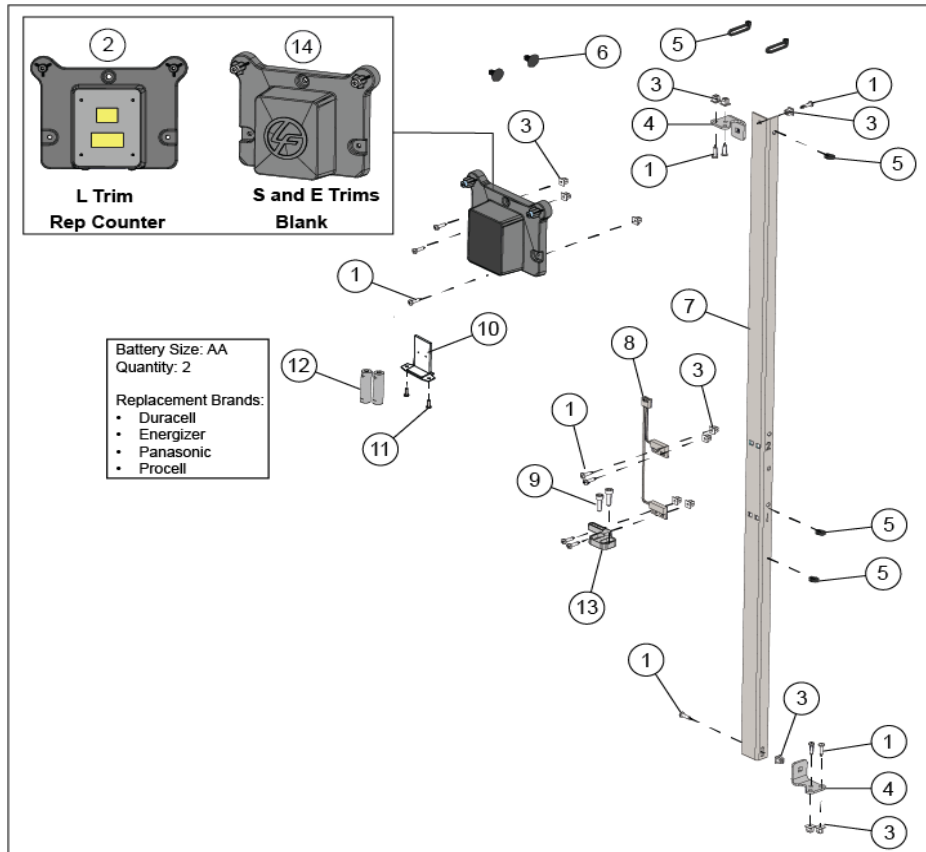
Ref #	Part Number	Qty	Description
-	LEGEND_DESCRIPTION	1	LEGEND DESCRIPTION

S and E Trim Tower Top



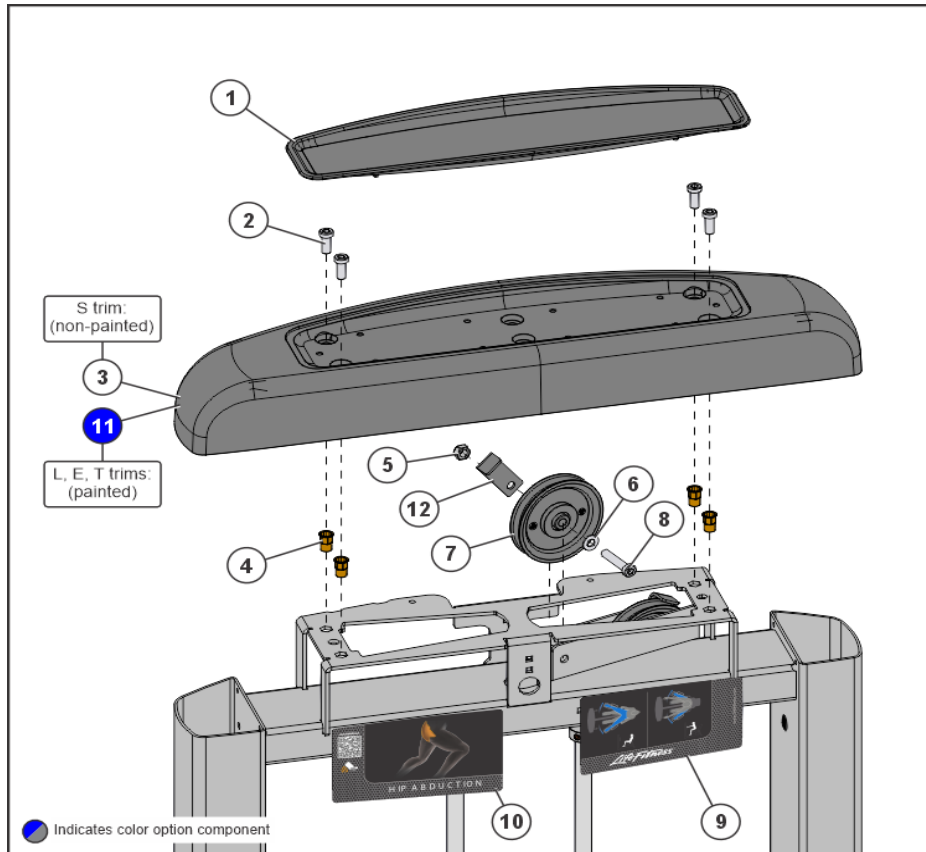
Ref #	Part Number	Qty	Description
1	3236801	1	NUT, NYLOCK M10 X 1.5 SS
2	6757701	1	CLIP, CABLE 2-7/8 X 1 X 1
3	9319901	1	PULLEY, 3/16 IN CABLE (T2), 4.5 IN OD
4	3236601	1	WASHER, 3/8 SAE STAINLESS STEEL
5	3236207	1	M10 X 1.5 X 50 SHCS, LOW HEAD
6	1006334-0001	1	ASSY, DUMMY HOUSING
7	1006620-0001	2	RETAINER: PANEL, 9/32 X 1/2 NYL
8	3275801	3	SCREW, 8 X 3/4 DIN PHL PAN AB ST ZB
9	0017-00042-1147	3	GROMMET: SCREW, 8 OR 10

S, L and E Trims



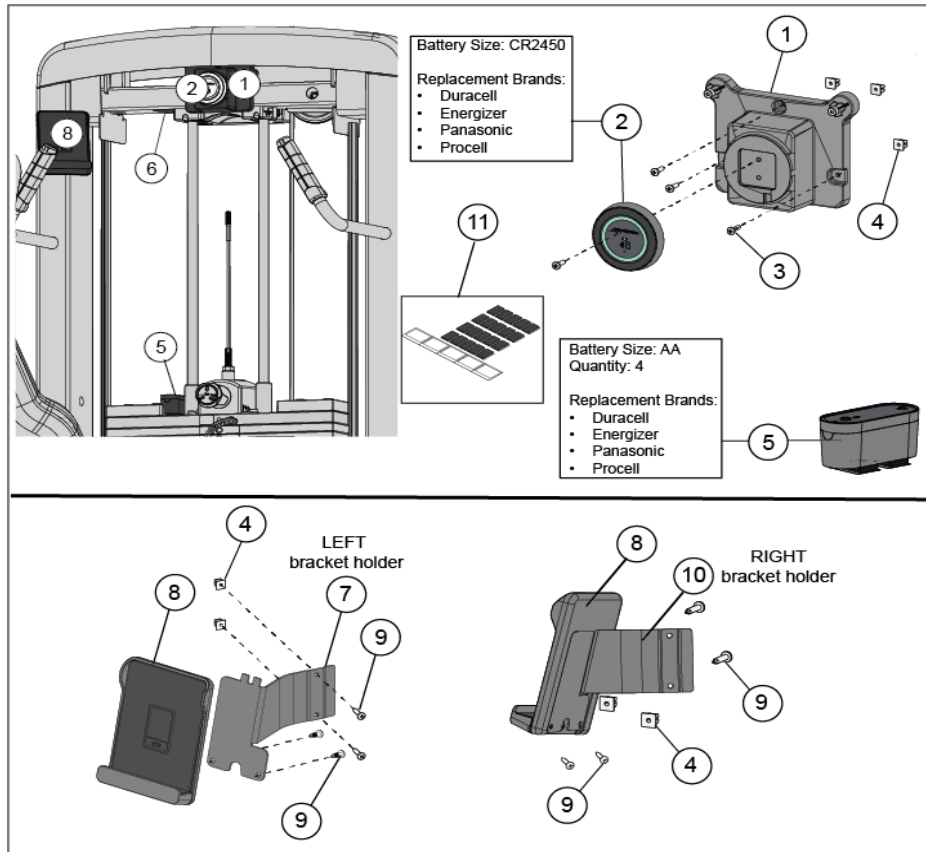
Ref #	Part Number	Qty	Description
1	3275801	13	SCREW, 8 X 3/4 DIN PHL PAN AB ST ZB
2,8	1008199-0001	2	ASSY: REP COUNTER/SWITCH/MAGNET
3	0017-00042-1147	13	GROMMET: SCREW, 8 OR 10
4	1007269-0028	2	BRACKET: RAIL MOUNT, REP CNTR -CHR
5	3276501	5	CABLE TIE 11 IN.
6	1006620-0001	2	RETAINER: PANEL, 9/32 X 1/2 NYL
7	1025414-0028	1	BRACKET: SWITCH MNT, SS-GLB, CHR
9	3241701	2	M6 X 1 X 20MM SHCS, STD HEAD
10	9436401	1	DOOR, BATTERY PACK MOUNT
11	3226003	2	6-20 X 8 PHL PAN PLT ST BZ
12	3276401	2	BATTERY, AA
13	1007177-0001	1	ASSY: MAGNET, REP CNTR DCI
14	1006334-0001	1	ASSY, DUMMY HOUSING

Tower Top



Ref #	Part Number	Qty	Description
1	9411201	1	TRAY, TOWER TOP CAP
2	3236202	4	M10 X 1.5 X 25 SHCS, LOW HEAD
3	9436701	1	CAP, TOWER, TOP, PLASTIC
4	3275401	4	M10X1.5 BLIND THREADED INSERT (HEX) -HVY
5	3236801	2	NUT, NYLOCK M10 X 1.5 SS
6	3236601	2	WASHER, 3/8 SAE STAINLESS STEEL
7	9319901	2	PULLEY, 3/16 IN CABLE (T2), 4.5 IN OD
8	3236207	2	M10 X 1.5 X 50 SHCS, LOW HEAD
9	1025627-0001	1	LABEL: SS-SHB PLACARD, RH
10	1025649-0001	1	LABEL: SS-SHB PLACARD, LH - ENG
10	1025649-0010	1	LABEL: SS-SHB PLACARD, LH - RUS
10	1025649-0012	1	LABEL: SS-SHB PLACARD, LH - CHI
10	1025649-0004	1	LABEL: SS-SHB PLACARD, LH - SPN
10	1025649-0007	1	LABEL: SS-SHB PLACARD, LH - JAP
10	1025649-0008	1	LABEL: SS-SHB PLACARD, LH - POR
11	9412600	1	CAP, SS, CAST Custom
12	6757701	2	CLIP, CABLE 2-7/8 X 1 X 1

T Trim Life Fitness Connect



Ref #	Part Number	Qty	Description
1	1024337-0001	1	HOUSING: INSIGNIA LF CONNECT, DISPLAY
2	1023949-0001	1	ASSEMBLY: LF CONNECT, PUCK
3,9	3275801	12	SCREW, 8 X 3/4 DIN PHL PAN AB ST ZB
4	0017-00042-1147	7	GROMMET: SCREW, 8 OR 10
5	1023947-0001	1	NC ASSEMBLY: LF CONNECT, MAIN UNIT
6	1023952-0001	1	TAPE: REFLECTOR FILM, M50X50
7	1018293-2801	1	BRACKET: DEVICE HOLDER, LEFT, 14 GA -CHR
8	1016970-0001	2	SHELF: DEVICE HOLDER SUBSASSY
10	1018305-2801	1	BRACKET: DEVICE HOLDER, RIGHT, 14 GA -CHR
11	1025095-0001	1	KIT: SELF INTERLOCKING TAPE & WIPES

