

INSIGNIA SERIES ROW Class X

SS-RW-4536005-X

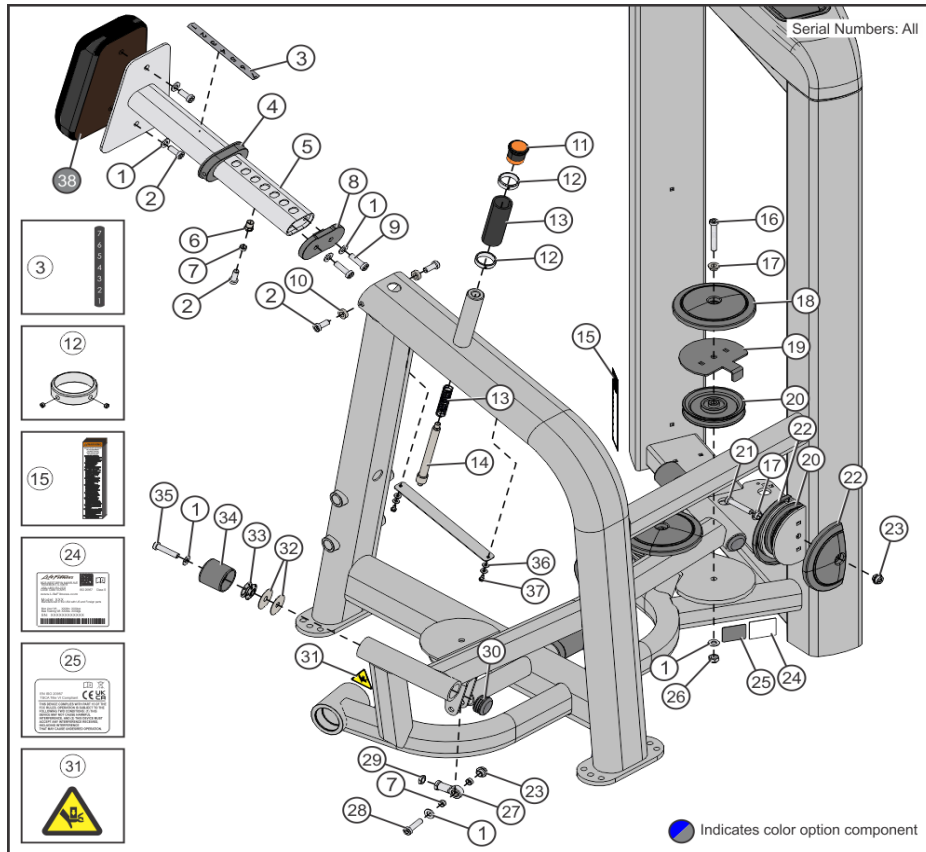
Parts Manual

4/17/2025 13:29:28 PM

Table of Contents

Baseframe	3
Base P-Stack	5
Base T-Stack Head Plate Assy (previous)	6
Base T-Stack (previous)	7
Cable	8
C and X Head Plate	9
C and X Increment Weights	10
Frame Painted Items	11
Full Shroud	12
Grips	13
Heavy X-Stack	14
Heavy X-Stack (previous)	15
Light C-Stack	16
Light C-Stack (previous)	17
L Trim Rep Counter	18
Previous C and X Increment Weights	19
Previous C and X Increment Weight Assembly	20
P-Stack Head Plate Assy	21
P-Stack Increment Weight	22
Rear Shroud	23
Seat Assembly	24
Shroud Wraps	26
S and L Trim Tower Top	28
Tower Top	29
Work Arm	30

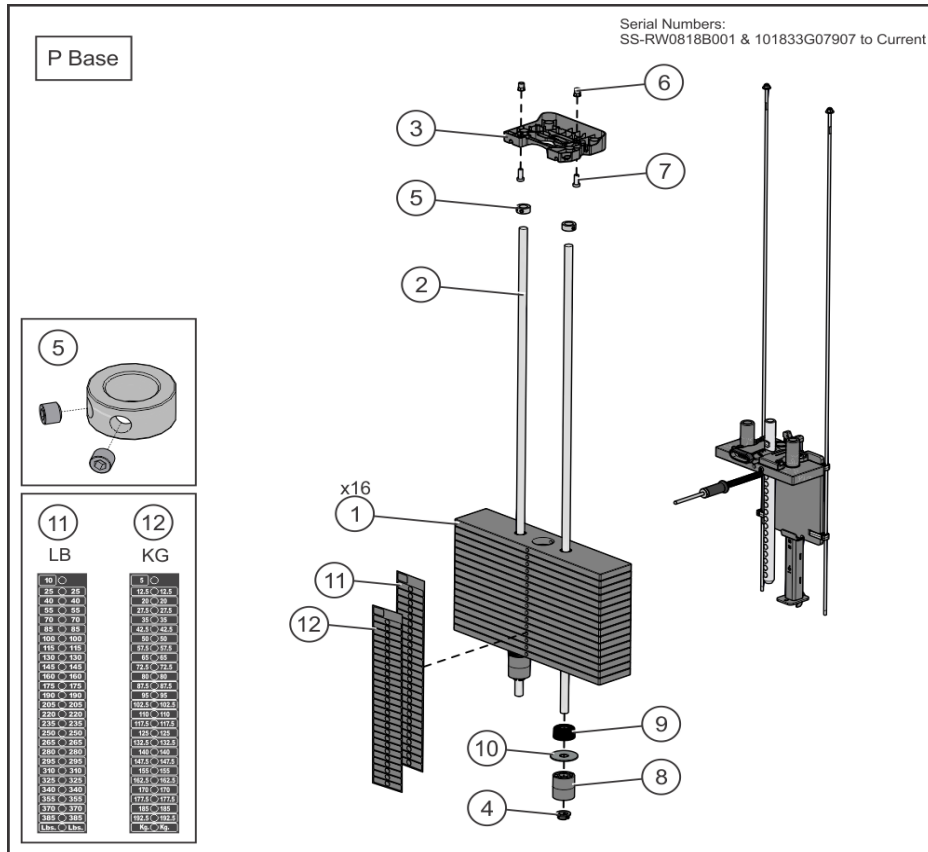
Baseframe



Ref #	Part Number	Qty	Description
1	3236601	16	WASHER, 3/8 SAE STAINLESS STEEL
2	3236202	10	M10 X 1.5 X 25 SHCS, LOW HEAD
3	9352301	2	LABEL; 7-1 STRAIGHT
4	7561002	2	GLIDE, 2.50 X 4.49 FLOV EXT
5	9348301	2	WLDMT, SS-RW CHEST PAD SUPP
6	3238601	2	M10X1.5 BLIND THREADED INSERT (HEX)
7	7489402	6	BSHNG, .500 OD X .402 ID X .235
8	7561102	2	CHARCOAL GRAY GLIDE, 2.50 X 4.49 FLOV INT
9	3236204	4	M10 X 1.5 X 35 SHCS, LOW HEAD
10	7385201	4	SPACER, .406 X .750 X .250 SS
11	9454703	2	KNOB, ADJ
12	8259501	4	RING, GRIP 1.52 OD X 1.30 ID
13	7351501	2	SPRING; PULL PIN LARGE
14	1000104-0001	2	PIN, PULL
15	8220000	2	LABEL, ASTM WARNING FW SELECT
16	3236210	2	M10 X 1.5 X 65 SHCS, LOW HEAD
17	7630101	4	RETAINER, CM/MJ, PULLEY
18	8102902	2	COVER, PULLEY-BOLTED FULL
19	7730901	2	BRKT, COVER/CABLE RETAINER WHITE
20	9319901	4	PULLEY, 3/16 IN CABLE (T2), 4.5 IN OD
21	3236208	2	M10 X 1.5 X 55 SHCS, LOW HEAD
22	8094102	4	COVER, PULLEY -BOLTED PARTIAL -CHGR

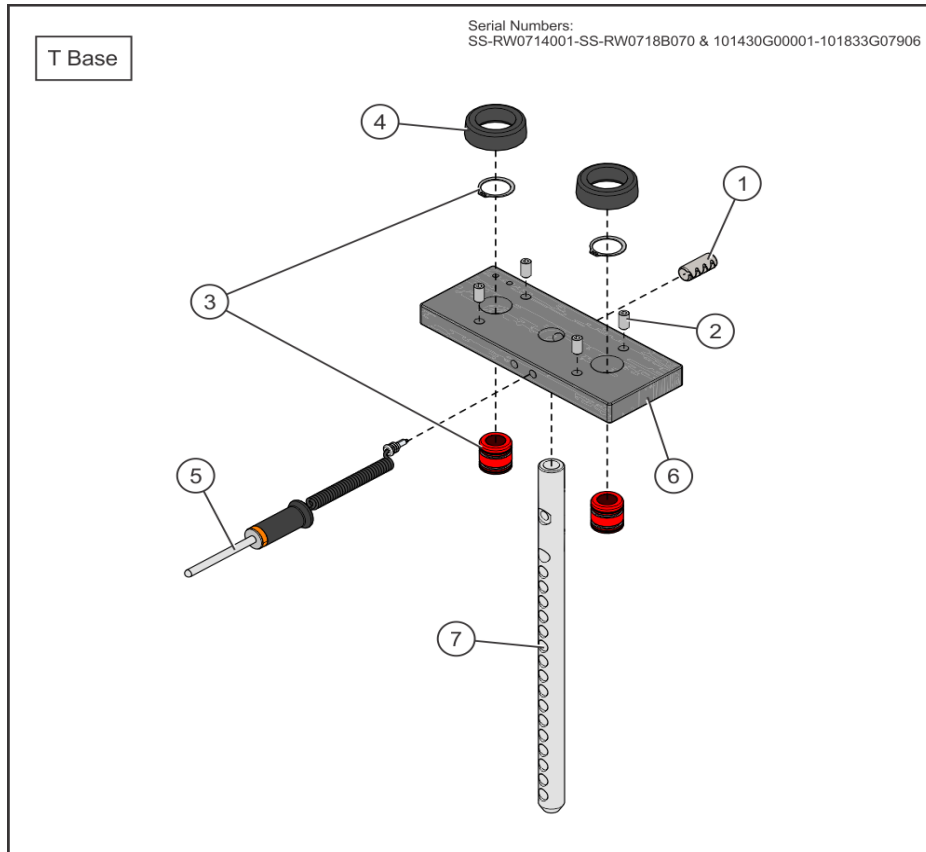
Ref #	Part Number	Qty	Description
23	7335401	2	NUT, M10 X 1.5 SOCKET HEAD
24	7571301	2	LABEL, SERIAL NUMBER
25	9488901	2	LABEL, INSIGNIA, FCC
26	3236801	2	NUT, NYLOCK M10 X 1.5 SS
27	3237901	2	ROD END, METRIC FEMALE
28	3236205	2	M10 X 1.5 X 40 SHCS, LOW HEAD
29	3236901	2	NUT, HEX JAM M10 X 1.5 SS
30	3119306	4	CAP, END 1-1/2 DIA, 8-12GA
31	8039501	2	LABEL, WARNING TRIANGLE
32	9455101	8	SHIM, 1.75" X .44"
33	7347301	4	NUT, SPIDER M10 X 1.5
34	9414501	4	BUMPER, HARD STOP
35	3236206	4	M10 X 1.5 X 45 SHCS, LOW HEAD
36	3114407	8	WASHER, FLAT #10 SAE ST BZ
37	3270601	4	SCREW, #10-32 X 3/8 TRX PAN ST BZ
38	1000008-0199	2	PAD, CHEST 10 X 7-5/8, NO BACKER, DBL STITCH- Custom
38	1000008-0099	2	PAD, CHEST 10 X 7-5/8, SNGL STITCH- Custom

Base P-Stack



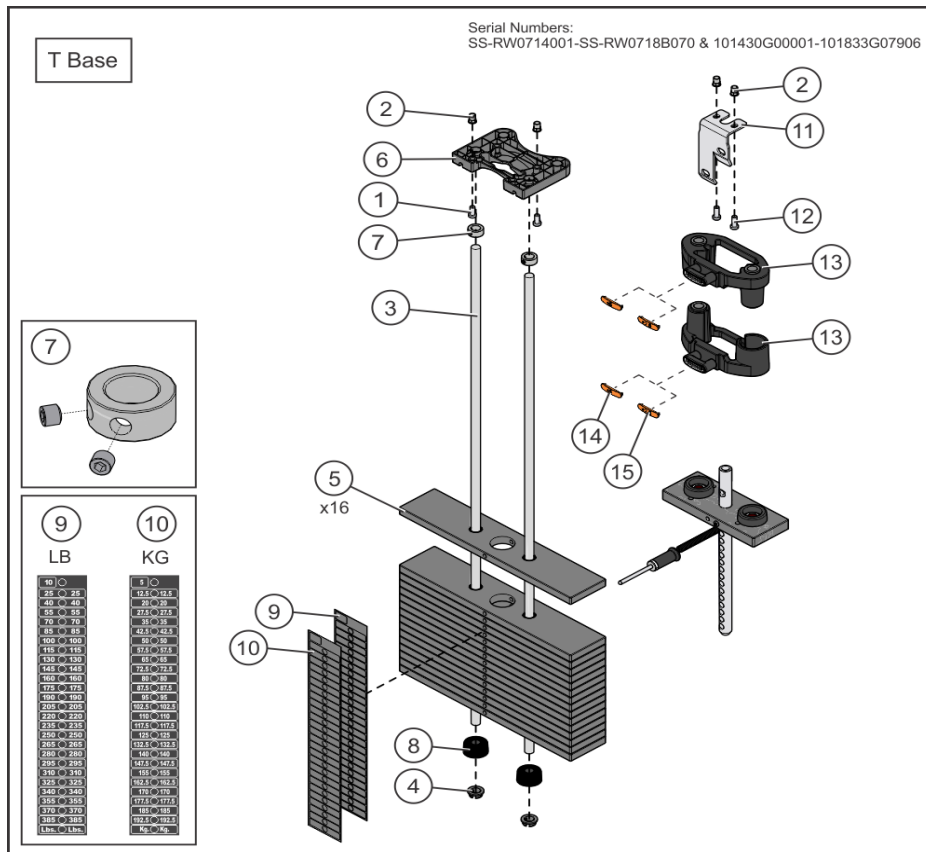
Ref #	Part Number	Qty	Description
1	9407601	32	WGT PL, 3/4IN X 4IN, 15LB
2	7328612	4	GUIDE ROD, .75 OD SOLID X 50.36
3	1015452-0001	2	RETAINER: GUIDE ROD, NYL
4	7337901	4	BUSHING, GUIDE ROD
5	3103301	4	SHAFT COLLAR, 3/4" ID ZINC
6	3238601	4	M10X1.5 BLIND THREADED INSERT (HEX)
7	3236202	4	M10 X 1.5 X 25 SHCS, LOW HEAD
8	1004349-0002	4	SPACER, WGT STK, 3 PL8
9	7352101	4	CUSHION, WEIGHT STACK
10	1010765-0001	4	WASHER: 0.80 OD, 11GA
11	9475101	2	LABEL, 3/4 IN WGT STACK, 385 LB
12	9475401	2	LABEL, 3/4 IN WGT STACK, 192.5 KG

Base T-Stack Head Plate Assy (previous)



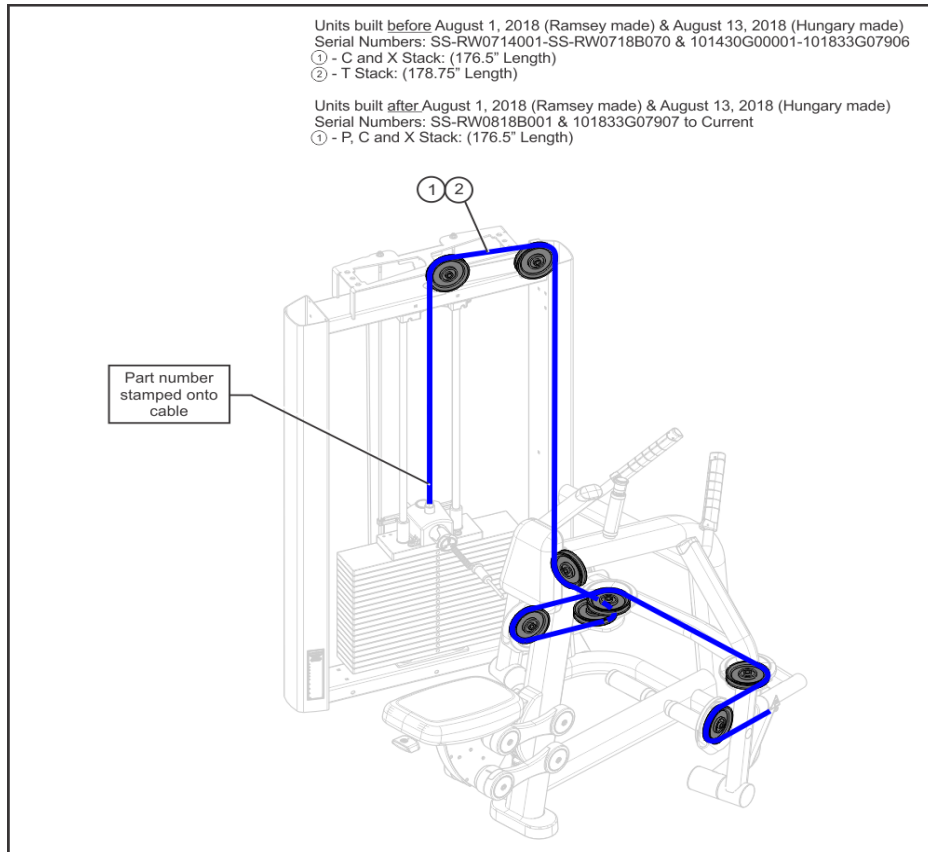
Ref #	Part Number	Qty	Description
1	3236001	2	BUSHING, SPRING PIN
2	3240501	8	M10 X 1.5 X 20 HXS NO CUP ST BO
3	7338001	4	BUSHING, HEADPLATE
4	7767602	4	BUMPER, INCREMENT WT -BLK
5	1003679-0003	2	ASSY, WGT STK SEL PIN -YEL
6	9427401	2	HEADPLATE, WT. STACK, 10LB
7	9434202	2	BAYONET, 16 PLATE

Base T-Stack (previous)



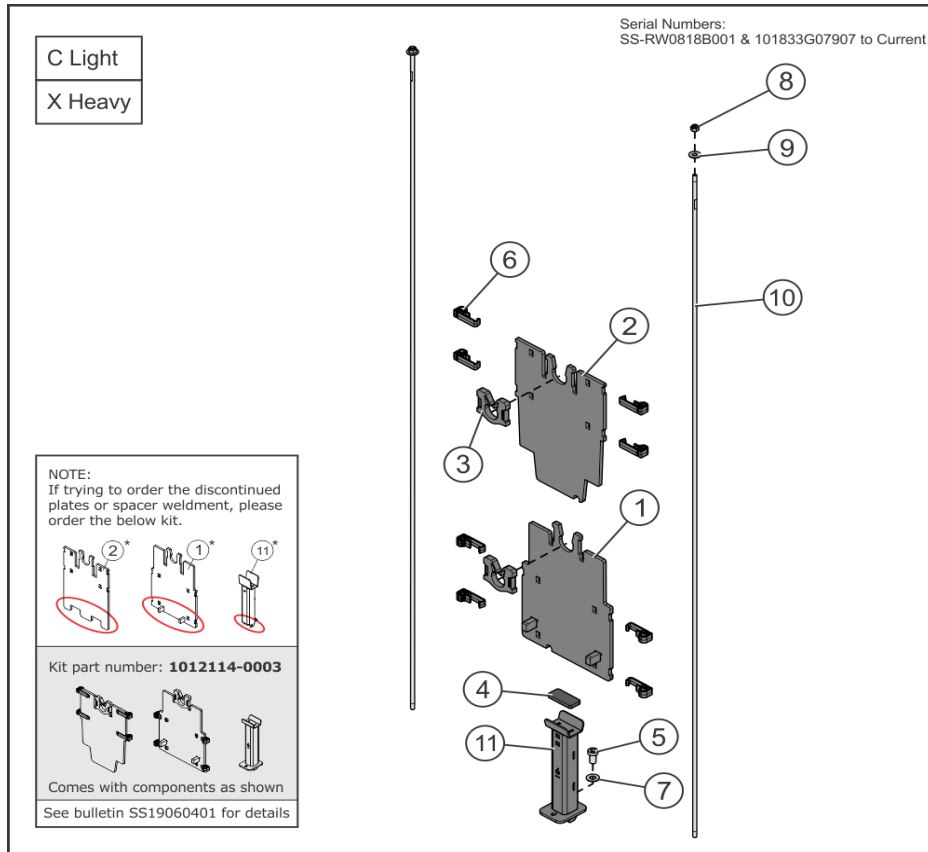
Ref #	Part Number	Qty	Description
1	3236203	4	M10 X 1.5 X 30 SHCS, LOW HEAD
2	3238601	8	M10X1.5 BLIND THREADED INSERT (HEX)
3	7328612	4	GUIDE ROD, .75 OD SOLID X 50.36
4	7337901	8	BUSHING, GUIDE ROD
5	9407601	32	WGT PL, 3/4IN X 4IN, 15LB
6	1015452-0001	2	RETAINER: GUIDE ROD, NYL
7	3103301	4	SHAFT COLLAR, 3/4" ID ZINC
8	7352101	4	CUSHION, WEIGHT STACK
9	9475101	2	LABEL, 3/4 IN WGT STACK, 385 LB
10	9475401	2	LABEL, 3/4 IN WGT STACK, 192.5 KG
11	9430801	2	BRKT, INC WGT STRIKER
12	3236202	4	M10 X 1.5 X 25 SHCS, LOW HEAD
13	9455403	4	ASSY, DD INC WGT -YEL
14	9462303	2	CAP, DD INC WGT, YEL -LBS
15	9462403	2	CAP, DD INC WGT, YEL -KG

Cable



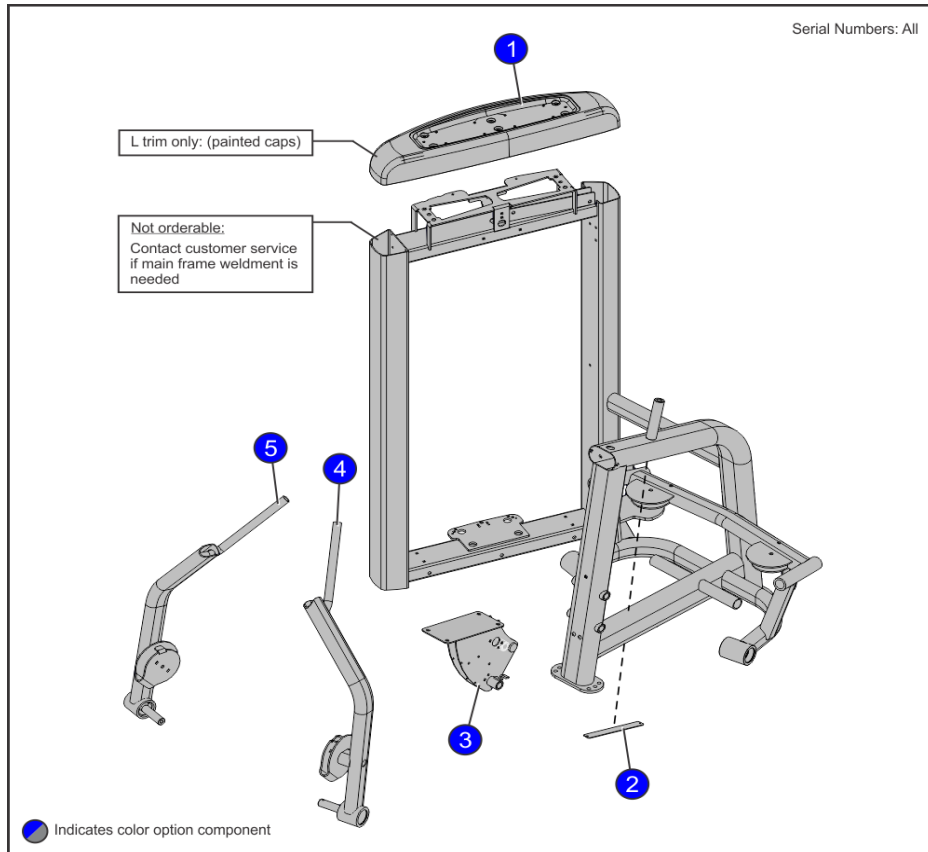
Ref #	Part Number	Qty	Description
1	9423504	2	CABLE, SS-RW, DIAL
2	9423503	2	CABLE, SS-RW, DROP

C and X Increment Weights



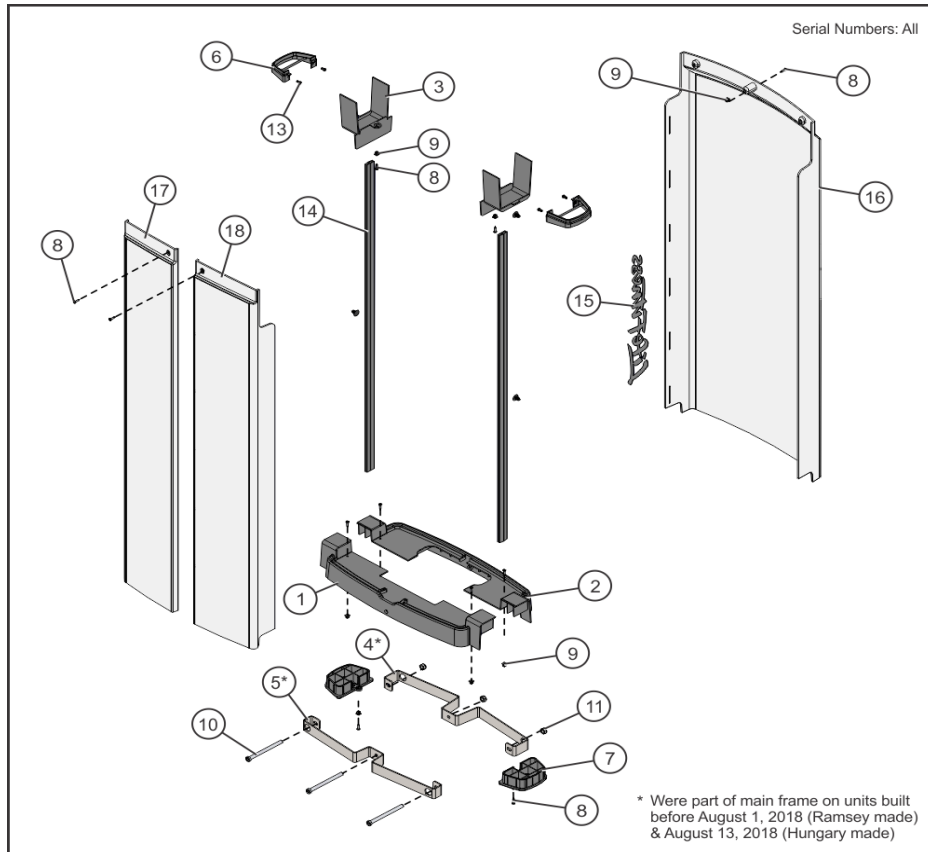
Ref #	Part Number	Qty	Description
1	1010971-2801	2	WLDMT: INC WEIGHT, 5LB, REAR -CHR
2	1010970-2801	2	PLATE: INC WEIGHT, 5LB, FRONT, 1/4" -CHR
3	1008920-0001	4	GUARD: INCREMENT WEIGHT, 0.25
4	1008552-0001	2	BUMPER: EA FOAM, INC WEIGHT
5	3236201	2	M10 X 1.5 X 20 SHCS, LOW HEAD
6	1010803-0001	16	GUIDE ROD ASSY: INCR WT, 1/4", CHARCOAL GRAY
7	3236601	2	WASHER, 3/8 SAE STAINLESS STEEL
8	3102806	4	NUT, NYLOCK 1/4-20
9	3102506	4	WASHER, FLAT 1/4 ID ZN
10	1008192-0002	4	GUIDE ROD: 0.25 OD SOLID, 54.75"
11	1010712-2801	2	WLDMT: BRACKET, INC WEIGHT SPACER, 6" -CHR

Frame Painted Items



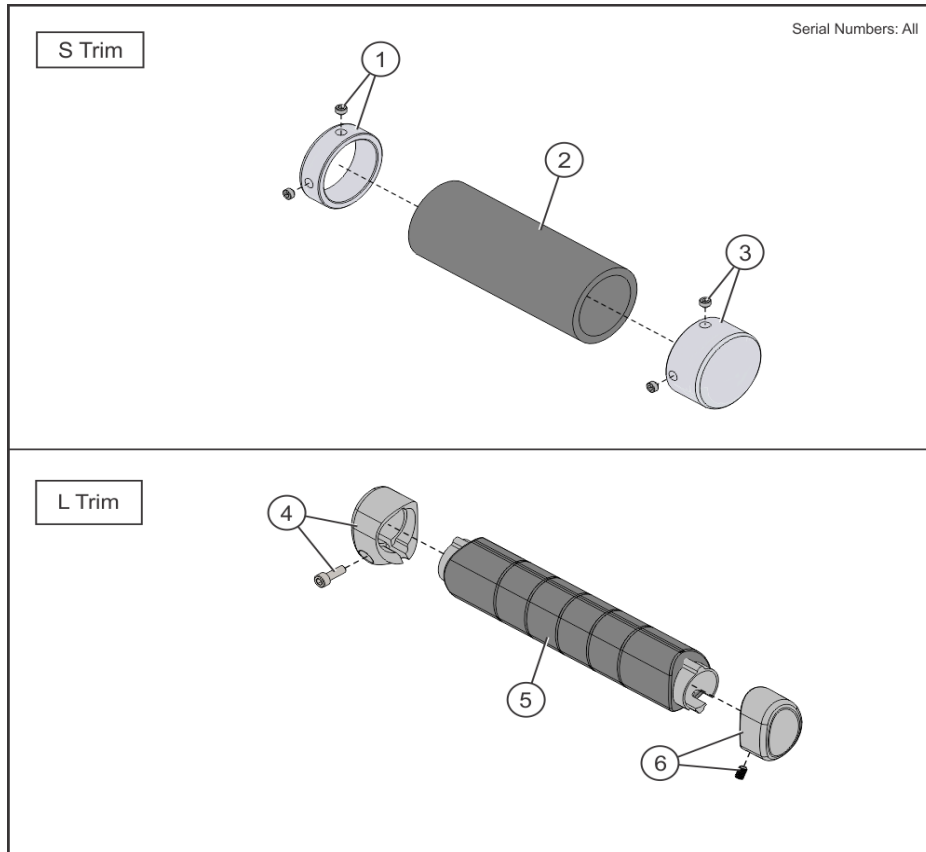
Ref #	Part Number	Qty	Description
1	9412600	2	CAP, SS, CAST Custom
2	8956601	2	Plate, PSSC Slot Cover
3	9448100	2	WLDMT, SS-RW/LR SEAT SUPPORT Custom
4	9348000	2	WLDMT, CAM / HARD STOP SS-AB Custom
5	9348100	2	WLDMT, SS-AB, LINKAGE Custom

Full Shroud



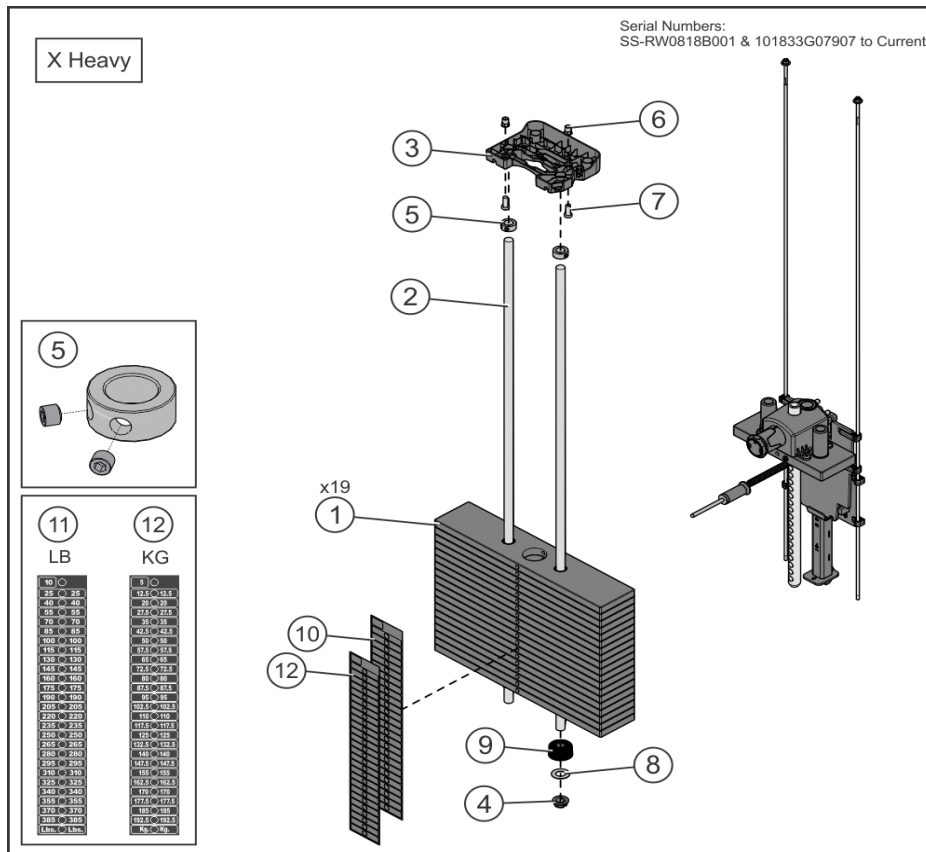
Ref #	Part Number	Qty	Description
1	9410801	2	COVER, TOWER BOTTOM -FRONT
2	1007064-0001	2	COVER: TOWER BOTTOM, REAR
3	9415701	4	COVER, SS, TWR
4	1007623-0001	2	BRACKET: TOWER GUARD, REAR
5	1007622-0001	2	BRACKET: TOWER GUARD, FRONT
6	9415801	4	GASKET, TRAP TUBE
7	9412701	4	ASSY, TRAP TUBE, CAP -BTM
8	3275801	22	SCREW, 8 X 3/4 DIN PHL PAN AB ST ZB
9	0017-00042-1147	18	GROMMET: SCREW, 8 OR 10
10	3236220	6	M10 X 1.5 X 130 SHCS, LOW HEAD
11	3236801	6	NUT, NYLOCK M10 X 1.5 SS
12	1006620-0001	8	RETAINER: PANEL, 9/32 X 1/2 NYL
13	0017-00101-1587	8	RVT 201X0413X.354 T NY NO
14	9414601	4	SHROUD EXTRUSION - SHORT
15	9489101	2	LABEL, LIFE FITNESS, 20IN.
16	9489001	2	SHROUD, SS, REAR, SRT
17	9410601	2	SHROUD, TOWER FRONT, LT - SHORT
18	9410701	2	SHROUD, TOWER FRONT, RT - SHORT

Grips



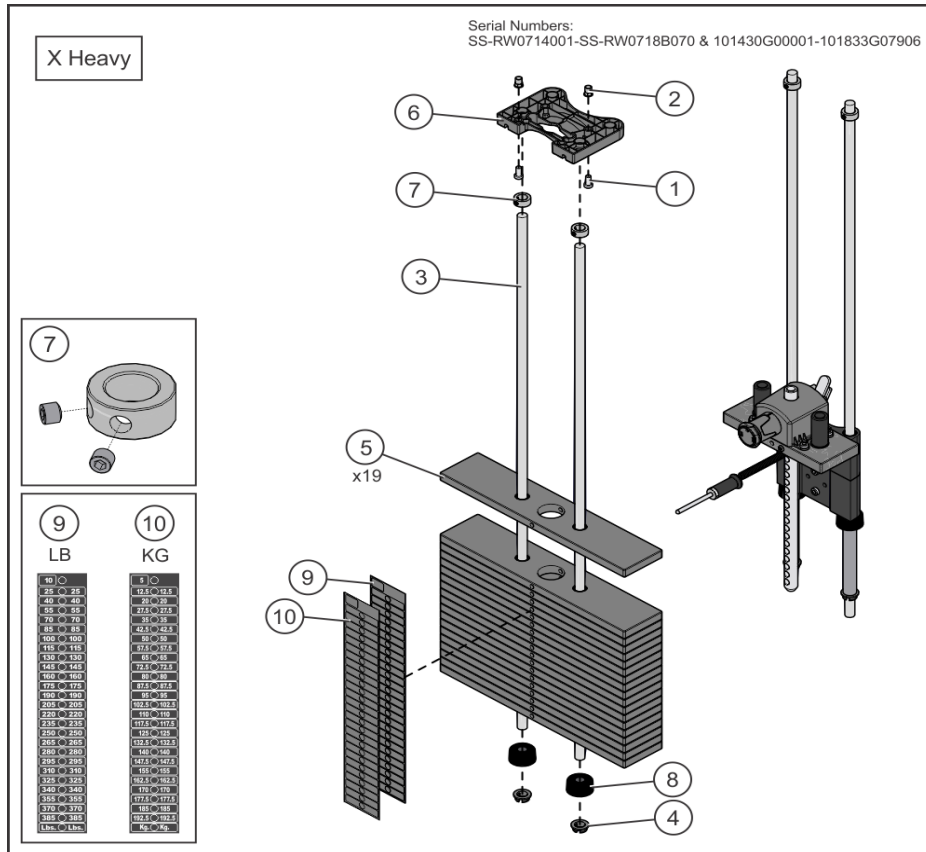
Ref #	Part Number	Qty	Description
1	7662802	2	RING, GRIP 1.50OD, 10-0133-025, BNR
2	3235807	2	GRIP, 1.50 OD X .25 WALL OPEN END
3	7662902	2	CAP, GRIP 1.50 OD, 10-0133-026, BNR
4	1001760-0001	2	ASSY, COLLAR, ERGO GRIP
5	9453002	2	GRIP, ERGO, OVERMOLD, 9.0
6	1001761-0001	2	ASSY, CAP, GRIP

Heavy X-Stack



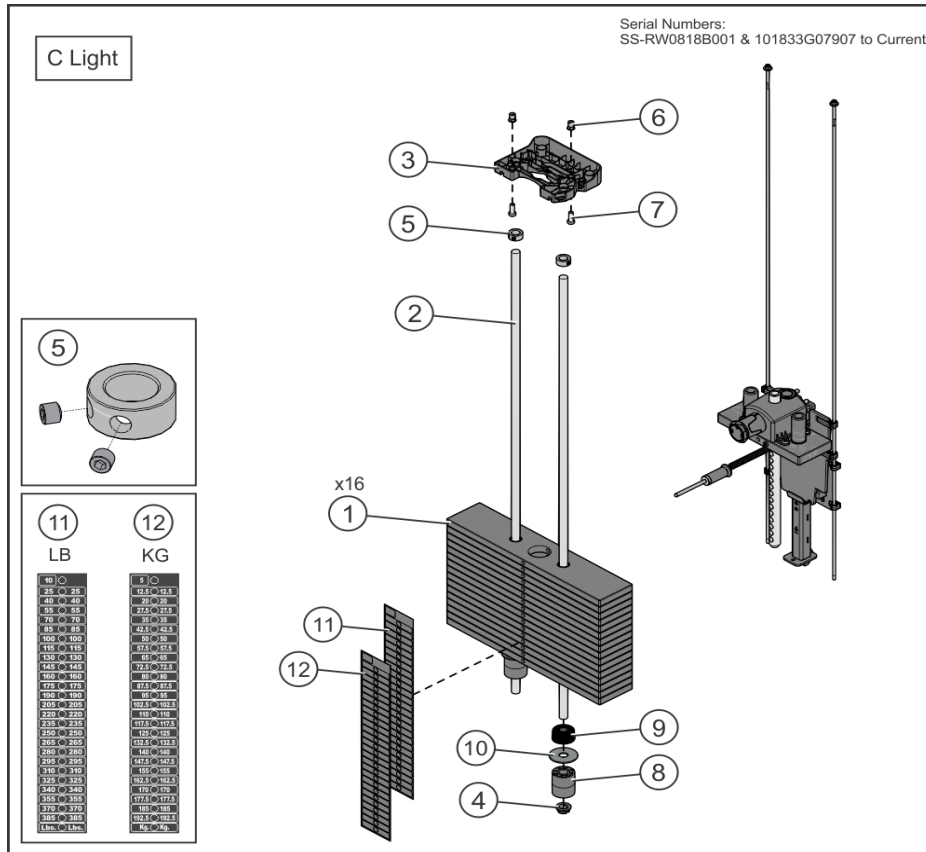
Ref #	Part Number	Qty	Description
1	9407601	38	WGT PL, 3/4IN X 4IN, 15LB
2	7328612	4	GUIDE ROD, .75 OD SOLID X 50.36
3	1015452-0001	2	RETAINER: GUIDE ROD, NYL
4	7337901	4	BUSHING, GUIDE ROD
5	3103301	4	SHAFT COLLAR, 3/4" ID ZINC
6	3238601	4	M10X1.5 BLIND THREADED INSERT (HEX)
7	3236202	4	M10 X 1.5 X 25 SHCS, LOW HEAD
8	7351001	4	SPACER, INC WT STACK
9	7352101	4	CUSHION, WEIGHT STACK
10	9475101	2	LABEL, 3/4 IN WGT STACK, 385 LB
11	9475401	2	LABEL, 3/4 IN WGT STACK, 192.5 KG

Heavy X-Stack (previous)



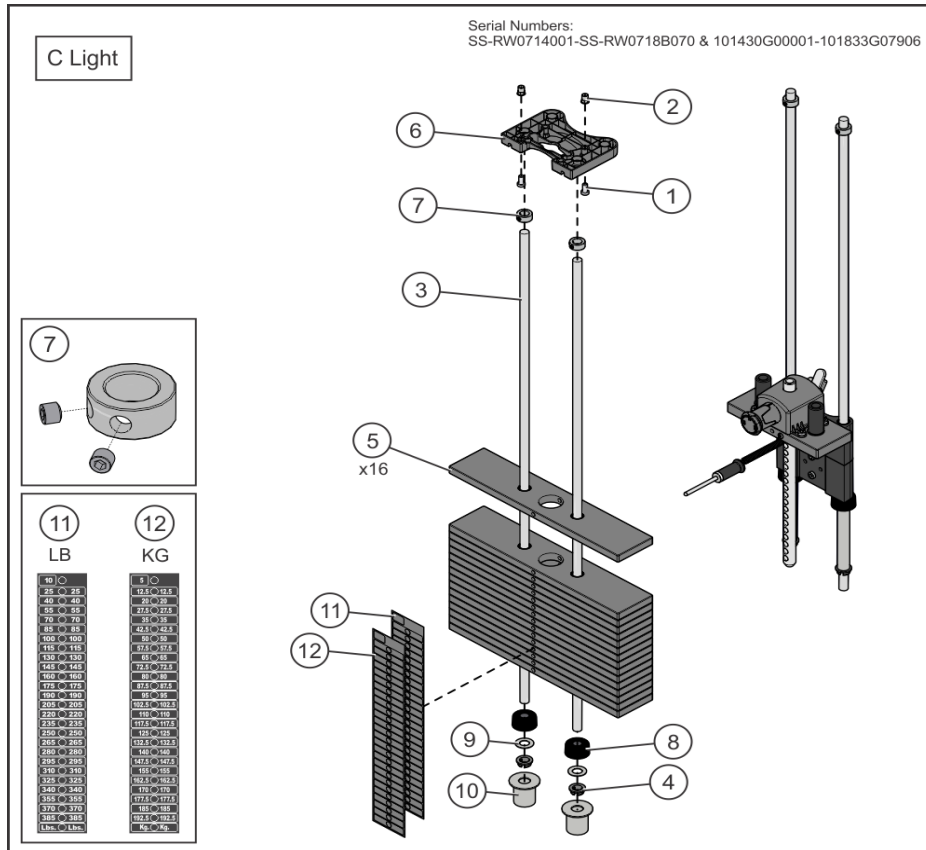
Ref #	Part Number	Qty	Description
1	3236202	4	M10 X 1.5 X 25 SHCS, LOW HEAD
2	3238601	4	M10X1.5 BLIND THREADED INSERT (HEX)
3	7328612	4	GUIDE ROD, .75 OD SOLID X 50.36
4	7337901	8	BUSHING, GUIDE ROD
5	9407601	38	WGT PL, 3/4IN X 4IN, 15LB
6	1015452-0001	2	RETAINER: GUIDE ROD, NYL
7	3103301	4	SHAFT COLLAR, 3/4" ID ZINC
8	7352101	4	CUSHION, WEIGHT STACK
9	9475101	2	LABEL, 3/4 IN WGT STACK, 385 LB
10	9475401	2	LABEL, 3/4 IN WGT STACK, 192.5 KG

Light C-Stack



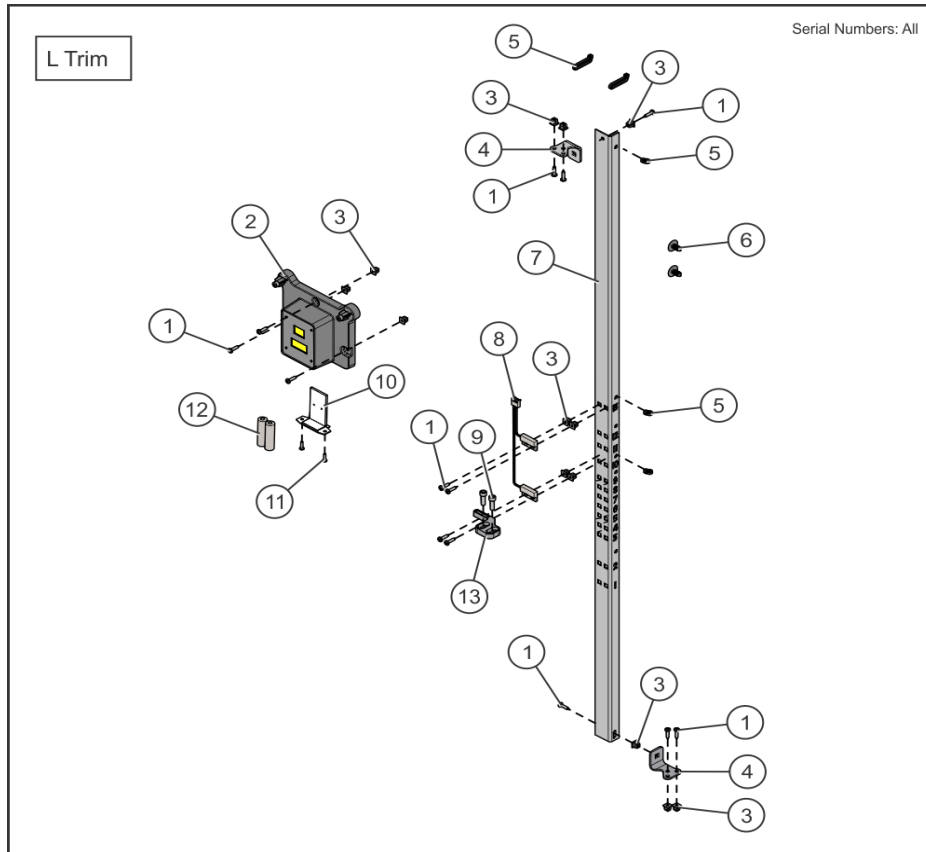
Ref #	Part Number	Qty	Description
1	9407601	32	WGT PL, 3/4IN X 4IN, 15LB
2	7328612	4	GUIDE ROD, .75 OD SOLID X 50.36
3	1015452-0001	2	RETAINER: GUIDE ROD, NYL
4	7337901	4	BUSHING, GUIDE ROD
5	3103301	4	SHAFT COLLAR, 3/4" ID ZINC
6	3238601	4	M10X1.5 BLIND THREADED INSERT (HEX)
7	3236202	4	M10 X 1.5 X 25 SHCS, LOW HEAD
8	1004349-0002	4	SPACER, WGT STK, 3 PL8
9	7352101	4	CUSHION, WEIGHT STACK
10	1010765-0001	4	WASHER: 0.80 OD, 11GA
11	9475101	2	LABEL, 3/4 IN WGT STACK, 385 LB
12	9475401	2	LABEL, 3/4 IN WGT STACK, 192.5 KG

Light C-Stack (previous)



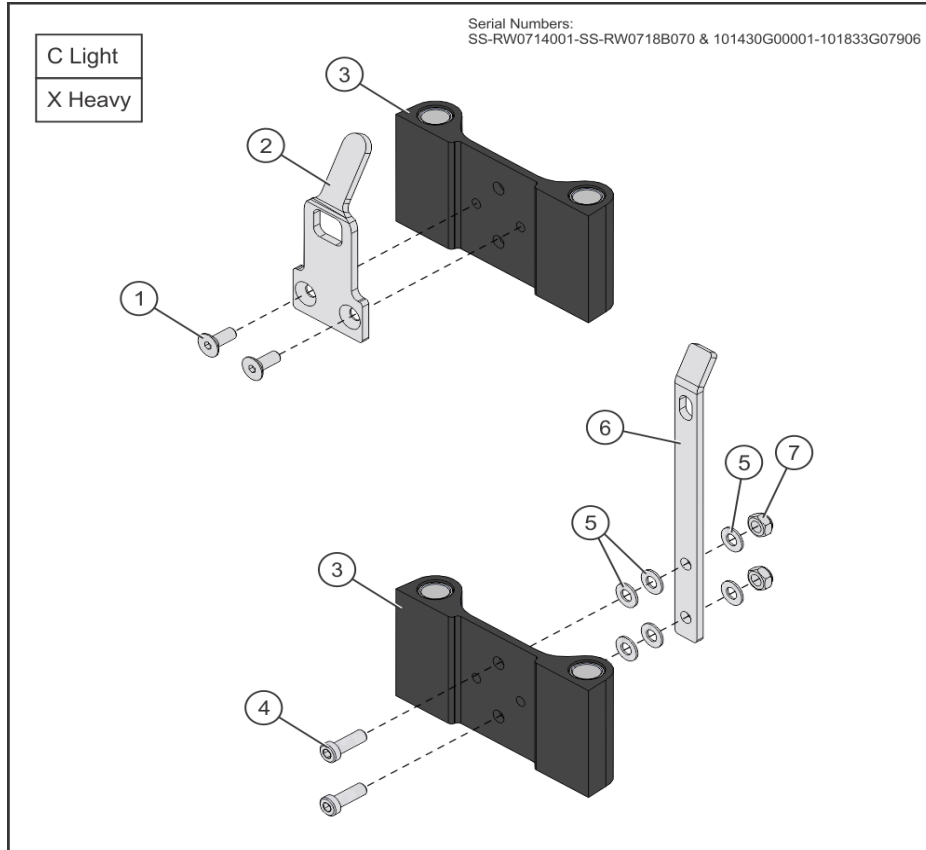
Ref #	Part Number	Qty	Description
1	3236202	4	M10 X 1.5 X 25 SHCS, LOW HEAD
2	3238601	4	M10X1.5 BLIND THREADED INSERT (HEX)
3	7328612	4	GUIDE ROD, .75 OD SOLID X 50.36
4	7337901	8	BUSHING, GUIDE ROD
5	9407601	32	WGT PL, 3/4IN X 4IN, 15LB
6	1015452-0001	2	RETAINER: GUIDE ROD, NYL
7	3103301	4	SHAFT COLLAR, 3/4" ID ZINC
8	7352101	4	CUSHION, WEIGHT STACK
9	7351001	4	SPACER, INC WT STACK
10	9495912	4	WLDMT, WGT STK SPACER X 2.25 -CHR
11	9475101	2	LABEL, 3/4 IN WGT STACK, 385 LB
12	9475401	2	LABEL, 3/4 IN WGT STACK, 192.5 KG

L Trim Rep Counter



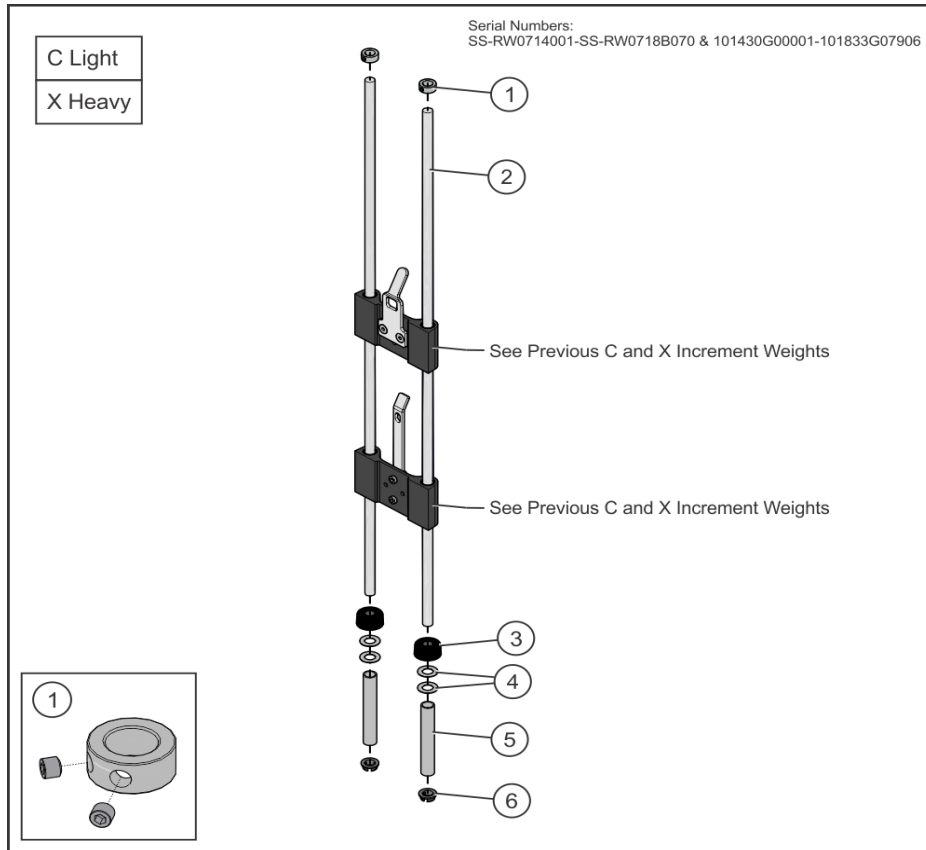
Ref #	Part Number	Qty	Description
1	3275801	26	SCREW, 8 X 3/4 DIN PHL PAN AB ST ZB
2,8	1008199-0001	4	ASSY: REP COUNTER/SWITCH/MAGNET
3	0017-00042-1147	26	GROMMET: SCREW, 8 OR 10
4	1007269-0028	4	BRACKET: RAIL MOUNT, REP CNTR -CHR
5	3276501	10	CABLE TIE 11 IN.
6	1006620-0001	4	RETAINER: PANEL, 9/32 X 1/2 NYL
7	1008003-0028	2	BRACKET: SWITCH MNT, STD -CHR
9	3241701	4	M6 X 1 X 20MM SHCS, STD HEAD
10	9436401	2	DOOR, BATTERY PACK MOUNT
11	3226003	4	6-20 X 8 PHL PAN PLT ST BZ
12	3276401	4	BATTERY, AA
13	1007177-0001	2	ASSY: MAGNET, REP CNTR DCI

Previous C and X Increment Weights



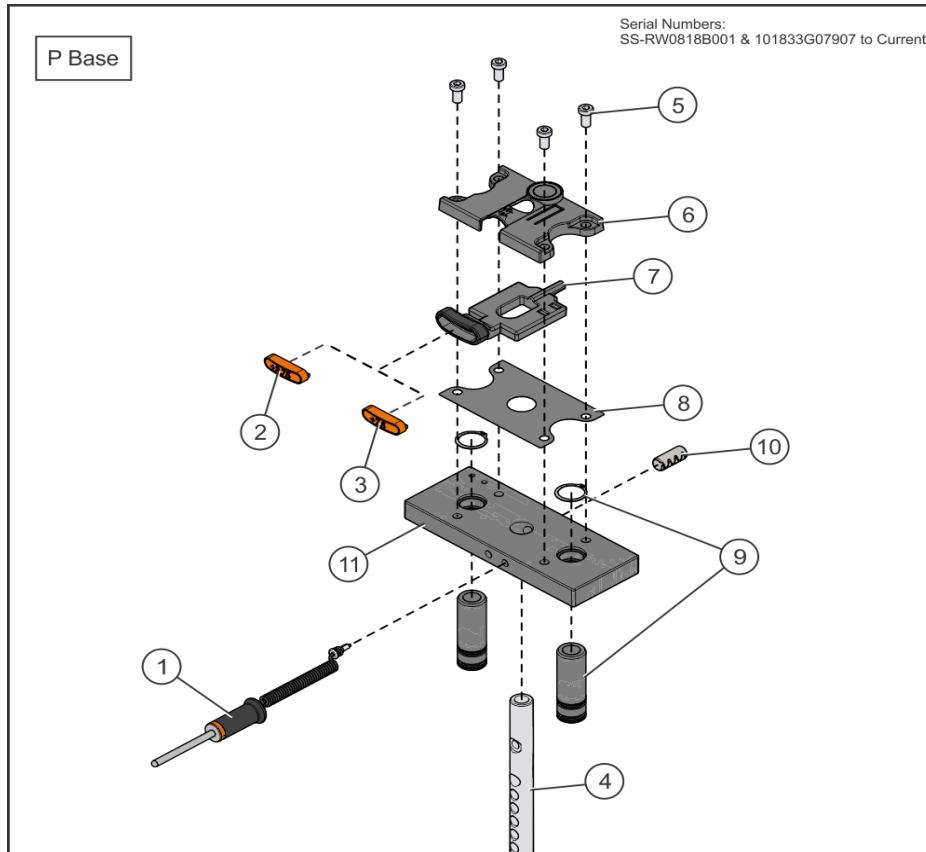
Ref #	Part Number	Qty	Description
1	3238302	4	SCREW, M10 FLTHD X 25MM
2	9428201	2	BRKT, INC WGT -5LB
3	9439701	4	ASSY, INC WGT, SUB
4	3275503	4	SCREW, M10 X 1.5 X 30 SHCS, LOW HEAD -NO PATCH
5	3236601	8	WASHER, 3/8 SAE STAINLESS STEEL
6	1001007-0001	2	BRKT, INC WGT -10LB
7	3236801	4	NUT, NYLOCK M10 X 1.5 SS

Previous C and X Increment Weight Assembly



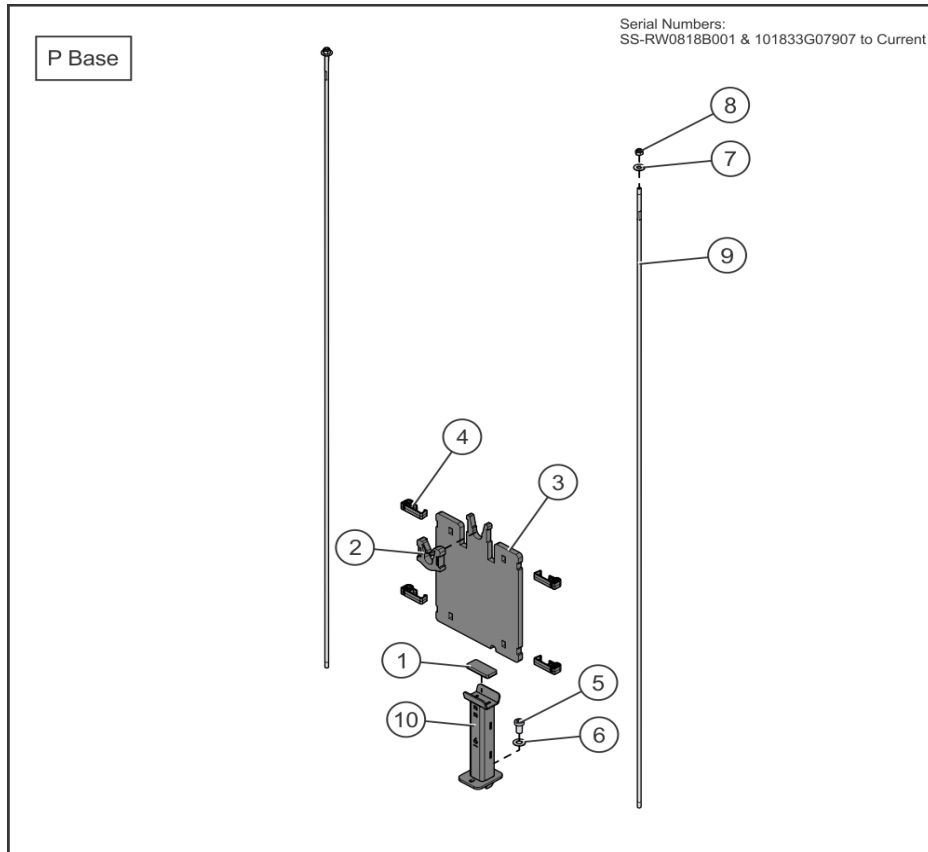
Ref #	Part Number	Qty	Description
1	3103301	4	SHAFT COLLAR, 3/4" ID ZINC
2	7328612	4	GUIDE ROD, .75 OD SOLID X 50.36
3	7352101	4	CUSHION, WEIGHT STACK
4	7351001	8	SPACER, INC WT STACK
5	7328704	4	SPACER, INC WT STACK 19 PLATE
6	7337901	4	BUSHING, GUIDE ROD

P-Stack Head Plate Assy



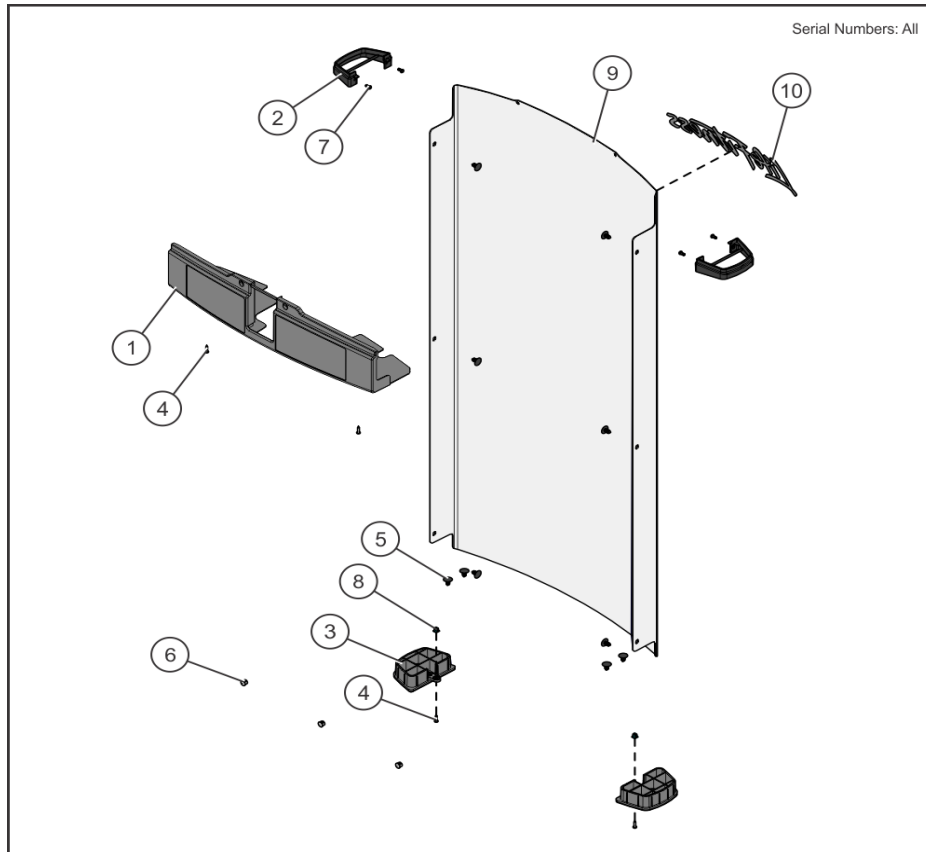
Ref #	Part Number	Qty	Description
1	1003679-0003	2	ASSY, WGT STK SEL PIN -YEL
2	1006751-0001	2	CAP: 3.75 KG INC WEIGHT - KG
3	1006750-0001	2	CAP, 7.5 LB INC WEIGHT - LBS
4	9434202	2	BAYONET, 16 PLATE
5	3236202	8	M10 X 1.5 X 25 SHCS, LOW HEAD
6	1017210-0001	2	HOUSHING: 7.5LB INC WEIGHT
7	1008675-0001	2	HANDLE: 7.5LB INC WT, PLASTIC
8	1006707-0001	2	DIE CUT: 7.5LB INC WEIGHT, NYLON SHEET, 0.020"
9	9296001	4	BUSHING, HEADPLATE, LONG
10	3236001	2	BUSHING, SPRING PIN
11	9427401	2	HEADPLATE, WT. STACK, 10LB

P-Stack Increment Weight



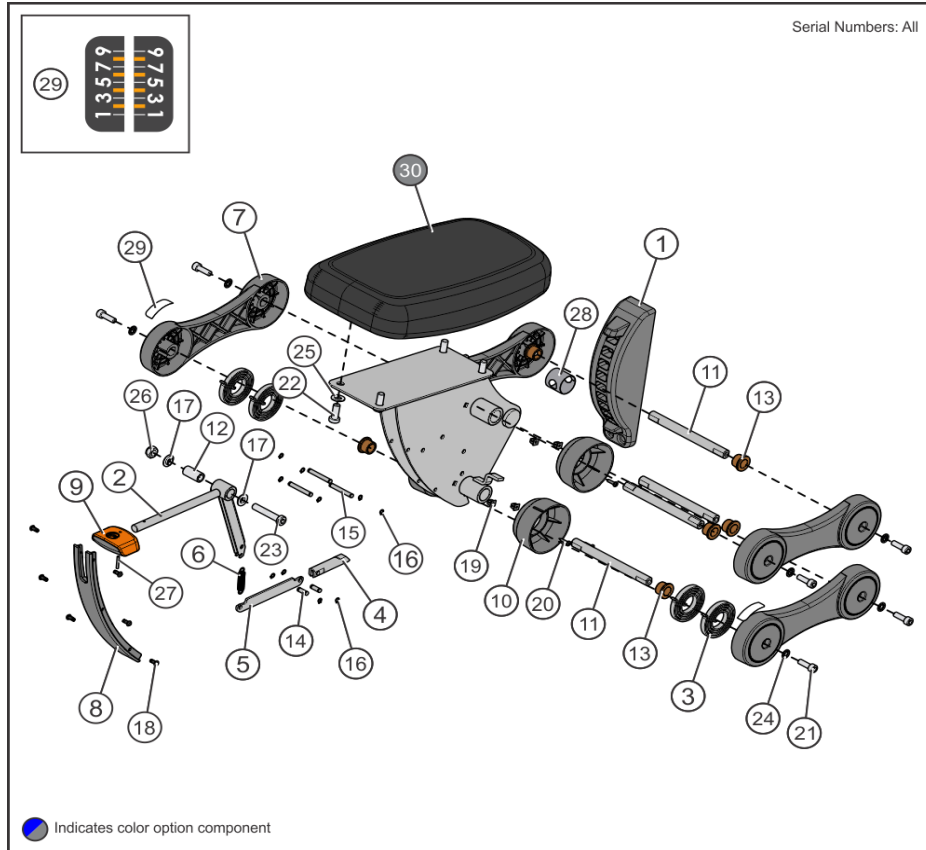
Ref #	Part Number	Qty	Description
1	1008552-0001	2	BUMPER: EA FOAM, INC WEIGHT
2	1008566-0001	2	GUARD: INCREMENT WEIGHT, 0.375
3	1008366-0028	2	PLATE: INCREMENT WEIGHT, 7.5LB - CHR
4	1010805-0001	8	GUIDE ROD ASSY: INCR WT, 3/8", CHARCOAL GRAY
5	3236201	2	M10 X 1.5 X 20 SHCS, LOW HEAD
6	3236601	2	WASHER, 3/8 SAE STAINLESS STEEL
7	3102506	4	WASHER, FLAT 1/4 ID ZN
8	3102806	4	NUT, NYLOCK 1/4-20
9	1008192-0002	4	GUIDE ROD: 0.25 OD SOLID, 54.75"
10	1010712-2801	2	WLDMT: BRACKET, INC WEIGHT SPACER, 6" -CHR

Rear Shroud



Ref #	Part Number	Qty	Description
1	1018509-0001	2	ASSY: TOP TRIM, PLACARD MNT
2	9415801	4	GASKET, TRAP TUBE
3	9412701	4	ASSY, TRAP TUBE, CAP -BTM
4	3275801	4	SCREW, 8 X 3/4 DIN PHL PAN AB ST ZB
5	1006620-0001	20	RETAINER: PANEL, 9/32 X 1/2 NYL
6	3237405	6	PLUG, 7/16 IN HOLE
7	0017-00101-1587	8	RVT 201X0413X.354 T NY NO
8	0017-00042-1147	4	GROMMET: SCREW, 8 OR 10
9	1009335-0001	2	SHROUD: REAR, W/LOGO, STD
10	1008491-0001	2	LABEL, LIFE FITNESS, 16IN

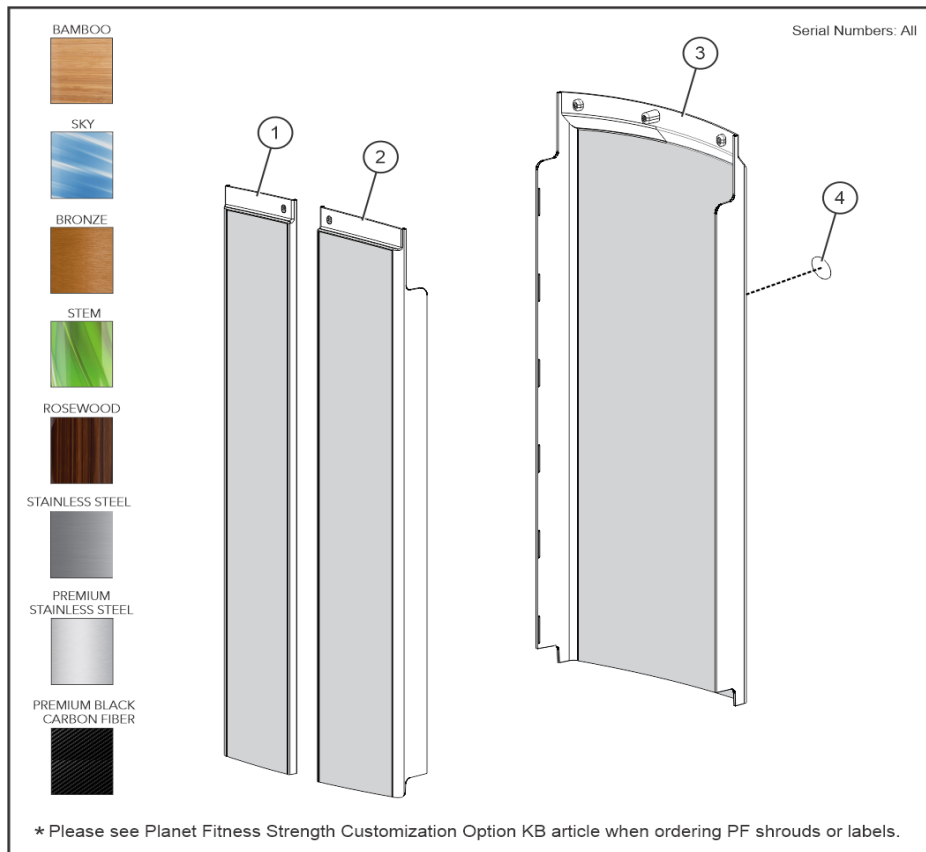
Seat Assembly



Ref #	Part Number	Qty	Description
1	1000144-0001	2	ADJUST BRKT, SS RF SEAT
2	9402028	2	WLDMT, SS-FLY SEAT HANDLE, CHR
3	9365401	4	SPRING, SPIRAL TORSION
4	9401101	2	PULLPIN, SS-SEAT
5	9401001	2	PLATE, SS-SEAT HANDLE CONNECT
6	3239201	2	SPRING, EXT, .375 X .049 X 2.0
7	9365228	2	SEAT LINK, CAST -CHR
8	9402201	2	GUARD, SS-SEAT, CHR
9	9402503	2	HANDLE, SS-SEAT - YEL
10	9402801	8	ADJUST RING, SS-SEAT, CHR
11	9448401	8	SHAFT, SS-SEAT, 15MM
12	7776501	2	SHAFT, .625 X .406 X 1.200
13	3275004	16	BEARING, FLANGE, METRIC 15MM
14	7407501	4	PIN, LINK X .520
15	9541701	6	PIN, LINK
16	3232401	20	RNG, BRE .230,5100-25, ST,PP,B
17	7776401	4	SPACER, FLANGE .406 X .495 X .81
18	0017-00101-1587	12	RVT 201X0413X.354 T NY NO
19	0017-00042-1147	16	GROMMET: SCREW, 8 OR 10
20	3275801	16	SCREW, 8 X 3/4 DIN PHL PAN AB ST ZB
21	3276202	16	SCREW, SHCS M8 X 1.25 X "L"
22	3236201	8	M10 X 1.5 X 20 SHCS, LOW HEAD

Ref #	Part Number	Qty	Description
23	3236208	2	M10 X 1.5 X 55 SHCS, LOW HEAD
24	3239502	16	WSH, 326-.602-031 IN-D ST ZN
25	3236601	8	WASHER,3/8 SAE STAINLESS STEEL
26	3236801	2	NUT, NYLOCK M10 X 1.5 SS
27	3110010	2	ROLL PIN, 1/8 X DIA X 7/8
28	9485701	2	PAINT GUARD, PIN HOUSING
29	9480801	2	LABEL; SEAT POSITION, SMALL
30	1000019-0199	2	PAD, 15 X 9 RECTANGULAR CUS, DBL STITCH- Custom
30	1000019-0099	2	PAD, 15 X 9 RECTANGULAR CUS, SNGL STITCH- Custom

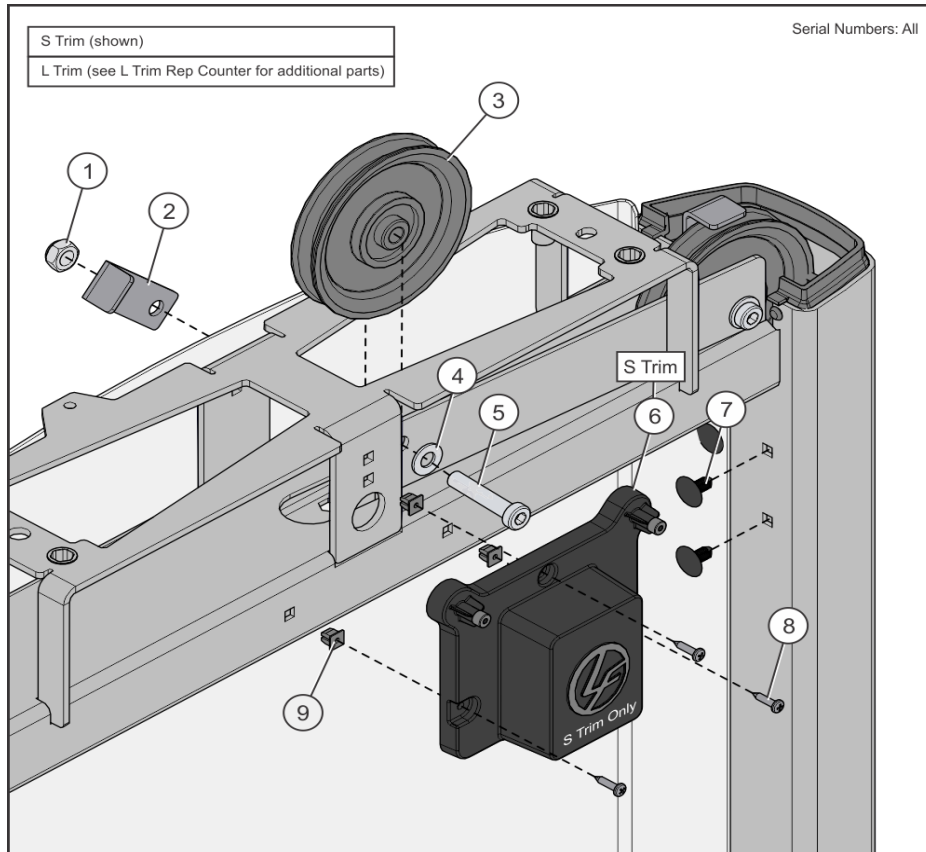
Shroud Wraps



Ref #	Part Number	Qty	Description
1	1003204-0007	2	SHROUD, SS, FNT, LT, SRT, ABS-SS
1	1003204-0009	2	SHROUD, SS, FNT, LT, SRT, ABS-PBCF
1	1003204-0008	2	SHROUD, SS, FNT, LT, SRT, ABS-PSS
1	1003204-0006	2	SHROUD, SS, FNT, LT, SRT, ABS-RSW
1	1003204-0005	2	SHROUD, SS, FNT, LT, SRT, ABS-STM
1	1003204-0004	2	SHROUD, SS, FNT, LT, SRT, ABS-BRZ
1	1003204-0003	2	SHROUD, SS, FNT, LT, SRT, ABS-SKY
1	1003204-0002	2	SHROUD, SS, FNT, LT, SRT, ABS-BAM
2	1003203-0007	2	SHROUD, SS, FNT, RT, SRT, ABS-SS
2	1003203-0008	2	SHROUD, SS, FNT, RT, SRT, ABS-PSS
2	1003203-0009	2	SHROUD, SS, FNT, RT, SRT, ABS-PBCF
2	1003203-0004	2	SHROUD, SS, FNT, RT, SRT, ABS-BRZ
2	1003203-0006	2	SHROUD, SS, FNT, RT, SRT, ABS-RSW
2	1003203-0002	2	SHROUD, SS, FNT, RT, SRT, ABS-BAM
2	1003203-0005	2	SHROUD, SS, FNT, RT, SRT, ABS-STM
2	1003203-0003	2	SHROUD, SS, FNT, RT, SRT, ABS-SKY
3	1003205-0006	2	SHROUD, SS, REAR, SRT, ABS-RSW
3	1003205-0007	2	SHROUD, SS, REAR, SRT, ABS-SS
3	1003205-0008	2	SHROUD, SS, REAR, SRT, ABS-PSS
3	1003205-0004	2	SHROUD, SS, REAR, SRT, ABS-BRZ
3	1003205-0003	2	SHROUD, SS, REAR, SRT, ABS-SKY
3	1003205-0002	2	SHROUD, SS, REAR, SRT, ABS-BAM

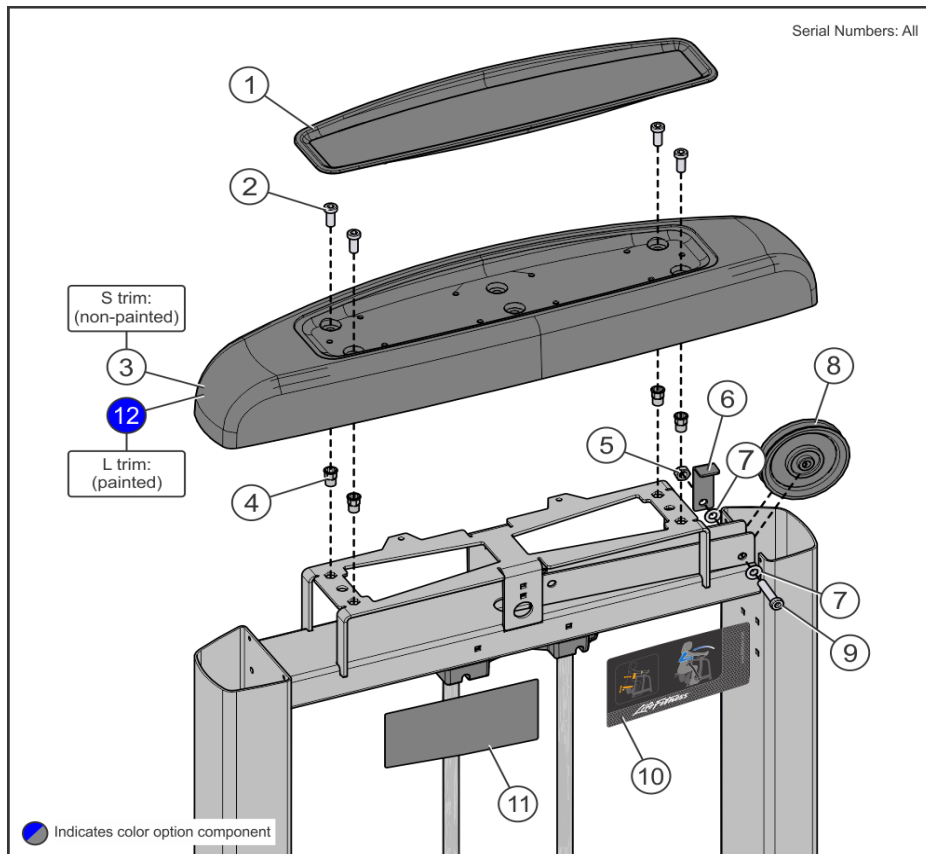
Ref #	Part Number	Qty	Description
3	1003205-0009	2	SHROUD, SS, REAR, SRT, ABS-PBCF
3	1003205-0005	2	SHROUD, SS, REAR, SRT, ABS-STM
4	AK58-00245-2401	2	MEDALLION-ASSY: BUG, LIFE FITNESS, CHARCOAL GRAY

S and L Trim Tower Top



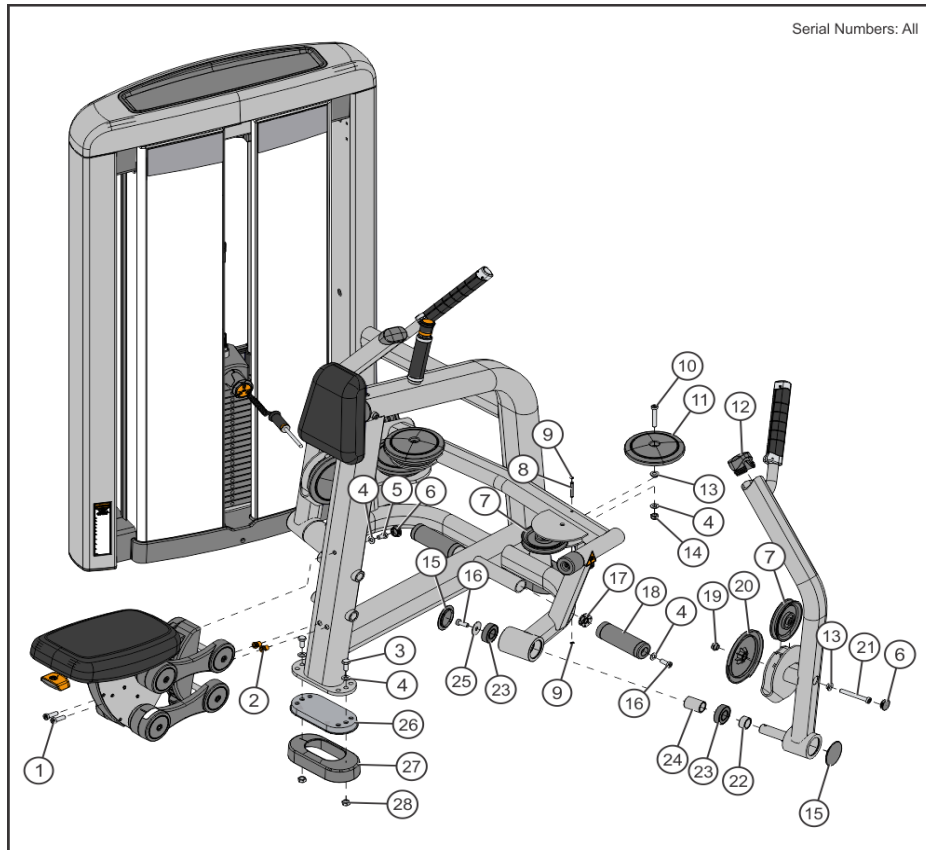
Ref #	Part Number	Qty	Description
1	3236801	2	NUT, NYLOCK M10 X 1.5 SS
2	6757701	2	CLIP, CABLE 2-7/8 X 1 X 1
3	9319901	2	PULLEY, 3/16 IN CABLE (T2), 4.5 IN OD
4	3236601	2	WASHER, 3/8 SAE STAINLESS STEEL
5	3236207	2	M10 X 1.5 X 50 SHCS, LOW HEAD
6	1006334-0001	2	ASSY, DUMMY HOUSING
7	1006620-0001	4	RETAINER: PANEL, 9/32 X 1/2 NYL
8	3275801	6	SCREW, 8 X 3/4 DIN PHL PAN AB ST ZB
9	0017-00042-1147	6	GROMMET: SCREW, 8 OR 10

Tower Top



Ref #	Part Number	Qty	Description
1	9411201	2	TRAY, TOWER TOP CAP
2	3236202	8	M10 X 1.5 X 25 SHCS, LOW HEAD
3	9436701	2	CAP, TOWER, TOP, PLASTIC
4	3238601	8	M10X1.5 BLIND THREADED INSERT (HEX)
5	3236801	2	NUT, NYLOCK M10 X 1.5 SS
6	6757701	2	CLIP, CABLE 2-7/8 X 1 X 1
7	3236601	4	WASHER, 3/8 SAE STAINLESS STEEL
8	9319901	2	PULLEY, 3/16 IN CABLE (T2), 4.5 IN OD
9	3236208	2	M10 X 1.5 X 55 SHCS, LOW HEAD
10	9477401	2	LABEL, SS-RW PLACARD, RH
11	9465810	2	LABEL, SS-RW PLACARD, LH - RUS
11	9465808	2	LABEL, SS-RW PLACARD, LH - POR
11	9465807	2	LABEL, SS-RW PLACARD, LH - JAP
11	9465804	2	LABEL, SS-RW PLACARD, LH - SPN
11	9465801	2	LABEL, SS-RW PLACARD, LH - ENG
11	9465812	2	LABEL, SS-RW PLACARD, LH - CHI
12	9412600	2	CAP, SS, CAST Custom

Work Arm



Ref #	Part Number	Qty	Description
1	3236204	4	M10 X 1.5 X 35 SHCS, LOW HEAD
2	3238601	4	M10X1.5 BLIND THREADED INSERT (HEX)
3	3251202	8	M10 X 1.5 X 25MM UNS HEX CS ST ZN
4	3236601	2	WASHER, 3/8 SAE STAINLESS STEEL
5	3236201	12	M10 X 1.5 X 20 SHCS, LOW HEAD
6	3237407	6	PLUG, 1 IN HOLE
7	9319901	6	PULLEY, 3/16 IN CABLE (T2), 4.5 IN OD
8	7407504	4	PIN, LINK X 1.675
9	3232401	8	RNG, BRE .230,5100-25, ST,PP,B
10	3236209	4	M10 X 1.5 X 60 SHCS, LOW HEAD
11	7629902	4	COVER, PULLEY-BOLTED FULL
12	7333802	4	CAP, SMALL FLOV-END
13	7630101	8	RETAINER, CM/MJ, PULLEY
14	3236801	4	NUT, NYLOCK M10 X 1.5 SS
15	7308702	8	CAP, BEARING HOUSING
16	3236202	8	M10 X 1.5 X 25 SHCS, LOW HEAD
17	7347301	4	NUT, SPIDER M10 X 1.5
18	7800102	4	GRIP, 1.50 ID FOOT
19	7335401	4	NUT, M10 X 1.5 SOCKET HEAD
20	8104502	4	COVER, PULLEY-BOLTED NOTCHED
21	3236213	4	M10 X 1.5 X 80 SHCS, LOW HEAD
22	7330002	4	SPACER, INTERNAL X .653

Ref #	Part Number	Qty	Description
23	3235601	8	BEARING, 6205 BALL
24	7330006	4	SPACER, INTERNAL X 1.765
25	3236701	4	WSHR,FENDER 3/8 ID X 1.5 OD SS
26	9319301	4	FOOT, 2.5 X 4.49 FLOV
27	9319401	4	COVER, FOOT -STRT
28	3254703	8	NUT, M10 X 1.5 HEX ZINC

