

INSIGNIA SERIES ROW Class A

SS-RW-4482685-A

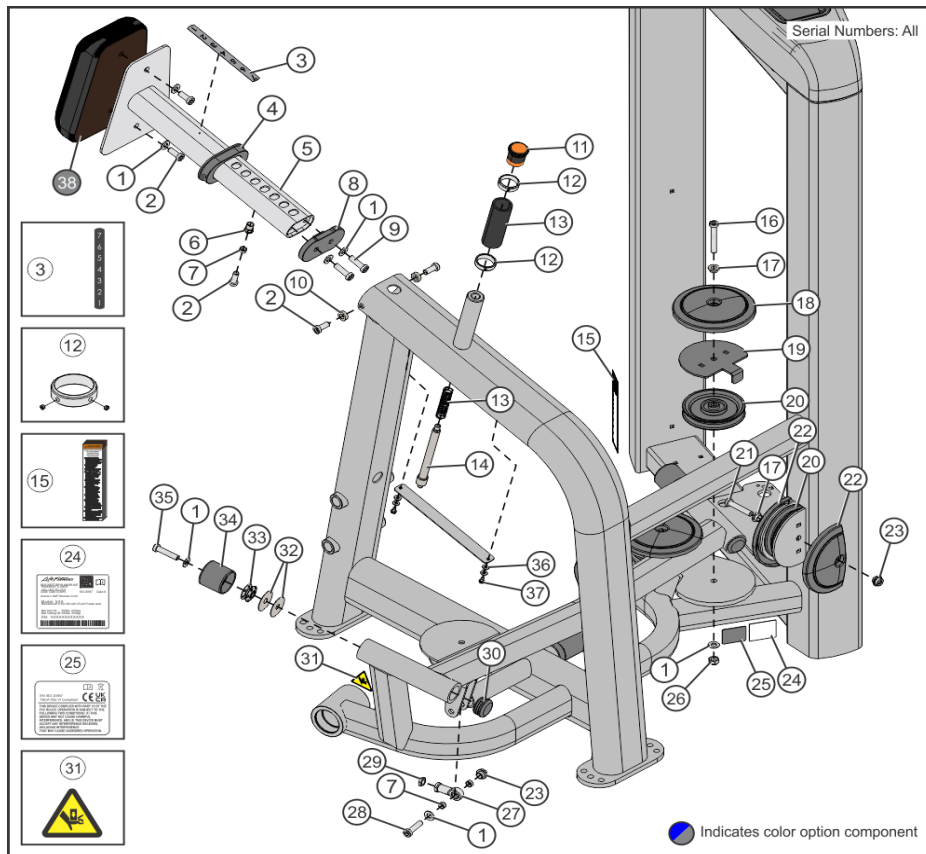
Parts Manual

4/17/2025 13:29:23 PM

Table of Contents

| | |
|--|----|
| Baseframe | 3 |
| Base P-Stack | 5 |
| Base T-Stack Head Plate Assy (previous) | 6 |
| Base T-Stack (previous) | 7 |
| Cable | 8 |
| C and X Head Plate | 9 |
| C and X Increment Weights | 10 |
| Frame Painted Items | 11 |
| Full Shroud | 12 |
| Grips | 13 |
| Heavy X-Stack | 14 |
| Heavy X-Stack (previous) | 15 |
| Light C-Stack | 16 |
| Light C-Stack (previous) | 17 |
| L Trim Rep Counter | 18 |
| Previous C and X Increment Weights | 19 |
| Previous C and X Increment Weight Assembly | 20 |
| P-Stack Head Plate Assy | 21 |
| P-Stack Increment Weight | 22 |
| Rear Shroud | 23 |
| Seat Assembly | 24 |
| Shroud Wraps | 26 |
| S and L Trim Tower Top | 28 |
| Tower Top | 29 |
| Work Arm | 30 |

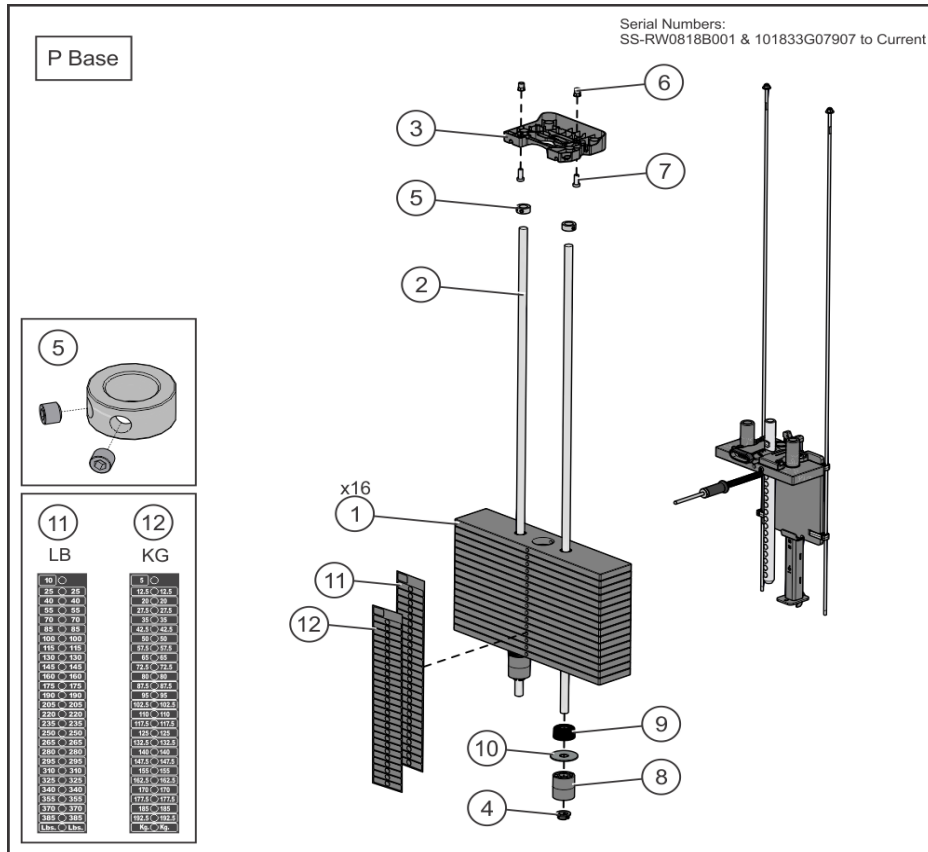
Baseframe



| Ref # | Part Number | Qty | Description |
|-------|--------------|-----|---|
| 1 | 3236601 | 16 | WASHER, 3/8 SAE STAINLESS STEEL |
| 2 | 3236202 | 10 | M10 X 1.5 X 25 SHCS, LOW HEAD |
| 3 | 9352301 | 2 | LABEL; 7-1 STRAIGHT |
| 4 | 7561002 | 2 | GLIDE, 2.50 X 4.49 FLOV EXT |
| 5 | 9348301 | 2 | WLDMT, SS-RW CHEST PAD SUPP |
| 6 | 3238601 | 2 | M10X1.5 BLIND THREADED INSERT (HEX) |
| 7 | 7489402 | 6 | BSHNG, .500 OD X .402 ID X .235 |
| 8 | 7561102 | 2 | CHARCOAL GRAY GLIDE, 2.50 X 4.49 FLOV INT |
| 9 | 3236204 | 4 | M10 X 1.5 X 35 SHCS, LOW HEAD |
| 10 | 7385201 | 4 | SPACER, .406 X .750 X .250 SS |
| 11 | 9454703 | 2 | KNOB, ADJ |
| 12 | 8259501 | 4 | RING, GRIP 1.52 OD X 1.30 ID |
| 13 | 7351501 | 2 | SPRING; PULL PIN LARGE |
| 14 | 1000104-0001 | 2 | PIN, PULL |
| 15 | 8220000 | 2 | LABEL, ASTM WARNING FW SELECT |
| 16 | 3236210 | 2 | M10 X 1.5 X 65 SHCS, LOW HEAD |
| 17 | 7630101 | 4 | RETAINER, CM/MJ, PULLEY |
| 18 | 8102902 | 2 | COVER, PULLEY-BOLTED FULL |
| 19 | 7730901 | 2 | BRKT, COVER/CABLE RETAINER WHITE |
| 20 | 9319901 | 4 | PULLEY, 3/16 IN CABLE (T2), 4.5 IN OD |
| 21 | 3236208 | 2 | M10 X 1.5 X 55 SHCS, LOW HEAD |
| 22 | 8094102 | 4 | COVER, PULLEY -BOLTED PARTIAL -CHGR |

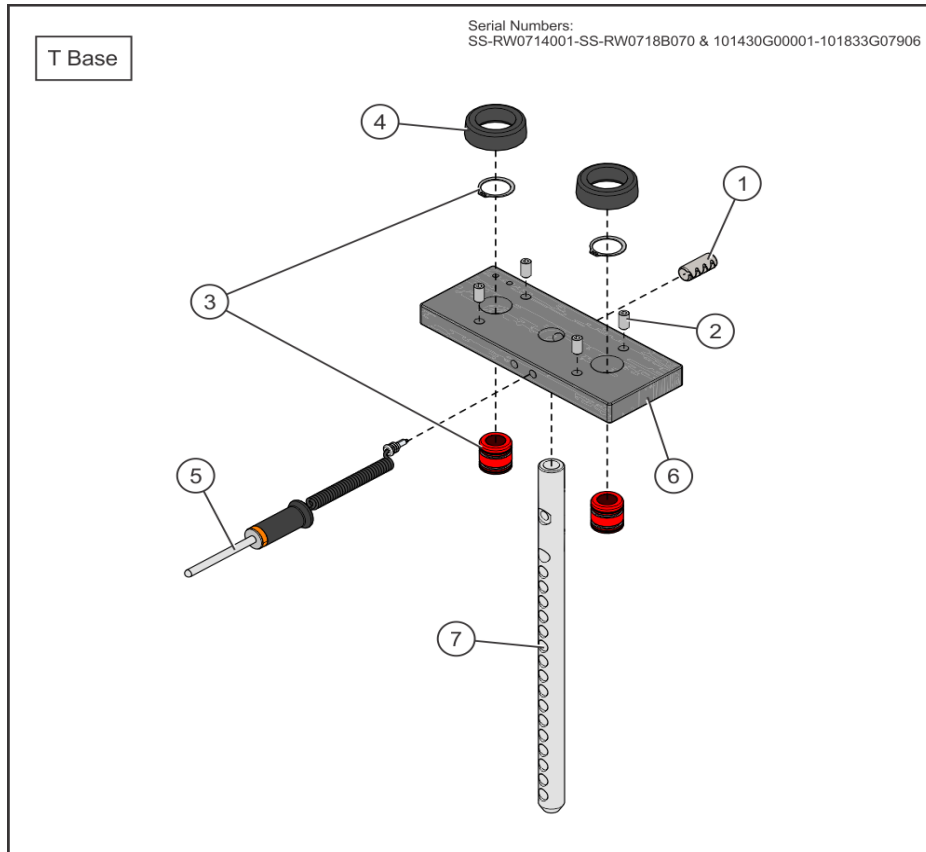
| Ref # | Part Number | Qty | Description |
|-------|--------------|-----|--|
| 23 | 7335401 | 2 | NUT, M10 X 1.5 SOCKET HEAD |
| 24 | 7571301 | 2 | LABEL, SERIAL NUMBER |
| 25 | 9488901 | 2 | LABEL, INSIGNIA, FCC |
| 26 | 3236801 | 2 | NUT, NYLOCK M10 X 1.5 SS |
| 27 | 3237901 | 2 | ROD END, METRIC FEMALE |
| 28 | 3236205 | 2 | M10 X 1.5 X 40 SHCS, LOW HEAD |
| 29 | 3236901 | 2 | NUT, HEX JAM M10 X 1.5 SS |
| 30 | 3119306 | 4 | CAP, END 1-1/2 DIA, 8-12GA |
| 31 | 8039501 | 2 | LABEL, WARNING TRIANGLE |
| 32 | 9455101 | 8 | SHIM, 1.75" X .44" |
| 33 | 7347301 | 4 | NUT, SPIDER M10 X 1.5 |
| 34 | 9414501 | 4 | BUMPER, HARD STOP |
| 35 | 3236206 | 4 | M10 X 1.5 X 45 SHCS, LOW HEAD |
| 36 | 3114407 | 8 | WASHER, FLAT #10 SAE ST BZ |
| 37 | 3270601 | 4 | SCREW, #10-32 X 3/8 TRX PAN ST BZ |
| 38 | 1000008-0099 | 2 | PAD, CHEST 10 X 7-5/8, SNGL STITCH- Custom |
| 38 | 1000008-0199 | 2 | PAD, CHEST 10 X 7-5/8, NO BACKER, DBL STITCH- Custom |

Base P-Stack



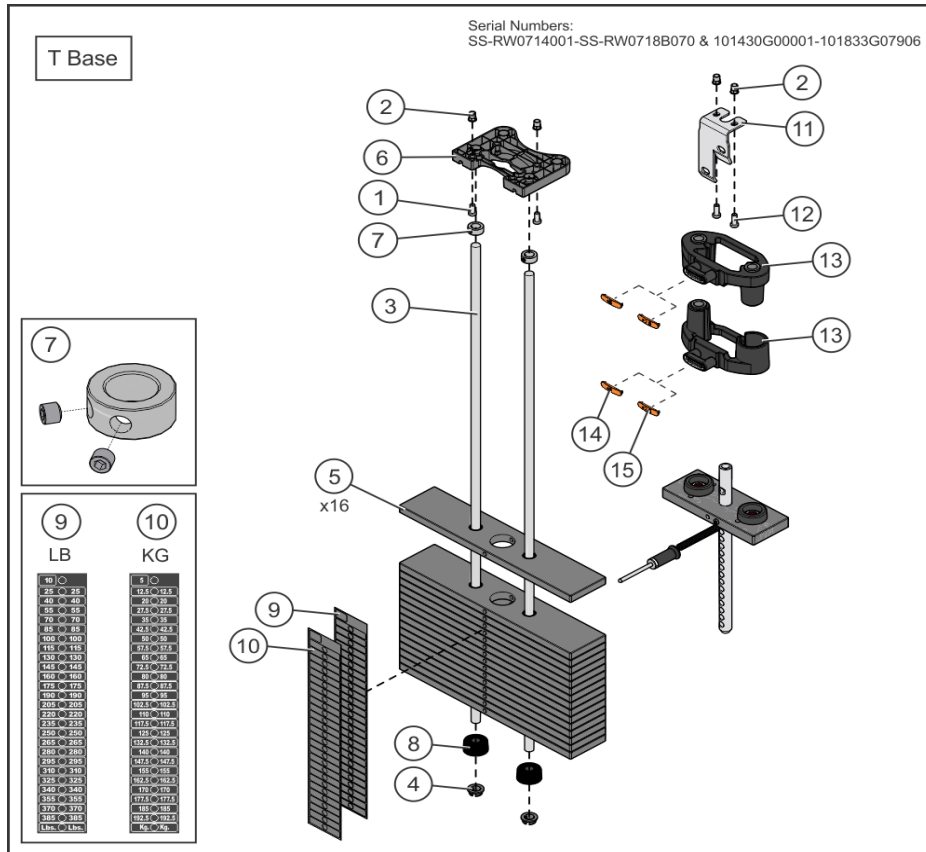
| Ref # | Part Number | Qty | Description |
|-------|--------------|-----|-------------------------------------|
| 1 | 9407601 | 32 | WGT PL, 3/4IN X 4IN, 15LB |
| 2 | 7328612 | 4 | GUIDE ROD, .75 OD SOLID X 50.36 |
| 3 | 1015452-0001 | 2 | RETAINER: GUIDE ROD, NYL |
| 4 | 7337901 | 4 | BUSHING, GUIDE ROD |
| 5 | 3103301 | 4 | SHAFT COLLAR, 3/4" ID ZINC |
| 6 | 3238601 | 4 | M10X1.5 BLIND THREADED INSERT (HEX) |
| 7 | 3236202 | 4 | M10 X 1.5 X 25 SHCS, LOW HEAD |
| 8 | 1004349-0002 | 4 | SPACER, WGT STK, 3 PL8 |
| 9 | 7352101 | 4 | CUSHION, WEIGHT STACK |
| 10 | 1010765-0001 | 4 | WASHER: 0.80 OD, 11GA |
| 11 | 9475101 | 2 | LABEL, 3/4 IN WGT STACK, 385 LB |
| 12 | 9475401 | 2 | LABEL, 3/4 IN WGT STACK, 192.5 KG |

Base T-Stack Head Plate Assy (previous)



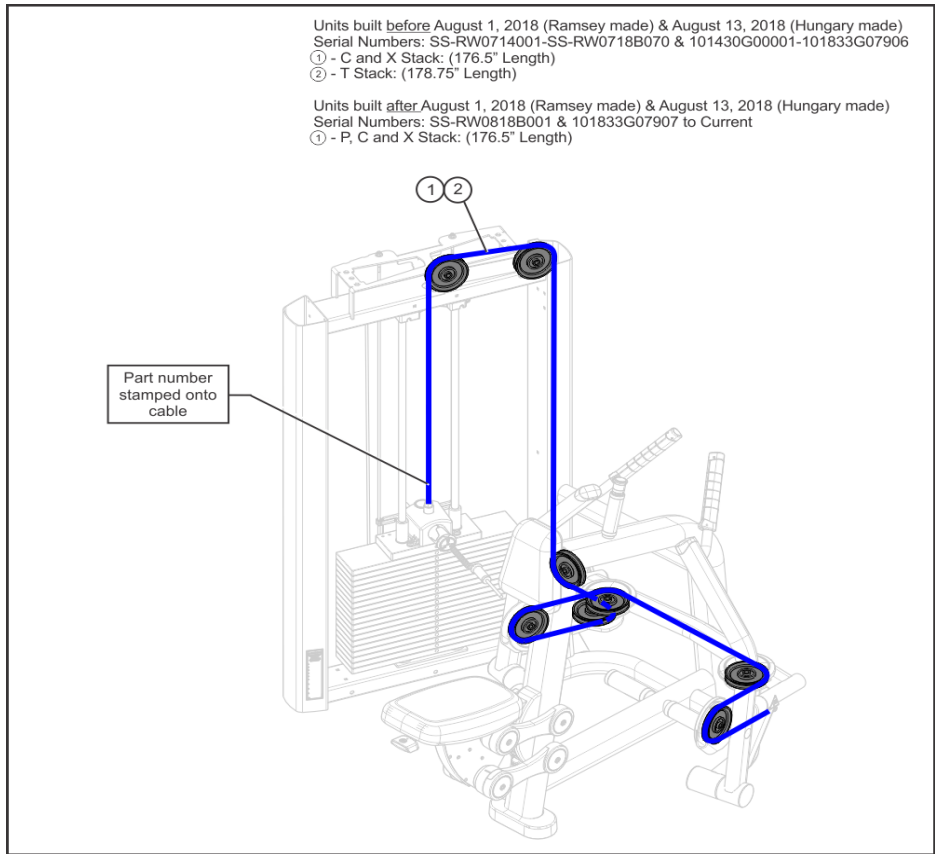
| Ref # | Part Number | Qty | Description |
|-------|--------------|-----|---------------------------------|
| 1 | 3236001 | 2 | BUSHING, SPRING PIN |
| 2 | 3240501 | 8 | M10 X 1.5 X 20 HXS NO CUP ST BO |
| 3 | 7338001 | 4 | BUSHING, HEADPLATE |
| 4 | 7767602 | 4 | BUMPER, INCREMENT WT -BLK |
| 5 | 1003679-0003 | 2 | ASSY, WGT STK SEL PIN -YEL |
| 6 | 9427401 | 2 | HEADPLATE, WT. STACK, 10LB |
| 7 | 9434202 | 2 | BAYONET, 16 PLATE |

Base T-Stack (previous)



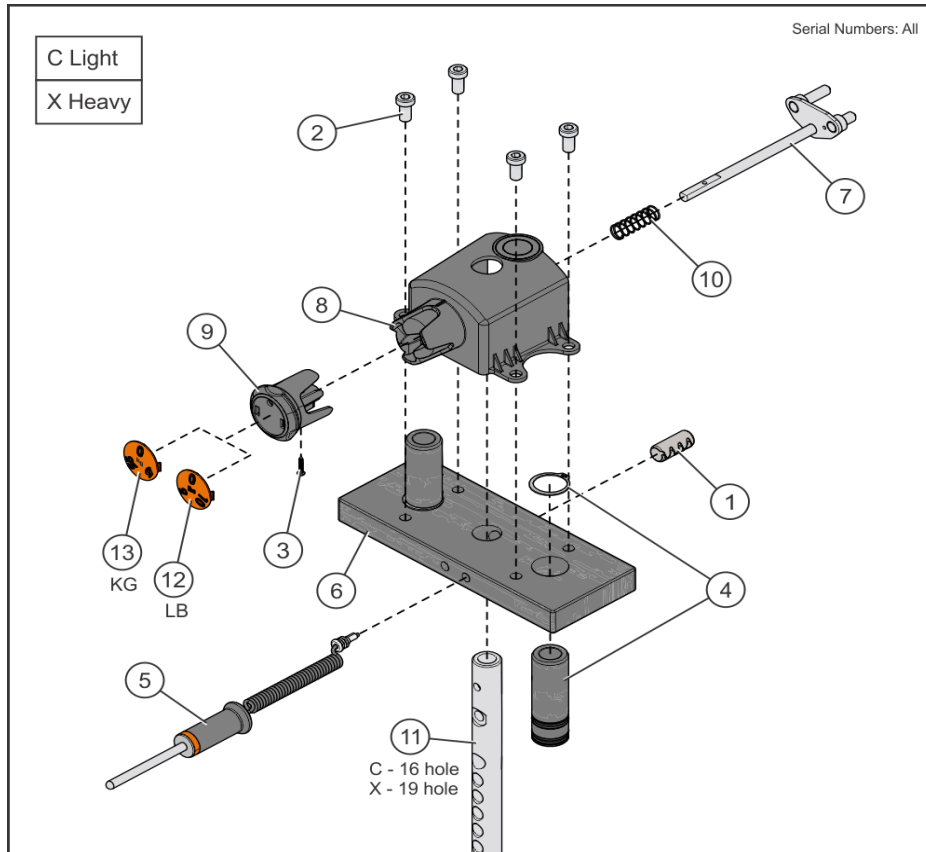
| Ref # | Part Number | Qty | Description |
|-------|--------------|-----|-------------------------------------|
| 1 | 3236203 | 4 | M10 X 1.5 X 30 SHCS, LOW HEAD |
| 2 | 3238601 | 8 | M10X1.5 BLIND THREADED INSERT (HEX) |
| 3 | 7328612 | 4 | GUIDE ROD, .75 OD SOLID X 50.36 |
| 4 | 7337901 | 8 | BUSHING, GUIDE ROD |
| 5 | 9407601 | 32 | WGT PL, 3/4IN X 4IN, 15LB |
| 6 | 1015452-0001 | 2 | RETAINER: GUIDE ROD, NYL |
| 7 | 3103301 | 4 | SHAFT COLLAR, 3/4" ID ZINC |
| 8 | 7352101 | 4 | CUSHION, WEIGHT STACK |
| 9 | 9475101 | 2 | LABEL, 3/4 IN WGT STACK, 385 LB |
| 10 | 9475401 | 2 | LABEL, 3/4 IN WGT STACK, 192.5 KG |
| 11 | 9430801 | 2 | BRKT, INC WGT STRIKER |
| 12 | 3236202 | 4 | M10 X 1.5 X 25 SHCS, LOW HEAD |
| 13 | 9455403 | 4 | ASSY, DD INC WGT -YEL |
| 14 | 9462303 | 2 | CAP, DD INC WGT, YEL -LBS |
| 15 | 9462403 | 2 | CAP, DD INC WGT, YEL -KG |

Cable



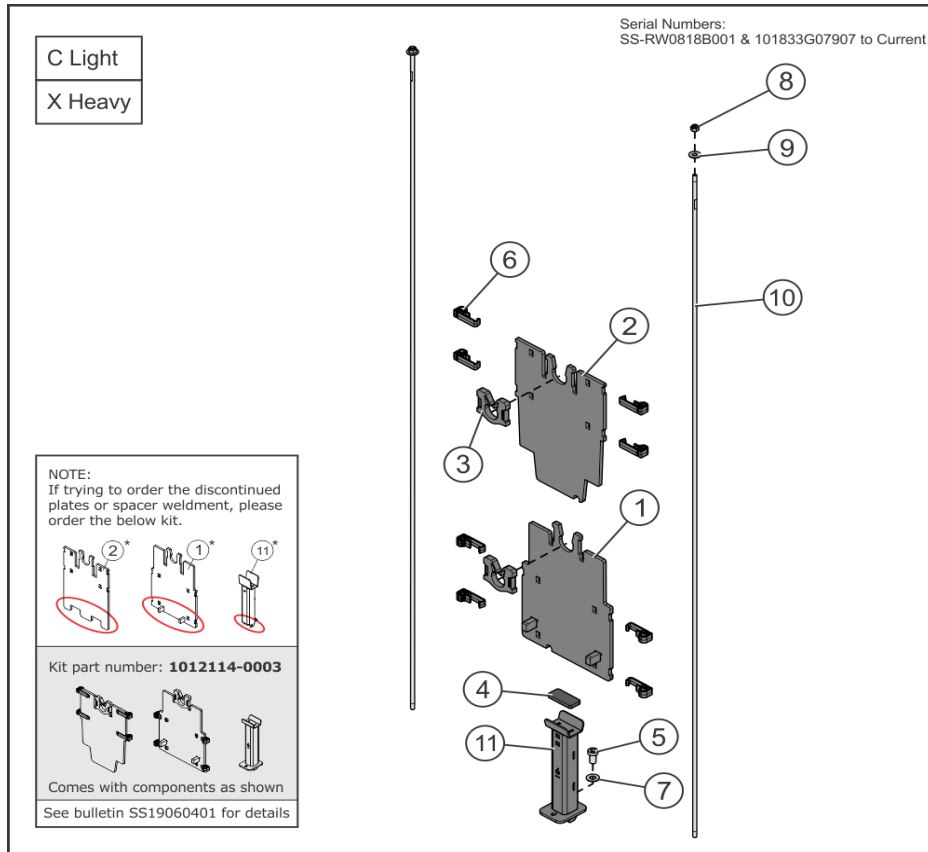
| Ref # | Part Number | Qty | Description |
|-------|-------------|-----|--------------------|
| 1 | 9423504 | 2 | CABLE, SS-RW, DIAL |
| 2 | 9423503 | 2 | CABLE, SS-RW, DROP |

C and X Head Plate



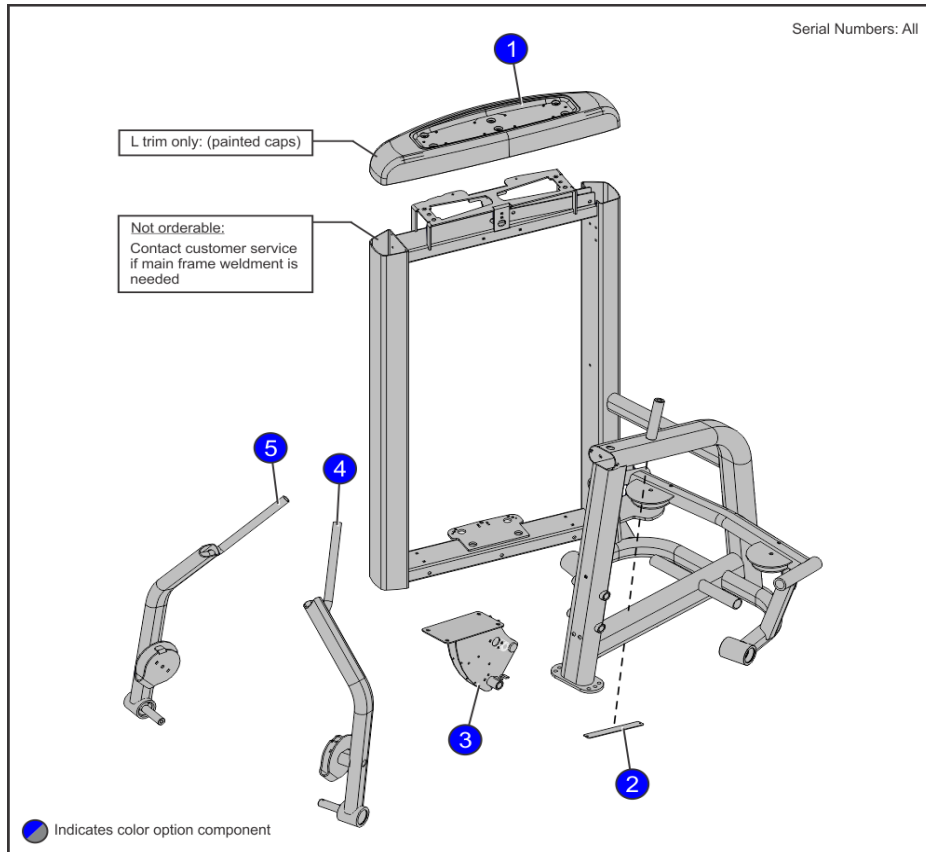
| Ref # | Part Number | Qty | Description |
|-------|--------------|-----|-------------------------------------|
| 1 | 3236001 | 2 | BUSHING, SPRING PIN |
| 2 | 3236201 | 8 | M10 X 1.5 X 20 SHCS, LOW HEAD |
| 3 | 3275601 | 2 | SCREW, 6 X 3/4 DIN PHL PAN AB ST ZB |
| 4 | 9296001 | 4 | BUSHING, HEADPLATE, LONG |
| 5 | 1003679-0003 | 2 | ASSY, WGT STK SEL PIN -YEL |
| 6 | 9427401 | 2 | HEADPLATE, WT. STACK, 10LB |
| 7 | 1010800-0001 | 2 | WLDMT, INC WGT PIN |
| 8 | 1017209-0001 | 2 | HOUSING: INC WEIGHT |
| 9 | 9443201 | 2 | KNOB, INC WEIGHT |
| 10 | 9443301 | 2 | SPRING, INC WGT PIN |
| 11 | 9426002 | 2 | BAYONET, 19 PLATE |
| 11 | 9434202 | 2 | BAYONET, 16 PLATE |
| 12 | 9431403 | 2 | CAP, SELECTOR KNOB -LBS |
| 13 | 9450103 | 2 | CAP, SELECTOR KNOB -KGS |

C and X Increment Weights



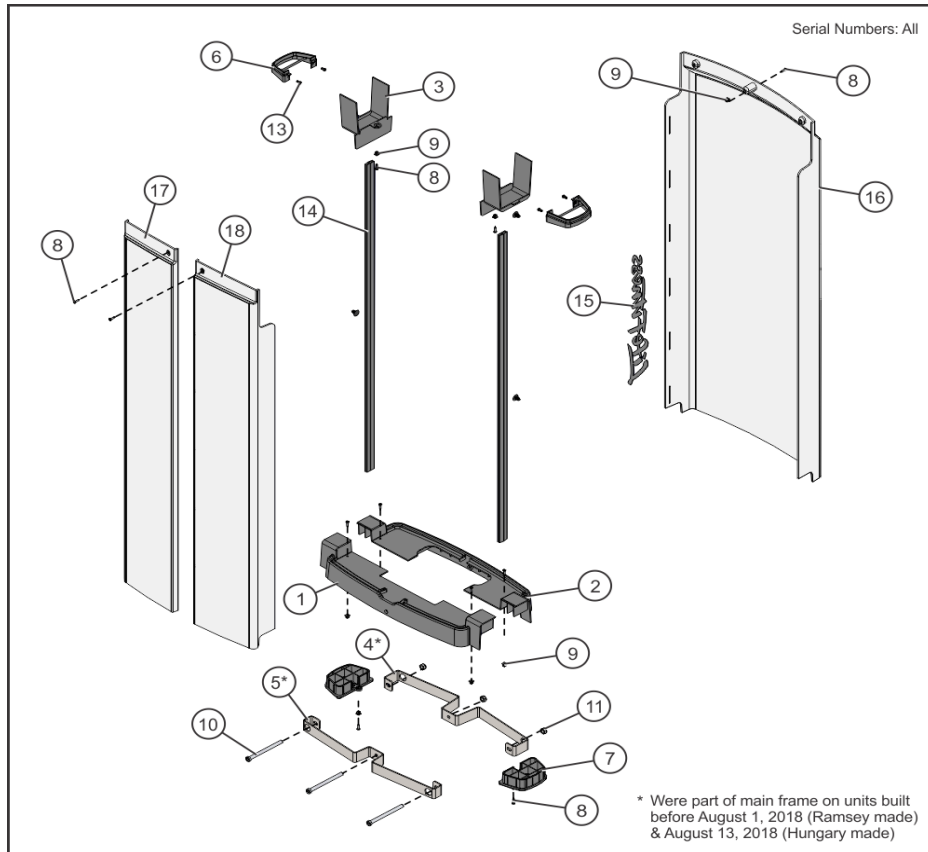
| Ref # | Part Number | Qty | Description |
|-------|--------------|-----|--|
| 1 | 1010971-2801 | 2 | WLDMT: INC WEIGHT, 5LB, REAR -CHR |
| 2 | 1010970-2801 | 2 | PLATE: INC WEIGHT, 5LB, FRONT, 1/4" -CHR |
| 3 | 1008920-0001 | 4 | GUARD: INCREMENT WEIGHT, 0.25 |
| 4 | 1008552-0001 | 2 | BUMPER: EA FOAM, INC WEIGHT |
| 5 | 3236201 | 2 | M10 X 1.5 X 20 SHCS, LOW HEAD |
| 6 | 1010803-0001 | 16 | GUIDE ROD ASSY: INCR WT, 1/4", CHARCOAL GRAY |
| 7 | 3236601 | 2 | WASHER, 3/8 SAE STAINLESS STEEL |
| 8 | 3102806 | 4 | NUT, NYLOCK 1/4-20 |
| 9 | 3102506 | 4 | WASHER, FLAT 1/4 ID ZN |
| 10 | 1008192-0002 | 4 | GUIDE ROD: 0.25 OD SOLID, 54.75" |
| 11 | 1010712-2801 | 2 | WLDMT: BRACKET, INC WEIGHT SPACER, 6" -CHR |

Frame Painted Items



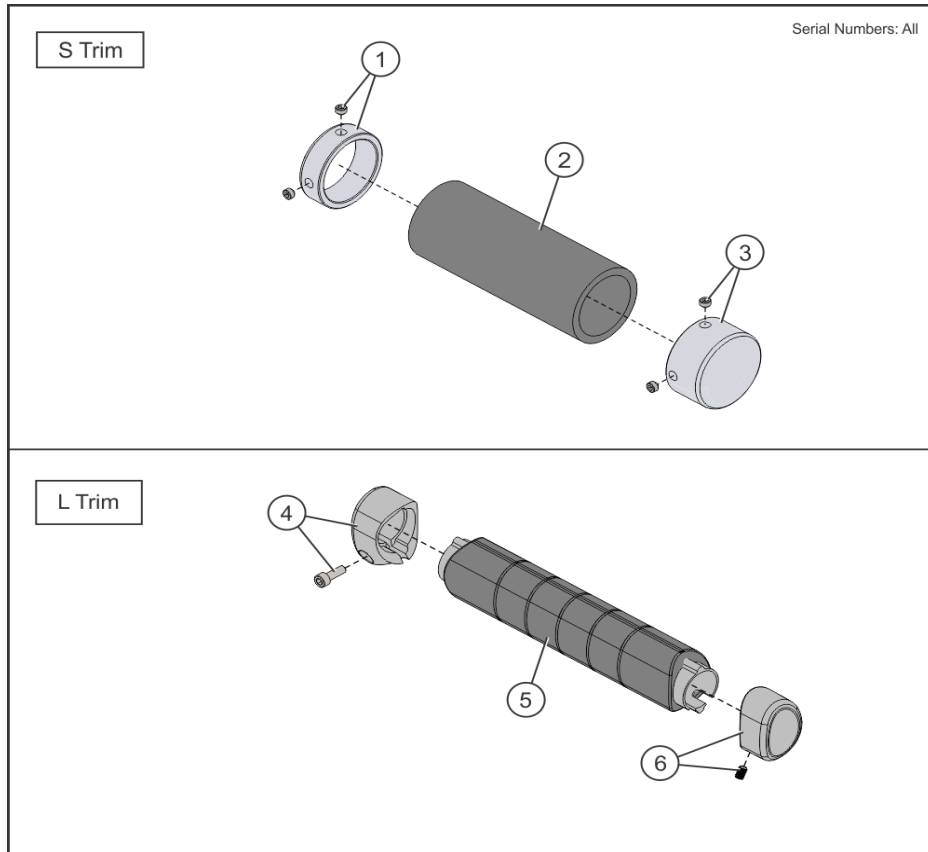
| Ref # | Part Number | Qty | Description |
|-------|-------------|-----|-------------------------------------|
| 1 | 9412600 | 2 | CAP, SS, CAST Custom |
| 2 | 8956601 | 2 | Plate, PSSC Slot Cover |
| 3 | 9448100 | 2 | WLDMT, SS-RW/LR SEAT SUPPORT Custom |
| 4 | 9348000 | 2 | WLDMT, CAM / HARD STOP SS-AB Custom |
| 5 | 9348100 | 2 | WLDMT, SS-AB, LINKAGE Custom |

Full Shroud



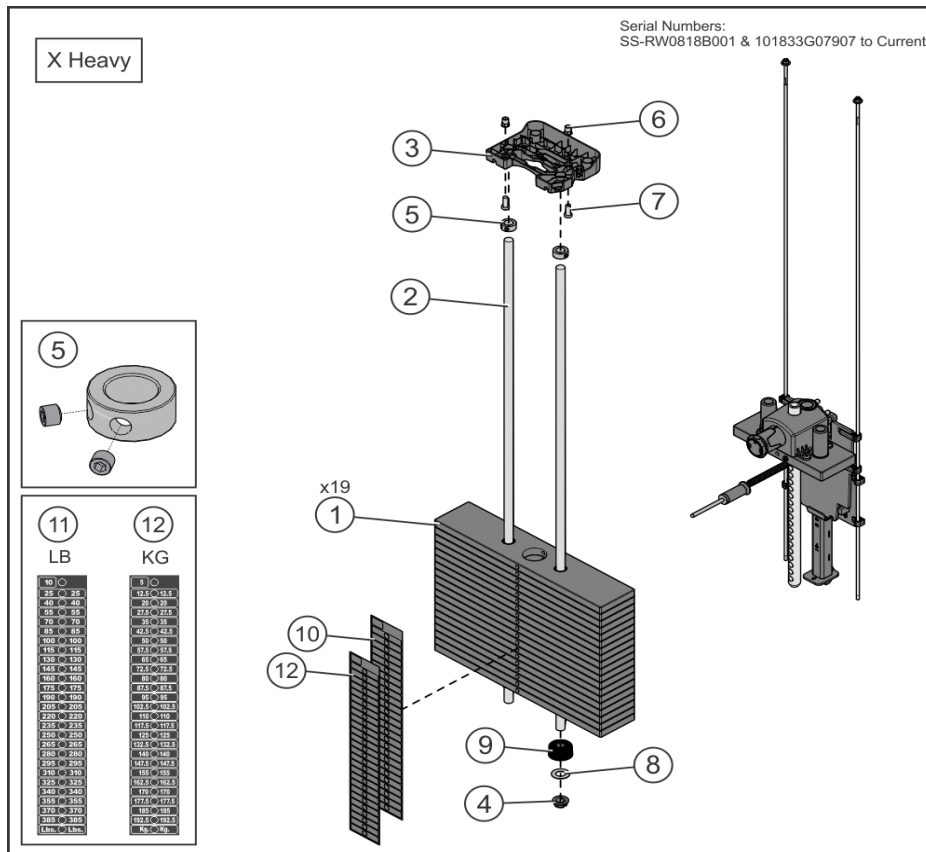
| Ref # | Part Number | Qty | Description |
|-------|-----------------|-----|-------------------------------------|
| 1 | 9410801 | 2 | COVER, TOWER BOTTOM -FRONT |
| 2 | 1007064-0001 | 2 | COVER: TOWER BOTTOM, REAR |
| 3 | 9415701 | 4 | COVER, SS, TWR |
| 4 | 1007623-0001 | 2 | BRACKET: TOWER GUARD, REAR |
| 5 | 1007622-0001 | 2 | BRACKET: TOWER GUARD, FRONT |
| 6 | 9415801 | 4 | GASKET, TRAP TUBE |
| 7 | 9412701 | 4 | ASSY, TRAP TUBE, CAP -BTM |
| 8 | 3275801 | 22 | SCREW, 8 X 3/4 DIN PHL PAN AB ST ZB |
| 9 | 0017-00042-1147 | 18 | GROMMET: SCREW, 8 OR 10 |
| 10 | 3236220 | 6 | M10 X 1.5 X 130 SHCS, LOW HEAD |
| 11 | 3236801 | 6 | NUT, NYLOCK M10 X 1.5 SS |
| 12 | 1006620-0001 | 8 | RETAINER: PANEL, 9/32 X 1/2 NYL |
| 13 | 0017-00101-1587 | 8 | RVT 201X0413X.354 T NY NO |
| 14 | 9414601 | 4 | SHROUD EXTRUSION - SHORT |
| 15 | 9489101 | 2 | LABEL, LIFE FITNESS, 20IN. |
| 16 | 9489001 | 2 | SHROUD, SS, REAR, SRT |
| 17 | 9410601 | 2 | SHROUD, TOWER FRONT, LT - SHORT |
| 18 | 9410701 | 2 | SHROUD, TOWER FRONT, RT - SHORT |

Grips

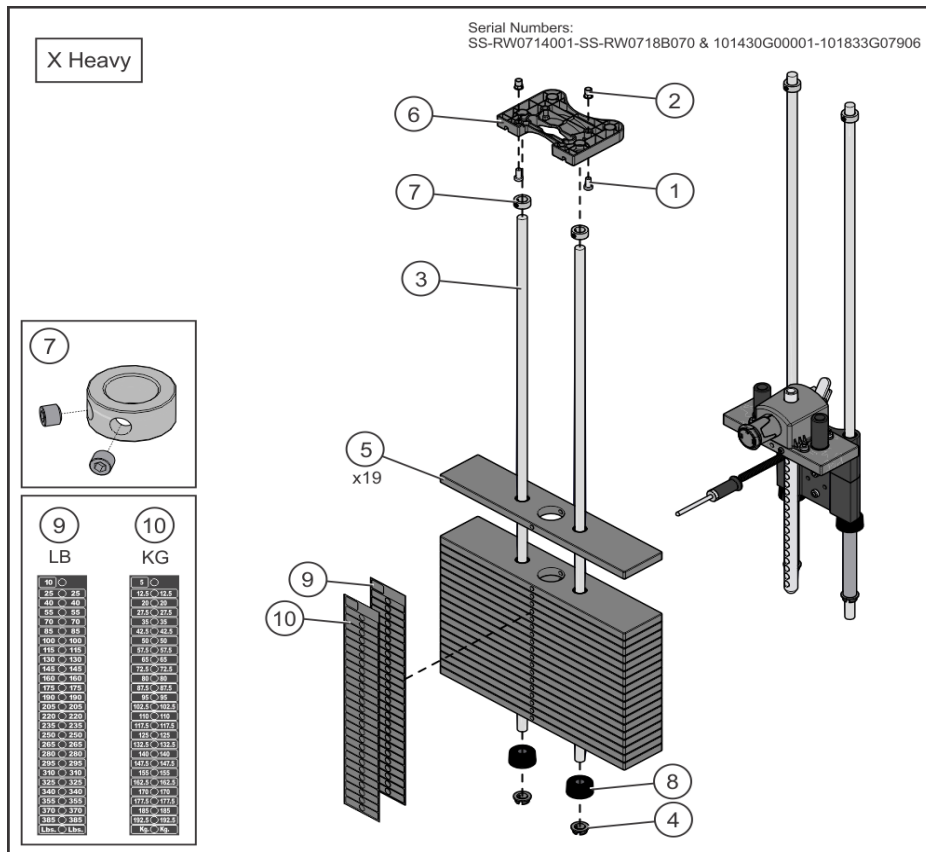


| Ref # | Part Number | Qty | Description |
|-------|--------------|-----|-------------------------------------|
| 1 | 7662802 | 2 | RING, GRIP 1.50OD, 10-0133-025, BNR |
| 2 | 3235807 | 2 | GRIP, 1.50 OD X .25 WALL OPEN END |
| 3 | 7662902 | 2 | CAP, GRIP 1.50 OD, 10-0133-026, BNR |
| 4 | 1001760-0001 | 2 | ASSY, COLLAR, ERGO GRIP |
| 5 | 9453002 | 2 | GRIP, ERGO, OVERMOLD, 9.0 |
| 6 | 1001761-0001 | 2 | ASSY, CAP, GRIP |

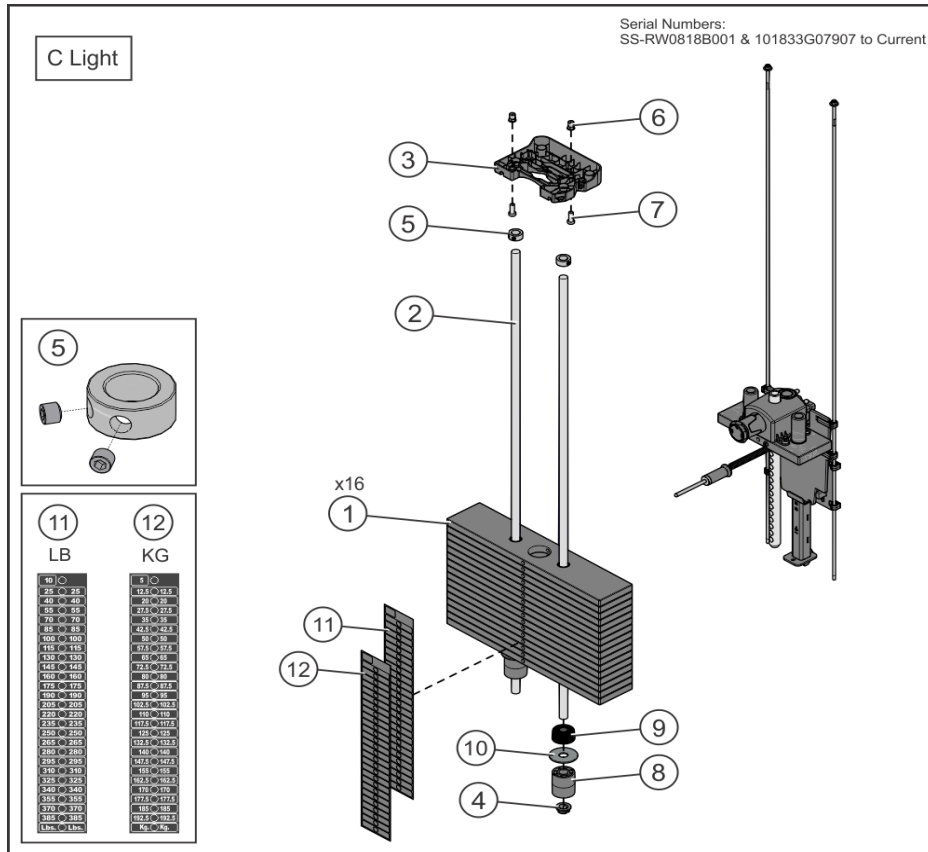
Heavy X-Stack



Heavy X-Stack (previous)

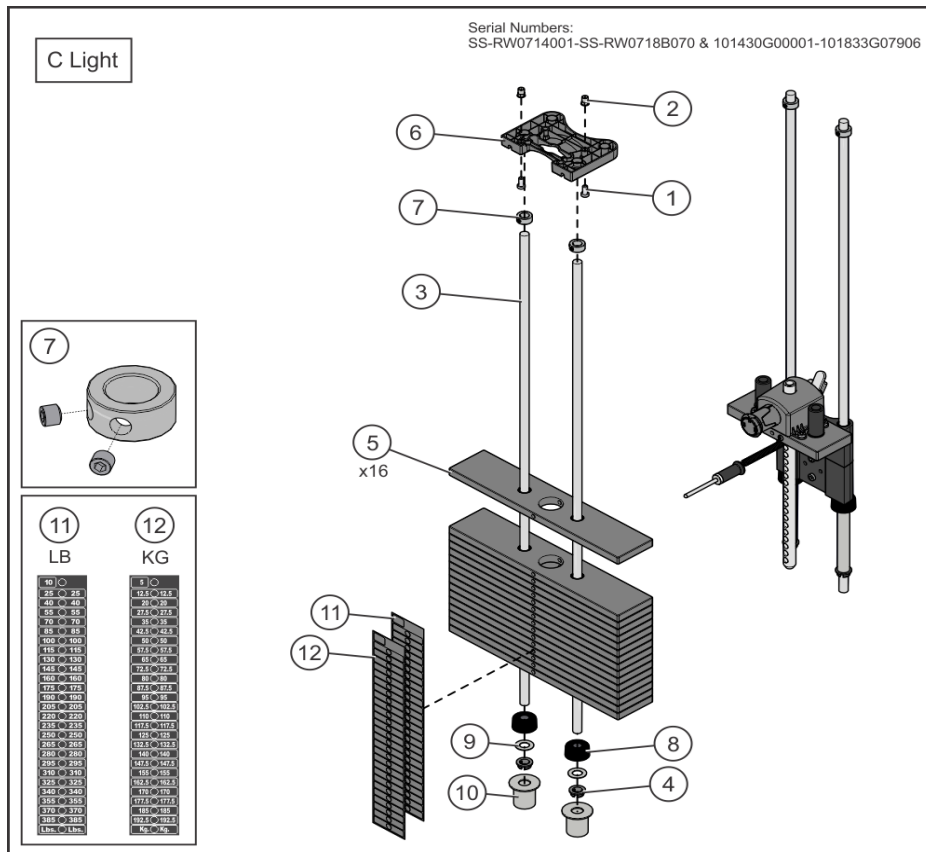


Light C-Stack



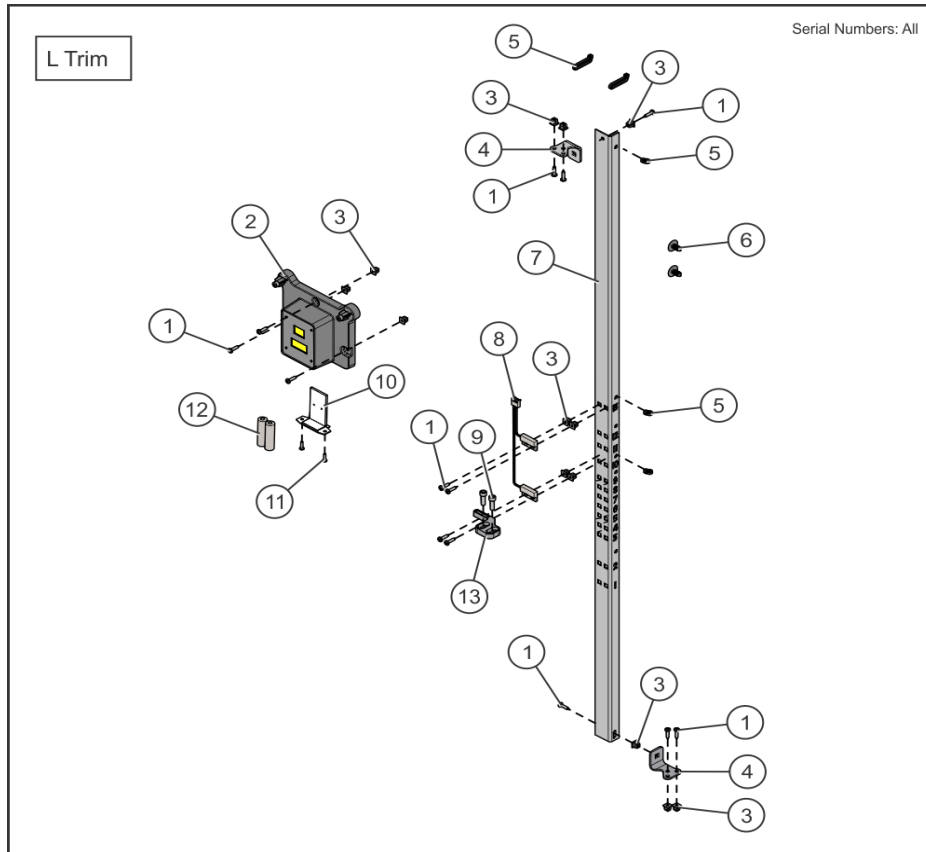
| Ref # | Part Number | Qty | Description |
|-------|--------------|-----|-------------------------------------|
| 1 | 9407601 | 32 | WGT PL, 3/4IN X 4IN, 15LB |
| 2 | 7328612 | 4 | GUIDE ROD, .75 OD SOLID X 50.36 |
| 3 | 1015452-0001 | 2 | RETAINER: GUIDE ROD, NYL |
| 4 | 7337901 | 4 | BUSHING, GUIDE ROD |
| 5 | 3103301 | 4 | SHAFT COLLAR, 3/4" ID ZINC |
| 6 | 3238601 | 4 | M10X1.5 BLIND THREADED INSERT (HEX) |
| 7 | 3236202 | 4 | M10 X 1.5 X 25 SHCS, LOW HEAD |
| 8 | 1004349-0002 | 4 | SPACER, WGT STK, 3 PL8 |
| 9 | 7352101 | 4 | CUSHION, WEIGHT STACK |
| 10 | 1010765-0001 | 4 | WASHER: 0.80 OD, 11GA |
| 11 | 9475101 | 2 | LABEL, 3/4 IN WGT STACK, 385 LB |
| 12 | 9475401 | 2 | LABEL, 3/4 IN WGT STACK, 192.5 KG |

Light C-Stack (previous)



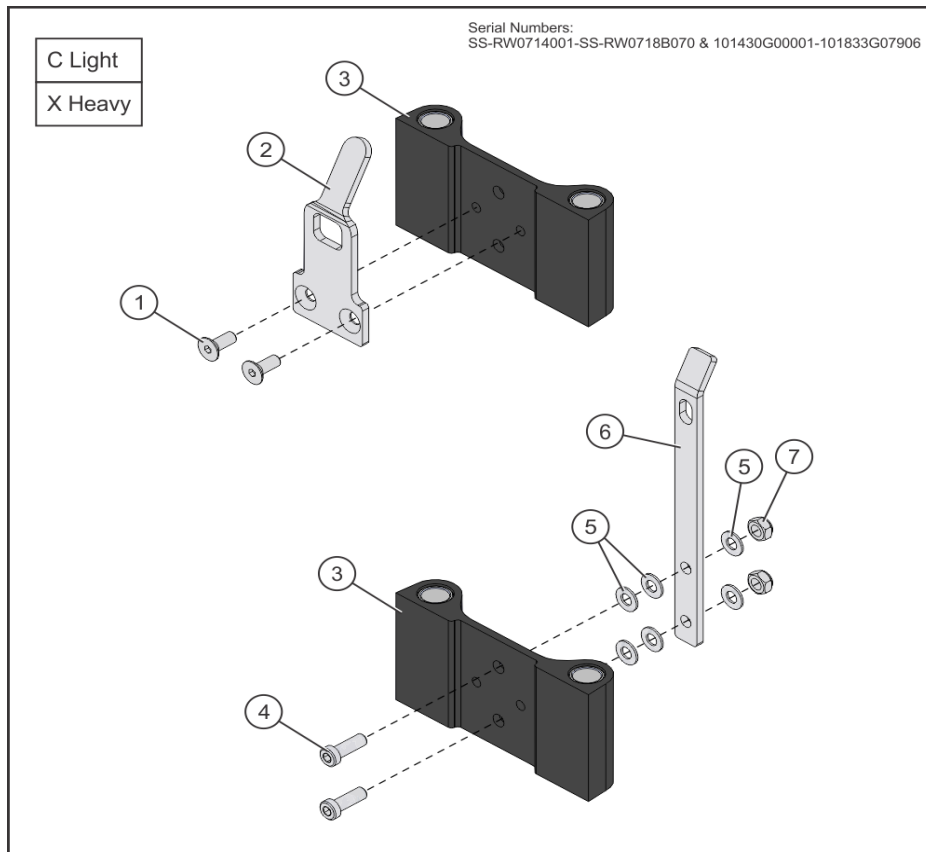
| Ref # | Part Number | Qty | Description |
|-------|--------------|-----|-------------------------------------|
| 1 | 3236202 | 4 | M10 X 1.5 X 25 SHCS, LOW HEAD |
| 2 | 3238601 | 4 | M10X1.5 BLIND THREADED INSERT (HEX) |
| 3 | 7328612 | 4 | GUIDE ROD, .75 OD SOLID X 50.36 |
| 4 | 7337901 | 8 | BUSHING, GUIDE ROD |
| 5 | 9407601 | 32 | WGT PL, 3/4IN X 4IN, 15LB |
| 6 | 1015452-0001 | 2 | RETAINER: GUIDE ROD, NYL |
| 7 | 3103301 | 4 | SHAFT COLLAR, 3/4" ID ZINC |
| 8 | 7352101 | 4 | CUSHION, WEIGHT STACK |
| 9 | 7351001 | 4 | SPACER, INC WT STACK |
| 10 | 9495912 | 4 | WLDMT, WGT STK SPACER X 2.25 -CHR |
| 11 | 9475101 | 2 | LABEL, 3/4 IN WGT STACK, 385 LB |
| 12 | 9475401 | 2 | LABEL, 3/4 IN WGT STACK, 192.5 KG |

L Trim Rep Counter



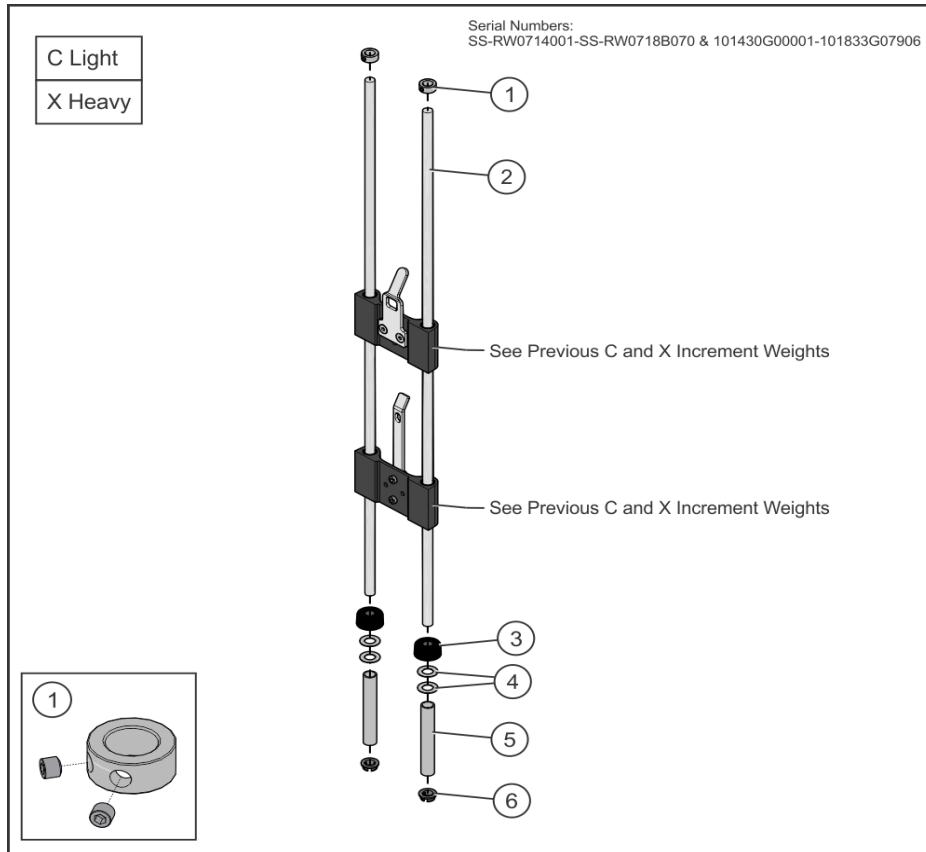
| Ref # | Part Number | Qty | Description |
|-------|-----------------|-----|-------------------------------------|
| 1 | 3275801 | 26 | SCREW, 8 X 3/4 DIN PHL PAN AB ST ZB |
| 2,8 | 1008199-0001 | 4 | ASSY: REP COUNTER/SWITCH/MAGNET |
| 3 | 0017-00042-1147 | 26 | GROMMET: SCREW, 8 OR 10 |
| 4 | 1007269-0028 | 4 | BRACKET: RAIL MOUNT, REP CNTR -CHR |
| 5 | 3276501 | 10 | CABLE TIE 11 IN. |
| 6 | 1006620-0001 | 4 | RETAINER: PANEL, 9/32 X 1/2 NYL |
| 7 | 1008003-0028 | 2 | BRACKET: SWITCH MNT, STD -CHR |
| 9 | 3241701 | 4 | M6 X 1 X 20MM SHCS, STD HEAD |
| 10 | 9436401 | 2 | DOOR, BATTERY PACK MOUNT |
| 11 | 3226003 | 4 | 6-20 X 8 PHL PAN PLT ST BZ |
| 12 | 3276401 | 4 | BATTERY, AA |
| 13 | 1007177-0001 | 2 | ASSY: MAGNET, REP CNTR DCI |

Previous C and X Increment Weights



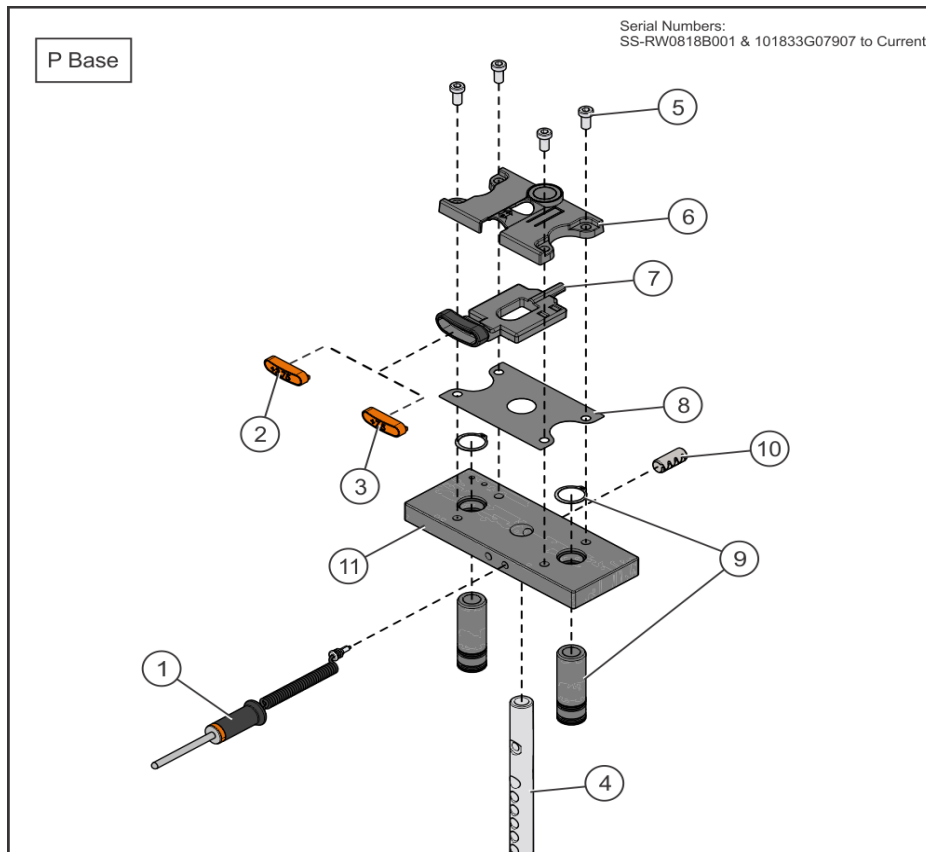
| Ref # | Part Number | Qty | Description |
|-------|--------------|-----|--|
| 1 | 3238302 | 4 | SCREW, M10 FLTHD X 25MM |
| 2 | 9428201 | 2 | BRKT, INC WGT -5LB |
| 3 | 9439701 | 4 | ASSY, INC WGT, SUB |
| 4 | 3275503 | 4 | SCREW, M10 X 1.5 X 30 SHCS, LOW HEAD -NO PATCH |
| 5 | 3236601 | 8 | WASHER, 3/8 SAE STAINLESS STEEL |
| 6 | 1001007-0001 | 2 | BRKT, INC WGT -10LB |
| 7 | 3236801 | 4 | NUT, NYLOCK M10 X 1.5 SS |

Previous C and X Increment Weight Assembly



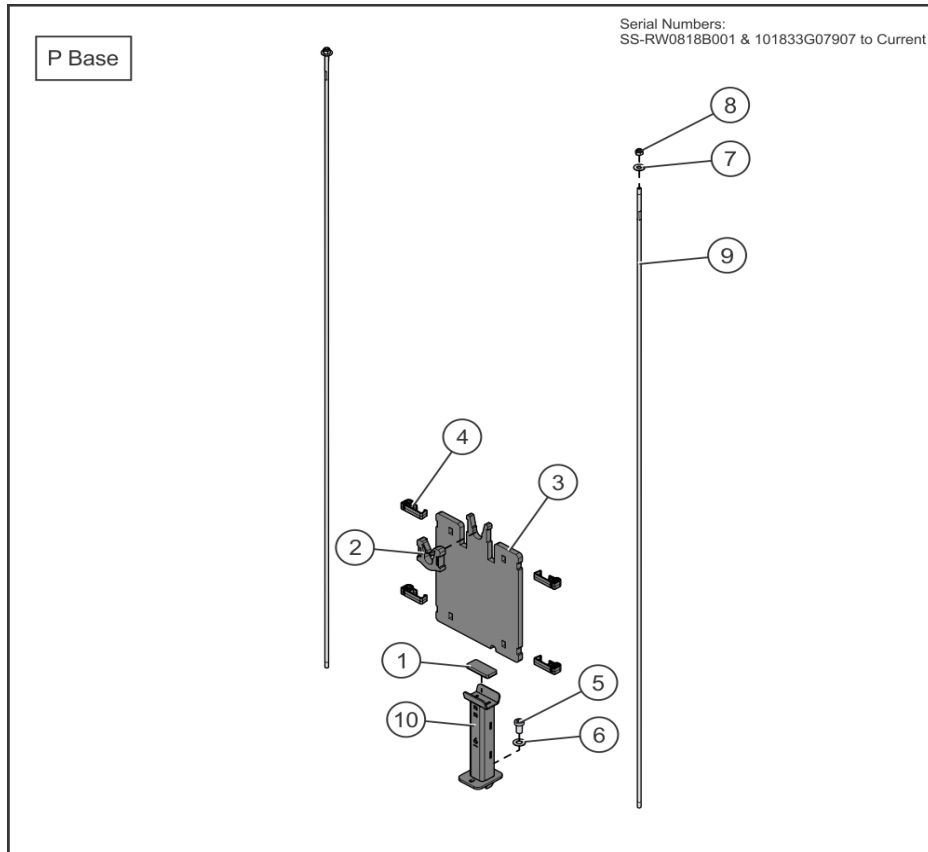
| Ref # | Part Number | Qty | Description |
|-------|-------------|-----|---------------------------------|
| 1 | 3103301 | 4 | SHAFT COLLAR, 3/4" ID ZINC |
| 2 | 7328612 | 4 | GUIDE ROD, .75 OD SOLID X 50.36 |
| 3 | 7352101 | 4 | CUSHION, WEIGHT STACK |
| 4 | 7351001 | 8 | SPACER, INC WT STACK |
| 5 | 7328704 | 4 | SPACER, INC WT STACK 19 PLATE |
| 6 | 7337901 | 4 | BUSHING, GUIDE ROD |

P-Stack Head Plate Assy



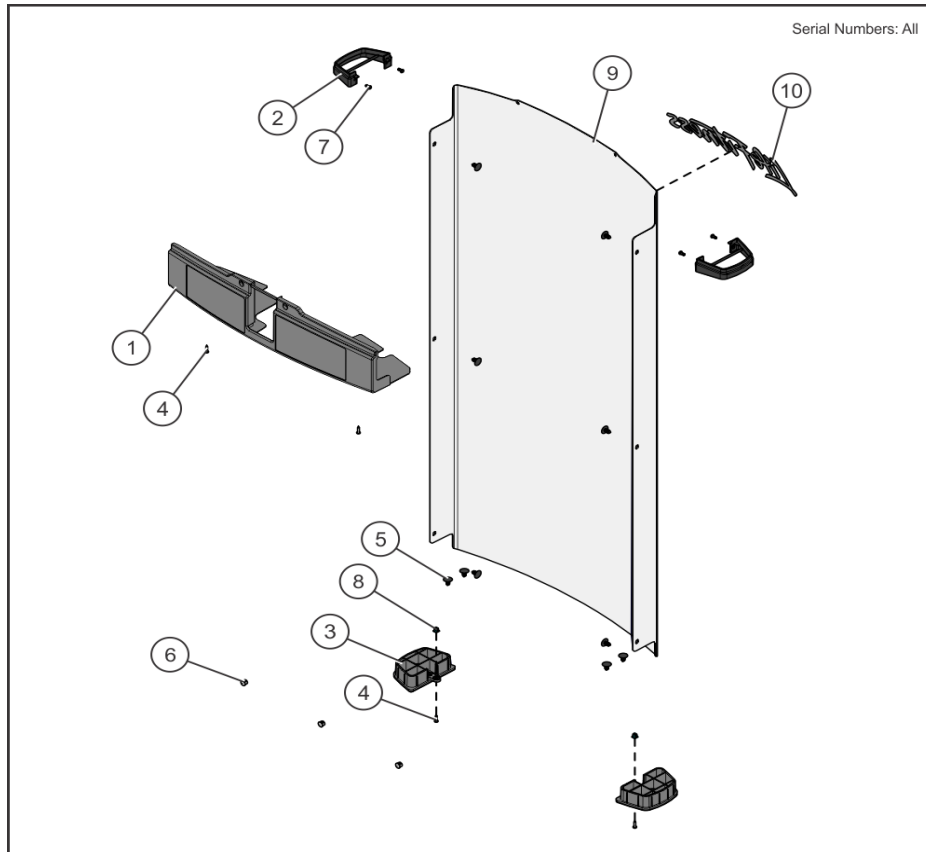
| Ref # | Part Number | Qty | Description |
|-------|--------------|-----|--|
| 1 | 1003679-0003 | 2 | ASSY, WGT STK SEL PIN -YEL |
| 2 | 1006751-0001 | 2 | CAP: 3.75 KG INC WEIGHT - KG |
| 3 | 1006750-0001 | 2 | CAP, 7.5 LB INC WEIGHT - LBS |
| 4 | 9434202 | 2 | BAYONET, 16 PLATE |
| 5 | 3236202 | 8 | M10 X 1.5 X 25 SHCS, LOW HEAD |
| 6 | 1017210-0001 | 2 | HOUSHING: 7.5LB INC WEIGHT |
| 7 | 1008675-0001 | 2 | HANDLE: 7.5LB INC WT, PLASTIC |
| 8 | 1006707-0001 | 2 | DIE CUT: 7.5LB INC WEIGHT, NYLON SHEET, 0.020" |
| 9 | 9296001 | 4 | BUSHING, HEADPLATE, LONG |
| 10 | 3236001 | 2 | BUSHING, SPRING PIN |
| 11 | 9427401 | 2 | HEADPLATE, WT. STACK, 10LB |

P-Stack Increment Weight



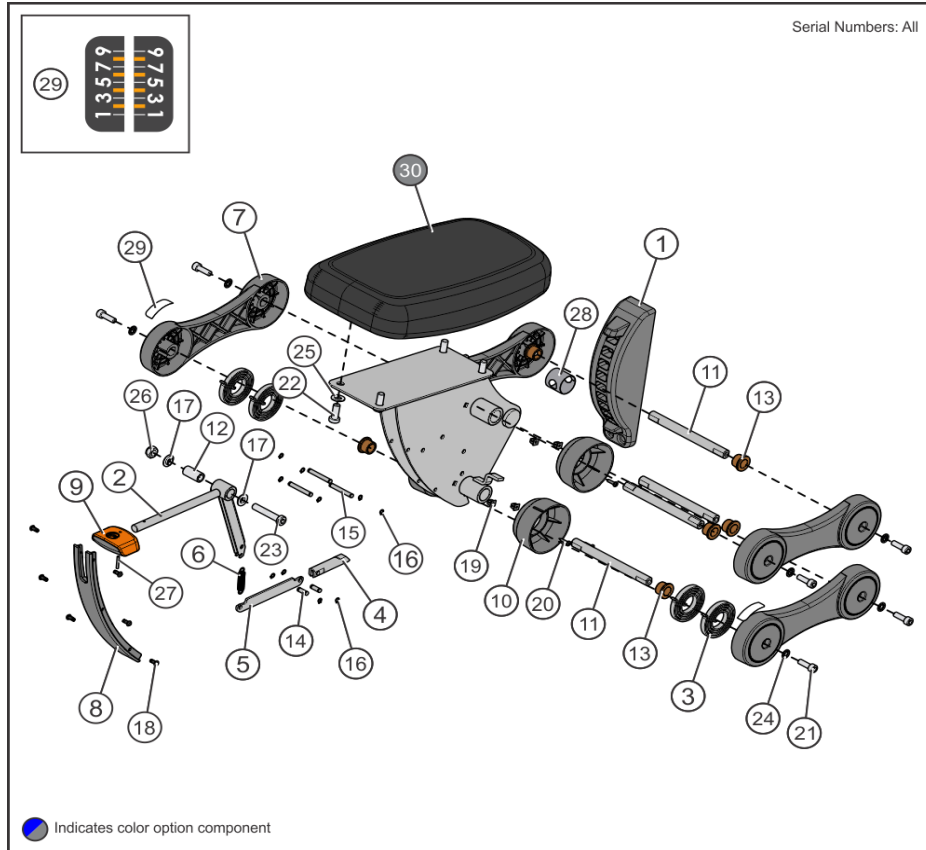
| Ref # | Part Number | Qty | Description |
|-------|--------------|-----|--|
| 1 | 1008552-0001 | 2 | BUMPER: EA FOAM, INC WEIGHT |
| 2 | 1008566-0001 | 2 | GUARD: INCREMENT WEIGHT, 0.375 |
| 3 | 1008366-0028 | 2 | PLATE: INCREMENT WEIGHT, 7.5LB - CHR |
| 4 | 1010805-0001 | 8 | GUIDE ROD ASSY: INCR WT, 3/8", CHARCOAL GRAY |
| 5 | 3236201 | 2 | M10 X 1.5 X 20 SHCS, LOW HEAD |
| 6 | 3236601 | 2 | WASHER, 3/8 SAE STAINLESS STEEL |
| 7 | 3102506 | 4 | WASHER, FLAT 1/4 ID ZN |
| 8 | 3102806 | 4 | NUT, NYLOCK 1/4-20 |
| 9 | 1008192-0002 | 4 | GUIDE ROD: 0.25 OD SOLID, 54.75" |
| 10 | 1010712-2801 | 2 | WLDMT: BRACKET, INC WEIGHT SPACER, 6" -CHR |

Rear Shroud



| Ref # | Part Number | Qty | Description |
|-------|-----------------|-----|-------------------------------------|
| 1 | 1018509-0001 | 2 | ASSY: TOP TRIM, PLACARD MNT |
| 2 | 9415801 | 4 | GASKET, TRAP TUBE |
| 3 | 9412701 | 4 | ASSY, TRAP TUBE, CAP -BTM |
| 4 | 3275801 | 4 | SCREW, 8 X 3/4 DIN PHL PAN AB ST ZB |
| 5 | 1006620-0001 | 20 | RETAINER: PANEL, 9/32 X 1/2 NYL |
| 6 | 3237405 | 6 | PLUG, 7/16 IN HOLE |
| 7 | 0017-00101-1587 | 8 | RVT 201X0413X.354 T NY NO |
| 8 | 0017-00042-1147 | 4 | GROMMET: SCREW, 8 OR 10 |
| 9 | 1009335-0001 | 2 | SHROUD: REAR, W/LOGO, STD |
| 10 | 1008491-0001 | 2 | LABEL, LIFE FITNESS, 16IN |

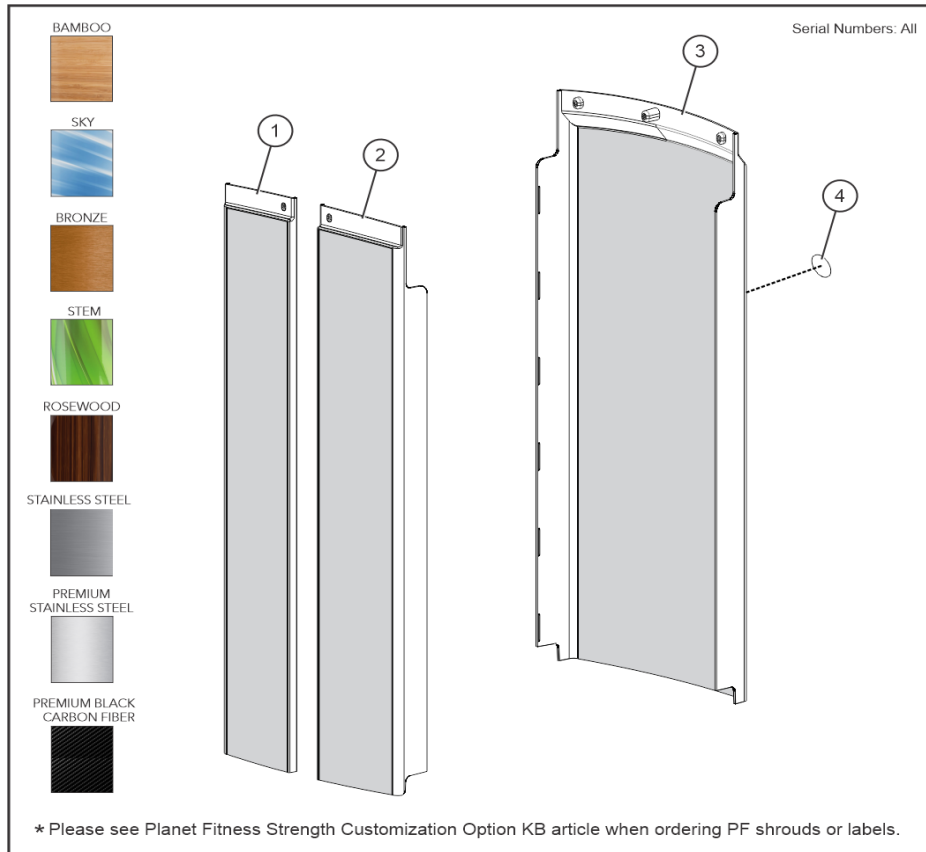
Seat Assembly



| Ref # | Part Number | Qty | Description |
|-------|-----------------|-----|-------------------------------------|
| 1 | 1000144-0001 | 2 | ADJUST BRKT, SS RF SEAT |
| 2 | 9402028 | 2 | WLDMT, SS-FLY SEAT HANDLE, CHR |
| 3 | 9365401 | 4 | SPRING, SPIRAL TORSION |
| 4 | 9401101 | 2 | PULLPIN, SS-SEAT |
| 5 | 9401001 | 2 | PLATE, SS-SEAT HANDLE CONNECT |
| 6 | 3239201 | 2 | SPRING, EXT, .375 X .049 X 2.0 |
| 7 | 9365228 | 2 | SEAT LINK, CAST -CHR |
| 8 | 9402201 | 2 | GUARD, SS-SEAT, CHR |
| 9 | 9402503 | 2 | HANDLE, SS-SEAT - YEL |
| 10 | 9402801 | 8 | ADJUST RING, SS-SEAT, CHR |
| 11 | 9448401 | 8 | SHAFT, SS-SEAT, 15MM |
| 12 | 7776501 | 2 | SHAFT, .625 X .406 X 1.200 |
| 13 | 3275004 | 16 | BEARING, FLANGE, METRIC 15MM |
| 14 | 7407501 | 4 | PIN, LINK X .520 |
| 15 | 9541701 | 6 | PIN, LINK |
| 16 | 3232401 | 20 | RNG, BRE .230,5100-25, ST,PP,B |
| 17 | 7776401 | 4 | SPACER, FLANGE .406 X .495 X .81 |
| 18 | 0017-00101-1587 | 12 | RVT 201X0413X.354 T NY NO |
| 19 | 0017-00042-1147 | 16 | GROMMET: SCREW, 8 OR 10 |
| 20 | 3275801 | 16 | SCREW, 8 X 3/4 DIN PHL PAN AB ST ZB |
| 21 | 3276202 | 16 | SCREW, SHCS M8 X 1.25 X "L" |
| 22 | 3236201 | 8 | M10 X 1.5 X 20 SHCS, LOW HEAD |

| Ref # | Part Number | Qty | Description |
|-------|--------------|-----|--|
| 23 | 3236208 | 2 | M10 X 1.5 X 55 SHCS, LOW HEAD |
| 24 | 3239502 | 16 | WSH, 326-.602-031 IN-D ST ZN |
| 25 | 3236601 | 8 | WASHER,3/8 SAE STAINLESS STEEL |
| 26 | 3236801 | 2 | NUT, NYLOCK M10 X 1.5 SS |
| 27 | 3110010 | 2 | ROLL PIN, 1/8 X DIA X 7/8 |
| 28 | 9485701 | 2 | PAINT GUARD, PIN HOUSING |
| 29 | 9480801 | 2 | LABEL; SEAT POSITION, SMALL |
| 30 | 1000019-0199 | 2 | PAD, 15 X 9 RECTANGULAR CUS, DBL STITCH- Custom |
| 30 | 1000019-0099 | 2 | PAD, 15 X 9 RECTANGULAR CUS, SNGL STITCH- Custom |

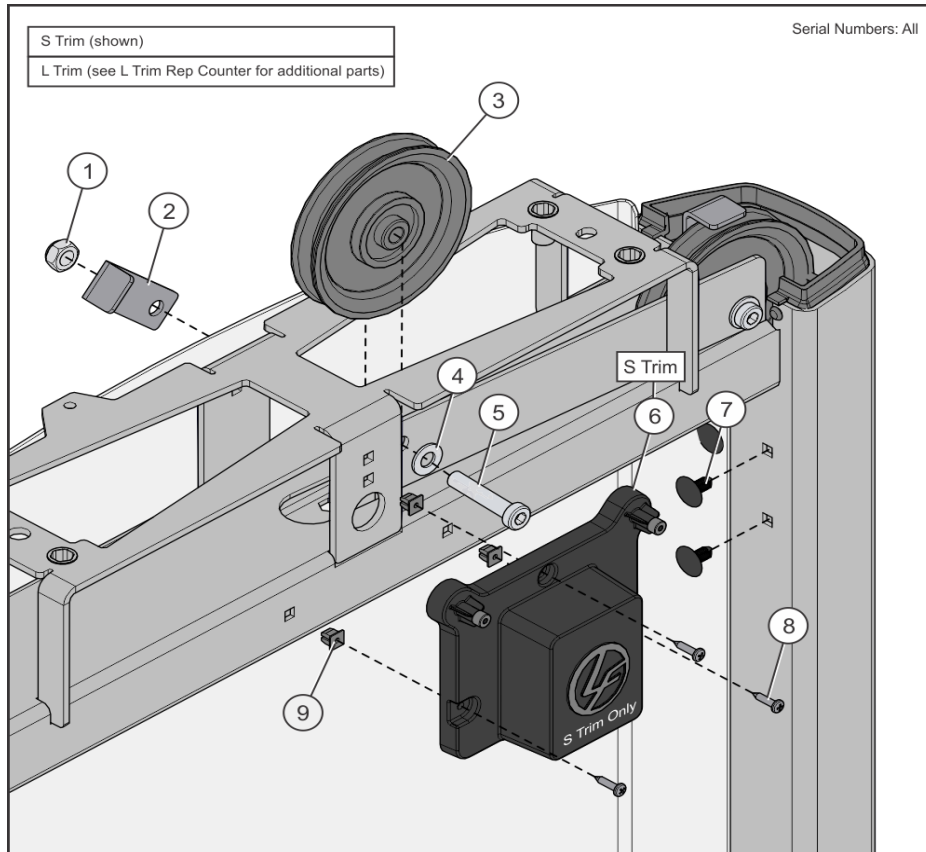
Shroud Wraps



| Ref # | Part Number | Qty | Description |
|-------|--------------|-----|------------------------------------|
| 1 | 1003204-0009 | 2 | SHROUD, SS, FNT, LT, SRT, ABS-PBCF |
| 1 | 1003204-0008 | 2 | SHROUD, SS, FNT, LT, SRT, ABS-PSS |
| 1 | 1003204-0007 | 2 | SHROUD, SS, FNT, LT, SRT, ABS-SS |
| 1 | 1003204-0006 | 2 | SHROUD, SS, FNT, LT, SRT, ABS-RSW |
| 1 | 1003204-0005 | 2 | SHROUD, SS, FNT, LT, SRT, ABS-STM |
| 1 | 1003204-0004 | 2 | SHROUD, SS, FNT, LT, SRT, ABS-BRZ |
| 1 | 1003204-0003 | 2 | SHROUD, SS, FNT, LT, SRT, ABS-SKY |
| 1 | 1003204-0002 | 2 | SHROUD, SS, FNT, LT, SRT, ABS-BAM |
| 2 | 1003203-0002 | 2 | SHROUD, SS, FNT, RT, SRT, ABS-BAM |
| 2 | 1003203-0009 | 2 | SHROUD, SS, FNT, RT, SRT, ABS-PBCF |
| 2 | 1003203-0008 | 2 | SHROUD, SS, FNT, RT, SRT, ABS-PSS |
| 2 | 1003203-0007 | 2 | SHROUD, SS, FNT, RT, SRT, ABS-SS |
| 2 | 1003203-0006 | 2 | SHROUD, SS, FNT, RT, SRT, ABS-RSW |
| 2 | 1003203-0005 | 2 | SHROUD, SS, FNT, RT, SRT, ABS-STM |
| 2 | 1003203-0004 | 2 | SHROUD, SS, FNT, RT, SRT, ABS-BRZ |
| 2 | 1003203-0003 | 2 | SHROUD, SS, FNT, RT, SRT, ABS-SKY |
| 3 | 1003205-0002 | 2 | SHROUD, SS, REAR, SRT, ABS-BAM |
| 3 | 1003205-0003 | 2 | SHROUD, SS, REAR, SRT, ABS-SKY |
| 3 | 1003205-0004 | 2 | SHROUD, SS, REAR, SRT, ABS-BRZ |
| 3 | 1003205-0005 | 2 | SHROUD, SS, REAR, SRT, ABS-STM |
| 3 | 1003205-0006 | 2 | SHROUD, SS, REAR, SRT, ABS-RSW |
| 3 | 1003205-0007 | 2 | SHROUD, SS, REAR, SRT, ABS-SS |

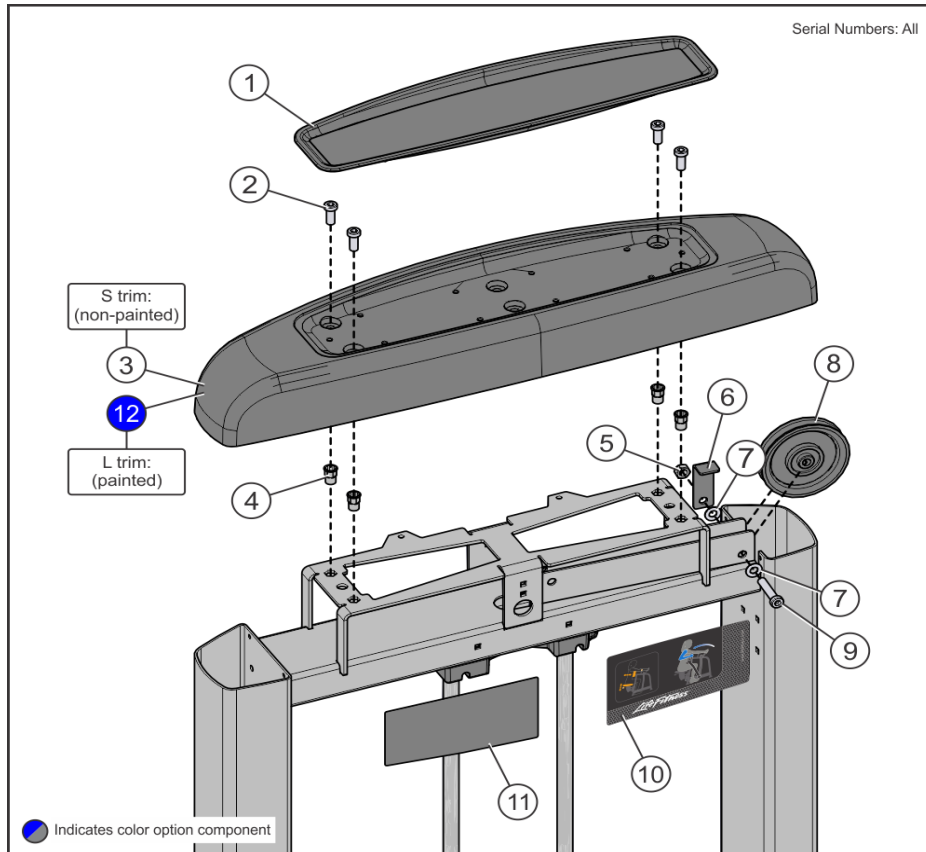
| Ref # | Part Number | Qty | Description |
|--------------|--------------------|------------|--|
| 3 | 1003205-0008 | 2 | SHROUD, SS, REAR, SRT, ABS-PSS |
| 3 | 1003205-0009 | 2 | SHROUD, SS, REAR, SRT, ABS-PBCF |
| 4 | AK58-00245-2401 | 2 | MEDALLION-ASSY: BUG, LIFE FITNESS, CHARCOAL GRAY |

S and L Trim Tower Top



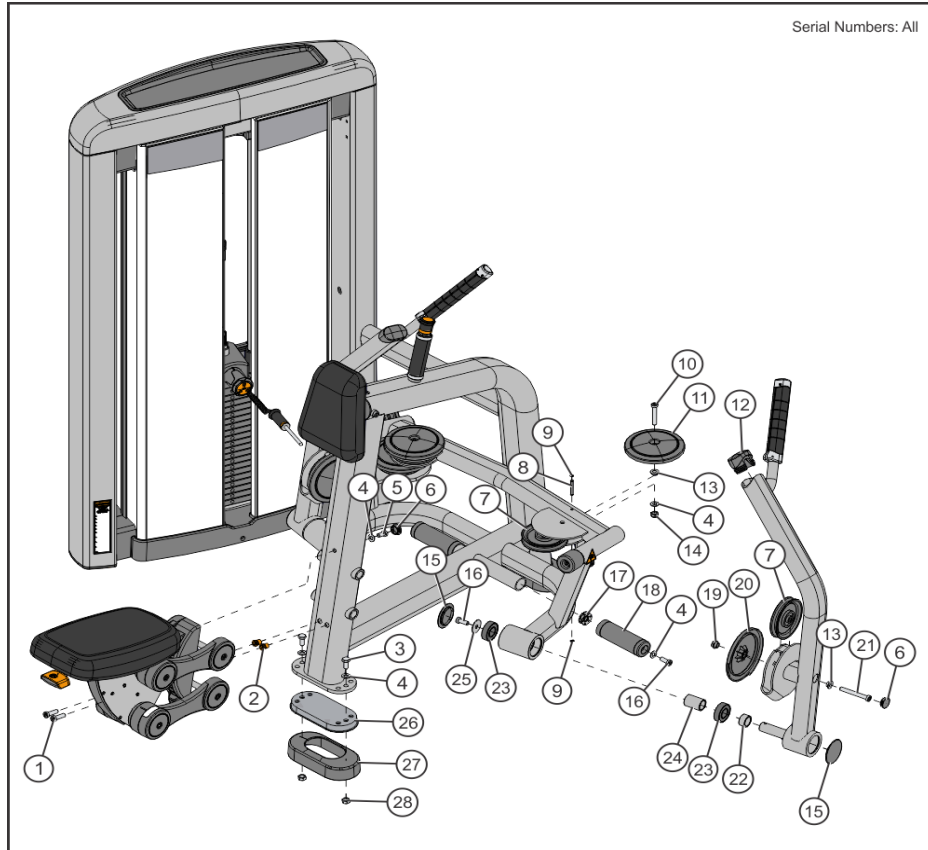
| Ref # | Part Number | Qty | Description |
|-------|-----------------|-----|---------------------------------------|
| 1 | 3236801 | 2 | NUT, NYLOCK M10 X 1.5 SS |
| 2 | 6757701 | 2 | CLIP, CABLE 2-7/8 X 1 X 1 |
| 3 | 9319901 | 2 | PULLEY, 3/16 IN CABLE (T2), 4.5 IN OD |
| 4 | 3236601 | 2 | WASHER, 3/8 SAE STAINLESS STEEL |
| 5 | 3236207 | 2 | M10 X 1.5 X 50 SHCS, LOW HEAD |
| 6 | 1006334-0001 | 2 | ASSY, DUMMY HOUSING |
| 7 | 1006620-0001 | 4 | RETAINER: PANEL, 9/32 X 1/2 NYL |
| 8 | 3275801 | 6 | SCREW, 8 X 3/4 DIN PHL PAN AB ST ZB |
| 9 | 0017-00042-1147 | 6 | GROMMET: SCREW, 8 OR 10 |

Tower Top



| Ref # | Part Number | Qty | Description |
|-------|-------------|-----|---------------------------------------|
| 1 | 9411201 | 2 | TRAY, TOWER TOP CAP |
| 2 | 3236202 | 8 | M10 X 1.5 X 25 SHCS, LOW HEAD |
| 3 | 9436701 | 2 | CAP, TOWER, TOP, PLASTIC |
| 4 | 3238601 | 8 | M10X1.5 BLIND THREADED INSERT (HEX) |
| 5 | 3236801 | 2 | NUT, NYLOCK M10 X 1.5 SS |
| 6 | 6757701 | 2 | CLIP, CABLE 2-7/8 X 1 X 1 |
| 7 | 3236601 | 4 | WASHER, 3/8 SAE STAINLESS STEEL |
| 8 | 9319901 | 2 | PULLEY, 3/16 IN CABLE (T2), 4.5 IN OD |
| 9 | 3236208 | 2 | M10 X 1.5 X 55 SHCS, LOW HEAD |
| 10 | 9477401 | 2 | LABEL, SS-RW PLACARD, RH |
| 11 | 9465810 | 2 | LABEL, SS-RW PLACARD, LH - RUS |
| 11 | 9465808 | 2 | LABEL, SS-RW PLACARD, LH - POR |
| 11 | 9465807 | 2 | LABEL, SS-RW PLACARD, LH - JAP |
| 11 | 9465804 | 2 | LABEL, SS-RW PLACARD, LH - SPN |
| 11 | 9465801 | 2 | LABEL, SS-RW PLACARD, LH - ENG |
| 11 | 9465812 | 2 | LABEL, SS-RW PLACARD, LH - CHI |
| 12 | 9412600 | 2 | CAP, SS, CAST Custom |

Work Arm



| Ref # | Part Number | Qty | Description |
|-------|-------------|-----|---------------------------------------|
| 1 | 3236204 | 4 | M10 X 1.5 X 35 SHCS, LOW HEAD |
| 2 | 3238601 | 4 | M10X1.5 BLIND THREADED INSERT (HEX) |
| 3 | 3251202 | 8 | M10 X 1.5 X 25MM UNS HEX CS ST ZN |
| 4 | 3236601 | 2 | WASHER, 3/8 SAE STAINLESS STEEL |
| 5 | 3236201 | 12 | M10 X 1.5 X 20 SHCS, LOW HEAD |
| 6 | 3237407 | 6 | PLUG, 1 IN HOLE |
| 7 | 9319901 | 6 | PULLEY, 3/16 IN CABLE (T2), 4.5 IN OD |
| 8 | 7407504 | 4 | PIN, LINK X 1.675 |
| 9 | 3232401 | 8 | RNG, BRE .230,5100-25, ST,PP,B |
| 10 | 3236209 | 4 | M10 X 1.5 X 60 SHCS, LOW HEAD |
| 11 | 7629902 | 4 | COVER, PULLEY-BOLTED FULL |
| 12 | 7333802 | 4 | CAP, SMALL FLOV-END |
| 13 | 7630101 | 8 | RETAINER, CM/MJ, PULLEY |
| 14 | 3236801 | 4 | NUT, NYLOCK M10 X 1.5 SS |
| 15 | 7308702 | 8 | CAP, BEARING HOUSING |
| 16 | 3236202 | 8 | M10 X 1.5 X 25 SHCS, LOW HEAD |
| 17 | 7347301 | 4 | NUT, SPIDER M10 X 1.5 |
| 18 | 7800102 | 4 | GRIP, 1.50 ID FOOT |
| 19 | 7335401 | 4 | NUT, M10 X 1.5 SOCKET HEAD |
| 20 | 8104502 | 4 | COVER, PULLEY-BOLTED NOTCHED |
| 21 | 3236213 | 4 | M10 X 1.5 X 80 SHCS, LOW HEAD |
| 22 | 7330002 | 4 | SPACER, INTERNAL X .653 |

| Ref # | Part Number | Qty | Description |
|-------|-------------|-----|--------------------------------|
| 23 | 3235601 | 8 | BEARING, 6205 BALL |
| 24 | 7330006 | 4 | SPACER, INTERNAL X 1.765 |
| 25 | 3236701 | 4 | WSHR,FENDER 3/8 ID X 1.5 OD SS |
| 26 | 9319301 | 4 | FOOT, 2.5 X 4.49 FLOV |
| 27 | 9319401 | 4 | COVER, FOOT -STRT |
| 28 | 3254703 | 8 | NUT, M10 X 1.5 HEX ZINC |

