

INSIGNIA LATERAL RAISE

SS-LR

Parts Manual

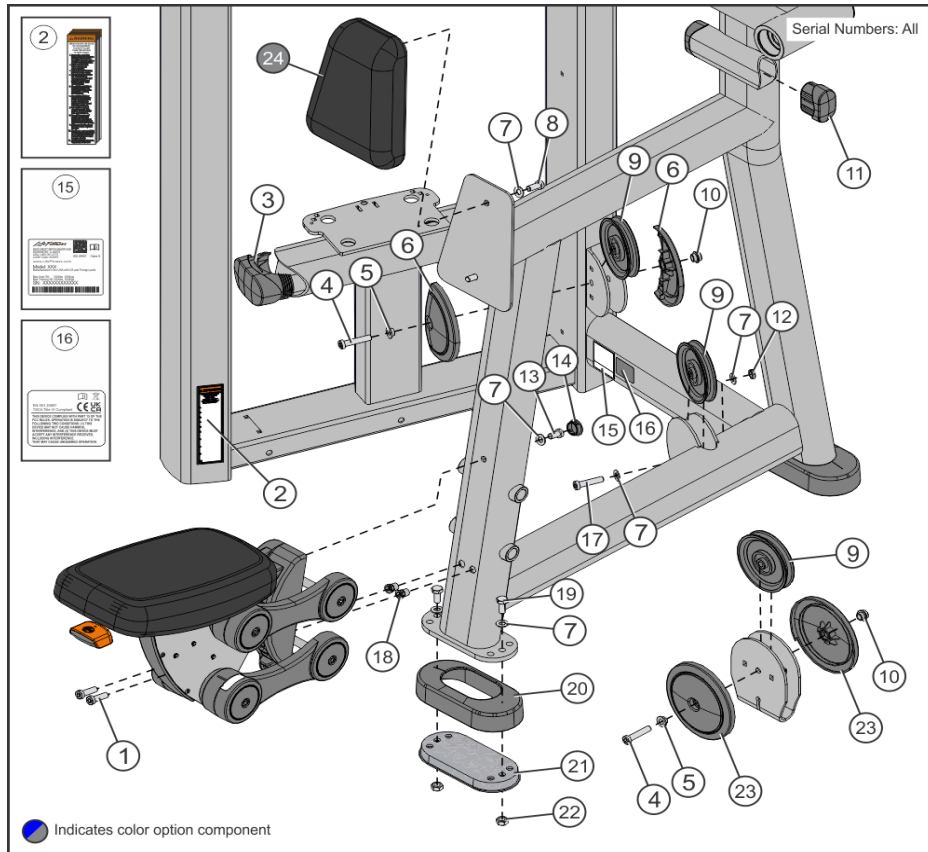
11/17/2024 21:04:21 PM



Table of Contents

Baseframe	3
Base P-Stack	5
Base T-Stack Head Plate Assy (previous)	6
Base T-Stack (previous)	7
Cables	8
C and X Head Plate	9
C and X Increment Weights	10
Frame Painted Items	11
Full Shroud	12
Heavy X-Stack	13
Light C-Stack	14
Light C-Stack (previous)	15
Light X-Stack (previous)	16
L Trim Rep Counter	17
Previous C and X Increment Weights	18
Previous C and X Increment Weight Assembly	19
P-Stack Head Plate Assy	20
P-Stack Increment Weight	21
Rear Shroud	22
Seat Assembly	23
Shroud Wraps	25
S and L Trim Tower Top	27
Tower Top	28
Work Arm	29

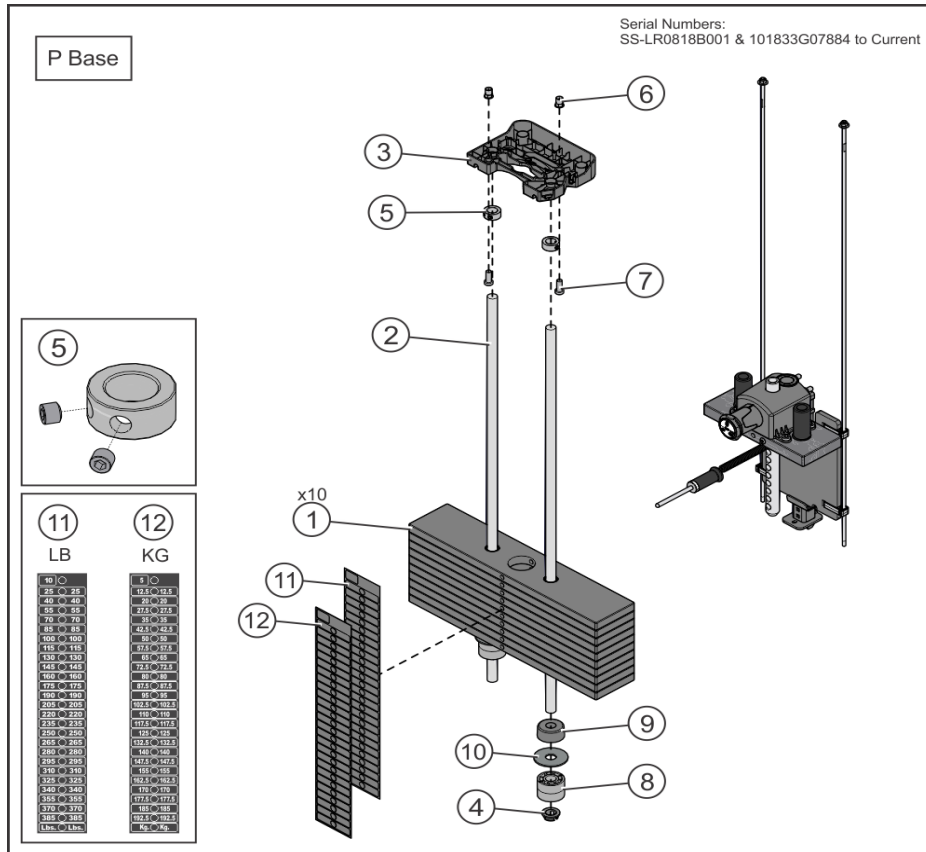
Baseframe



Ref #	Part Number	Qty	Description
1	3236204	2	M10 X 1.5 X 35 SHCS, LOW HEAD
2	8220000	1	LABEL, ASTM WARNING FW SELECT
3	7333902	2	CAP, LARGE FLOV-END; CHGR
4	3236207	2	M10 X 1.5 X 50 SHCS, LOW HEAD
5	7630101	2	RETAINER, CM/MJ, PULLEY
6	8094102	2	COVER, PULLEY -BOLTED PARTIAL -CHGR
7	3236601	7	WASHER,3/8 SAE STAINLESS STEEL
9	9319901	2	PULLEY, 3/16 IN CABLE (T2), 4.5 IN OD
10	7335401	2	NUT, M10 X 1.5 SOCKET HEAD
11	7333802	2	CAP, SMALL FLOV-END
12	3236901	1	NUT, HEX JAM M10 X 1.5 SS
13	3251201	1	M10 X 1.5 X 20MM UNS HEX CS ST ZN
14	3237407	1	PLUG, 1 IN HOLE
15	7571301	1	LABEL, SERIAL NUMBER
16	9488901	1	LABEL, INSIGNIA, FCC
17	3236206	1	M10 X 1.5 X 45 SHCS, LOW HEAD
18	3238601	2	M10X1.5 BLIND THREADED INSERT (HEX)
19,8	3251202	6	M10 X 1.5 X 25MM UNS HEX CS ST ZN
20	9461301	2	COVER, FOOT -10 deg
21	9319301	2	FOOT, 2.5 X 4.49 FLOV
22	3254703	4	NUT, M10 X 1.5 HEX ZINC
23	8104502	2	COVER, PULLEY-BOLTED NOTCHED

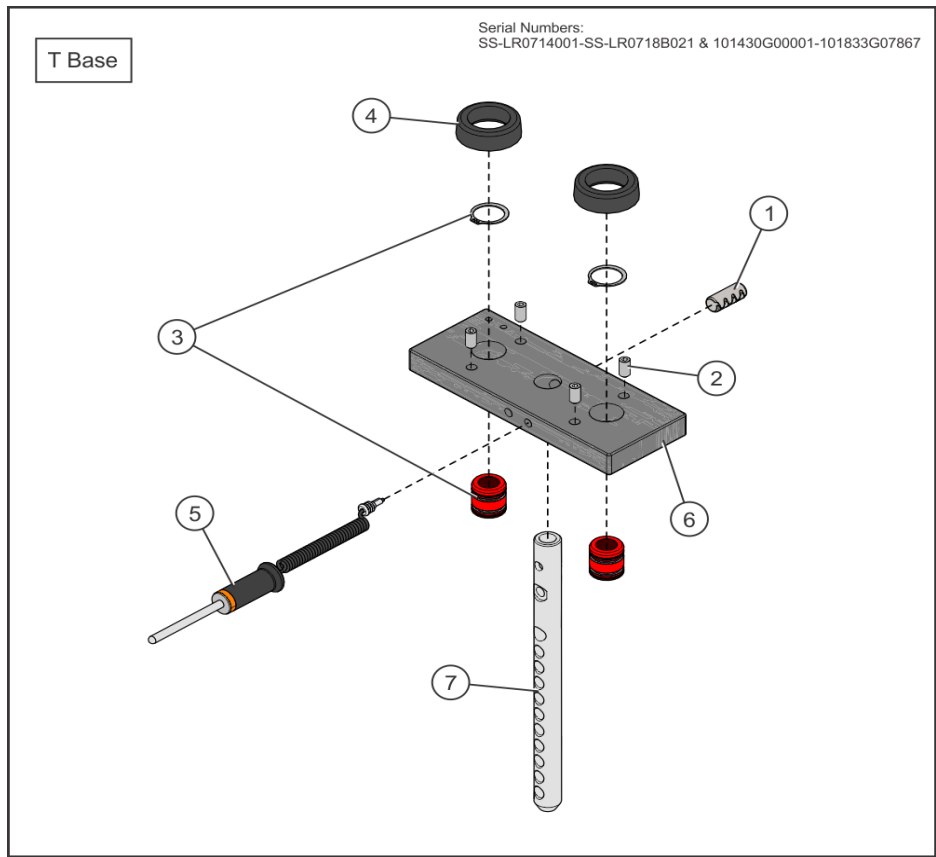
Ref #	Part Number	Qty	Description
24	1000008-0099	1	PAD, CHEST 10 X 7-5/8, SNGL STITCH- Custom
24	1000008-0199	1	PAD, CHEST 10 X 7-5/8, NO BACKER, DBL STITCH- Custom

Base P-Stack



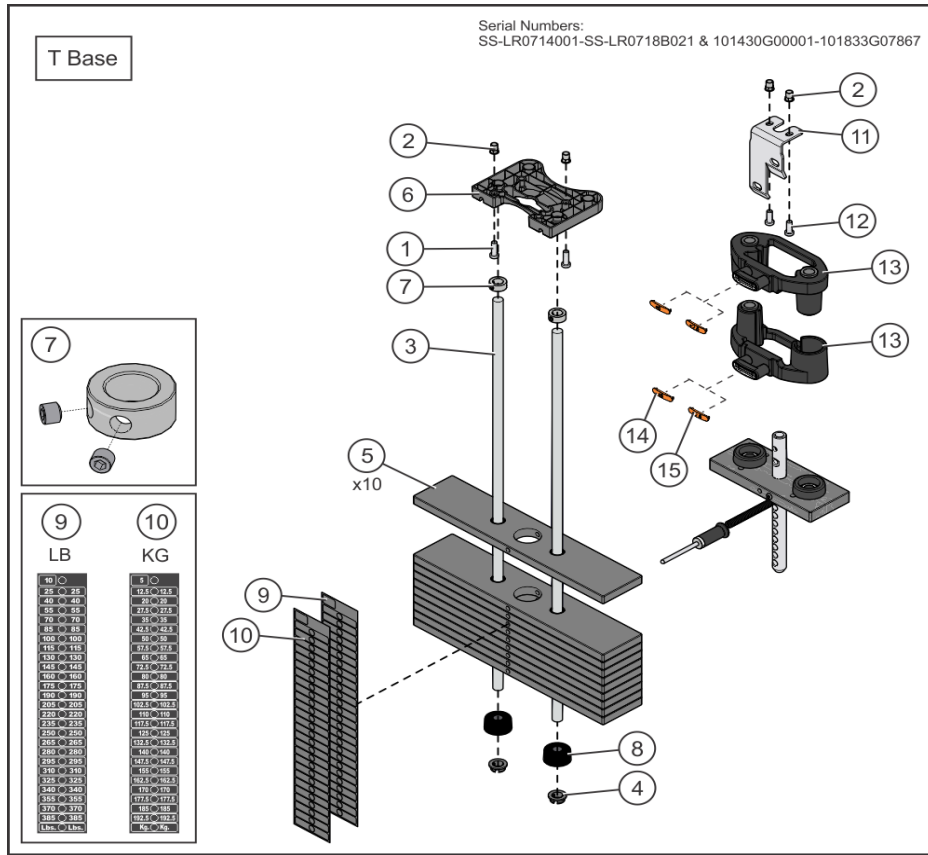
Ref #	Part Number	Qty	Description
1	9407601	10	WGT PL, 3/4IN X 4IN, 15LB
2	7328612	2	GUIDE ROD, .75 OD SOLID X 50.36
3	1015452-0001	1	RETAINER: GUIDE ROD, NYL
4	7337901	2	BUSHING, GUIDE ROD
5	3103301	2	SHAFT COLLAR, 3/4" ID ZINC
6	3238601	2	M10X1.5 BLIND THREADED INSERT (HEX)
7	3236202	2	M10 X 1.5 X 25 SHCS, LOW HEAD
8	1004349-0001	2	SPACER, WGT STK, 2 PL8
9	7352101	2	CUSHION, WEIGHT STACK
10	1010765-0001	2	WASHER: 0.80 OD, 11GA
11	9475101	1	LABEL, 3/4 IN WGT STACK, 385 LB
12	9475401	1	LABEL, 3/4 IN WGT STACK, 192.5 KG

Base T-Stack Head Plate Assy (previous)



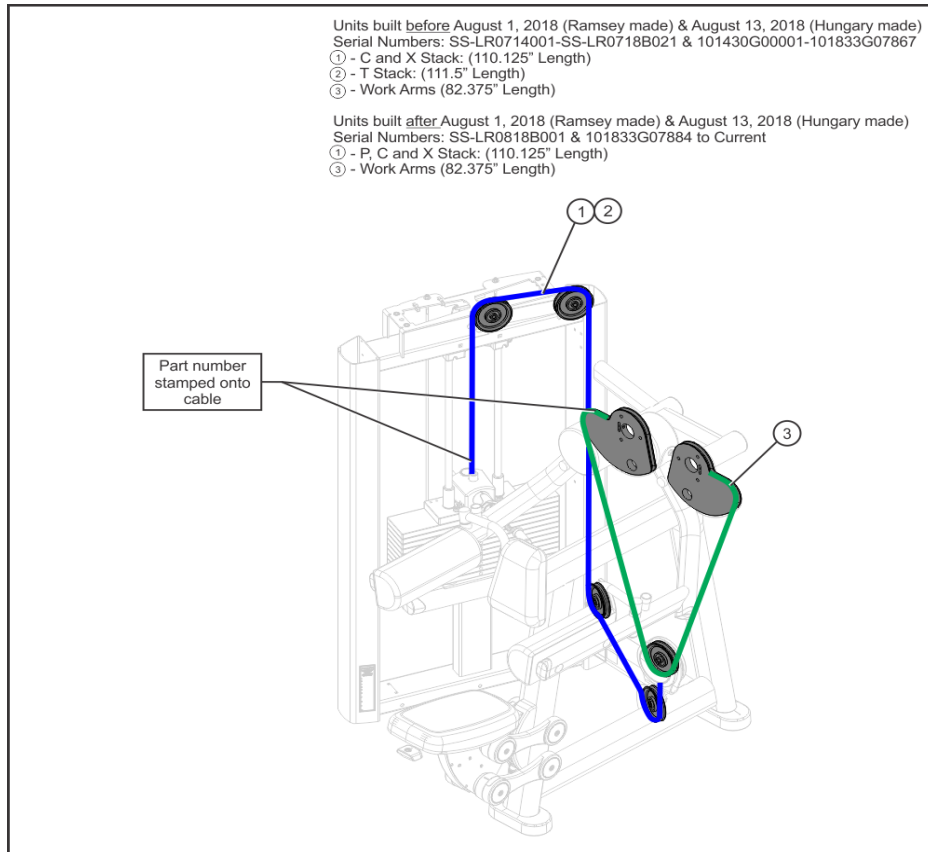
Ref #	Part Number	Qty	Description
1	3236001	1	BUSHING, SPRING PIN
2	3240501	4	M10 X 1.5 X 20 HXS NO CUP ST BO
3	7338001	2	BUSHING, HEADPLATE
4	7767602	2	BUMPER, INCREMENT WT -BLK
5	1003679-0003	1	ASSY, WGT STK SEL PIN -YEL
6	9427401	1	HEADPLATE, WT. STACK, 10LB
7	9434201	1	BAYONET, 10 PLATE

Base T-Stack (previous)



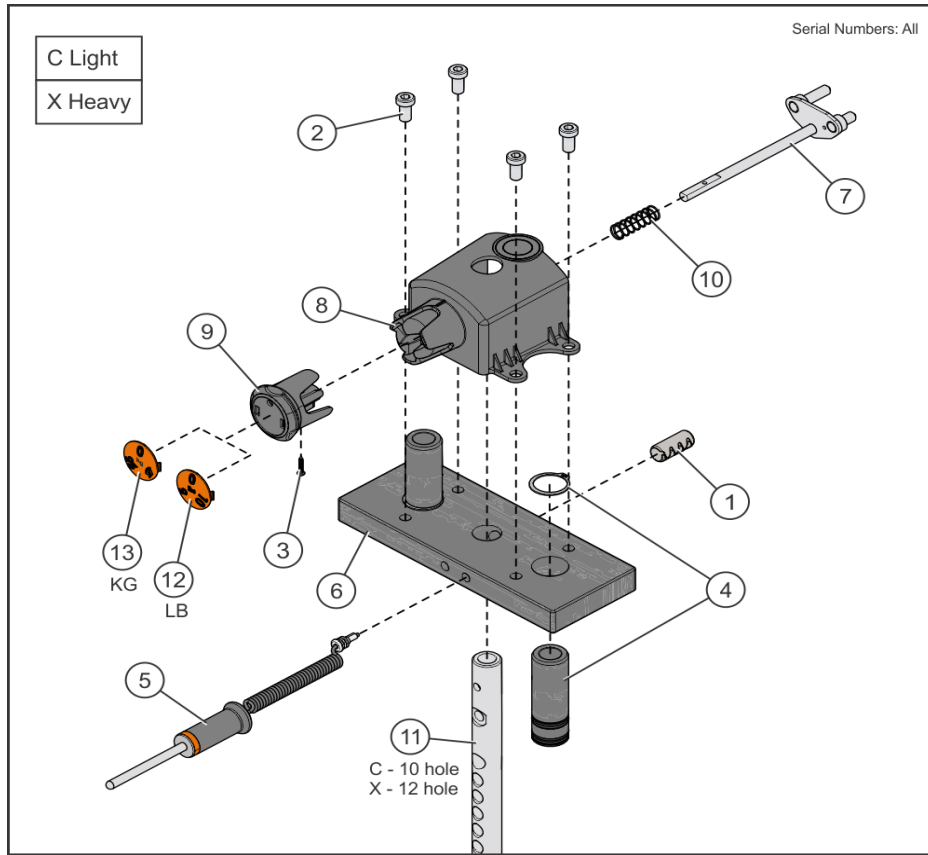
Ref #	Part Number	Qty	Description
1	3236203	2	M10 X 1.5 X 30 SHCS, LOW HEAD
2	3238601	4	M10X1.5 BLIND THREADED INSERT (HEX)
3	7328612	2	GUIDE ROD, .75 OD SOLID X 50.36
4	7337901	4	BUSHING, GUIDE ROD
5	9407601	10	WGT PL, 3/4IN X 4IN, 15LB
6	1015452-0001	1	RETAINER: GUIDE ROD, NYL
7	3103301	2	SHAFT COLLAR, 3/4" ID ZINC
8	7352101	2	CUSHION, WEIGHT STACK
9	9475101	1	LABEL, 3/4 IN WGT STACK, 385 LB
10	9475401	1	LABEL, 3/4 IN WGT STACK, 192.5 KG
11	9430801	1	BRKT, INC WGT STRIKER
12	3236202	2	M10 X 1.5 X 25 SHCS, LOW HEAD
13	9455403	2	ASSY, DD INC WGT -YEL
14	9462303	1	CAP, DD INC WGT, YEL -LBS
15	9462403	1	CAP, DD INC WGT, YEL -KG

Cables



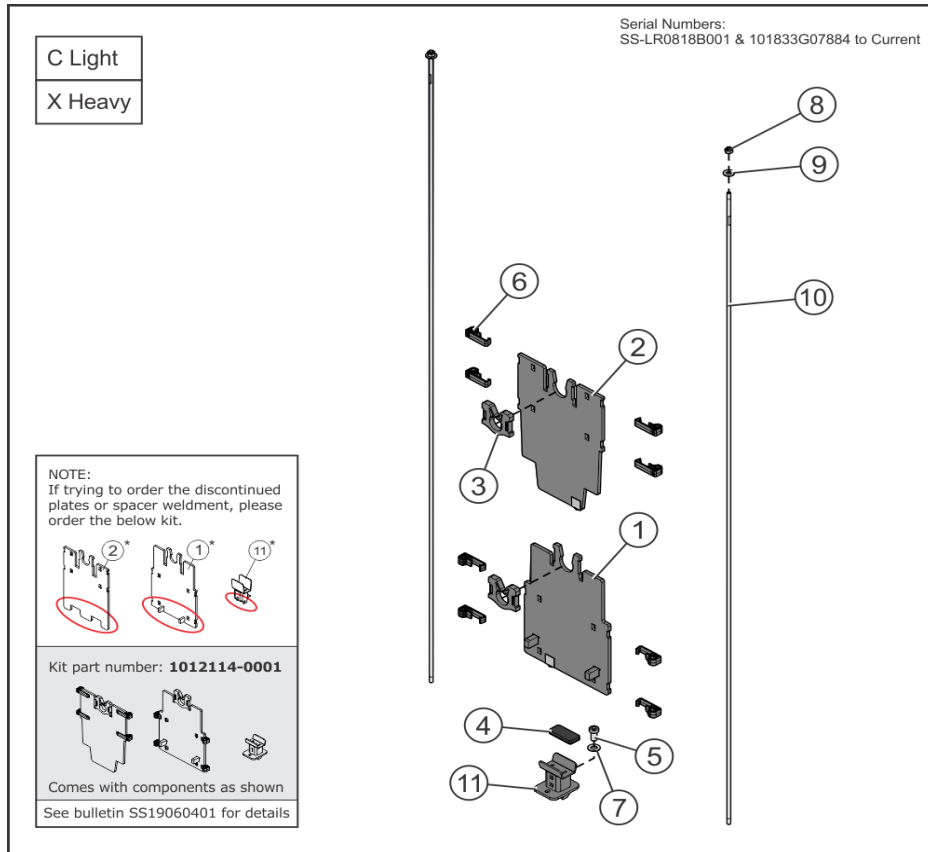
Ref #	Part Number	Qty	Description
1	9423916	1	CABLE, SS-LR-DIAL
2	9423915	1	CABLE, SS-LR-DROP
3	9424805	1	CABLE, SS-LR

C and X Head Plate



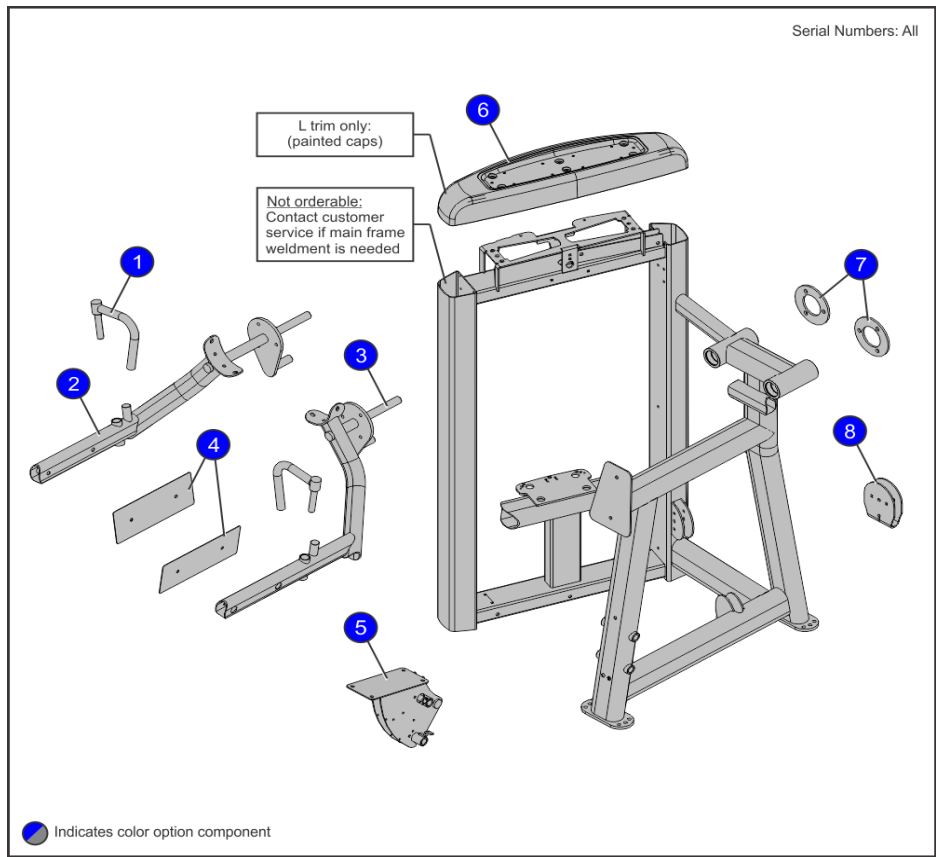
Ref #	Part Number	Qty	Description
1	3236001	1	BUSHING, SPRING PIN
2	3236201	4	M10 X 1.5 X 20 SHCS, LOW HEAD
3	3275601	1	SCREW, 6 X 3/4 DIN PHL PAN AB ST ZB
4	9296001	2	BUSHING, HEADPLATE, LONG
5	1003679-0003	1	ASSY, WGT STK SEL PIN -YEL
6	9427401	1	HEADPLATE, WT. STACK, 10LB
7	1010800-0001	1	WLDMT, INC WGT PIN
8	1017209-0001	1	HOUSING: INC WEIGHT
9	9443201	1	KNOB, INC WEIGHT
10	9443301	1	SPRING, INC WGT PIN
11	9434201	1	BAYONET, 10 PLATE
11	9426001	1	BAYONET, 12 PLATE
12	9431403	1	CAP, SELECTOR KNOB -LBS
13	9450103	1	CAP, SELECTOR KNOB -KGS

C and X Increment Weights



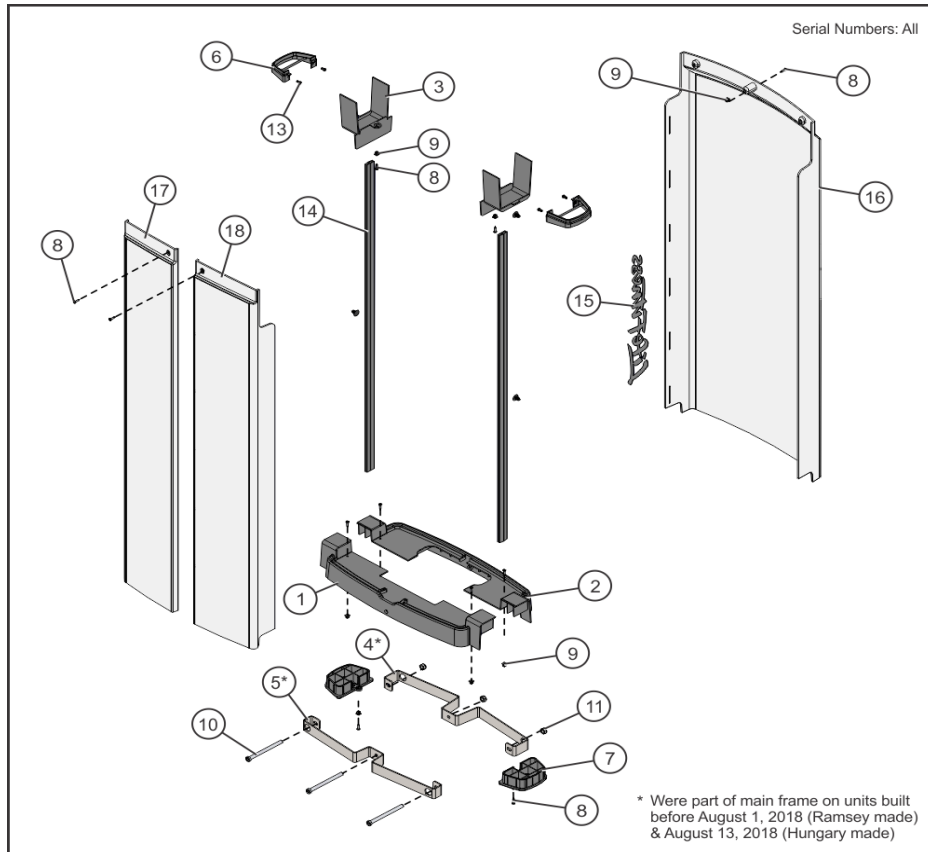
Ref #	Part Number	Qty	Description
1	1010971-2801	1	WLDMT: INC WEIGHT, 5LB, REAR -CHR
2	1010970-2801	1	PLATE: INC WEIGHT, 5LB, FRONT, 1/4" -CHR
3	1008920-0001	2	GUARD: INCREMENT WEIGHT, 0.25
4	1008552-0001	1	BUMPER: EA FOAM, INC WEIGHT
5	3236201	1	M10 X 1.5 X 20 SHCS, LOW HEAD
6	1010803-0001	8	GUIDE ROD ASSY: INCR WT, 1/4", CHARCOAL GRAY
7	3236601	1	WASHER, 3/8 SAE STAINLESS STEEL
8	3102806	2	NUT, NYLOCK 1/4-20
9	3102506	2	WASHER, FLAT 1/4 ID ZN
10	1008192-0002	2	GUIDE ROD: 0.25 OD SOLID, 54.75"
11	1018167-2801	1	WLDMT: BRACKET, INC WEIGHT SPACER, 1" -CHR

Frame Painted Items



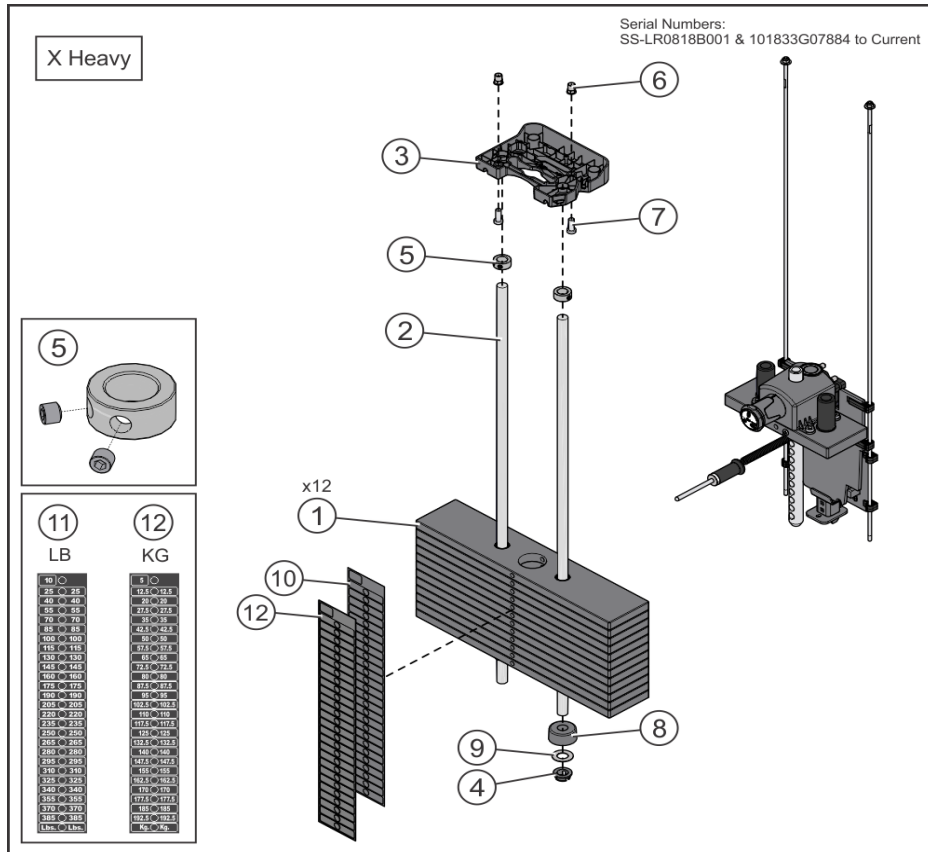
Ref #	Part Number	Qty	Description
1	7608601	2	Weldment FZLR Handle
2	9424900	1	WLDMT, SS-LR, LEFT W-ARM Custom
3	9425000	1	WLDMT, SS-LR, RIGHT W-ARM Custom
4	7608901	2	Arm Pad Plate FZLR
5	9448100	1	WLDMT, SS-RW/LR SEAT SUPPORT Custom
6	9412600	1	CAP, SS, CAST Custom
7	7609001	2	Cam Cover Plate FZLR
8	1000312-0001	1	BRKT, PULLEY, T2 CABLE SLOT WHITE

Full Shroud

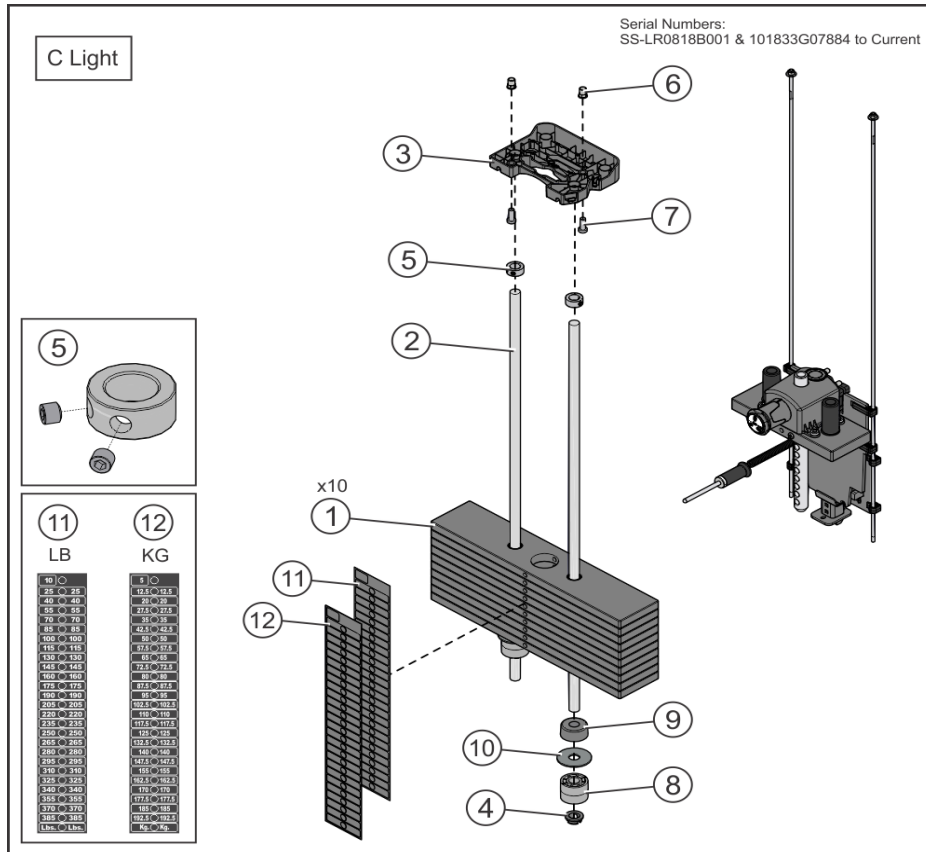


Ref #	Part Number	Qty	Description
1	9410801	1	COVER, TOWER BOTTOM -FRONT
2	1007064-0001	1	COVER: TOWER BOTTOM, REAR
3	9415701	2	COVER, SS, TWR
4	1007623-0001	1	BRACKET: TOWER GUARD, REAR
5	1007622-0001	1	BRACKET: TOWER GUARD, FRONT
6	9415801	2	GASKET, TRAP TUBE
7	9412701	2	ASSY, TRAP TUBE, CAP -BTM
8	3275801	11	SCREW, 8 X 3/4 DIN PHL PAN AB ST ZB
9	0017-00042-1147	9	GROMMET: SCREW, 8 OR 10
10	3236220	3	M10 X 1.5 X 130 SHCS, LOW HEAD
11	3236801	3	NUT, NYLOCK M10 X 1.5 SS
12	1006620-0001	4	RETAINER: PANEL, 9/32 X 1/2 NYL
13	0017-00101-1587	4	RVT 201X0413X.354 T NY NO
14	9414601	2	SHROUD EXTRUSION - SHORT
15	9489101	1	LABEL, LIFE FITNESS, 20IN.
16	9489001	1	SHROUD, SS, REAR, SRT
17	9410601	1	SHROUD, TOWER FRONT, LT - SHORT
18	9410701	1	SHROUD, TOWER FRONT, RT - SHORT

Heavy X-Stack

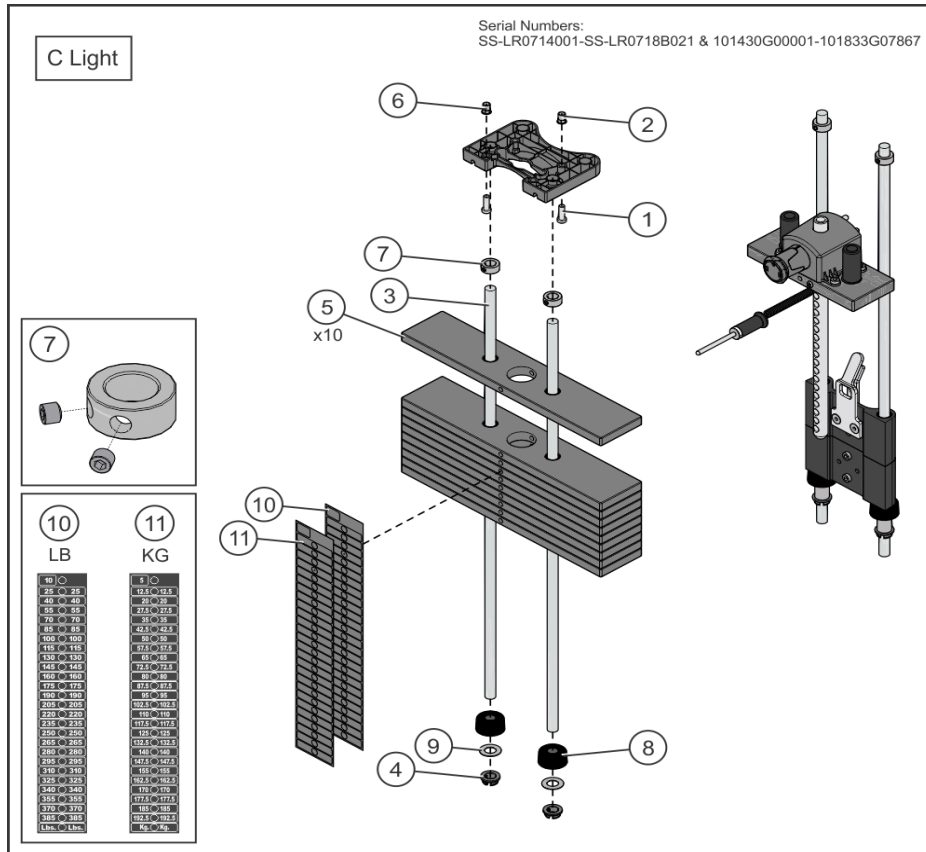


Light C-Stack



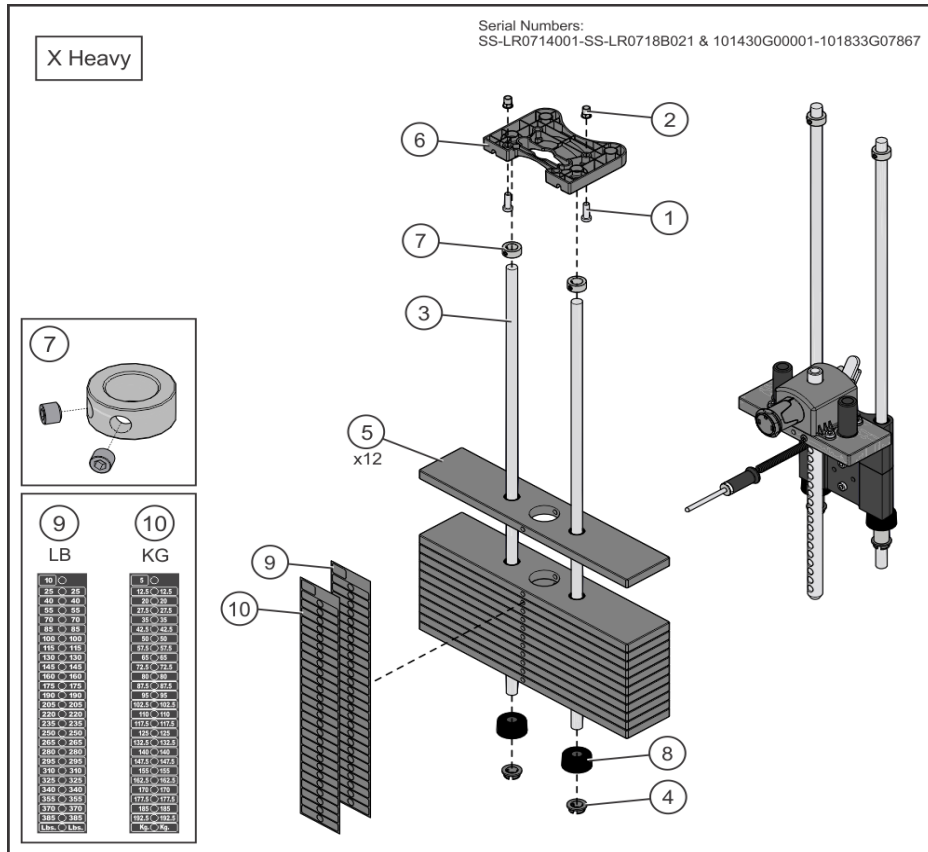
Ref #	Part Number	Qty	Description
1	9407601	10	WGT PL, 3/4IN X 4IN, 15LB
2	7328612	2	GUIDE ROD, .75 OD SOLID X 50.36
3	1015452-0001	1	RETAINER: GUIDE ROD, NYL
4	7337901	2	BUSHING, GUIDE ROD
5	3103301	2	SHAFT COLLAR, 3/4" ID ZINC
6	3238601	2	M10X1.5 BLIND THREADED INSERT (HEX)
7	3236202	2	M10 X 1.5 X 25 SHCS, LOW HEAD
8	1004349-0001	2	SPACER, WGT STK, 2 PL8
9	7352101	2	CUSHION, WEIGHT STACK
10	1010765-0001	2	WASHER: 0.80 OD, 11GA
11	9475101	1	LABEL, 3/4 IN WGT STACK, 385 LB
12	9475401	1	LABEL, 3/4 IN WGT STACK, 192.5 KG

Light C-Stack (previous)



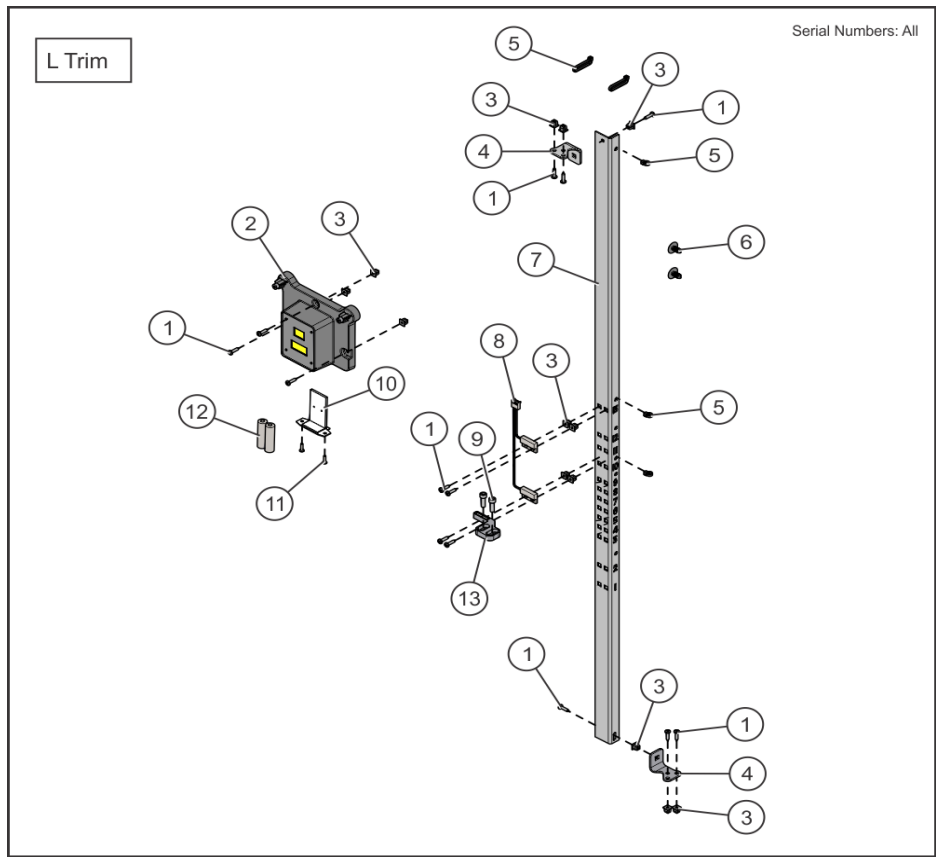
Ref #	Part Number	Qty	Description
1	3236202	2	M10 X 1.5 X 25 SHCS, LOW HEAD
2	3238601	2	M10X1.5 BLIND THREADED INSERT (HEX)
3	7328612	2	GUIDE ROD, .75 OD SOLID X 50.36
4	7337901	4	BUSHING, GUIDE ROD
5	9407601	10	WGT PL, 3/4IN X 4IN, 15LB
6	1015452-0001	1	RETAINER: GUIDE ROD, NYL
7	3103301	2	SHAFT COLLAR, 3/4" ID ZINC
8	7352101	2	CUSHION, WEIGHT STACK
9	7351001	2	SPACER, INC WT STACK
10	9475101	1	LABEL, 3/4 IN WGT STACK, 385 LB
11	9475401	1	LABEL, 3/4 IN WGT STACK, 192.5 KG

Light X-Stack (previous)



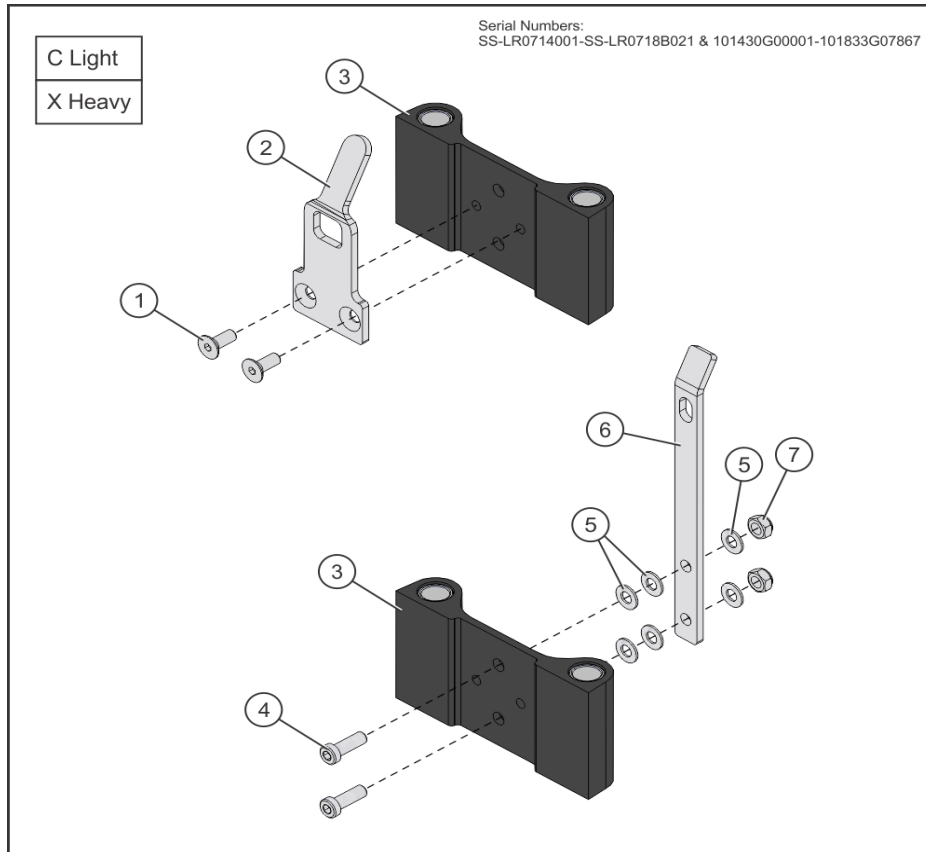
Ref #	Part Number	Qty	Description
1	3236202	2	M10 X 1.5 X 25 SHCS, LOW HEAD
2	3238601	2	M10X1.5 BLIND THREADED INSERT (HEX)
3	7328612	2	GUIDE ROD, .75 OD SOLID X 50.36
4	7337901	4	BUSHING, GUIDE ROD
5	9407601	12	WGT PL, 3/4IN X 4IN, 15LB
6	1015452-0001	1	RETAINER: GUIDE ROD, NYL
7	3103301	2	SHAFT COLLAR, 3/4" ID ZINC
8	7352101	2	CUSHION, WEIGHT STACK
9	9475101	1	LABEL, 3/4 IN WGT STACK, 385 LB
10	9475401	1	LABEL, 3/4 IN WGT STACK, 192.5 KG

L Trim Rep Counter



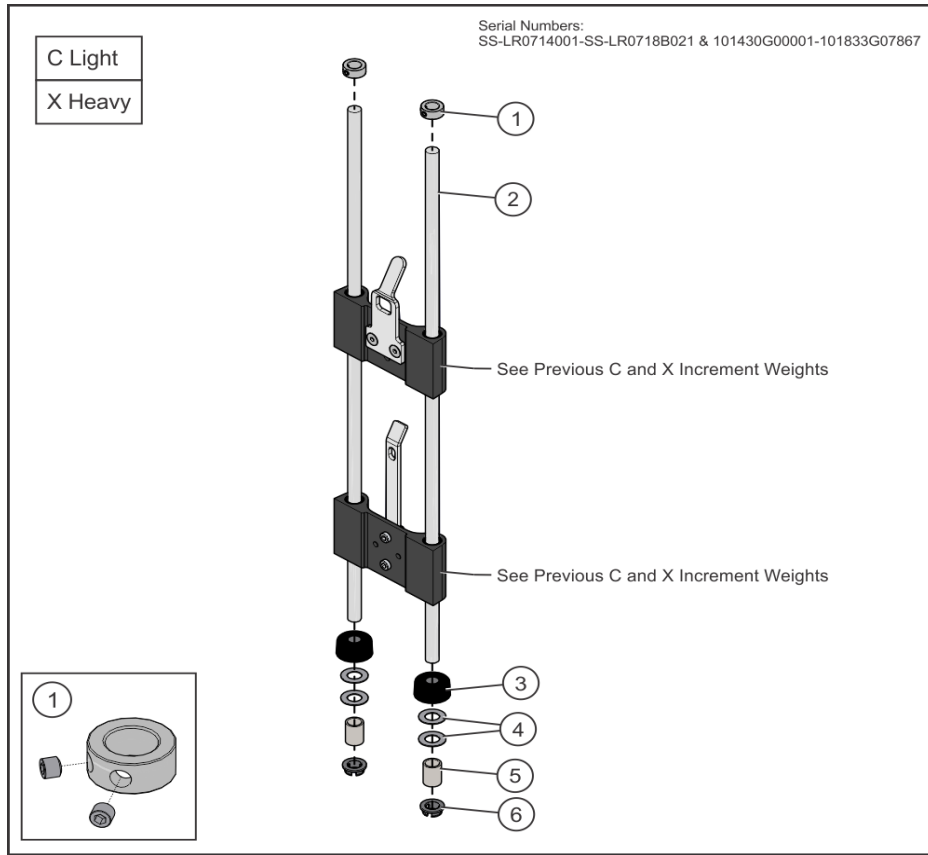
Ref #	Part Number	Qty	Description
1	3275801	13	SCREW, 8 X 3/4 DIN PHL PAN AB ST ZB
2,8	1008199-0001	2	ASSY: REP COUNTER/SWITCH/MAGNET
3	0017-00042-1147	13	GROMMET: SCREW, 8 OR 10
4	1007269-0028	2	BRACKET: RAIL MOUNT, REP CNTR -CHR
5	3276501	5	CABLE TIE 11 IN.
6	1006620-0001	2	RETAINER: PANEL, 9/32 X 1/2 NYL
7	1008003-0028	1	BRACKET: SWITCH MNT, STD -CHR
9	3241701	2	M6 X 1 X 20MM SHCS, STD HEAD
10	9436401	1	DOOR, BATTERY PACK MOUNT
11	3226002	2	6-20 X 7 PHL PAN PLT ST BZ
12	3276401	2	BATTERY, AA
13	1007177-0001	1	ASSY: MAGNET, REP CNTR DCI

Previous C and X Increment Weights



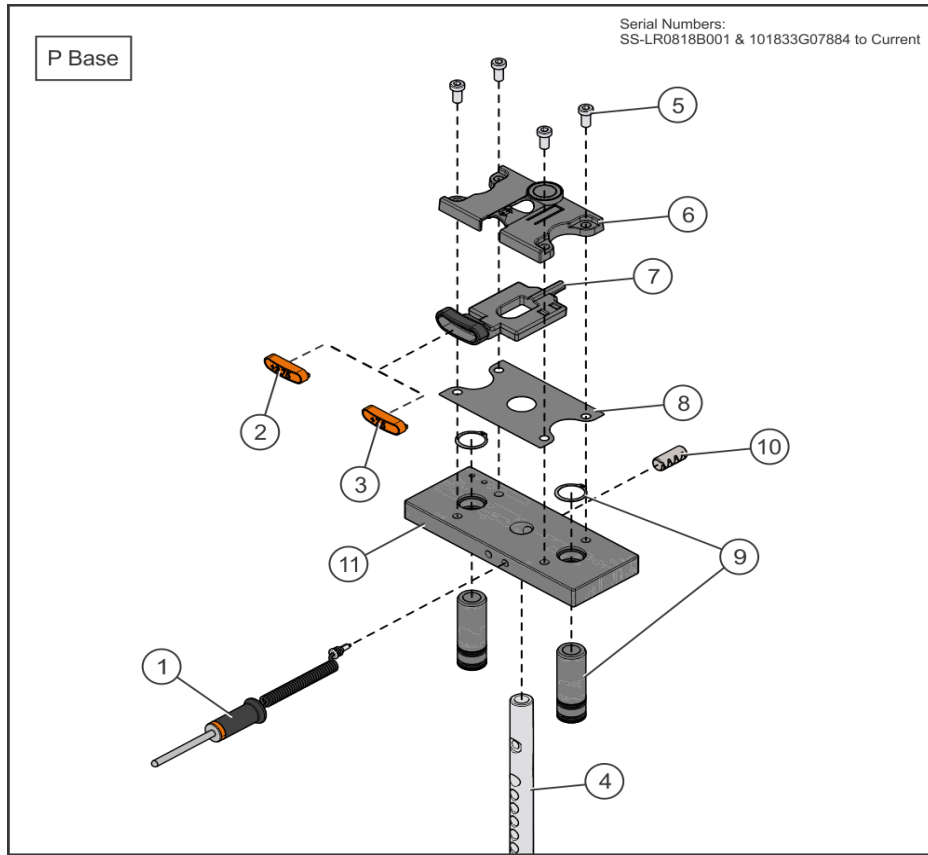
Ref #	Part Number	Qty	Description
1	3238302	2	SCREW, M10 FLTHD X 25MM
2	9428201	1	BRKT, INC WGT -5LB
3	9439701	2	ASSY, INC WGT, SUB
4	3275503	2	SCREW, M10 X 1.5 X 30 SHCS, LOW HEAD -NO PATCH
5	3236601	4	WASHER, 3/8 SAE STAINLESS STEEL
6	1001007-0001	1	BRKT, INC WGT -10LB
7	3236801	2	NUT, NYLOCK M10 X 1.5 SS

Previous C and X Increment Weight Assembly



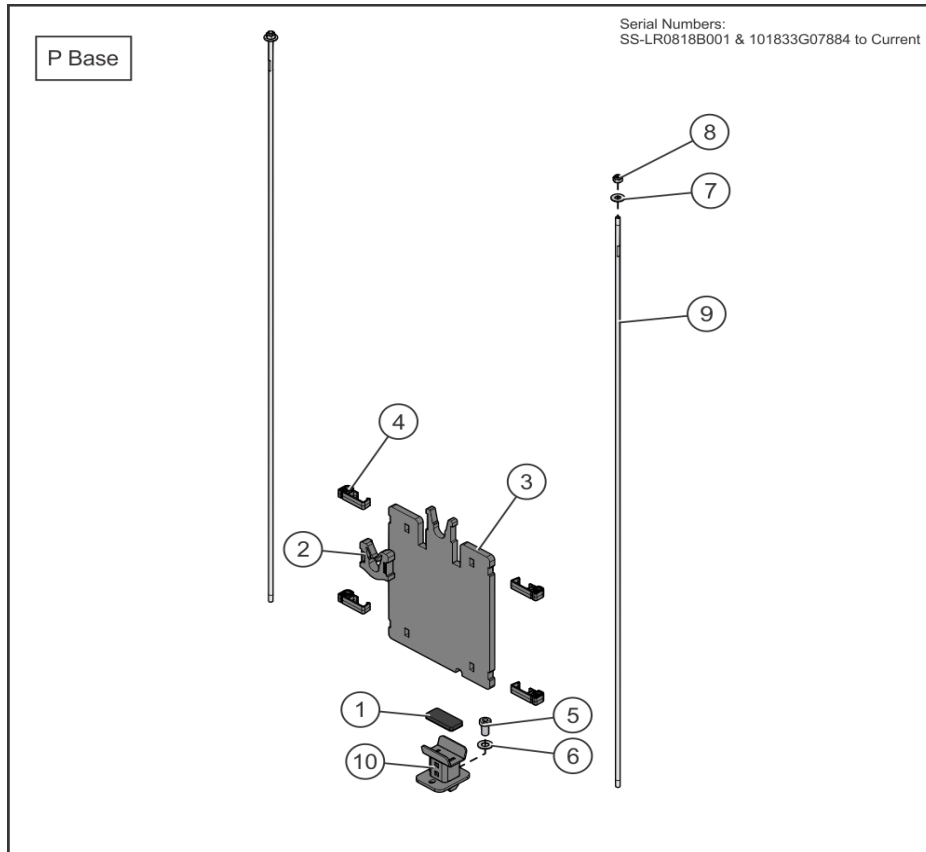
Ref #	Part Number	Qty	Description
1	3103301	2	SHAFT COLLAR, 3/4" ID ZINC
2	7328612	2	GUIDE ROD, .75 OD SOLID X 50.36
3	7352101	2	CUSHION, WEIGHT STACK
4	7351001	4	SPACER, INC WT STACK
5	7328705	2	SPACER, INC WT STACK 12 PLATE
6	7337901	2	BUSHING, GUIDE ROD

P-Stack Head Plate Assy



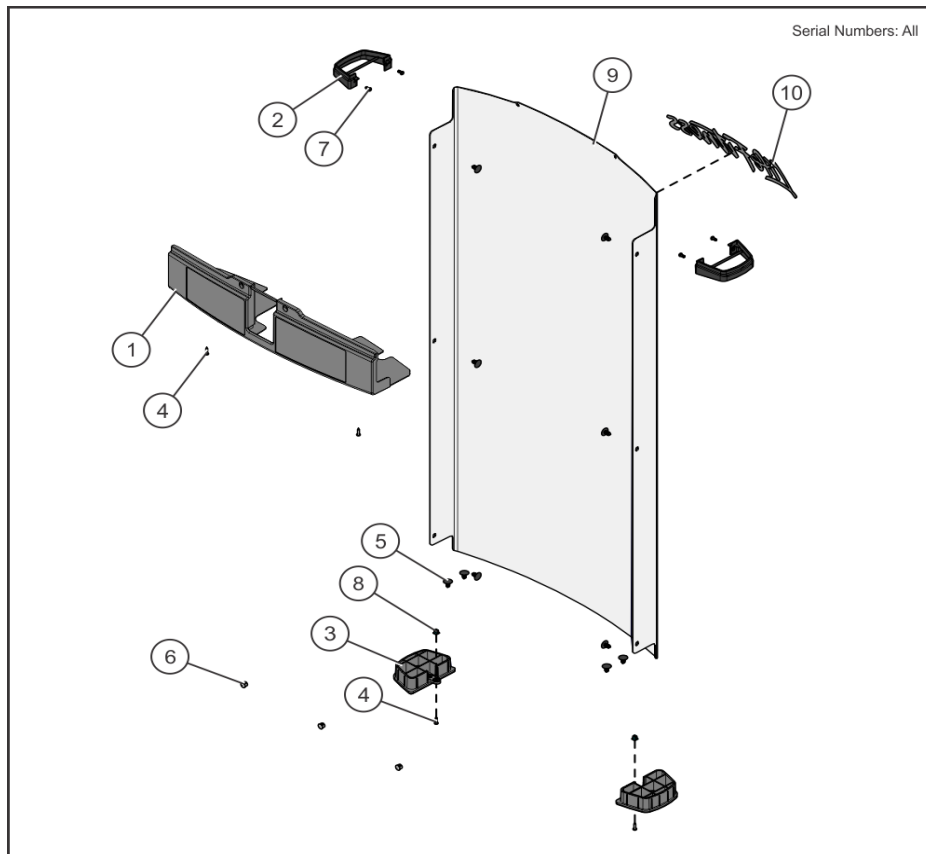
Ref #	Part Number	Qty	Description
1	1003679-0003	1	ASSY, WGT STK SEL PIN -YEL
2	1006751-0001	1	CAP: 3.75 KG INC WEIGHT - KG
3	1006750-0001	1	CAP, 7.5 LB INC WEIGHT - LBS
4	9434201	1	BAYONET, 10 PLATE
5	3236202	4	M10 X 1.5 X 25 SHCS, LOW HEAD
6	1017210-0001	1	HOUSHING: 7.5LB INC WEIGHT
7	1008675-0001	1	HANDLE: 7.5LB INC WT, PLASTIC
8	1006707-0001	1	DIE CUT: 7.5LB INC WEIGHT, NYLON SHEET, 0.020"
9	9296001	2	BUSHING, HEADPLATE, LONG
10	3236001	1	BUSHING, SPRING PIN
11	9427401	1	HEADPLATE, WT. STACK, 10LB

P-Stack Increment Weight



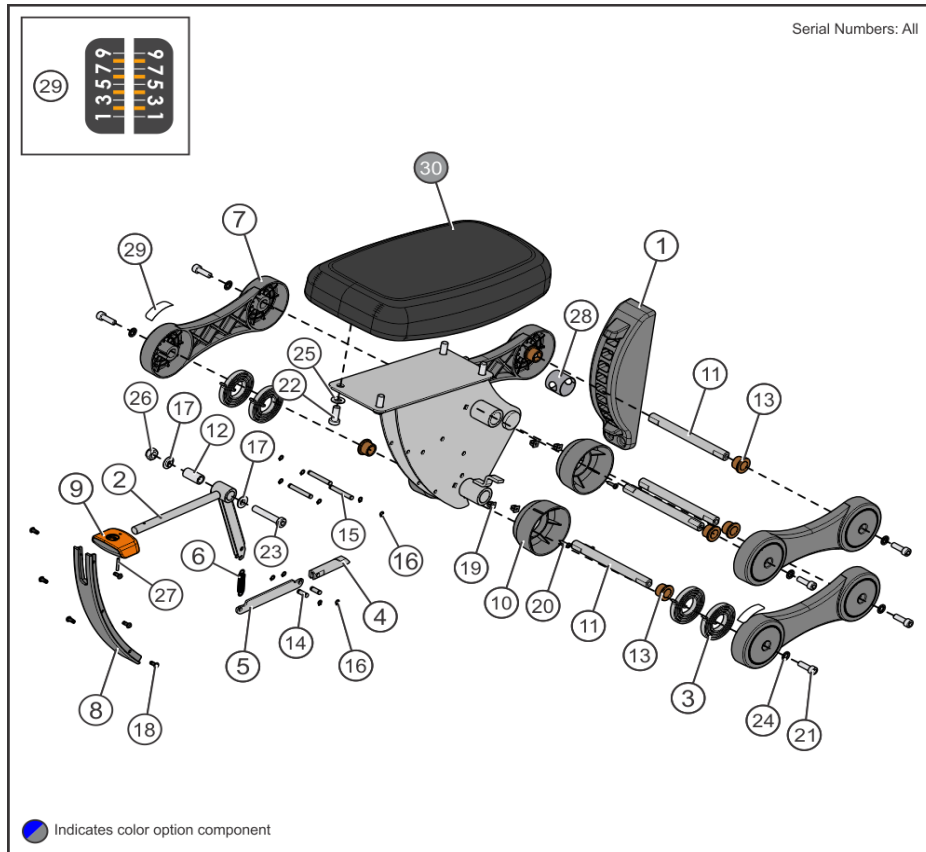
Ref #	Part Number	Qty	Description
1	1008552-0001	1	BUMPER: EA FOAM, INC WEIGHT
2	1008566-0001	1	GUARD: INCREMENT WEIGHT, 0.375
3	1008366-0028	1	PLATE: INCREMENT WEIGHT, 7.5LB - CHR
4	1010805-0001	4	GUIDE ROD ASSY: INCR WT, 3/8", CHARCOAL GRAY
5	3236201	1	M10 X 1.5 X 20 SHCS, LOW HEAD
6	3236601	1	WASHER, 3/8 SAE STAINLESS STEEL
7	3102506	2	WASHER, FLAT 1/4 ID ZN
8	3102806	2	NUT, NYLOCK 1/4-20
9	1008192-0002	2	GUIDE ROD: 0.25 OD SOLID, 54.75"
10	1018167-2801	1	WLDMT: BRACKET, INC WEIGHT SPACER, 1" -CHR

Rear Shroud



Ref #	Part Number	Qty	Description
1	1018509-0001	1	ASSY: TOP TRIM, PLACARD MNT
2	9415801	2	GASKET, TRAP TUBE
3	9412701	2	ASSY, TRAP TUBE, CAP -BTM
4	3275801	2	SCREW, 8 X 3/4 DIN PHL PAN AB ST ZB
5	1006620-0001	10	RETAINER: PANEL, 9/32 X 1/2 NYL
6	3237405	3	PLUG, 7/16 IN HOLE
7	0017-00101-1587	4	RVT 201X0413X.354 T NY NO
8	0017-00042-1147	2	GROMMET: SCREW, 8 OR 10
9	1009335-0001	1	SHROUD: REAR, W/LOGO, STD
10	1008491-0001	1	LABEL, LIFE FITNESS, 16IN

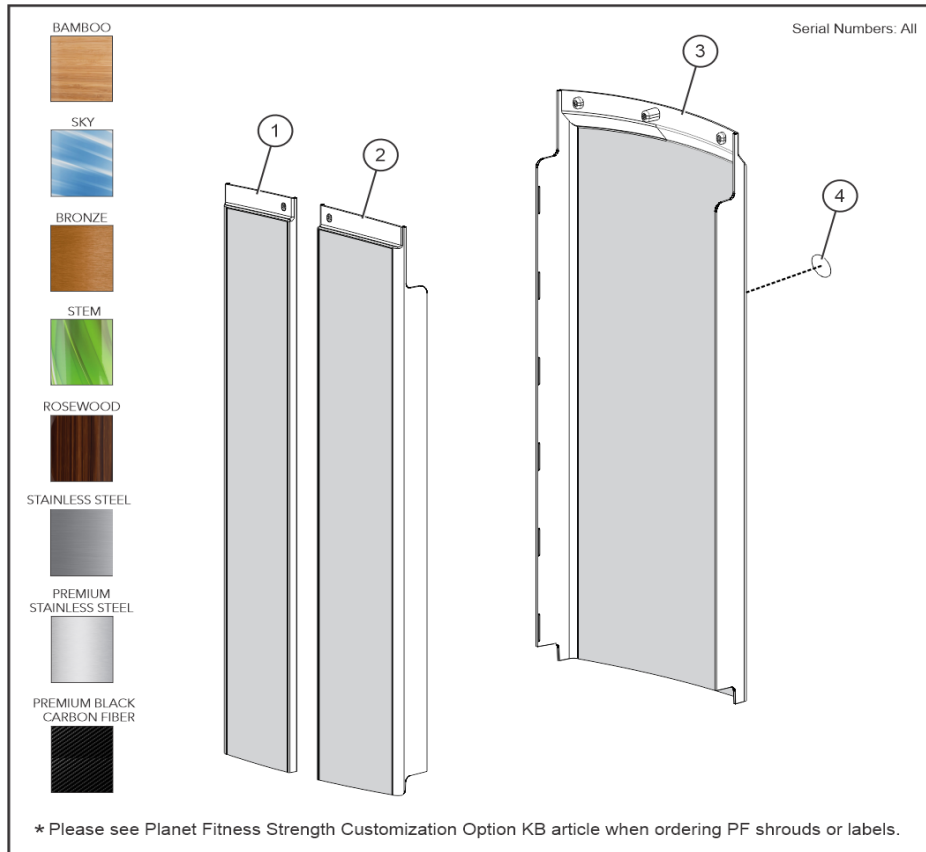
Seat Assembly



Ref #	Part Number	Qty	Description
1	1000144-0001	1	ADJUST BRKT, SS RF SEAT
2	9402028	1	WLDMT, SS-FLY SEAT HANDLE, CHR
3	9365401	2	SPRING, SPIRAL TORSION
4	9401101	1	PULLPIN, SS-SEAT
5	9401001	1	PLATE, SS-SEAT HANDLE CONNECT
6	3239201	1	SPRING, EXT, .375 X .049 X 2.0
7	9365228	1	SEAT LINK, CAST -CHR
8	9402201	1	GUARD, SS-SEAT, CHR
9	9402503	1	HANDLE, SS-SEAT - YEL
10	9402801	4	ADJUST RING, SS-SEAT, CHR
11	9448401	4	SHAFT, SS-SEAT, 15MM
12	7776501	1	SHAFT, .625 X .406 X 1.200
13	3275004	8	BEARING, FLANGE, METRIC 15MM
14	7407501	2	PIN, LINK X .520
15	9541701	3	PIN, LINK
16	3232401	10	RNG, BRE .230,5100-25, ST,PP,B
17	7776401	2	SPACER, FLANGE .406 X .495 X .81
18	0017-00101-1587	6	RVT 201X0413X.354 T NY NO
19	0017-00042-1147	8	GROMMET: SCREW, 8 OR 10
20	3275801	8	SCREW, 8 X 3/4 DIN PHL PAN AB ST ZB
21	3276202	8	SCREW, SHCS M8 X 1.25 X "L"
22	3236201	4	M10 X 1.5 X 20 SHCS, LOW HEAD

Ref #	Part Number	Qty	Description
23	3236208	1	M10 X 1.5 X 55 SHCS, LOW HEAD
24	3239502	8	WSH, 326-.602-031 IN-D ST ZN
25	3236601	4	WASHER,3/8 SAE STAINLESS STEEL
26	3236801	1	NUT, NYLOCK M10 X 1.5 SS
27	3110010	1	ROLL PIN, 1/8 X DIA X 7/8
28	9485701	1	PAINT GUARD, PIN HOUSING
29	9480801	1	LABEL; SEAT POSITION, SMALL
30	1000019-0199	1	PAD, 15 X 9 RECTANGULAR CUS, DBL STITCH- Custom
30	1000019-0099	1	PAD, 15 X 9 RECTANGULAR CUS, SNGL STITCH- Custom

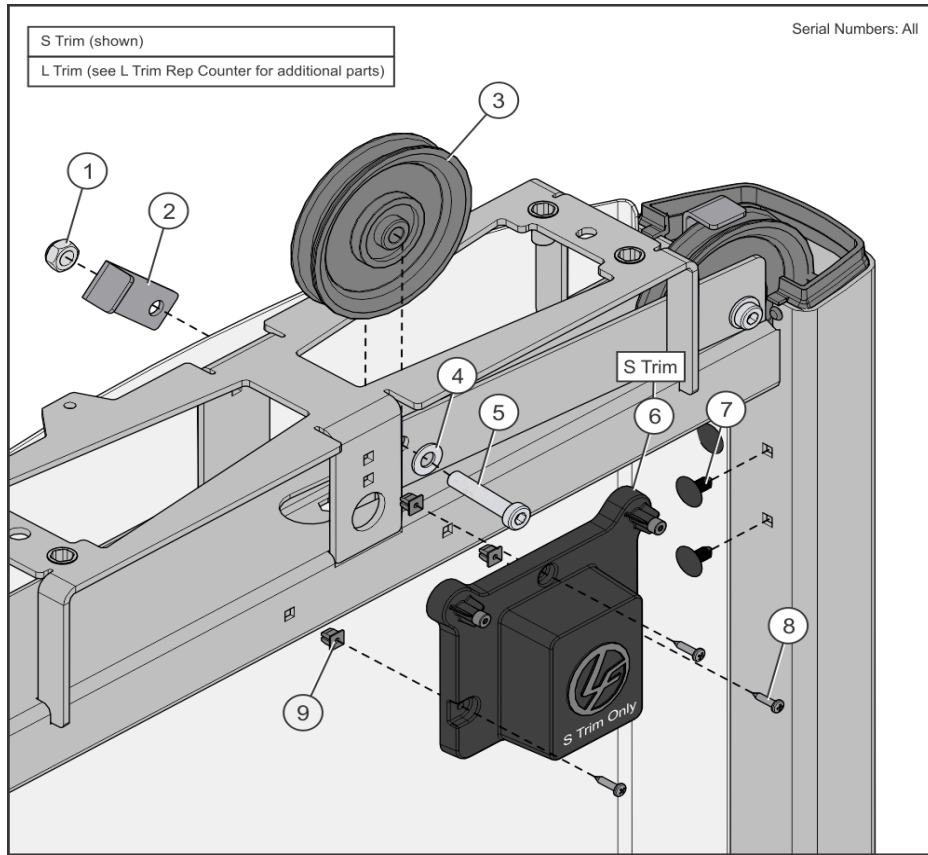
Shroud Wraps



Ref #	Part Number	Qty	Description
1	1003204-0009	1	SHROUD, SS, FNT, LT, SRT, ABS-PBCF
1	1003204-0008	1	SHROUD, SS, FNT, LT, SRT, ABS-PSS
1	1003204-0007	1	SHROUD, SS, FNT, LT, SRT, ABS-SS
1	1003204-0006	1	SHROUD, SS, FNT, LT, SRT, ABS-RSW
1	1003204-0005	1	SHROUD, SS, FNT, LT, SRT, ABS-STM
1	1003204-0004	1	SHROUD, SS, FNT, LT, SRT, ABS-BRZ
1	1003204-0003	1	SHROUD, SS, FNT, LT, SRT, ABS-SKY
1	1003204-0002	1	SHROUD, SS, FNT, LT, SRT, ABS-BAM
2	1003203-0002	1	SHROUD, SS, FNT, RT, SRT, ABS-BAM
2	1003203-0009	1	SHROUD, SS, FNT, RT, SRT, ABS-PBCF
2	1003203-0008	1	SHROUD, SS, FNT, RT, SRT, ABS-PSS
2	1003203-0007	1	SHROUD, SS, FNT, RT, SRT, ABS-SS
2	1003203-0006	1	SHROUD, SS, FNT, RT, SRT, ABS-RSW
2	1003203-0005	1	SHROUD, SS, FNT, RT, SRT, ABS-STM
2	1003203-0004	1	SHROUD, SS, FNT, RT, SRT, ABS-BRZ
2	1003203-0003	1	SHROUD, SS, FNT, RT, SRT, ABS-SKY
3	1003205-0009	1	SHROUD, SS, REAR, SRT, ABS-PBCF
3	1003205-0002	1	SHROUD, SS, REAR, SRT, ABS-BAM
3	1003205-0003	1	SHROUD, SS, REAR, SRT, ABS-SKY
3	1003205-0004	1	SHROUD, SS, REAR, SRT, ABS-BRZ
3	1003205-0005	1	SHROUD, SS, REAR, SRT, ABS-STM
3	1003205-0006	1	SHROUD, SS, REAR, SRT, ABS-RSW

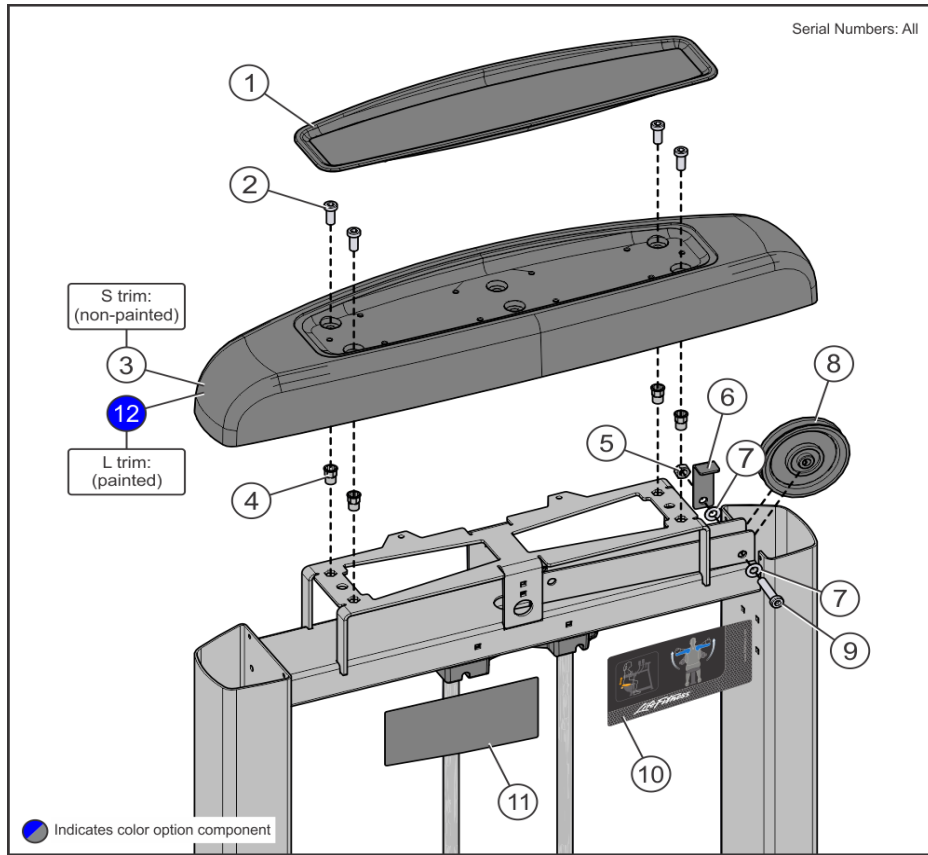
Ref #	Part Number	Qty	Description
3	1003205-0007	1	SHROUD, SS, REAR, SRT, ABS-SS
3	1003205-0008	1	SHROUD, SS, REAR, SRT, ABS-PSS
4	AK58-00245-2401	1	MEDALLION-ASSY: BUG, LIFE FITNESS, CHARCOAL GRAY

S and L Trim Tower Top



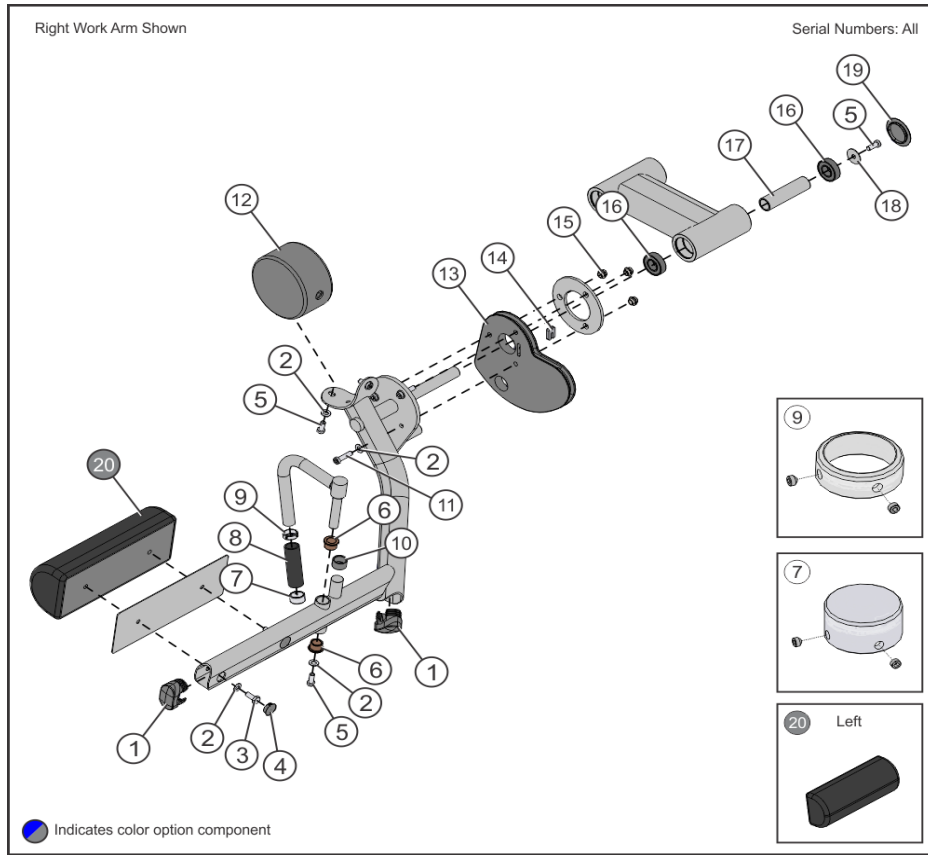
Ref #	Part Number	Qty	Description
1	3236801	1	NUT, NYLOCK M10 X 1.5 SS
2	6757701	1	CLIP, CABLE 2-7/8 X 1 X 1
3	9319901	1	PULLEY, 3/16 IN CABLE (T2), 4.5 IN OD
4	3236601	1	WASHER, 3/8 SAE STAINLESS STEEL
5	3236207	1	M10 X 1.5 X 50 SHCS, LOW HEAD
6	1006334-0001	1	ASSY, DUMMY HOUSING
7	1006620-0001	2	RETAINER: PANEL, 9/32 X 1/2 NYL
8	3275801	3	SCREW, 8 X 3/4 DIN PHL PAN AB ST ZB
9	0017-00042-1147	3	GROMMET: SCREW, 8 OR 10

Tower Top



Ref #	Part Number	Qty	Description
1	9411201	1	TRAY, TOWER TOP CAP
2	3236202	4	M10 X 1.5 X 25 SHCS, LOW HEAD
3	9436701	1	CAP, TOWER, TOP, PLASTIC
4	3238601	4	M10X1.5 BLIND THREADED INSERT (HEX)
5	3236801	1	NUT, NYLOCK M10 X 1.5 SS
6	6757701	1	CLIP, CABLE 2-7/8 X 1 X 1
7	3236601	2	WASHER, 3/8 SAE STAINLESS STEEL
8	9319901	1	PULLEY, 3/16 IN CABLE (T2), 4.5 IN OD
9	3236208	1	M10 X 1.5 X 55 SHCS, LOW HEAD
10	9476901	1	LABEL, SS-LR PLACARD, RH
11	9465307	1	Label, SS-LR, LH Japanese
11	9465310	1	Label, SS-LR, LH Russian
11	9465301	1	Label, SS-LR, LH English
11	9465304	1	Label, SS-LR, LH Spanish
11	9465312	1	Label, SS-LR, LH Chinese
12	9412600	1	CAP, SS, CAST Custom

Work Arm



Ref #	Part Number	Qty	Description
1	7333802	2	CAP, SMALL FLOV-END
2	3236601	8	WASHER, 3/8 SAE STAINLESS STEEL
3	3251202	2	M10 X 1.5 X 25MM UNS HEX CS ST ZN
4	3237407	2	PLUG, 1 IN HOLE
5	3236202	4	M10 X 1.5 X 25 SHCS, LOW HEAD
6	3104901	2	BEARING, FLG .75 ID X 1.00 OD
7	7662901	1	CAP; GRIP 1.25 OD
8	3235806	1	GRIP, 1.25 OD X .125 WALL OPEN END
9	7662801	1	RING, GRIP 1.25 OD
10	7690103	1	BUMPER, SLEEVE - 1 INCH DIA
11	3236205	3	M10 X 1.5 X 40 SHCS, LOW HEAD
12	7802002	1	COUNTER WEIGHT, LARGE-COATED
13	9352101	1	CAM, SS-LR
14	9454901	1	PLATE, CABLE END, T2
15	7335401	3	NUT, M10 X 1.5 SOCKET HEAD
16	3235601	2	BEARING, 6205 BALL
17	7330004	1	SPACER, INTERNAL X 4.765
18	3236701	1	WSHR, FENDER 3/8 ID X 1.5 OD SS
19	7308702	1	CAP, BEARING HOUSING
20	1000009-0199	2	PAD, FOREARM, NO BACKER CUS, DBL STITCH-Custom
20	1000009-0099	2	PAD, FOREARM, NO BACKER CUS, SNGL STITCH-

Ref #	Part Number	Qty	Description
			Custom

