

# INSIGNIA SERIES HIP ABDUCTION

SS-HAB

## Parts Manual

11/17/2024 21:04:04 PM

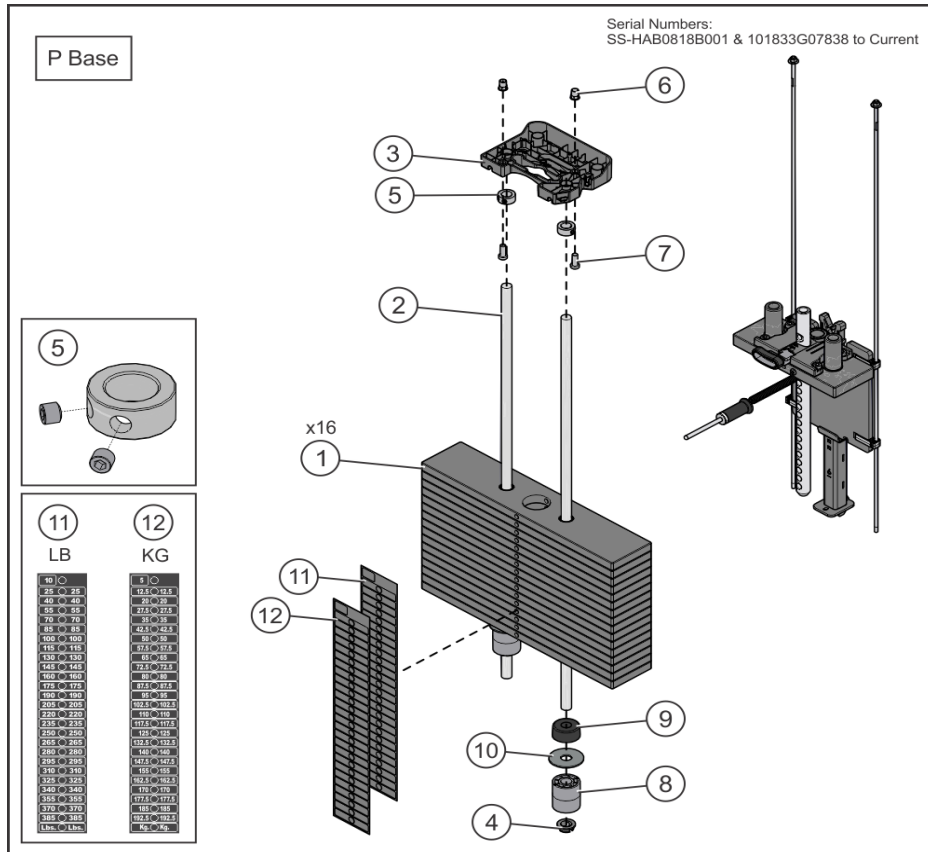


Table of Contents

---

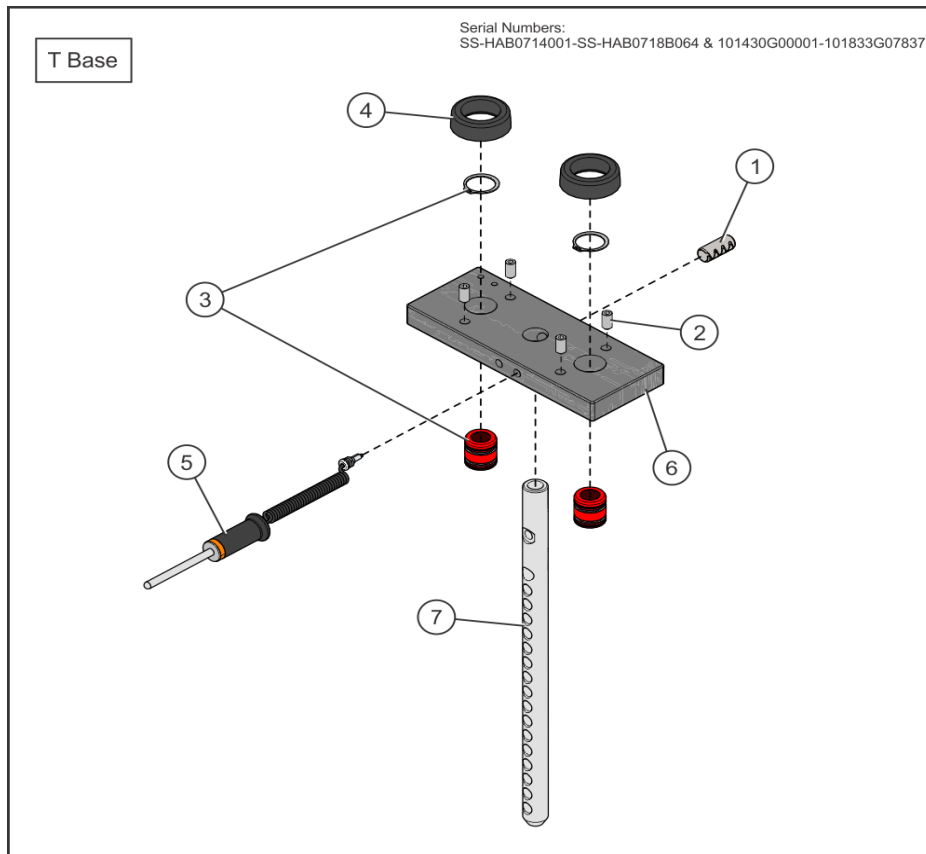
<a href="#">Base P-Stack</a> .....	3
<a href="#">Base T-Stack Head Plate Assy (previous)</a> .....	4
<a href="#">Base T-Stack (previous)</a> .....	5
<a href="#">Cables</a> .....	6
<a href="#">C and X Head Plate</a> .....	7
<a href="#">C and X Increment Weights</a> .....	8
<a href="#">Frame Painted Items</a> .....	9
<a href="#">Full Shroud</a> .....	10
<a href="#">Grips</a> .....	11
<a href="#">Heavy X-Stack</a> .....	12
<a href="#">Heavy X-Stack (previous)</a> .....	13
<a href="#">Light C-Stack</a> .....	14
<a href="#">Light C-Stack (previous)</a> .....	15
<a href="#">L Trim Rep Counter</a> .....	16
<a href="#">Previous C and X Increment Weights</a> .....	17
<a href="#">Previous C and X Increment Weight Assembly</a> .....	18
<a href="#">P-Stack Head Plate Assy</a> .....	19
<a href="#">P-Stack Increment Weight</a> .....	20
<a href="#">Rear Shroud</a> .....	21
<a href="#">Seat Frame</a> .....	22
<a href="#">Shroud Wraps</a> .....	24
<a href="#">S and L Trim Tower Top</a> .....	26
<a href="#">Tower Top</a> .....	27
<a href="#">Workarms</a> .....	28

Base P-Stack



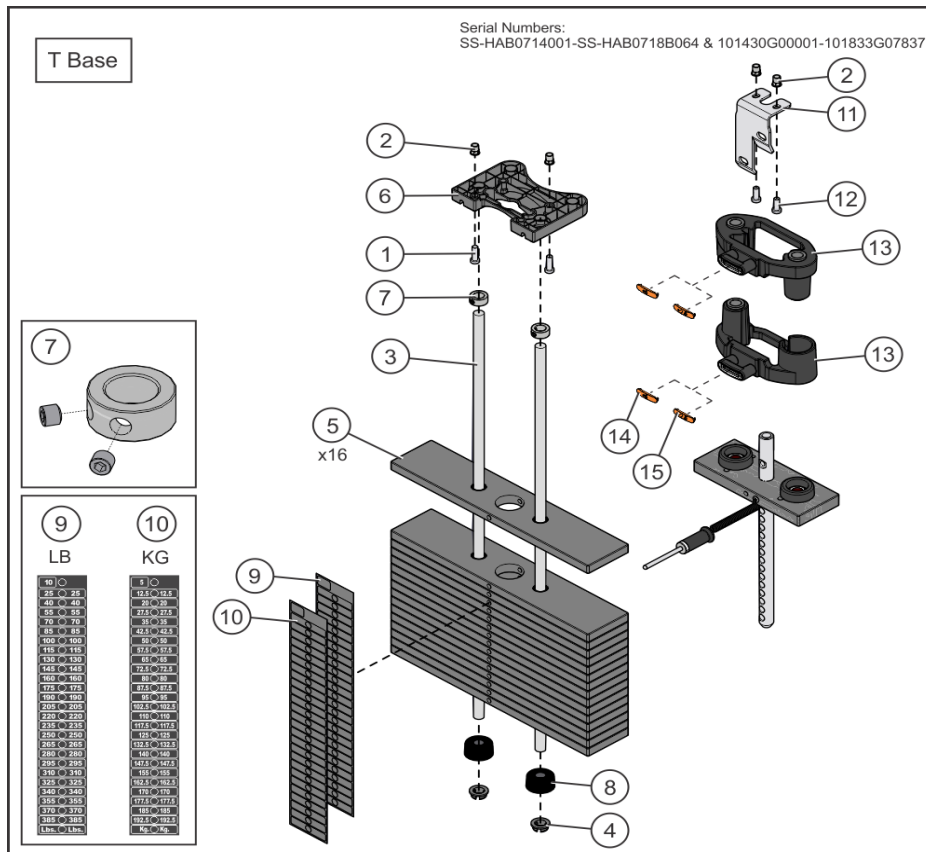
Ref #	Part Number	Qty	Description
1	9407601	16	WGT PL, 3/4IN X 4IN, 15LB
2	7328612	2	GUIDE ROD, .75 OD SOLID X 50.36
3	1015452-0001	1	RETAINER: GUIDE ROD, NYL
4	7337901	2	BUSHING, GUIDE ROD
5	3103301	2	SHAFT COLLAR, 3/4" ID ZINC
6	3238601	2	M10X1.5 BLIND THREADED INSERT (HEX)
7	3236202	2	M10 X 1.5 X 25 SHCS, LOW HEAD
8	1004349-0002	2	SPACER, WGT STK, 3 PL8
9	7352101	2	CUSHION, WEIGHT STACK
10	1010765-0001	2	WASHER: 0.80 OD, 11GA
11	9475101	1	LABEL, 3/4 IN WGT STACK, 385 LB
12	9475401	1	LABEL, 3/4 IN WGT STACK, 192.5 KG

**Base T-Stack Head Plate Assy (previous)**



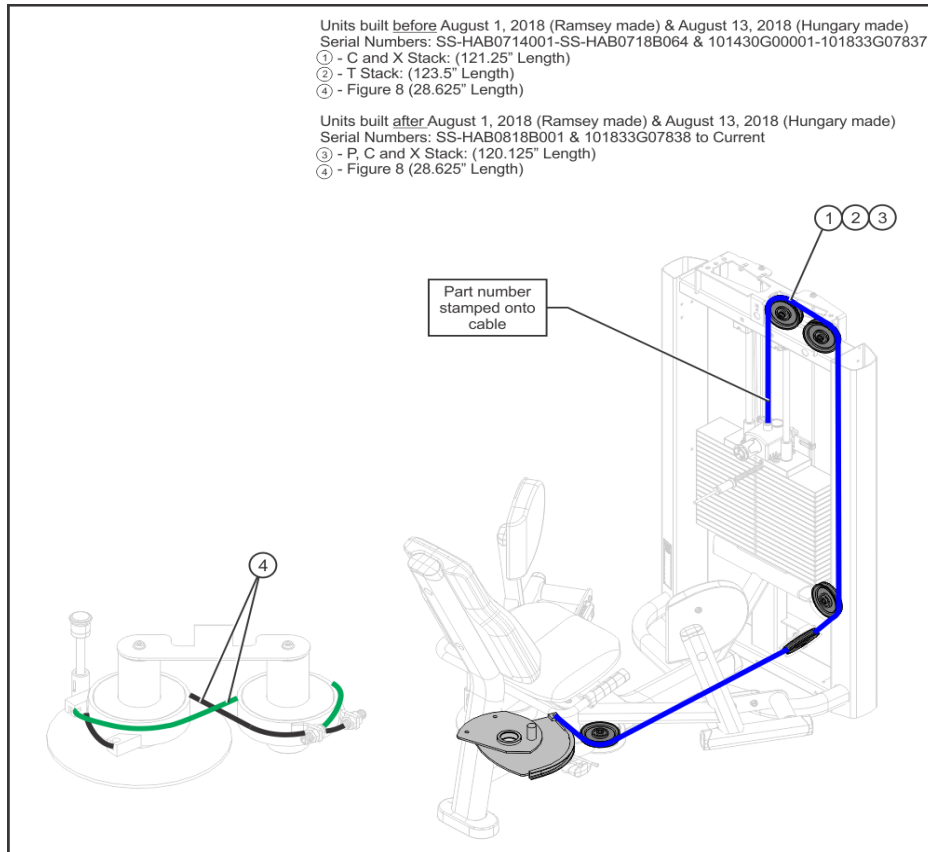
Ref #	Part Number	Qty	Description
1	3236001	1	BUSHING, SPRING PIN
2	3240501	4	M10 X 1.5 X 20 HXS NO CUP ST BO
3	7338001	2	BUSHING, HEADPLATE
4	7767602	2	BUMPER, INCREMENT WT -BLK
5	1003679-0003	1	ASSY, WGT STK SEL PIN -YEL
6	9427401	1	HEADPLATE, WT. STACK, 10LB
7	9434202	1	BAYONET, 16 PLATE

Base T-Stack (previous)



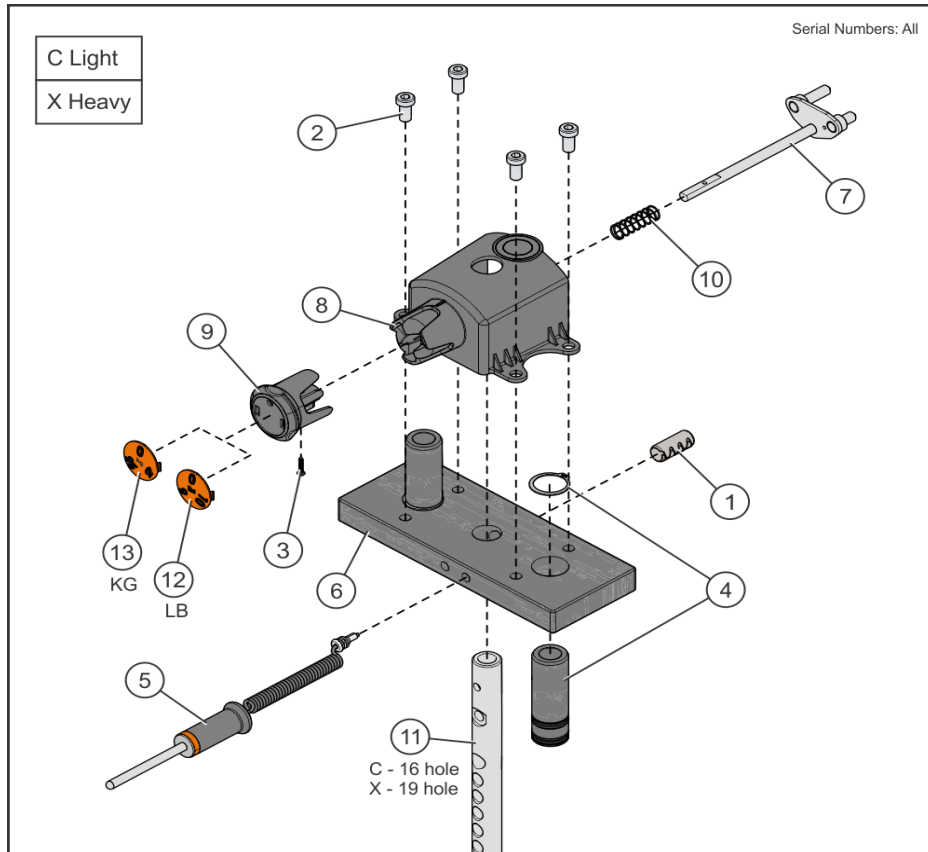
Ref #	Part Number	Qty	Description
1	3236203	2	M10 X 1.5 X 30 SHCS, LOW HEAD
2	3238601	4	M10X1.5 BLIND THREADED INSERT (HEX)
3	7328612	2	GUIDE ROD, .75 OD SOLID X 50.36
4	7337901	4	BUSHING, GUIDE ROD
5	9407601	16	WGT PL, 3/4IN X 4IN, 15LB
6	1015452-0001	1	RETAINER: GUIDE ROD, NYL
7	3103301	2	SHAFT COLLAR, 3/4" ID ZINC
8	7352101	2	CUSHION, WEIGHT STACK
9	9475101	1	LABEL, 3/4 IN WGT STACK, 385 LB
10	9475401	1	LABEL, 3/4 IN WGT STACK, 192.5 KG
11	9430801	1	BRKT, INC WGT STRIKER
12	3236202	2	M10 X 1.5 X 25 SHCS, LOW HEAD
13	9455403	2	ASSY, DD INC WGT -YEL
14	9462303	1	CAP, DD INC WGT, YEL -LBS
15	9462403	1	CAP, DD INC WGT, YEL -KG

**Cables**



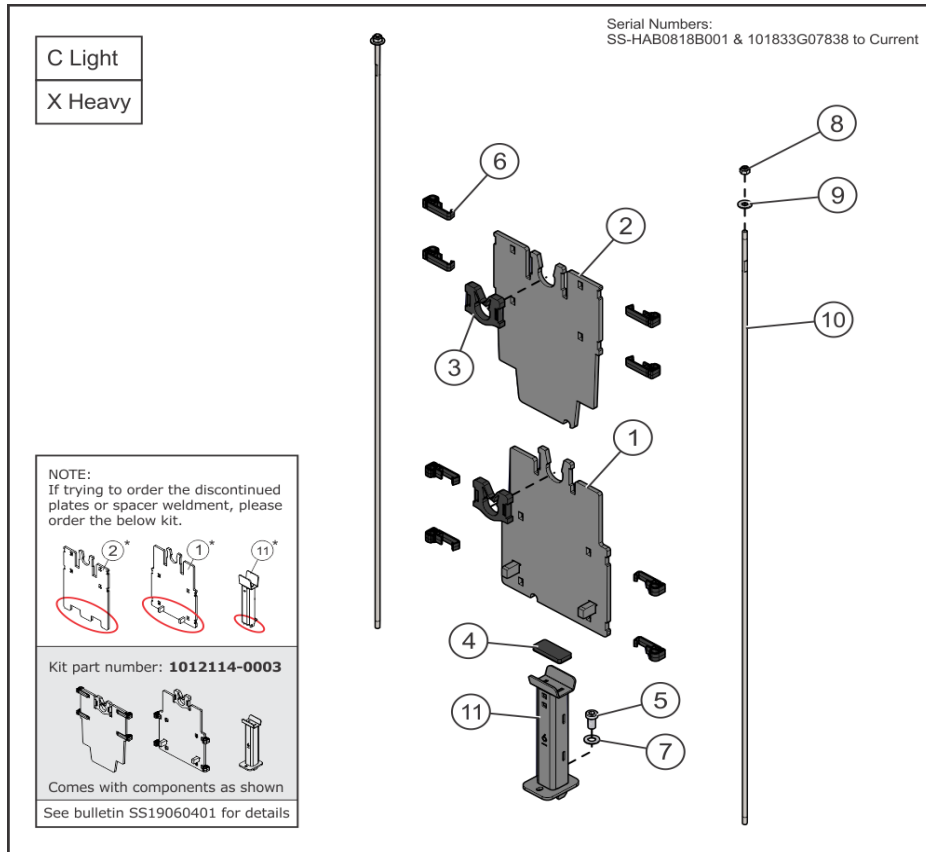
Ref #	Part Number	Qty	Description
1	9423906	1	CABLE, SS-HAB, DIAL
2	9423905	1	CABLE, SS-HAB, DROP
3	9423924	1	CABLE, SS-HAB DIAL, V 2.0
4	9498901	2	CABLE, SS-HAB/HAD, FIGURE8

C and X Head Plate



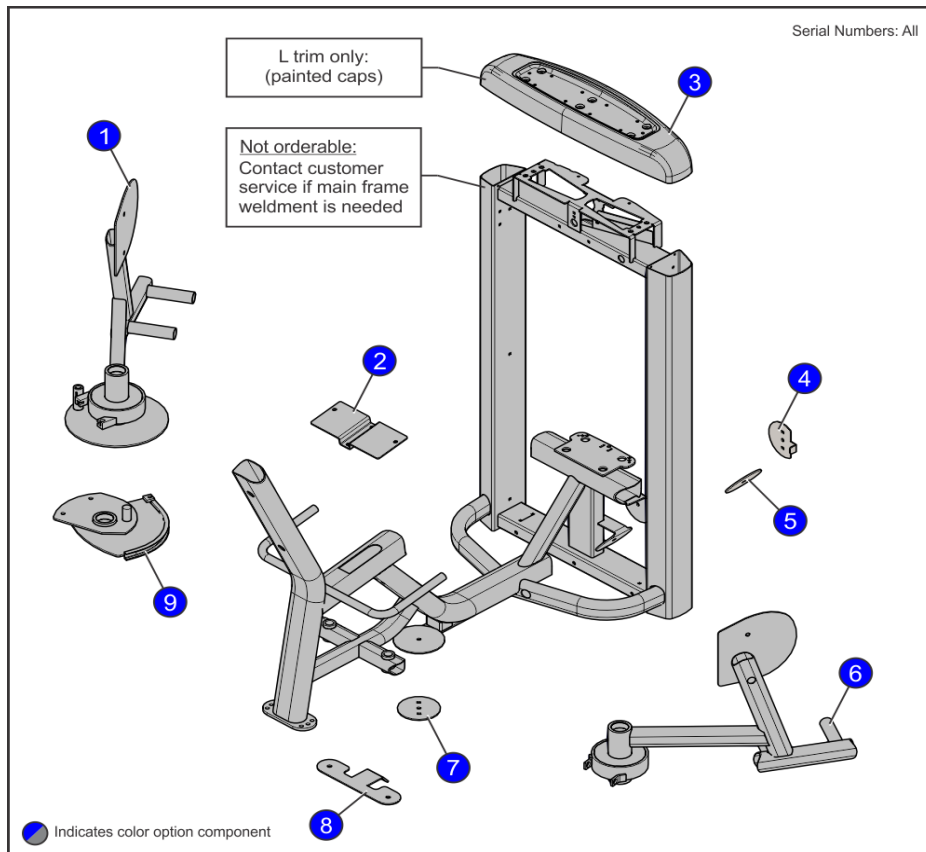
Ref #	Part Number	Qty	Description
1	3236001	1	BUSHING, SPRING PIN
2	3236201	4	M10 X 1.5 X 20 SHCS, LOW HEAD
3	3275601	1	SCREW, 6 X 3/4 DIN PHL PAN AB ST ZB
4	9296001	2	BUSHING, HEADPLATE, LONG
5	1003679-0003	1	ASSY, WGT STK SEL PIN -YEL
6	9427401	1	HEADPLATE, WT. STACK, 10LB
7	1010800-0001	1	WLDMT, INC WGT PIN
8	1017209-0001	1	HOUSING: INC WEIGHT
9	9443201	1	KNOB, INC WEIGHT
10	9443301	1	SPRING, INC WGT PIN
11	9434202	1	BAYONET, 16 PLATE
11	9426002	1	BAYONET, 19 PLATE
12	9431403	1	CAP, SELECTOR KNOB -LBS
13	9450103	1	CAP, SELECTOR KNOB -KGS

**C and X Increment Weights**



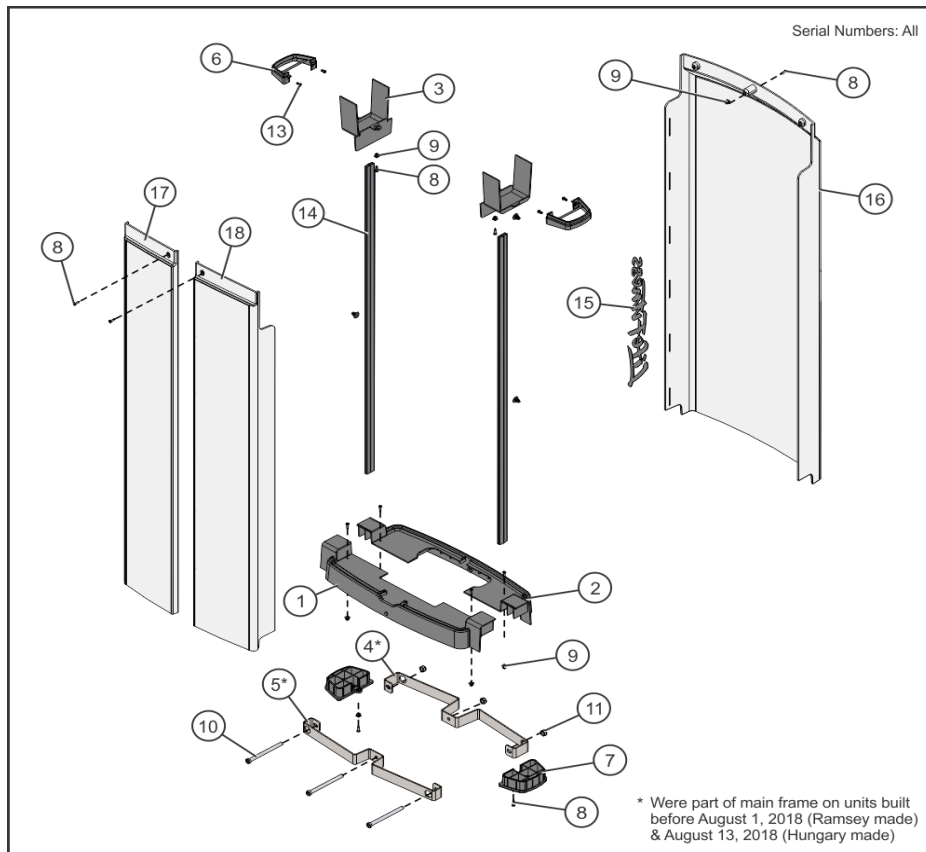
Ref #	Part Number	Qty	Description
1	1010971-2801	1	WLDMT: INC WEIGHT, 5LB, REAR -CHR
2	1010970-2801	1	PLATE: INC WEIGHT, 5LB, FRONT, 1/4" -CHR
3	1008920-0001	2	GUARD: INCREMENT WEIGHT, 0.25
4	1008552-0001	1	BUMPER: EA FOAM, INC WEIGHT
5	3236201	1	M10 X 1.5 X 20 SHCS, LOW HEAD
6	1010803-0001	8	GUIDE ROD ASSY: INCR WT, 1/4", CHARCOAL GRAY
7	3236601	1	WASHER, 3/8 SAE STAINLESS STEEL
8	3102806	2	NUT, NYLOCK 1/4-20
9	3102506	2	WASHER, FLAT 1/4 ID ZN
10	1008192-0002	2	GUIDE ROD: 0.25 OD SOLID, 54.75"
11	1018165-2801	1	WLDMT: BRACKET, INC WEIGHT SPACER, 6" -CHR

Frame Painted Items



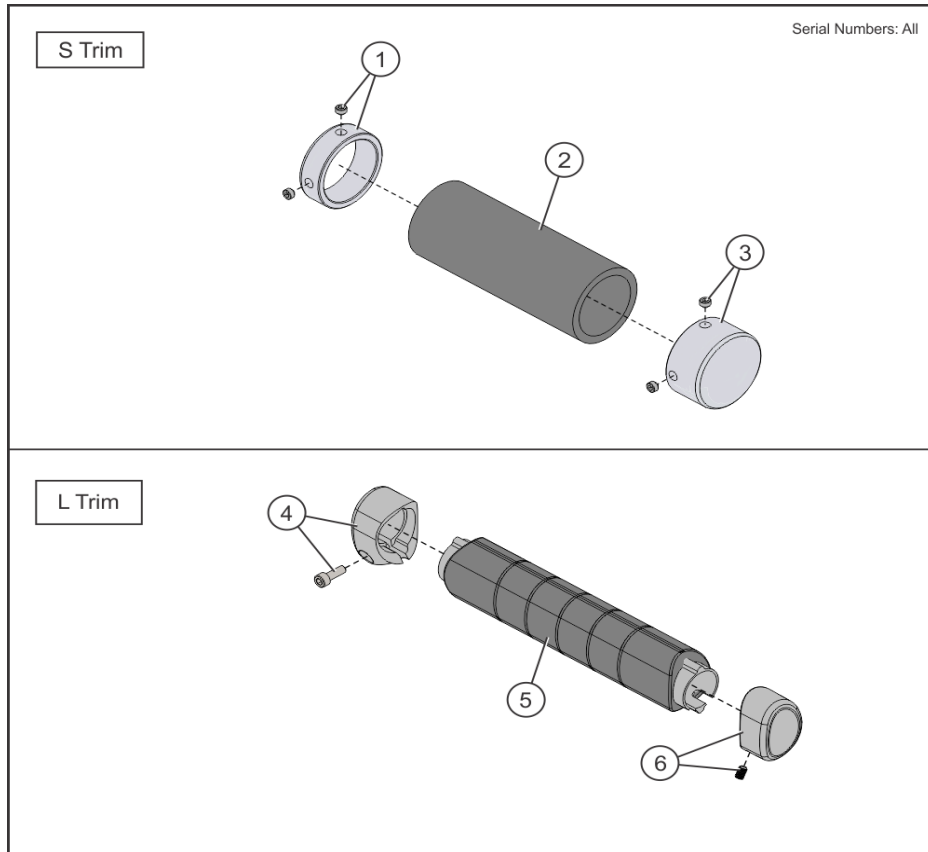
Ref #	Part Number	Qty	Description
1	9441900	1	WLDMT, SS-HAB, PIVOT LEG -LT Custom
2	7593401	1	Bracket FZ Seat
3	9412600	1	CAP, SS, CAST Custom
4	7730901	1	BRKT, COVER/CABLE RETAINER WHITE
5	9343701	1	PLATE, PULLEY- WHITE
6	9441800	1	WLDMT, SS-HAB, PIVOT LEG -RT Custom
7	7318201	1	PLATE, PULLEY
8	9482701	1	BRKT, SS-HAD/HAB
9	9482600	1	WLDMT, SS-HAB, CAM Custom

### Full Shroud



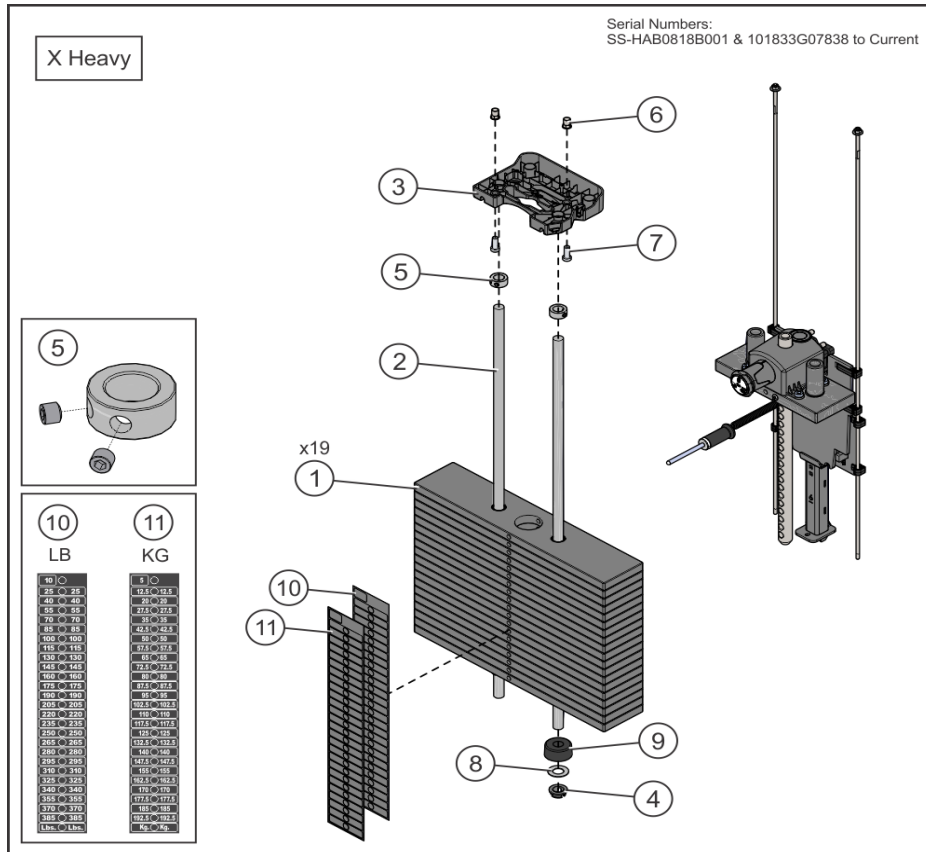
Ref #	Part Number	Qty	Description
1	9410801	1	COVER, TOWER BOTTOM -FRONT
2	1007064-0001	1	COVER: TOWER BOTTOM, REAR
3	9415701	2	COVER, SS, TWR
4	1007623-0001	1	BRACKET: TOWER GUARD, REAR
5	1007622-0001	1	BRACKET: TOWER GUARD, FRONT
6	9415801	2	GASKET, TRAP TUBE
7	9412701	2	ASSY, TRAP TUBE, CAP -BTM
8	3275801	11	SCREW, 8 X 3/4 DIN PHL PAN AB ST ZB
9	0017-00042-1147	9	GROMMET: SCREW, 8 OR 10
10	3236220	3	M10 X 1.5 X 130 SHCS, LOW HEAD
11	3236801	3	NUT, NYLOCK M10 X 1.5 SS
12	1006620-0001	4	RETAINER: PANEL, 9/32 X 1/2 NYL
13	0017-00101-1587	4	RVT 201X0413X.354 T NY NO
14	9414601	2	SHROUD EXTRUSION - SHORT
15	9489101	1	LABEL, LIFE FITNESS, 20IN.
16	9489001	1	SHROUD, SS, REAR, SRT
17	9410601	1	SHROUD, TOWER FRONT, LT - SHORT
18	9410703	1	SHROUD, SS-HAB/HAD, FNT, RT

Grips

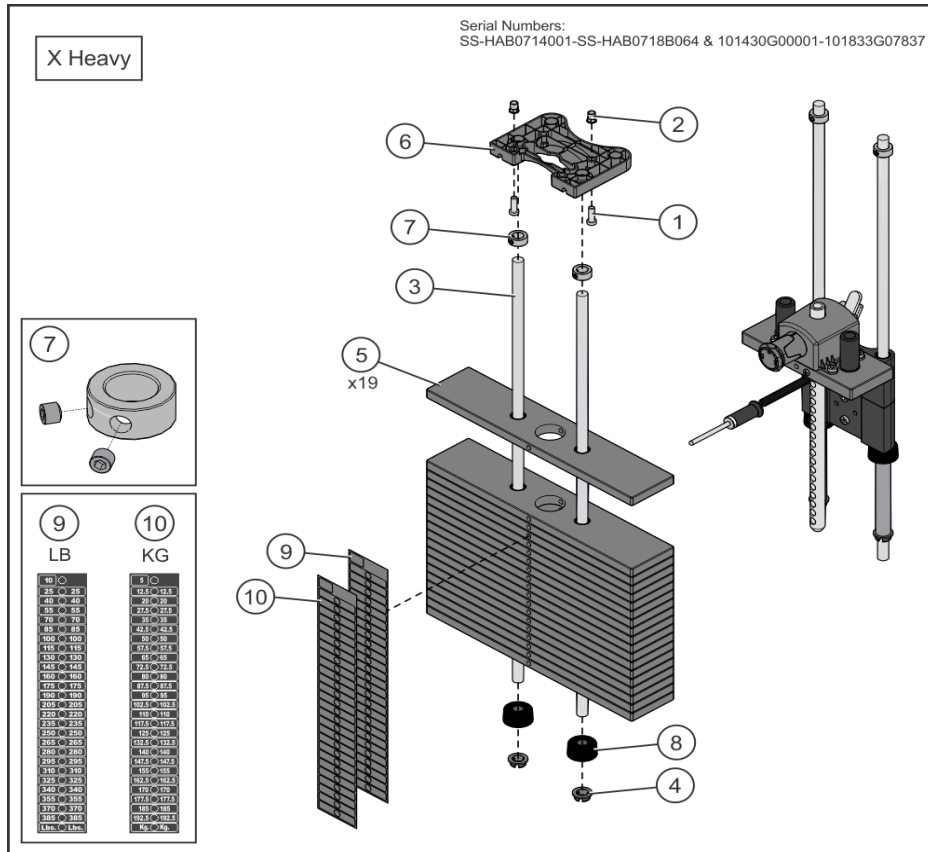


Ref #	Part Number	Qty	Description
1	7662801	1	RING, GRIP 1.25 OD
2	3235806	1	GRIP, 1.25 OD X .125 WALL OPEN END
3	7662901	1	CAP; GRIP 1.25 OD
4	1001760-0001	1	ASSY, COLLAR, ERGO GRIP
5	9453001	1	GRIP, ERGO, OVERMOLD, 6.5
6	1001761-0001	1	ASSY, CAP, GRIP

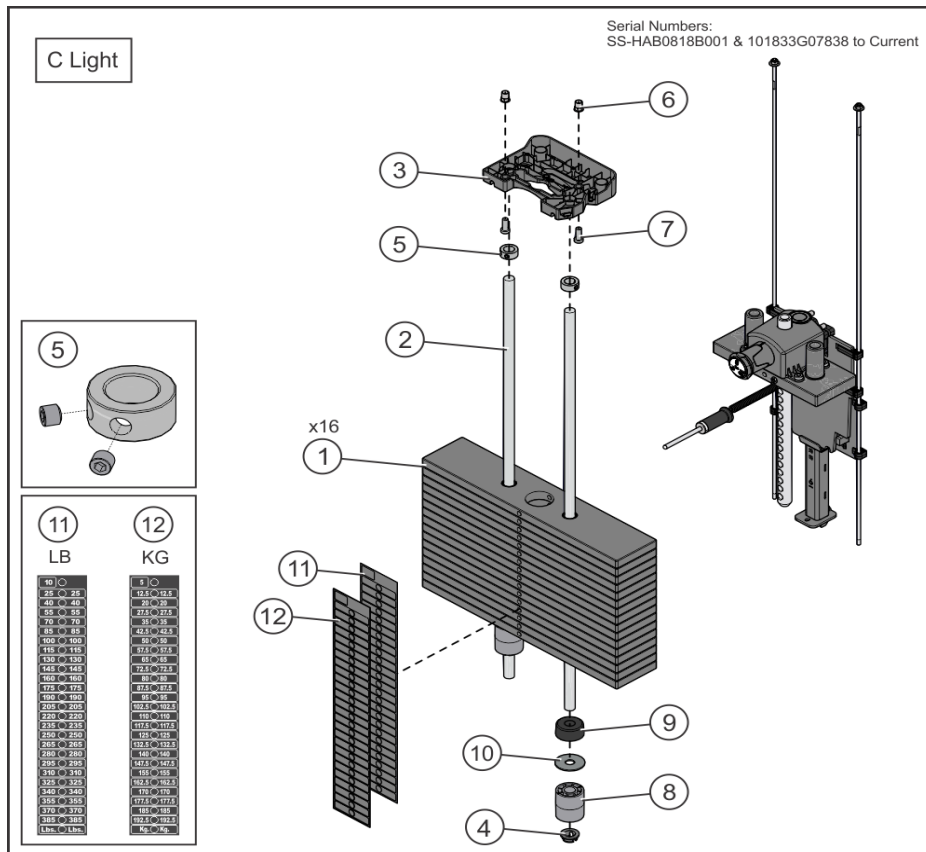
### Heavy X-Stack



Heavy X-Stack (previous)

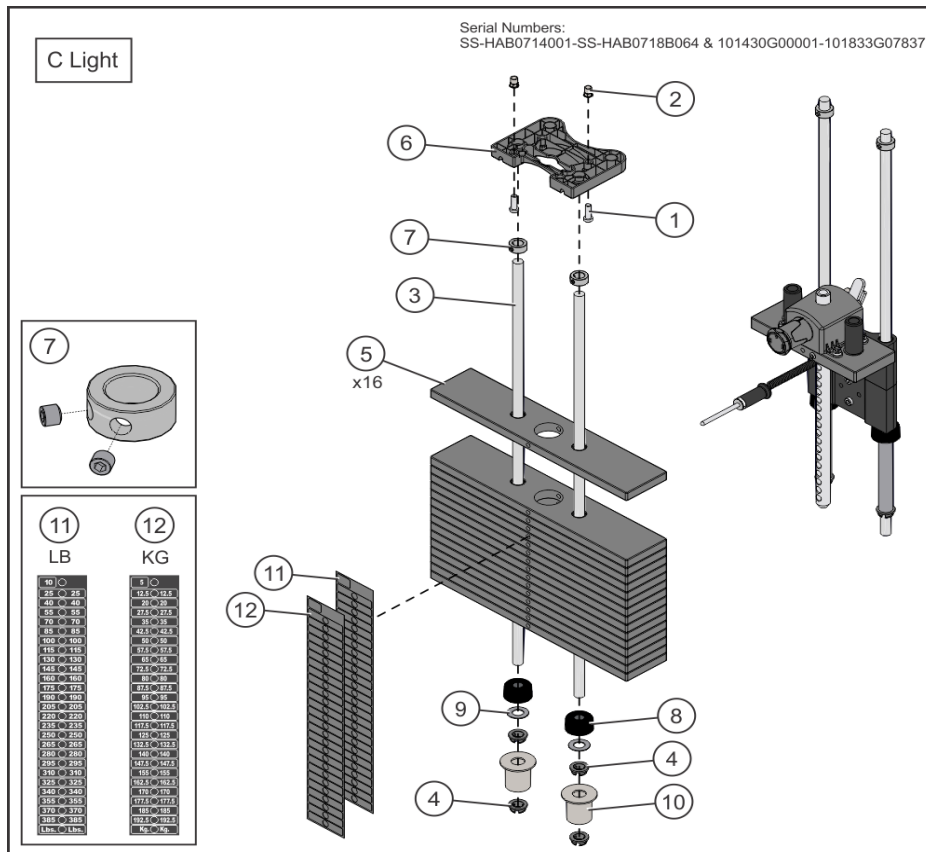


### Light C-Stack



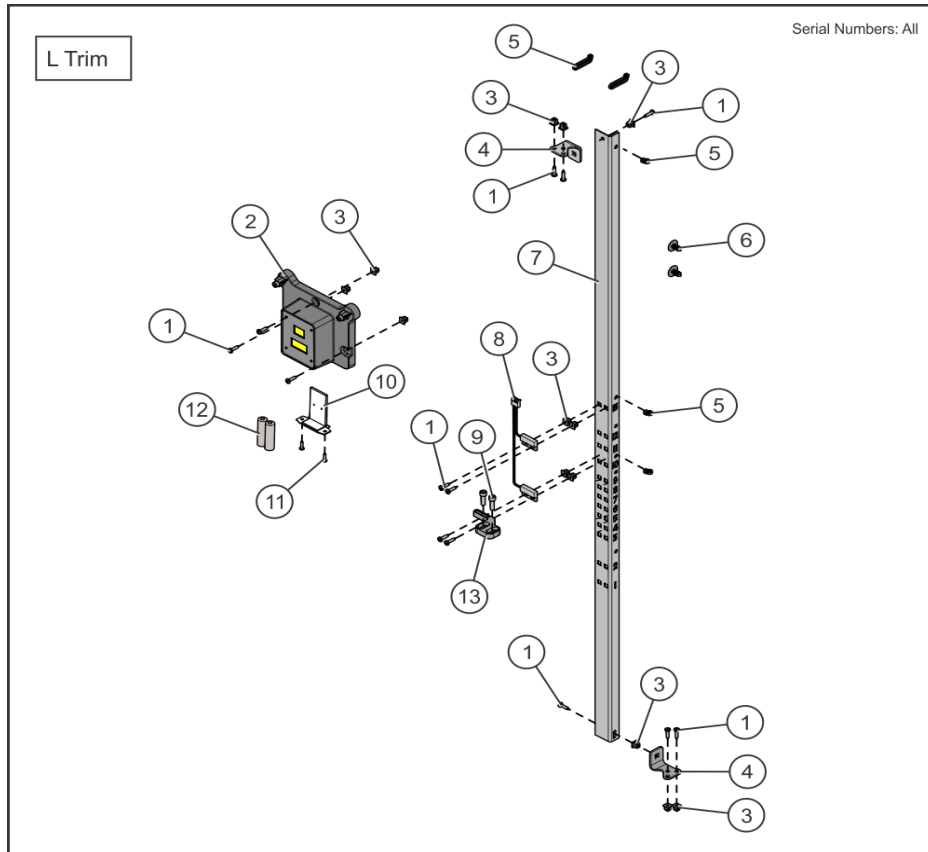
Ref #	Part Number	Qty	Description
1	9407601	16	WGT PL, 3/4IN X 4IN, 15LB
2	7328612	2	GUIDE ROD, .75 OD SOLID X 50.36
3	1015452-0001	1	RETAINER: GUIDE ROD, NYL
4	7337901	2	BUSHING, GUIDE ROD
5	3103301	2	SHAFT COLLAR, 3/4" ID ZINC
6	3238601	2	M10X1.5 BLIND THREADED INSERT (HEX)
7	3236202	2	M10 X 1.5 X 25 SHCS, LOW HEAD
8	1004349-0002	2	SPACER, WGT STK, 3 PL8
9	7352101	2	CUSHION, WEIGHT STACK
10	1010765-0001	2	WASHER: 0.80 OD, 11GA
11	9475101	1	LABEL, 3/4 IN WGT STACK, 385 LB
12	9475401	1	LABEL, 3/4 IN WGT STACK, 192.5 KG

### Light C-Stack (previous)



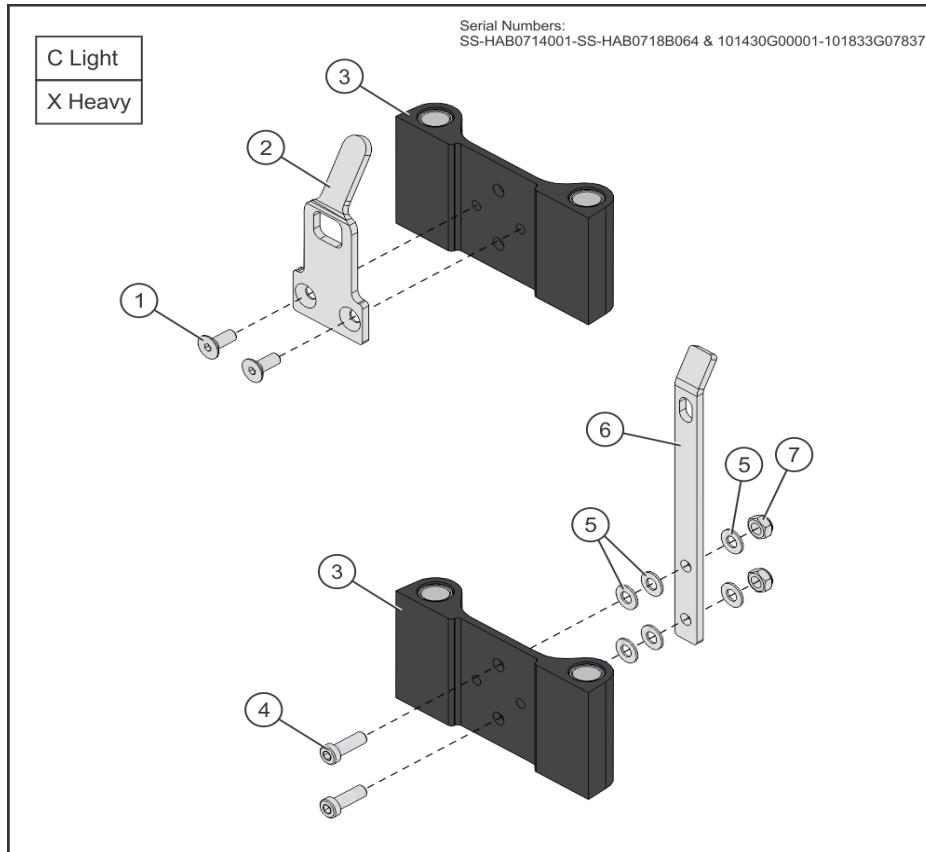
Ref #	Part Number	Qty	Description
1	3236202	2	M10 X 1.5 X 25 SHCS, LOW HEAD
2	3238601	2	M10X1.5 BLIND THREADED INSERT (HEX)
3	7328612	2	GUIDE ROD, .75 OD SOLID X 50.36
4	7337901	4	BUSHING, GUIDE ROD
5	9407601	16	WGT PL, 3/4IN X 4IN, 15LB
6	1015452-0001	1	RETAINER: GUIDE ROD, NYL
7	3103301	2	SHAFT COLLAR, 3/4" ID ZINC
8	7352101	2	CUSHION, WEIGHT STACK
9	7351001	2	SPACER, INC WT STACK
10	9495912	2	WLDMT, WGT STK SPACER X 2.25 -CHR
11	9475101	1	LABEL, 3/4 IN WGT STACK, 385 LB
12	9475401	1	LABEL, 3/4 IN WGT STACK, 192.5 KG

# L Trim Rep Counter



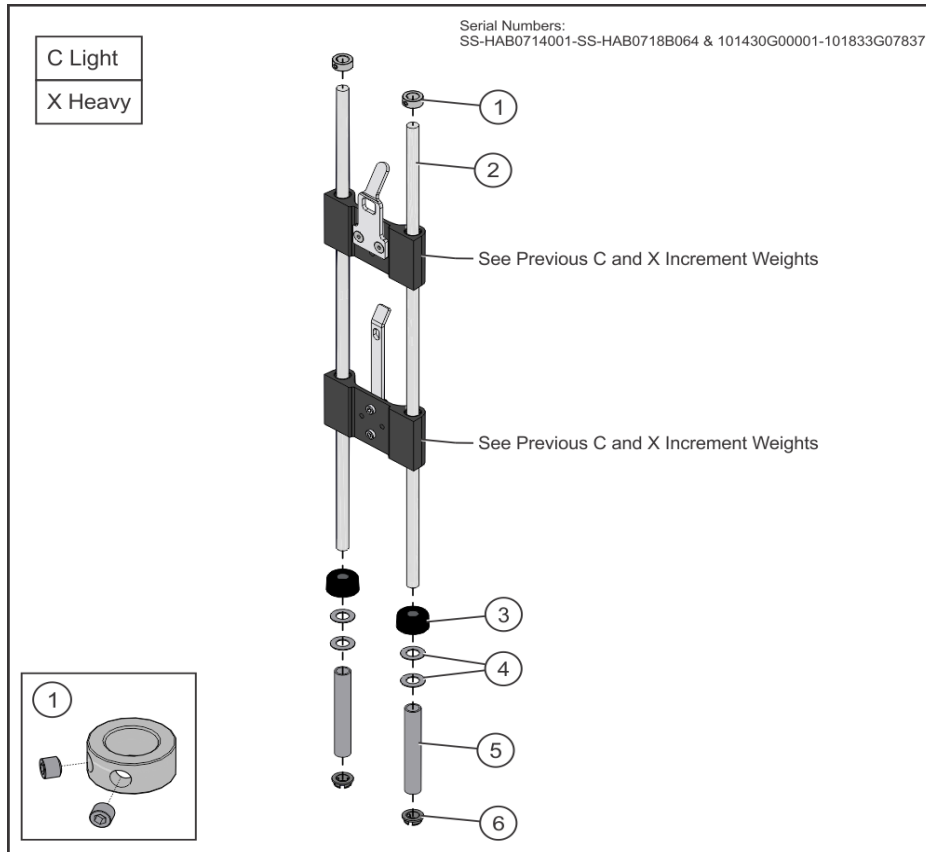
Ref #	Part Number	Qty	Description
1	3275801	13	SCREW, 8 X 3/4 DIN PHL PAN AB ST ZB
2,8	1008199-0001	2	ASSY: REP COUNTER/SWITCH/MAGNET
3	0017-00042-1147	13	GROMMET: SCREW, 8 OR 10
4	1007269-0028	2	BRACKET: RAIL MOUNT, REP CNTR -CHR
5	3276501	5	CABLE TIE 11 IN.
6	1006620-0001	2	RETAINER: PANEL, 9/32 X 1/2 NYL
7	1008003-0028	1	BRACKET: SWITCH MNT, STD -CHR
9	3241701	2	M6 X 1 X 20MM SHCS, STD HEAD
10	9436401	1	DOOR, BATTERY PACK MOUNT
11	3226002	2	6-20 X 7 PHL PAN PLT ST BZ
12	3276401	2	BATTERY, AA
13	1007177-0001	1	ASSY: MAGNET, REP CNTR DCI

Previous C and X Increment Weights



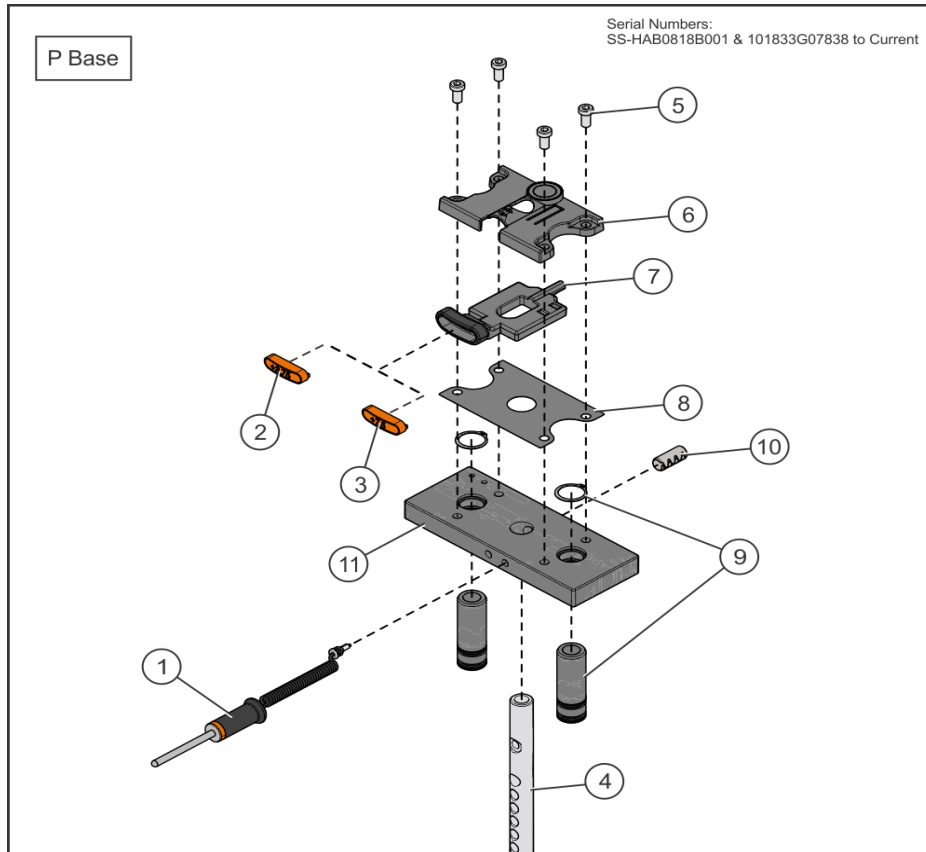
Ref #	Part Number	Qty	Description
1	3238302	2	SCREW, M10 FLTHD X 25MM
2	9428201	1	BRKT, INC WGT -5LB
3	9439701	2	ASSY, INC WGT, SUB
4	3275503	2	SCREW, M10 X 1.5 X 30 SHCS, LOW HEAD -NO PATCH
5	3236601	4	WASHER, 3/8 SAE STAINLESS STEEL
6	1001007-0001	1	BRKT, INC WGT -10LB
7	3236801	2	NUT, NYLOCK M10 X 1.5 SS

Previous C and X Increment Weight Assembly



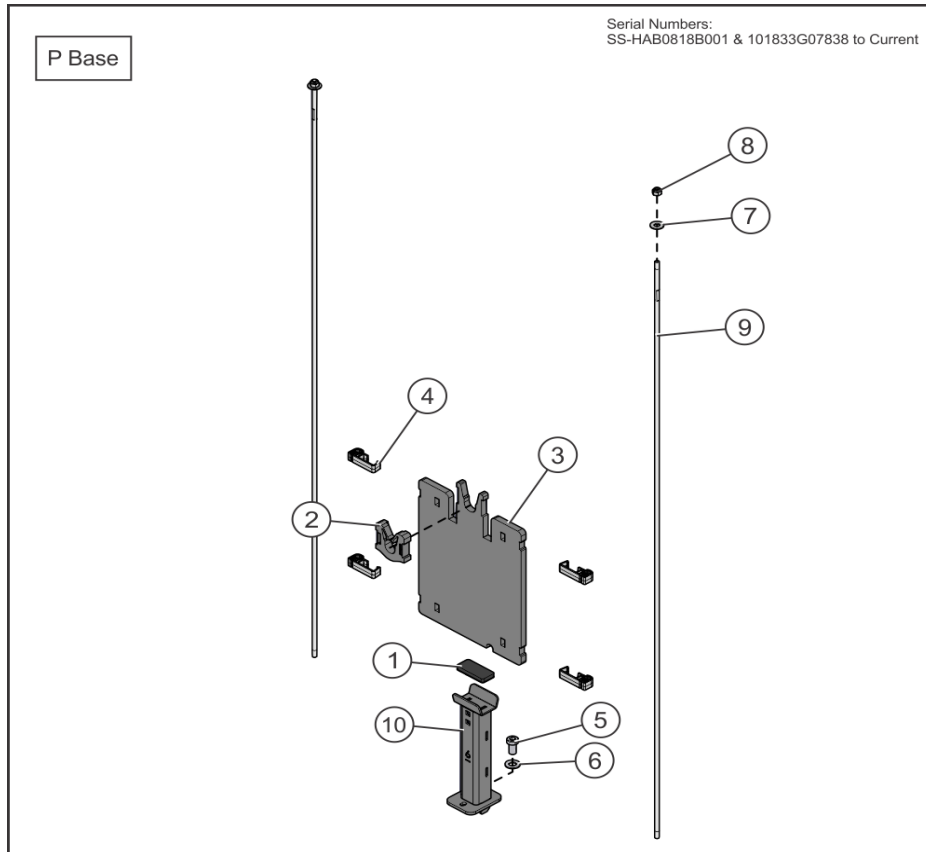
Ref #	Part Number	Qty	Description
1	3103301	2	SHAFT COLLAR, 3/4" ID ZINC
2	7328612	2	GUIDE ROD, .75 OD SOLID X 50.36
3	7352101	2	CUSHION, WEIGHT STACK
4	7351001	4	SPACER, INC WT STACK
5	7328704	2	SPACER, INC WT STACK 19 PLATE
6	7337901	2	BUSHING, GUIDE ROD

**P-Stack Head Plate Assy**



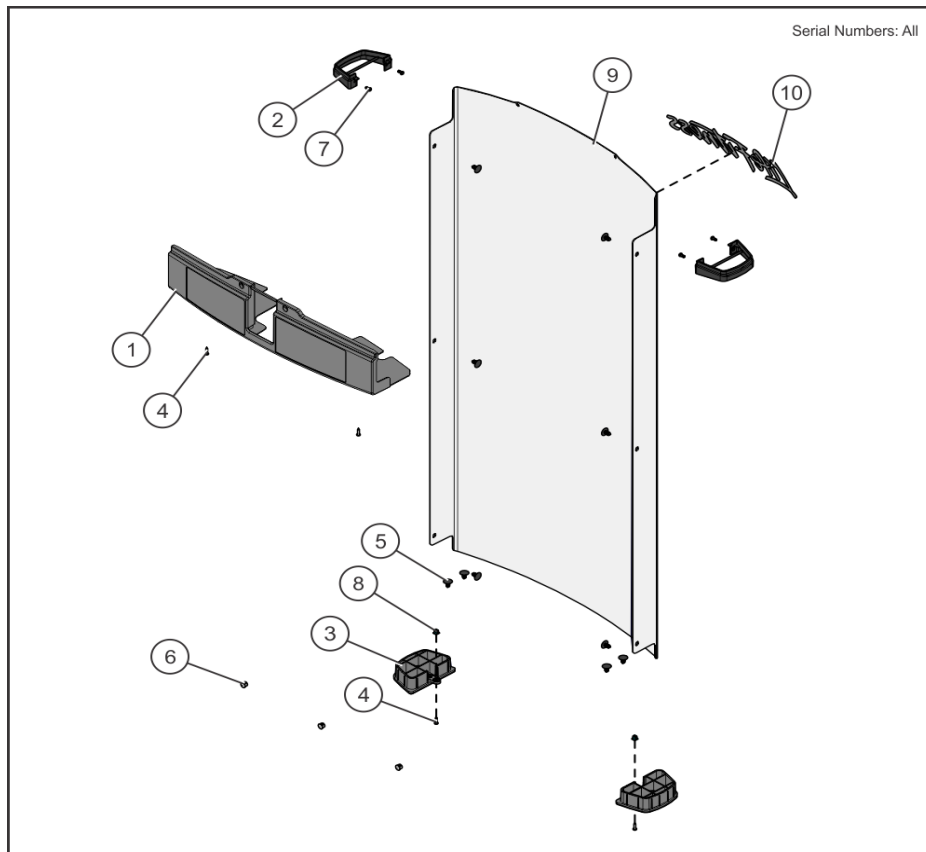
Ref #	Part Number	Qty	Description
1	1003679-0003	1	ASSY, WGT STK SEL PIN -YEL
2	1006751-0001	1	CAP: 3.75 KG INC WEIGHT - KG
3	1006750-0001	1	CAP, 7.5 LB INC WEIGHT - LBS
5	3236202	4	M10 X 1.5 X 25 SHCS, LOW HEAD
6	1017210-0001	1	HOUSHING: 7.5LB INC WEIGHT
7	1008675-0001	1	HANDLE: 7.5LB INC WT, PLASTIC
8	1006707-0001	1	DIE CUT: 7.5LB INC WEIGHT, NYLON SHEET, 0.020"
9	9296001	2	BUSHING, HEADPLATE, LONG
10	3236001	1	BUSHING, SPRING PIN
11	9427401	1	HEADPLATE, WT. STACK, 10LB
12	9434202	1	BAYONET, 16 PLATE

P-Stack Increment Weight



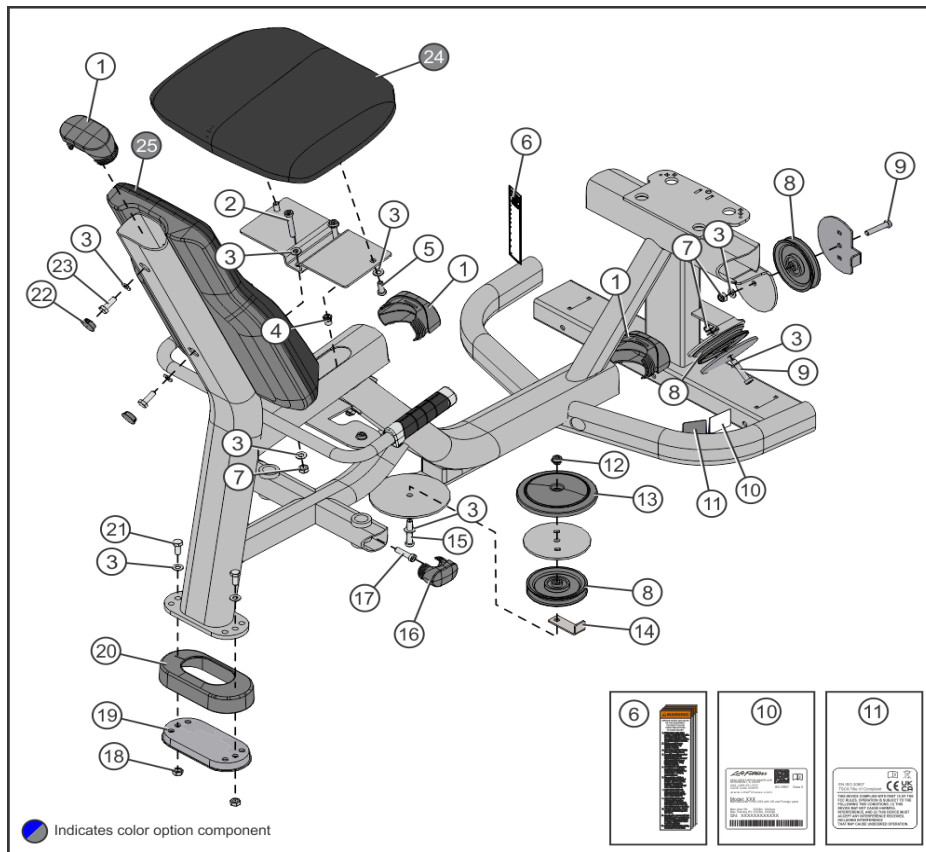
Ref #	Part Number	Qty	Description
1	1008552-0001	1	BUMPER: EA FOAM, INC WEIGHT
2	1008566-0001	1	GUARD: INCREMENT WEIGHT, 0.375
3	1008366-0028	1	PLATE: INCREMENT WEIGHT, 7.5LB - CHR
4	1010805-0001	4	GUIDE ROD ASSY: INCR WT, 3/8", CHARCOAL GRAY
5	3236201	1	M10 X 1.5 X 20 SHCS, LOW HEAD
6	3236601	1	WASHER, 3/8 SAE STAINLESS STEEL
7	3102506	2	WASHER, FLAT 1/4 ID ZN
8	3102806	2	NUT, NYLOCK 1/4-20
9	1008192-0002	2	GUIDE ROD: 0.25 OD SOLID, 54.75"
10	1018165-2801	1	WLDMT: BRACKET, INC WEIGHT SPACER, 6" -CHR

Rear Shroud



Ref #	Part Number	Qty	Description
1	1018509-0001	1	ASSY: TOP TRIM, PLACARD MNT
2	9415801	2	GASKET, TRAP TUBE
3	9412701	2	ASSY, TRAP TUBE, CAP -BTM
4	3275801	2	SCREW, 8 X 3/4 DIN PHL PAN AB ST ZB
5	1006620-0001	10	RETAINER: PANEL, 9/32 X 1/2 NYL
6	3237405	3	PLUG, 7/16 IN HOLE
7	0017-00101-1587	4	RVT 201X0413X.354 T NY NO
8	0017-00042-1147	2	GROMMET: SCREW, 8 OR 10
9	1009335-0001	1	SHROUD: REAR, W/LOGO, STD
10	1008491-0001	1	LABEL, LIFE FITNESS, 16IN

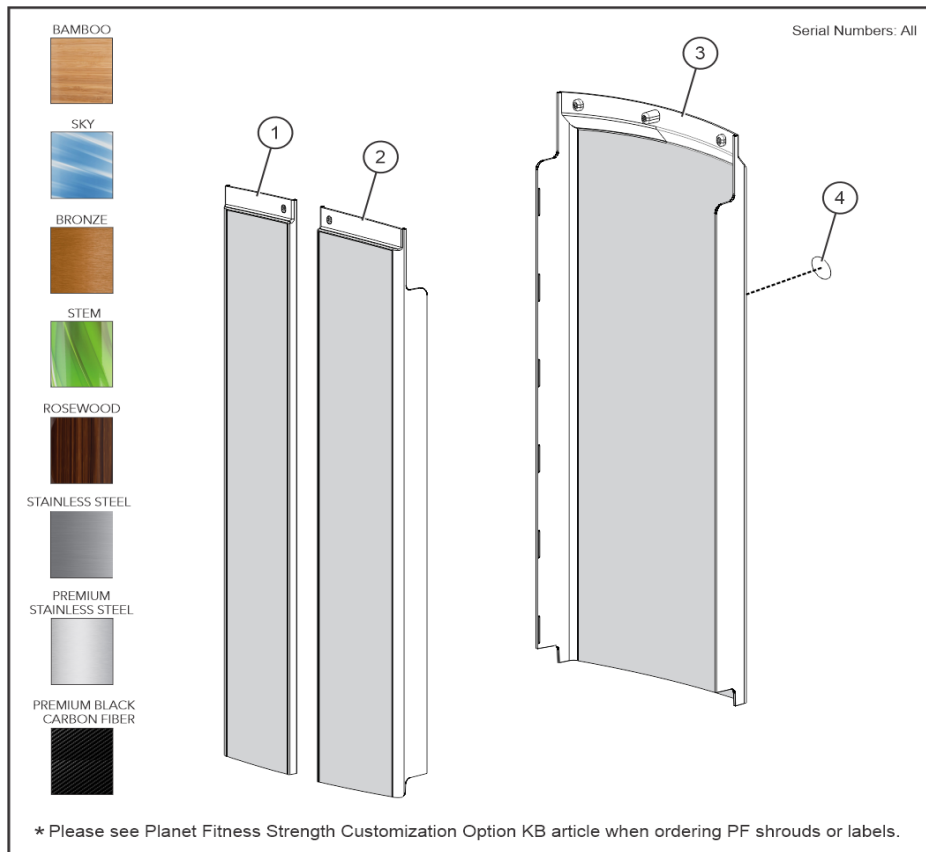
### Seat Frame



Ref #	Part Number	Qty	Description
1	7333902	3	CAP, LARGE FLOV-END; CHGR
2	3236214	2	M10 X 1.5 X 85 SHCS, LOW HEAD
3	3236601	11	WASHER, 3/8 SAE STAINLESS STEEL
4	3238601	1	M10X1.5 BLIND THREADED INSERT (HEX)
5	3236202	2	M10 X 1.5 X 25 SHCS, LOW HEAD
6	8220000	1	LABEL, ASTM WARNING FW SELECT
7	3236801	3	NUT, NYLOCK M10 X 1.5 SS
8	9319901	3	PULLEY, 3/16 IN CABLE (T2), 4.5 IN OD
9	3236207	2	M10 X 1.5 X 50 SHCS, LOW HEAD
10	7571301	1	LABEL, SERIAL NUMBER
11	9488901	1	LABEL, INSIGNIA, FCC
12	7335401	1	NUT, M10 X 1.5 SOCKET HEAD
13	8102902	1	COVER, PULLEY-BOLTED FULL
14	6757701	1	CLIP, CABLE 2-7/8 X 1 X 1
15	3236208	1	M10 X 1.5 X 55 SHCS, LOW HEAD
16	7333802	2	CAP, SMALL FLOV-END
17	3236205	2	M10 X 1.5 X 40 SHCS, LOW HEAD
18	3254703	2	NUT, M10 X 1.5 HEX ZINC
19	9319301	1	FOOT, 2.5 X 4.49 FLOV
20	9461301	1	COVER, FOOT -10 deg
21	3251202	2	M10 X 1.5 X 25MM UNS HEX CS ST ZN
22	3237407	2	PLUG, 1 IN HOLE

Ref #	Part Number	Qty	Description
23	3251203	2	M10 X 1.5 X 30MM UNS HEX CS ST ZN
24	1000000-0099	1	PAD, LARGE CHAIR CUS, SNGL STITCH- Custom
24	1000000-0199	1	PAD, LARGE CHAIR CUS, DBL STITCH- Custom
25	1000018-0099	1	PAD, LARGE BACK CUS, SNGL STITCH- Custom
25	1000018-0199	1	PAD, LARGE BACK CUS, DBL STITCH- Custom

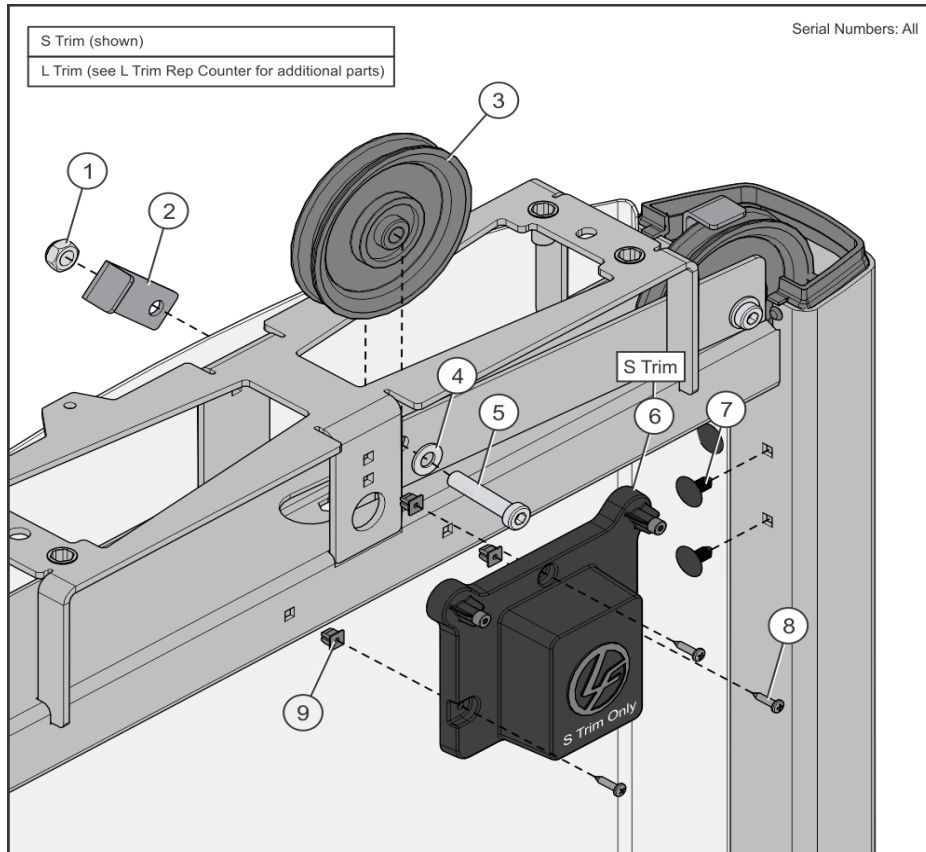
### Shroud Wraps



Ref #	Part Number	Qty	Description
1	1003204-0008	1	SHROUD, SS, FNT, LT, SRT, ABS-PSS
1	1003204-0007	1	SHROUD, SS, FNT, LT, SRT, ABS-SS
1	1003204-0009	1	SHROUD, SS, FNT, LT, SRT, ABS-PBCF
1	1003204-0002	1	SHROUD, SS, FNT, LT, SRT, ABS-BAM
1	1003204-0003	1	SHROUD, SS, FNT, LT, SRT, ABS-SKY
1	1003204-0004	1	SHROUD, SS, FNT, LT, SRT, ABS-BRZ
1	1003204-0005	1	SHROUD, SS, FNT, LT, SRT, ABS-STM
1	1003204-0006	1	SHROUD, SS, FNT, LT, SRT, ABS-RSW
2	9512109	1	SHROUD, SS-HAD/HAB, FNT, RT, SRT-PBCF
2	1003216-0007	1	SHROUD, SS-HAD/HAB, FNT, RT, SRT, ABS-SS
2	9512108	1	SHROUD, SS-HAD/HAB, FNT, RT, SRT-PSS
2	1003216-0006	1	SHROUD, SS-HAD/HAB, FNT, RT, SRT, ABS-RSW
2	1003216-0005	1	SHROUD, SS-HAD/HAB, FNT, RT, SRT, ABS-STM
2	1003216-0004	1	SHROUD, SS-HAD/HAB, FNT, RT, SRT, ABS-BRZ
2	1003216-0003	1	SHROUD, SS-HAD/HAB, FNT, RT, SRT, ABS-SKY
2	1003216-0002	1	SHROUD, SS-HAD/HAB, FNT, RT, SRT, ABS-BAM
3	1003205-0007	1	SHROUD, SS, REAR, SRT, ABS-SS
3	1003205-0008	1	SHROUD, SS, REAR, SRT, ABS-PSS
3	1003205-0009	1	SHROUD, SS, REAR, SRT, ABS-PBCF
3	1003205-0006	1	SHROUD, SS, REAR, SRT, ABS-RSW
3	1003205-0005	1	SHROUD, SS, REAR, SRT, ABS-STM
3	1003205-0004	1	SHROUD, SS, REAR, SRT, ABS-BRZ

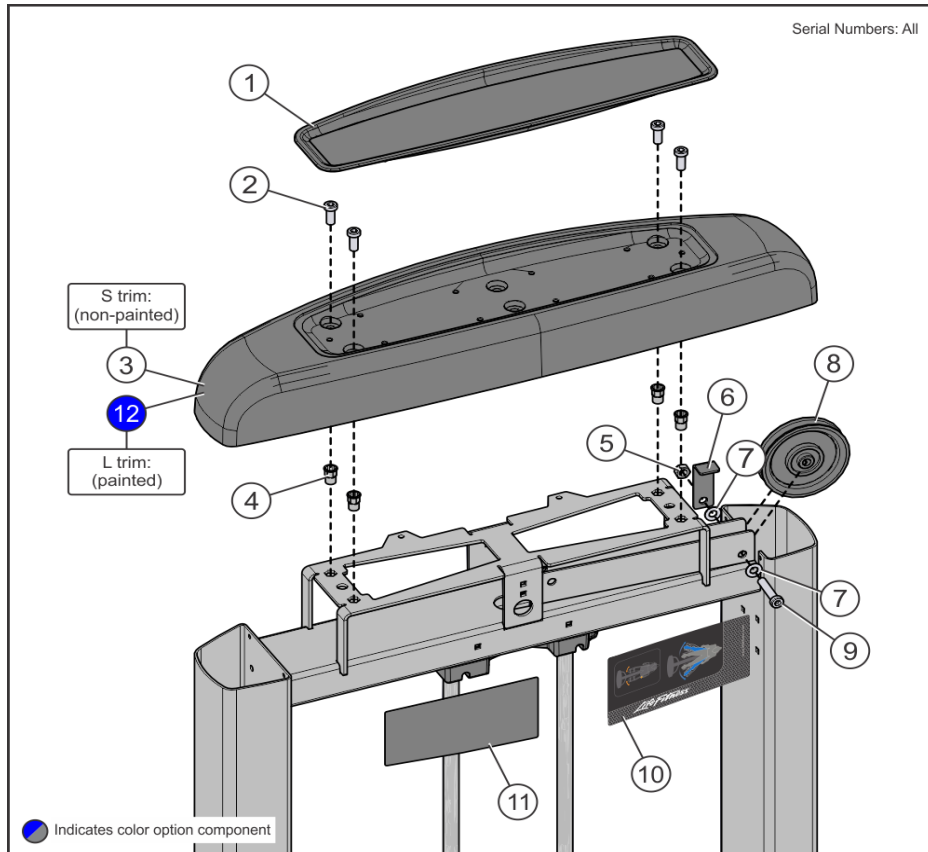
Ref #	Part Number	Qty	Description
3	1003205-0003	1	SHROUD, SS, REAR, SRT, ABS-SKY
3	1003205-0002	1	SHROUD, SS, REAR, SRT, ABS-BAM
4	AK58-00245-2401	1	MEDALLION-ASSY: BUG, LIFE FITNESS, CHARCOAL GRAY

## S and L Trim Tower Top



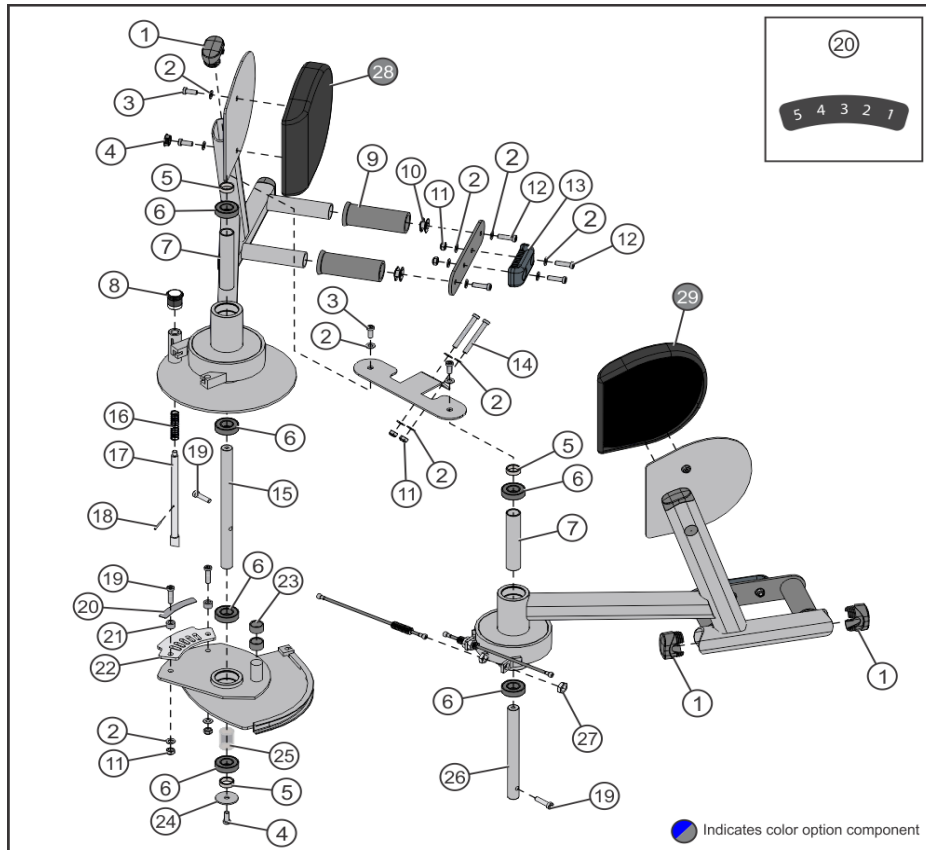
Ref #	Part Number	Qty	Description
1	3236801	1	NUT, NYLOCK M10 X 1.5 SS
2	6757701	1	CLIP, CABLE 2-7/8 X 1 X 1
3	9319901	1	PULLEY, 3/16 IN CABLE (T2), 4.5 IN OD
4	3236601	1	WASHER, 3/8 SAE STAINLESS STEEL
5	3236207	1	M10 X 1.5 X 50 SHCS, LOW HEAD
6	1006334-0001	1	ASSY, DUMMY HOUSING
7	1006620-0001	2	RETAINER: PANEL, 9/32 X 1/2 NYL
8	3275801	3	SCREW, 8 X 3/4 DIN PHL PAN AB ST ZB
9	0017-00042-1147	3	GROMMET: SCREW, 8 OR 10

Tower Top



Ref #	Part Number	Qty	Description
1	9411201	1	TRAY, TOWER TOP CAP
2	3236202	4	M10 X 1.5 X 25 SHCS, LOW HEAD
3	9436701	1	CAP, TOWER, TOP, PLASTIC
4	3238601	4	M10X1.5 BLIND THREADED INSERT (HEX)
5	3236801	1	NUT, NYLOCK M10 X 1.5 SS
6	6757701	1	CLIP, CABLE 2-7/8 X 1 X 1
7	3236601	2	WASHER, 3/8 SAE STAINLESS STEEL
8	9319901	1	PULLEY, 3/16 IN CABLE (T2), 4.5 IN OD
9	3236208	1	M10 X 1.5 X 55 SHCS, LOW HEAD
10	9476701	1	LABEL, SS-HAB PLACARD, RH
11	9465101	1	Label, SS-HAB, LH English
11	9465104	1	Label, SS-HAB, LH Spanish
11	9465107	1	Label, SS-HAB, LH Japanese
11	9465108	1	Label, SS-HAB, LH Portuguese
11	9465110	1	Label, SS-HAB, LH Russian
11	9465112	1	Label, SS-HAB, LH Chinese
12	9412600	1	CAP, SS, CAST Custom

### Workarms



Ref #	Part Number	Qty	Description
1	7333802	6	CAP, SMALL FLOW-END
2	3236601	14	WASHER, 3/8 SAE STAINLESS STEEL
3	3236202	5	M10 X 1.5 X 25 SHCS, LOW HEAD
4	3237407	2	PLUG, 1 IN HOLE
5	7330001	3	SPACER, INTERNAL X .403
6	3235601	6	BEARING, 6205 BALL
7	7330005	2	SPACER, INTERNAL X 6.265
8	9454703	1	KNOB, ADJ
9	7606202	4	GRIP, USER ARM
10	7347301	4	NUT, SPIDER M10 X 1.5
11	3236801	6	NUT, NYLOCK M10 X 1.5 SS
12	3236204	8	M10 X 1.5 X 35 SHCS, LOW HEAD
13	7352002	2	BUMPER, 2-1/8 X 4-5/8
14	3236214	2	M10 X 1.5 X 85 SHCS, LOW HEAD
15	7592001	1	SHAFT, FZ, 25MM
16	7351501	1	SPRING; PULL PIN LARGE
17	7795202	1	PIN, SPRING-RATCHET X 10.50
18	3110008	1	ROLL PIN, 1/8 DIA X 1-1/4
19	3236205	4	M10 X 1.5 X 40 SHCS, LOW HEAD
20	9499802	1	LABEL, SS-HAB, ADJ
21	7385203	2	SPACER, .406 X .750 X .500 SS
22	9500001	1	PLATE, SS-HAB, ADJ

Ref #	Part Number	Qty	Description
23	7690103	2	BUMPER, SLEEVE - 1 INCH DIA
24	7322301	1	PLATE, 1.97 OD X .447 ID 10GA
25	7330006	1	SPACER, INTERNAL X 1.765
26	7592101	1	SHAFT, FZ, 25MM X 10.12 LG
27	3236902	4	NUT, HEX JAM M16 X 2 SS
28	1000012-0199	1	HIP HAB/HAD RH, NO BACKER CUS, DBL STITCH- Custom
28	1000012-0099	1	HIP HAB/HAD RH, NO BACKER CUS, SNGL STITCH- Custom
29	1000011-0099	1	PAD, HIP HAB/HAD LH, NO BACKER CUS, SNGL STITCH- Custom
29	1000011-0199	1	PAD, HIP HAB/HAD LH, NO BACKER CUS, DBL STITCH- Custom

