

INSIGNIA HIP ABDUCTION/ADDUCTION

SS-HAA

Parts Manual

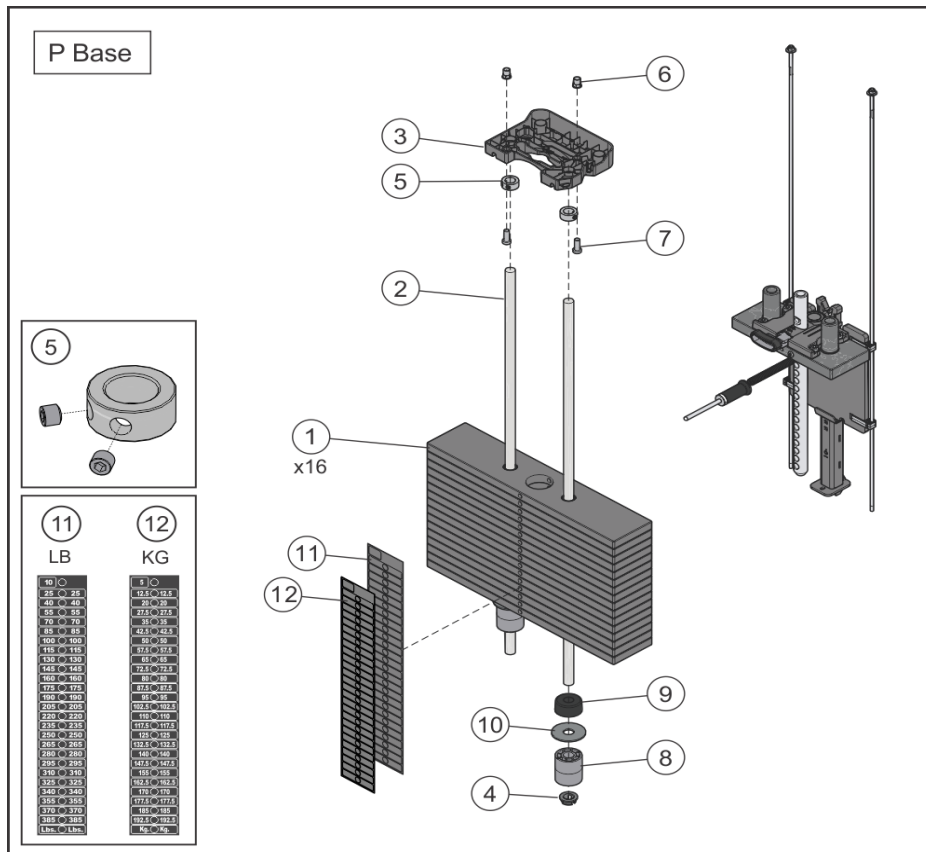
11/17/2024 21:05:31 PM



Table of Contents

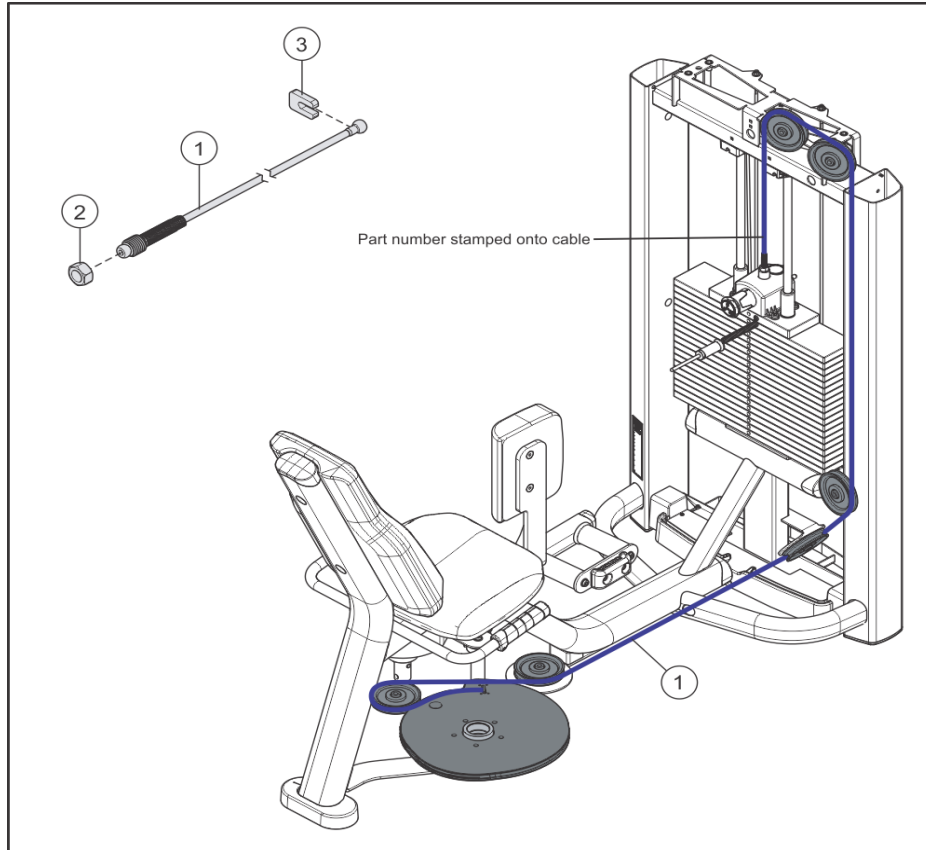
Base P-Stack	3
Cable	4
Cam Assembly	5
C and X Head Plate	6
C and X Increment Weights	7
Full Shroud	8
Grips	9
Heavy X-Stack	10
Left Workarm Assembly	11
Light C-Stack	13
L Trim Rep Counter	14
Main Frame Assembly	15
Pulley Arm Assembly	17
P-Stack Head Plate Assembly	18
P-Stack Increment Weight	19
Rear Shroud	20
Right Workarm Assembly	21
Shroud Wraps	23
Sub Assemblies	25
S and L Trim Tower Top	26
Tower Top	27

Base P-Stack



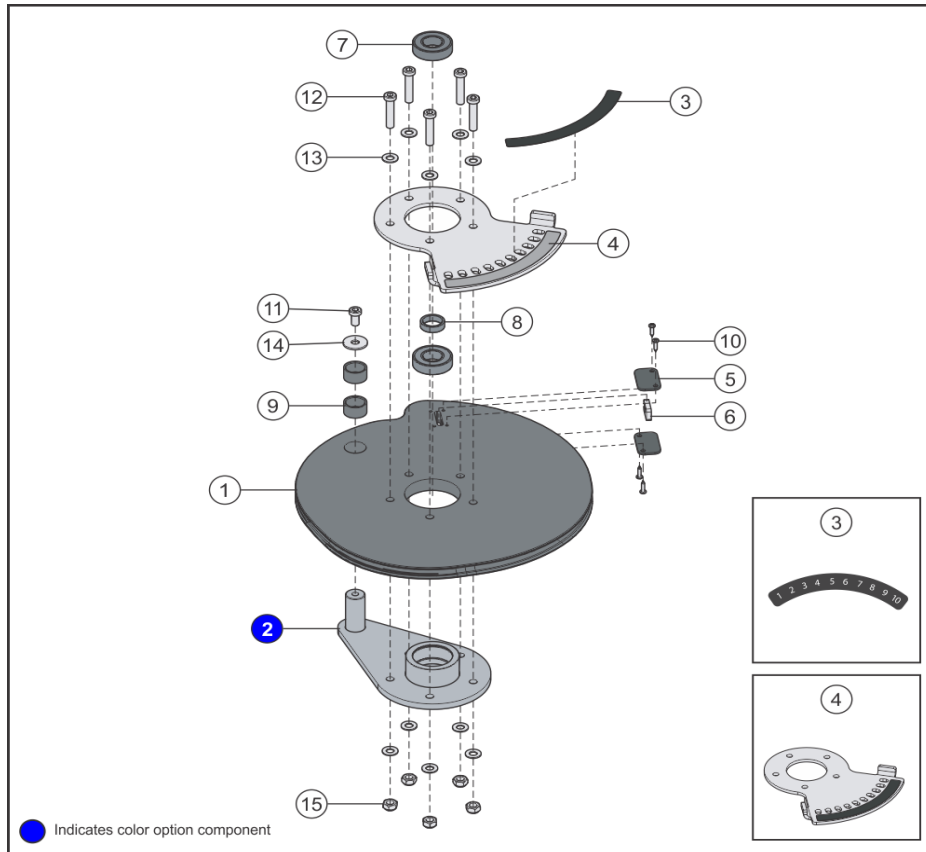
Ref #	Part Number	Qty	Description
1	9407601	16	WGT PL, 3/4IN X 4IN, 15LB
2	7328612	2	GUIDE ROD, .75 OD SOLID X 50.36
3	1015452-0001	1	RETAINER: GUIDE ROD, NYL
4	7337901	2	BUSHING, GUIDE ROD
5	3103301	2	SHAFT COLLAR, 3/4" ID ZINC
6	3238601	2	M10X1.5 BLIND THREADED INSERT (HEX)
7	3236202	2	M10 X 1.5 X 25 SHCS, LOW HEAD
8	1004349-0002	2	SPACER, WGT STK, 3 PL8
9	7352101	2	CUSHION, WEIGHT STACK
10	1010765-0001	2	WASHER: 0.80 OD, 11GA
11	9475101	1	LABEL, 3/4 IN WGT STACK, 385 LB
12	9475401	1	LABEL, 3/4 IN WGT STACK, 192.5 KG

Cable



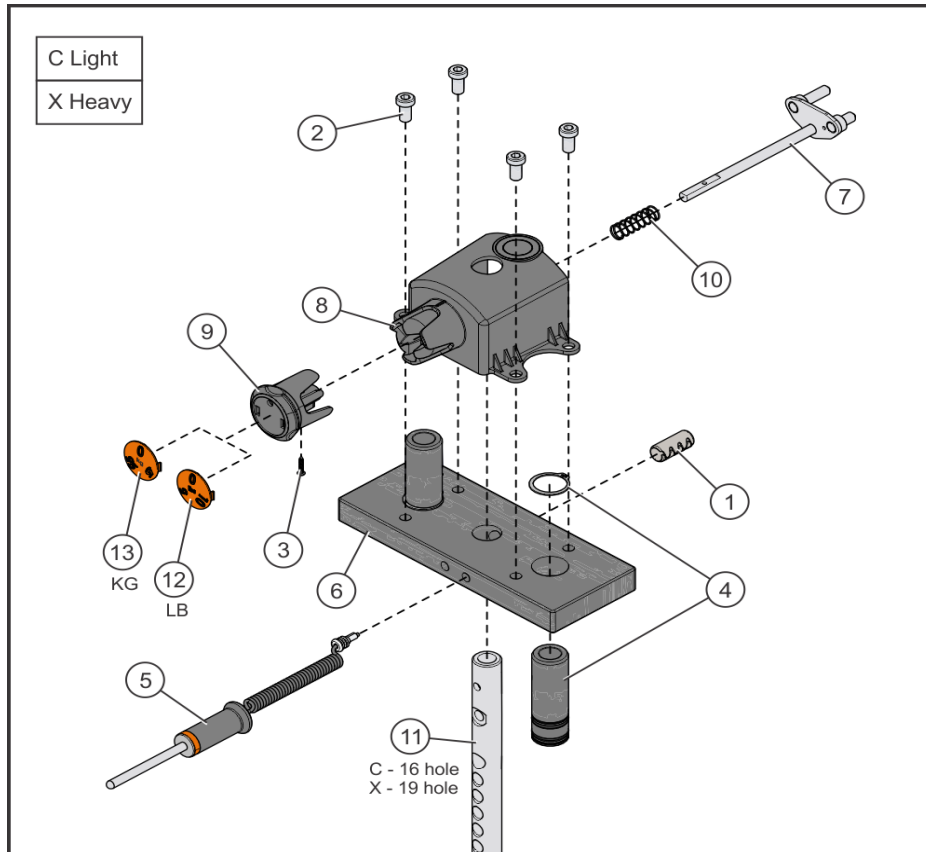
Ref #	Part Number	Qty	Description
1	1019744-0001	1	ASSEMBLY: CABLE, BALL END, HAA
2	3254705	1	NUT, M12 X 1.0 HEX ZINC
3	7342201	1	PLATE, CABLE END

Cam Assembly



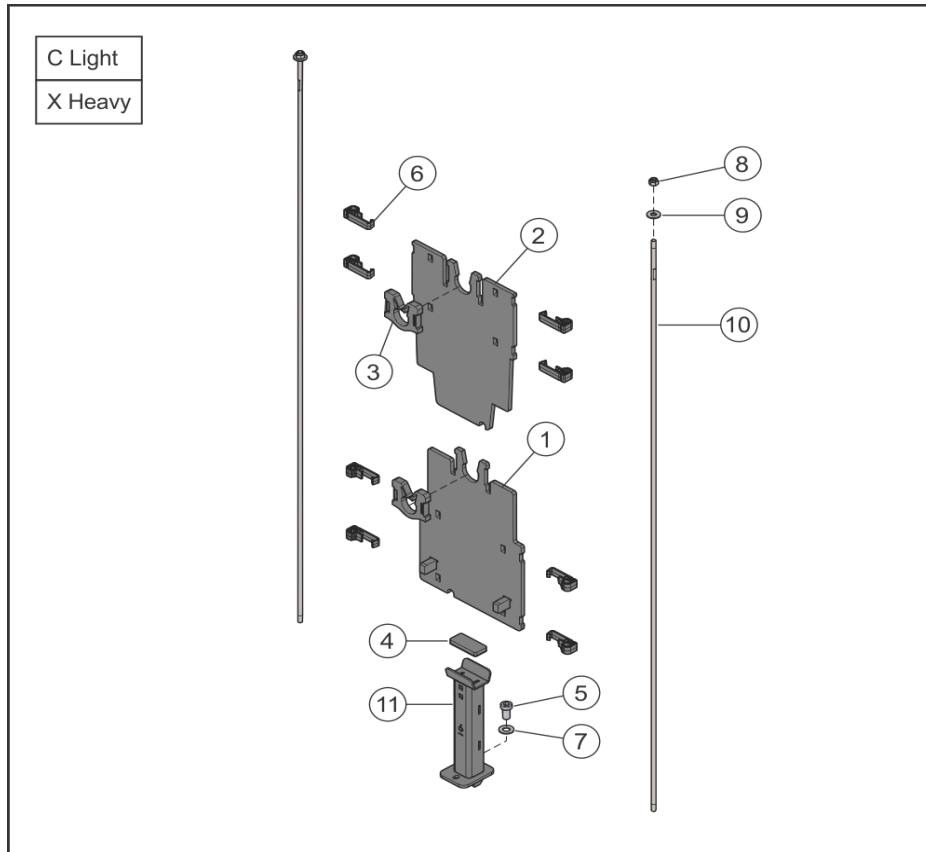
Ref #	Part Number	Qty	Description
1	1018388-0001	1	CAM: HAA, CHARCOAL GRAY
2	1018356-0000	1	WELDMNT: CAM MOUNT Custom
3	9499902	1	LABEL, SS-HAD, ADJ
4	1020104-0001	1	ASSEMBLY: DETENT BRACKET W/ LABEL, HAA
5	1018414-2801	2	PLATE: COVER, CABLE RETAINER - CHR
6	7342201	1	PLATE, CABLE END
7	3235601	2	BEARING, 6205 BALL
8	7330010	1	SPACER, INTERNAL X .344
9	7690103	2	BUMPER, SLEEVE - 1 INCH DIA
10	3275801	4	SCREW, 8 X 3/4 DIN PHL PAN AB ST ZB
11	3236201	1	M10 X 1.5 X 20 SHCS, LOW HEAD
12	3236207	5	M10 X 1.5 X 50 SHCS, LOW HEAD
13	3236601	10	WASHER, 3/8 SAE STAINLESS STEEL
14	3236602	1	WASHER, 3/8 ID X 1.25 OD SS
15	3236801	5	NUT, NYLOCK M10 X 1.5 SS

C and X Head Plate



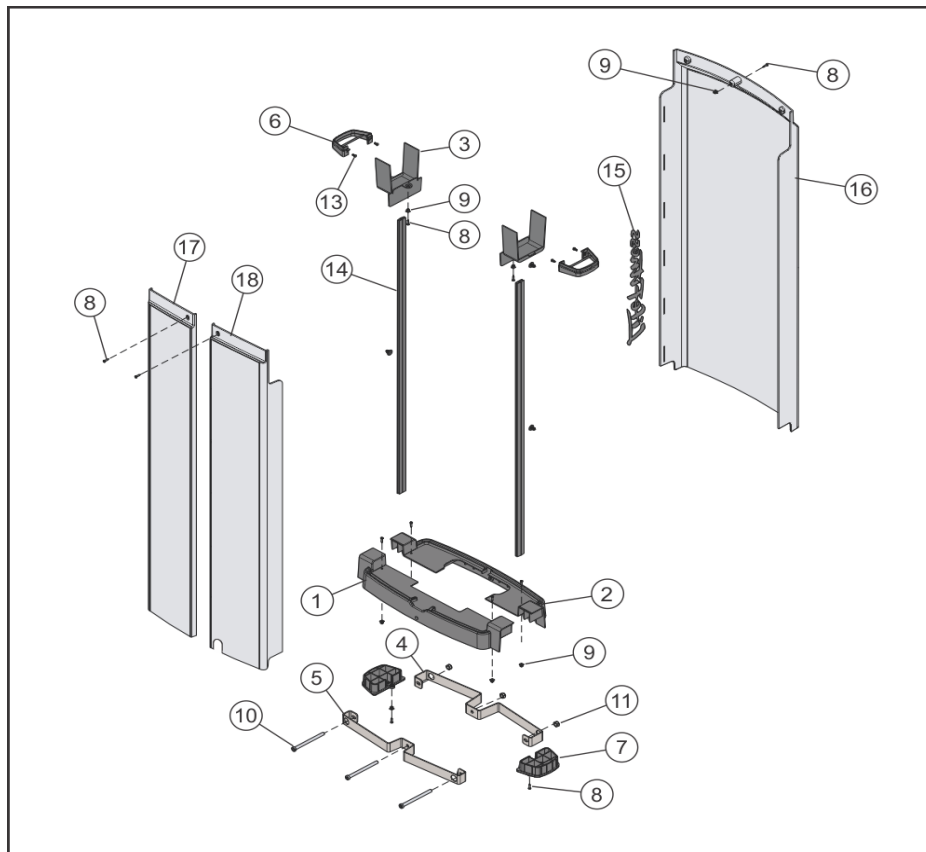
Ref #	Part Number	Qty	Description
1	3236001	1	BUSHING, SPRING PIN
2	3236201	4	M10 X 1.5 X 20 SHCS, LOW HEAD
3	3275601	1	SCREW, 6 X 3/4 DIN PHL PAN AB ST ZB
4	9296001	2	BUSHING, HEADPLATE, LONG
5	1003679-0003	1	ASSY, WGT STK SEL PIN -YEL
6	9427401	1	HEADPLATE, WT. STACK, 10LB
7	1010800-0001	1	WLDMT, INC WGT PIN
8	1017209-0001	1	HOUSING: INC WEIGHT
9	9443201	1	KNOB, INC WEIGHT
10	9443301	1	SPRING, INC WGT PIN
11	9434202	1	BAYONET, 16 PLATE
11	9426002	1	BAYONET, 19 PLATE
12	9431403	1	CAP, SELECTOR KNOB -LBS
13	9450103	1	CAP, SELECTOR KNOB -KGS

C and X Increment Weights



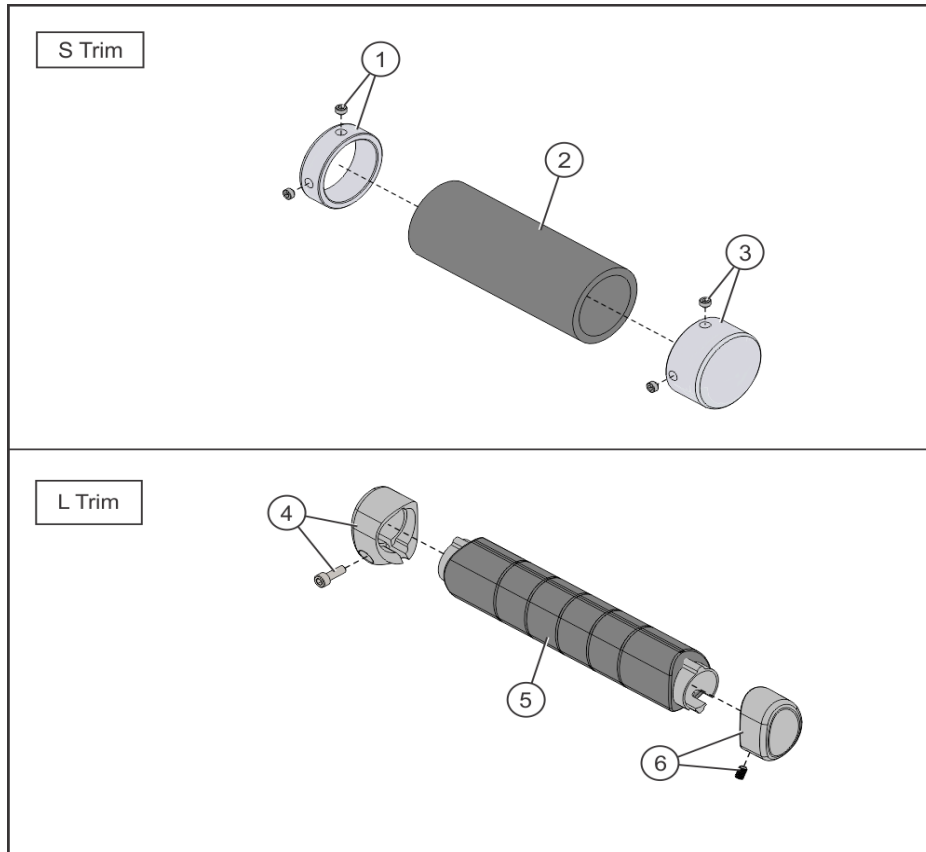
Ref #	Part Number	Qty	Description
1	1010971-2801	1	WLDMT: INC WEIGHT, 5LB, REAR -CHR
2	1010970-2801	1	PLATE: INC WEIGHT, 5LB, FRONT, 1/4" -CHR
3	1008920-0001	2	GUARD: INCREMENT WEIGHT, 0.25
4	1008552-0001	1	BUMPER: EA FOAM, INC WEIGHT
5	3236201	1	M10 X 1.5 X 20 SHCS, LOW HEAD
6	1010803-0001	8	GUIDE ROD ASSY: INCR WT, 1/4", CHARCOAL GRAY
7	3236601	1	WASHER, 3/8 SAE STAINLESS STEEL
8	3102806	2	NUT, NYLOCK 1/4-20
9	3102506	2	WASHER, FLAT 1/4 ID ZN
10	1008192-0002	2	GUIDE ROD: 0.25 OD SOLID, 54.75"
11	1018165-2801	1	WLDMT: BRACKET, INC WEIGHT SPACER, 6" -CHR

Full Shroud



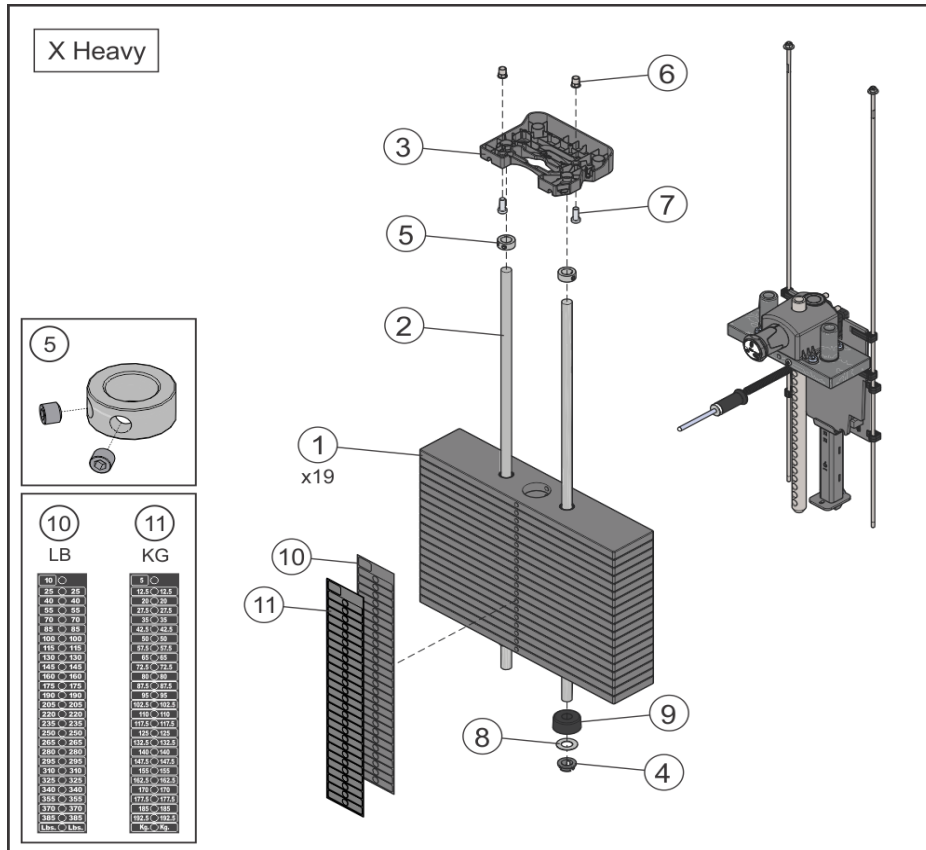
Ref #	Part Number	Qty	Description
1	9410801	1	COVER, TOWER BOTTOM -FRONT
2	1007064-0001	1	COVER: TOWER BOTTOM, REAR
3	9415701	2	COVER, SS, TWR
4	1007623-0001	1	BRACKET: TOWER GUARD, REAR
5	1007622-0001	1	BRACKET: TOWER GUARD, FRONT
6	9415801	2	GASKET, TRAP TUBE
7	9412701	2	ASSY, TRAP TUBE, CAP -BTM
8	3275801	11	SCREW, 8 X 3/4 DIN PHL PAN AB ST ZB
9	0017-00042-1147	9	GROMMET: SCREW, 8 OR 10
10	3236220	3	M10 X 1.5 X 130 SHCS, LOW HEAD
11	3236801	3	NUT, NYLOCK M10 X 1.5 SS
12	1006620-0001	4	RETAINER: PANEL, 9/32 X 1/2 NYL
13	0017-00101-1587	4	RVT 201X0413X.354 T NY NO
14	9414601	2	SHROUD EXTRUSION - SHORT
15	9489101	1	LABEL, LIFE FITNESS, 20IN.
16	9489001	1	SHROUD, SS, REAR, SRT
17	9410601	1	SHROUD, TOWER FRONT, LT - SHORT
18	9410703	1	SHROUD, SS-HAB/HAD, FNT, RT

Grips



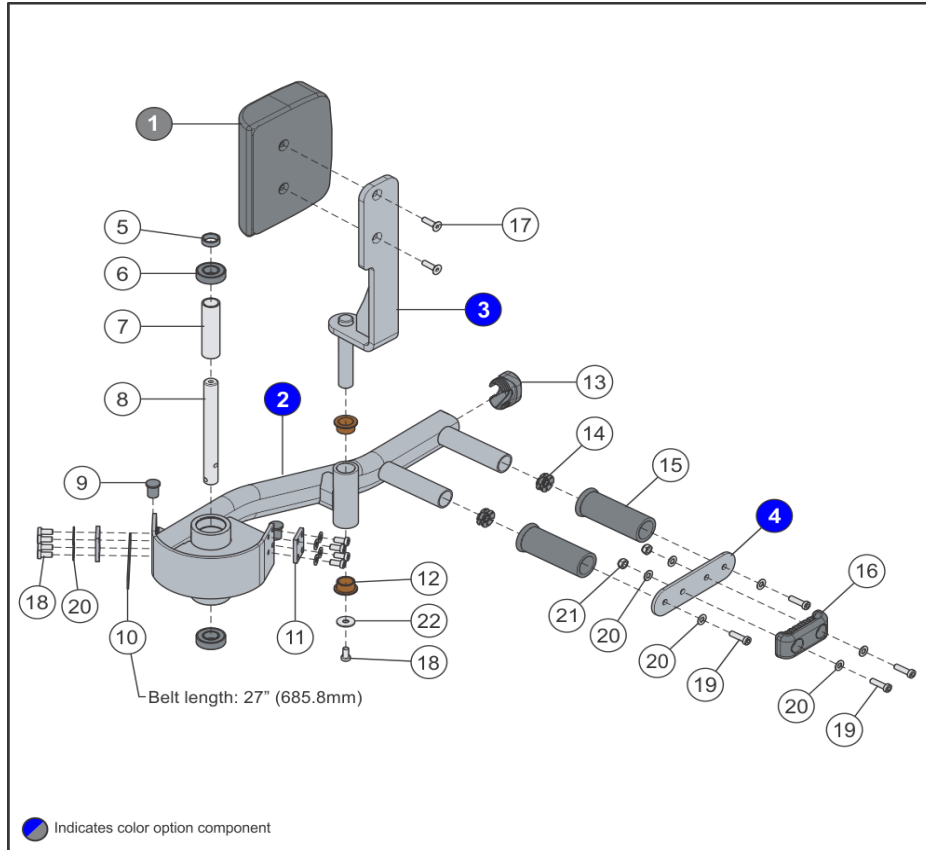
Ref #	Part Number	Qty	Description
1	7662801	1	RING, GRIP 1.25 OD
2	3235806	1	GRIP, 1.25 OD X .125 WALL OPEN END
3	7662901	1	CAP; GRIP 1.25 OD
4	1001760-0001	1	ASSY, COLLAR, ERGO GRIP
5	9453001	1	GRIP, ERGO, OVERMOLD, 6.5
6	1001761-0001	1	ASSY, CAP, GRIP

Heavy X-Stack



Ref #	Part Number	Qty	Description
1	9407601	19	WGT PL, 3/4IN X 4IN, 15LB
2	1008192-0002	2	GUIDE ROD: 0.25 OD SOLID, 54.75"
3	1015452-0001	1	RETAINER: GUIDE ROD, NYL
4	7337901	2	BUSHING, GUIDE ROD
5	3103301	2	SHAFT COLLAR, 3/4" ID ZINC
6	3238601	2	M10X1.5 BLIND THREADED INSERT (HEX)
7	3236202	2	M10 X 1.5 X 25 SHCS, LOW HEAD
8	7351001	2	SPACER, INC WT STACK
9	7352101	2	CUSHION, WEIGHT STACK
10	9475101	2	LABEL, 3/4 IN WGT STACK, 385 LB
11	9475401	1	LABEL, 3/4 IN WGT STACK, 192.5 KG

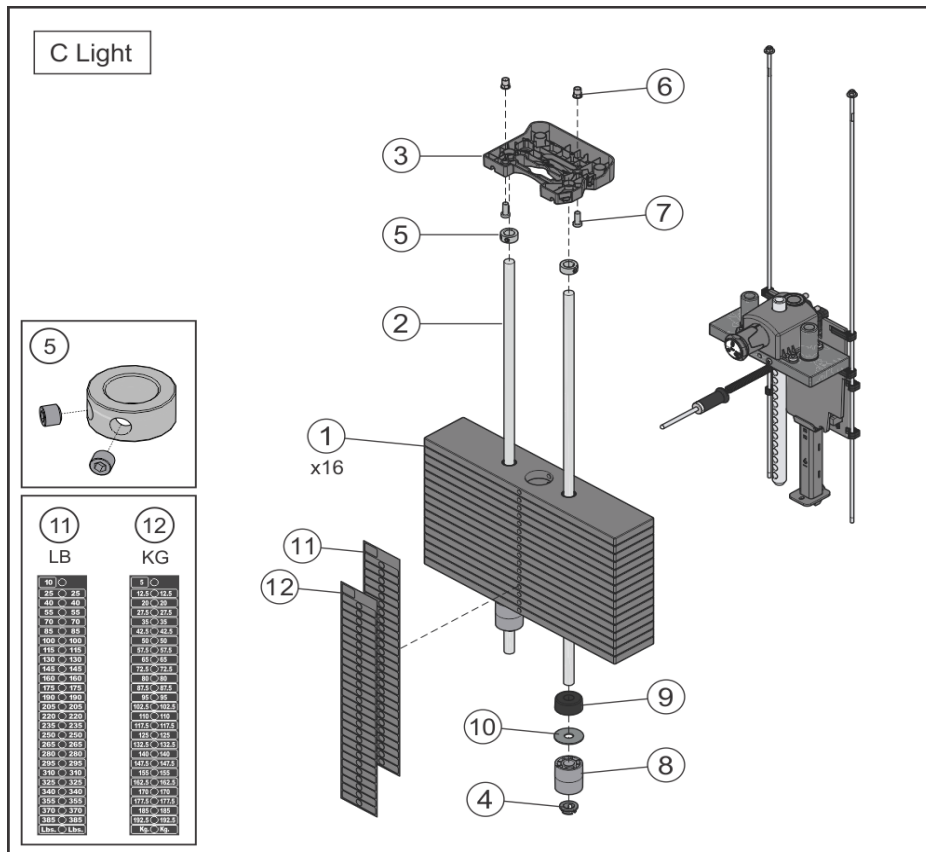
Left Workarm Assembly



Ref #	Part Number	Qty	Description
1	1019615-0099	1	PAD: HIP ABD/ADD, THIGH - SINGL STITCH - Custom
1	1019615-0199	1	PAD: HIP ABD/ADD, THIGH - DBL STITCH - Custom
2	1018392-0000	1	WELDMENT: LEG, LEFT Custom
3	1018567-0000	1	WELDMENT: KNEE PIVOT, LEFT Custom
4	1018397-2801	1	PLATE: FOOT - CHR
5	7330001	1	SPACER, INTERNAL X .403
6	3235601	2	BEARING, 6205 BALL
7	7330004	1	SPACER, INTERNAL X 4.765
8	1018400-0001	1	SHAFT: TAPPED, LEFT LEG
9	8697201	1	BAR, OSHAA, BELT DOWEL
10	1020110-0001	1	BELT: SPOOLED, HAA
11	1019274-2801	2	PLATE: HAA, BELT - CHR
12	3104903	2	BRNG, FLANGE 1.00 ID X 1.25 OD
13	7333802	1	CAP, SMALL FLOV-END
14	7347301	2	NUT, SPIDER M10 X 1.5
15	7606202	2	GRIP, USER ARM
16	7352002	1	BUMPER, 2-1/8 X 4-5/8
17	3238304	2	SCREW, M10 FLTHD X 35MM
18	3236201	9	M10 X 1.5 X 20 SHCS, LOW HEAD
19	3236204	4	M10 X 1.5 X 35 SHCS, LOW HEAD
20	3236601	14	WASHER, 3/8 SAE STAINLESS STEEL
21	3236801	2	NUT, NYLOCK M10 X 1.5 SS

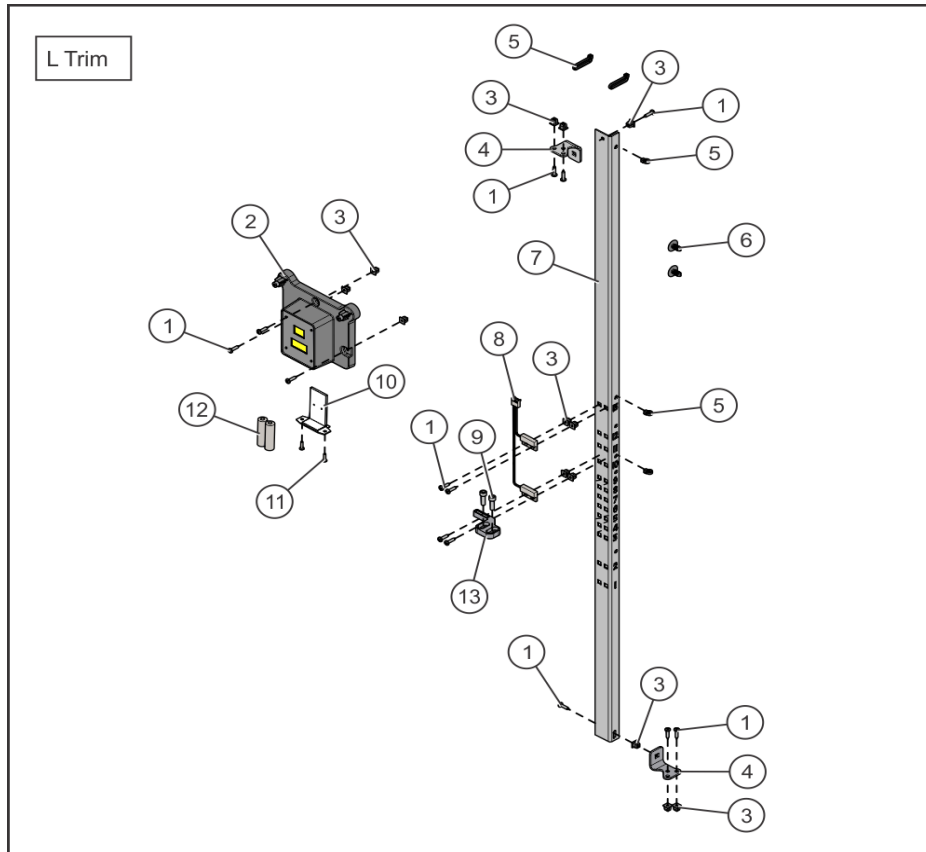
Ref #	Part Number	Qty	Description
22	3236602	1	WASHER, 3/8 ID X 1.25 OD SS

Light C-Stack



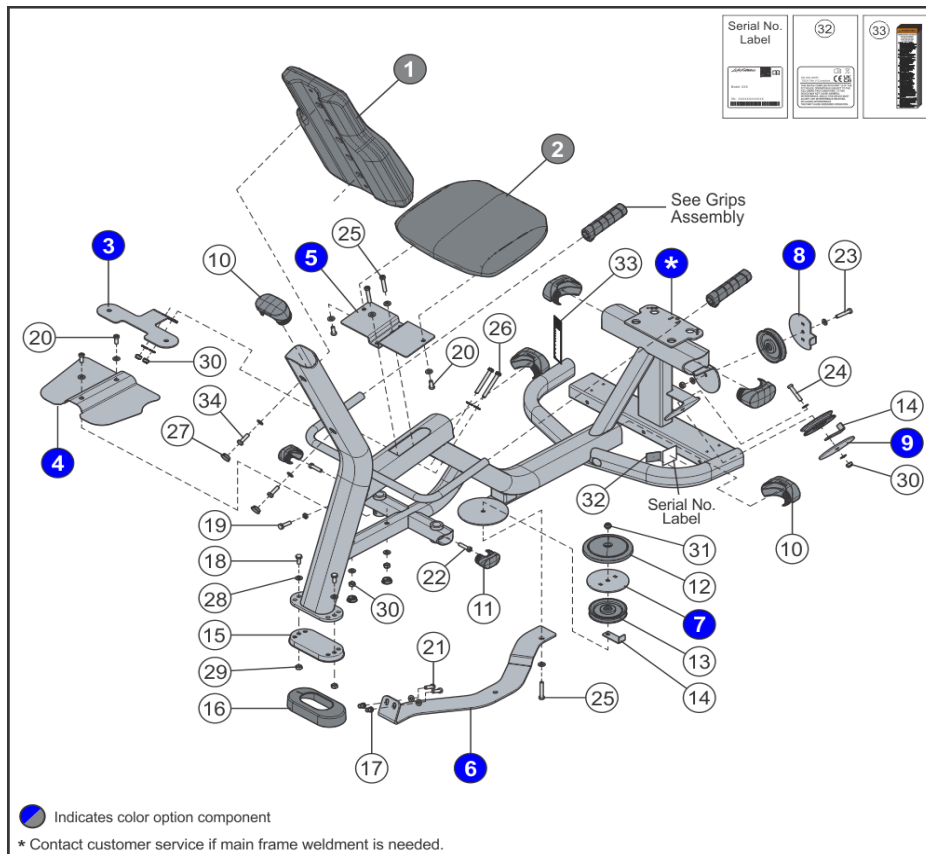
Ref #	Part Number	Qty	Description
1	9407601	16	WGT PL, 3/4IN X 4IN, 15LB
2	1008192-0002	2	GUIDE ROD: 0.25 OD SOLID, 54.75"
3	1015452-0001	1	RETAINER: GUIDE ROD, NYL
4	7337901	2	BUSHING, GUIDE ROD
5	3103301	2	SHAFT COLLAR, 3/4" ID ZINC
6	3238601	2	M10X1.5 BLIND THREADED INSERT (HEX)
7	3236202	2	M10 X 1.5 X 25 SHCS, LOW HEAD
8	1004349-0002	2	SPACER, WGT STK, 3 PL8
9	7352101	2	CUSHION, WEIGHT STACK
10	1010765-0001	2	WASHER: 0.80 OD, 11GA
11	9475101	1	LABEL, 3/4 IN WGT STACK, 385 LB
12	9475401	1	LABEL, 3/4 IN WGT STACK, 192.5 KG

L Trim Rep Counter



Ref #	Part Number	Qty	Description
1	3275801	13	SCREW, 8 X 3/4 DIN PHL PAN AB ST ZB
2,8	1008199-0001	2	ASSY: REP COUNTER/SWITCH/MAGNET
3	0017-00042-1147	13	GROMMET: SCREW, 8 OR 10
4	1007269-0028	2	BRACKET: RAIL MOUNT, REP CNTR -CHR
5	3276501	5	CABLE TIE 11 IN.
6	1006620-0001	2	RETAINER: PANEL, 9/32 X 1/2 NYL
7	1008003-0028	1	BRACKET: SWITCH MNT, STD -CHR
9	3241701	2	M6 X 1 X 20MM SHCS, STD HEAD
10	9436401	1	DOOR, BATTERY PACK MOUNT
11	3226002	2	6-20 X 7 PHL PAN PLT ST BZ
12	3276401	2	BATTERY, AA
13	1007177-0001	1	ASSY: MAGNET, REP CNTR DCI

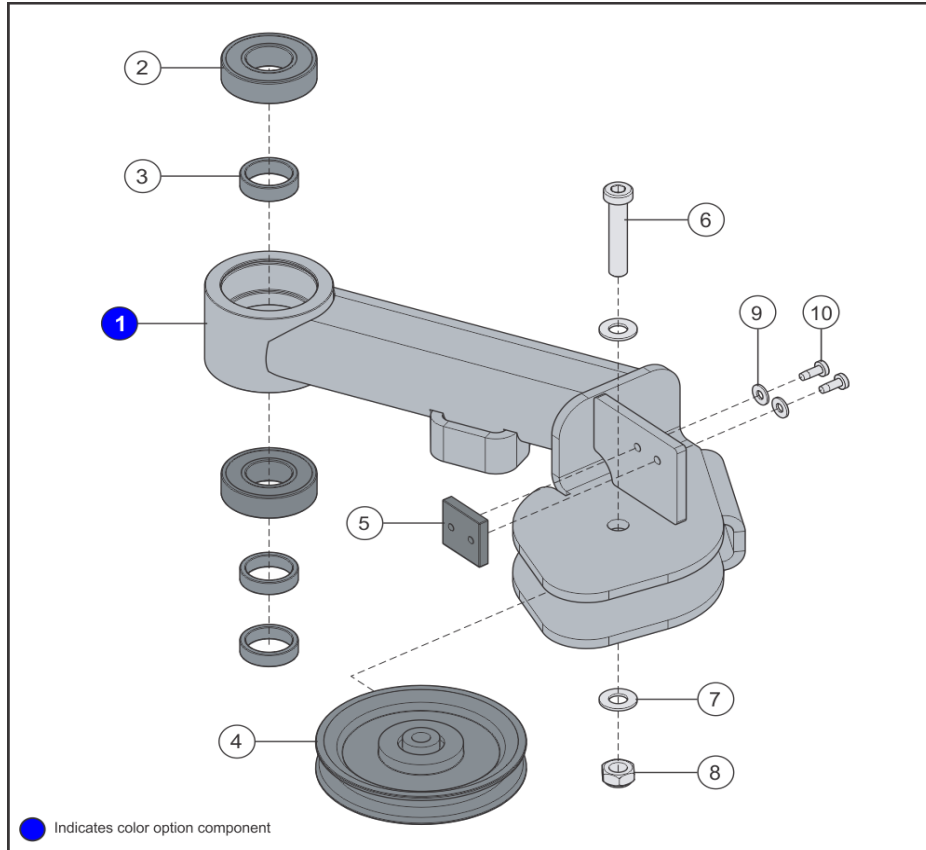
Main Frame Assembly



Ref #	Part Number	Qty	Description
1	1000018-0199	1	PAD, LARGE BACK CUS, DBL STITCH- Custom
1	1000018-0099	1	PAD, LARGE BACK CUS, SNGL STITCH- Custom
2	1000000-0099	1	PAD, LARGE CHAIR CUS, SNGL STITCH- Custom
2	1000000-0199	1	PAD, LARGE CHAIR CUS, DBL STITCH- Custom
3	1018415-0000	1	BRACKET: BENT, HOUSING COVER Custom
4	1019654-0000	1	BRACKET: GUARD, WORKARM Custom
5	1020078-0000	1	BRACKET: SEAT Custom
6	1019534-0000	1	BRACKET: SHAFT SUPPORT, REAR Custom
7	7318201	1	PLATE, PULLEY
8	7730900	1	BRKT, COVER/CABLE RETAINER Custom
9	9343700	1	PLATE, PULLEY- Custom
10	7333902	5	CAP, LARGE FLOV-END; CHGR
11	7333802	2	CAP, SMALL FLOV-END
12	8102902	1	COVER, PULLEY-BOLTED FULL
13	3237802	3	PULLEY, 1/4 IN CABLE (T3), 4.5 IN OD
14	6757701	2	CLIP, CABLE 2-7/8 X 1 X 1
15	9319301	1	FOOT, 2.5 X 4.49 FLOV
16	9319401	1	COVER, FOOT -STRT
17	3238601	2	M10X1.5 BLIND THREADED INSERT (HEX)
18	3251202	2	M10 X 1.5 X 25MM UNS HEX CS ST ZN
19	3251204	1	M10 X 1.5 X 35MM UNS HEX CS ST ZN
20	3236202	4	M10 X 1.5 X 25 SHCS, LOW HEAD

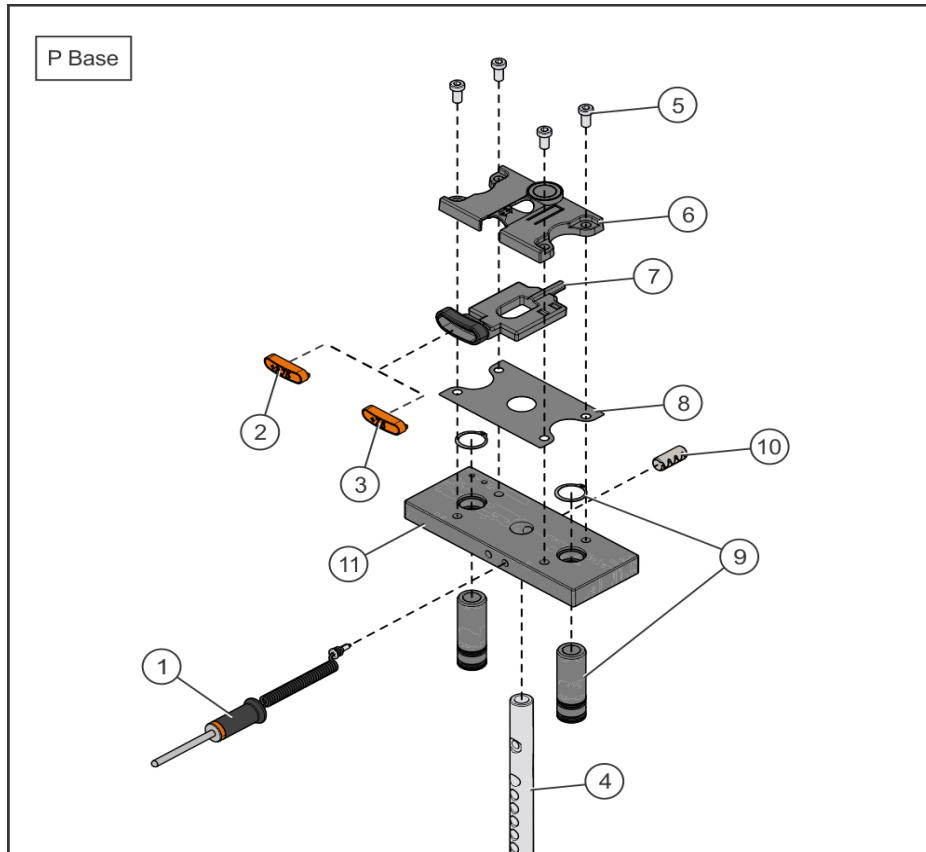
Ref #	Part Number	Qty	Description
21	3236203	2	M10 X 1.5 X 30 SHCS, LOW HEAD
22	3236205	2	M10 X 1.5 X 40 SHCS, LOW HEAD
23	3236207	1	M10 X 1.5 X 50 SHCS, LOW HEAD
24	3236208	1	M10 X 1.5 X 55 SHCS, LOW HEAD
25	3236209	3	M10 X 1.5 X 60 SHCS, LOW HEAD
26	3236214	2	M10 X 1.5 X 85 SHCS, LOW HEAD
27	3237407	4	PLUG, 1 IN HOLE
28	3236601	23	WASHER,3/8 SAE STAINLESS STEEL
29	3254703	2	NUT, M10 X 1.5 HEX ZINC
30	3236801	5	NUT, NYLOCK M10 X 1.5 SS
31	7335401	1	NUT, M10 X 1.5 SOCKET HEAD
32	9488901	1	LABEL, INSIGNIA, FCC
33	8220000	1	LABEL, ASTM WARNING FW SELECT
34	3251203	2	M10 X 1.5 X 30MM UNS HEX CS ST ZN

Pulley Arm Assembly



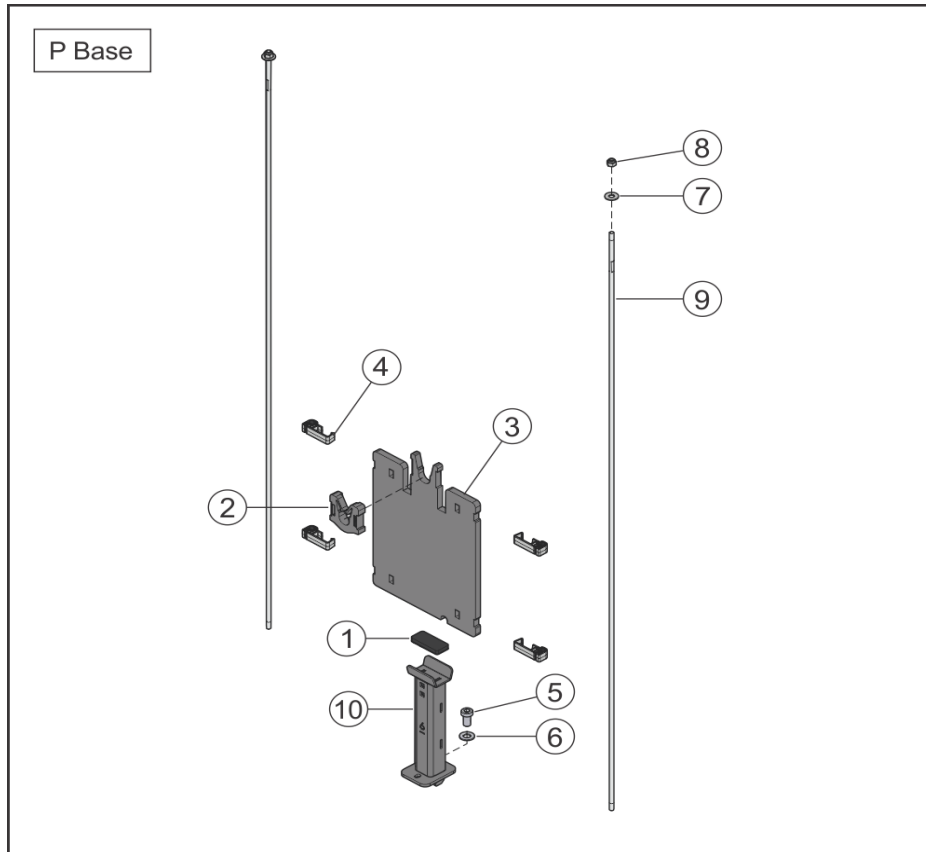
Ref #	Part Number	Qty	Description
1	1018349-0000	1	WELDMENT: PULLEY ARM Custom
2	3235601	2	BEARING, 6205 BALL
3	7330017	3	SPACER, INTERNAL X .390
4	3237802	1	PULLEY, 1/4 IN CABLE (T3), 4.5 IN OD
5	1016027-0001	1	BUMPER: STOP, 6MM THK
6	3236208	1	M10 X 1.5 X 55 SHCS, LOW HEAD
7	3236601	1	WASHER, 3/8 SAE STAINLESS STEEL
8	3236801	1	NUT, NYLOCK M10 X 1.5 SS
9	3114407	2	WASHER, FLAT #10 SAE ST BZ
10	3270602	2	SCREW, #10-32 X .50 TRX PAN ST BZ

P-Stack Head Plate Assembly



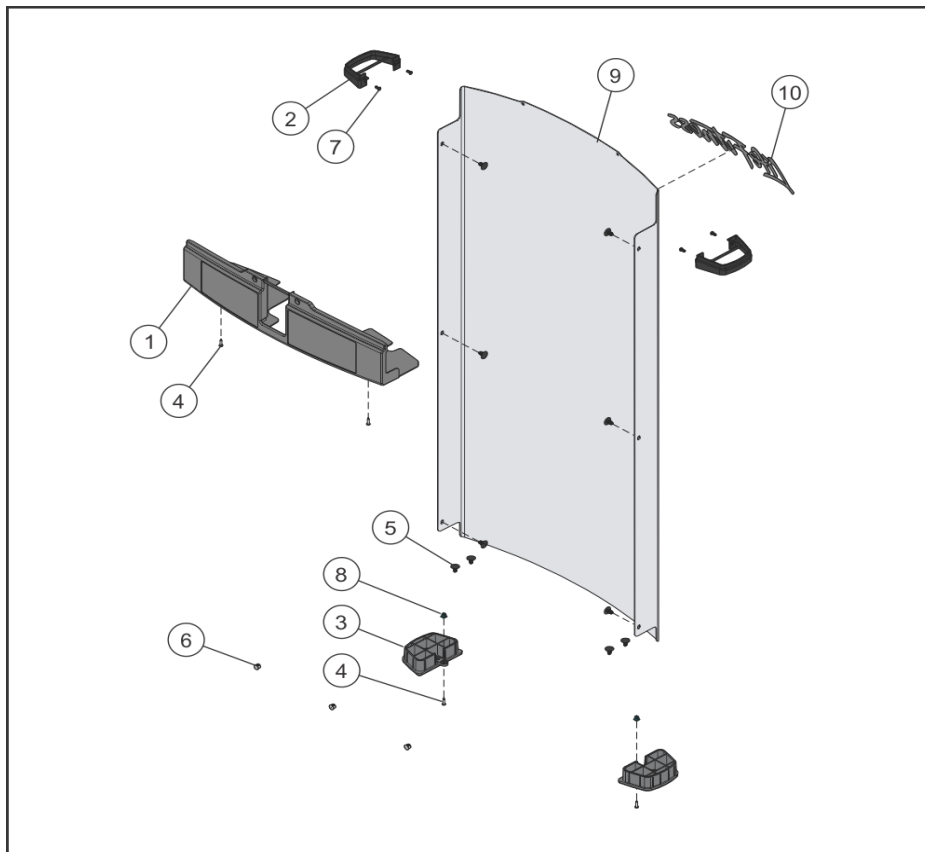
Ref #	Part Number	Qty	Description
1	1003679-0003	1	ASSY, WGT STK SEL PIN -YEL
2	1006751-0001	1	CAP: 3.75 KG INC WEIGHT - KG
3	1006750-0001	1	CAP, 7.5 LB INC WEIGHT - LBS
4	9434202	1	BAYONET, 16 PLATE
5	3236202	4	M10 X 1.5 X 25 SHCS, LOW HEAD
6	1017210-0001	1	HOUSHING: 7.5LB INC WEIGHT
7	1008675-0001	1	HANDLE: 7.5LB INC WT, PLASTIC
8	1006707-0001	1	DIE CUT: 7.5LB INC WEIGHT, NYLON SHEET, 0.020"
9	9296001	2	BUSHING, HEADPLATE, LONG
10	3236001	1	BUSHING, SPRING PIN
11	9427401	1	HEADPLATE, WT. STACK, 10LB

P-Stack Increment Weight



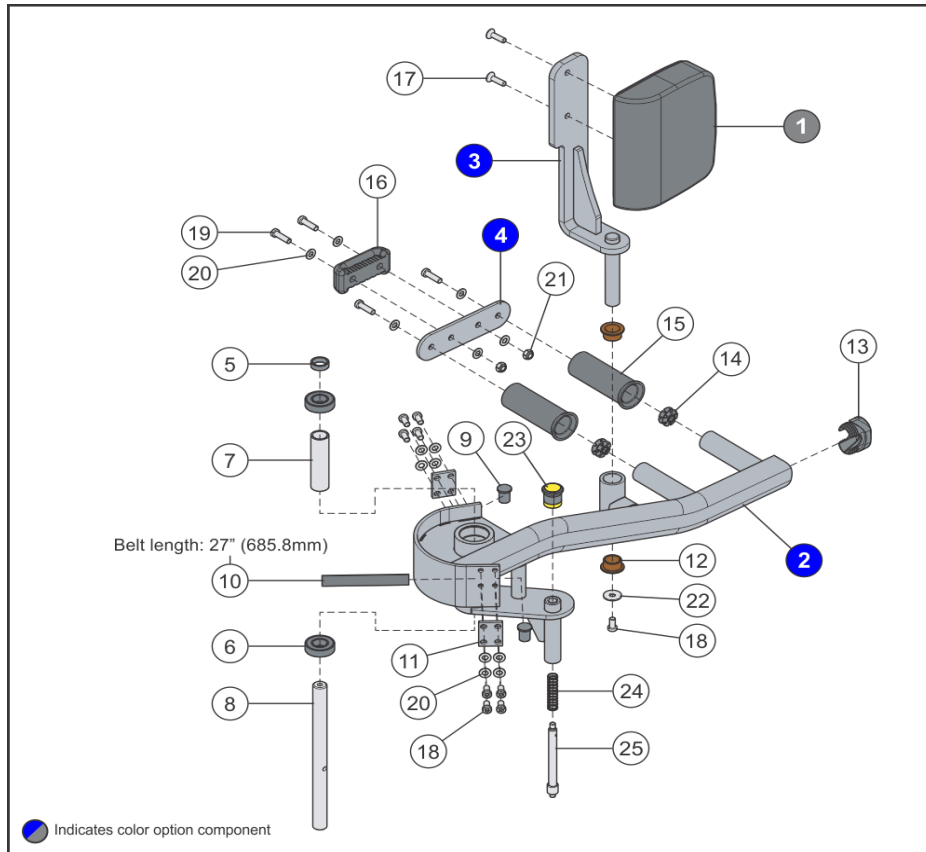
Ref #	Part Number	Qty	Description
1	1008552-0001	1	BUMPER: EA FOAM, INC WEIGHT
2	1008566-0001	1	GUARD: INCREMENT WEIGHT, 0.375
3	1008366-0028	1	PLATE: INCREMENT WEIGHT, 7.5LB - CHR
4	1010805-0001	4	GUIDE ROD ASSY: INCR WT, 3/8", CHARCOAL GRAY
5	3236201	1	M10 X 1.5 X 20 SHCS, LOW HEAD
6	3236601	1	WASHER, 3/8 SAE STAINLESS STEEL
7	3102506	2	WASHER, FLAT 1/4 ID ZN
8	3102806	2	NUT, NYLOCK 1/4-20
9	1008192-0002	2	GUIDE ROD: 0.25 OD SOLID, 54.75"
10	1018165-2801	1	WLDMT: BRACKET, INC WEIGHT SPACER, 6" -CHR

Rear Shroud



Ref #	Part Number	Qty	Description
1	1018509-0001	1	ASSY: TOP TRIM, PLACARD MNT
2	9415801	2	GASKET, TRAP TUBE
3	9412701	2	ASSY, TRAP TUBE, CAP -BTM
4	3275801	2	SCREW, 8 X 3/4 DIN PHL PAN AB ST ZB
5	1006620-0001	10	RETAINER: PANEL, 9/32 X 1/2 NYL
6	3237405	3	PLUG, 7/16 IN HOLE
7	0017-00101-1587	4	RVT 201X0413X.354 T NY NO
8	0017-00042-1147	2	GROMMET: SCREW, 8 OR 10
9	1009335-0001	1	SHROUD: REAR, W/LOGO, STD
10	1008491-0001	1	LABEL, LIFE FITNESS, 16IN

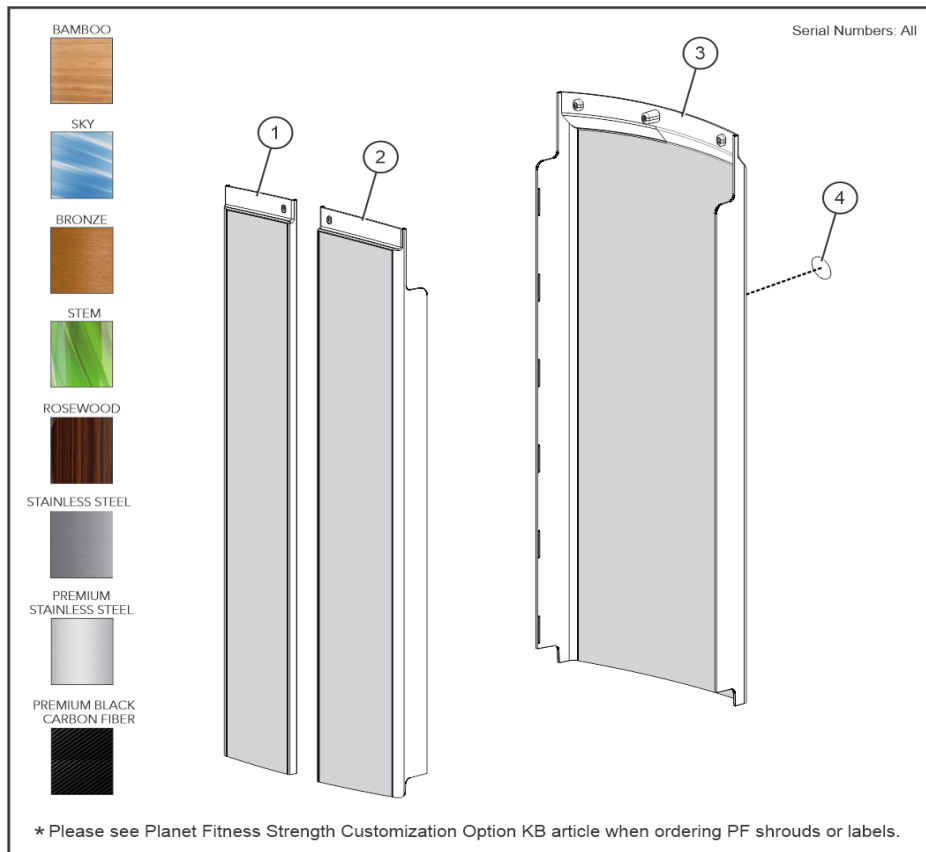
Right Workarm Assembly



Ref #	Part Number	Qty	Description
1	1019615-0199	1	PAD: HIP ABD/ADD, THIGH - DBL STITCH - Custom
1	1019615-0099	1	PAD: HIP ABD/ADD, THIGH - SINGL STITCH - Custom
2	1018347-0000	1	WELDMENT: LEG, RIGHT Custom
3	1018562-0000	1	WELDMENT: KNEE PIVOT, RIGHT Custom
4	1018397-2801	1	PLATE: FOOT - CHR
5	7330001	1	SPACER, INTERNAL X .403
6	3235601	2	BEARING, 6205 BALL
7	7330004	1	SPACER, INTERNAL X 4.765
8	1018399-0001	1	SHAFT: TAPPED, RIGHT LEG
9	8697201	1	BAR, OSHAA, BELT DOWEL
10	1020110-0001	1	BELT: SPOOLED, HAA
11	1019274-2801	2	PLATE: HAA, BELT - CHR
12	3104903	2	BRNG, FLANGE 1.00 ID X 1.25 OD
13	7333802	1	CAP, SMALL FLOV-END
14	7347301	2	NUT, SPIDER M10 X 1.5
15	7606202	2	GRIP, USER ARM
16	7352002	1	BUMPER, 2-1/8 X 4-5/8
17	3238304	2	SCREW, M10 FLTHD X 35MM
18	3236201	9	M10 X 1.5 X 20 SHCS, LOW HEAD
19	3236204	4	M10 X 1.5 X 35 SHCS, LOW HEAD
20	3236601	14	WASHER, 3/8 SAE STAINLESS STEEL
21	3236801	2	NUT, NYLOCK M10 X 1.5 SS

Ref #	Part Number	Qty	Description
22	3236602	1	WASHER, 3/8 ID X 1.25 OD SS
23	9454703	1	KNOB, ADJ
24	7351501	1	SPRING; PULL PIN LARGE
25	7425102	1	PIN, PULL X 6.750

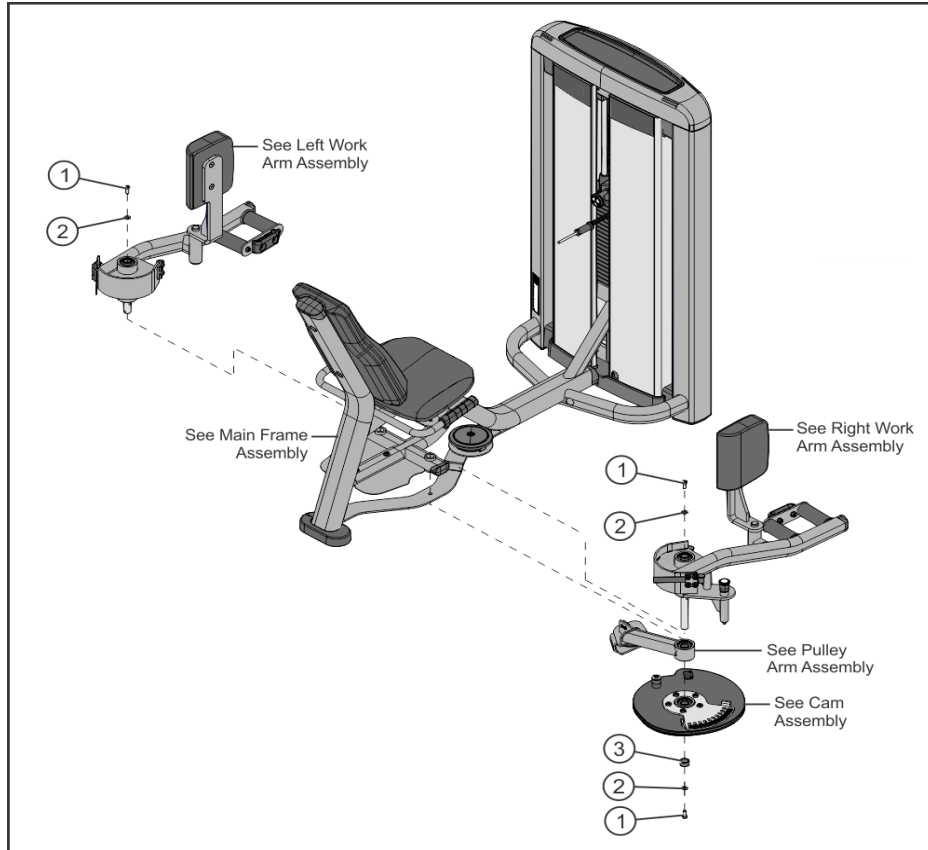
Shroud Wraps



Ref #	Part Number	Qty	Description
1	1003204-0008	1	SHROUD, SS, FNT, LT, SRT, ABS-PSS
1	1003204-0009	1	SHROUD, SS, FNT, LT, SRT, ABS-PBCF
1	1003204-0007	1	SHROUD, SS, FNT, LT, SRT, ABS-SS
1	1003204-0006	1	SHROUD, SS, FNT, LT, SRT, ABS-RSW
1	1003204-0005	1	SHROUD, SS, FNT, LT, SRT, ABS-STM
1	1003204-0004	1	SHROUD, SS, FNT, LT, SRT, ABS-BRZ
1	1003204-0003	1	SHROUD, SS, FNT, LT, SRT, ABS-SKY
1	1003204-0002	1	SHROUD, SS, FNT, LT, SRT, ABS-BAM
2	1003216-0005	1	SHROUD, SS-HAD/HAB, FNT, RT, SRT, ABS-STM
2	1003216-0006	1	SHROUD, SS-HAD/HAB, FNT, RT, SRT, ABS-RSW
2	1003216-0007	1	SHROUD, SS-HAD/HAB, FNT, RT, SRT, ABS-SS
2	1003216-0002	1	SHROUD, SS-HAD/HAB, FNT, RT, SRT, ABS-BAM
2	9512108	1	SHROUD, SS-HAD/HAB, FNT, RT, SRT-PSS
2	1003216-0004	1	SHROUD, SS-HAD/HAB, FNT, RT, SRT, ABS-BRZ
2	1003216-0003	1	SHROUD, SS-HAD/HAB, FNT, RT, SRT, ABS-SKY
2	9512109	1	SHROUD, SS-HAD/HAB, FNT, RT, SRT-PBCF
3	1003205-0009	1	SHROUD, SS, REAR, SRT, ABS-PBCF
3	1003205-0007	1	SHROUD, SS, REAR, SRT, ABS-SS
3	1003205-0006	1	SHROUD, SS, REAR, SRT, ABS-RSW
3	1003205-0005	1	SHROUD, SS, REAR, SRT, ABS-STM
3	1003205-0004	1	SHROUD, SS, REAR, SRT, ABS-BRZ
3	1003205-0003	1	SHROUD, SS, REAR, SRT, ABS-SKY

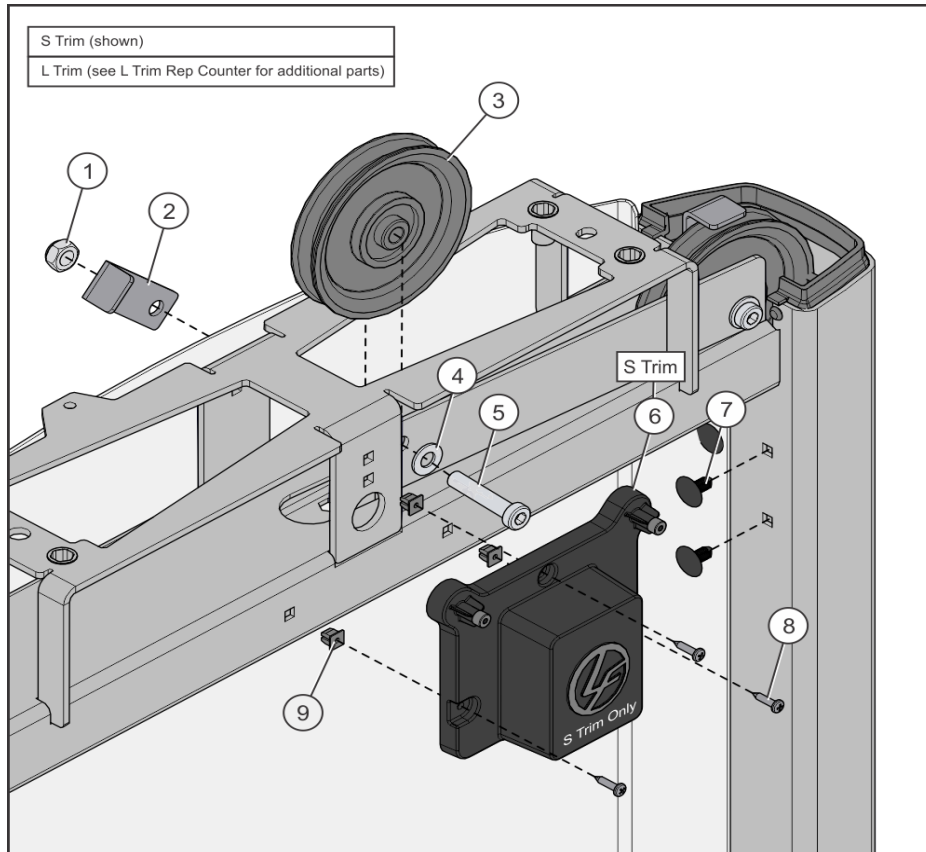
Ref #	Part Number	Qty	Description
3	1003205-0002	1	SHROUD, SS, REAR, SRT, ABS-BAM
3	1003205-0008	1	SHROUD, SS, REAR, SRT, ABS-PSS
4	AK58-00245-2401	1	MEDALLION-ASSY: BUG, LIFE FITNESS, CHARCOAL GRAY

Sub Assemblies



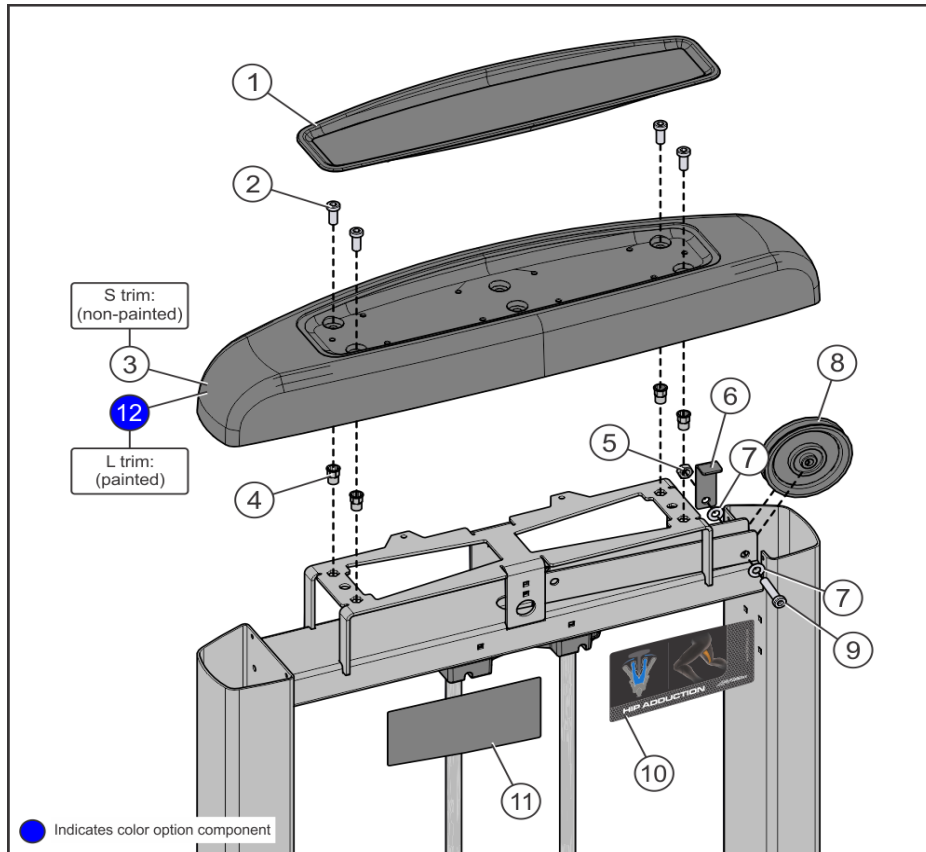
Ref #	Part Number	Qty	Description
1	3236202	3	M10 X 1.5 X 25 SHCS, LOW HEAD
2	3236601	3	WASHER, 3/8 SAE STAINLESS STEEL
3	7330002	1	SPACER, INTERNAL X .653

S and L Trim Tower Top



Ref #	Part Number	Qty	Description
1	3236801	1	NUT, NYLOCK M10 X 1.5 SS
2	6757701	1	CLIP, CABLE 2-7/8 X 1 X 1
3	9319901	1	PULLEY, 3/16 IN CABLE (T2), 4.5 IN OD
4	3236601	1	WASHER, 3/8 SAE STAINLESS STEEL
5	3236207	1	M10 X 1.5 X 50 SHCS, LOW HEAD
6	1006334-0001	1	ASSY, DUMMY HOUSING
7	1006620-0001	2	RETAINER: PANEL, 9/32 X 1/2 NYL
8	3275801	3	SCREW, 8 X 3/4 DIN PHL PAN AB ST ZB
9	0017-00042-1147	3	GROMMET: SCREW, 8 OR 10

Tower Top



Ref #	Part Number	Qty	Description
1	9411201	1	TRAY, TOWER TOP CAP
2	3236202	4	M10 X 1.5 X 25 SHCS, LOW HEAD
3	9436701	1	CAP, TOWER, TOP, PLASTIC
4	3238601	4	M10X1.5 BLIND THREADED INSERT (HEX)
5	3236801	1	NUT, NYLOCK M10 X 1.5 SS
6	6757701	1	CLIP, CABLE 2-7/8 X 1 X 1
7	3236601	2	WASHER, 3/8 SAE STAINLESS STEEL
8	9319901	1	PULLEY, 3/16 IN CABLE (T2), 4.5 IN OD
9	3236208	1	M10 X 1.5 X 55 SHCS, LOW HEAD
10	1019787-0000	1	LABEL: SS-HAA PLACARD, RH
11	1019828-0000	1	LABEL: SS-HAA PLACARD, LH
11	1019786-0000	1	LABEL: IS-HAA PLACARD, TRACK, LH
12	9412600	1	CAP, SS, CAST Custom

