

# INSIGNIA SERIES CALF EXTENSION CLASS X

SS-CE-5417474-X

## Parts Manual

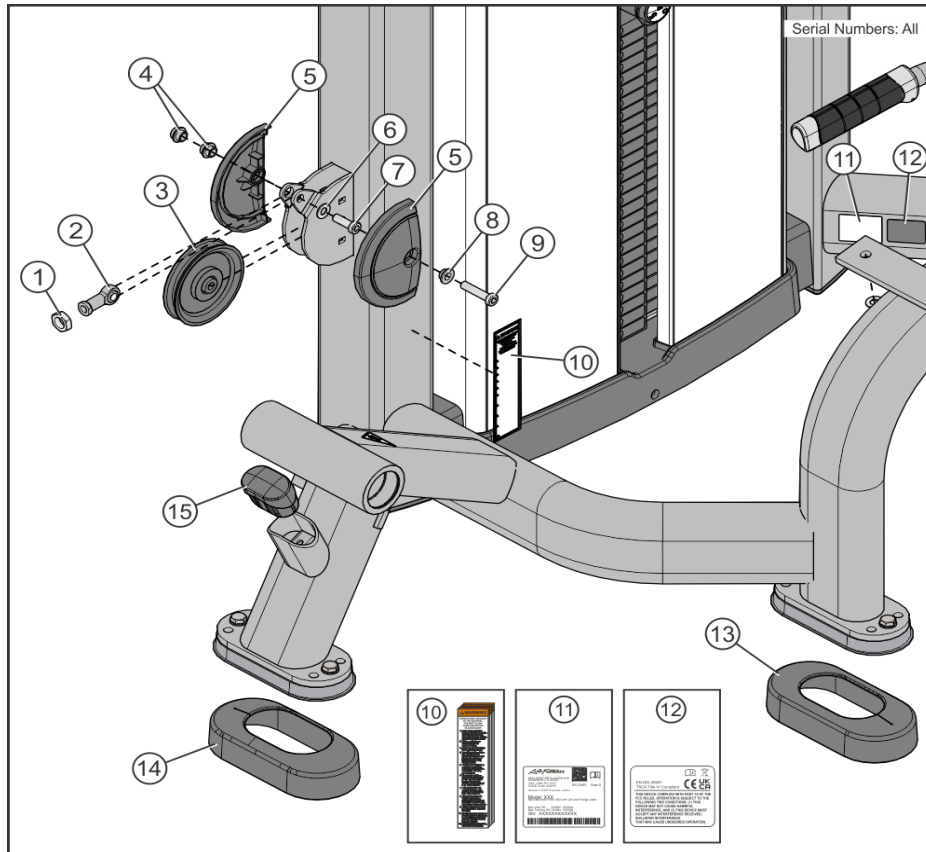
4/12/2025 11:05:27 AM

**Table of Contents**

---

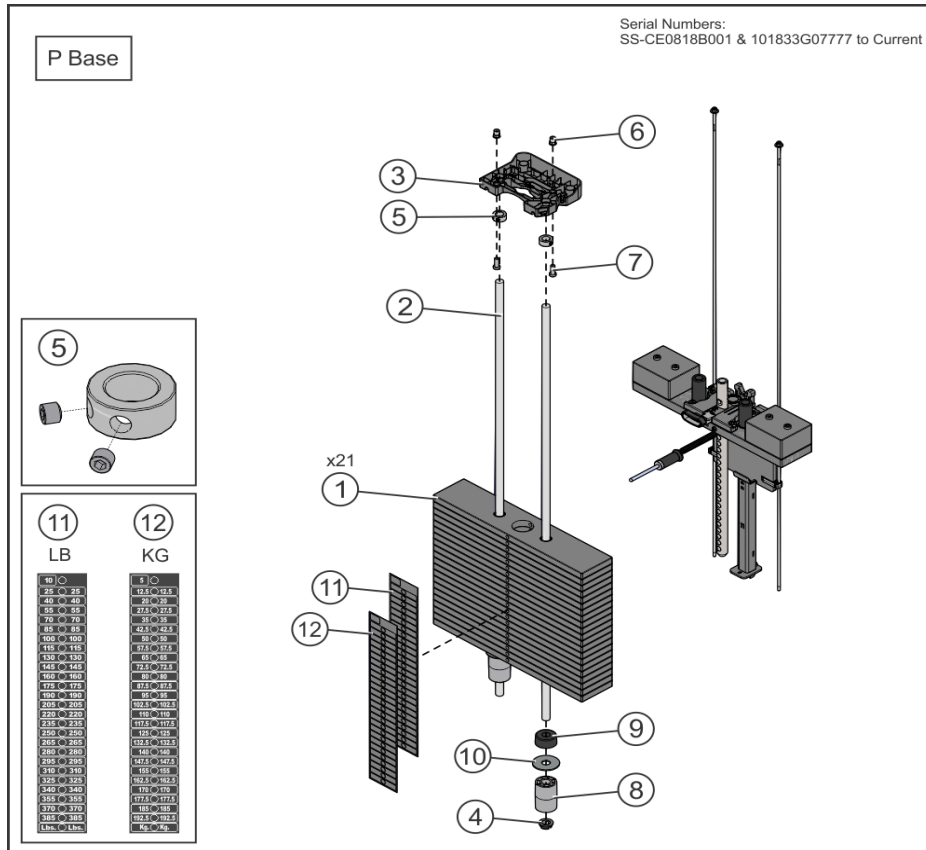
|   |                    |
|---|--------------------|
| <a href="#">Base.....</a>                                       | <a href="#">3</a>  |
| <a href="#">Base P-Stack.....</a>                               | <a href="#">4</a>  |
| <a href="#">Base T-Stack Head Plate Assy (previous).....</a>    | <a href="#">5</a>  |
| <a href="#">Base T-Stack (previous).....</a>                    | <a href="#">6</a>  |
| <a href="#">Cables.....</a>                                     | <a href="#">7</a>  |
| <a href="#">C and X Head Plate.....</a>                         | <a href="#">8</a>  |
| <a href="#">C and X Increment Weights.....</a>                  | <a href="#">9</a>  |
| <a href="#">Frame Painted Items.....</a>                        | <a href="#">10</a> |
| <a href="#">Full Shroud.....</a>                                | <a href="#">11</a> |
| <a href="#">Heavy X-Stack.....</a>                              | <a href="#">12</a> |
| <a href="#">Heavy X-Stack (previous).....</a>                   | <a href="#">13</a> |
| <a href="#">Light C-Stack.....</a>                              | <a href="#">14</a> |
| <a href="#">Light C-Stack (previous).....</a>                   | <a href="#">15</a> |
| <a href="#">L Trim Rep Counter.....</a>                         | <a href="#">16</a> |
| <a href="#">Previous C and X Increment Weights.....</a>         | <a href="#">17</a> |
| <a href="#">Previous C and X Increment Weight Assembly.....</a> | <a href="#">18</a> |
| <a href="#">P-Stack Head Plate Assy.....</a>                    | <a href="#">19</a> |
| <a href="#">P-Stack Increment Weight.....</a>                   | <a href="#">20</a> |
| <a href="#">Rear Shroud.....</a>                                | <a href="#">21</a> |
| <a href="#">Seat Assembly.....</a>                              | <a href="#">22</a> |
| <a href="#">Shroud Wraps.....</a>                               | <a href="#">24</a> |
| <a href="#">S and L Trim Tower Top.....</a>                     | <a href="#">26</a> |
| <a href="#">Tower Top.....</a>                                  | <a href="#">27</a> |
| <a href="#">Work Arm.....</a>                                   | <a href="#">28</a> |

**Base**

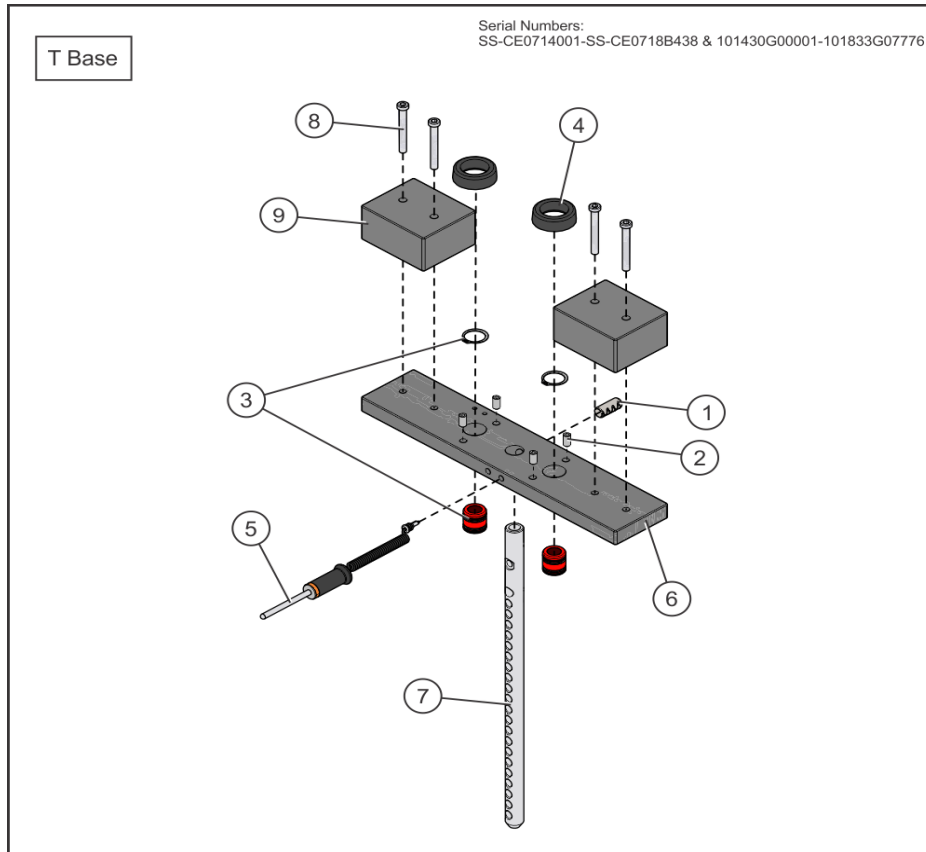


| Ref # | Part Number | Qty | Description                           |
|-------|-------------|-----|---------------------------------------|
| 1     | 3236902     | 1   | NUT, HEX JAM M16 X 2 SS               |
| 2     | 3237901     | 1   | ROD END, METRIC FEMALE                |
| 3     | 9319901     | 1   | PULLEY, 3/16 IN CABLE (T2), 4.5 IN OD |
| 4     | 7335401     | 2   | NUT, M10 X 1.5 SOCKET HEAD            |
| 5     | 8094102     | 2   | COVER, PULLEY -BOLTED PARTIAL -CHGR   |
| 6     | 3236601     | 1   | WASHER, 3/8 SAE STAINLESS STEEL       |
| 7     | 3236203     | 1   | M10 X 1.5 X 30 SHCS, LOW HEAD         |
| 8     | 7630101     | 1   | RETAINER, CM/MJ, PULLEY               |
| 9     | 3236206     | 1   | M10 X 1.5 X 45 SHCS, LOW HEAD         |
| 10    | 8220000     | 1   | LABEL, ASTM WARNING FW SELECT         |
| 11    | 7571301     | 1   | LABEL, SERIAL NUMBER                  |
| 12    | 9488901     | 1   | LABEL, INSIGNIA, FCC                  |
| 13    | 9319401     | 1   | COVER, FOOT -STRT                     |
| 14    | 9461401     | 1   | COVER, FOOT -20 deg                   |
| 15    | 7333802     | 1   | CAP, SMALL FLOV-END                   |

### Base P-Stack

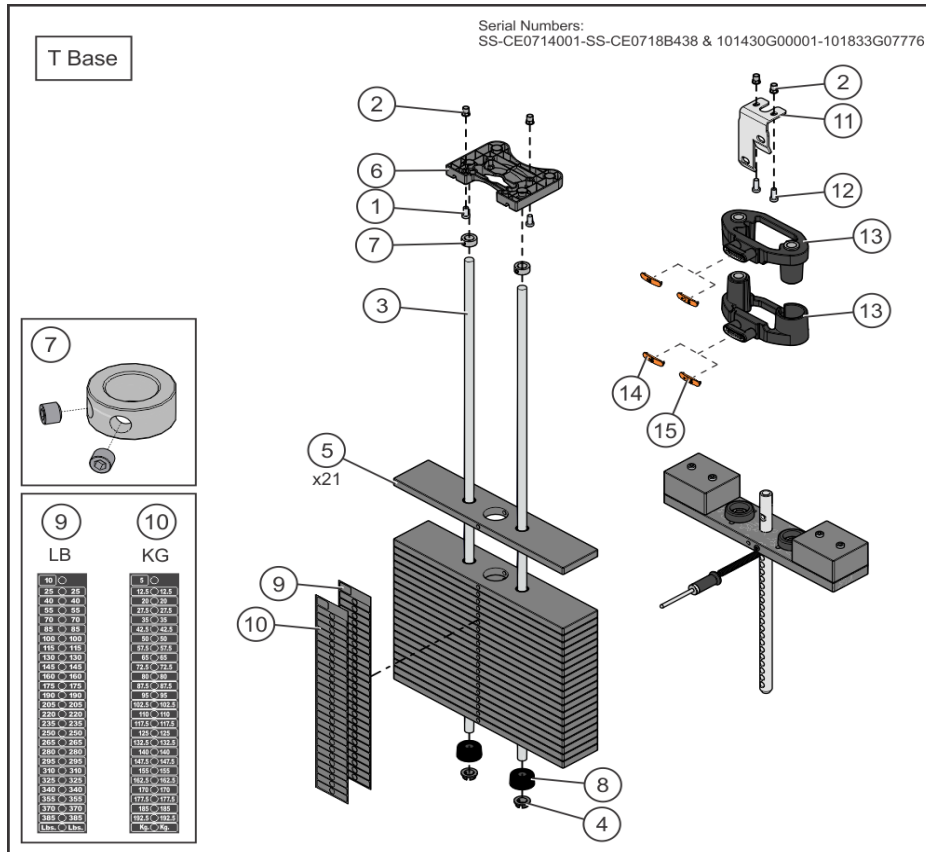


## Base T-Stack Head Plate Assy (previous)



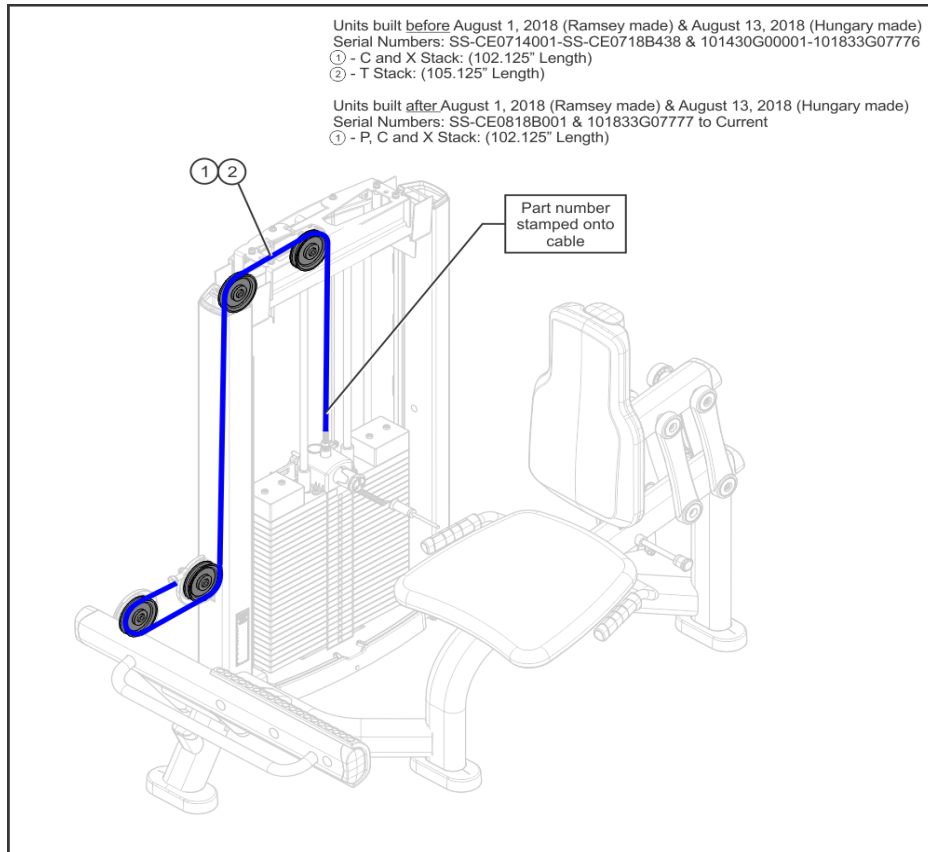
| Ref # | Part Number  | Qty | Description                        |
|-------|--------------|-----|------------------------------------|
| 1     | 3236001      | 1   | BUSHING, SPRING PIN                |
| 2     | 3240501      | 4   | M10 X 1.5 X 20 HXS NO CUP ST BO    |
| 3     | 7338001      | 2   | BUSHING, HEADPLATE                 |
| 4     | 7767602      | 2   | BUMPER, INCREMENT WT -BLK          |
| 5     | 1003679-0003 | 1   | ASSY, WGT STK SEL PIN -YEL         |
| 6     | 9431101      | 1   | HEADPLATE, WT. STACK, 20LB         |
| 7     | 9434203      | 1   | BAYONET, 21 PLATE                  |
| 8     | 9433302      | 4   | COUNTER WEIGHT, HEAD PLATE, 12.5LB |
| 9     | 3236213      | 2   | M10 X 1.5 X 80 SHCS, LOW HEAD      |

# Base T-Stack (previous)



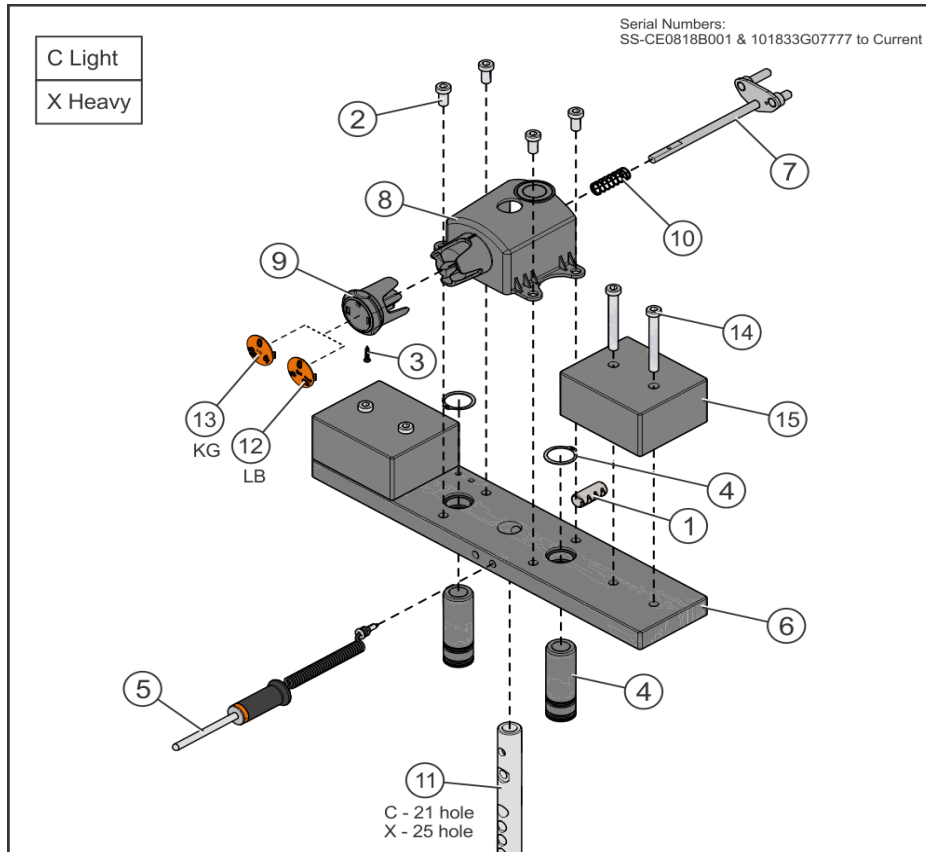
| Ref # | Part Number  | Qty | Description                         |
|-------|--------------|-----|-------------------------------------|
| 1     | 3236203      | 2   | M10 X 1.5 X 30 SHCS, LOW HEAD       |
| 2     | 3238601      | 4   | M10X1.5 BLIND THREADED INSERT (HEX) |
| 3     | 7328612      | 2   | GUIDE ROD, .75 OD SOLID X 50.36     |
| 4     | 7337901      | 2   | BUSHING, GUIDE ROD                  |
| 5     | 9407601      | 21  | WGT PL, 3/4IN X 4IN, 15LB           |
| 6     | 1015452-0001 | 1   | RETAINER: GUIDE ROD, NYL            |
| 7     | 3103301      | 2   | SHAFT COLLAR, 3/4" ID ZINC          |
| 8     | 7352101      | 2   | CUSHION, WEIGHT STACK               |
| 9     | 9475101      | 1   | LABEL, 3/4 IN WGT STACK, 385 LB     |
| 10    | 9475401      | 1   | LABEL, 3/4 IN WGT STACK, 192.5 KG   |
| 11    | 9430801      | 1   | BRKT, INC WGT STRIKER               |
| 12    | 3236202      | 2   | M10 X 1.5 X 25 SHCS, LOW HEAD       |
| 13    | 9455403      | 2   | ASSY, DD INC WGT -YEL               |
| 14    | 9462303      | 1   | CAP, DD INC WGT, YEL -LBS           |
| 15    | 9462403      | 1   | CAP, DD INC WGT, YEL -KG            |

**Cables**



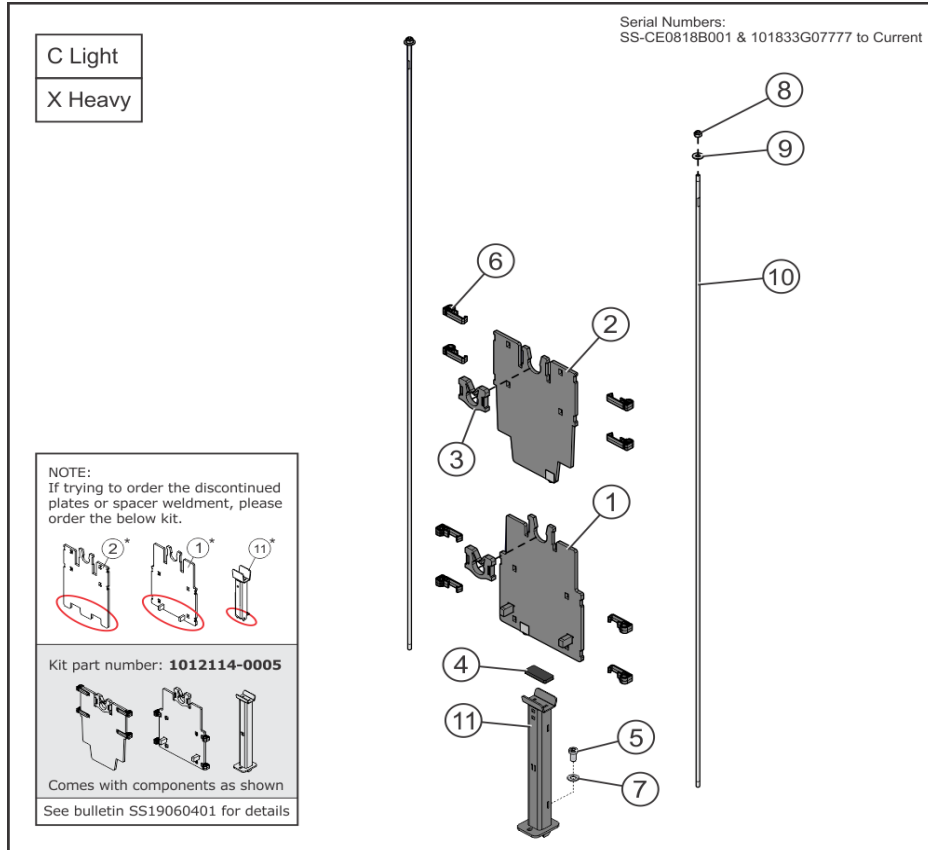
| Ref # | Part Number | Qty | Description        |
|-------|-------------|-----|--------------------|
| 1     | 9498802     | 1   | CABLE, SS-CE, DIAL |
| 2     | 9498801     | 1   | CABLE, SS-CE, DROP |

## C and X Head Plate



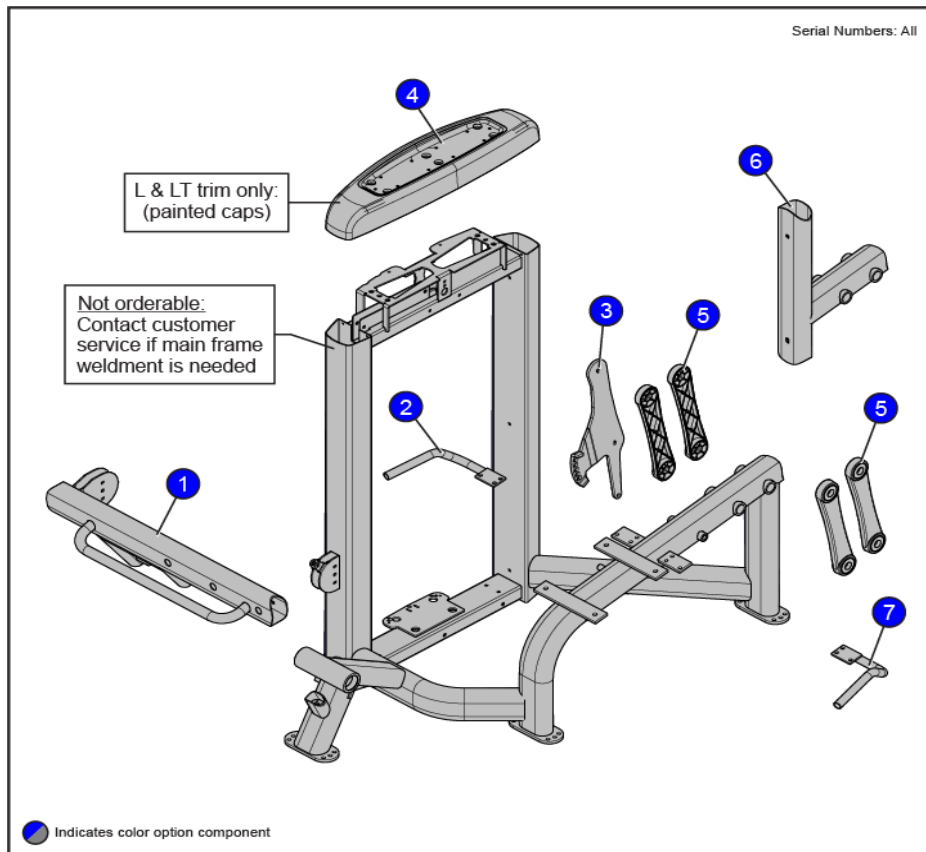
| Ref # | Part Number  | Qty | Description                         |
|-------|--------------|-----|-------------------------------------|
| 1     | 3236001      | 1   | BUSHING, SPRING PIN                 |
| 2     | 3236201      | 4   | M10 X 1.5 X 20 SHCS, LOW HEAD       |
| 3     | 3275601      | 1   | SCREW, 6 X 3/4 DIN PHL PAN AB ST ZB |
| 4     | 9296001      | 2   | BUSHING, HEADPLATE, LONG            |
| 5     | 1003679-0003 | 1   | ASSY, WGT STK SEL PIN -YEL          |
| 6     | 9431101      | 1   | HEADPLATE, WT. STACK, 20LB          |
| 7     | 1010800-0001 | 1   | WLDMT, INC WGT PIN                  |
| 8     | 1017209-0001 | 1   | HOUSING: INC WEIGHT                 |
| 9     | 9443201      | 1   | KNOB, INC WEIGHT                    |
| 10    | 9443301      | 1   | SPRING, INC WGT PIN                 |
| 11    | 9426003      | 1   | BAYONET, 25 PLATE                   |
| 11    | 9434203      | 1   | BAYONET, 21 PLATE                   |
| 12    | 9431403      | 1   | CAP, SELECTOR KNOB -LBS             |
| 13    | 9450103      | 1   | CAP, SELECTOR KNOB -KGS             |
| 14    | 3236205      | 4   | M10 X 1.5 X 40 SHCS, LOW HEAD       |
| 15    | 9433302      | 2   | COUNTER WEIGHT, HEAD PLATE, 12.5LB  |

**C and X Increment Weights**



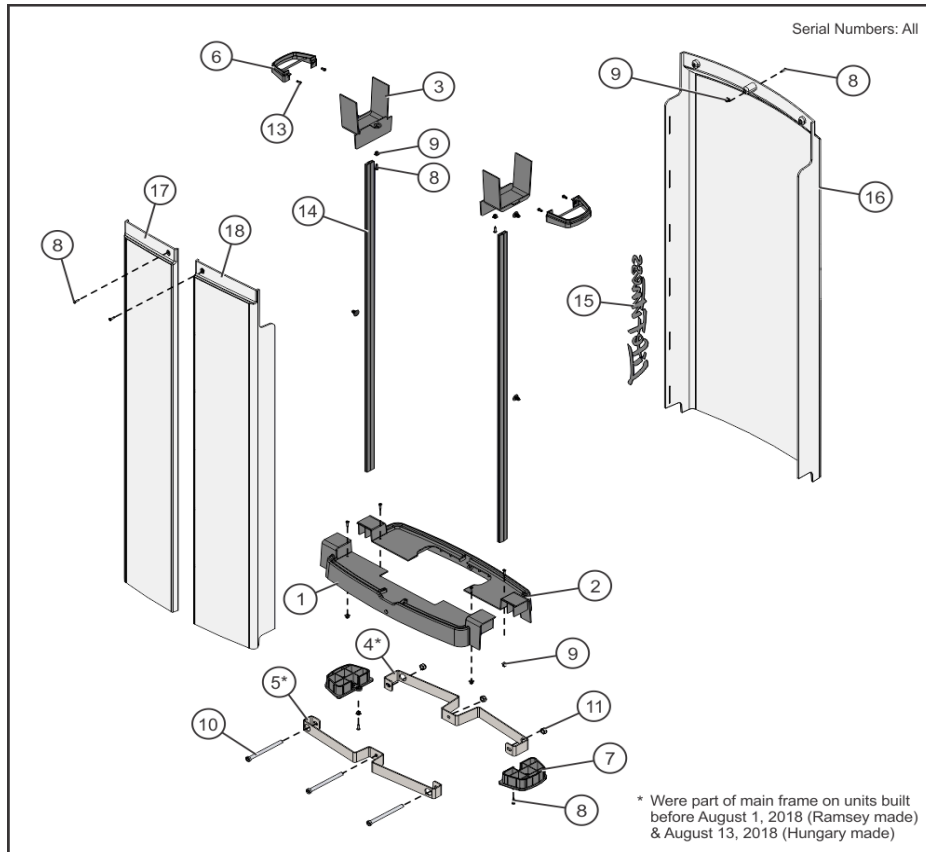
| Ref # | Part Number  | Qty | Description                                  |
|-------|--------------|-----|--|
| 1     | 1010971-2801 | 1   | WLDMT: INC WEIGHT, 5LB, REAR -CHR            |
| 2     | 1010970-2801 | 1   | PLATE: INC WEIGHT, 5LB, FRONT, 1/4" -CHR     |
| 3     | 1008920-0001 | 2   | GUARD: INCREMENT WEIGHT, 0.25                |
| 4     | 1008552-0001 | 1   | BUMPER: EA FOAM, INC WEIGHT                  |
| 5     | 3236201      | 1   | M10 X 1.5 X 20 SHCS, LOW HEAD                |
| 6     | 1010803-0001 | 8   | GUIDE ROD ASSY: INCR WT, 1/4", CHARCOAL GRAY |
| 7     | 3236601      | 1   | WASHER, 3/8 SAE STAINLESS STEEL              |
| 8     | 3102806      | 2   | NUT, NYLOCK 1/4-20                           |
| 9     | 3102506      | 2   | WASHER, FLAT 1/4 ID ZN                       |
| 10    | 1008192-0002 | 2   | GUIDE ROD: 0.25 OD SOLID, 54.75"             |
| 11    | 1018163-2801 | 1   | WLDMT: BRACKET, INC WEIGHT SPACER, 11" -CHR  |

## Frame Painted Items



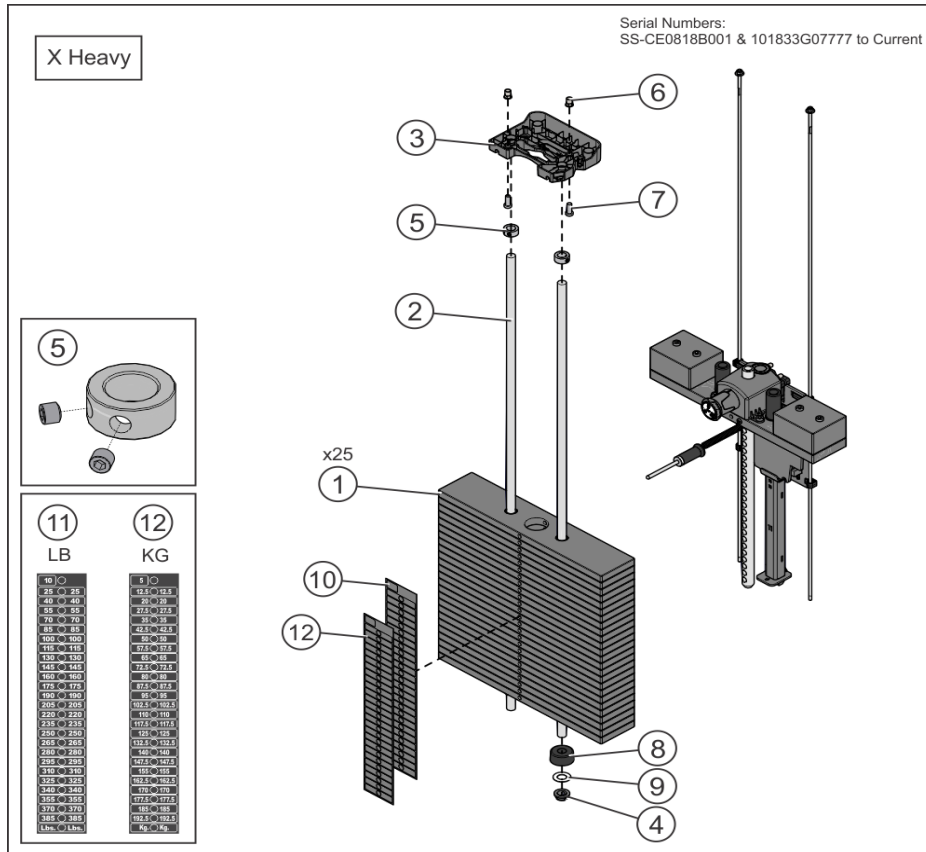
| Ref # | Part Number  | Qty | Description                      |
|-------|--------------|-----|----------------------------------|
| 1     | 1006432-0000 | 1   | WLDMT, SS-CE FOOT PIVOT Custom   |
| 2,7   | 9343500      | 2   | WLDMT, SS-LE, HANDLE LEFT Custom |
| 3     | 1001359-0000 | 1   | PLATE, CE, BACK ADJ Custom       |
| 4     | 9412600      | 1   | CAP, SS, CAST Custom             |
| 5     | 1003845-0000 | 1   | LINK, SS, SEAT BACK Custom       |
| 6     | 9458500      | 1   | WLDMT, SS, BACK PAD SPPRT Custom |

### Full Shroud



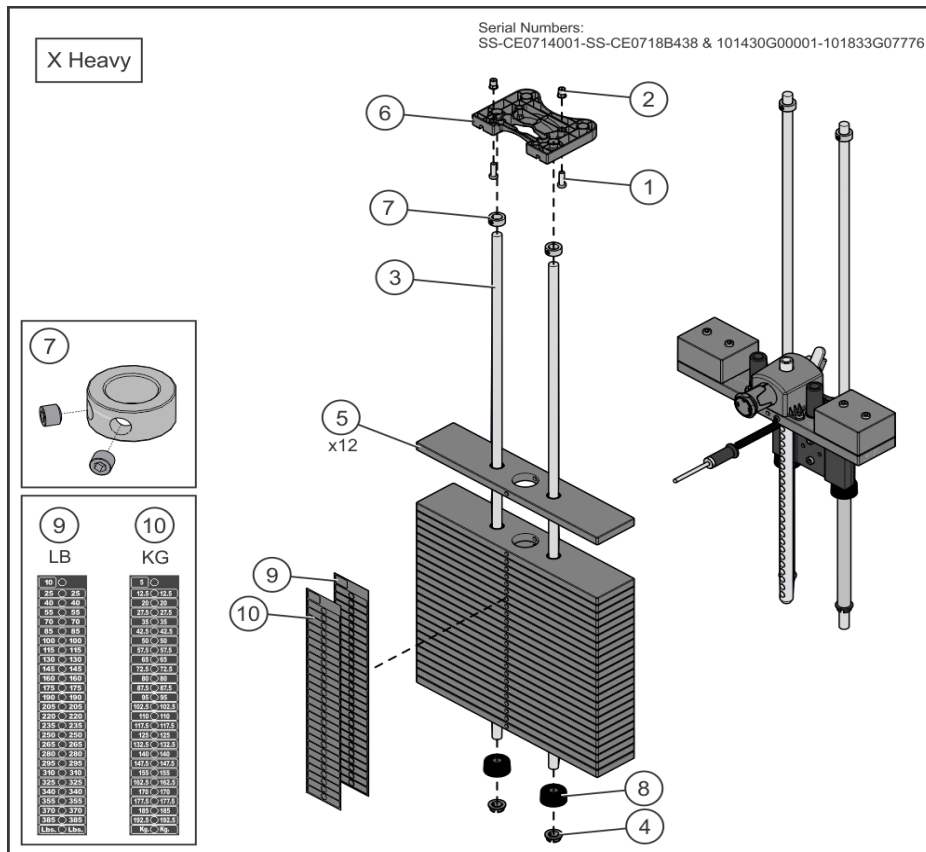
| Ref # | Part Number     | Qty | Description                         |
|-------|-----------------|-----|-------------------------------------|
| 1     | 9410801         | 1   | COVER, TOWER BOTTOM -FRONT          |
| 2     | 1007064-0001    | 1   | COVER: TOWER BOTTOM, REAR           |
| 3     | 9415701         | 2   | COVER, SS, TWR                      |
| 4     | 1007623-0001    | 1   | BRACKET: TOWER GUARD, REAR          |
| 5     | 1007622-0001    | 1   | BRACKET: TOWER GUARD, FRONT         |
| 6     | 9415801         | 2   | GASKET, TRAP TUBE                   |
| 7     | 9412701         | 2   | ASSY, TRAP TUBE, CAP -BTM           |
| 8     | 3275801         | 11  | SCREW, 8 X 3/4 DIN PHL PAN AB ST ZB |
| 9     | 0017-00042-1147 | 9   | GROMMET: SCREW, 8 OR 10             |
| 10    | 3236220         | 3   | M10 X 1.5 X 130 SHCS, LOW HEAD      |
| 11    | 3236801         | 3   | NUT, NYLOCK M10 X 1.5 SS            |
| 12    | 1006620-0001    | 4   | RETAINER: PANEL, 9/32 X 1/2 NYL     |
| 13    | 0017-00101-1587 | 4   | RVT 201X0413X.354 T NY NO           |
| 14    | 9414601         | 2   | SHROUD EXTRUSION - SHORT            |
| 15    | 9489101         | 1   | LABEL, LIFE FITNESS, 20IN.          |
| 16    | 9489001         | 1   | SHROUD, SS, REAR, SRT               |
| 17    | 9410601         | 1   | SHROUD, TOWER FRONT, LT - SHORT     |
| 18    | 9410701         | 1   | SHROUD, TOWER FRONT, RT - SHORT     |

### Heavy X-Stack



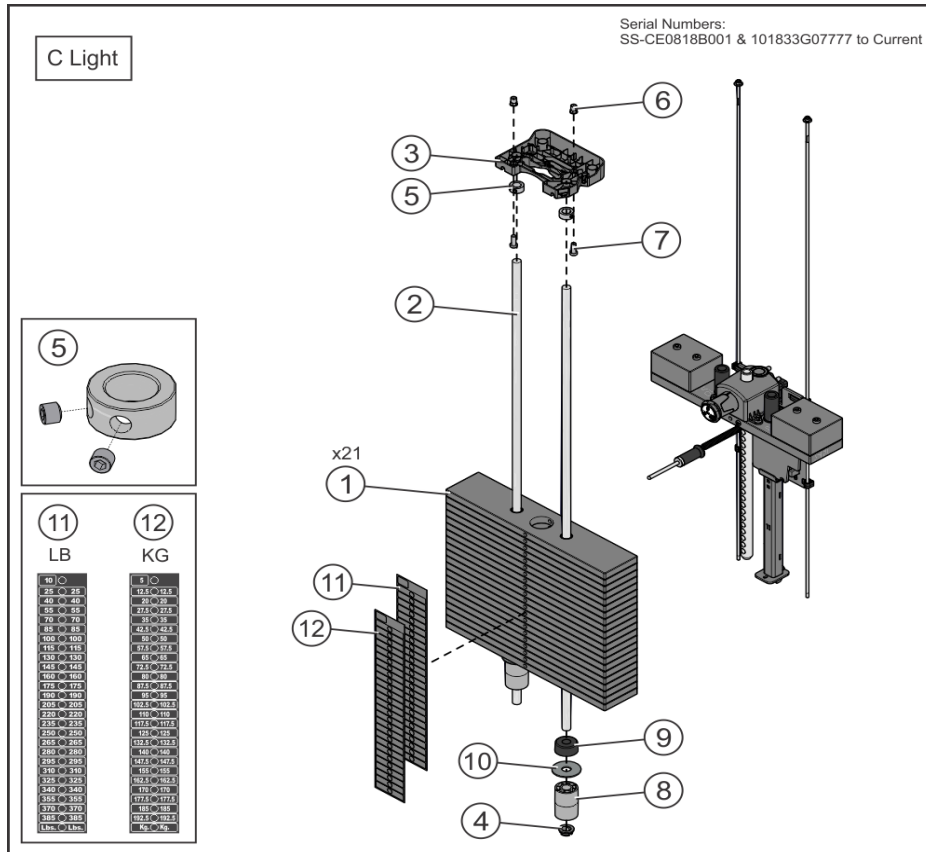
| Ref # | Part Number  | Qty | Description                         |
|-------|--------------|-----|-------------------------------------|
| 1     | 9407601      | 25  | WGT PL, 3/4IN X 4IN, 15LB           |
| 2     | 7328612      | 2   | GUIDE ROD, .75 OD SOLID X 50.36     |
| 3     | 1015452-0001 | 1   | RETAINER: GUIDE ROD, NYL            |
| 4     | 7337901      | 2   | BUSHING, GUIDE ROD                  |
| 5     | 3103301      | 2   | SHAFT COLLAR, 3/4" ID ZINC          |
| 6     | 3238601      | 2   | M10X1.5 BLIND THREADED INSERT (HEX) |
| 7     | 3236202      | 2   | M10 X 1.5 X 25 SHCS, LOW HEAD       |
| 8     | 7352101      | 2   | CUSHION, WEIGHT STACK               |
| 9     | 7351001      | 2   | SPACER, INC WT STACK                |
| 10    | 9475101      | 1   | LABEL, 3/4 IN WGT STACK, 385 LB     |
| 11    | 9475401      | 1   | LABEL, 3/4 IN WGT STACK, 192.5 KG   |

# Heavy X-Stack (previous)

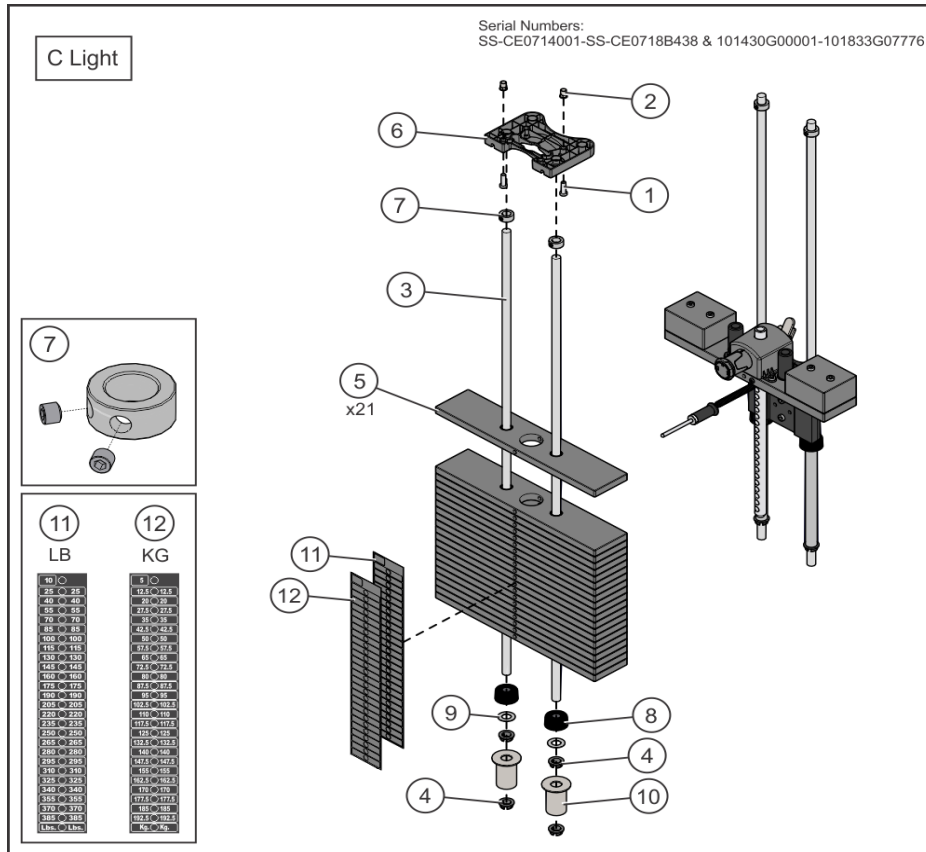


| Ref # | Part Number  | Qty | Description                         |
|-------|--------------|-----|-------------------------------------|
| 1     | 3236202      | 2   | M10 X 1.5 X 25 SHCS, LOW HEAD       |
| 2     | 3238601      | 2   | M10X1.5 BLIND THREADED INSERT (HEX) |
| 3     | 7328612      | 2   | GUIDE ROD, .75 OD SOLID X 50.36     |
| 4     | 7337901      | 4   | BUSHING, GUIDE ROD                  |
| 5     | 9407601      | 25  | WGT PL, 3/4IN X 4IN, 15LB           |
| 6     | 1015452-0001 | 1   | RETAINER: GUIDE ROD, NYL            |
| 7     | 3103301      | 2   | SHAFT COLLAR, 3/4" ID ZINC          |
| 8     | 7352101      | 2   | CUSHION, WEIGHT STACK               |
| 9     | 9475101      | 1   | LABEL, 3/4 IN WGT STACK, 385 LB     |
| 10    | 9475401      | 1   | LABEL, 3/4 IN WGT STACK, 192.5 KG   |

Light C-Stack

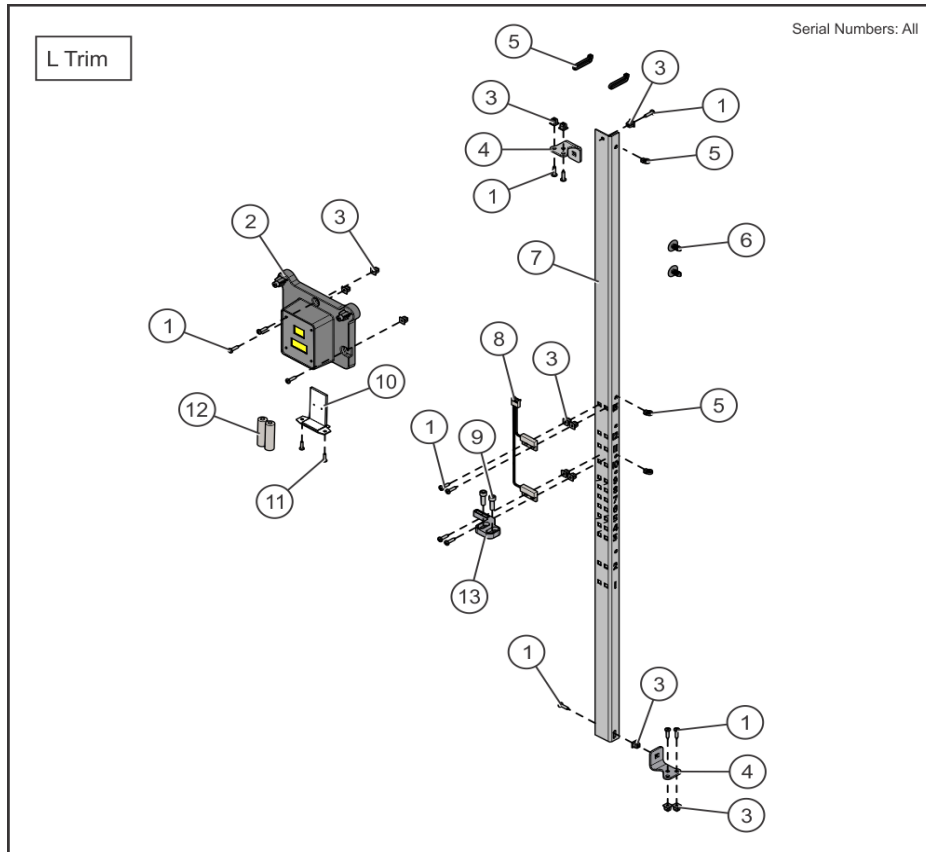


# Light C-Stack (previous)



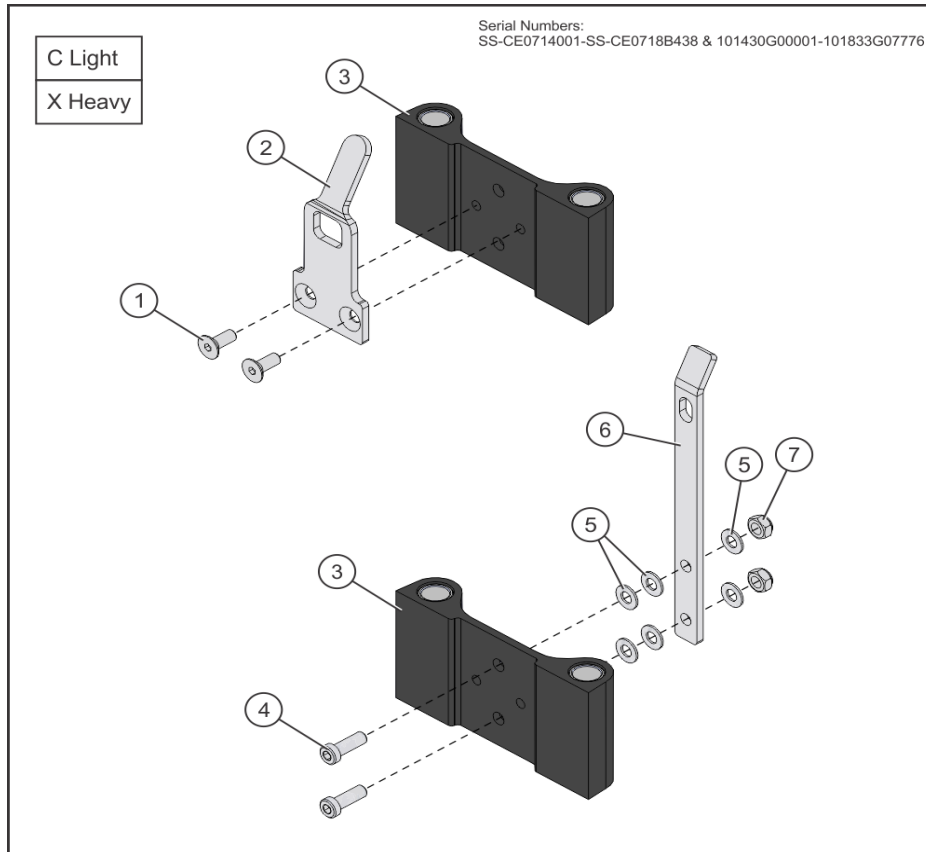
| Ref # | Part Number  | Qty | Description                         |
|-------|--------------|-----|-------------------------------------|
| 1     | 3236202      | 2   | M10 X 1.5 X 25 SHCS, LOW HEAD       |
| 2     | 3238601      | 2   | M10X1.5 BLIND THREADED INSERT (HEX) |
| 3     | 7328612      | 2   | GUIDE ROD, .75 OD SOLID X 50.36     |
| 4     | 7337901      | 4   | BUSHING, GUIDE ROD                  |
| 5     | 9407601      | 21  | WGT PL, 3/4IN X 4IN, 15LB           |
| 6     | 1015452-0001 | 1   | RETAINER: GUIDE ROD, NYL            |
| 7     | 3103301      | 2   | SHAFT COLLAR, 3/4" ID ZINC          |
| 8     | 7352101      | 2   | CUSHION, WEIGHT STACK               |
| 9     | 7351001      | 2   | SPACER, INC WT STACK                |
| 10    | 9495913      | 2   | WLDMT, WGT STK SPACER X 3.00 -CHR   |
| 11    | 9475101      | 1   | LABEL, 3/4 IN WGT STACK, 385 LB     |
| 12    | 9475401      | 1   | LABEL, 3/4 IN WGT STACK, 192.5 KG   |

# L Trim Rep Counter



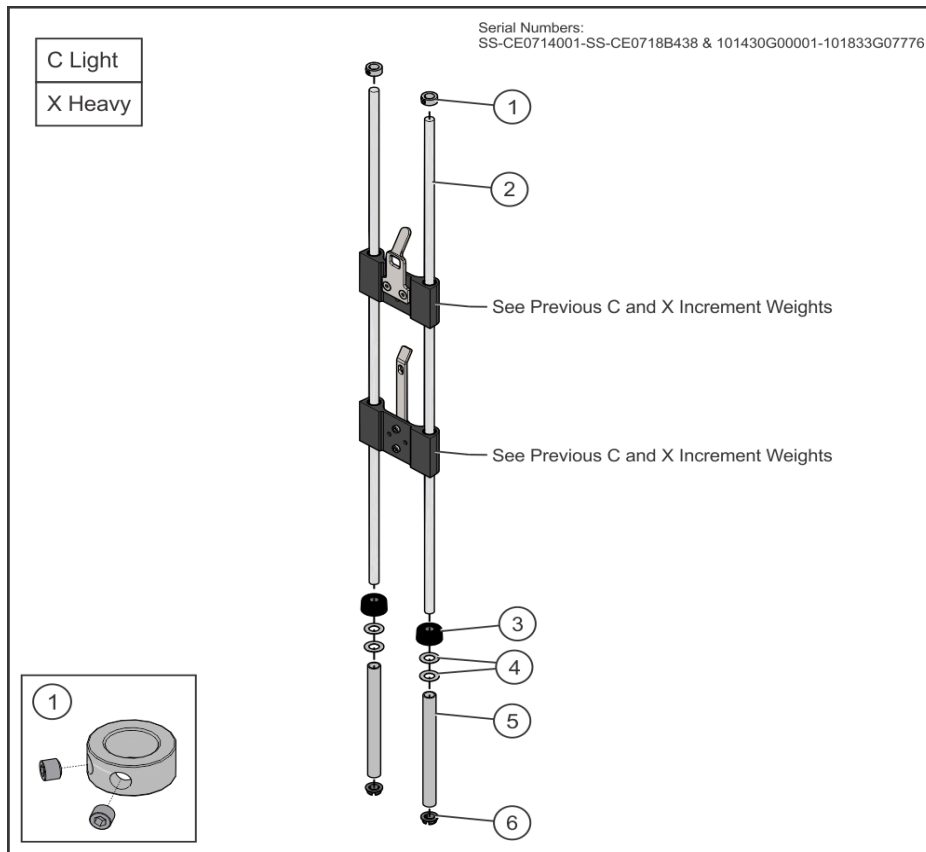
| Ref # | Part Number     | Qty | Description                         |
|-------|-----------------|-----|-------------------------------------|
| 1     | 3275801         | 13  | SCREW, 8 X 3/4 DIN PHL PAN AB ST ZB |
| 2,8   | 1008199-0001    | 2   | ASSY: REP COUNTER/SWITCH/MAGNET     |
| 3     | 0017-00042-1147 | 13  | GROMMET: SCREW, 8 OR 10             |
| 4     | 1007269-0028    | 2   | BRACKET: RAIL MOUNT, REP CNTR -CHR  |
| 5     | 3276501         | 5   | CABLE TIE 11 IN.                    |
| 6     | 1006620-0001    | 2   | RETAINER: PANEL, 9/32 X 1/2 NYL     |
| 7     | 1008003-0028    | 1   | BRACKET: SWITCH MNT, STD -CHR       |
| 9     | 3241701         | 2   | M6 X 1 X 20MM SHCS, STD HEAD        |
| 10    | 9436401         | 1   | DOOR, BATTERY PACK MOUNT            |
| 11    | 3226003         | 2   | 6-20 X 8 PHL PAN PLT ST BZ          |
| 12    | 3276401         | 2   | BATTERY, AA                         |
| 13    | 1007177-0001    | 1   | ASSY: MAGNET, REP CNTR DCI          |

## Previous C and X Increment Weights



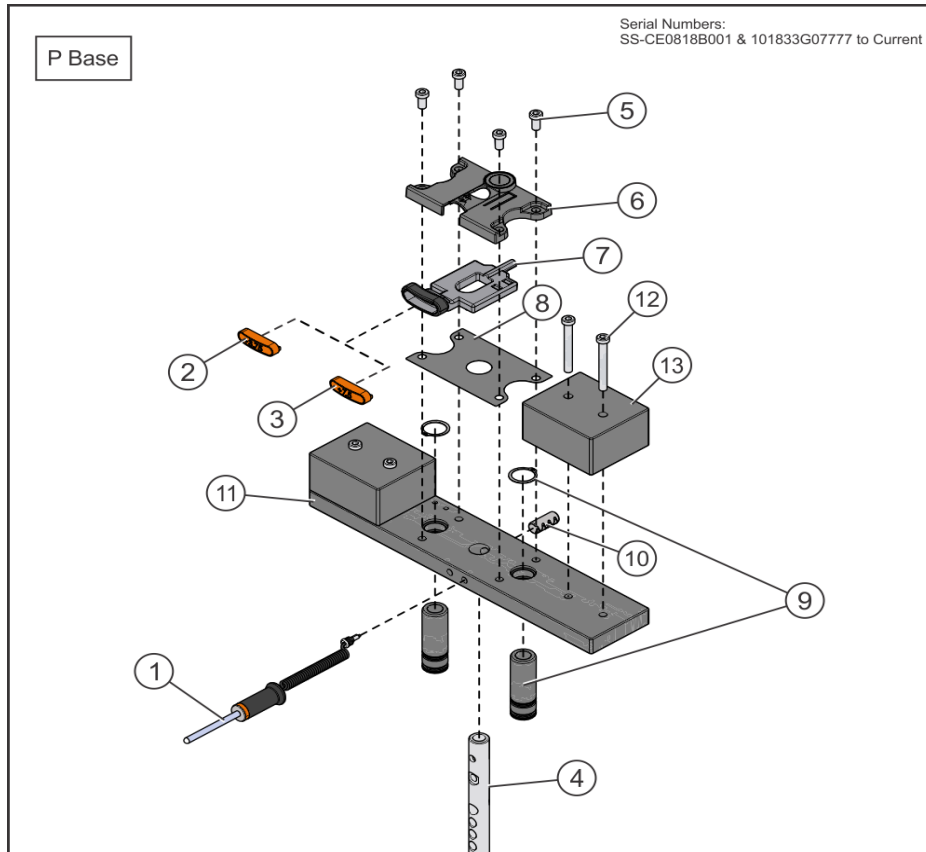
| Ref # | Part Number  | Qty | Description                                    |
|-------|--------------|-----|--|
| 1     | 3238302      | 2   | SCREW, M10 FLTHD X 25MM                        |
| 2     | 9428201      | 1   | BRKT, INC WGT -5LB                             |
| 3     | 9439701      | 2   | ASSY, INC WGT, SUB                             |
| 4     | 3275503      | 2   | SCREW, M10 X 1.5 X 30 SHCS, LOW HEAD -NO PATCH |
| 5     | 3236601      | 4   | WASHER, 3/8 SAE STAINLESS STEEL                |
| 6     | 1001007-0001 | 1   | BRKT, INC WGT -10LB                            |
| 7     | 3236801      | 2   | NUT, NYLOCK M10 X 1.5 SS                       |

## Previous C and X Increment Weight Assembly



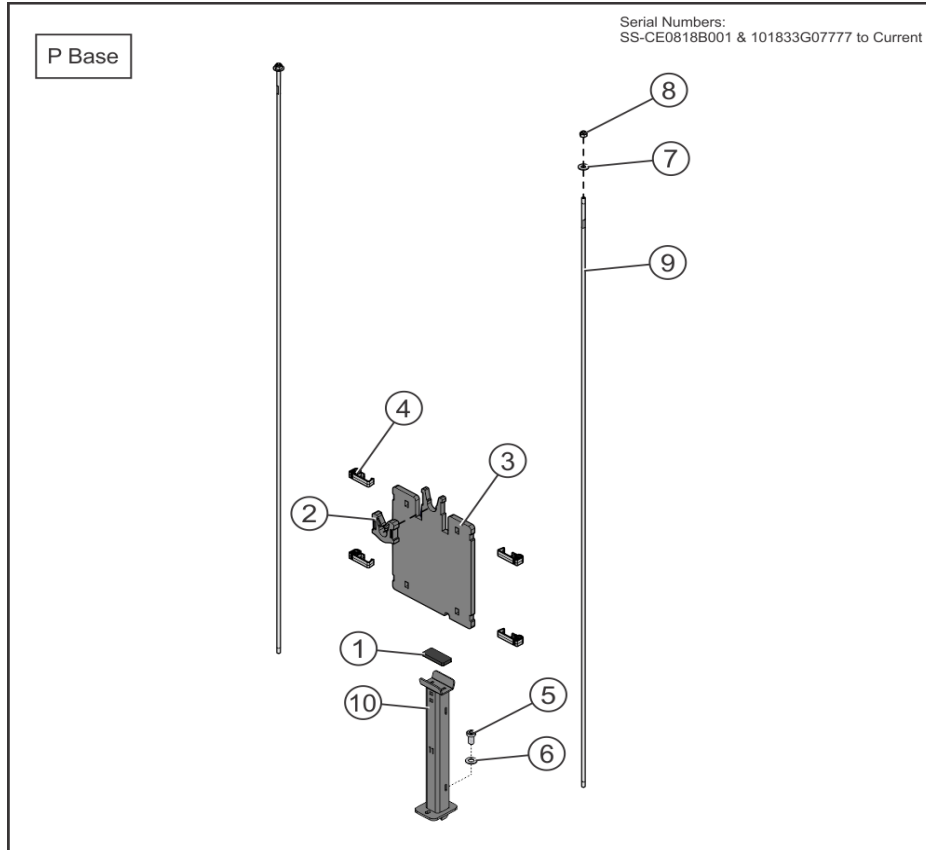
| Ref # | Part Number | Qty | Description                     |
|-------|-------------|-----|---------------------------------|
| 1     | 3103301     | 2   | SHAFT COLLAR, 3/4" ID ZINC      |
| 2     | 7328612     | 2   | GUIDE ROD, .75 OD SOLID X 50.36 |
| 3     | 7352101     | 2   | CUSHION, WEIGHT STACK           |
| 4     | 7351001     | 4   | SPACER, INC WT STACK            |
| 5     | 7328703     | 2   | SPACER, INC WT STACK 25 PLATE   |
| 6     | 7337901     | 2   | BUSHING, GUIDE ROD              |

# P-Stack Head Plate Assy



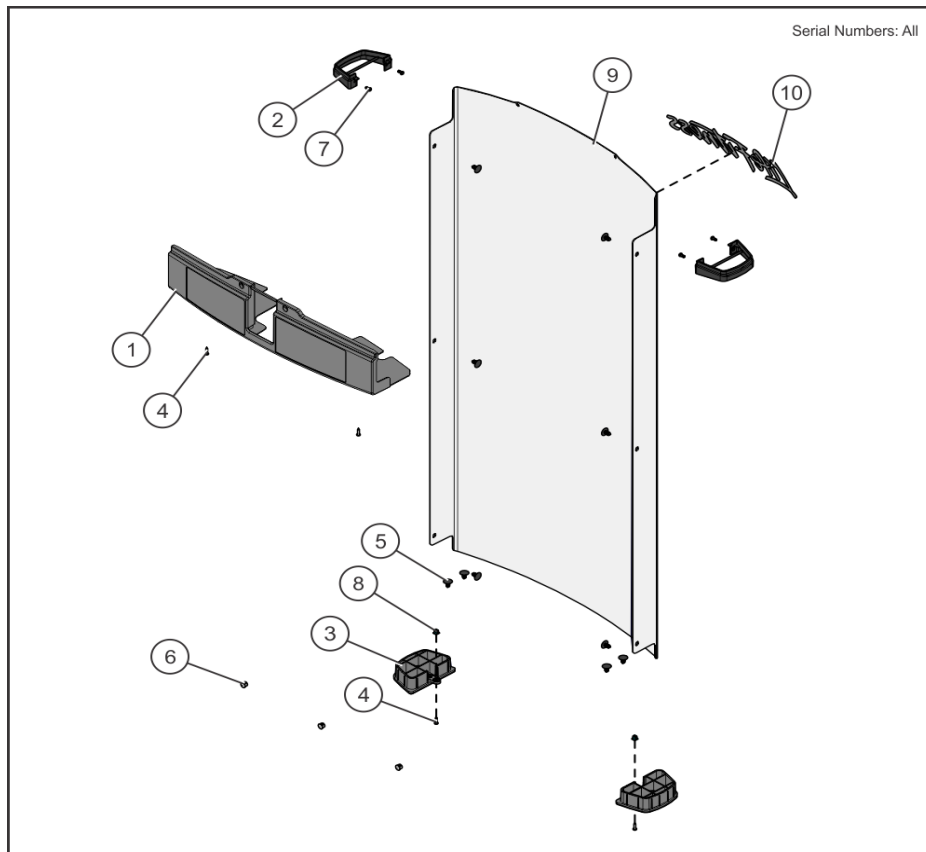
| Ref # | Part Number  | Qty | Description                                    |
|-------|--------------|-----|--|
| 1     | 1003679-0003 | 1   | ASSY, WGT STK SEL PIN -YEL                     |
| 2     | 1006751-0001 | 1   | CAP: 3.75 KG INC WEIGHT - KG                   |
| 3     | 1006750-0001 | 1   | CAP, 7.5 LB INC WEIGHT - LBS                   |
| 4     | 9434203      | 1   | BAYONET, 21 PLATE                              |
| 5     | 3236202      | 4   | M10 X 1.5 X 25 SHCS, LOW HEAD                  |
| 6     | 1017210-0001 | 1   | HOUSHING: 7.5LB INC WEIGHT                     |
| 7     | 1008675-0001 | 1   | HANDLE: 7.5LB INC WT, PLASTIC                  |
| 8     | 1006707-0001 | 1   | DIE CUT: 7.5LB INC WEIGHT, NYLON SHEET, 0.020" |
| 9     | 9296001      | 2   | BUSHING, HEADPLATE, LONG                       |
| 10    | 3236001      | 1   | BUSHING, SPRING PIN                            |
| 11    | 9431101      | 1   | HEADPLATE, WT. STACK, 20LB                     |
| 12    | 3236205      | 4   | M10 X 1.5 X 40 SHCS, LOW HEAD                  |
| 13    | 9433302      | 2   | COUNTER WEIGHT, HEAD PLATE, 12.5LB             |

# P-Stack Increment Weight



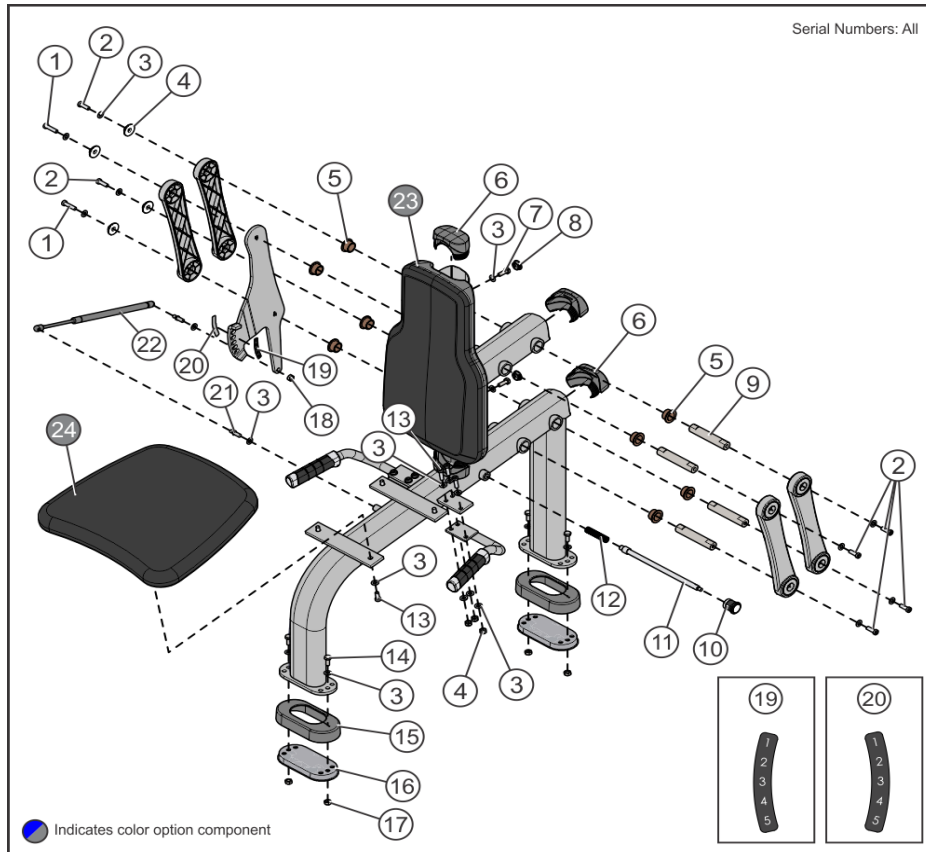
| Ref # | Part Number  | Qty | Description                                  |
|-------|--------------|-----|--|
| 1     | 1008552-0001 | 1   | BUMPER: EA FOAM, INC WEIGHT                  |
| 2     | 1008566-0001 | 1   | GUARD: INCREMENT WEIGHT, 0.375               |
| 3     | 1008366-0028 | 1   | PLATE: INCREMENT WEIGHT, 7.5LB - CHR         |
| 4     | 1010805-0001 | 4   | GUIDE ROD ASSY: INCR WT, 3/8", CHARCOAL GRAY |
| 5     | 3236201      | 1   | M10 X 1.5 X 20 SHCS, LOW HEAD                |
| 6     | 3236601      | 1   | WASHER, 3/8 SAE STAINLESS STEEL              |
| 7     | 3102506      | 2   | WASHER, FLAT 1/4 ID ZN                       |
| 8     | 3102806      | 2   | NUT, NYLOCK 1/4-20                           |
| 9     | 1008192-0002 | 2   | GUIDE ROD: 0.25 OD SOLID, 54.75"             |
| 10    | 1018163-2801 | 1   | WLDMT: BRACKET, INC WEIGHT SPACER, 11" -CHR  |

## Rear Shroud



| Ref # | Part Number     | Qty | Description                         |
|-------|-----------------|-----|-------------------------------------|
| 1     | 1018509-0001    | 1   | ASSY: TOP TRIM, PLACARD MNT         |
| 2     | 9415801         | 2   | GASKET, TRAP TUBE                   |
| 3     | 9412701         | 2   | ASSY, TRAP TUBE, CAP -BTM           |
| 4     | 3275801         | 2   | SCREW, 8 X 3/4 DIN PHL PAN AB ST ZB |
| 5     | 1006620-0001    | 10  | RETAINER: PANEL, 9/32 X 1/2 NYL     |
| 6     | 3237405         | 3   | PLUG, 7/16 IN HOLE                  |
| 7     | 0017-00101-1587 | 4   | RVT 201X0413X.354 T NY NO           |
| 8     | 0017-00042-1147 | 2   | GROMMET: SCREW, 8 OR 10             |
| 9     | 1009335-0001    | 1   | SHROUD: REAR, W/LOGO, STD           |
| 10    | 1008491-0001    | 1   | LABEL, LIFE FITNESS, 16IN           |

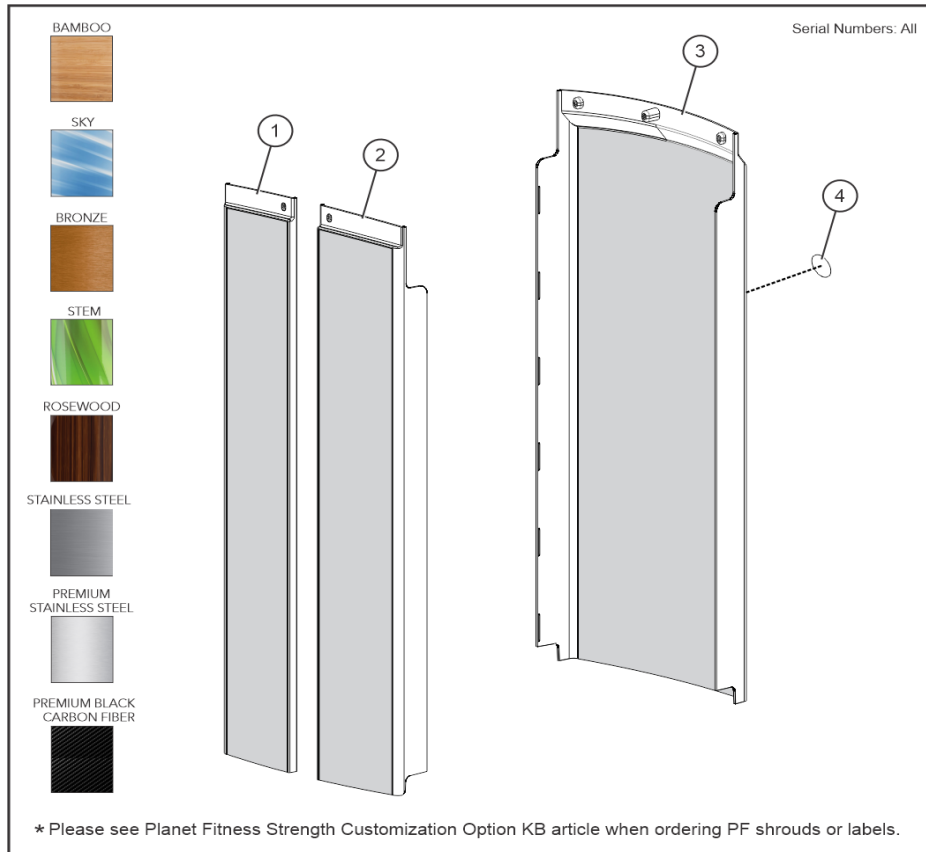
### Seat Assembly



| Ref # | Part Number  | Qty | Description                       |
|-------|--------------|-----|-----------------------------------|
| 1     | 3236205      | 2   | M10 X 1.5 X 40 SHCS, LOW HEAD     |
| 2     | 3236203      | 6   | M10 X 1.5 X 30 SHCS, LOW HEAD     |
| 3     | 3236601      | 28  | WASHER, 3/8 SAE STAINLESS STEEL   |
| 4     | 1003709-0001 | 8   | SPACER, SS, SEAT LINK             |
| 5     | 3104903      | 8   | BRNG, FLANGE 1.00 ID X 1.25 OD    |
| 6     | 7333902      | 4   | CAP, LARGE FLOW-END; CHGR         |
| 7     | 3251203      | 2   | M10 X 1.5 X 30MM UNS HEX CS ST ZN |
| 8     | 3237407      | 2   | PLUG, 1 IN HOLE                   |
| 9     | 9472909      | 4   | SHAFT, TAPPED 1 DIA X 5.586       |
| 10    | 9454703      | 1   | KNOB, ADJ                         |
| 11    | 7351303      | 1   | PIN, PULL X 12.38                 |
| 12    | 7351501      | 1   | SPRING; PULL PIN LARGE            |
| 13    | 3236202      | 4   | M10 X 1.5 X 25 SHCS, LOW HEAD     |
| 14    | 3251202      | 4   | M10 X 1.5 X 25MM UNS HEX CS ST ZN |
| 15    | 9319401      | 2   | COVER, FOOT -STRT                 |
| 16    | 9319301      | 2   | FOOT, 2.5 X 4.49 FLOV             |
| 17    | 3254703      | 4   | NUT, M10 X 1.5 HEX ZINC           |
| 18    | 3236801      | 1   | NUT, NYLOCK M10 X 1.5 SS          |
| 19    | 1001847-0001 | 1   | LABEL, 1-5 CURVED INSIDE          |
| 20    | 1001846-0001 | 1   | LABEL, 1-5 CURVED OUTSIDE         |
| 21    | 7414301      | 2   | STUD, M10 BALL END M10 X 1.5      |
| 22    | 3235701      | 1   | SPRING, GAS 150N                  |

| <b>Ref #</b> | <b>Part Number</b> | <b>Qty</b> | <b>Description</b>                        |
|--------------|--------------------|------------|---|
| 23           | 1000018-0099       | 1          | PAD, LARGE BACK CUS, SNGL STITCH- Custom  |
| 23           | 1000018-0199       | 1          | PAD, LARGE BACK CUS, DBL STITCH- Custom   |
| 24           | 1000004-0099       | 1          | PAD, SEAT LE/SLC CUS, SNGL STITCH- Custom |
| 24           | 1000004-0199       | 1          | PAD, SEAT LE/SLC CUS, DBL STITCH- Custom  |

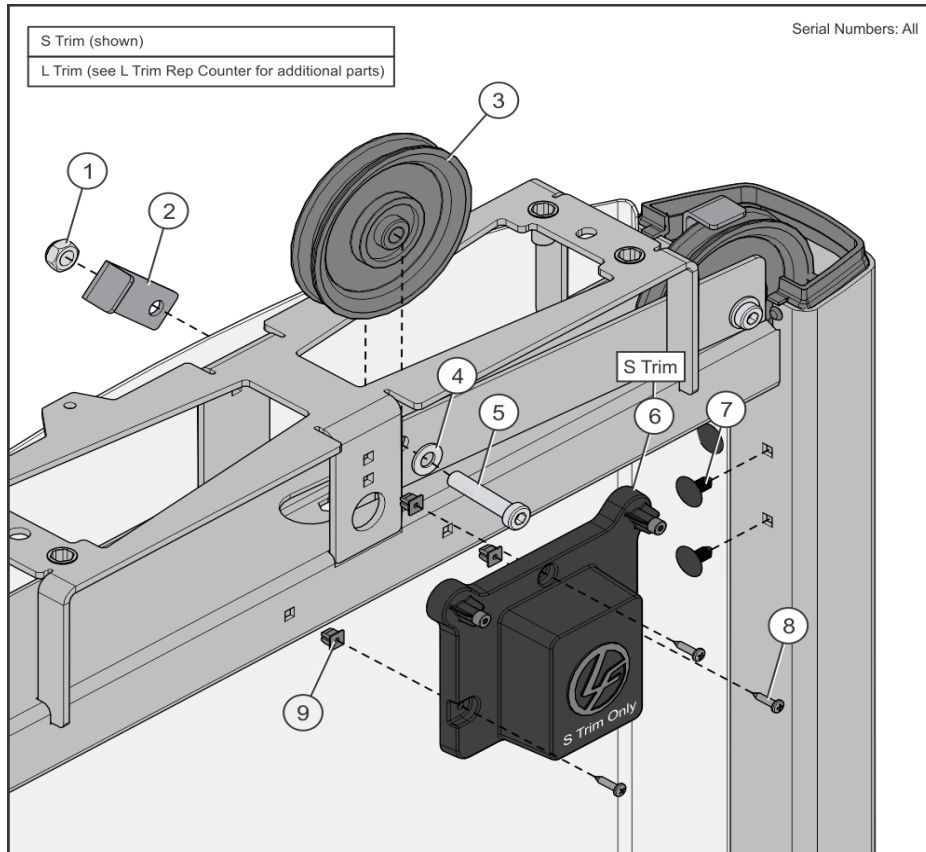
### Shroud Wraps



| Ref # | Part Number  | Qty | Description                        |
|-------|--------------|-----|------------------------------------|
| 1     | 1003204-0009 | 1   | SHROUD, SS, FNT, LT, SRT, ABS-PBCF |
| 1     | 1003204-0006 | 1   | SHROUD, SS, FNT, LT, SRT, ABS-RSW  |
| 1     | 1003204-0007 | 1   | SHROUD, SS, FNT, LT, SRT, ABS-SS   |
| 1     | 1003204-0002 | 1   | SHROUD, SS, FNT, LT, SRT, ABS-BAM  |
| 1     | 1003204-0008 | 1   | SHROUD, SS, FNT, LT, SRT, ABS-PSS  |
| 1     | 1003204-0005 | 1   | SHROUD, SS, FNT, LT, SRT, ABS-STM  |
| 1     | 1003204-0003 | 1   | SHROUD, SS, FNT, LT, SRT, ABS-SKY  |
| 1     | 1003204-0004 | 1   | SHROUD, SS, FNT, LT, SRT, ABS-BRZ  |
| 2     | 1003203-0005 | 1   | SHROUD, SS, FNT, RT, SRT, ABS-STM  |
| 2     | 1003203-0003 | 1   | SHROUD, SS, FNT, RT, SRT, ABS-SKY  |
| 2     | 1003203-0008 | 1   | SHROUD, SS, FNT, RT, SRT, ABS-PSS  |
| 2     | 1003203-0007 | 1   | SHROUD, SS, FNT, RT, SRT, ABS-SS   |
| 2     | 1003203-0004 | 1   | SHROUD, SS, FNT, RT, SRT, ABS-BRZ  |
| 2     | 1003203-0009 | 1   | SHROUD, SS, FNT, RT, SRT, ABS-PBCF |
| 2     | 1003203-0006 | 1   | SHROUD, SS, FNT, RT, SRT, ABS-RSW  |
| 2     | 1003203-0002 | 1   | SHROUD, SS, FNT, RT, SRT, ABS-BAM  |
| 3     | 1003205-0009 | 1   | SHROUD, SS, REAR, SRT, ABS-PBCF    |
| 3     | 1003205-0008 | 1   | SHROUD, SS, REAR, SRT, ABS-PSS     |
| 3     | 1003205-0003 | 1   | SHROUD, SS, REAR, SRT, ABS-SKY     |
| 3     | 1003205-0007 | 1   | SHROUD, SS, REAR, SRT, ABS-SS      |
| 3     | 1003205-0005 | 1   | SHROUD, SS, REAR, SRT, ABS-STM     |
| 3     | 1003205-0006 | 1   | SHROUD, SS, REAR, SRT, ABS-RSW     |

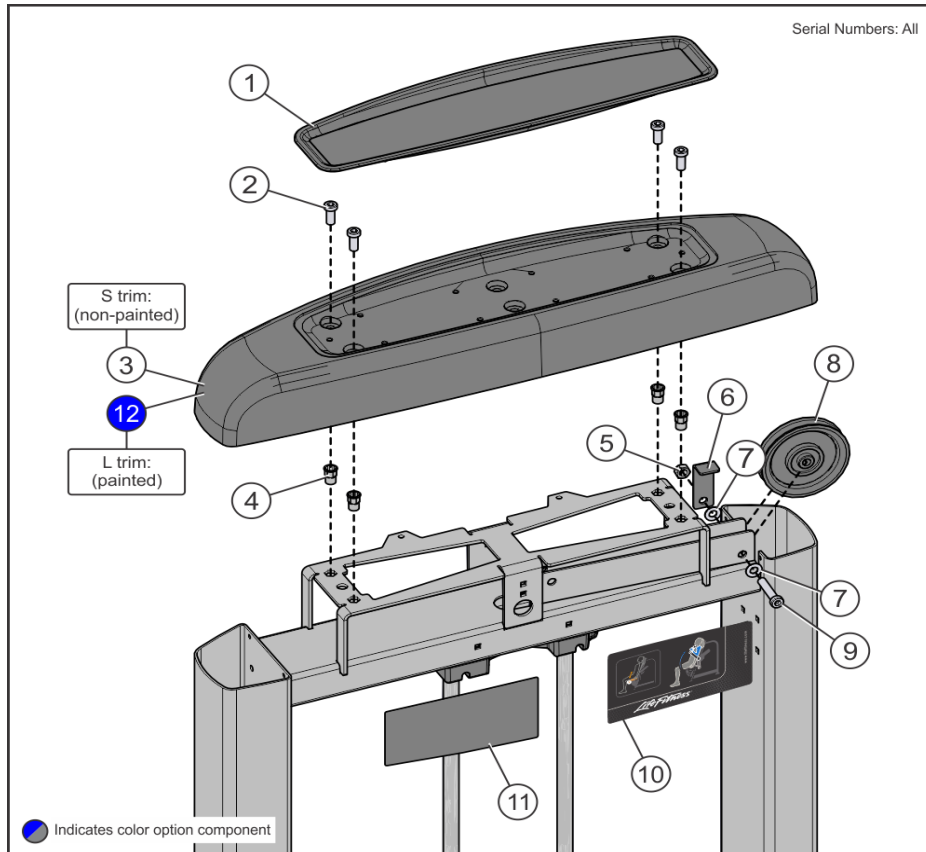
| <b>Ref #</b> | <b>Part Number</b> | <b>Qty</b> | <b>Description</b>                               |
|--------------|--------------------|------------|--|
| 3            | 1003205-0002       | 1          | SHROUD, SS, REAR, SRT, ABS-BAM                   |
| 3            | 1003205-0004       | 1          | SHROUD, SS, REAR, SRT, ABS-BRZ                   |
| 4            | AK58-00245-2401    | 1          | MEDALLION-ASSY: BUG, LIFE FITNESS, CHARCOAL GRAY |

## S and L Trim Tower Top



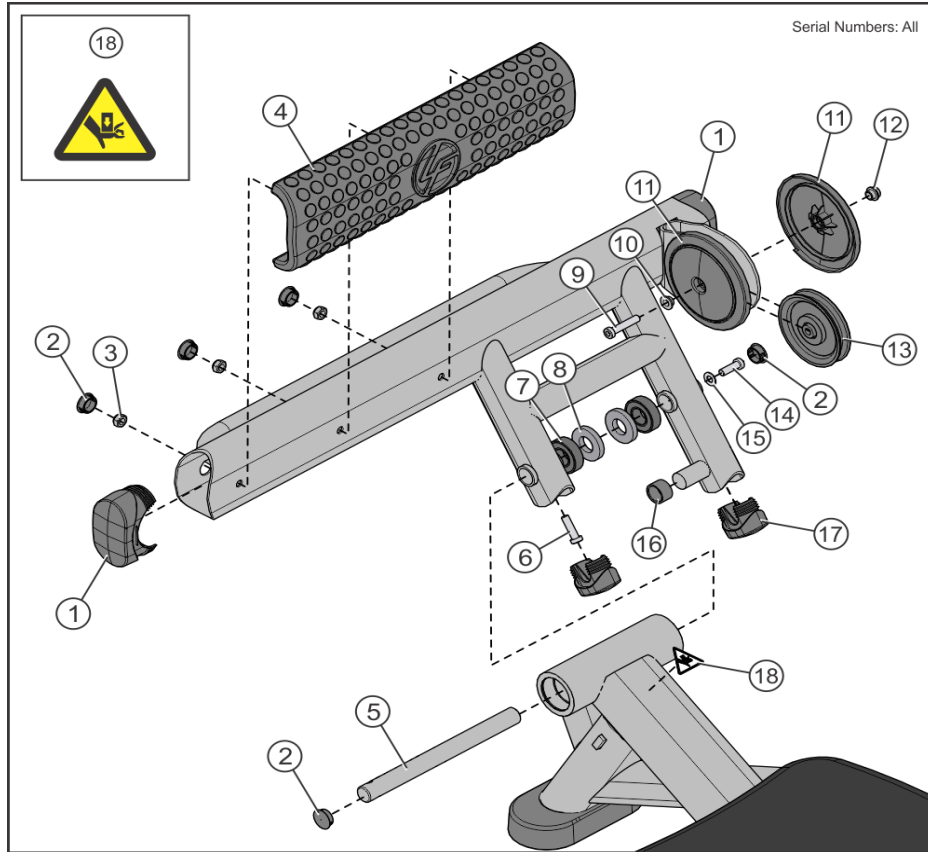
| Ref # | Part Number     | Qty | Description                           |
|-------|-----------------|-----|---------------------------------------|
| 1     | 3236801         | 1   | NUT, NYLOCK M10 X 1.5 SS              |
| 2     | 6757701         | 1   | CLIP, CABLE 2-7/8 X 1 X 1             |
| 3     | 9319901         | 1   | PULLEY, 3/16 IN CABLE (T2), 4.5 IN OD |
| 4     | 3236601         | 1   | WASHER, 3/8 SAE STAINLESS STEEL       |
| 5     | 3236207         | 1   | M10 X 1.5 X 50 SHCS, LOW HEAD         |
| 6     | 1006334-0001    | 1   | ASSY, DUMMY HOUSING                   |
| 7     | 1006620-0001    | 1   | RETAINER: PANEL, 9/32 X 1/2 NYL       |
| 8     | 3275801         | 3   | SCREW, 8 X 3/4 DIN PHL PAN AB ST ZB   |
| 9     | 0017-00042-1147 | 3   | GROMMET: SCREW, 8 OR 10               |

# Tower Top



| Ref # | Part Number | Qty | Description                           |
|-------|-------------|-----|---------------------------------------|
| 1     | 9411201     | 1   | TRAY, TOWER TOP CAP                   |
| 2     | 3236202     | 4   | M10 X 1.5 X 25 SHCS, LOW HEAD         |
| 3     | 9436701     | 1   | CAP, TOWER, TOP, PLASTIC              |
| 4     | 3238601     | 4   | M10X1.5 BLIND THREADED INSERT (HEX)   |
| 5     | 3236801     | 1   | NUT, NYLOCK M10 X 1.5 SS              |
| 6     | 6757701     | 1   | CLIP, CABLE 2-7/8 X 1 X 1             |
| 7     | 3236601     | 2   | WASHER, 3/8 SAE STAINLESS STEEL       |
| 8     | 9319901     | 1   | PULLEY, 3/16 IN CABLE (T2), 4.5 IN OD |
| 9     | 3236208     | 1   | M10 X 1.5 X 55 SHCS, LOW HEAD         |
| 10    | 9476301     | 1   | LABEL, SS-CE PLACARD, RH              |
| 11    | 9464707     | 1   | LABEL, SS-CE PLACARD, LH - JAP        |
| 11    | 9464704     | 1   | LABEL, SS-CE PLACARD, LH - SPN        |
| 11    | 9464712     | 1   | LABEL, SS-CE PLACARD, LH - CHI        |
| 11    | 9464710     | 1   | LABEL, SS-CE PLACARD, LH - RUS        |
| 11    | 9464701     | 1   | LABEL, SS-CE PLACARD, LH - ENG        |
| 11    | 9464708     | 1   | LABEL, SS-CE PLACARD, LH - POR        |
| 12    | 9412699     | 1   | CAP, SS, CAST Custom                  |

**Work Arm**



| Ref # | Part Number | Qty | Description                          |
|-------|-------------|-----|--------------------------------------|
| 1     | 7333902     | 2   | CAP, LARGE FLOV-END; CHGR            |
| 2     | 3237407     | 5   | PLUG, 1 IN HOLE                      |
| 3     | 3236801     | 3   | NUT, NYLOCK M10 X 1.5 SS             |
| 4     | 7523702     | 1   | ASSY, FOOT OVERMOLDED FZCE           |
| 5     | 7569101     | 1   | FZCE-SHAFT                           |
| 6     | 3236204     | 1   | M10 X 1.5 X 35 SHCS, LOW HEAD        |
| 7     | 3235601     | 2   | BEARING, 6205 BALL                   |
| 8     | 7568901     | 2   | SPACER, FZCE                         |
| 9     | 3236207     | 1   | M10 X 1.5 X 50 SHCS, LOW HEAD        |
| 10    | 7630101     | 1   | RETAINER, CM/MJ, PULLEY              |
| 11    | 8104502     | 2   | COVER, PULLEY-BOLTED NOTCHED         |
| 12    | 7335401     | 1   | NUT, M10 X 1.5 SOCKET HEAD           |
| 13    | 3237802     | 1   | PULLEY, 1/4 IN CABLE (T3), 4.5 IN OD |
| 14    | 3236203     | 1   | M10 X 1.5 X 30 SHCS, LOW HEAD        |
| 15    | 3236601     | 1   | WASHER, 3/8 SAE STAINLESS STEEL      |
| 16    | 7690103     | 1   | BUMPER, SLEEVE - 1 INCH DIA          |
| 17    | 7333802     | 2   | CAP, SMALL FLOV-END                  |
| 18    | 8039501     | 1   | LABEL, WARNING TRIANGLE              |

