

INSIGNIA SERIES CALF EXTENSION

SS-CE-3841193-X

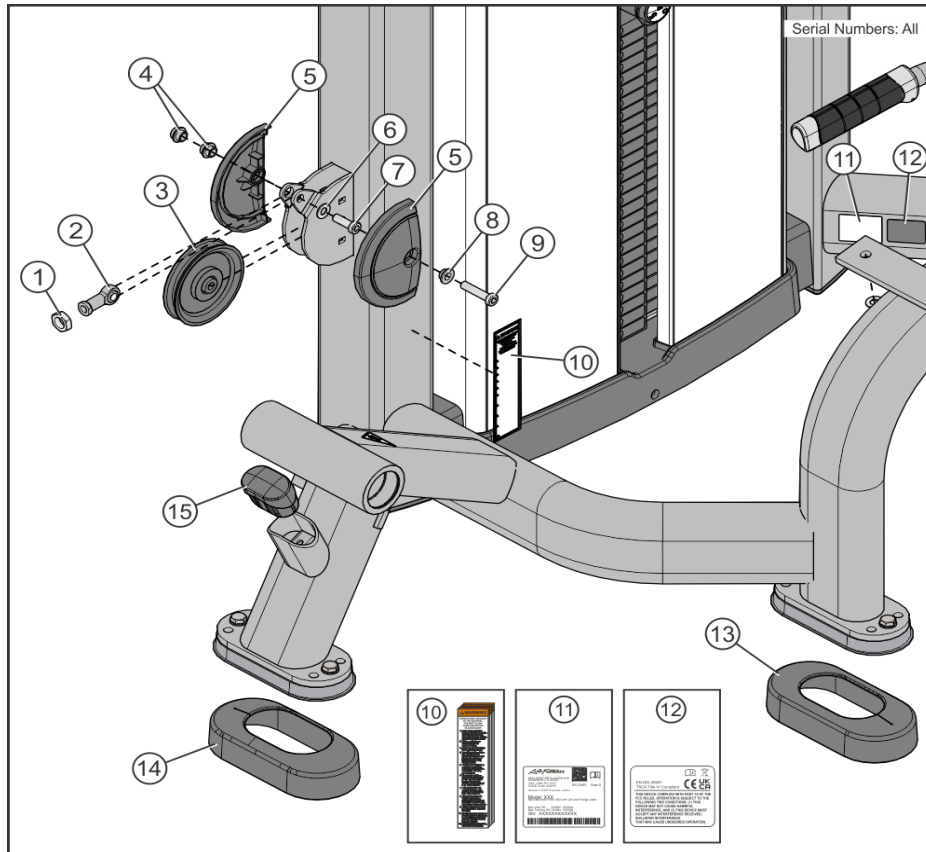
Parts Manual

4/12/2025 11:04:56 AM

Table of Contents

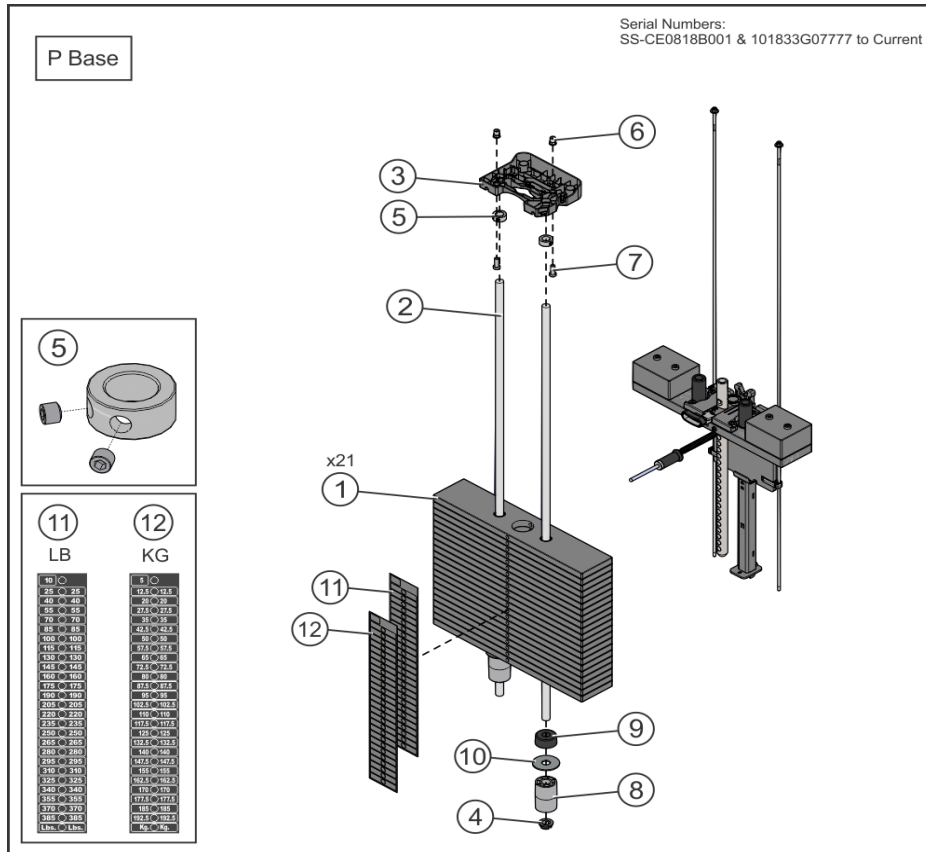
Base.....	3
Base P-Stack.....	4
Base T-Stack Head Plate Assy (previous).....	5
Base T-Stack (previous).....	6
Cables.....	7
C and X Head Plate.....	8
C and X Increment Weights.....	9
Frame Painted Items.....	10
Full Shroud.....	11
Heavy X-Stack.....	12
Heavy X-Stack (previous).....	13
Light C-Stack.....	14
Light C-Stack (previous).....	15
L Trim Rep Counter.....	16
Previous C and X Increment Weights.....	17
Previous C and X Increment Weight Assembly.....	18
P-Stack Head Plate Assy.....	19
P-Stack Increment Weight.....	20
Rear Shroud.....	21
Seat Assembly.....	22
Shroud Wraps.....	24
S and L Trim Tower Top.....	26
Tower Top.....	27
Work Arm.....	28

Base



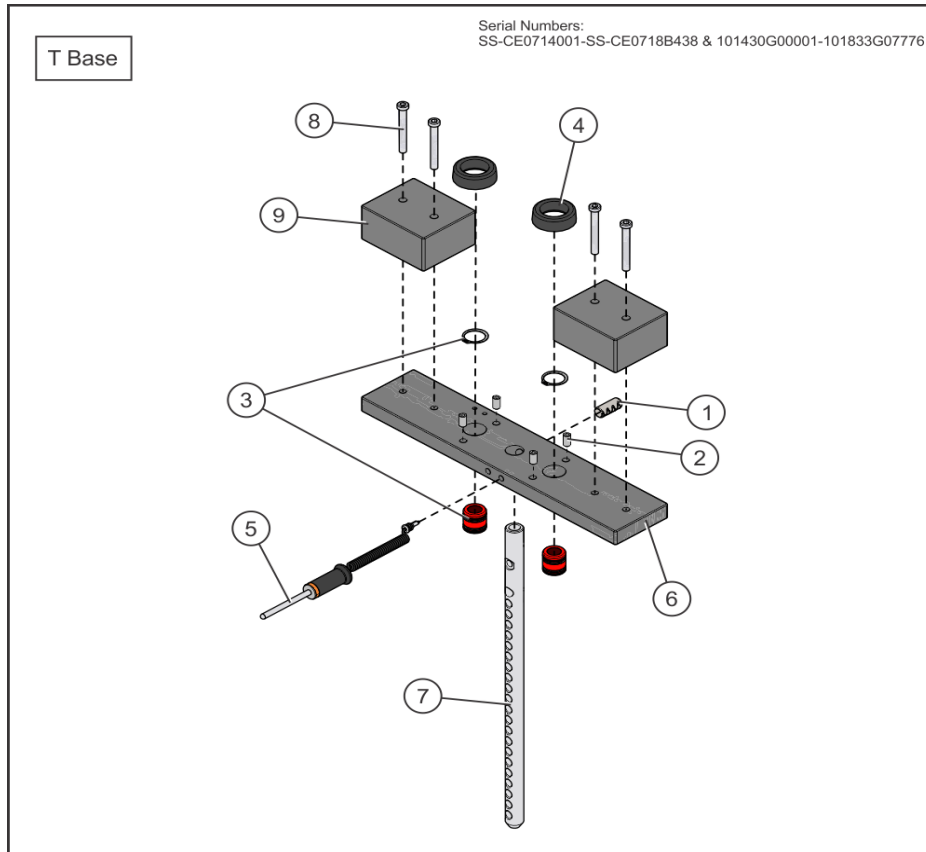
Ref #	Part Number	Qty	Description
1	3236902	1	NUT, HEX JAM M16 X 2 SS
2	3237901	1	ROD END, METRIC FEMALE
3	9319901	1	PULLEY, 3/16 IN CABLE (T2), 4.5 IN OD
4	7335401	2	NUT, M10 X 1.5 SOCKET HEAD
5	8094102	2	COVER, PULLEY -BOLTED PARTIAL -CHGR
6	3236601	1	WASHER, 3/8 SAE STAINLESS STEEL
7	3236203	1	M10 X 1.5 X 30 SHCS, LOW HEAD
8	7630101	1	RETAINER, CM/MJ, PULLEY
9	3236206	1	M10 X 1.5 X 45 SHCS, LOW HEAD
10	8220000	1	LABEL, ASTM WARNING FW SELECT
11	7571301	1	LABEL, SERIAL NUMBER
12	9488901	1	LABEL, INSIGNIA, FCC
13	9319401	1	COVER, FOOT -STRT
14	9461401	1	COVER, FOOT -20 deg
15	7333802	1	CAP, SMALL FLOV-END

Base P-Stack



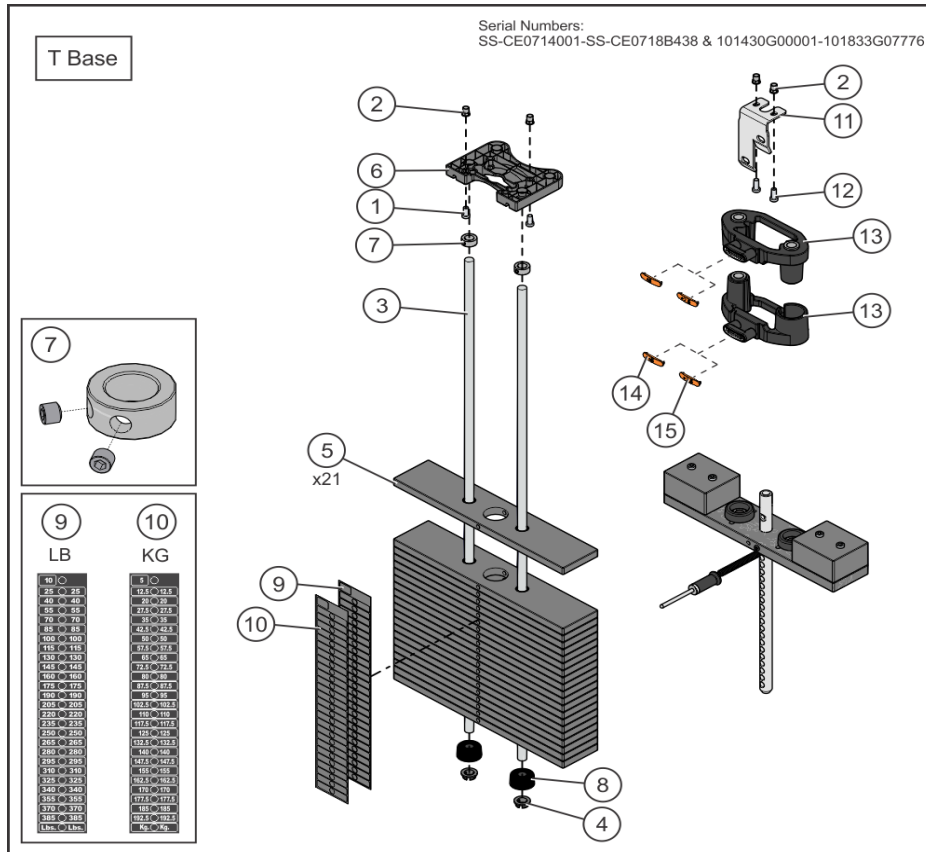
Ref #	Part Number	Qty	Description
1	9407601	21	WGT PL, 3/4IN X 4IN, 15LB
2	7328612	2	GUIDE ROD, .75 OD SOLID X 50.36
3	1015452-0001	1	RETAINER: GUIDE ROD, NYL
4	7337901	2	BUSHING, GUIDE ROD
5	3103301	2	SHAFT COLLAR, 3/4" ID ZINC
6	3238601	2	M10X1.5 BLIND THREADED INSERT (HEX)
7	3236202	2	M10 X 1.5 X 25 SHCS, LOW HEAD
8	1004349-0003	2	SPACER, WGT STK, 4 PL8
9	7352101	2	CUSHION, WEIGHT STACK
10	1010765-0001	2	WASHER: 0.80 OD, 11GA
11	9475101	1	LABEL, 3/4 IN WGT STACK, 385 LB
12	9475401	1	LABEL, 3/4 IN WGT STACK, 192.5 KG

Base T-Stack Head Plate Assy (previous)



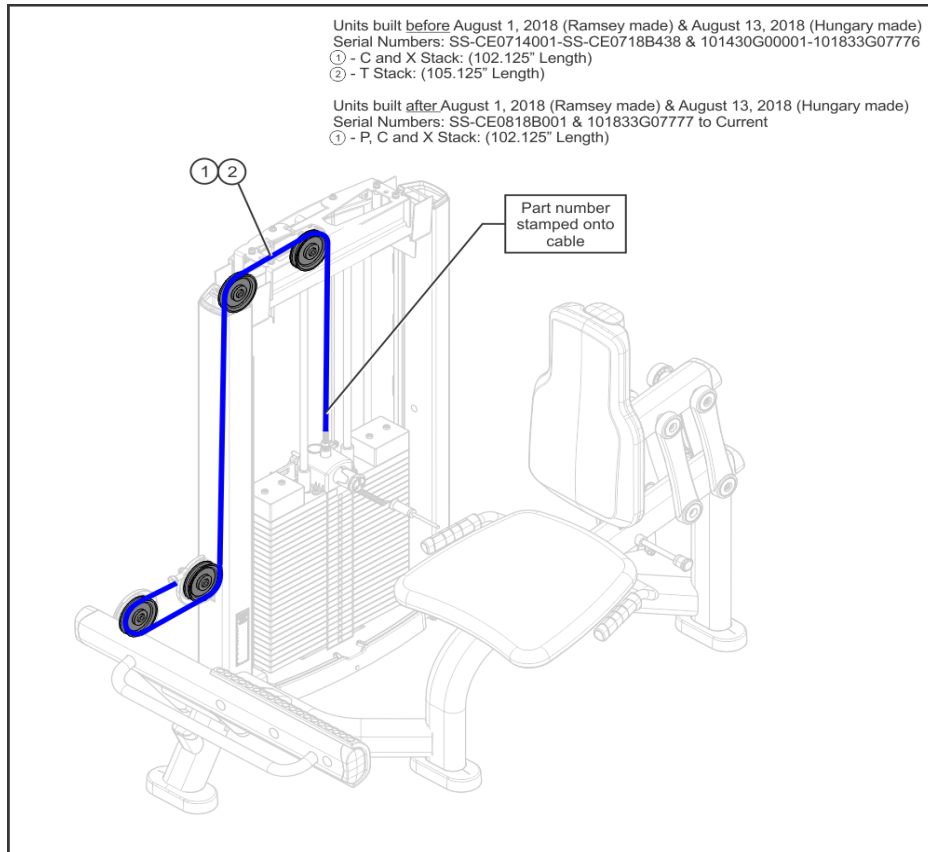
Ref #	Part Number	Qty	Description
1	3236001	1	BUSHING, SPRING PIN
2	3240501	4	M10 X 1.5 X 20 HXS NO CUP ST BO
3	7338001	2	BUSHING, HEADPLATE
4	7767602	2	BUMPER, INCREMENT WT -BLK
5	1003679-0003	1	ASSY, WGT STK SEL PIN -YEL
6	9431101	1	HEADPLATE, WT. STACK, 20LB
7	9434203	1	BAYONET, 21 PLATE
8	9433302	4	COUNTER WEIGHT, HEAD PLATE, 12.5LB
9	3236213	2	M10 X 1.5 X 80 SHCS, LOW HEAD

Base T-Stack (previous)



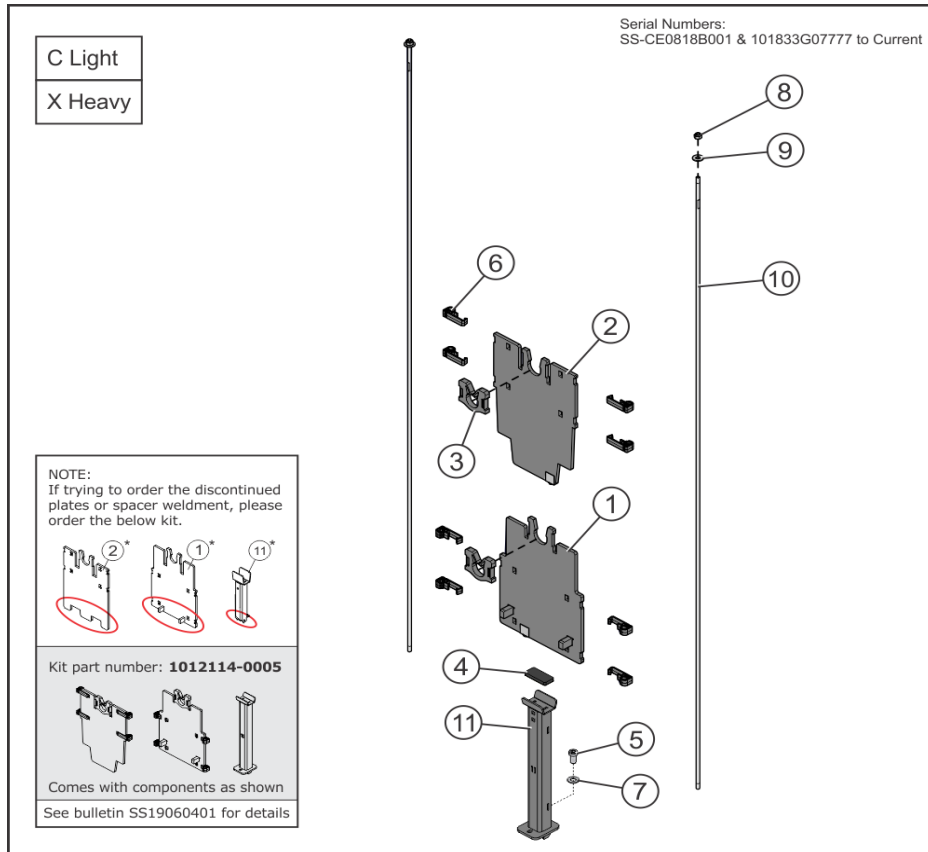
Ref #	Part Number	Qty	Description
1	3236203	2	M10 X 1.5 X 30 SHCS, LOW HEAD
2	3238601	4	M10X1.5 BLIND THREADED INSERT (HEX)
3	7328612	2	GUIDE ROD, .75 OD SOLID X 50.36
4	7337901	2	BUSHING, GUIDE ROD
5	9407601	21	WGT PL, 3/4IN X 4IN, 15LB
6	1015452-0001	1	RETAINER: GUIDE ROD, NYL
7	3103301	2	SHAFT COLLAR, 3/4" ID ZINC
8	7352101	2	CUSHION, WEIGHT STACK
9	9475101	1	LABEL, 3/4 IN WGT STACK, 385 LB
10	9475401	1	LABEL, 3/4 IN WGT STACK, 192.5 KG
11	9430801	1	BRKT, INC WGT STRIKER
12	3236202	2	M10 X 1.5 X 25 SHCS, LOW HEAD
13	9455403	2	ASSY, DD INC WGT -YEL
14	9462303	1	CAP, DD INC WGT, YEL -LBS
15	9462403	1	CAP, DD INC WGT, YEL -KG

Cables



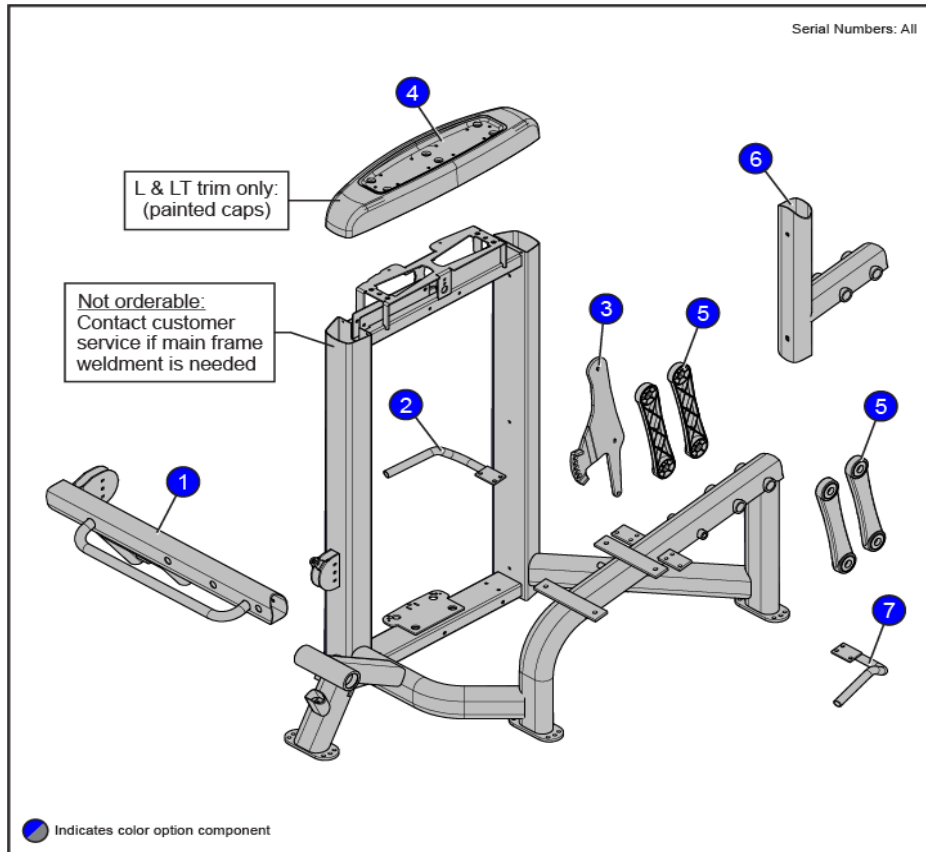
Ref #	Part Number	Qty	Description
1	9498802	1	CABLE, SS-CE, DIAL
2	9498801	1	CABLE, SS-CE, DROP

C and X Increment Weights



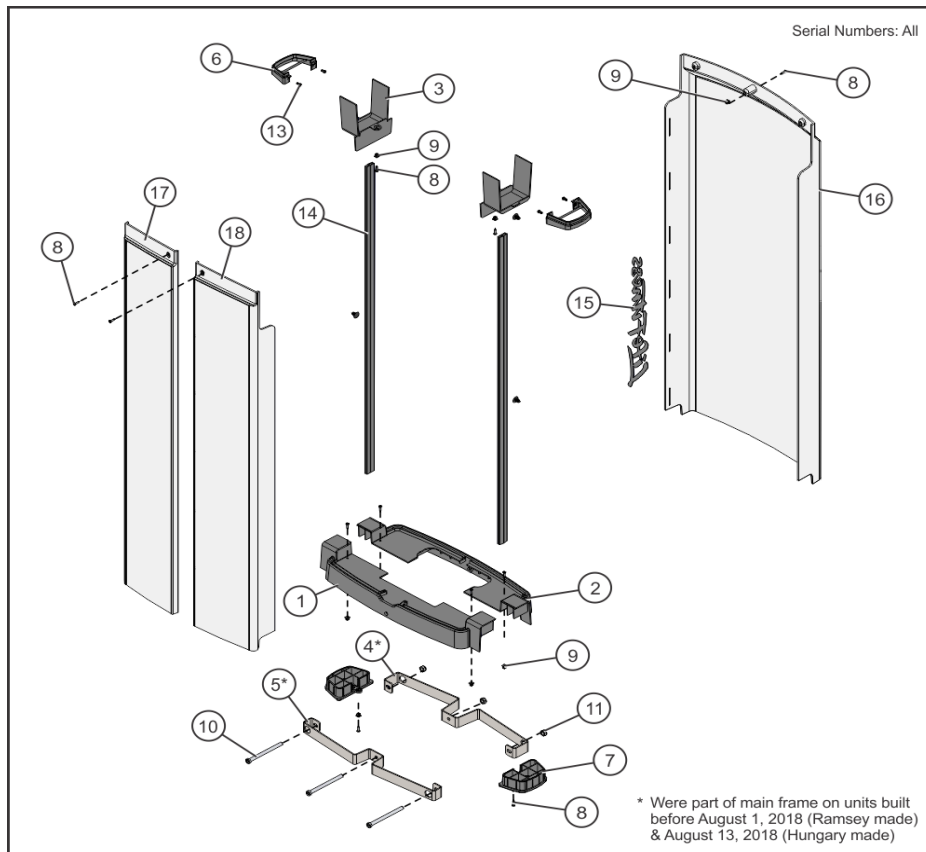
Ref #	Part Number	Qty	Description
1	1010971-2801	1	WLDMT: INC WEIGHT, 5LB, REAR -CHR
2	1010970-2801	1	PLATE: INC WEIGHT, 5LB, FRONT, 1/4" -CHR
3	1008920-0001	2	GUARD: INCREMENT WEIGHT, 0.25
4	1008552-0001	1	BUMPER: EA FOAM, INC WEIGHT
5	3236201	1	M10 X 1.5 X 20 SHCS, LOW HEAD
6	1010803-0001	8	GUIDE ROD ASSY: INCR WT, 1/4", CHARCOAL GRAY
7	3236601	1	WASHER, 3/8 SAE STAINLESS STEEL
8	3102806	2	NUT, NYLOCK 1/4-20
9	3102506	2	WASHER, FLAT 1/4 ID ZN
10	1008192-0002	2	GUIDE ROD: 0.25 OD SOLID, 54.75"
11	1018163-2801	1	WLDMT: BRACKET, INC WEIGHT SPACER, 11" -CHR

Frame Painted Items



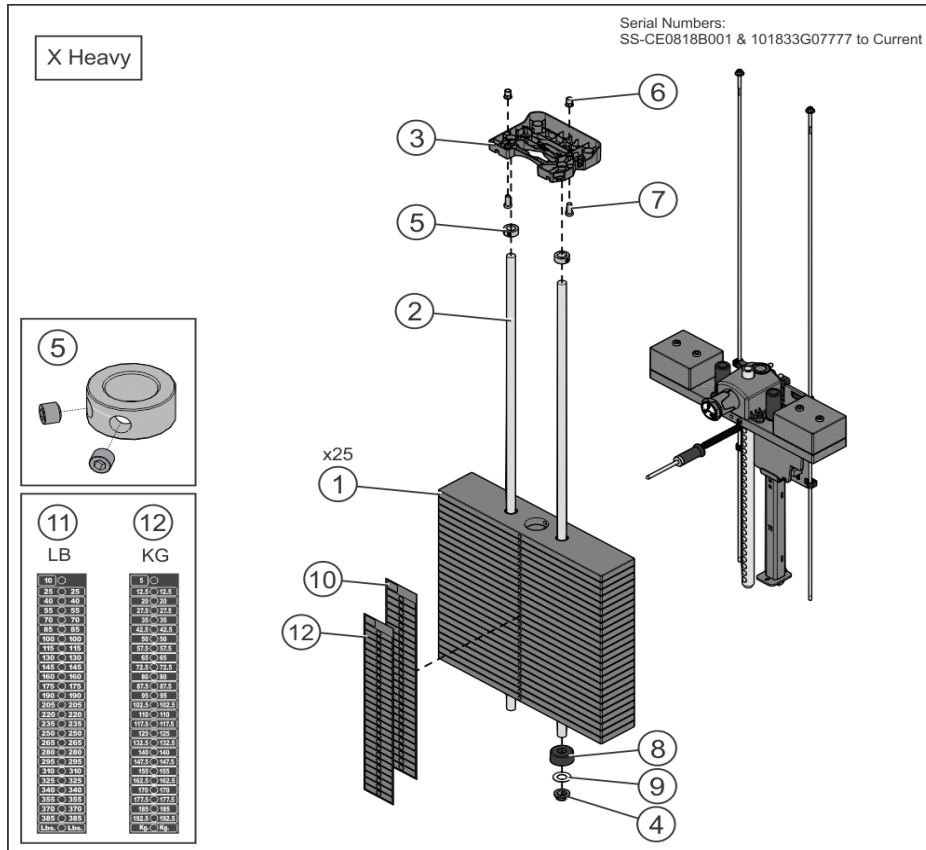
Ref #	Part Number	Qty	Description
1	1006432-0000	1	WLDMT, SS-CE FOOT PIVOT Custom
2,7	9343500	2	WLDMT, SS-LE, HANDLE LEFT Custom
3	1001359-0000	1	PLATE, CE, BACK ADJ Custom
4	9412600	1	CAP, SS, CAST Custom
5	1003845-0000	1	LINK, SS, SEAT BACK Custom
6	9458500	1	WLDMT, SS, BACK PAD SPPRT Custom

Full Shroud



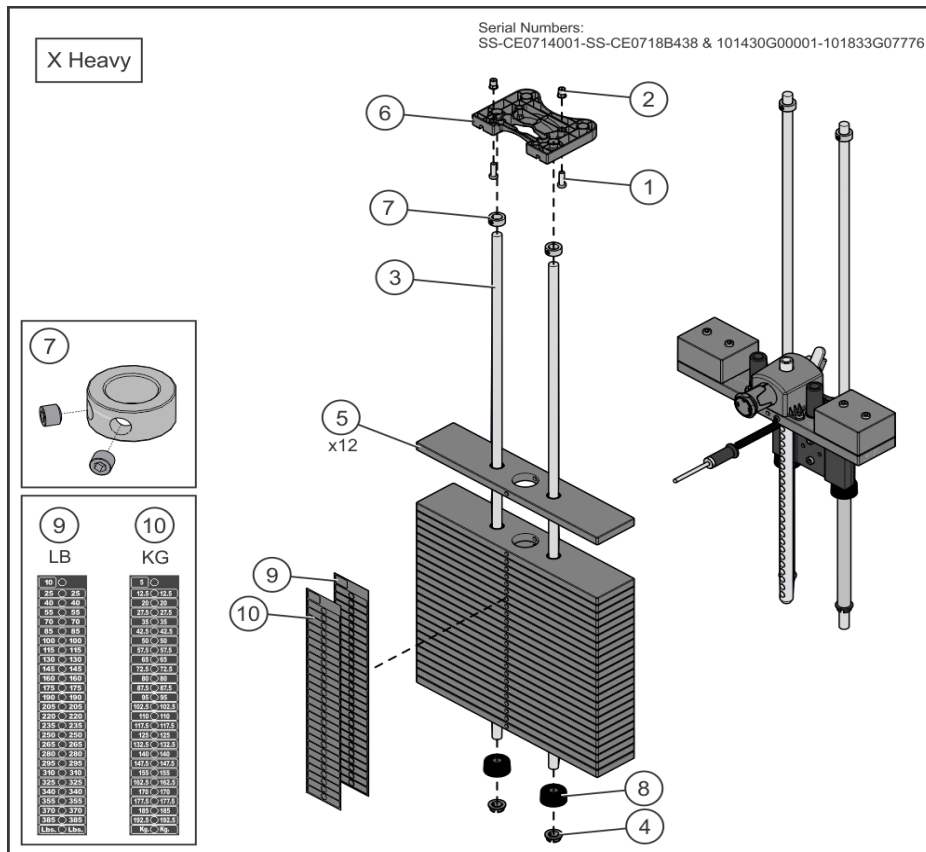
Ref #	Part Number	Qty	Description
1	9410801	1	COVER, TOWER BOTTOM -FRONT
2	1007064-0001	1	COVER: TOWER BOTTOM, REAR
3	9415701	2	COVER, SS, TWR
4	1007623-0001	1	BRACKET: TOWER GUARD, REAR
5	1007622-0001	1	BRACKET: TOWER GUARD, FRONT
6	9415801	2	GASKET, TRAP TUBE
7	9412701	2	ASSY, TRAP TUBE, CAP -BTM
8	3275801	11	SCREW, 8 X 3/4 DIN PHL PAN AB ST ZB
9	0017-00042-1147	9	GROMMET: SCREW, 8 OR 10
10	3236220	3	M10 X 1.5 X 130 SHCS, LOW HEAD
11	3236801	3	NUT, NYLOCK M10 X 1.5 SS
12	1006620-0001	4	RETAINER: PANEL, 9/32 X 1/2 NYL
13	0017-00101-1587	4	RVT 201X0413X.354 T NY NO
14	9414601	2	SHROUD EXTRUSION - SHORT
15	9489101	1	LABEL, LIFE FITNESS, 20IN.
16	9489001	1	SHROUD, SS, REAR, SRT
17	9410601	1	SHROUD, TOWER FRONT, LT - SHORT
18	9410701	1	SHROUD, TOWER FRONT, RT - SHORT

Heavy X-Stack



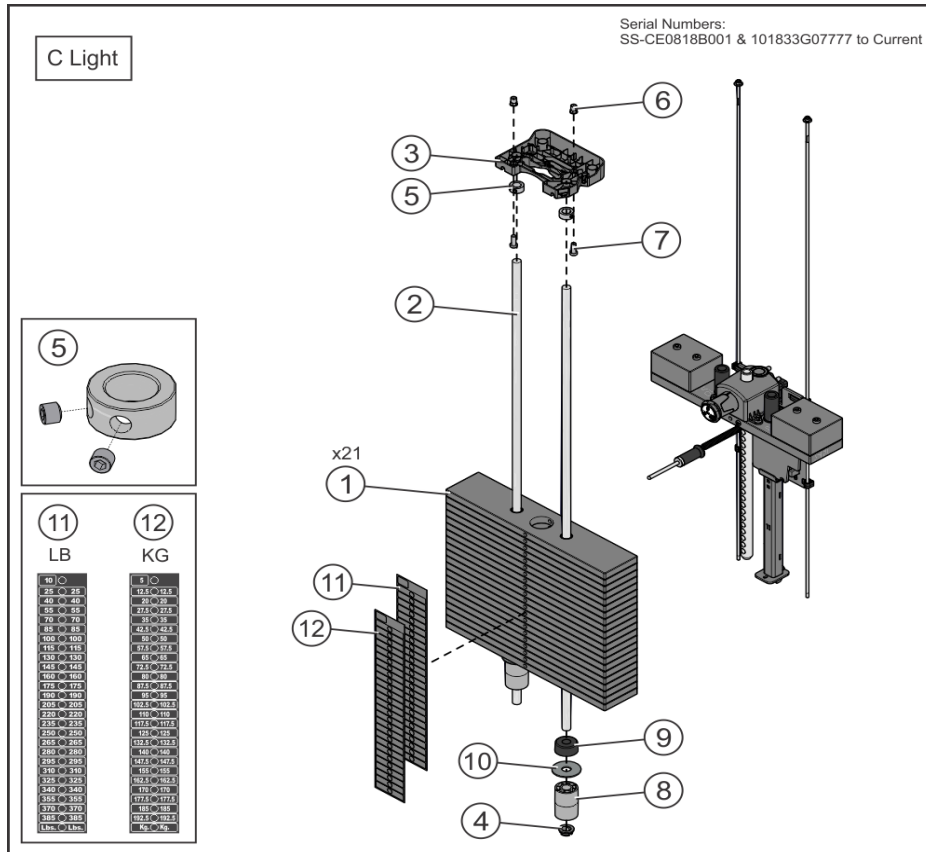
Ref #	Part Number	Qty	Description
1	9407601	25	WGT PL, 3/4IN X 4IN, 15LB
2	7328612	2	GUIDE ROD, .75 OD SOLID X 50.36
3	1015452-0001	1	RETAINER: GUIDE ROD, NYL
4	7337901	2	BUSHING, GUIDE ROD
5	3103301	2	SHAFT COLLAR, 3/4" ID ZINC
6	3238601	2	M10X1.5 BLIND THREADED INSERT (HEX)
7	3236202	2	M10 X 1.5 X 25 SHCS, LOW HEAD
8	7352101	2	CUSHION, WEIGHT STACK
9	7351001	2	SPACER, INC WT STACK
10	9475101	1	LABEL, 3/4 IN WGT STACK, 385 LB
11	9475401	1	LABEL, 3/4 IN WGT STACK, 192.5 KG

Heavy X-Stack (previous)



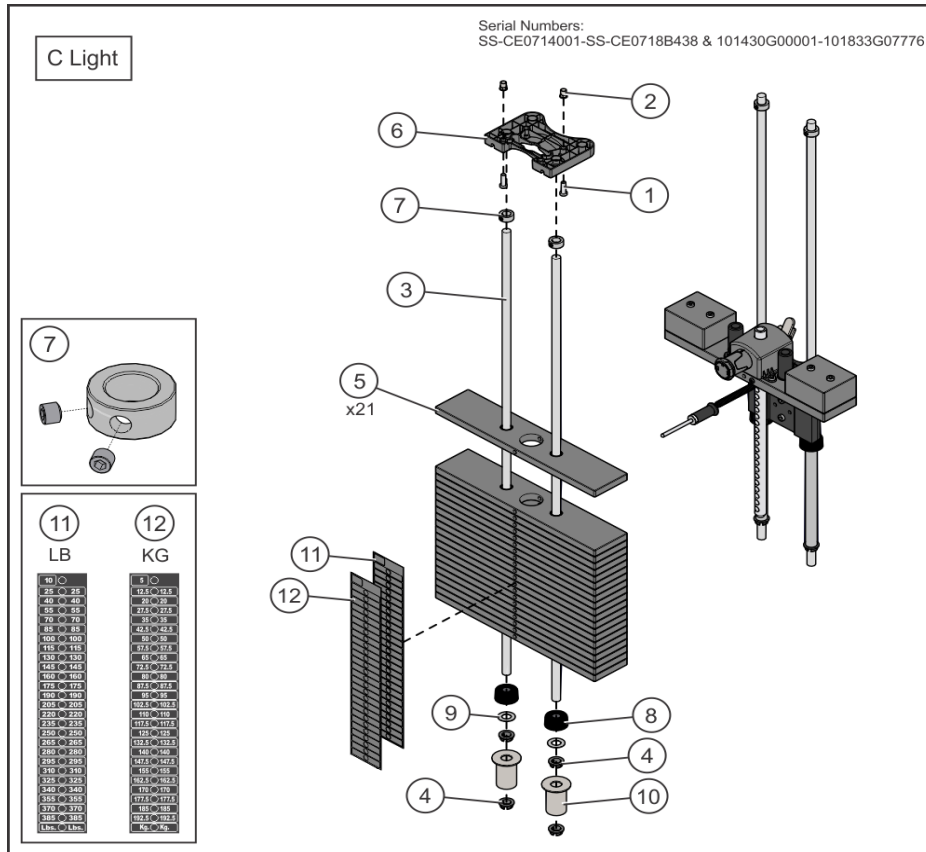
Ref #	Part Number	Qty	Description
1	3236202	2	M10 X 1.5 X 25 SHCS, LOW HEAD
2	3238601	2	M10X1.5 BLIND THREADED INSERT (HEX)
3	7328612	2	GUIDE ROD, .75 OD SOLID X 50.36
4	7337901	4	BUSHING, GUIDE ROD
5	9407601	25	WGT PL, 3/4IN X 4IN, 15LB
6	1015452-0001	1	RETAINER: GUIDE ROD, NYL
7	3103301	2	SHAFT COLLAR, 3/4" ID ZINC
8	7352101	2	CUSHION, WEIGHT STACK
9	9475101	1	LABEL, 3/4 IN WGT STACK, 385 LB
10	9475401	1	LABEL, 3/4 IN WGT STACK, 192.5 KG

Light C-Stack



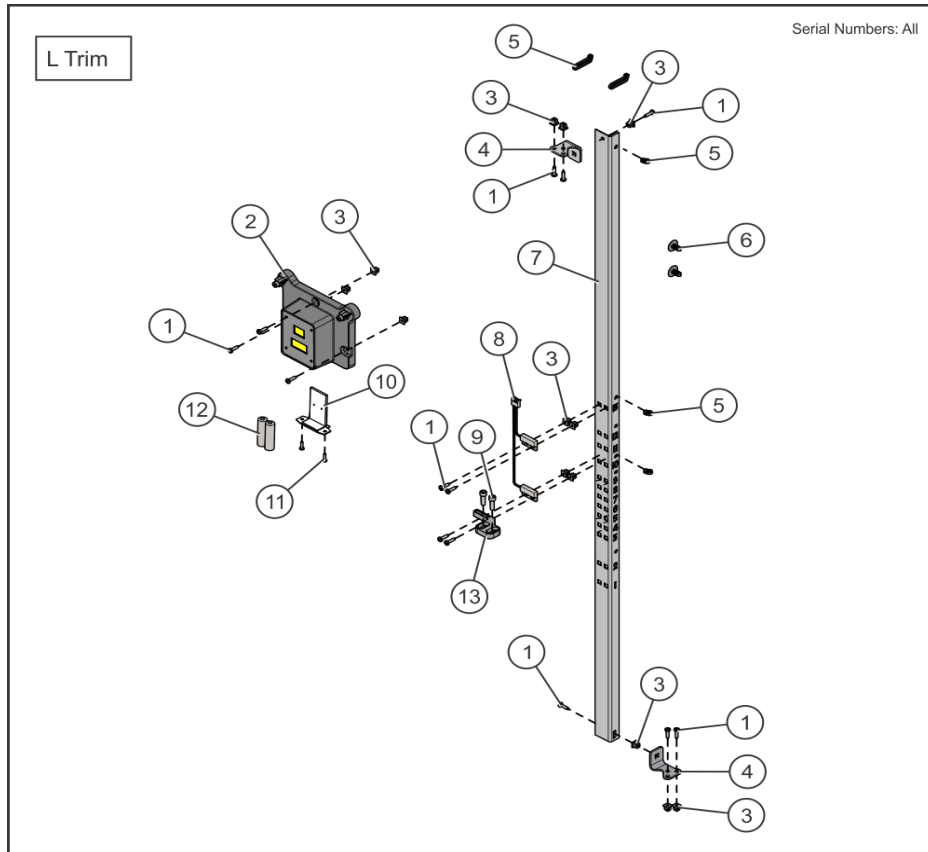
Ref #	Part Number	Qty	Description
1	9407601	21	WGT PL, 3/4IN X 4IN, 15LB
2	7328612	2	GUIDE ROD, .75 OD SOLID X 50.36
3	1015452-0001	1	RETAINER: GUIDE ROD, NYL
4	7337901	2	BUSHING, GUIDE ROD
5	3103301	2	SHAFT COLLAR, 3/4" ID ZINC
6	3238601	2	M10X1.5 BLIND THREADED INSERT (HEX)
7	3236202	2	M10 X 1.5 X 25 SHCS, LOW HEAD
8	1004349-0003	2	SPACER, WGT STK, 4 PL8
9	7352101	2	CUSHION, WEIGHT STACK
10	1010765-0001	2	WASHER: 0.80 OD, 11GA
11	9475101	1	LABEL, 3/4 IN WGT STACK, 385 LB
12	9475401	1	LABEL, 3/4 IN WGT STACK, 192.5 KG

Light C-Stack (previous)



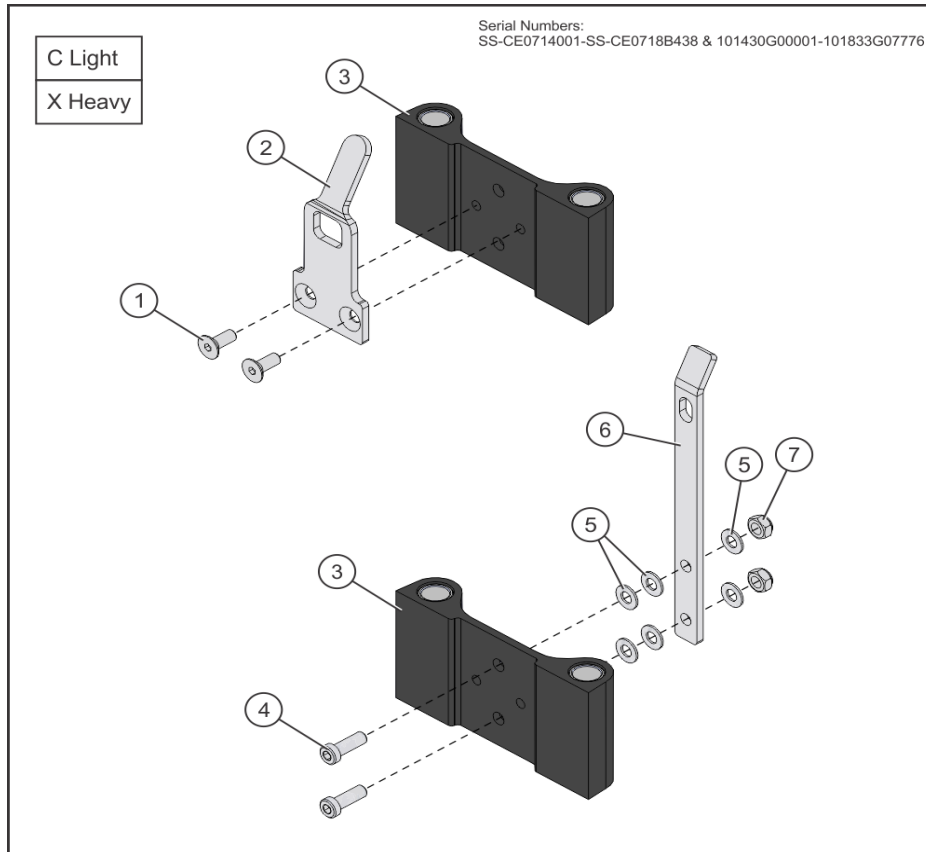
Ref #	Part Number	Qty	Description
1	3236202	2	M10 X 1.5 X 25 SHCS, LOW HEAD
2	3238601	2	M10X1.5 BLIND THREADED INSERT (HEX)
3	7328612	2	GUIDE ROD, .75 OD SOLID X 50.36
4	7337901	4	BUSHING, GUIDE ROD
5	9407601	21	WGT PL, 3/4IN X 4IN, 15LB
6	1015452-0001	1	RETAINER: GUIDE ROD, NYL
7	3103301	2	SHAFT COLLAR, 3/4" ID ZINC
8	7352101	2	CUSHION, WEIGHT STACK
9	7351001	2	SPACER, INC WT STACK
10	9495913	2	WLDMT, WGT STK SPACER X 3.00 -CHR
11	9475101	1	LABEL, 3/4 IN WGT STACK, 385 LB
12	9475401	1	LABEL, 3/4 IN WGT STACK, 192.5 KG

L Trim Rep Counter



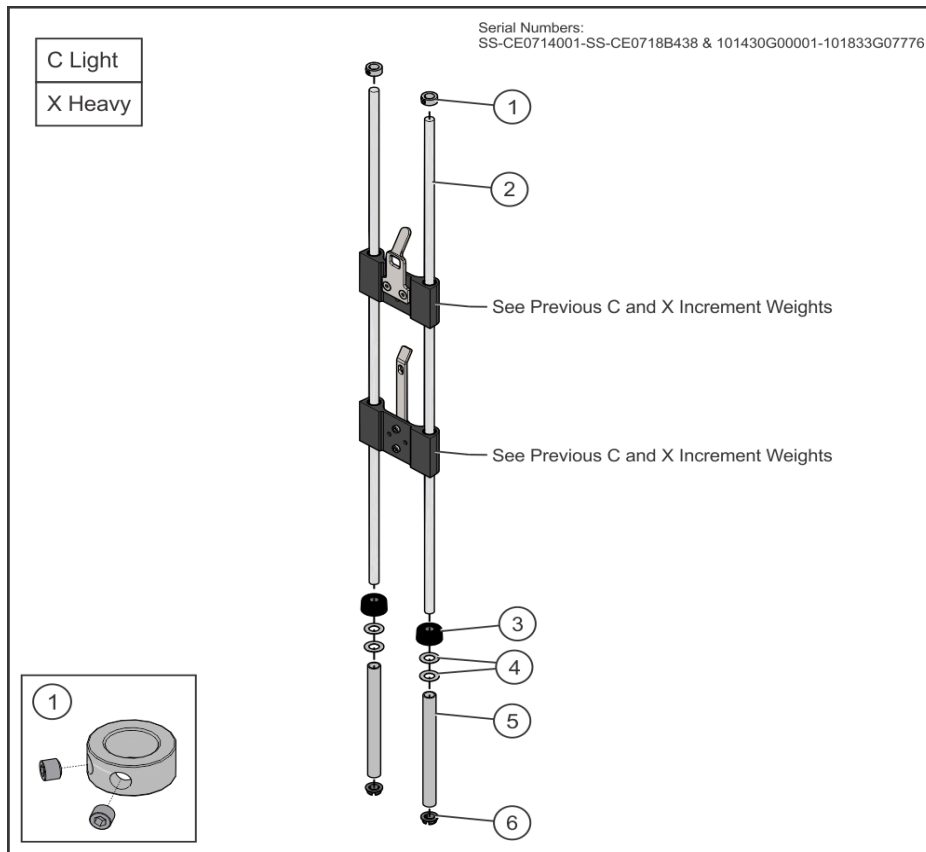
Ref #	Part Number	Qty	Description
1	3275801	13	SCREW, 8 X 3/4 DIN PHL PAN AB ST ZB
2,8	1008199-0001	2	ASSY: REP COUNTER/SWITCH/MAGNET
3	0017-00042-1147	13	GROMMET: SCREW, 8 OR 10
4	1007269-0028	2	BRACKET: RAIL MOUNT, REP CNTR -CHR
5	3276501	5	CABLE TIE 11 IN.
6	1006620-0001	2	RETAINER: PANEL, 9/32 X 1/2 NYL
7	1008003-0028	1	BRACKET: SWITCH MNT, STD -CHR
9	3241701	2	M6 X 1 X 20MM SHCS, STD HEAD
10	9436401	1	DOOR, BATTERY PACK MOUNT
11	3226003	2	6-20 X 8 PHL PAN PLT ST BZ
12	3276401	2	BATTERY, AA
13	1007177-0001	1	ASSY: MAGNET, REP CNTR DCI

Previous C and X Increment Weights



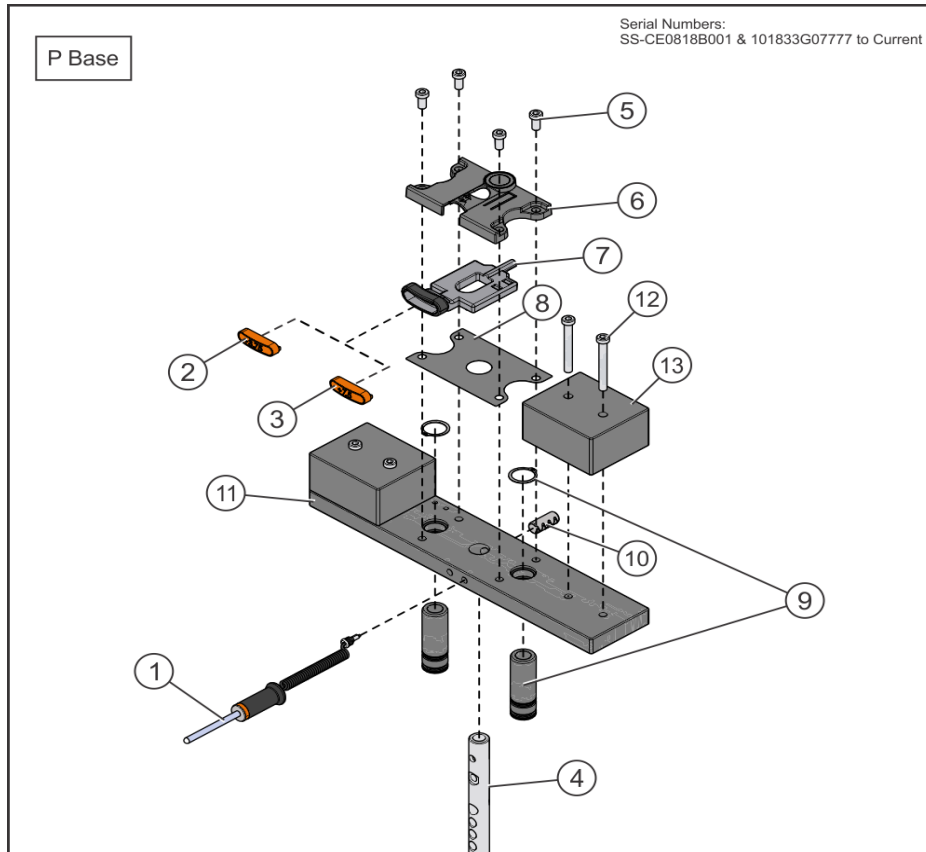
Ref #	Part Number	Qty	Description
1	3238302	2	SCREW, M10 FLTHD X 25MM
2	9428201	1	BRKT, INC WGT -5LB
3	9439701	2	ASSY, INC WGT, SUB
4	3275503	2	SCREW, M10 X 1.5 X 30 SHCS, LOW HEAD -NO PATCH
5	3236601	4	WASHER, 3/8 SAE STAINLESS STEEL
6	1001007-0001	1	BRKT, INC WGT -10LB
7	3236801	2	NUT, NYLOCK M10 X 1.5 SS

Previous C and X Increment Weight Assembly



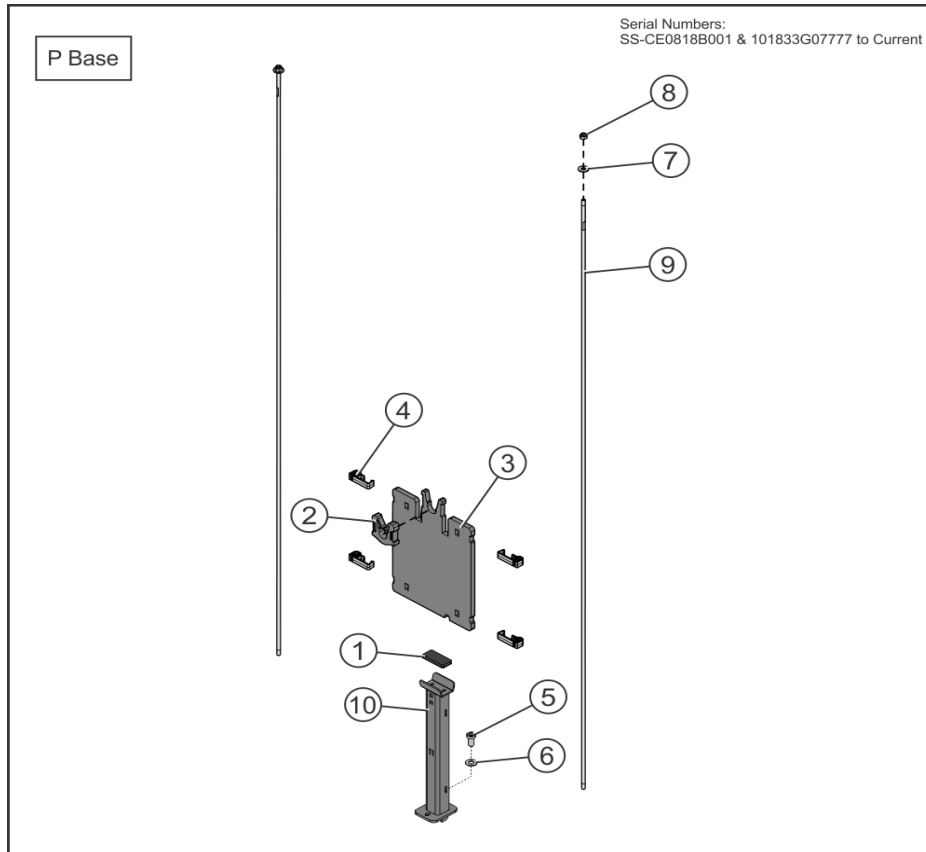
Ref #	Part Number	Qty	Description
1	3103301	2	SHAFT COLLAR, 3/4" ID ZINC
2	7328612	2	GUIDE ROD, .75 OD SOLID X 50.36
3	7352101	2	CUSHION, WEIGHT STACK
4	7351001	4	SPACER, INC WT STACK
5	7328703	2	SPACER, INC WT STACK 25 PLATE
6	7337901	2	BUSHING, GUIDE ROD

P-Stack Head Plate Assy



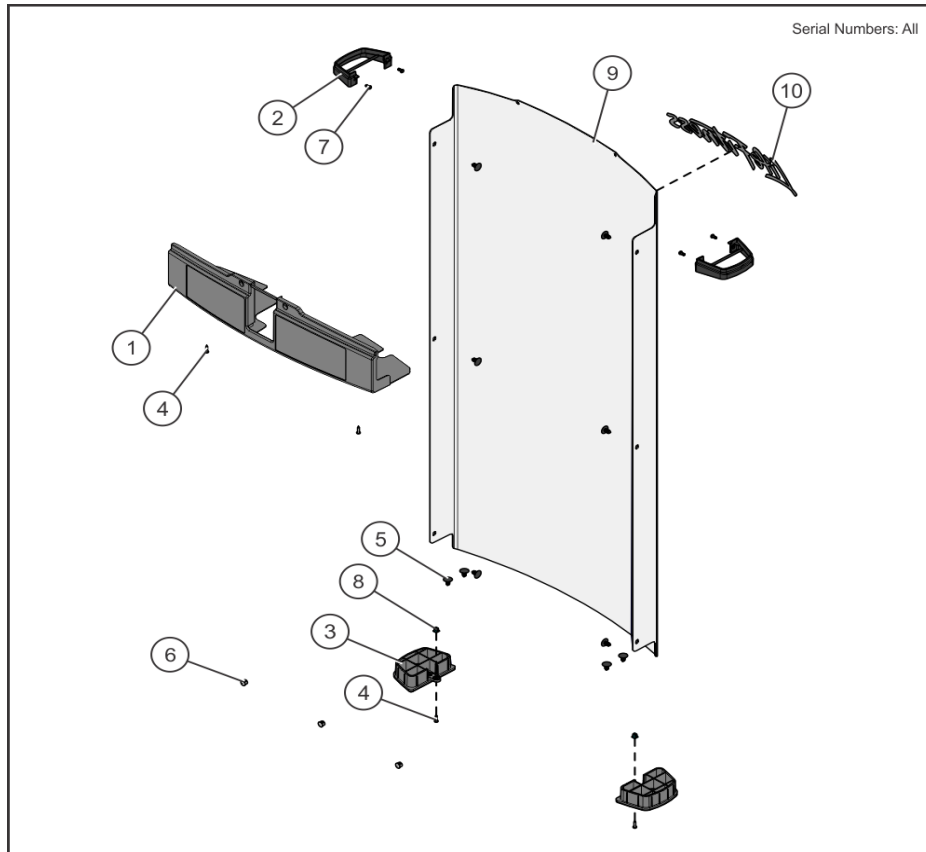
Ref #	Part Number	Qty	Description
1	1003679-0003	1	ASSY, WGT STK SEL PIN -YEL
2	1006751-0001	1	CAP: 3.75 KG INC WEIGHT - KG
3	1006750-0001	1	CAP, 7.5 LB INC WEIGHT - LBS
4	9434203	1	BAYONET, 21 PLATE
5	3236202	4	M10 X 1.5 X 25 SHCS, LOW HEAD
6	1017210-0001	1	HOUSHING: 7.5LB INC WEIGHT
7	1008675-0001	1	HANDLE: 7.5LB INC WT, PLASTIC
8	1006707-0001	1	DIE CUT: 7.5LB INC WEIGHT, NYLON SHEET, 0.020"
9	9296001	2	BUSHING, HEADPLATE, LONG
10	3236001	1	BUSHING, SPRING PIN
11	9431101	1	HEADPLATE, WT. STACK, 20LB
12	3236205	4	M10 X 1.5 X 40 SHCS, LOW HEAD
13	9433302	2	COUNTER WEIGHT, HEAD PLATE, 12.5LB

P-Stack Increment Weight



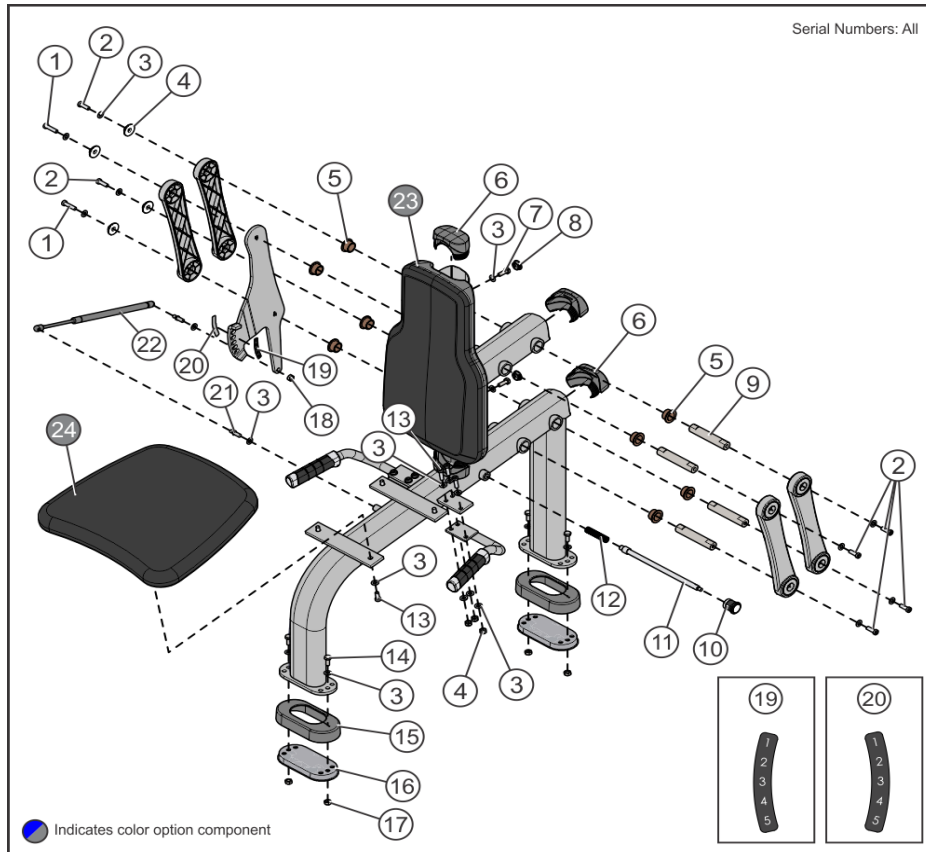
Ref #	Part Number	Qty	Description
1	1008552-0001	1	BUMPER: EA FOAM, INC WEIGHT
2	1008566-0001	1	GUARD: INCREMENT WEIGHT, 0.375
3	1008366-0028	1	PLATE: INCREMENT WEIGHT, 7.5LB - CHR
4	1010805-0001	4	GUIDE ROD ASSY: INCR WT, 3/8", CHARCOAL GRAY
5	3236201	1	M10 X 1.5 X 20 SHCS, LOW HEAD
6	3236601	1	WASHER, 3/8 SAE STAINLESS STEEL
7	3102506	2	WASHER, FLAT 1/4 ID ZN
8	3102806	2	NUT, NYLOCK 1/4-20
9	1008192-0002	2	GUIDE ROD: 0.25 OD SOLID, 54.75"
10	1018163-2801	1	WLDMT: BRACKET, INC WEIGHT SPACER, 11" -CHR

Rear Shroud



Ref #	Part Number	Qty	Description
1	1018509-0001	1	ASSY: TOP TRIM, PLACARD MNT
2	9415801	2	GASKET, TRAP TUBE
3	9412701	2	ASSY, TRAP TUBE, CAP -BTM
4	3275801	2	SCREW, 8 X 3/4 DIN PHL PAN AB ST ZB
5	1006620-0001	10	RETAINER: PANEL, 9/32 X 1/2 NYL
6	3237405	3	PLUG, 7/16 IN HOLE
7	0017-00101-1587	4	RVT 201X0413X.354 T NY NO
8	0017-00042-1147	2	GROMMET: SCREW, 8 OR 10
9	1009335-0001	1	SHROUD: REAR, W/LOGO, STD
10	1008491-0001	1	LABEL, LIFE FITNESS, 16IN

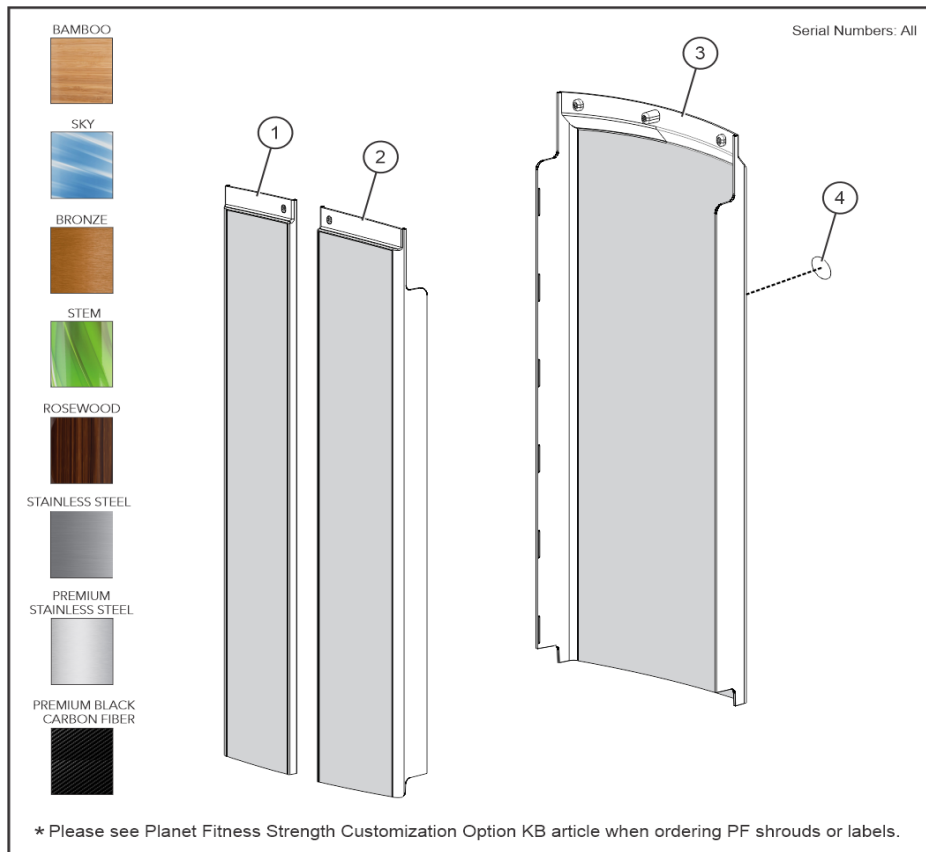
Seat Assembly



Ref #	Part Number	Qty	Description
1	3236205	2	M10 X 1.5 X 40 SHCS, LOW HEAD
2	3236203	6	M10 X 1.5 X 30 SHCS, LOW HEAD
3	3236601	28	WASHER, 3/8 SAE STAINLESS STEEL
4	1003709-0001	8	SPACER, SS, SEAT LINK
5	3104903	8	BRNG, FLANGE 1.00 ID X 1.25 OD
6	7333902	4	CAP, LARGE FLOW-END; CHGR
7	3251203	2	M10 X 1.5 X 30MM UNS HEX CS ST ZN
8	3237407	2	PLUG, 1 IN HOLE
9	9472909	4	SHAFT, TAPPED 1 DIA X 5.586
10	9454703	1	KNOB, ADJ
11	7351303	1	PIN, PULL X 12.38
12	7351501	1	SPRING; PULL PIN LARGE
13	3236202	4	M10 X 1.5 X 25 SHCS, LOW HEAD
14	3251202	4	M10 X 1.5 X 25MM UNS HEX CS ST ZN
15	9319401	2	COVER, FOOT -STRT
16	9319301	2	FOOT, 2.5 X 4.49 FLOW
17	3254703	4	NUT, M10 X 1.5 HEX ZINC
18	3236801	1	NUT, NYLOCK M10 X 1.5 SS
19	1001847-0001	1	LABEL, 1-5 CURVED INSIDE
20	1001846-0001	1	LABEL, 1-5 CURVED OUTSIDE
21	7414301	2	STUD, M10 BALL END M10 X 1.5
22	3235701	1	SPRING, GAS 150N

Ref #	Part Number	Qty	Description
23	1000018-0099	1	PAD, LARGE BACK CUS, SNGL STITCH- Custom
23	1000018-0199	1	PAD, LARGE BACK CUS, DBL STITCH- Custom
24	1000004-0099	1	PAD, SEAT LE/SLC CUS, SNGL STITCH- Custom
24	1000004-0199	1	PAD, SEAT LE/SLC CUS, DBL STITCH- Custom

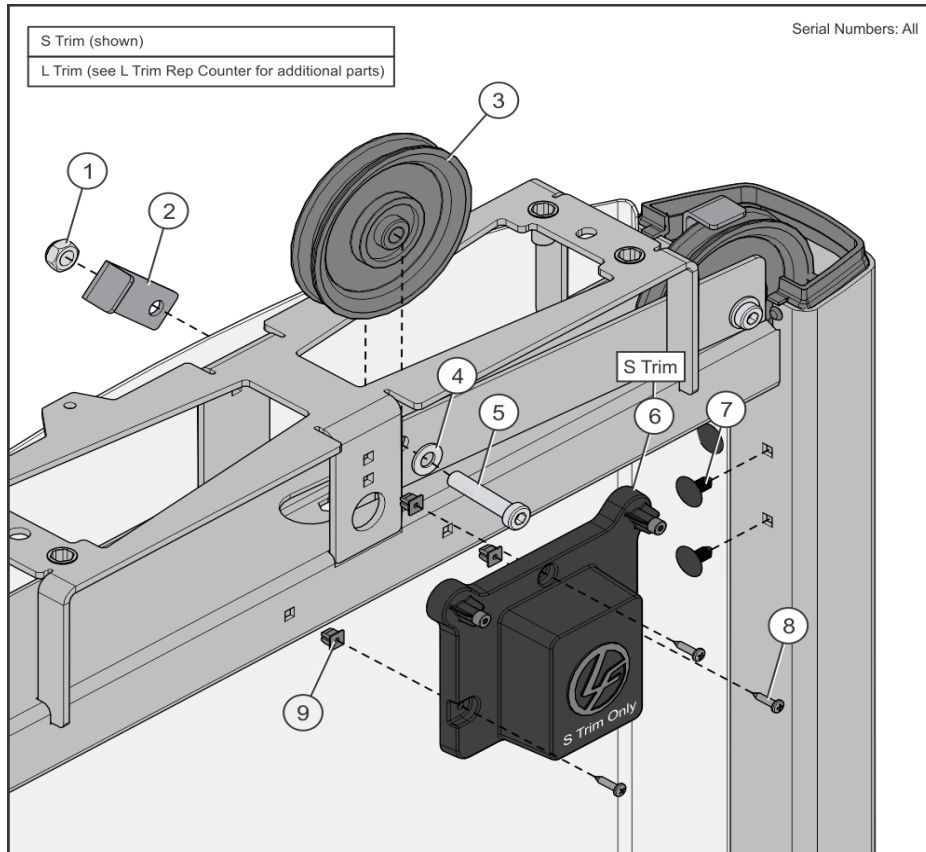
Shroud Wraps



Ref #	Part Number	Qty	Description
1	1003204-0009	1	SHROUD, SS, FNT, LT, SRT, ABS-PBCF
1	1003204-0006	1	SHROUD, SS, FNT, LT, SRT, ABS-RSW
1	1003204-0007	1	SHROUD, SS, FNT, LT, SRT, ABS-SS
1	1003204-0002	1	SHROUD, SS, FNT, LT, SRT, ABS-BAM
1	1003204-0008	1	SHROUD, SS, FNT, LT, SRT, ABS-PSS
1	1003204-0005	1	SHROUD, SS, FNT, LT, SRT, ABS-STM
1	1003204-0003	1	SHROUD, SS, FNT, LT, SRT, ABS-SKY
1	1003204-0004	1	SHROUD, SS, FNT, LT, SRT, ABS-BRZ
2	1003203-0005	1	SHROUD, SS, FNT, RT, SRT, ABS-STM
2	1003203-0003	1	SHROUD, SS, FNT, RT, SRT, ABS-SKY
2	1003203-0008	1	SHROUD, SS, FNT, RT, SRT, ABS-PSS
2	1003203-0007	1	SHROUD, SS, FNT, RT, SRT, ABS-SS
2	1003203-0004	1	SHROUD, SS, FNT, RT, SRT, ABS-BRZ
2	1003203-0009	1	SHROUD, SS, FNT, RT, SRT, ABS-PBCF
2	1003203-0006	1	SHROUD, SS, FNT, RT, SRT, ABS-RSW
2	1003203-0002	1	SHROUD, SS, FNT, RT, SRT, ABS-BAM
3	1003205-0009	1	SHROUD, SS, REAR, SRT, ABS-PBCF
3	1003205-0008	1	SHROUD, SS, REAR, SRT, ABS-PSS
3	1003205-0003	1	SHROUD, SS, REAR, SRT, ABS-SKY
3	1003205-0007	1	SHROUD, SS, REAR, SRT, ABS-SS
3	1003205-0005	1	SHROUD, SS, REAR, SRT, ABS-STM
3	1003205-0006	1	SHROUD, SS, REAR, SRT, ABS-RSW

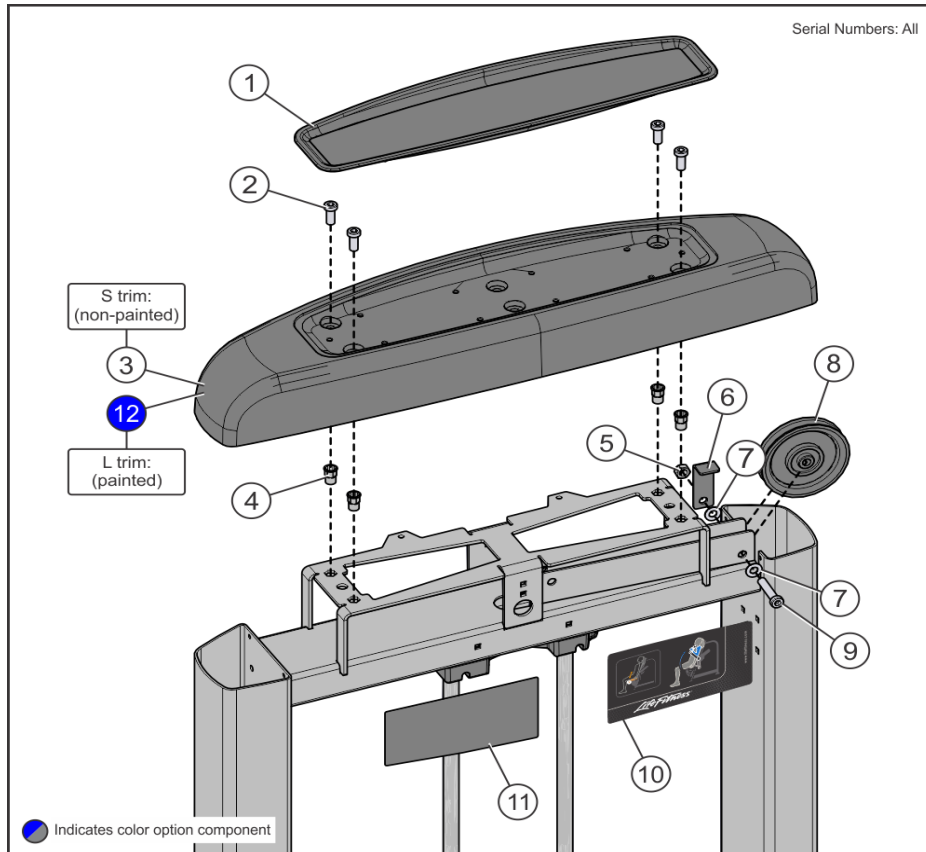
Ref #	Part Number	Qty	Description
3	1003205-0002	1	SHROUD, SS, REAR, SRT, ABS-BAM
3	1003205-0004	1	SHROUD, SS, REAR, SRT, ABS-BRZ
4	AK58-00245-2401	1	MEDALLION-ASSY: BUG, LIFE FITNESS, CHARCOAL GRAY

S and L Trim Tower Top



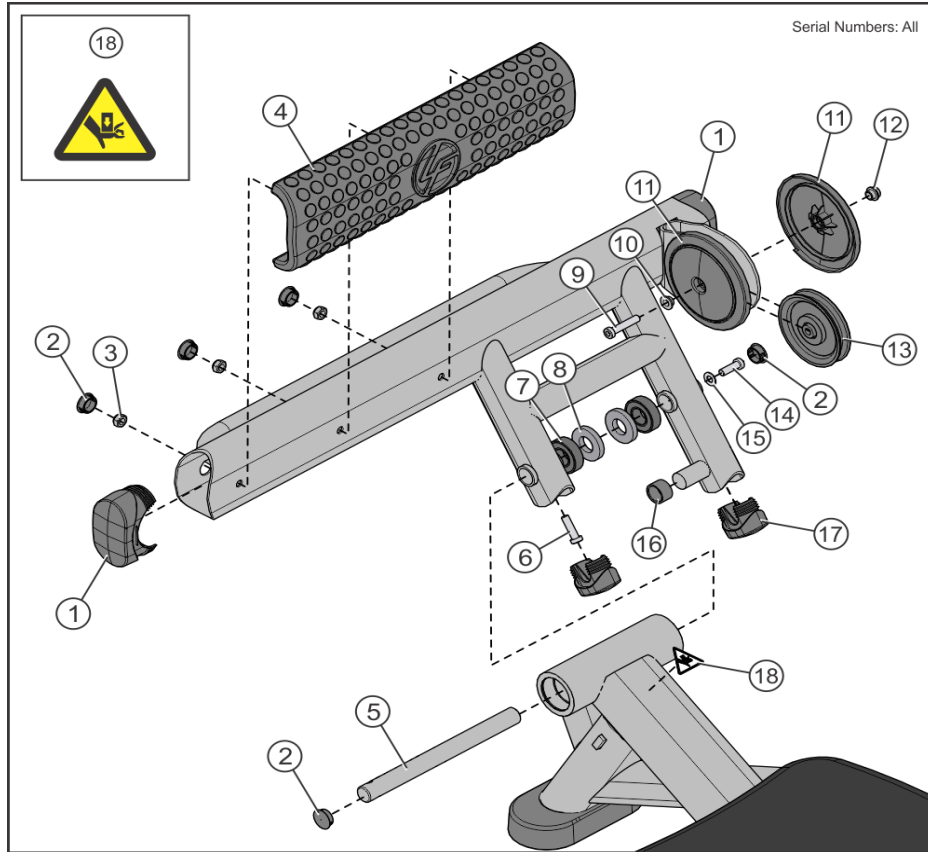
Ref #	Part Number	Qty	Description
1	3236801	1	NUT, NYLOCK M10 X 1.5 SS
2	6757701	1	CLIP, CABLE 2-7/8 X 1 X 1
3	9319901	1	PULLEY, 3/16 IN CABLE (T2), 4.5 IN OD
4	3236601	1	WASHER, 3/8 SAE STAINLESS STEEL
5	3236207	1	M10 X 1.5 X 50 SHCS, LOW HEAD
6	1006334-0001	1	ASSY, DUMMY HOUSING
7	1006620-0001	1	RETAINER: PANEL, 9/32 X 1/2 NYL
8	3275801	3	SCREW, 8 X 3/4 DIN PHL PAN AB ST ZB
9	0017-00042-1147	3	GROMMET: SCREW, 8 OR 10

Tower Top



Ref #	Part Number	Qty	Description
1	9411201	1	TRAY, TOWER TOP CAP
2	3236202	4	M10 X 1.5 X 25 SHCS, LOW HEAD
3	9436701	1	CAP, TOWER, TOP, PLASTIC
4	3238601	4	M10X1.5 BLIND THREADED INSERT (HEX)
5	3236801	1	NUT, NYLOCK M10 X 1.5 SS
6	6757701	1	CLIP, CABLE 2-7/8 X 1 X 1
7	3236601	2	WASHER, 3/8 SAE STAINLESS STEEL
8	9319901	1	PULLEY, 3/16 IN CABLE (T2), 4.5 IN OD
9	3236208	1	M10 X 1.5 X 55 SHCS, LOW HEAD
10	9476301	1	LABEL, SS-CE PLACARD, RH
11	9464707	1	LABEL, SS-CE PLACARD, LH - JAP
11	9464704	1	LABEL, SS-CE PLACARD, LH - SPN
11	9464712	1	LABEL, SS-CE PLACARD, LH - CHI
11	9464710	1	LABEL, SS-CE PLACARD, LH - RUS
11	9464701	1	LABEL, SS-CE PLACARD, LH - ENG
11	9464708	1	LABEL, SS-CE PLACARD, LH - POR
12	9412699	1	CAP, SS, CAST Custom

Work Arm



Ref #	Part Number	Qty	Description
1	7333902	2	CAP, LARGE FLOV-END; CHGR
2	3237407	5	PLUG, 1 IN HOLE
3	3236801	3	NUT, NYLOCK M10 X 1.5 SS
4	7523702	1	ASSY, FOOT OVERMOLDED FZCE
5	7569101	1	FZCE-SHAFT
6	3236204	1	M10 X 1.5 X 35 SHCS, LOW HEAD
7	3235601	2	BEARING, 6205 BALL
8	7568901	2	SPACER, FZCE
9	3236207	1	M10 X 1.5 X 50 SHCS, LOW HEAD
10	7630101	1	RETAINER, CM/MJ, PULLEY
11	8104502	2	COVER, PULLEY-BOLTED NOTCHED
12	7335401	1	NUT, M10 X 1.5 SOCKET HEAD
13	3237802	1	PULLEY, 1/4 IN CABLE (T3), 4.5 IN OD
14	3236203	1	M10 X 1.5 X 30 SHCS, LOW HEAD
15	3236601	1	WASHER, 3/8 SAE STAINLESS STEEL
16	7690103	1	BUMPER, SLEEVE - 1 INCH DIA
17	7333802	2	CAP, SMALL FLOV-END
18	8039501	1	LABEL, WARNING TRIANGLE

