

INSIGNIA SERIES ASSIST DIP CHIN

SS-ADC-2709686-X

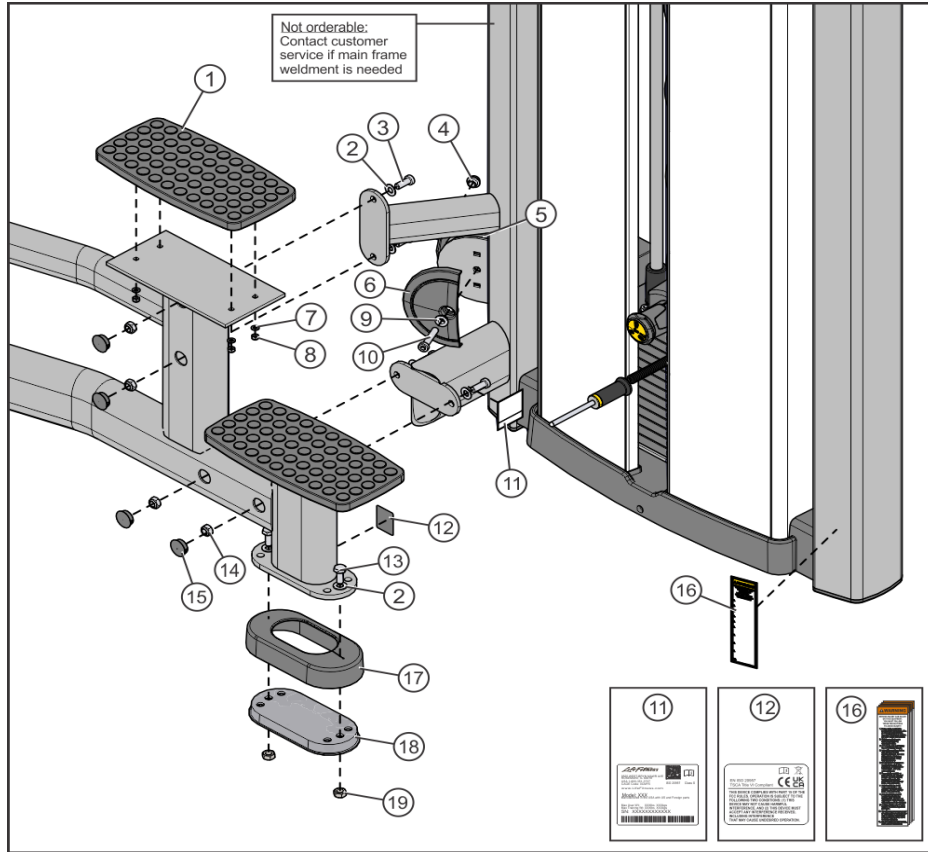
Parts Manual

4/25/2025 11:21:18 AM

Table of Contents

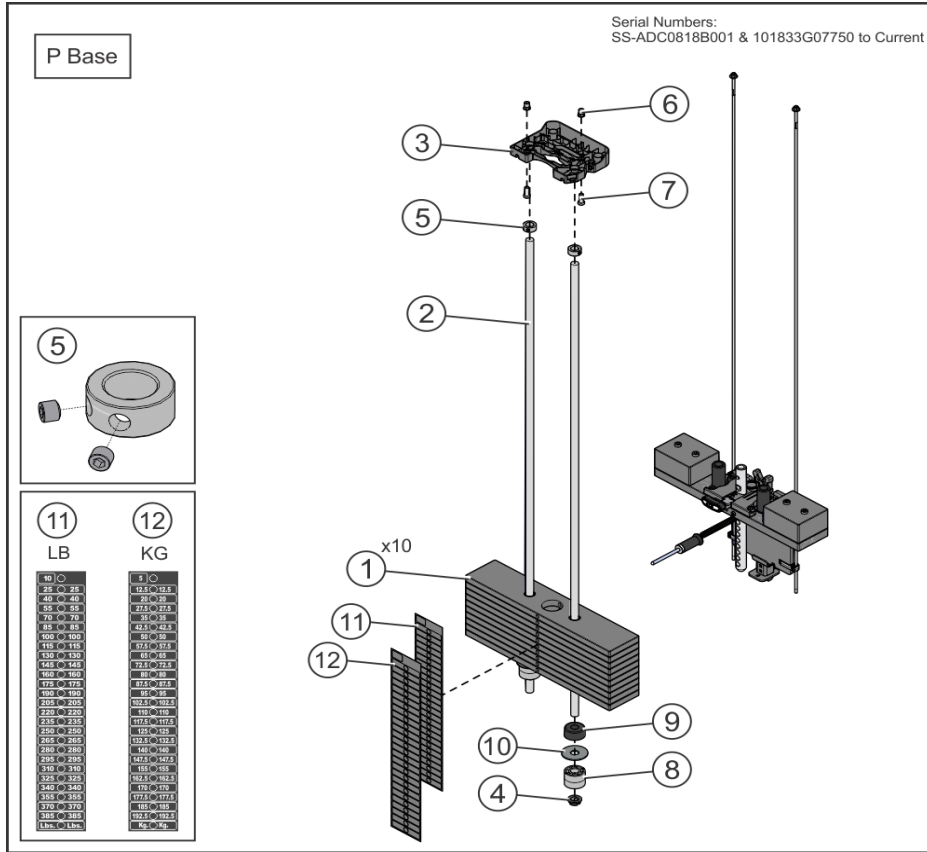
Base	3
Base P-Stack	4
Base T-Stack Head Plate Assy (previous)	5
Base T-Stack (previous)	6
Cable	7
Carriage	8
Chin Up	10
C and X Head Plate	11
C and X Increment Weights	12
Dip	13
Full Shroud	14
Grips	15
Heavy X-Stack	16
Heavy X-Stack (previous)	17
Light C-Stack	18
Light C-Stack (previous)	19
LF Connect Retro-Fit Kit Serial Number	20
L Trim Rep Counter	21
Previous C and X Increment Weights	22
Previous C and X Increment Weight Assembly	23
P-Stack Head Plate Assy	24
P-Stack Increment Weight	25
Rear Shroud	26
Shroud Wraps	27
Tower Top	29
Tower Top Trim	30
Trims	31

Base



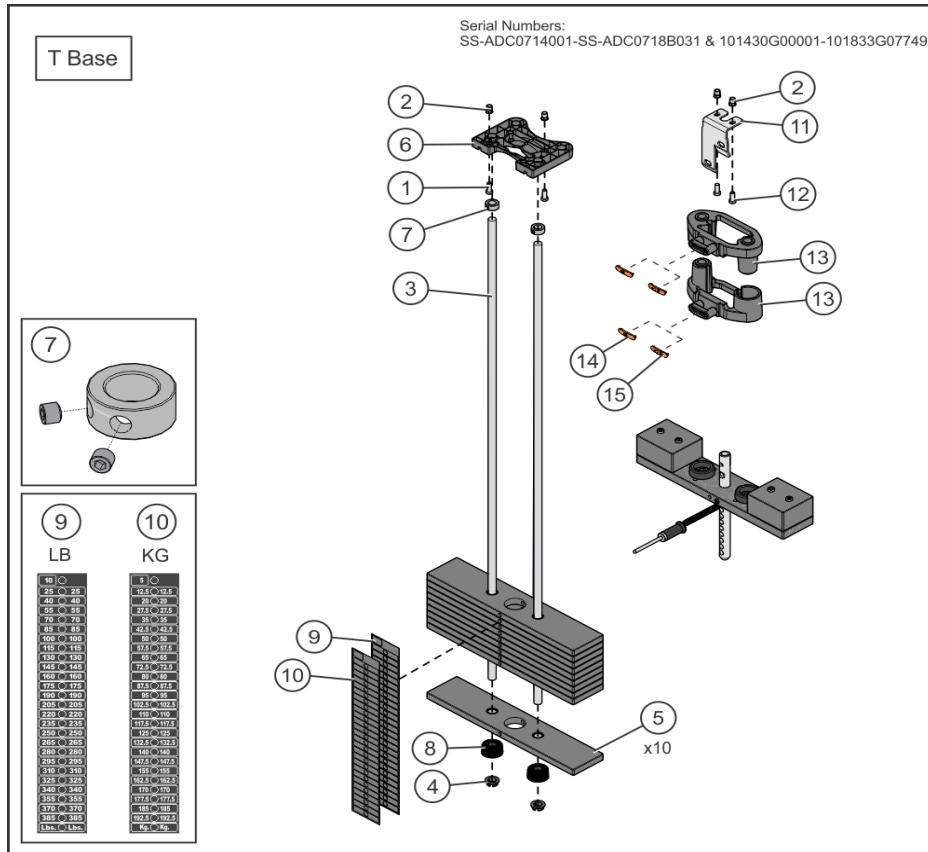
Ref #	Part Number	Qty	Description
1	7640302	2	FOOT PAD, CM/MJ OVERMOLD
2	3236601	6	WASHER, 3/8 SAE STAINLESS STEEL
3	3236202	4	M10 X 1.5 X 25 SHCS, LOW HEAD
4	7335401	1	NUT, M10 X 1.5 SOCKET HEAD
5	9319901	1	PULLEY, 3/16 IN CABLE (T2), 4.5 IN OD
6	8094102	2	COVER, PULLEY -BOLTED PARTIAL -CHGR
7	3241801	8	WASHER, FLAT 6MM SS
8	3236802	8	NUT, M6 X 1 HEX NYLOCK SS
9	7630101	1	RETAINER, CM/MJ, PULLEY
10	3236207	1	M10 X 1.5 X 50 SHCS, LOW HEAD
11	7571301	1	LABEL, SERIAL NUMBER
12	9488901	1	LABEL, INSIGNIA, FCC
13	3251202	2	M10 X 1.5 X 25MM UNS HEX CS ST ZN
14	3236801	4	NUT, NYLOCK M10 X 1.5 SS
15	3237407	4	PLUG, 1 IN HOLE
16	8220000	1	LABEL, ASTM WARNING FW SELECT
17	9319401	1	COVER, FOOT -STRT
18	9319301	1	FOOT, 2.5 X 4.49 FLOV
19	3254703	2	NUT, M10 X 1.5 HEX ZINC

Base P-Stack



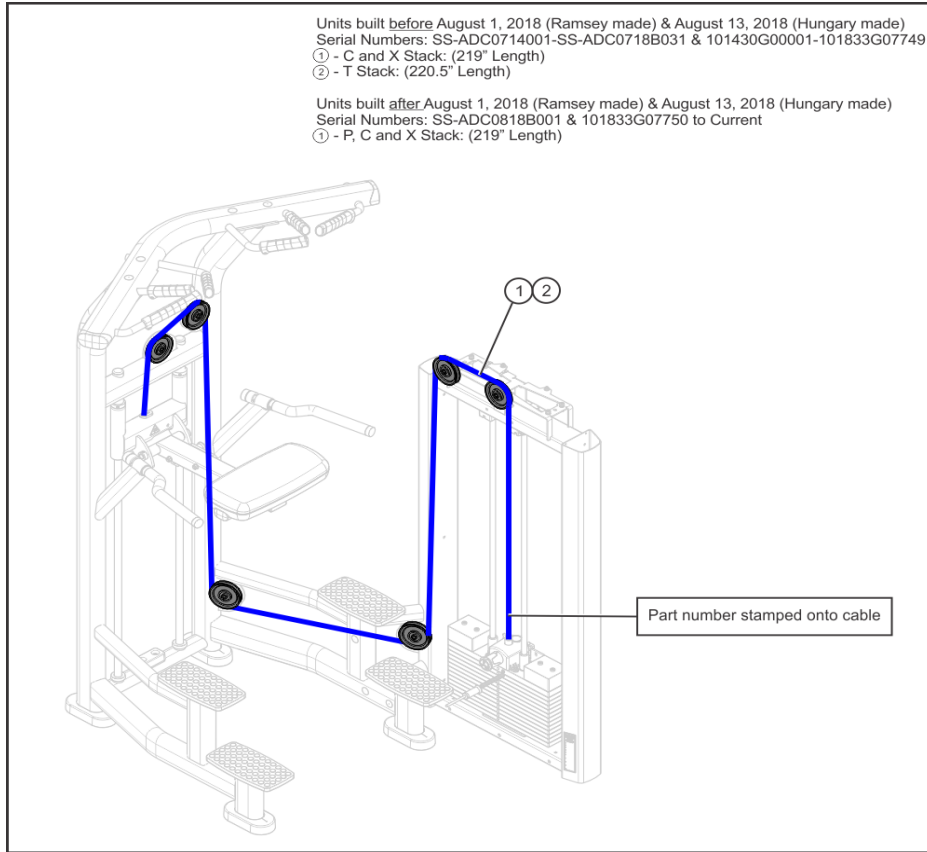
Ref #	Part Number	Qty	Description
1	9407601	10	WGT PL, 3/4IN X 4IN, 15LB
2	7328624	2	GUIDE ROD, .75 OD SOLID X 56.92
3	1015452-0001	1	RETAINER: GUIDE ROD, NYL
4	7337901	2	BUSHING, GUIDE ROD
5	3103301	2	SHAFT COLLAR, 3/4" ID ZINC
6	3238601	2	M10X1.5 BLIND THREADED INSERT (HEX)
7	3236202	2	M10 X 1.5 X 25 SHCS, LOW HEAD
8	1004349-0001	2	SPACER, WGT STK, 2 PL8
9	7352101	2	CUSHION, WEIGHT STACK
10	1010765-0001	2	WASHER: 0.80 OD, 11GA
11	9475101	1	LABEL, 3/4 IN WGT STACK, 385 LB
12	9475401	1	LABEL, 3/4 IN WGT STACK, 192.5 KG

Base T-Stack (previous)



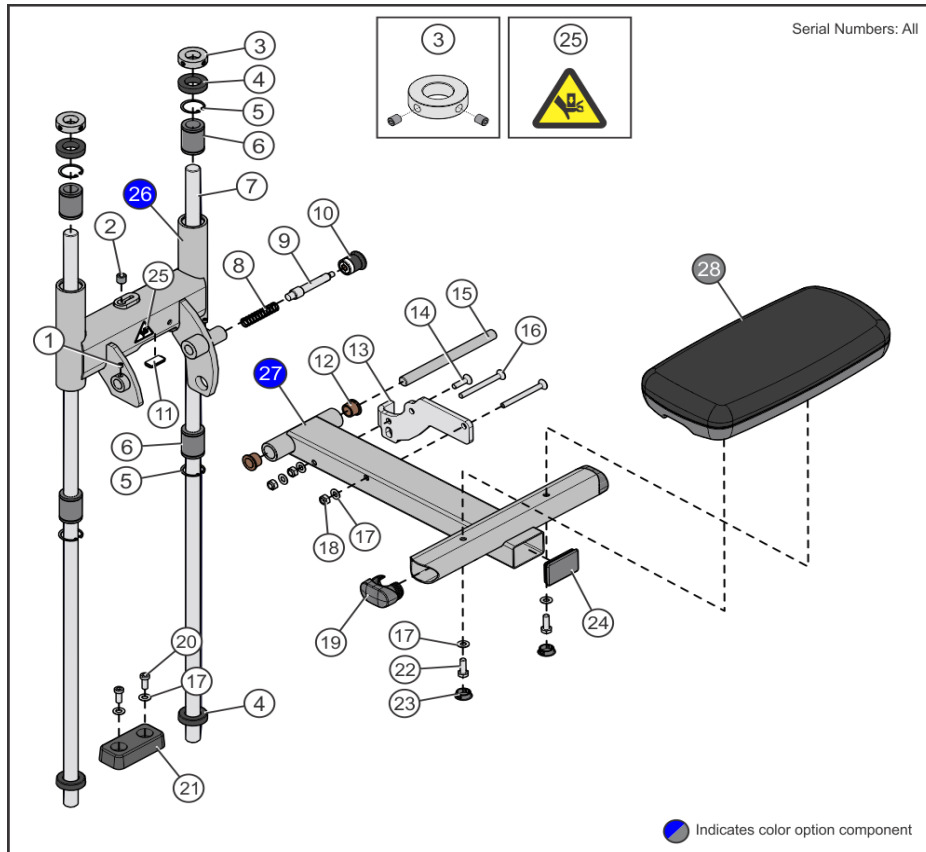
Ref #	Part Number	Qty	Description
1	3236203	2	M10 X 1.5 X 30 SHCS, LOW HEAD
2	3238601	4	M10X1.5 BLIND THREADED INSERT (HEX)
3	7328624	2	GUIDE ROD, .75 OD SOLID X 56.92
4	7337901	2	BUSHING, GUIDE ROD
5	9407601	10	WGT PL, 3/4IN X 4IN, 15LB
6	1015452-0001	1	RETAINER: GUIDE ROD, NYL
7	3103301	2	SHAFT COLLAR, 3/4" ID ZINC
8	7352101	2	CUSHION, WEIGHT STACK
9	9475101	1	LABEL, 3/4 IN WGT STACK, 385 LB
10	9475401	1	LABEL, 3/4 IN WGT STACK, 192.5 KG
11	9430801	1	BRKT, INC WGT STRIKER
12	3236202	2	M10 X 1.5 X 25 SHCS, LOW HEAD
13	9455403	2	ASSY, DD INC WGT -YEL
14	9462303	1	CAP, DD INC WGT, YEL -LBS
15	9462403	1	CAP, DD INC WGT, YEL -KG

Cable



Ref #	Part Number	Qty	Description
1	9423908	1	CABLE, SS-ADC, DIAL

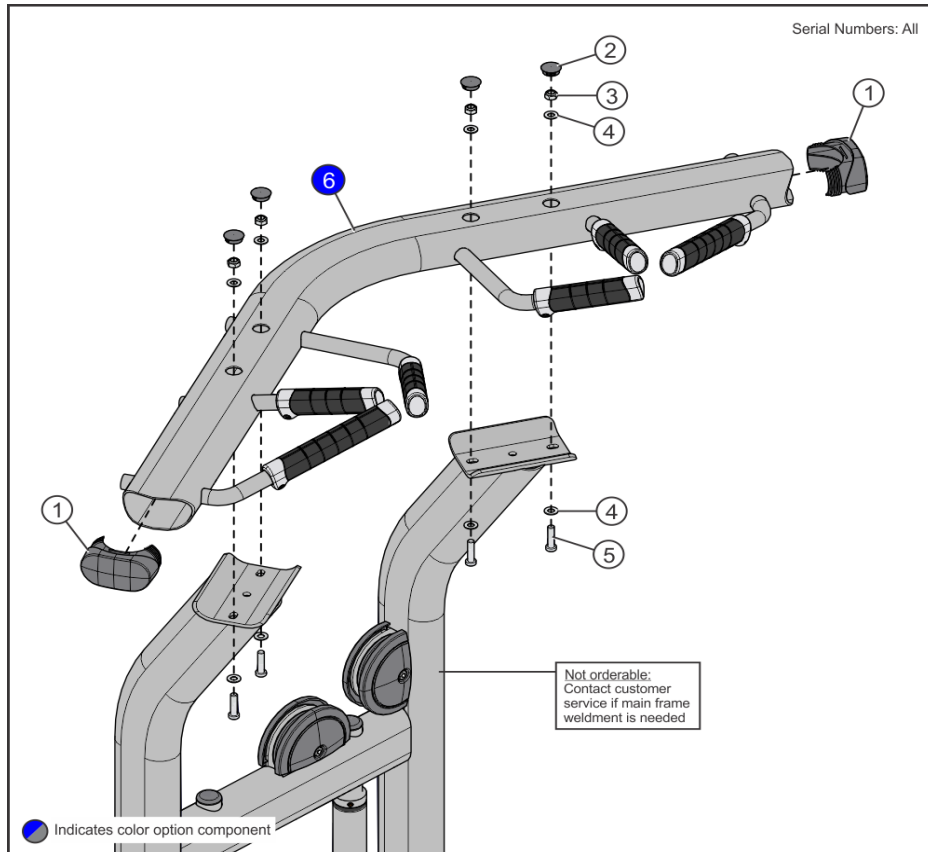
Carriage



Ref #	Part Number	Qty	Description
1	3242901	2	SET SCREW, 5/16-18 X 1/4
2	3271801	1	SCREW, SET, M16 X 2.0 X 16
3	7901101	2	SHAFT COLLAR, 1 IN ALUM
4	7946201	4	BUMPER, PSADC CARRIAGE
5	3202601	4	RET RING, INT 1-3/4 DIA X1/16
6	3245601	4	BEARING, LINEAR 1" ID
7	7619801	2	GUIDE ROD, 1" DIA CASE HARDNED X 52"
8	7351501	1	SPRING; PULL PIN LARGE
9	7351301	1	PIN, PULL X 4.375
10	9454703	1	KNOB, ADJ
11	7570802	1	GUARD, PAINT, 1.25 x .75 x .25, BLK
12	3104901	2	BEARING, FLG .75 ID X 1.00 OD
13	8942201	1	STRIKER PLATE, FZADC
14	3238304	1	SCREW, M10 FLTHD X 35MM
15	8939601	1	SHAFT, FZADC FOOT BAR PIVOT
16	3238317	2	SCREW, M10 FLTHD X 100MM
17	3236601	7	WASHER, 3/8 SAE STAINLESS STEEL
18	3236801	3	NUT, NYLOCK M10 X 1.5 SS
19	7333802	2	CAP, SMALL FLOV-END
20	3236202	2	M10 X 1.5 X 25 SHCS, LOW HEAD
21	8832301	1	SMALL BUMPER (VEN# MM3)
22	3251203	2	M10 X 1.5 X 30MM UNS HEX CS ST ZN

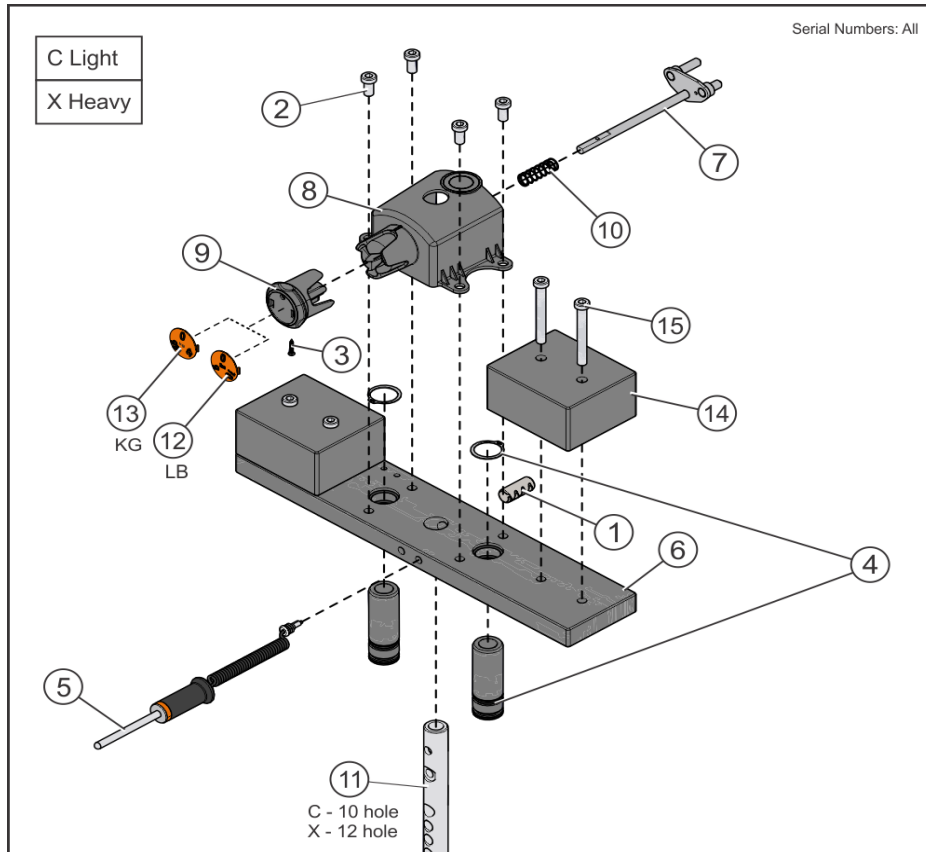
Ref #	Part Number	Qty	Description
23	3237407	2	PLUG, 1 IN HOLE
24	1009553-0001	1	CAP, 2IN X 3IN 11-14GA, END
25	8039501	1	LABEL, WARNING TRIANGLE
26	9322000	1	WLDMT, SS-ADC CARRIAGE Custom
27	8939100	1	WLDMT, FZADC FOOT BAR Custom
28a	1000006-0099	1	PAD, 18 X 9 CONVEX CUS, SNGL STITCH- Custom
28b	1000006-0199	1	PAD, 18 X 9 CONVEX CUS, DBL STITCH- Custom

Chin Up



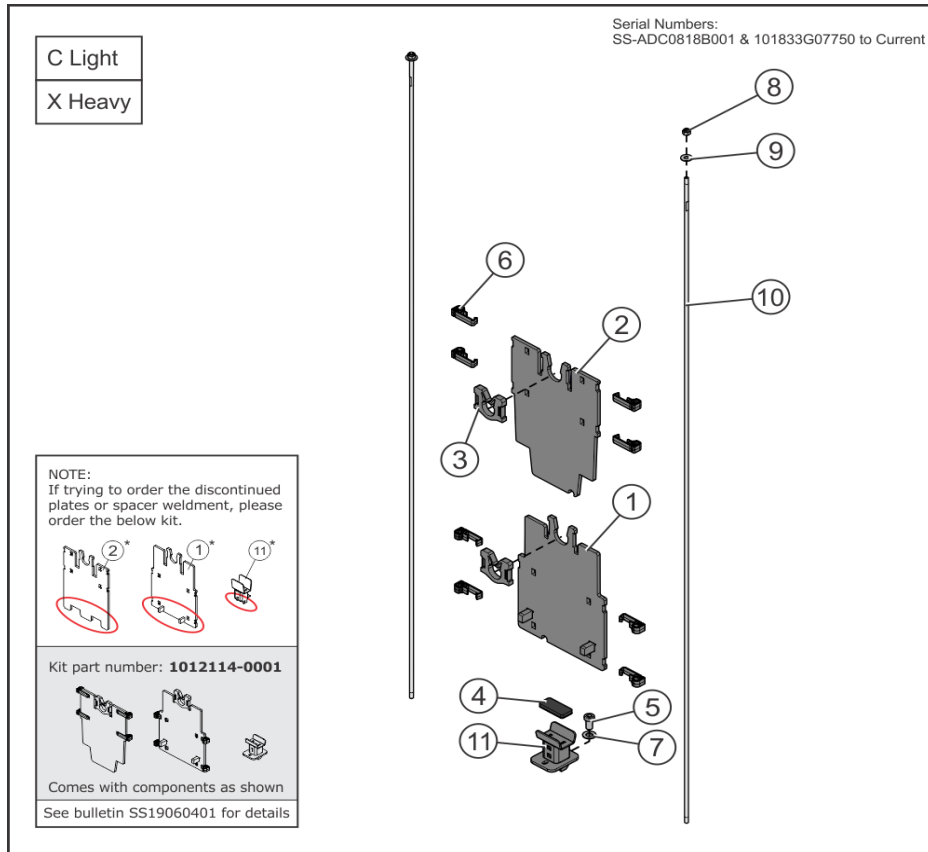
Ref #	Part Number	Qty	Description
1	7333902	2	CAP, LARGE FLOV-END; CHGR
2	3237407	4	PLUG, 1 IN HOLE
3	3236801	4	NUT, NYLOCK M10 X 1.5 SS
4	3236601	8	WASHER, 3/8 SAE STAINLESS STEEL
5	3236205	4	M10 X 1.5 X 40 SHCS, LOW HEAD
6	9321500	1	WLDMT, SS-ADC CHIN UP Custom

C and X Head Plate



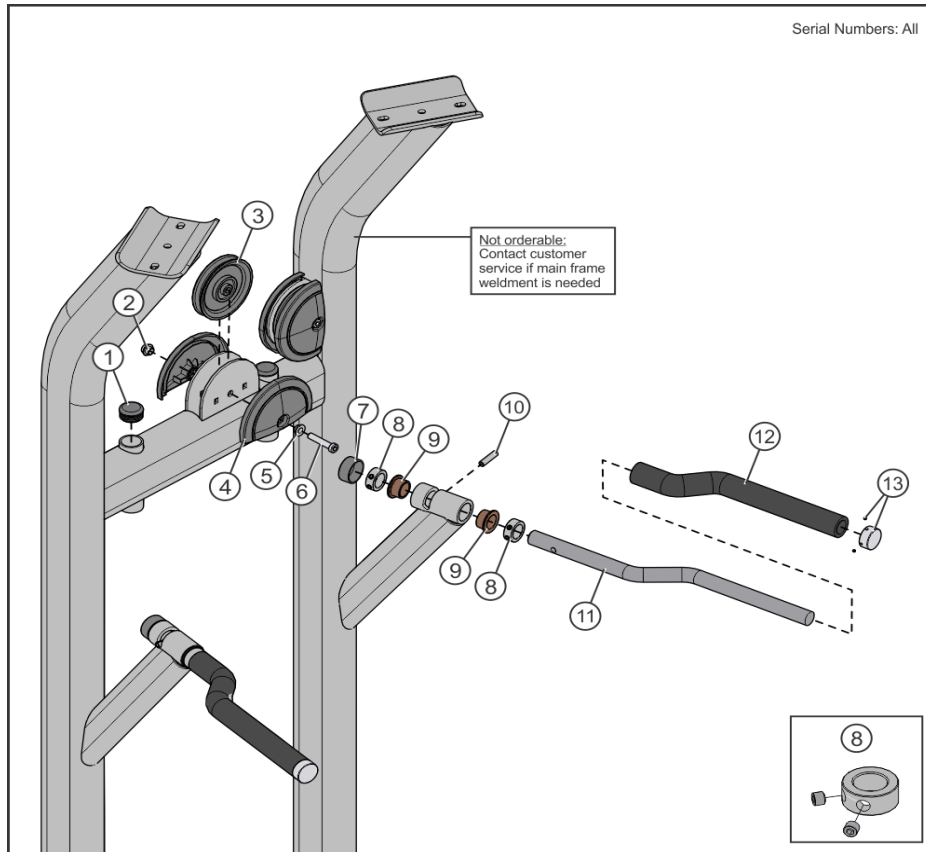
Ref #	Part Number	Qty	Description
1	3236001	1	BUSHING, SPRING PIN
2	3236201	4	M10 X 1.5 X 20 SHCS, LOW HEAD
3	3275601	1	SCREW, 6 X 3/4 DIN PHL PAN AB ST ZB
4	9296001	2	BUSHING, HEADPLATE, LONG
5	1003679-0003	1	ASSY, WGT STK SEL PIN -YEL
6	9431101	1	HEADPLATE, WT. STACK, 20LB
7	1010800-0001	1	WLDMT, INC WGT PIN
8	1017209-0001	1	HOUSING: INC WEIGHT
9	9443201	1	KNOB, INC WEIGHT
10	9443301	1	SPRING, INC WGT PIN
11a	9434201	1	BAYONET, 10 PLATE
11b	9426001	1	BAYONET, 12 PLATE
12	9431403	1	CAP, SELECTOR KNOB -LBS
13	9450103	1	CAP, SELECTOR KNOB -KGS
14	9433302	2	COUNTER WEIGHT, HEAD PLATE, 12.5LB
15	3236205	4	M10 X 1.5 X 40 SHCS, LOW HEAD

C and X Increment Weights



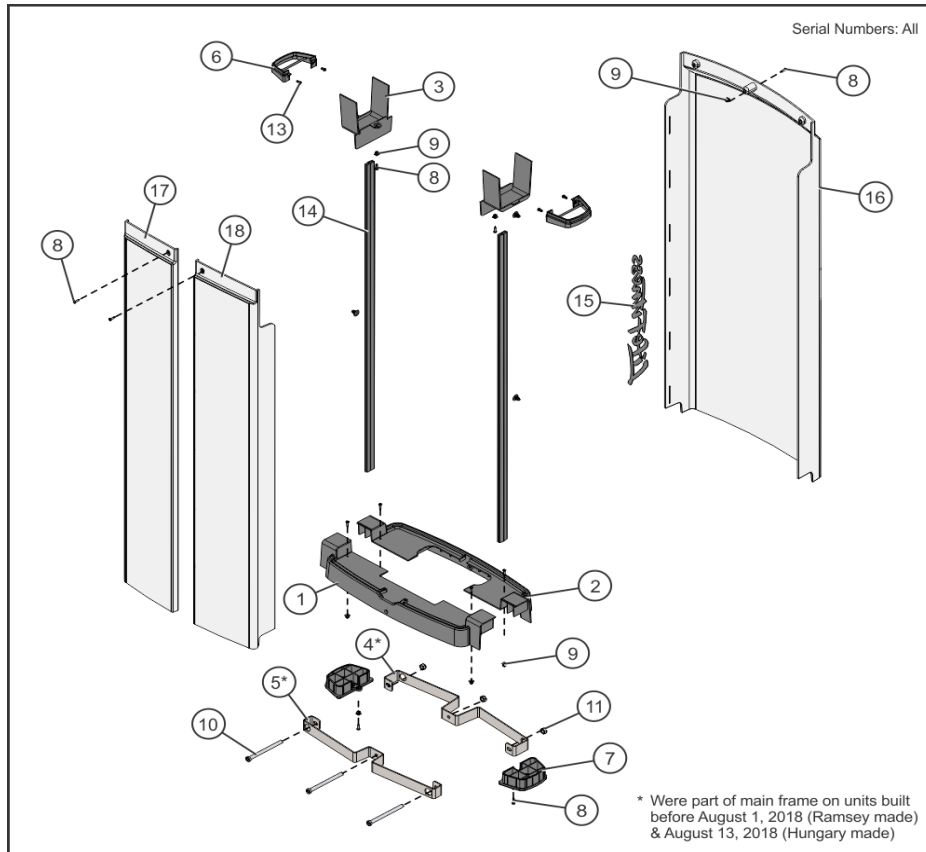
Ref #	Part Number	Qty	Description
1	1010971-2801	1	WLDMT: INC WEIGHT, 5LB, REAR -CHR
2	1010970-2801	1	PLATE: INC WEIGHT, 5LB, FRONT, 1/4" -CHR
3	1008920-0001	2	GUARD: INCREMENT WEIGHT, 0.25
4	1008552-0001	1	BUMPER: EA FOAM, INC WEIGHT
5	3236201	1	M10 X 1.5 X 20 SHCS, LOW HEAD
6	1010803-0001	8	GUIDE ROD ASSY: INCR WT, 1/4", CHARCOAL GRAY
7	3236601	1	WASHER, 3/8 SAE STAINLESS STEEL
8	3102806	2	NUT, NYLOCK 1/4-20
9	3102506	2	WASHER, FLAT 1/4 ID ZN
10	1008192-0003	2	GUIDE ROD: 0.25 OD SOLID, 61.308"
11	1018167-2801	1	WLDMT: BRACKET, INC WEIGHT SPACER, 1" -CHR

Dip



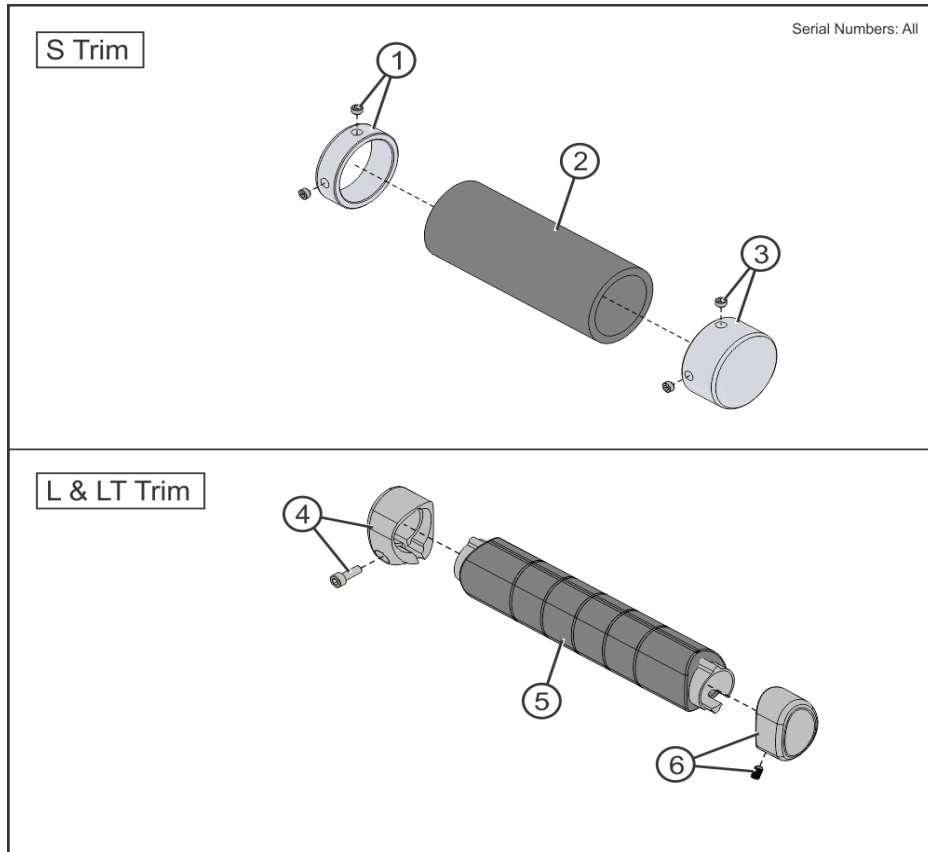
Ref #	Part Number	Qty	Description
1	3119306	2	CAP, END 1-1/2 DIA, 8-12GA
2	7335401	2	NUT, M10 X 1.5 SOCKET HEAD
3	9319901	2	PULLEY, 3/16 IN CABLE (T2), 4.5 IN OD
4	8094102	4	COVER, PULLEY -BOLTED PARTIAL -CHGR
5	7630101	2	RETAINER, CM/MJ, PULLEY
6	3236207	2	M10 X 1.5 X 50 SHCS, LOW HEAD
7	3242601	2	CAP END, 1.375 X .75 RD, BLACK
8	7435301	4	COLLAR, SHAFT 1.020 ID
9	3104903	4	BRNG, FLANGE 1.00 ID X 1.25 OD
10	3110004	2	ROLL PIN, 3/8 DIA X 1-1/2
11	8941901	2	BROUND, FZADC DIP
12	3235807	2	GRIP, 1.50 OD X .25 WALL OPEN END
13	7662902	2	CAP, GRIP 1.50 OD, 10-0133-026, BNR

Full Shroud



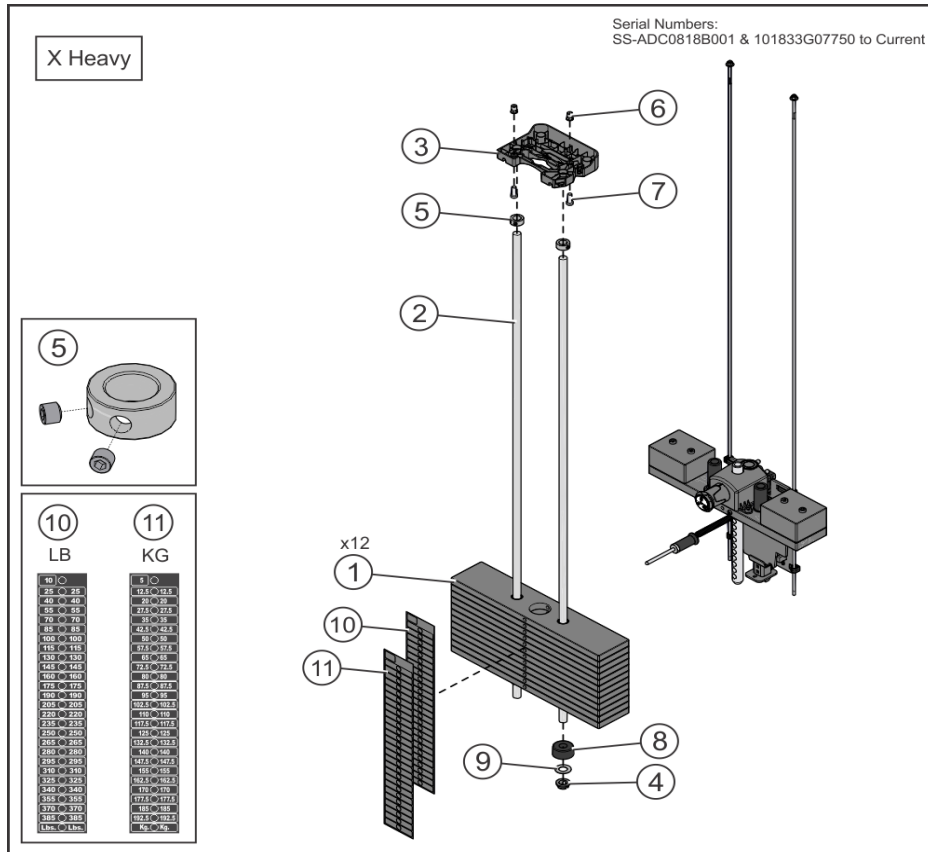
Ref #	Part Number	Qty	Description
1	9410801	1	COVER, TOWER BOTTOM -FRONT
2	1007064-0001	1	COVER: TOWER BOTTOM, REAR
3	9415701	2	COVER, SS, TWR
4	1007623-0001	1	BRACKET: TOWER GUARD, REAR
5	1007622-0001	1	BRACKET: TOWER GUARD, FRONT
6	9415801	2	GASKET, TRAP TUBE
7	9412701	2	ASSY, TRAP TUBE, CAP -BTM
8	3275801	11	SCREW, 8 X 3/4 DIN PHL PAN AB ST ZB
9	0017-00042-1147	9	GROMMET: SCREW, 8 OR 10
10	3236220	3	M10 X 1.5 X 130 SHCS, LOW HEAD
11	3236801	3	NUT, NYLOCK M10 X 1.5 SS
12	1006620-0001	4	RETAINER: PANEL, 9/32 X 1/2 NYL
13	0017-00101-1587	4	RVT 201X0413X.354 T NY NO
14	9414602	2	SHROUD EXTRUSION - LONG
15	9489101	1	LABEL, LIFE FITNESS, 20IN.
16	9489002	1	SHROUD, SS, REAR, TLL
17	9410602	1	SHROUD, TOWER FRONT, LT - LONG
18	9410702	1	SHROUD, TOWER FRONT, RT - LONG

Grips



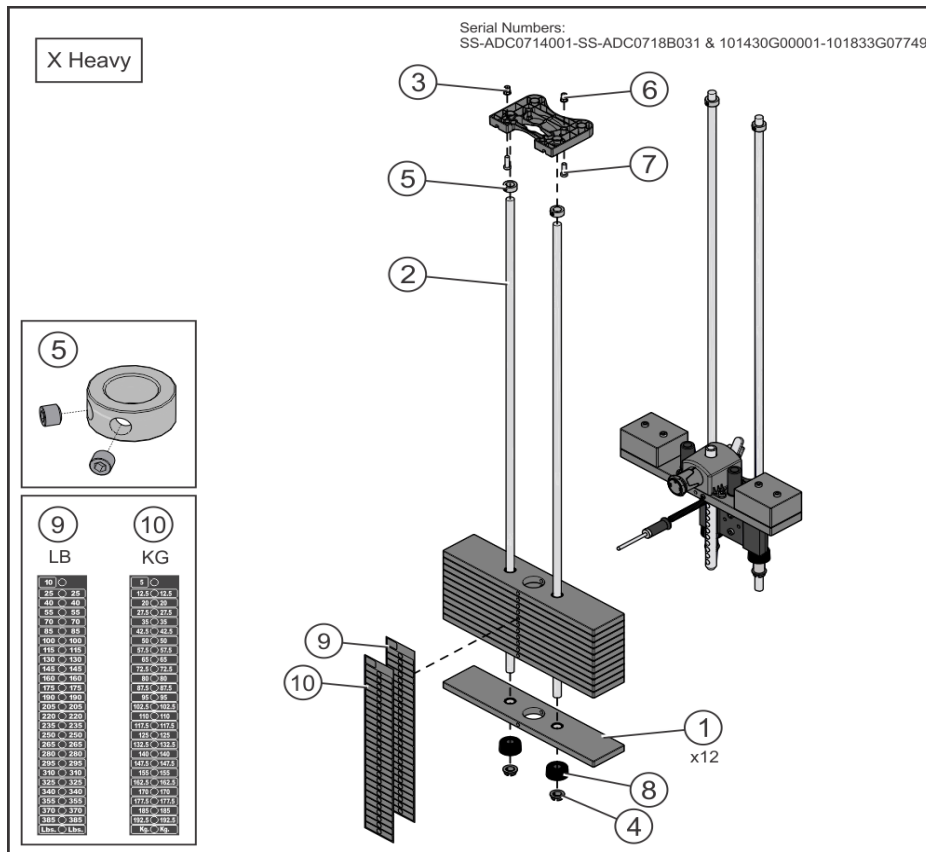
Ref #	Part Number	Qty	Description
1	7662801	1	RING, GRIP 1.25 OD
2	3235806	1	GRIP, 1.25 OD X .125 WALL OPEN END
3	7662901	1	CAP; GRIP 1.25 OD
4	1001760-0001	1	ASSY, COLLAR, ERGO GRIP
5	9453001	1	GRIP, ERGO, OVERMOLD, 6.5
6	1001761-0001	1	ASSY, CAP, GRIP

Heavy X-Stack



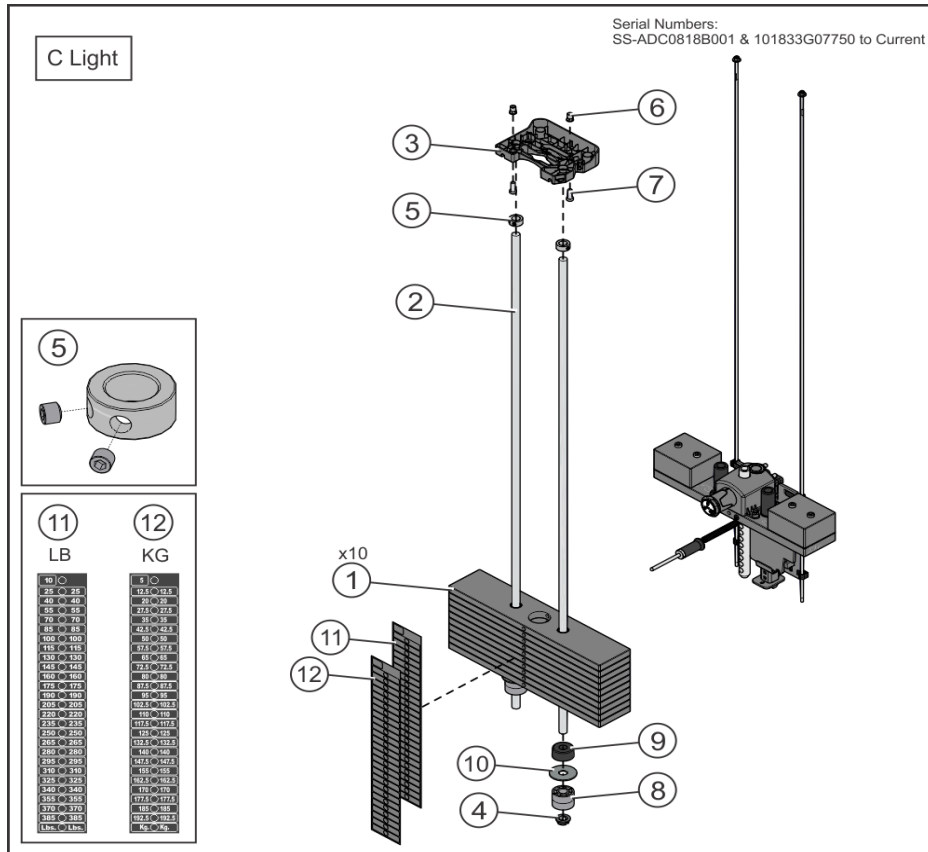
Ref #	Part Number	Qty	Description
1	9407601	12	WGT PL, 3/4IN X 4IN, 15LB
2	7328624	2	GUIDE ROD, .75 OD SOLID X 56.92
3	1015452-0001	1	RETAINER: GUIDE ROD, NYL
4	7337901	2	BUSHING, GUIDE ROD
5	3103301	2	SHAFT COLLAR, 3/4" ID ZINC
6	3238601	2	M10X1.5 BLIND THREADED INSERT (HEX)
7	3236202	2	M10 X 1.5 X 25 SHCS, LOW HEAD
8	7352101	2	CUSHION, WEIGHT STACK
9	7351001	2	SPACER, INC WT STACK
10	9475101	1	LABEL, 3/4 IN WGT STACK, 385 LB
11	9475401	1	LABEL, 3/4 IN WGT STACK, 192.5 KG

Heavy X-Stack (previous)



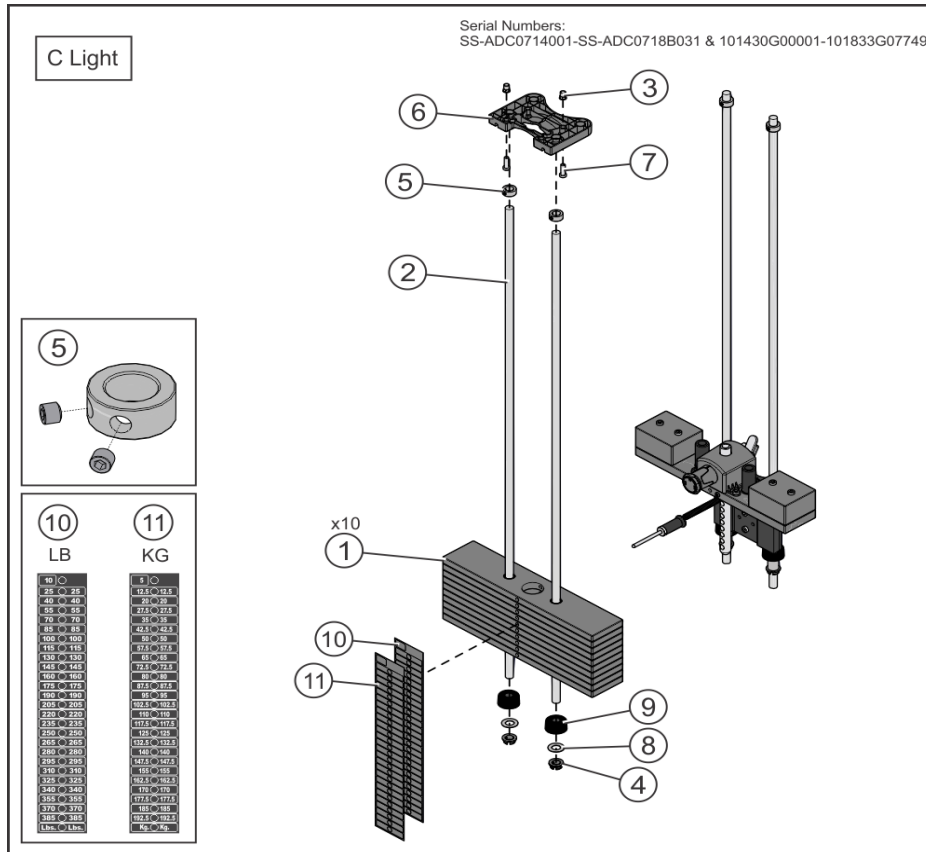
Ref #	Part Number	Qty	Description
1	9407601	12	WGT PL, 3/4IN X 4IN, 15LB
2	7328624	2	GUIDE ROD, .75 OD SOLID X 56.92
3	3238601	2	M10X1.5 BLIND THREADED INSERT (HEX)
4	7337901	2	BUSHING, GUIDE ROD
5	3103301	2	SHAFT COLLAR, 3/4" ID ZINC
6	1015452-0001	1	RETAINER: GUIDE ROD, NYL
7	3236202	2	M10 X 1.5 X 25 SHCS, LOW HEAD
8	7352101	2	CUSHION, WEIGHT STACK
9	9475101	1	LABEL, 3/4 IN WGT STACK, 385 LB
10	9475401	1	LABEL, 3/4 IN WGT STACK, 192.5 KG

Light C-Stack



Ref #	Part Number	Qty	Description
1	9407601	10	WGT PL, 3/4IN X 4IN, 15LB
2	7328624	2	GUIDE ROD, .75 OD SOLID X 56.92
3	1015452-0001	1	RETAINER: GUIDE ROD, NYL
4	7337901	2	BUSHING, GUIDE ROD
5	3103301	2	SHAFT COLLAR, 3/4" ID ZINC
6	3238601	2	M10X1.5 BLIND THREADED INSERT (HEX)
7	3236202	2	M10 X 1.5 X 25 SHCS, LOW HEAD
8	1004349-0001	2	SPACER, WGT STK, 2 PL8
9	7352101	2	CUSHION, WEIGHT STACK
10	1010765-0001	2	WASHER: 0.80 OD, 11GA
11	9475101	1	LABEL, 3/4 IN WGT STACK, 385 LB
12	9475401	1	LABEL, 3/4 IN WGT STACK, 192.5 KG

Light C-Stack (previous)



Ref #	Part Number	Qty	Description
1	9407601	10	WGT PL, 3/4IN X 4IN, 15LB
2	7328624	2	GUIDE ROD, .75 OD SOLID X 56.92
3	3238601	2	M10X1.5 BLIND THREADED INSERT (HEX)
4	7337901	2	BUSHING, GUIDE ROD
5	3103301	2	SHAFT COLLAR, 3/4" ID ZINC
6	1015452-0001	1	RETAINER: GUIDE ROD, NYL
7	3236202	2	M10 X 1.5 X 25 SHCS, LOW HEAD
8	7351001	2	SPACER, INC WT STACK
9	7352101	2	CUSHION, WEIGHT STACK
10	9475101	1	LABEL, 3/4 IN WGT STACK, 385 LB
11	9475401	1	LABEL, 3/4 IN WGT STACK, 192.5 KG

LF Connect Retro-Fit Kit Serial Number

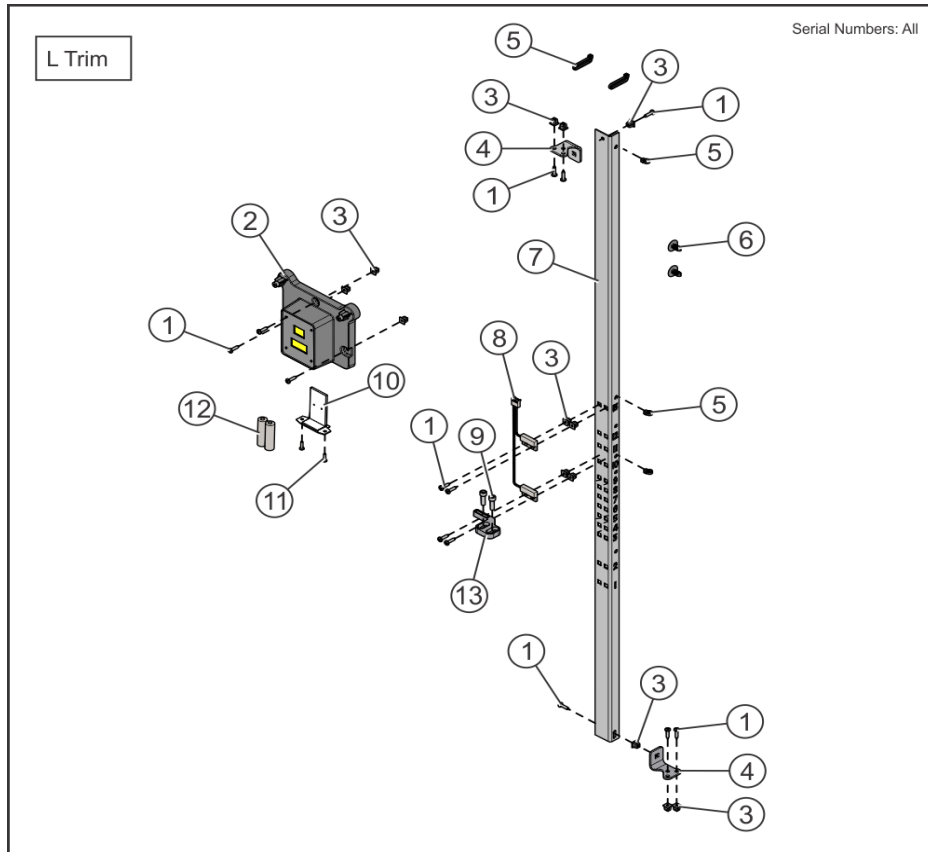
Product S/N Label

***LF Connect Retro-Fit Kit S/N Label**

* For LF Connect internet connectivity retro-fit kit replacement parts, please use the LF Connect retro-fit kit serial number on the LF Parts store: <https://fn.fit/Part Store> to access the related part manual.

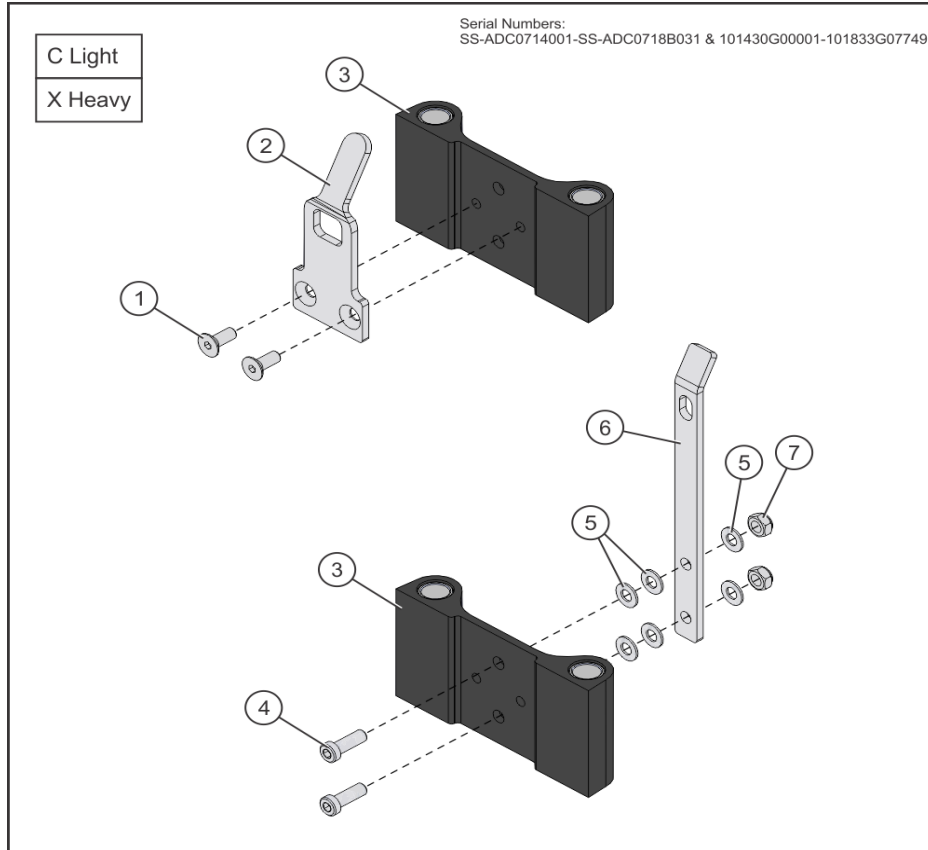
Ref #	Part Number	Qty	Description
-	7571301	1	LABEL, SERIAL NUMBER

L Trim Rep Counter



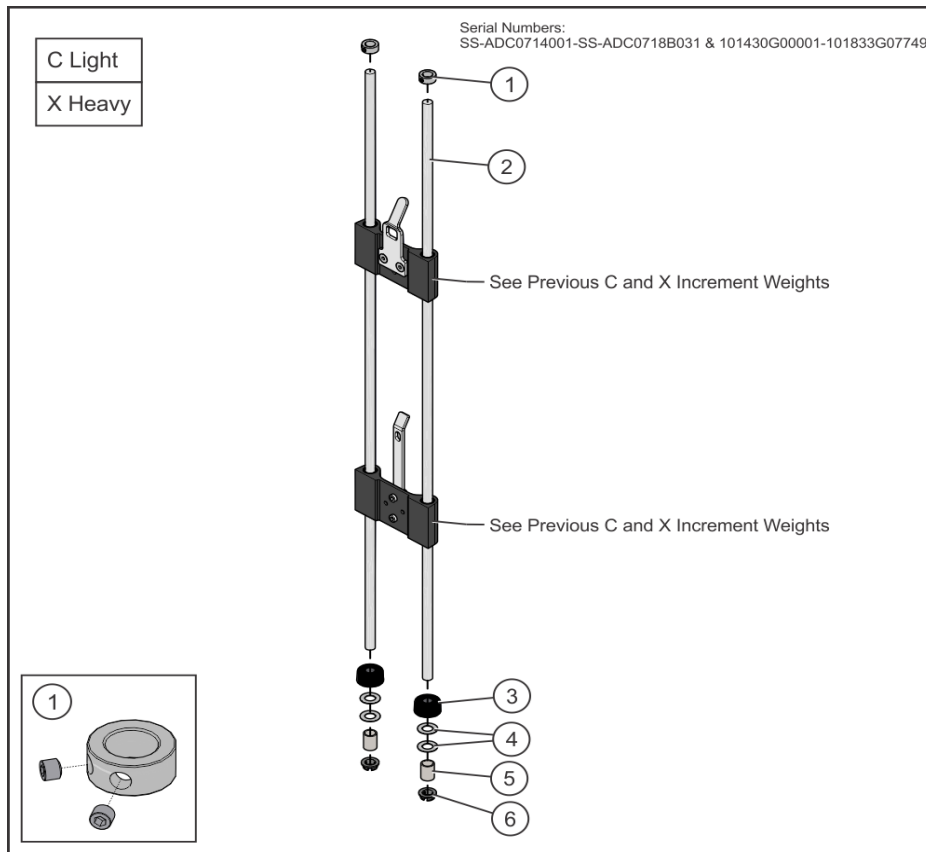
Ref #	Part Number	Qty	Description
1	3275801	13	SCREW, 8 X 3/4 DIN PHL PAN AB ST ZB
2	1008199-0001	1	ASSY: REP COUNTER/SWITCH/MAGNET
3	0017-00042-1147	13	GROMMET: SCREW, 8 OR 10
4	1007269-0028	2	BRACKET: RAIL MOUNT, REP CNTR -CHR
5	3276501	5	CABLE TIE 11 IN.
6	1006620-0001	2	RETAINER: PANEL, 9/32 X 1/2 NYL
7	1008005-0028	1	BRACKET: SWITCH MNT, TLL -CHR
9	3241701	2	M6 X 1 X 20MM SHCS, STD HEAD
10	9436401	1	DOOR, BATTERY PACK MOUNT
11	3226003	2	6-20 X 8 PHL PAN PLT ST BZ
12	3276401	2	BATTERY, AA
13	1007177-0001	1	ASSY: MAGNET, REP CNTR DCI

Previous C and X Increment Weights



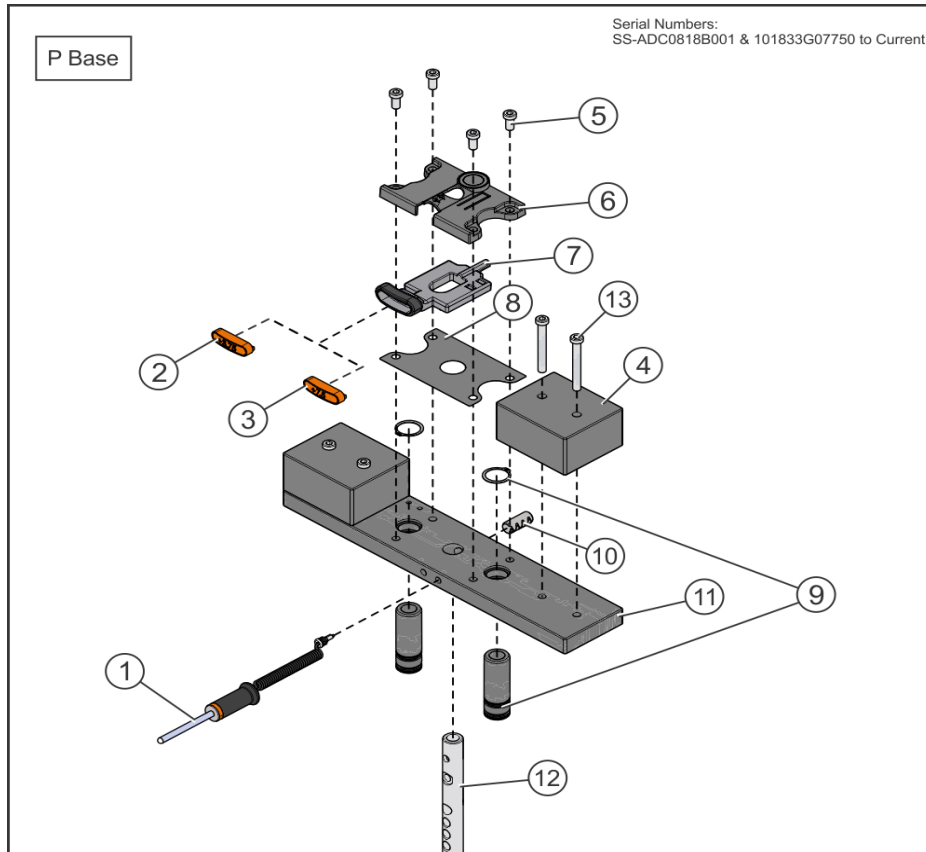
Ref #	Part Number	Qty	Description
1	3238302	2	SCREW, M10 FLTHD X 25MM
2	9428201	1	BRKT, INC WGT -5LB
3	9439701	2	ASSY, INC WGT, SUB
4	3275503	2	SCREW, M10 X 1.5 X 30 SHCS, LOW HEAD -NO PATCH
5	3236601	4	WASHER, 3/8 SAE STAINLESS STEEL
6	1001007-0001	1	BRKT, INC WGT -10LB
7	3236801	2	NUT, NYLOCK M10 X 1.5 SS

Previous C and X Increment Weight Assembly



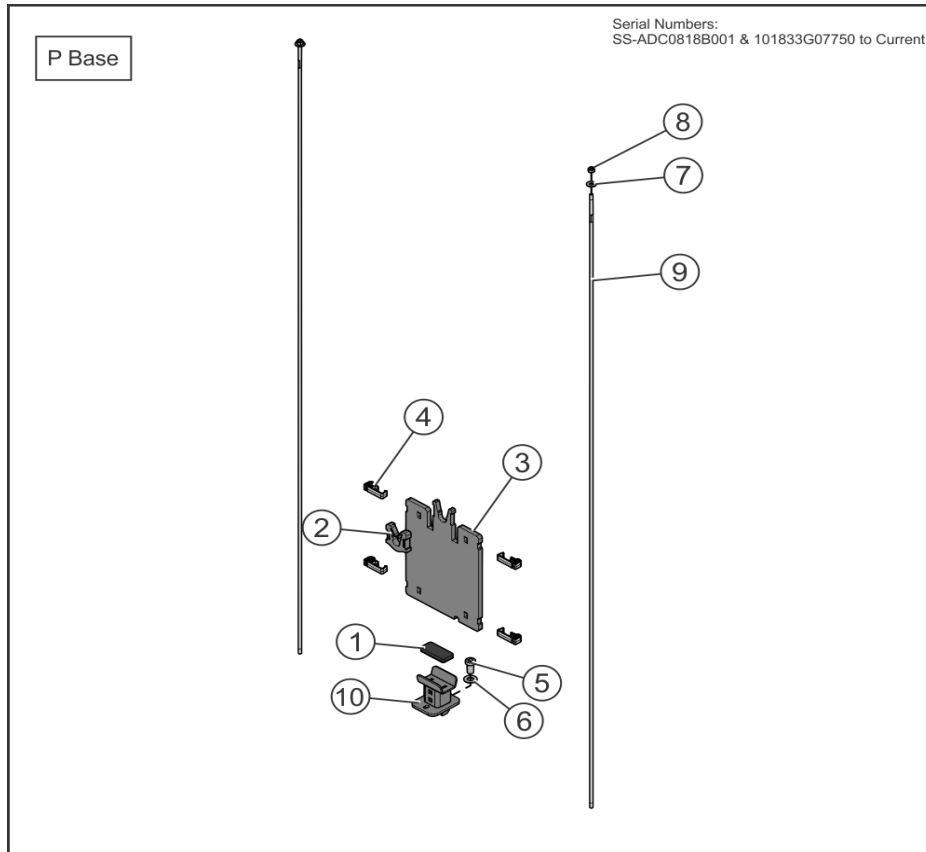
Ref #	Part Number	Qty	Description
1	3103301	2	SHAFT COLLAR, 3/4" ID ZINC
2	7328624	2	GUIDE ROD, .75 OD SOLID X 56.92
3	7352101	2	CUSHION, WEIGHT STACK
4	7351001	4	SPACER, INC WT STACK
5	7328705	2	SPACER, INC WT STACK 12 PLATE
6	7337901	2	BUSHING, GUIDE ROD

P-Stack Head Plate Assy



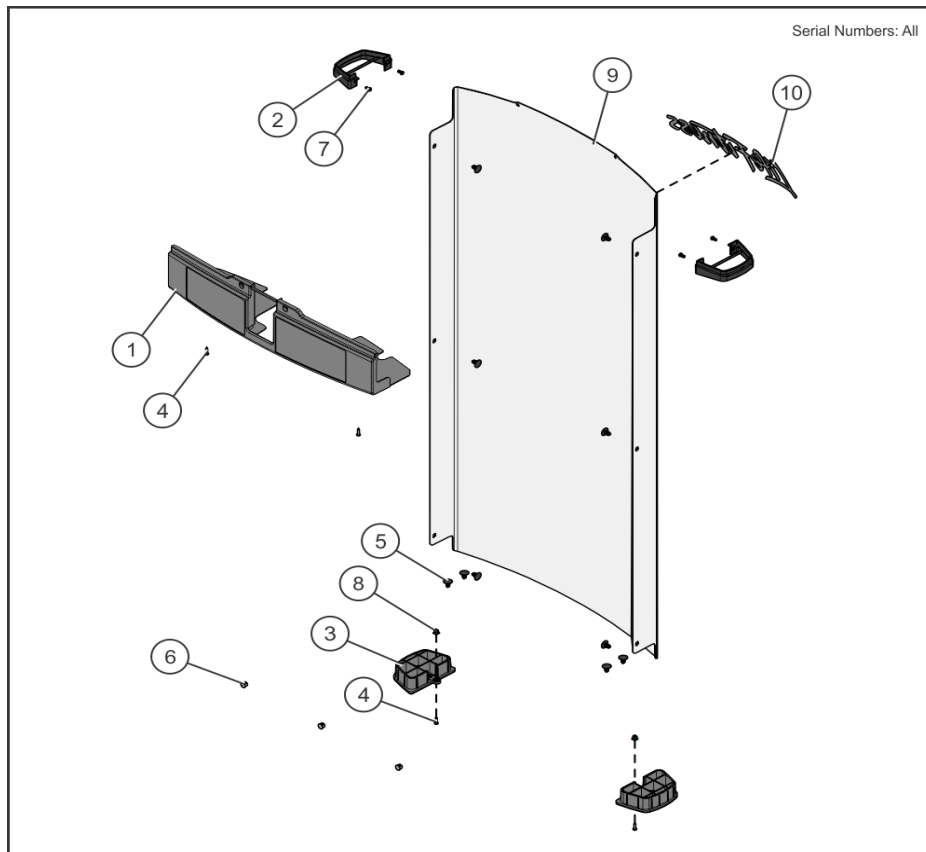
Ref #	Part Number	Qty	Description
1	1003679-0003	1	ASSY, WGT STK SEL PIN -YEL
2	1006751-0001	1	CAP: 3.75 KG INC WEIGHT - KG
3	1006750-0001	1	CAP, 7.5 LB INC WEIGHT - LBS
4	9433302	2	COUNTER WEIGHT, HEAD PLATE, 12.5LB
5	3236202	4	M10 X 1.5 X 25 SHCS, LOW HEAD
6	1017210-0001	1	HOUSHING: 7.5LB INC WEIGHT
7	1008675-0001	1	HANDLE: 7.5LB INC WT, PLASTIC
8	1006707-0001	1	DIE CUT: 7.5LB INC WEIGHT, NYLON SHEET, 0.020"
9	9296001	2	BUSHING, HEADPLATE, LONG
10	3236001	1	BUSHING, SPRING PIN
11	9431101	1	HEADPLATE, WT. STACK, 20LB
12	9434201	1	BAYONET, 10 PLATE
13	3236205	4	M10 X 1.5 X 40 SHCS, LOW HEAD

P-Stack Increment Weight



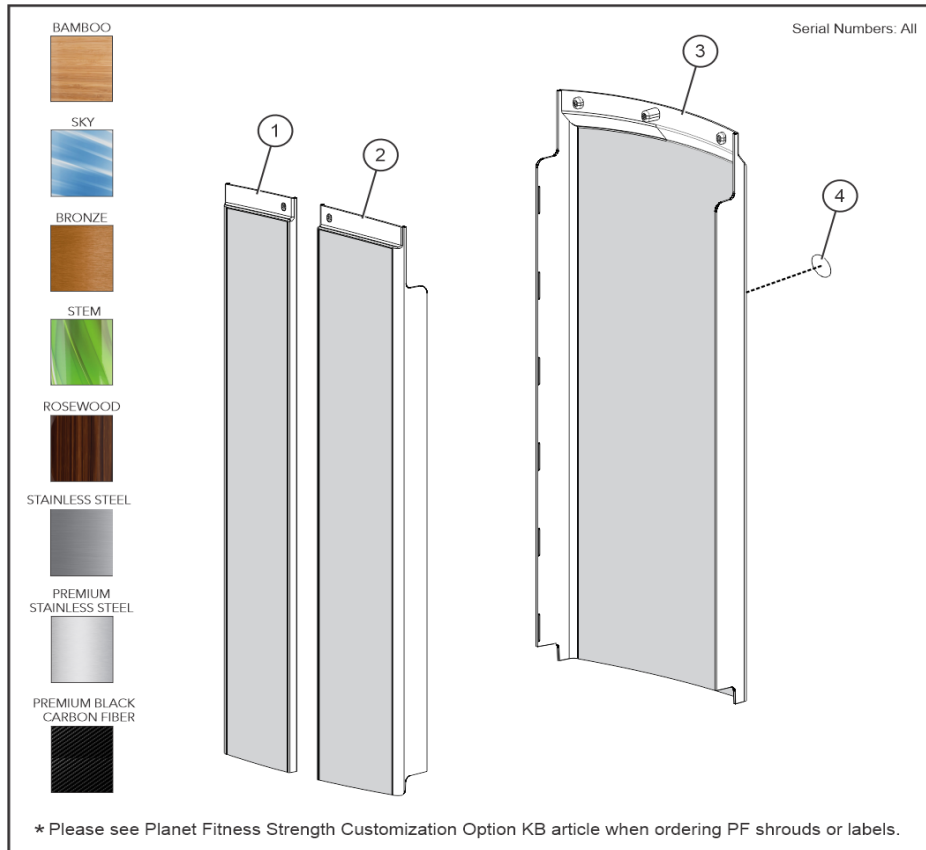
Ref #	Part Number	Qty	Description
1	1008552-0001	1	BUMPER: EA FOAM, INC WEIGHT
2	1008566-0001	1	GUARD: INCREMENT WEIGHT, 0.375
3	1008366-0028	1	PLATE: INCREMENT WEIGHT, 7.5LB - CHR
4	1010805-0001	4	GUIDE ROD ASSY: INCR WT, 3/8", CHARCOAL GRAY
5	3236201	1	M10 X 1.5 X 20 SHCS, LOW HEAD
6	3236601	1	WASHER, 3/8 SAE STAINLESS STEEL
7	3102506	2	WASHER, FLAT 1/4 ID ZN
8	3102806	2	NUT, NYLOCK 1/4-20
9	1008192-0003	2	GUIDE ROD: 0.25 OD SOLID, 61.308"
10	1018167-2801	1	WLDMT: BRACKET, INC WEIGHT SPACER, 1" -CHR

Rear Shroud



Ref #	Part Number	Qty	Description
1	1018509-0001	1	ASSY: TOP TRIM, PLACARD MNT
2	9415801	2	GASKET, TRAP TUBE
3	9412701	2	ASSY, TRAP TUBE, CAP -BTM
4	3275801	2	SCREW, 8 X 3/4 DIN PHL PAN AB ST ZB
5	1006620-0001	10	RETAINER: PANEL, 9/32 X 1/2 NYL
6	3237405	3	PLUG, 7/16 IN HOLE
7	0017-00101-1587	4	RVT 201X0413X.354 T NY NO
8	0017-00042-1147	2	GROMMET: SCREW, 8 OR 10
9	1009335-0002	1	SHROUD: REAR, W/LOGO, TLL
10	1008491-0001	1	LABEL, LIFE FITNESS, 16IN

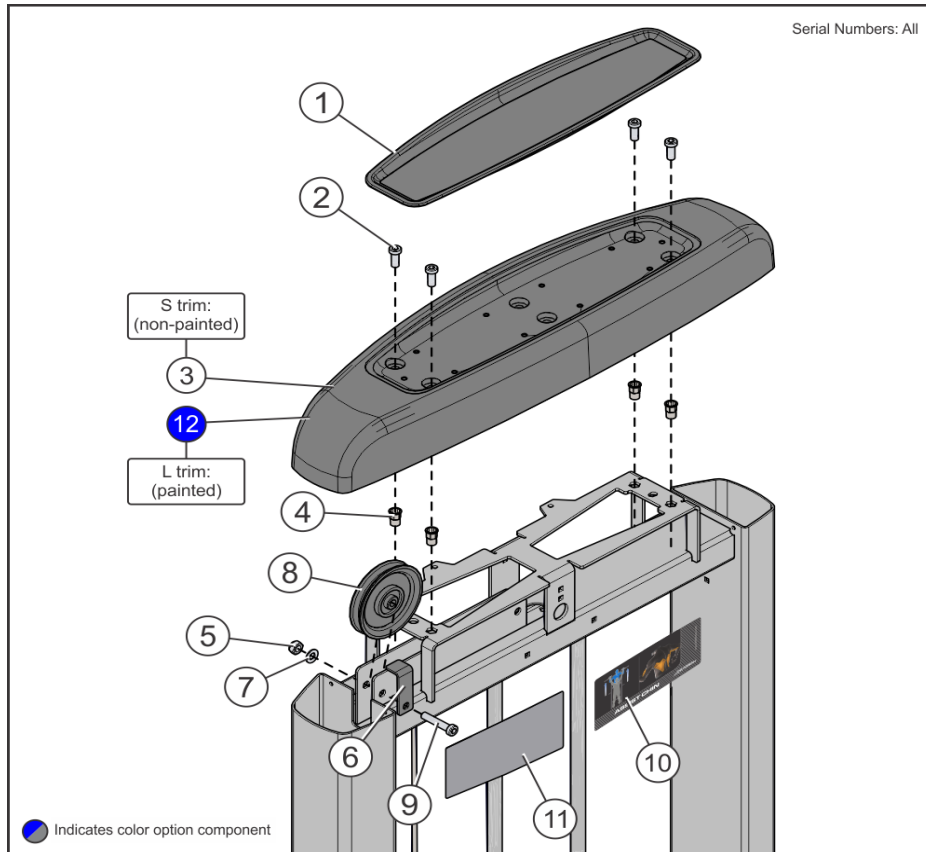
Shroud Wraps



Ref #	Part Number	Qty	Description
1b	1003204-0023	1	SHROUD, SS, FNT, LT, TLL, ABS-SKY
1d	1003204-0025	1	SHROUD, SS, FNT, LT, TLL, ABS-STM
1a	1003204-0022	1	SHROUD, SS, FNT, LT, TLL, ABS-BAM
1g	9511828	1	SHROUD, SS, FNT, LT, TLL-PSS
1g	9511829	1	SHROUD, SS, FNT, LT, TLL-PBCF
1c	1003204-0024	1	SHROUD, SS, FNT, LT, TLL, ABS-BRZ
1f	1003204-0027	1	SHROUD, SS, FNT, LT, TLL, ABS-SS
1e	1003204-0026	1	SHROUD, SS, FNT, LT, TLL, ABS-RSW
2d	1003203-0025	1	SHROUD, SS, FNT, RT, TLL, ABS-STM
2b	1003203-0023	1	SHROUD, SS, FNT, RT, TLL, ABS-SKY
2h	9511729	1	SHROUD, SS, FNT, RT, TLL-PBCF
2g	9511728	1	SHROUD, SS, FNT, RT, TLL-PSS
2f	1003203-0027	1	SHROUD, SS, FNT, RT, TLL, ABS-SS
2a	1003203-0022	1	SHROUD, SS, FNT, RT, TLL, ABS-BAM
2c	1003203-0024	1	SHROUD, SS, FNT, RT, TLL, ABS-BRZ
2e	1003203-0026	1	SHROUD, SS, FNT, RT, TLL, ABS-RSW
3d	1003205-0025	1	SHROUD, SS, REAR, TLL, ABS-STM
3c	1003205-0024	1	SHROUD, SS, REAR, TLL, ABS-BRZ
3a	1003205-0022	1	SHROUD, SS, REAR, TLL, ABS-BAM
3e	1003205-0026	1	SHROUD, SS, REAR, TLL, ABS-RSW
3g	9511929	1	SHROUD, SS, REAR, TLL-PBCF
3f	1003205-0027	1	SHROUD, SS, REAR, TLL, ABS-SS

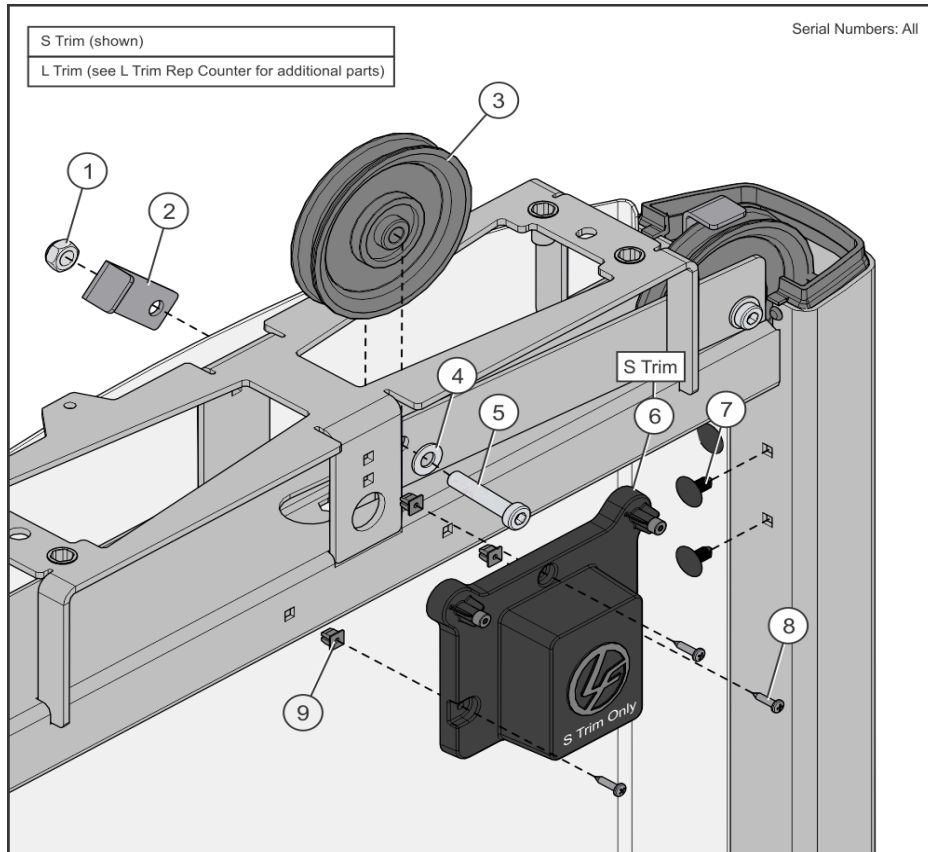
Ref #	Part Number	Qty	Description
3g	9511928	1	SHROUD, SS, REAR, TLL-PSS
3b	1003205-0023	1	SHROUD, SS, REAR, TLL, ABS-SKY
4	AK58-00245-2401	1	MEDALLION-ASSY: BUG, LIFE FITNESS, CHARCOAL GRAY

Tower Top



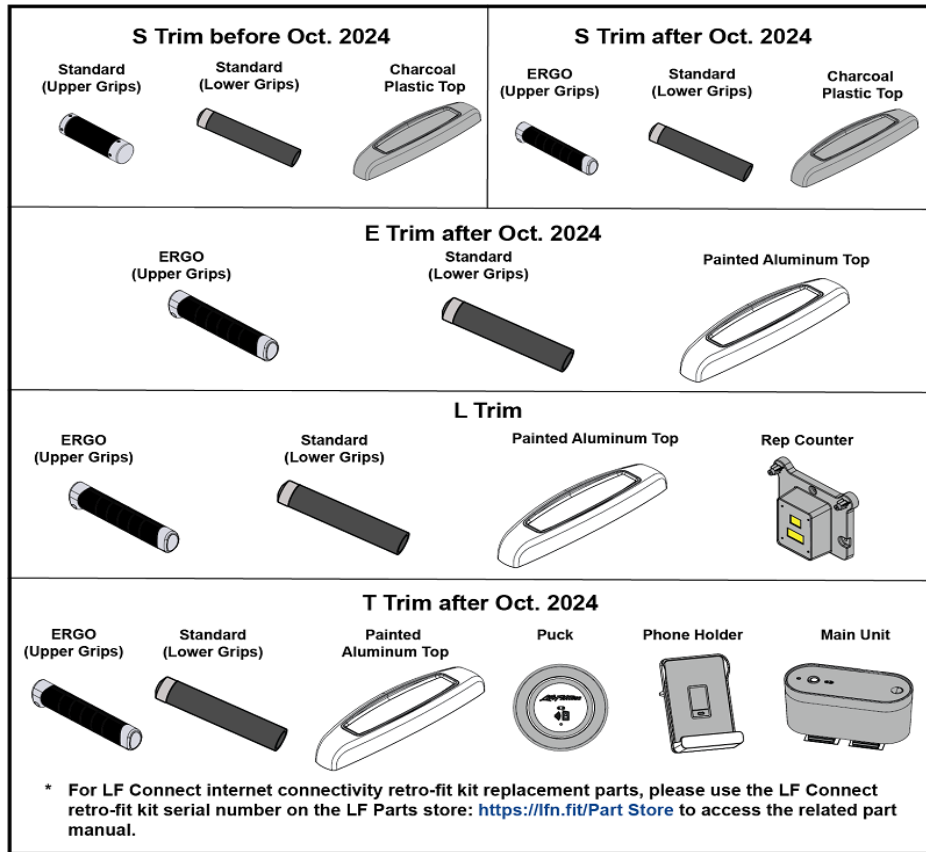
Ref #	Part Number	Qty	Description
1	9411201	1	TRAY, TOWER TOP CAP
2	3236202	4	M10 X 1.5 X 25 SHCS, LOW HEAD
3	9436701	1	CAP, TOWER, TOP, PLASTIC
4	3238601	4	M10X1.5 BLIND THREADED INSERT (HEX)
5	3236801	1	NUT, NYLOCK M10 X 1.5 SS
6	6757701	1	CLIP, CABLE 2-7/8 X 1 X 1
7	3236601	2	WASHER, 3/8 SAE STAINLESS STEEL
8	9319901	1	PULLEY, 3/16 IN CABLE (T2), 4.5 IN OD
9	3236208	1	M10 X 1.5 X 55 SHCS, LOW HEAD
10b	1017635-0004	1	LABEL: SS-ADC PLACARD, TRACK, RH - SPN
10e	1017635-0010	1	LABEL: SS-ADC PLACARD, TRACK, RH - RUS
10c	1017635-0007	1	LABEL: SS-ADC PLACARD, TRACK, RH - JAP
10f	1017635-0012	1	LABEL: SS-ADC PLACARD, TRACK, RH - CHI
10a	9476001	1	LABEL, SS-ADC PLACARD, RH
10d	1017635-0008	1	LABEL: SS-ADC PLACARD, TRACK, RH - POR
11e	9464410	1	Label, SS-ADC, LH Russian
11b	9464404	1	Label, SS-ADC, LH Spanish
11f	9464412	1	Label, SS-ADC, LH Chinese
11a	9464401	1	Label, SS-ADC, LH English
11d	9464408	1	Label, SS-ADC, LH Portuguese
11c	9464407	1	Label, SS-ADC, LH Japanese
12	9412699	1	CAP, SS, CAST Custom

Tower Top Trim



Ref #	Part Number	Qty	Description
1	3236801	1	NUT, NYLOCK M10 X 1.5 SS
2	6757701	1	CLIP, CABLE 2-7/8 X 1 X 1
3	9319901	1	PULLEY, 3/16 IN CABLE (T2), 4.5 IN OD
4	3236601	1	WASHER, 3/8 SAE STAINLESS STEEL
5	3236207	1	M10 X 1.5 X 50 SHCS, LOW HEAD
6	1006334-0001	1	ASSY, DUMMY HOUSING
7	1006620-0001	2	RETAINER: PANEL, 9/32 X 1/2 NYL
8	3275801	3	SCREW, 8 X 3/4 DIN PHL PAN AB ST ZB
9	0017-00042-1147	3	GROMMET: SCREW, 8 OR 10

Trims



Ref #	Part Number	Qty	Description
-	LEGEND_DESCRIPTION	1	LEGEND DESCRIPTION

