

# SIGNATURE MODULAR ACCESSORY STORAGE- ADD SECTION

SMSS-ADD

## Parts Manual

2/6/2024 1:47:14 AM

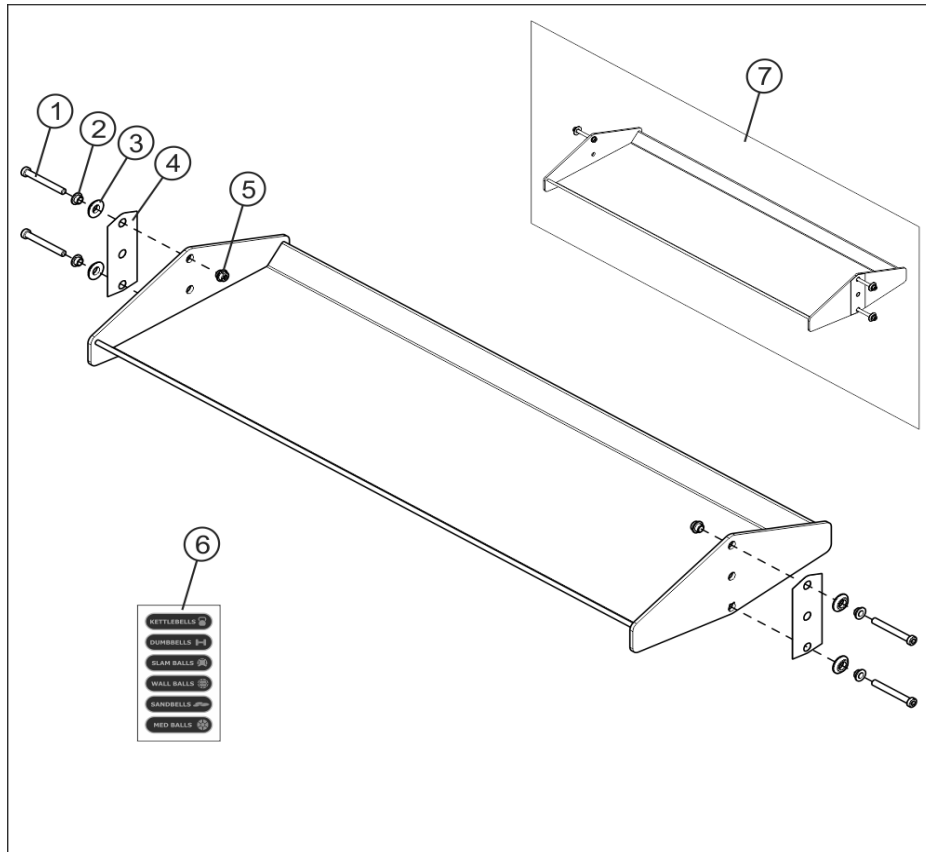


**Table of Contents**

---

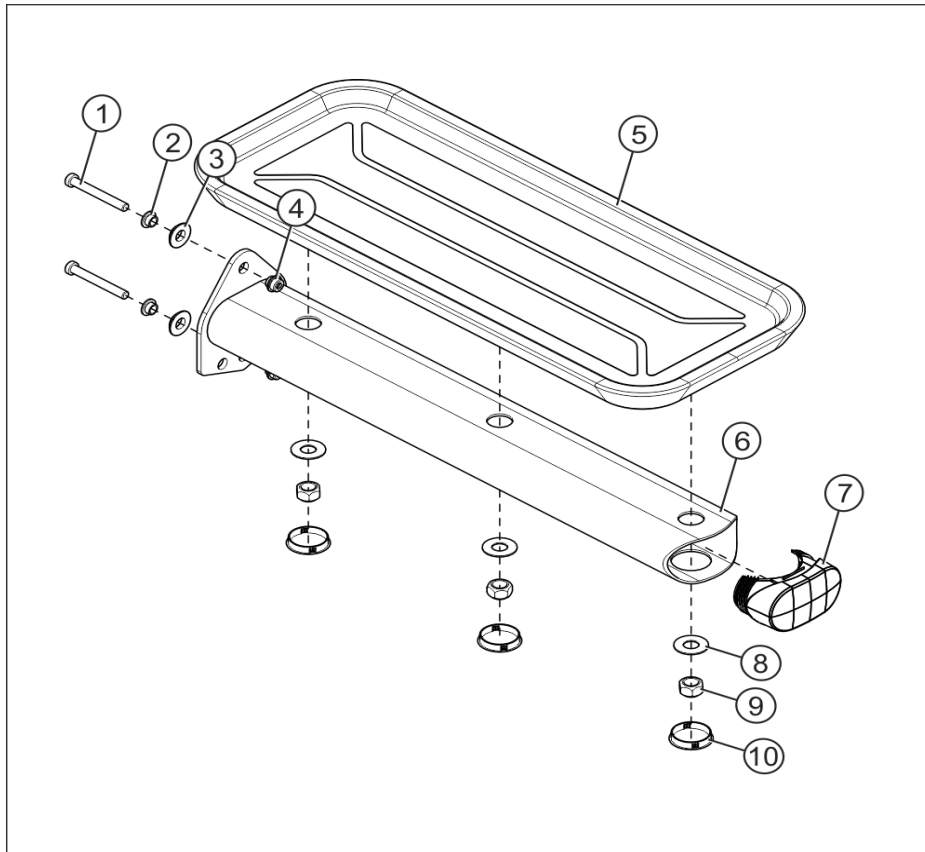
<a href="#">SMSS Accessory Shelf.....</a>	<a href="#">3</a>
<a href="#">SMSS Accessory Storage.....</a>	<a href="#">4</a>
<a href="#">SMSS Double Bosu Plus Shelf.....</a>	<a href="#">5</a>
<a href="#">SMSS Dual Rail Shelf.....</a>	<a href="#">6</a>
<a href="#">SMSS Dual Rail Storage.....</a>	<a href="#">7</a>
<a href="#">SMSS Dual Rail Storage Hardware Kit.....</a>	<a href="#">8</a>
<a href="#">SMSS Dumbbell Shelf.....</a>	<a href="#">9</a>
<a href="#">SMSS Foam Side Storage.....</a>	<a href="#">10</a>
<a href="#">SMSS Foam Side Storage Hardware Kit.....</a>	<a href="#">11</a>
<a href="#">SMSS Frame Components.....</a>	<a href="#">12</a>
<a href="#">SMSS Power Block.....</a>	<a href="#">13</a>
<a href="#">SMSS Side Bosu Left.....</a>	<a href="#">14</a>
<a href="#">SMSS Side Bosu Right.....</a>	<a href="#">15</a>
<a href="#">SMSS Side Foot.....</a>	<a href="#">16</a>
<a href="#">SMSS Side Stability Ball Storage.....</a>	<a href="#">17</a>
<a href="#">SMSS Stability Ball Storage.....</a>	<a href="#">18</a>
<a href="#">SMSS Stability Foot Hardware Kit.....</a>	<a href="#">19</a>
<a href="#">SMSS Vertical Storage.....</a>	<a href="#">20</a>
<a href="#">SMSS Vertical Storage Hardware Kit.....</a>	<a href="#">21</a>
<a href="#">SMSS ViPR Rollers Shelf with Mat.....</a>	<a href="#">22</a>
<a href="#">SMSS White Board Hardware Kit.....</a>	<a href="#">23</a>
<a href="#">SMSS 2 Bolt Hardware Kit.....</a>	<a href="#">24</a>
<a href="#">SMSS 4 Bolt Hardware Kit.....</a>	<a href="#">25</a>
<a href="#">SMSS Mat Storage.....</a>	<a href="#">26</a>
<a href="#">SMSS White Board.....</a>	<a href="#">27</a>

## SMSS Accessory Shelf



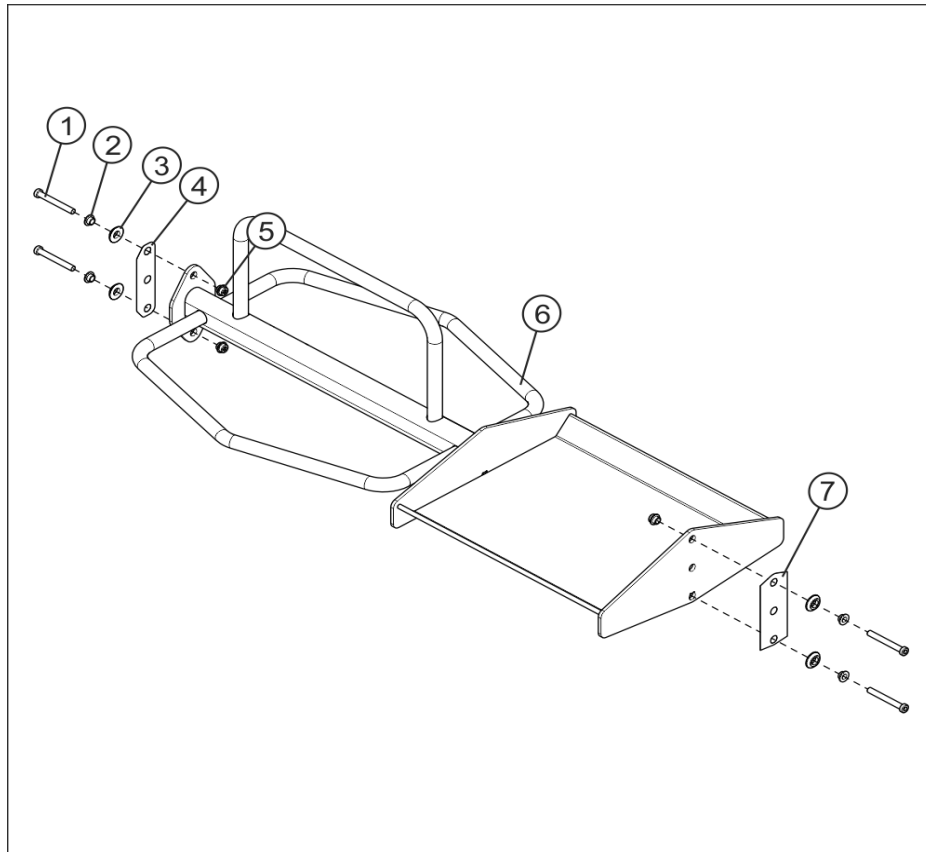
Ref #	Part Number	Qty	Description
1	3236213	4	M10 X 1.5 X 80 SHCS, LOW HEAD
2	7630101	4	RETAINER, CM/MJ, PULLEY
3	1012186-0001	4	SPACER: 1-1/4 OD X 1/4
4	1012205-0001	2	GUARD: PAINT, ACCESSORY SHELF
5	7335401	4	NUT, M10 X 1.5 SOCKET HEAD
6	1012710-0001	1	LABELS: ACCESSORIES, S180
7	1012223-0001	1	ASSEMBLY: ACCESSORY SHELF, S180

## SMSS Accessory Storage



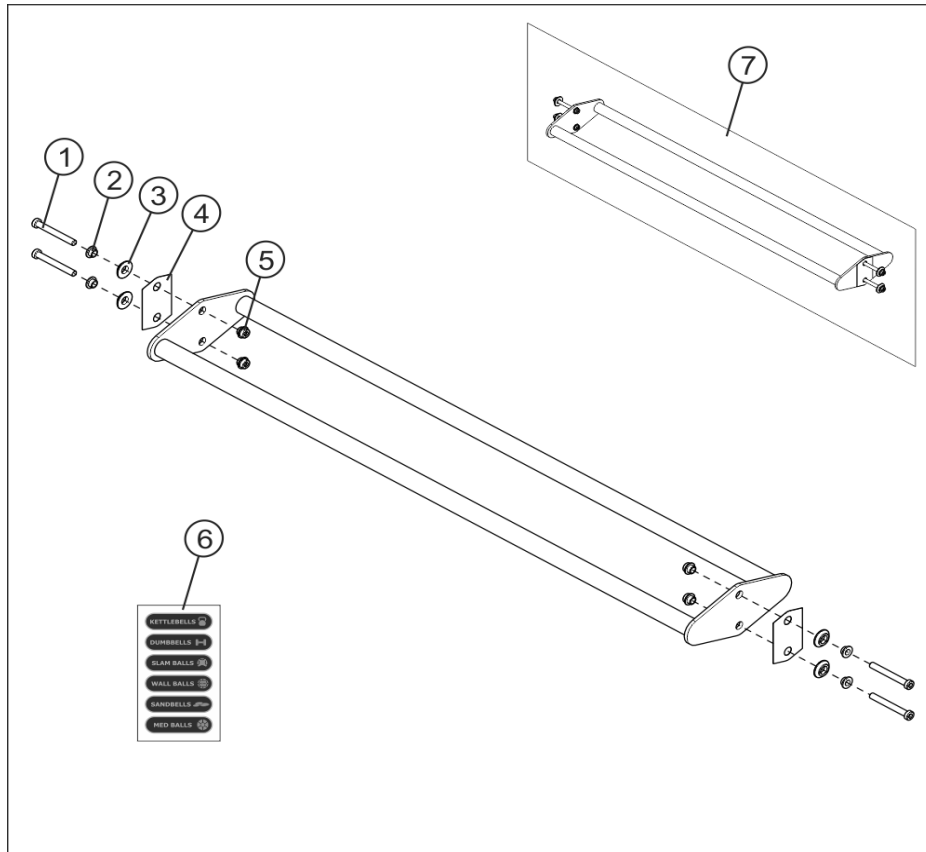
Ref #	Part Number	Qty	Description
1	3236213	2	M10 X 1.5 X 80 SHCS, LOW HEAD
2	7630101	2	RETAINER, CM/MJ, PULLEY
3	1012186-0001	2	SPACER: 1-1/4 OD X 1/4
4	7335401	2	NUT, M10 X 1.5 SOCKET HEAD
5	1008902-0001	1	TRAY: 11.5 X 28.5, OVERMOLD, SHORT STUDS
6	1011632-0028	1	WELDMENT: RUBBER SHELF, CHR
7	7333902	1	CAP, LARGE FLOV-END; CHGR
8	3236603	3	WASHER, 11/16 ID X 1.5 OD SS
9	3236804	3	NUT, M16 HEX NYLOCK SS
10	3237408	3	PLUG: 1.75" HOLE

## SMSS Double Bosu Plus Shelf



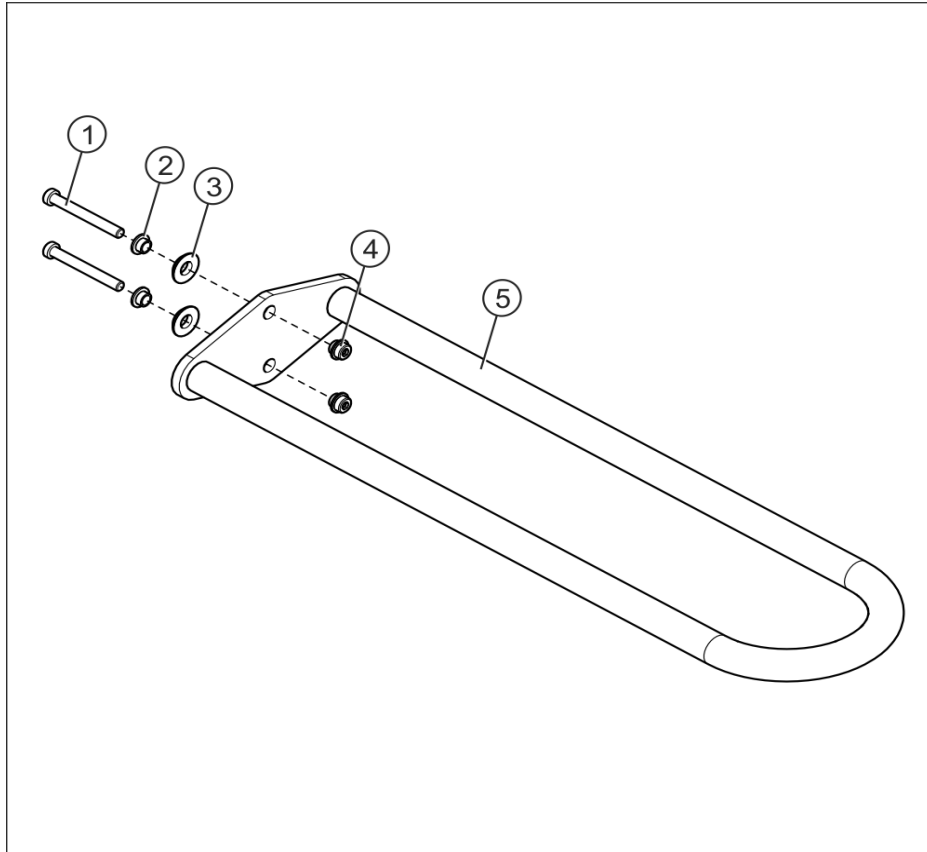
Ref #	Part Number	Qty	Description
1	3236213	4	M10 X 1.5 X 80 SHCS, LOW HEAD
2	7630101	4	RETAINER, CM/MJ, PULLEY
3	1012186-0001	4	SPACER: 1-1/4 OD X 1/4
4	1012291-0001	1	GUARD: PAINT, SYN-180
5	7335401	4	NUT, M10 X 1.5 SOCKET HEAD
6	1015103-0028	1	WELDMENT: DOUBLE BOSU PLUS - CHR
7	1012205-0001	1	GUARD: PAINT, ACCESSORY SHELF

## SMSS Dual Rail Shelf



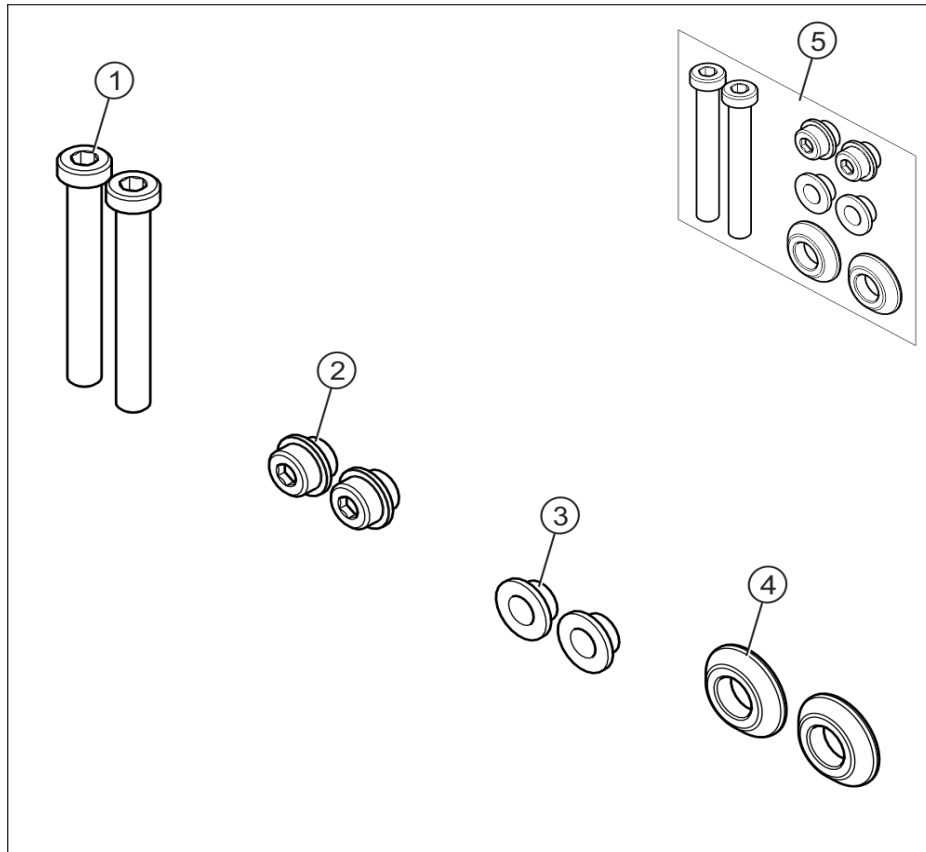
Ref #	Part Number	Qty	Description
1	3236213	4	M10 X 1.5 X 80 SHCS, LOW HEAD
2	7630101	4	RETAINER, CM/MJ, PULLEY
3	1012186-0001	4	SPACER: 1-1/4 OD X 1/4
4	1012208-0001	2	GUARD: PAINT, DUAL RAIL
5	7335401	4	NUT, M10 X 1.5 SOCKET HEAD
6	1012710-0001	1	LABELS: ACCESSORIES, S180
7	1012227-0001	1	ASSEMBLY: DUAL RAIL, S180

## SMSS Dual Rail Storage



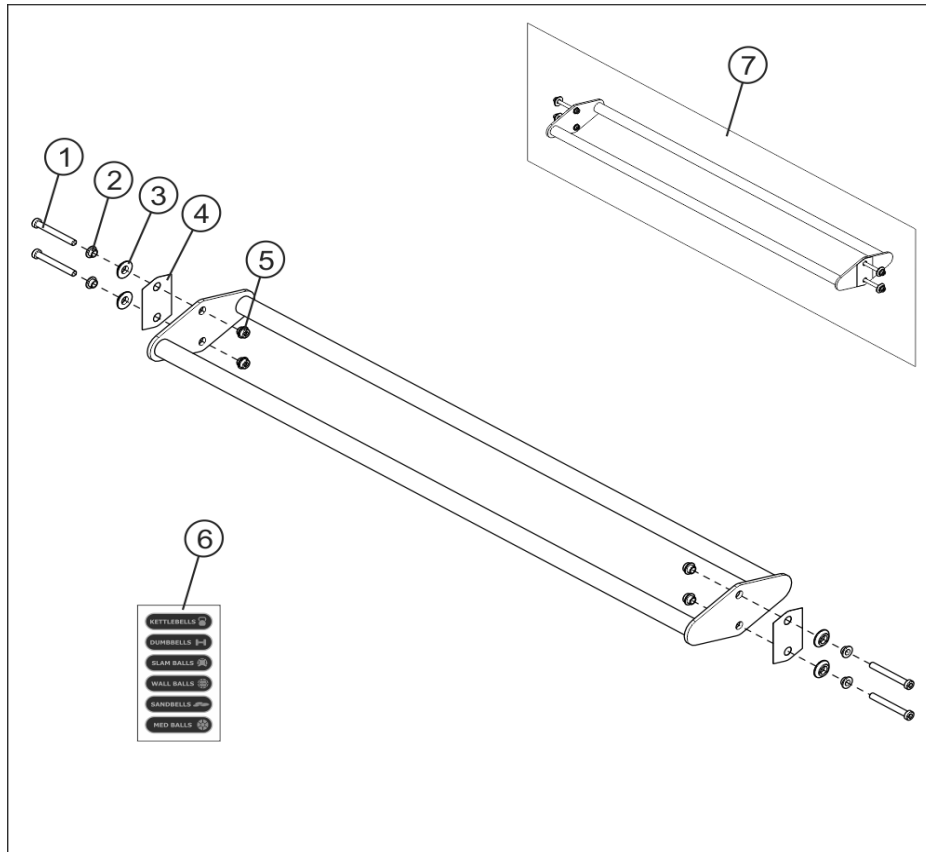
Ref #	Part Number	Qty	Description
1	3236214	2	M10 X 1.5 X 85 SHCS, LOW HEAD
2	7630101	2	RETAINER, CM/MJ, PULLEY
3	1012186-0001	2	SPACER: 1-1/4 OD X 1/4
4	7335401	2	NUT, M10 X 1.5 SOCKET HEAD
5	1011083-0028	1	WELDMENT: DUAL RAIL, SIDE, CHR

## SMSS Dual Rail Storage Hardware Kit



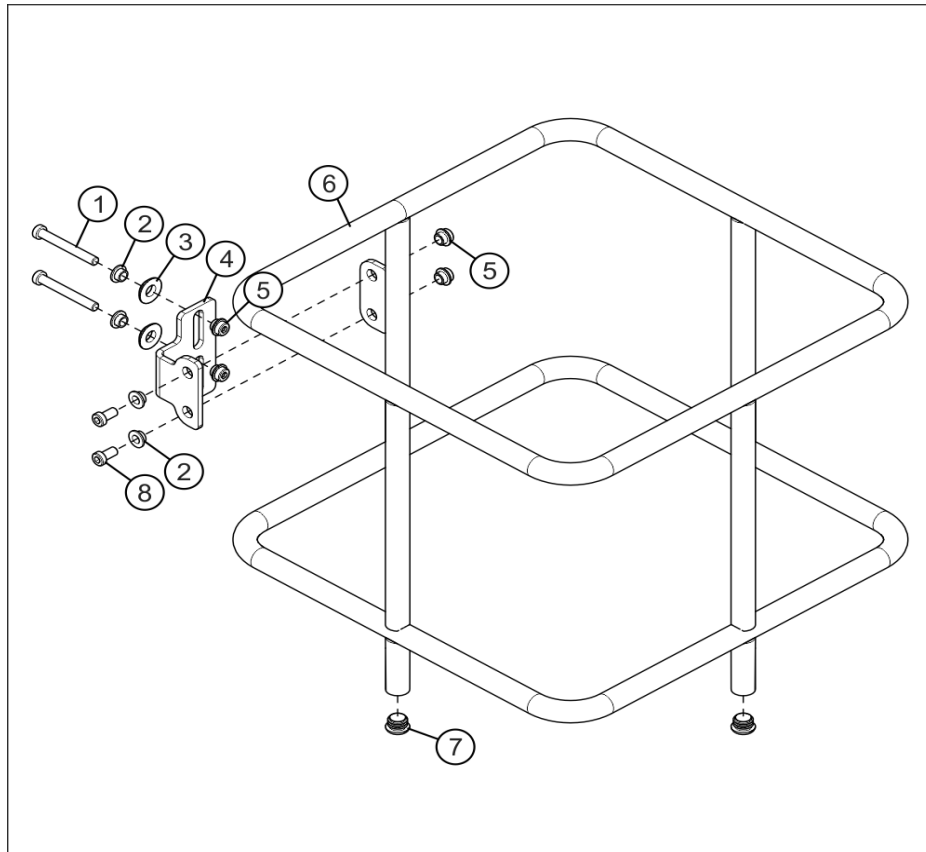
Ref #	Part Number	Qty	Description
1	3236214	2	M10 X 1.5 X 85 SHCS, LOW HEAD
2	7335401	2	NUT, M10 X 1.5 SOCKET HEAD
3	7630101	2	RETAINER, CM/MJ, PULLEY
4	1012186-0001	2	SPACER: 1-1/4 OD X 1/4
5	1012527-0001	1	KIT: HARDWARE, DUAL RAIL SIDE

## SMSS Dumbbell Shelf



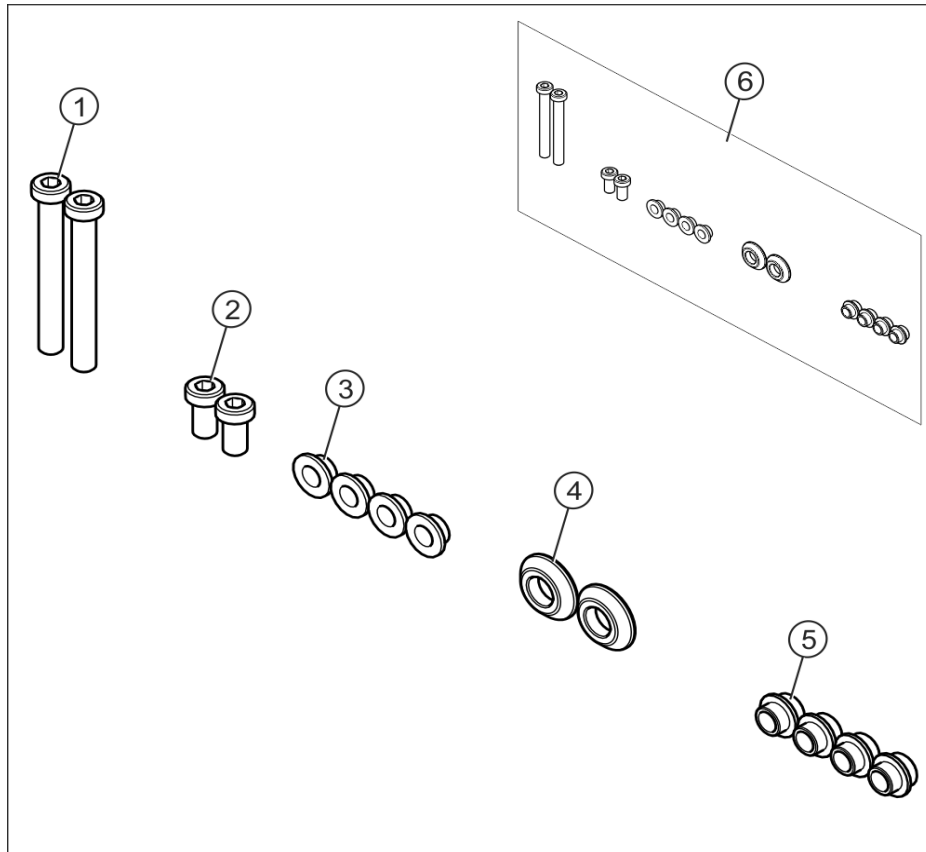
Ref #	Part Number	Qty	Description
1	3236213	4	M10 X 1.5 X 80 SHCS, LOW HEAD
2	7630101	4	RETAINER, CM/MJ, PULLEY
3	1012186-0001	4	SPACER: 1-1/4 OD X 1/4
4	1012206-0001	2	GUARD: PAINT, SHELF
5	7335401	4	NUT, M10 X 1.5 SOCKET HEAD
6	1012710-0001	1	LABELS: ACCESSORIES, S180
7	1012222-0001	1	ASSEMBLY: DUMBBELL SHELF, S180

## SMSS Foam Side Storage



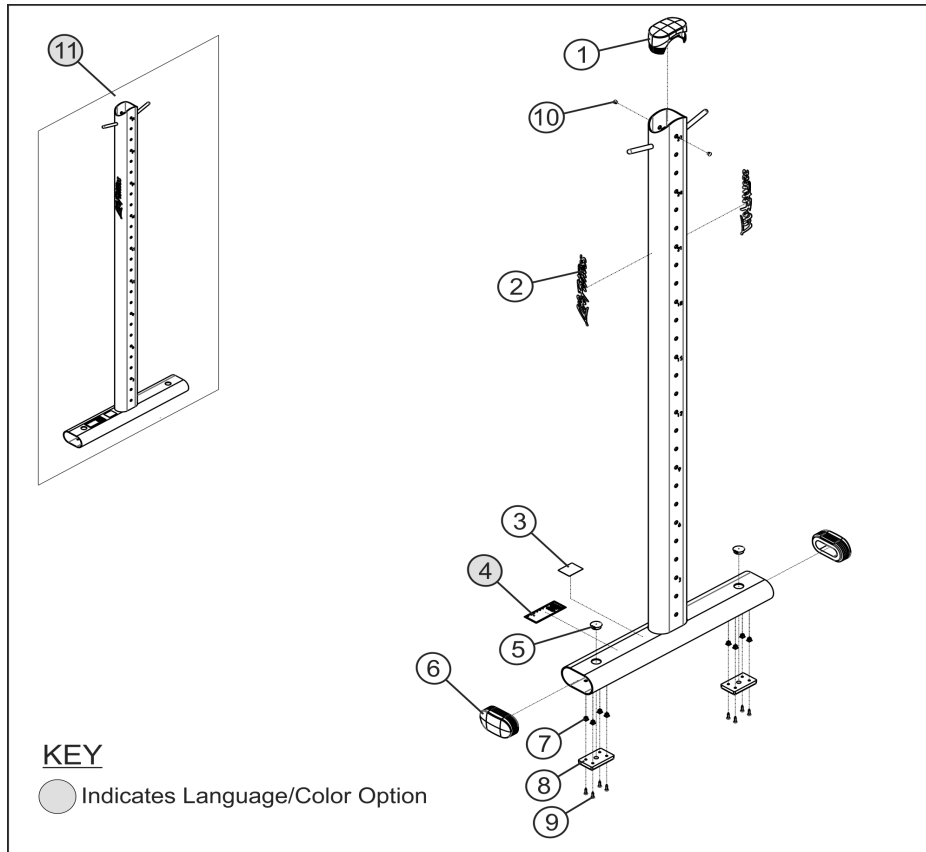
Ref #	Part Number	Qty	Description
1	3236213	2	M10 X 1.5 X 80 SHCS, LOW HEAD
2	7630101	4	RETAINER, CM/MJ, PULLEY
3	1012186-0001	2	SPACER: 1-1/4 OD X 1/4
4	1011892-0028	1	BRACKET: 0.25, FOAM ROLLER, CHR
5	7335401	4	NUT, M10 X 1.5 SOCKET HEAD
6	1011898-0028	1	WELDMENT: SIDE STORAGE, FOAM, CHR
7	3119304	2	CAP, END 1 DIA RD 10-12GA
8	3236201	2	M10 X 1.5 X 20 SHCS, LOW HEAD

## SMSS Foam Side Storage Hardware Kit



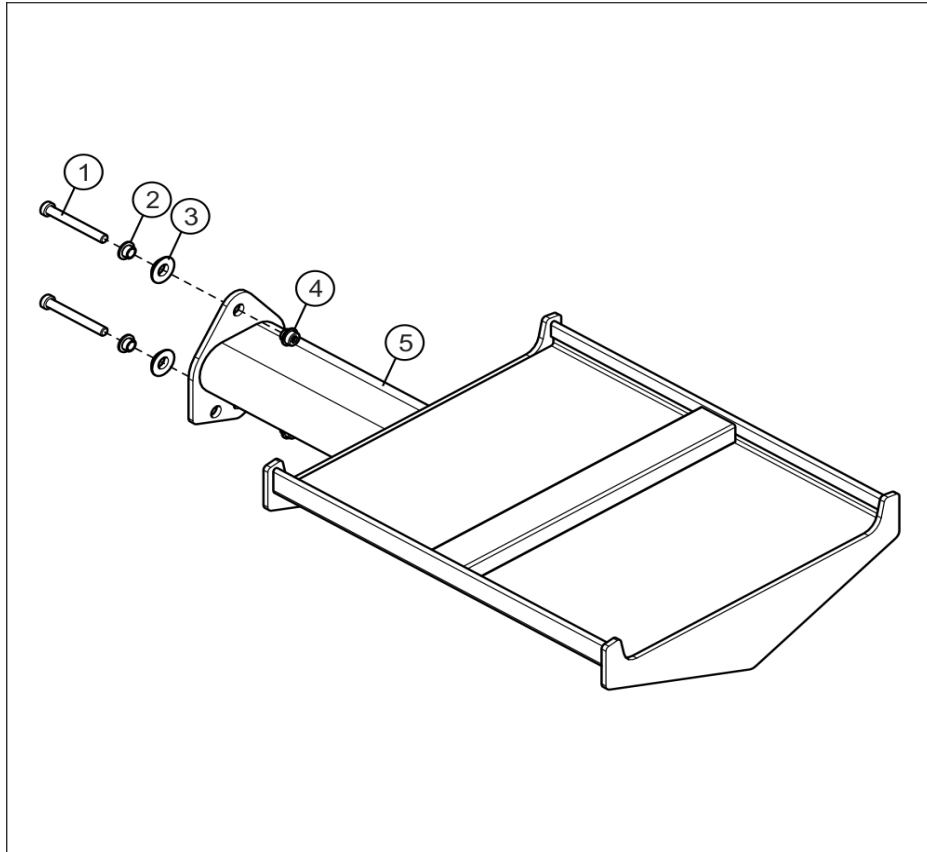
Ref #	Part Number	Qty	Description
1	3236213	2	M10 X 1.5 X 80 SHCS, LOW HEAD
2	3236201	2	M10 X 1.5 X 20 SHCS, LOW HEAD
3	7630101	4	RETAINER, CM/MJ, PULLEY
4	1012186-0001	2	SPACER: 1-1/4 OD X 1/4
5	7335401	4	NUT, M10 X 1.5 SOCKET HEAD
6	1012622-0001	1	KIT: HARDWARE, SIDE FOAM STORAGE

## SMSS Frame Components



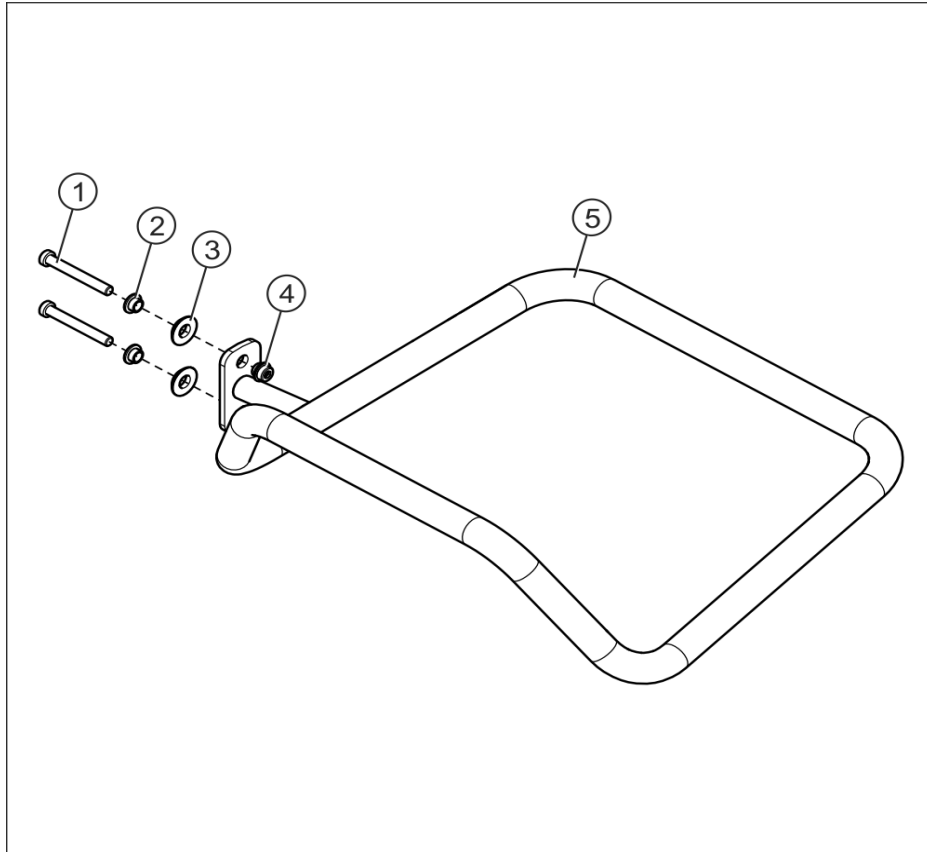
Ref #	Part Number	Qty	Description
1	7333902	1	CAP, LARGE FLOV-END; CHGR
2	7865201	2	LABEL, LIFE FITNESS LOGO, 10-0099-062, BNR
3	7571301	1	LABEL, SERIAL NUMBER
4	8219900	1	LABEL, ASTM WARNING FW VERT Custom
5	3237407	2	PLUG, 1 IN HOLE
6	1002166-0700	2	ENDCAP: LARGE FLOV, BLACK
7	0017-00042-1147	8	GROMMET: SCREW, 8 OR 10
8	7810801	2	PAD, RUBBER FOOT, 10-0101-006, BNR
9	3275801	8	SCREW, 8 X 3/4 DIN PHL PAN AB ST ZB
10	3237405	54	PLUG, 7/16 IN HOLE
11	1016679-0099	1	ASSY: SMSS, UPRIGHT, SERVICE

## SMSS Power Block



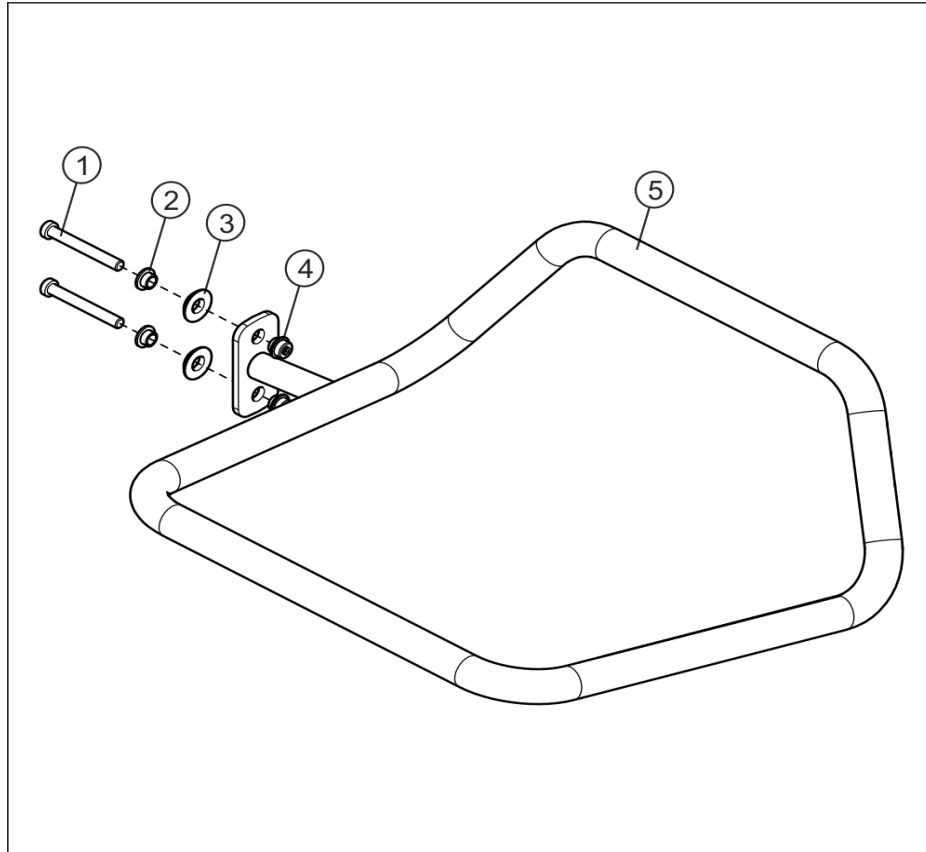
Ref #	Part Number	Qty	Description
1	3236213	2	M10 X 1.5 X 80 SHCS, LOW HEAD
2	7630101	2	RETAINER, CM/MJ, PULLEY
3	1012186-0001	2	SPACER: 1-1/4 OD X 1/4
4	7335401	2	NUT, M10 X 1.5 SOCKET HEAD
5	1011962-0028	1	WELDMENT: SHELF, POWER BLOCK, CHR

**SMSS Side Bosu Left**



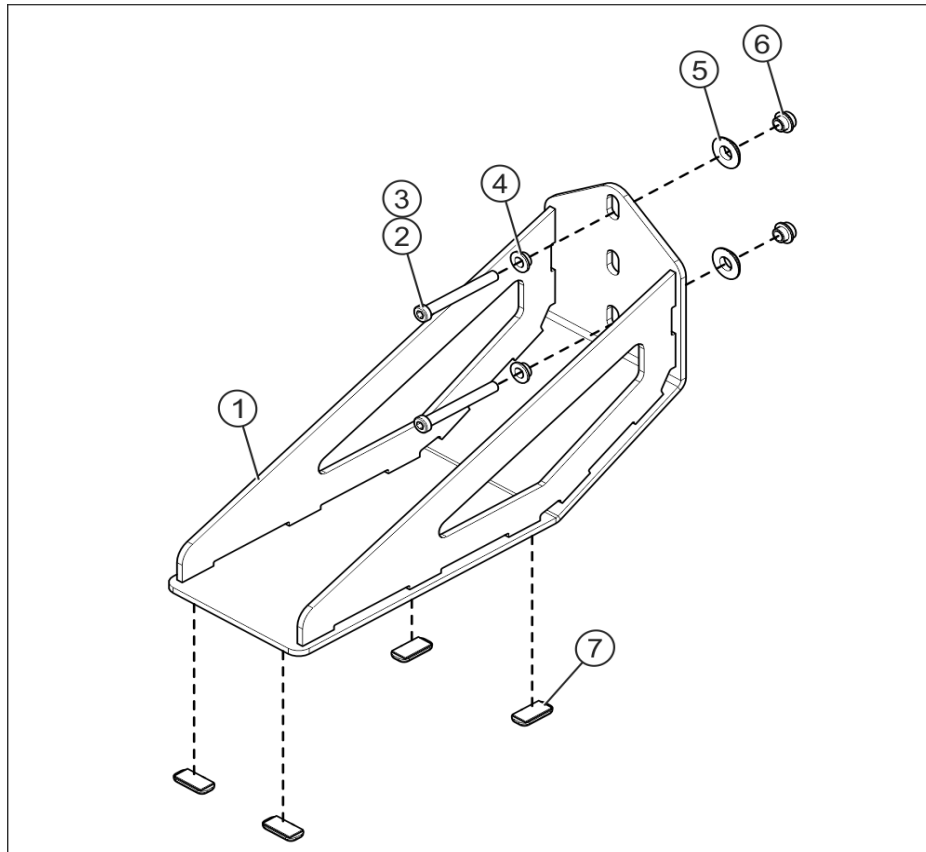
Ref #	Part Number	Qty	Description
1	3236213	2	M10 X 1.5 X 80 SHCS, LOW HEAD
2	7630101	2	RETAINER, CM/MJ, PULLEY
3	1012186-0001	2	SPACER: 1-1/4 OD X 1/4
4	7335401	2	NUT, M10 X 1.5 SOCKET HEAD
5	1011889-0028	1	WELDMENT: BOSU SHELF, SIDE, L - CHR

## SMSS Side Bosu Right



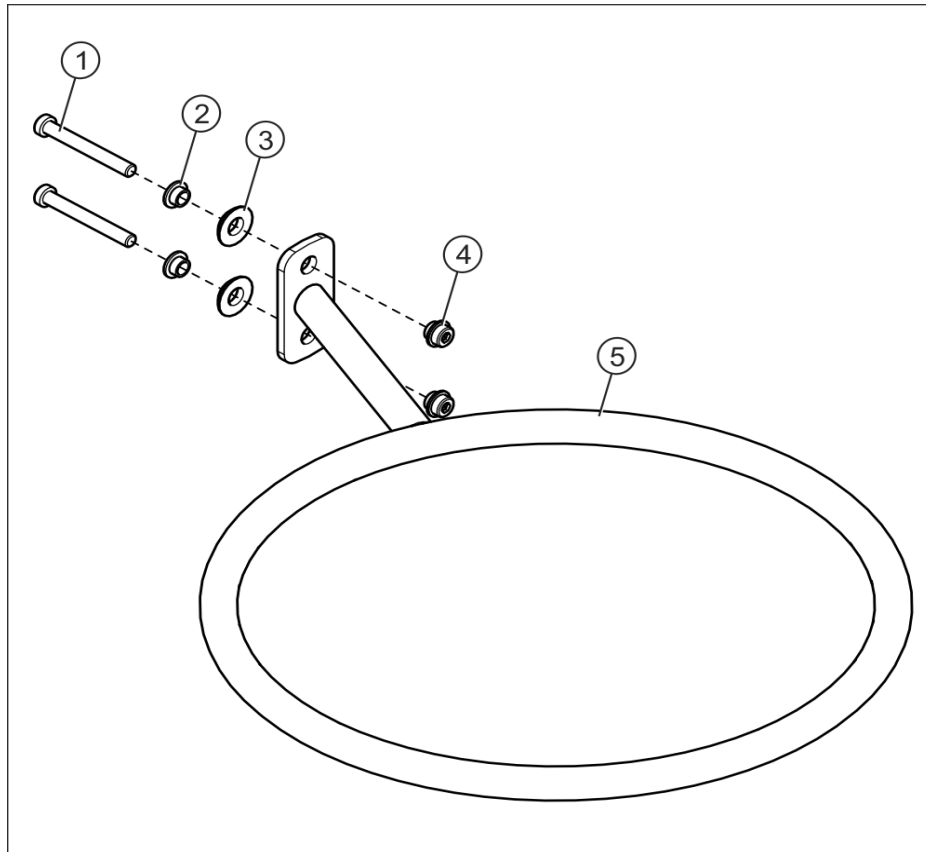
Ref #	Part Number	Qty	Description
1	3236213	2	M10 X 1.5 X 80 SHCS, LOW HEAD
2	7630101	2	RETAINER, CM/MJ, PULLEY
3	1012186-0001	2	SPACER: 1-1/4 OD X 1/4
4	7335401	2	NUT, M10 X 1.5 SOCKET HEAD
5	1012144-0028	1	WELDMENT: BOSU SHELF, SIDE, R - CHR

**SMSS Side Foot**



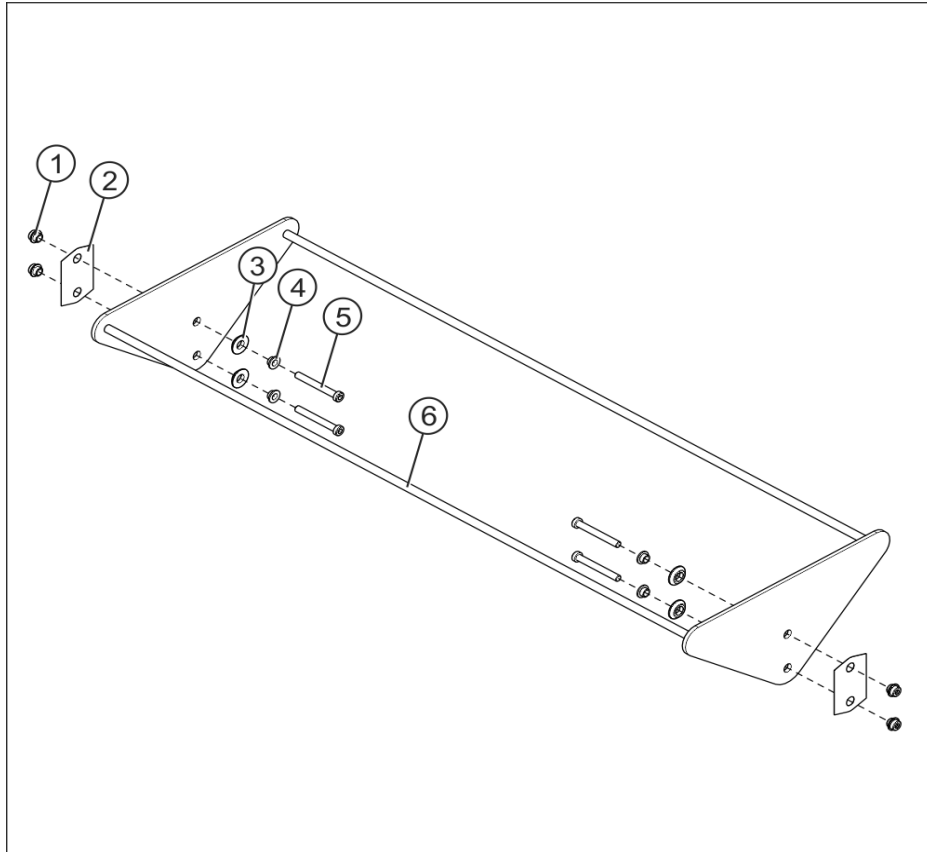
Ref #	Part Number	Qty	Description
1	1015524-0028	1	WLDMT: STABILIZER FOOT-CHR
2	3236214	2	M10 X 1.5 X 85 SHCS, LOW HEAD
3	3236213	2	M10 X 1.5 X 80 SHCS, LOW HEAD
4	7630101	2	RETAINER, CM/MJ, PULLEY
5	1012186-0001	2	SPACER: 1-1/4 OD X 1/4
6	7335401	2	NUT, M10 X 1.5 SOCKET HEAD
7	7570801	4	GUARD, PAINT 1.25 X .75 X .25

## SMSS Side Stability Ball Storage



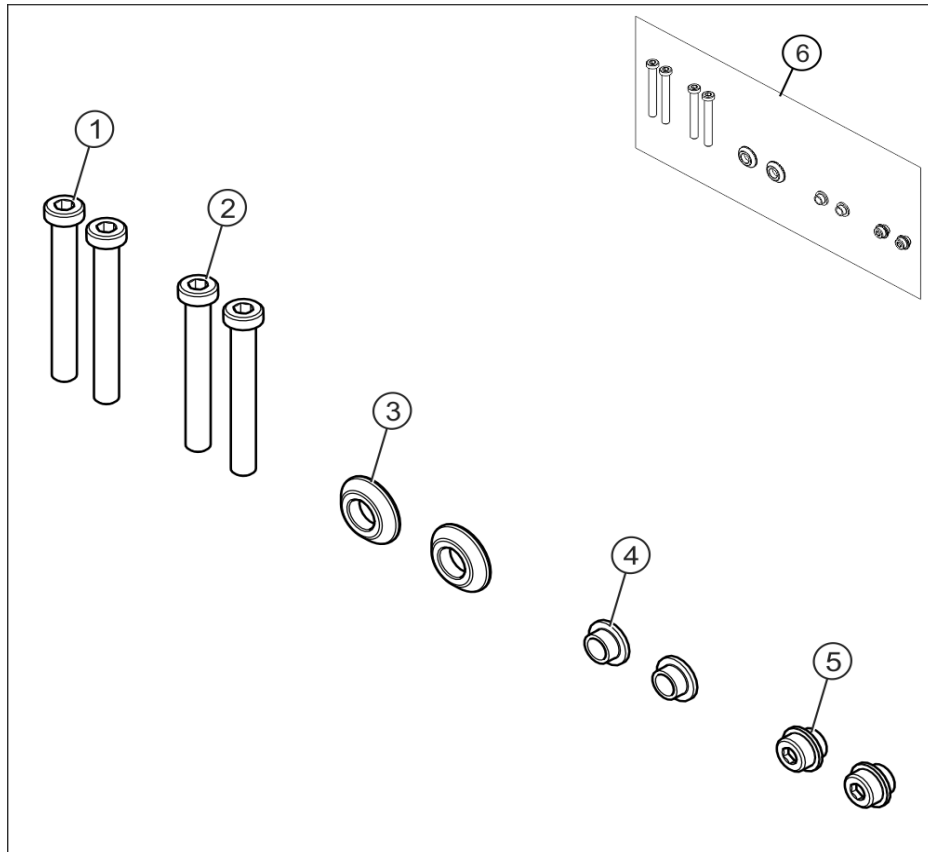
Ref #	Part Number	Qty	Description
1	3236213	2	M10 X 1.5 X 80 SHCS, LOW HEAD
2	7630101	2	RETAINER, CM/MJ, PULLEY
3	1012186-0001	2	SPACER: 1-1/4 OD X 1/4
4	7335401	2	NUT, M10 X 1.5 SOCKET HEAD
5	1011633-0028	1	WELDMNT: STABILITY BALL, SIDE STORAGE, CHR

## SMSS Stability Ball Storage



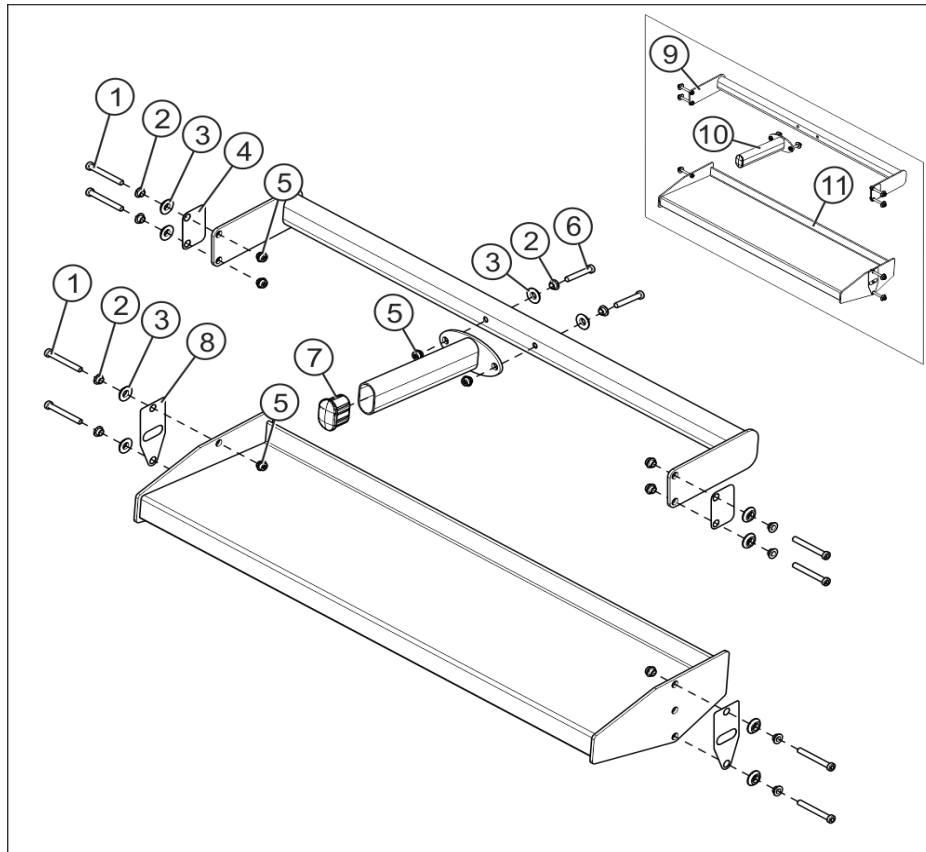
Ref #	Part Number	Qty	Description
1	7335401	4	NUT, M10 X 1.5 SOCKET HEAD
2	1012208-0001	2	GUARD: PAINT, DUAL RAIL
3	1012186-0001	4	SPACER: 1-1/4 OD X 1/4
4	7630101	4	RETAINER, CM/MJ, PULLEY
5	3236213	4	M10 X 1.5 X 80 SHCS, LOW HEAD
6	1013180-0028	1	WELDMENT: STABILITY BALL STORAGE - CHR

## SMSS Stability Foot Hardware Kit



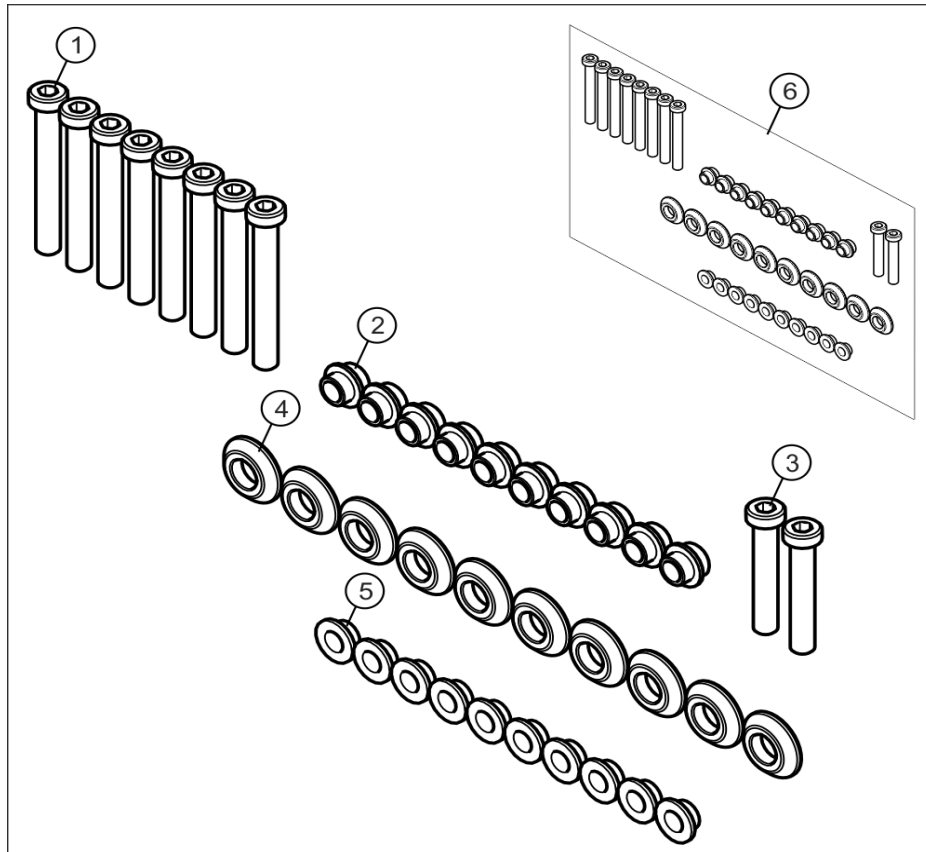
Ref #	Part Number	Qty	Description
1	3236214	2	M10 X 1.5 X 85 SHCS, LOW HEAD
2	3236213	2	M10 X 1.5 X 80 SHCS, LOW HEAD
3	7630101	2	RETAINER, CM/MJ, PULLEY
4	1012186-0001	2	SPACER: 1-1/4 OD X 1/4
5	7335401	2	NUT, M10 X 1.5 SOCKET HEAD
6	1015922-0001	1	KIT: HARDWARE, SMSS STABILITY FOOT

## SMSS Vertical Storage



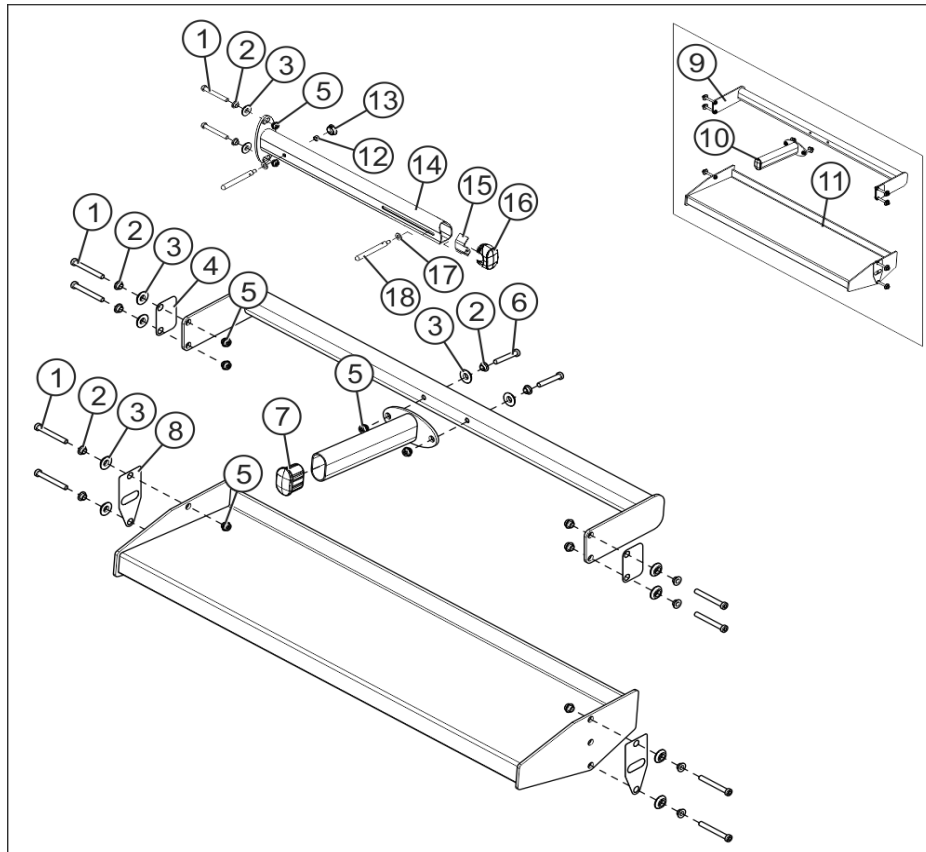
Ref #	Part Number	Qty	Description
1	3236213	8	M10 X 1.5 X 80 SHCS, LOW HEAD
2	7630101	10	RETAINER, CM/MJ, PULLEY
3	1012186-0001	10	SPACER: 1-1/4 OD X 1/4
4	1012207-0001	2	GUARD: PAINT, SUPPORT, VERTICAL STORAGE
5	7335401	10	NUT, M10 X 1.5 SOCKET HEAD
6	3236209	2	M10 X 1.5 X 60 SHCS, LOW HEAD
7	7800501	1	CAP, SML FLOV END
8	1012206-0001	2	GUARD: PAINT, SHELF
9	1012258-0001	1	ASSEMBLY: SUPPORT, VERTICAL STORAGE, S180
10	1012147-0001	1	ASSEMBLY: DIVIDER, S180
11	1012257-0001	1	ASSEMBLY: SHELF, VERTICAL STORAGE, S180

## SMSS Vertical Storage Hardware Kit



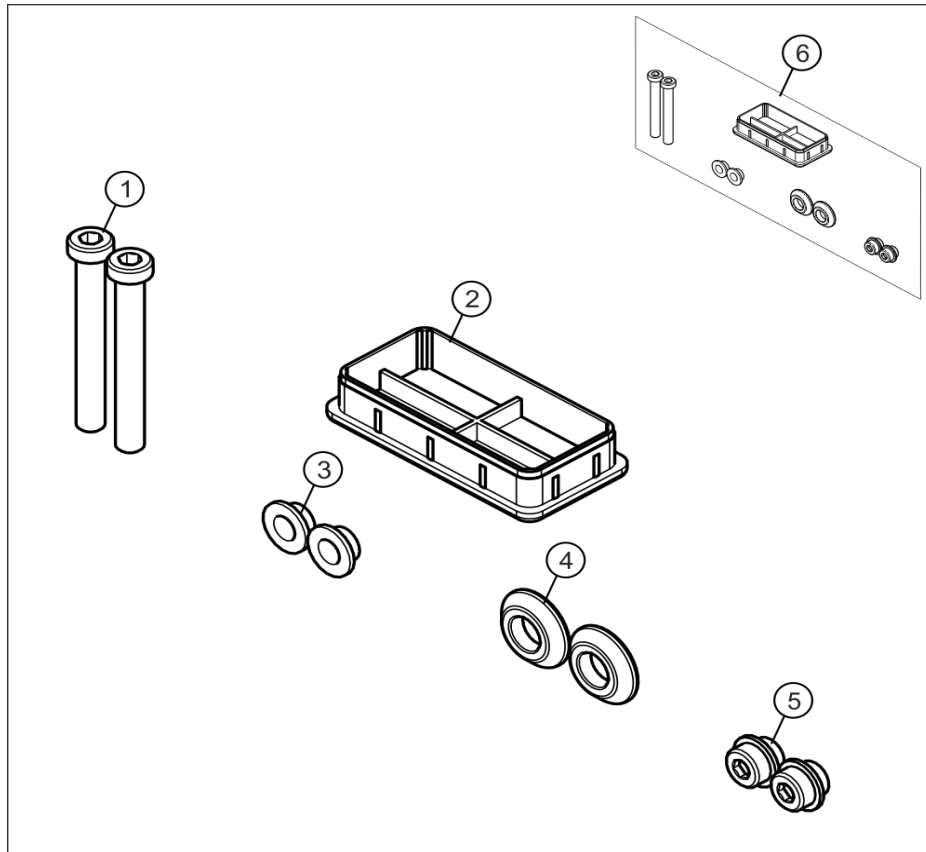
Ref #	Part Number	Qty	Description
1,3	3236213	10	M10 X 1.5 X 80 SHCS, LOW HEAD
2	7335401	10	NUT, M10 X 1.5 SOCKET HEAD
4	1012186-0001	10	SPACER: 1-1/4 OD X 1/4
5	7630101	10	RETAINER, CM/MJ, PULLEY
6	1015228-0001	1	KIT: HARDWARE, VERTICAL STORAGE, S180

## SMSS ViPR Rollers Shelf with Mat



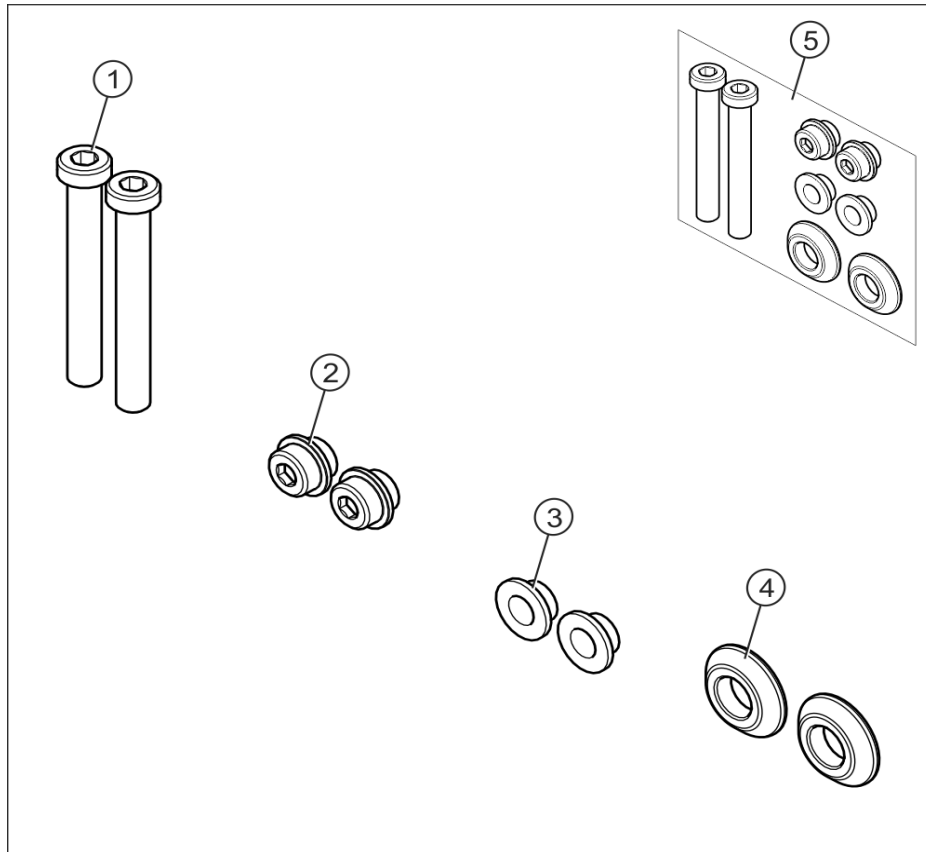
Ref #	Part Number	Qty	Description
1	3236213	10	M10 X 1.5 X 80 SHCS, LOW HEAD
2	7630101	12	RETAINER, CM/MJ, PULLEY
3	1012186-0001	12	SPACER: 1-1/4 OD X 1/4
4	1012207-0001	2	GUARD: PAINT, SUPPORT, VERTICAL STORAGE
5	7335401	12	NUT, M10 X 1.5 SOCKET HEAD
6	3236209	2	M10 X 1.5 X 60 SHCS, LOW HEAD
7	7800501	1	CAP, SML FLOV END
8	1012206-0001	2	GUARD: PAINT, SHELF
9	1012258-0001	1	ASSEMBLY: SUPPORT, VERTICAL STORAGE, S180
10	1012147-0001	1	ASSEMBLY: DIVIDER, S180
11	1012257-0001	1	ASSEMBLY: SHELF, VERTICAL STORAGE, S180
12	3242004	1	NUT, M8 X 1.25 HEX NYLOCK
13	3237403	1	PLUG, 1 IN HOLE
14	1018891-0028	1	WELDMENT: MAT STORAGE, CHR
15	1008966-0001	1	BRKT: MAT STORAGE
16	7333802	1	CAP, SMALL FLOV-END
17	3273303	2	WASHER, 3/8, THRU-HARDENED
18	1008965-0001	2	PIN: MAT STORAGE

## SMSS White Board Hardware Kit



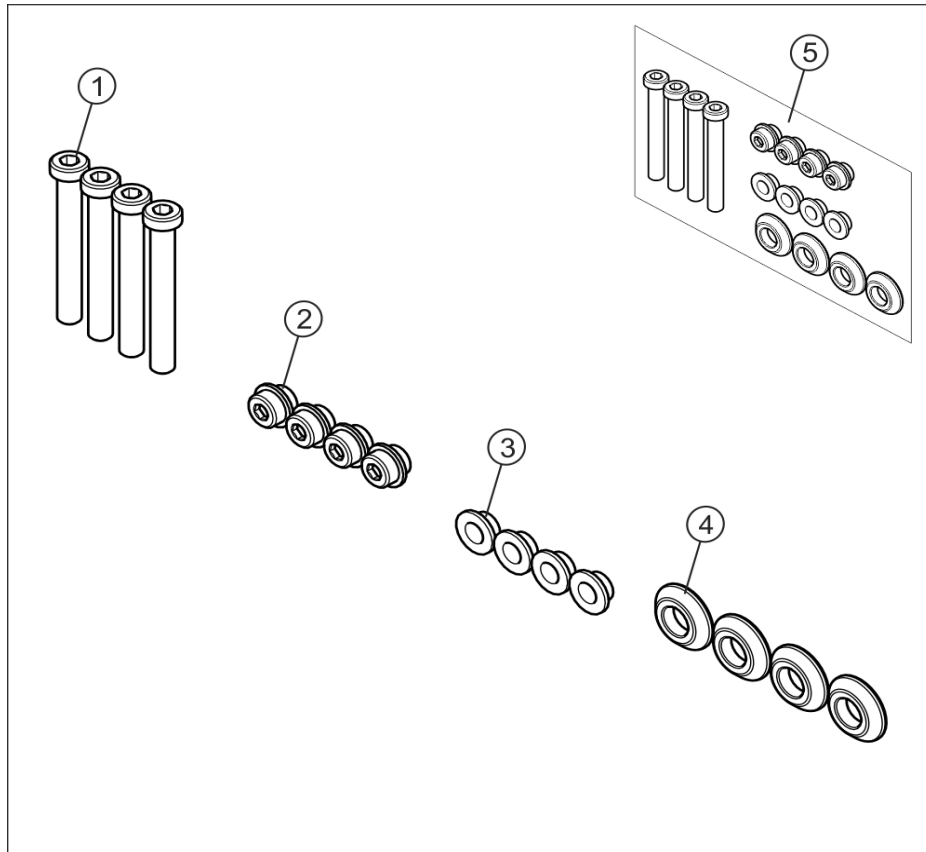
Ref #	Part Number	Qty	Description
1	3236213	2	M10 X 1.5 X 80 SHCS, LOW HEAD
2	9462701	1	CAP, HAMMER, END 2 X 4
3	7630101	2	RETAINER, CM/MJ, PULLEY
4	1012186-0001	2	SPACER: 1-1/4 OD X 1/4
5	7335401	2	NUT, M10 X 1.5 SOCKET HEAD
6	1012579-0001	1	KIT: HARDWARE, WHITE BOARD

## SMSS 2 Bolt Hardware Kit



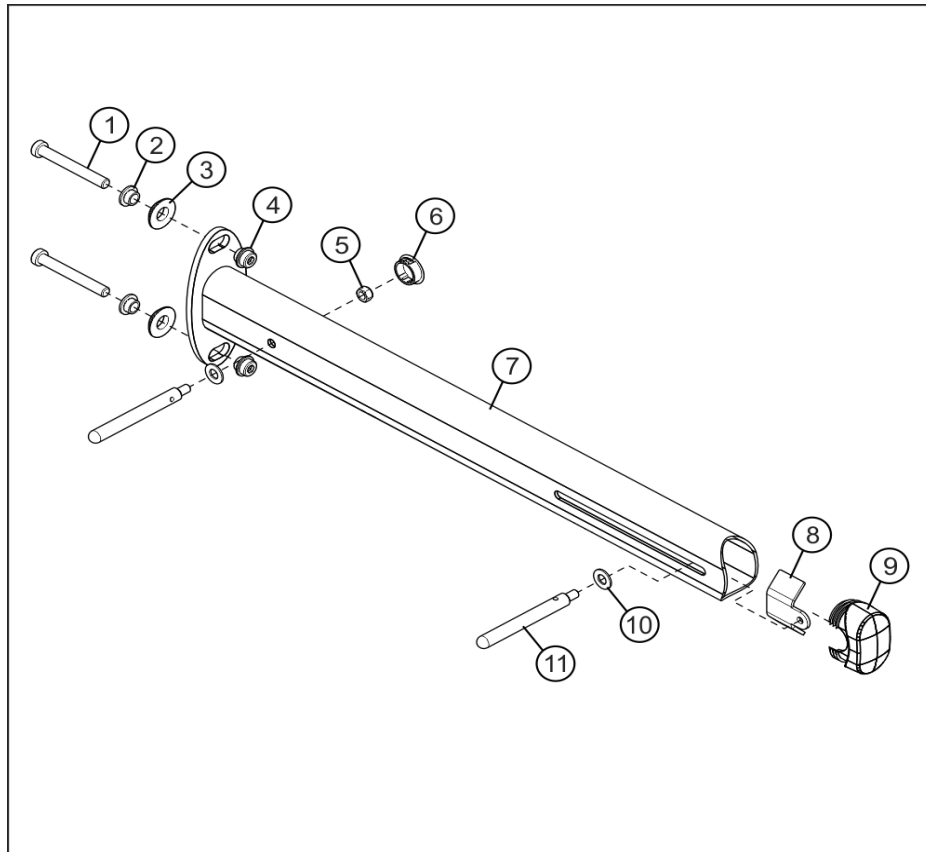
Ref #	Part Number	Qty	Description
2	7335401	2	NUT, M10 X 1.5 SOCKET HEAD
3	7630101	2	RETAINER, CM/MJ, PULLEY
4	1012186-0001	2	SPACER: 1-1/4 OD X 1/4
5	1012310-0001	1	KIT: HARDWARE, 2 BOLT, S180

## SMSS 4 Bolt Hardware Kit



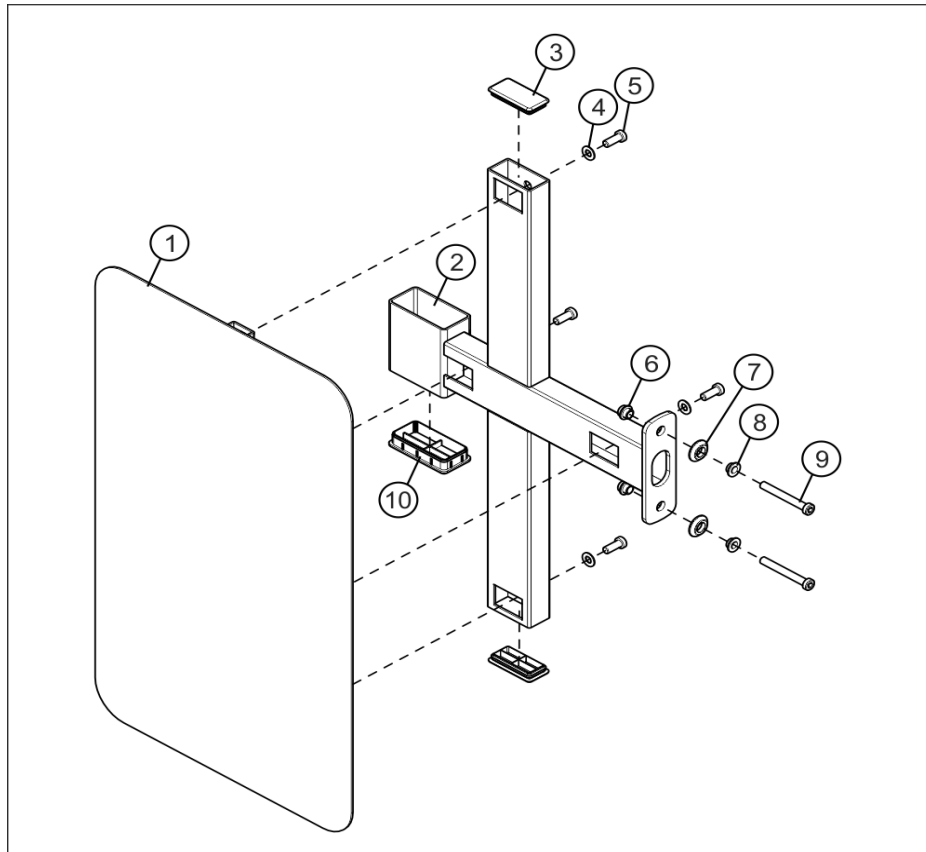
Ref #	Part Number	Qty	Description
1	3236213	4	M10 X 1.5 X 80 SHCS, LOW HEAD
2	7335401	4	NUT, M10 X 1.5 SOCKET HEAD
3	7630101	4	RETAINER, CM/MJ, PULLEY
4	1012186-0001	4	SPACER: 1-1/4 OD X 1/4
5	1012309-0001	1	KIT: HARDWARE, 4 BOLT, S180

**SMSS\_Mat Storage**



Ref #	Part Number	Qty	Description
1	3236213	2	M10 X 1.5 X 80 SHCS, LOW HEAD
2	7630101	2	RETAINER, CM/MJ, PULLEY
3	1012186-0001	2	SPACER: 1-1/4 OD X 1/4
4	7335401	2	NUT, M10 X 1.5 SOCKET HEAD
5	3242004	1	NUT, M8 X 1.25 HEX NYLOCK
6	3237403	1	PLUG, 1 IN HOLE
7	1018891-0028	1	WELDMENT: MAT STORAGE, CHR
8	1008966-0001	1	BRKT: MAT STORAGE
9	7333802	1	CAP, SMALL FLOV-END
10	3273303	2	WASHER, 3/8, THRU-HARDENED
11	1008965-0001	2	PIN: MAT STORAGE

**SMSS\_White Board**



Ref #	Part Number	Qty	Description
1	1012864-0001	1	ASSEMBLY: WHITE BOARD
2	1012154-0028	1	WELDMENT: WHITEBOARD SUPPORT - CHR
3	1002974-0001	2	CAP, 1.5IN X 3IN, 10-14GA, END
4	3273303	4	WASHER, 3/8, THRU-HARDENED
5	3236202	4	M10 X 1.5 X 25 SHCS, LOW HEAD
6	7335401	2	NUT, M10 X 1.5 SOCKET HEAD
7	1012186-0001	2	SPACER: 1-1/4 OD X 1/4
8	7630101	2	RETAINER, CM/MJ, PULLEY
9	3236213	2	M10 X 1.5 X 80 SHCS, LOW HEAD
10	9462701	1	CAP, HAMMER, END 2 X 4

