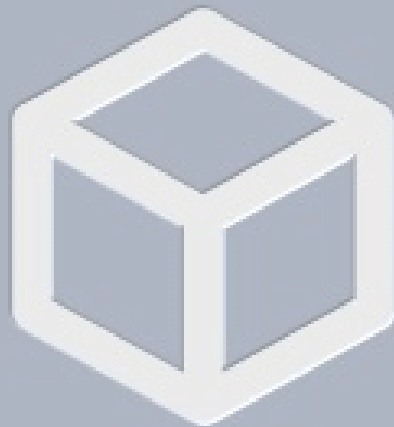


SYNRGY BLUESKY CONNECTOR CLAMP

SBS-CLAMP

Parts Manual

2/6/2024 1:10:01 AM

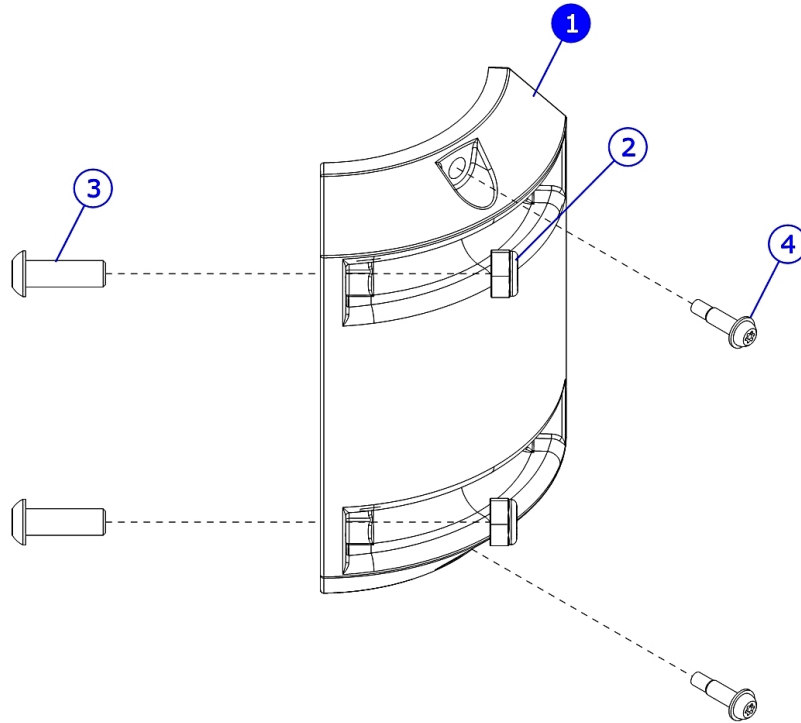


NO IMAGE AVAILABLE

Table of Contents

[Clamp Assembly.....](#)3

Clamp Assembly



Ref #	Part Number	Qty	Description
1	9457100	1	BKT, 5 INCH TUBE #998919P
2	200001938	2	NUT HEX M10 X 1.50 S.S.
3	200002030	2	SCREW MACH BUTTONHEAD M10 X 1.50 X 30MM
4	300002750	2	SCREW T-27 TORX ROUND WASHER HD
-	200066126	1	DRIVER BIT T-27 TAMPER-RESISTANT F/PB
-	200001175	1	T-45 TAMPER PROOF DRIVER BIT (T45)

