

# SYNRGY180 PERSONAL FREESTANDING SYSTEM

S180P-AFS

## Parts Manual

2/6/2024 1:07:07 AM



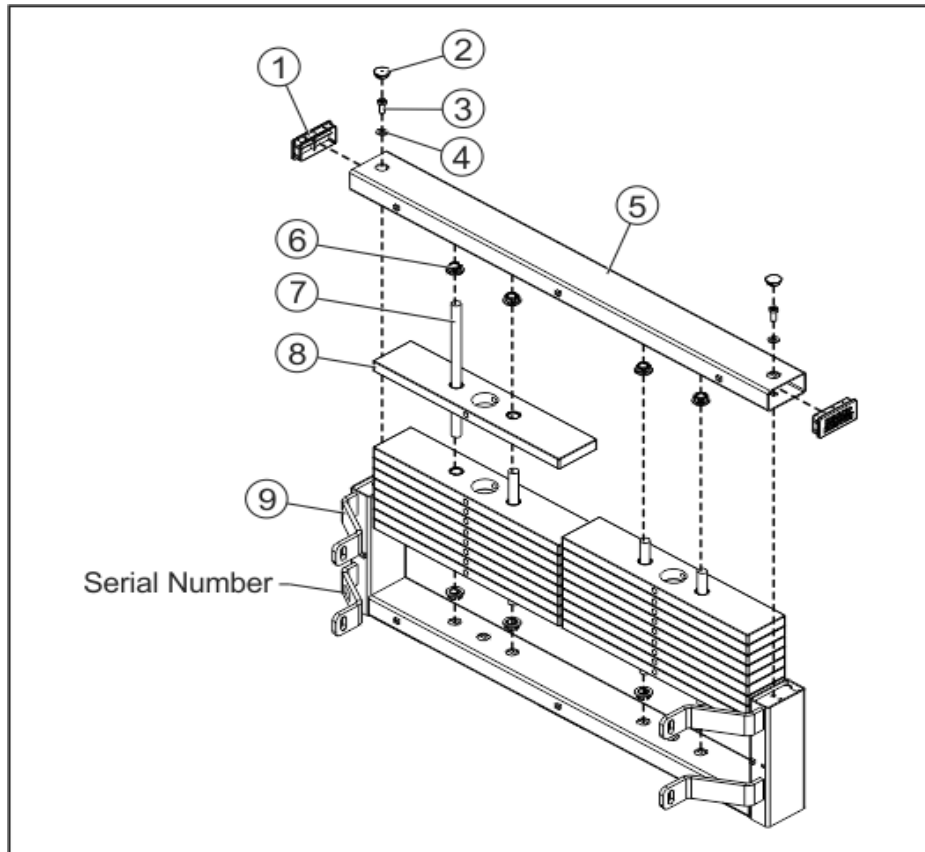
**S180P-AFS - SYNRGY180 PERSONAL  
FREESTANDING SYSTEM**

**Table of Contents**

---

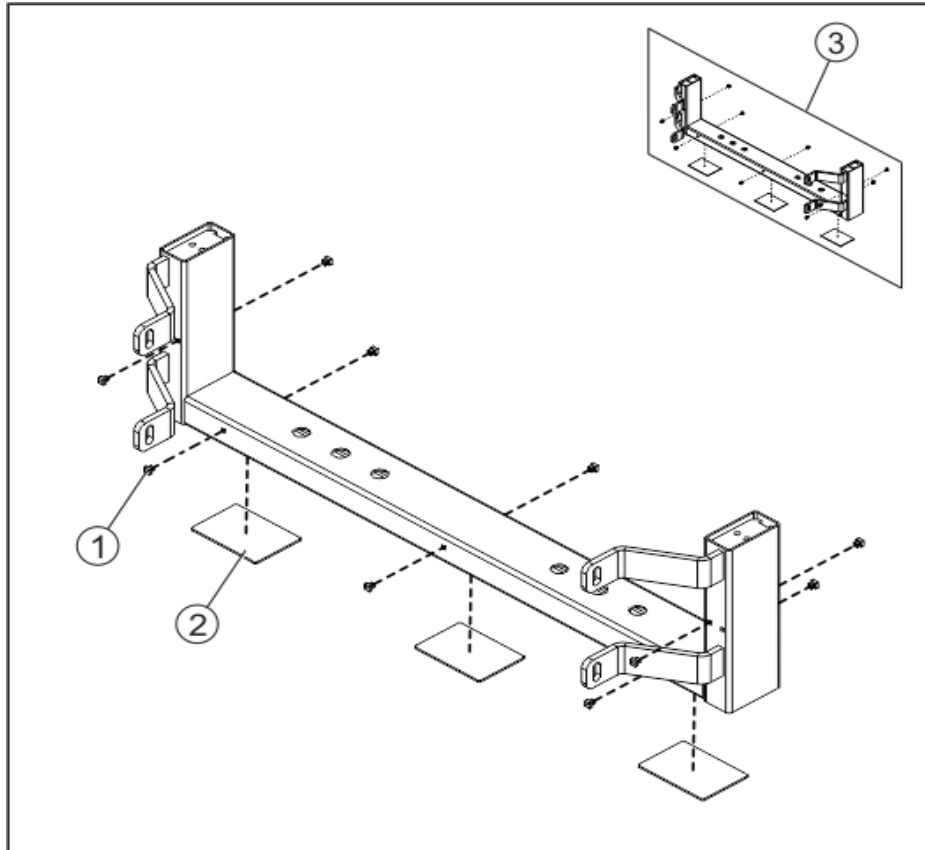
[S180P-AFS Ballast Assembly.....](#)3  
[S180P-AFS Ballast Bottom Assembly.....](#)4  
[S180P-AFS Ballast Hardware Kit.....](#)5  
[S180P-AFS Extension Leg.....](#)6  
[S180P-AFS Extension Leg Hardware Kit.....](#)7  
[S180P-AFS Foot Pad.....](#)8  
[S180P-AFS Shrouds.....](#)9  
[S180P-AFS Top Tube Assembly.....](#)10

## S180P-AFS Ballast Assembly



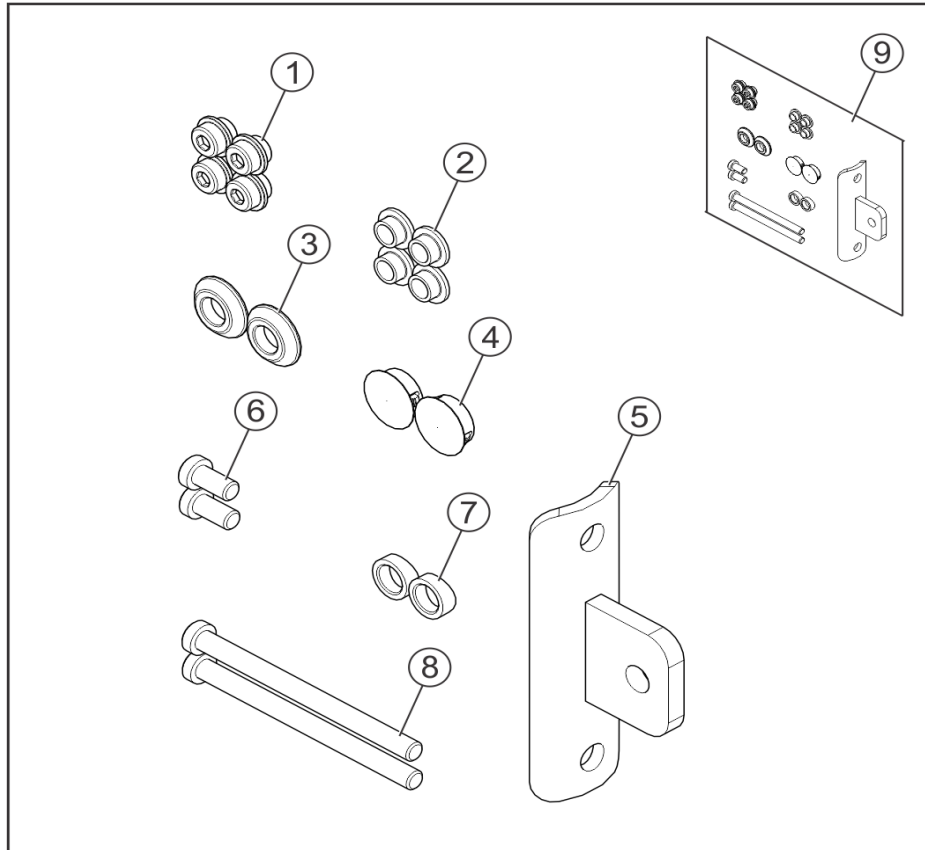
Ref #	Part Number	Qty	Description
1	9462701	2	CAP, HAMMER, END 2 X 4
2	3237403	2	PLUG, 1 IN HOLE
3	3236203	2	M10 X 1.5 X 30 SHCS, LOW HEAD
4	3273303	2	WASHER, 3/8, THRU-HARDENED
5	1019294-0001	1	ASSY: S180P-AFS, BALLAST TOP TUBE, GROMMETS, SERVICE
6	7337901	8	BUSHING, GUIDE ROD
7	1018177-0001	4	GUIDE ROD: 0.75 OD, SOLID, 13"
8	7328402	18	WEIGHT PLATE, 20 LB -BLK
9	1019296-0001	1	ASSY: S180P-AFS, BALLAST BOTTOM WELDMENT, GROMMETS, SERVICE

**S180P-AFS Ballast Bottom Assembly**



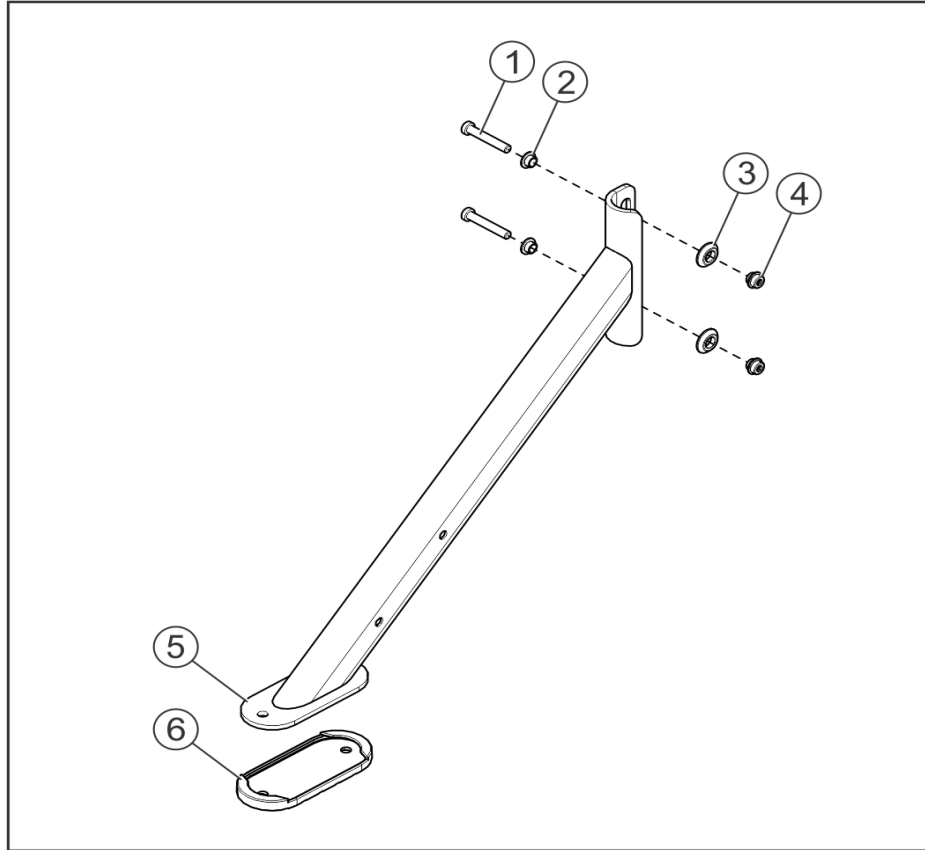
Ref #	Part Number	Qty	Description
1	0017-00042-1171	10	GROMMET: PLASTI B
2	1017694-0001	3	PAD: RUBBER
3	1019296-0001	1	ASSY: S180P-AFS, BALLAST BOTTOM WELDMENT, GROMMETS, SERVICE

**S180P-AFS Ballast Hardware Kit**



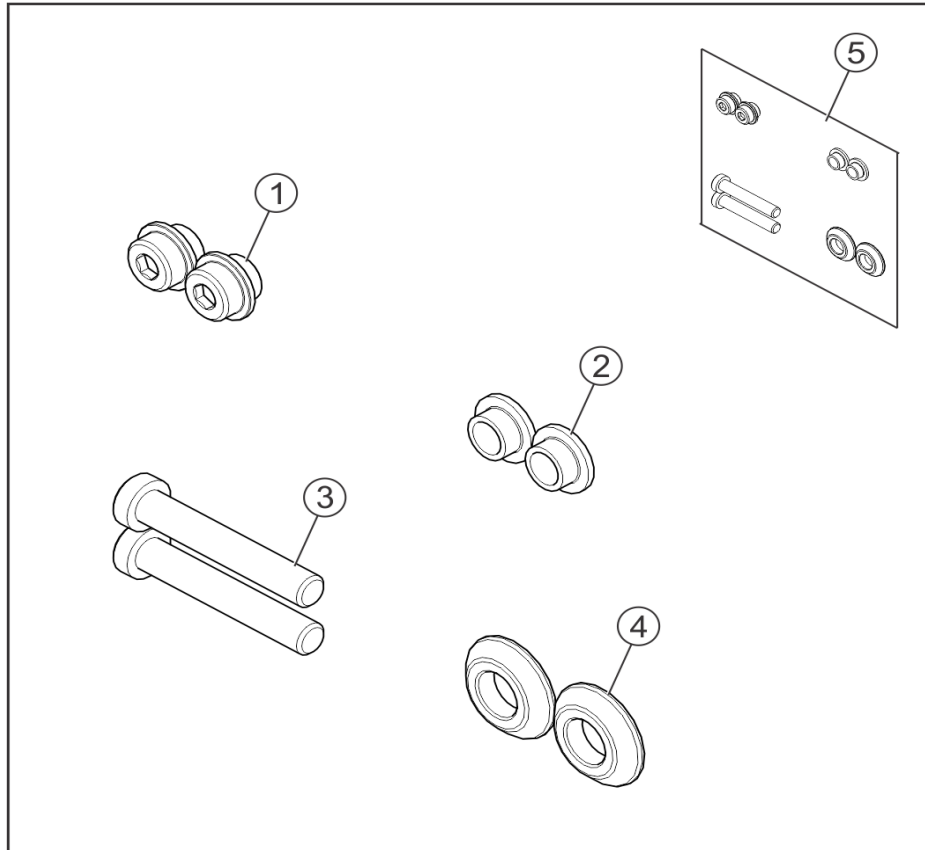
Ref #	Part Number	Qty	Description
1	7335401	4	NUT, M10 X 1.5 SOCKET HEAD
2	7630101	4	RETAINER, CM/MJ, PULLEY
3	1012186-0001	2	SPACER: 1-1/4 OD X 1/4
4	3237403	2	PLUG, 1 IN HOLE
5	1017697-0028	1	WLDMT: BRACKET, LG FLOV - CHR
6	3236202	2	M10 X 1.5 X 25 SHCS, LOW HEAD
7	1017698-0001	2	SPACER: LG FLOV CONCAVE
8	3236220	2	M10 X 1.5 X 130 SHCS, LOW HEAD
9	1018173-0001	1	KIT: BALLAST HARDWARE KIT, AFS

## S180P-AFS Extension Leg



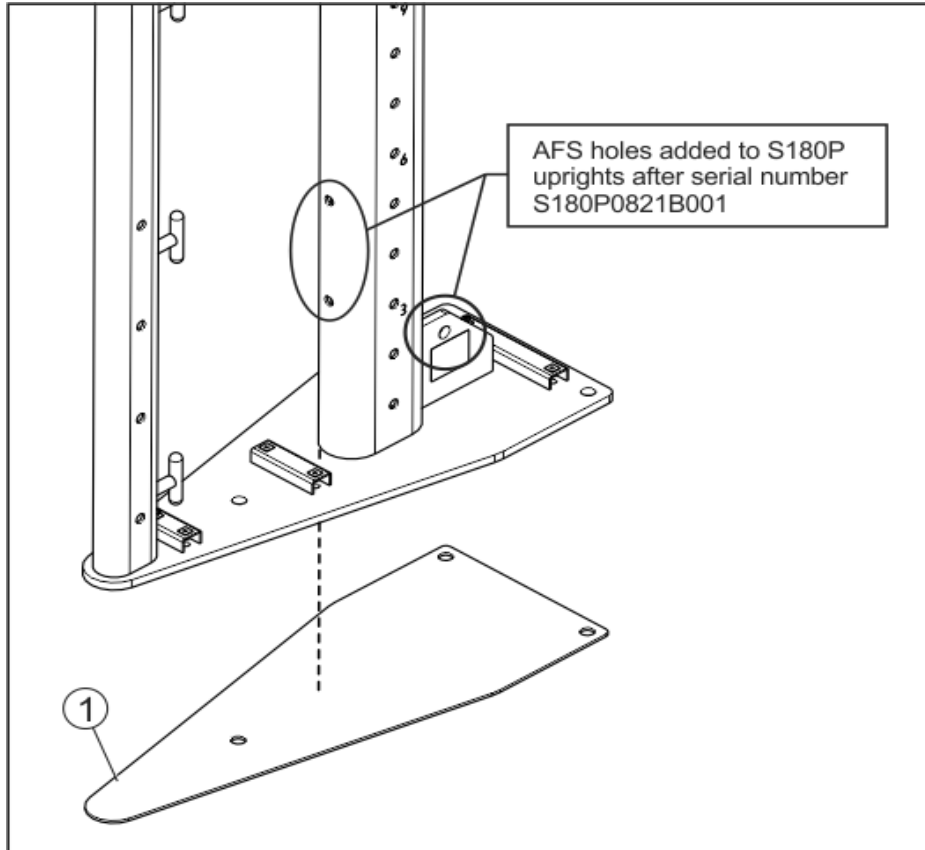
Ref #	Part Number	Qty	Description
1	3236209	2	M10 X 1.5 X 60 SHCS, LOW HEAD
2	7630101	2	RETAINER, CM/MJ, PULLEY
3	1017698-0001	2	SPACER: LG FLOV CONCAVE
4	7335401	2	NUT, M10 X 1.5 SOCKET HEAD
5	1017527-0000	1	WLDMT: EXTENSION LEG, SFLOV
6	8474502	1	FOOT, OPTIMA -BLK

## S180P-AFS Extension Leg Hardware Kit



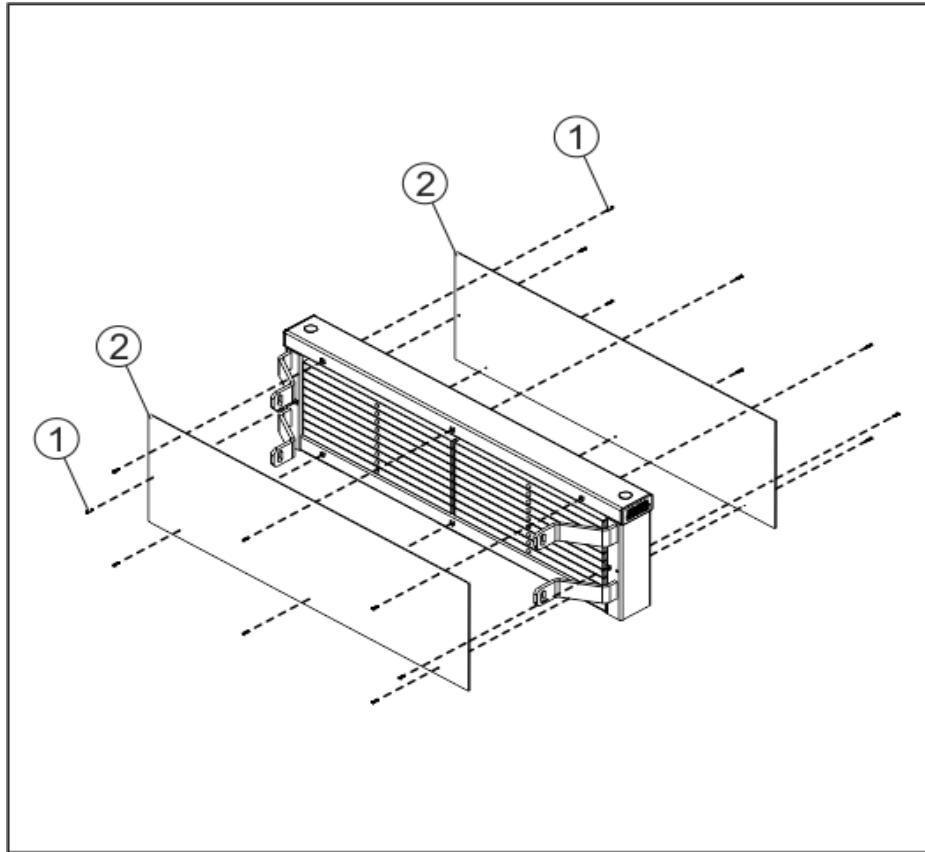
Ref #	Part Number	Qty	Description
1	7335401	2	NUT, M10 X 1.5 SOCKET HEAD
2	7630101	2	RETAINER, CM/MJ, PULLEY
3	3236209	2	M10 X 1.5 X 60 SHCS, LOW HEAD
4	1017698-0001	2	SPACER: LG FLOV CONCAVE
5	1018174-0001	1	KIT: HARDWARE, S180-AFS, EXTENSION LEG

## S180P-AFS Foot Pad



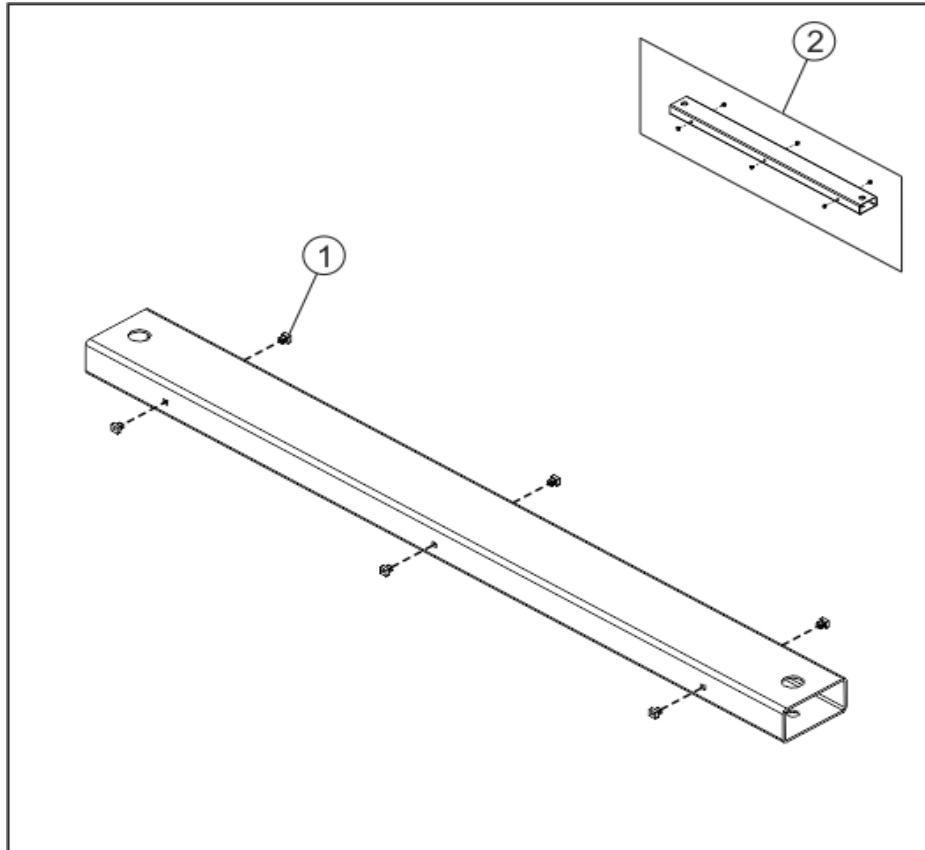
Ref #	Part Number	Qty	Description
1	1017525-0001	1	PAD: S180, RUBBER FOOT PAD

## S180P-AFS Shrouds



Ref #	Part Number	Qty	Description
1	3275601	16	SCREW, 6 X 3/4 DIN PHL PAN AB ST ZB
2	1018556-0001	2	SHROUD: S180P, BALLAST

## S180P-AFS Top Tube Assembly



Ref #	Part Number	Qty	Description
1	0017-00042-1171	6	GROMMET: PLASTI B
2	1019294-0001	1	ASSY: S180P-AFS, BALLAST TOP TUBE, GROMMETS, SERVICE

