

RUN BASE 120/60 DOMESTIC TRK

RRR-TR-0000-01

Parts Manual

2/6/2024 1:04:14 AM

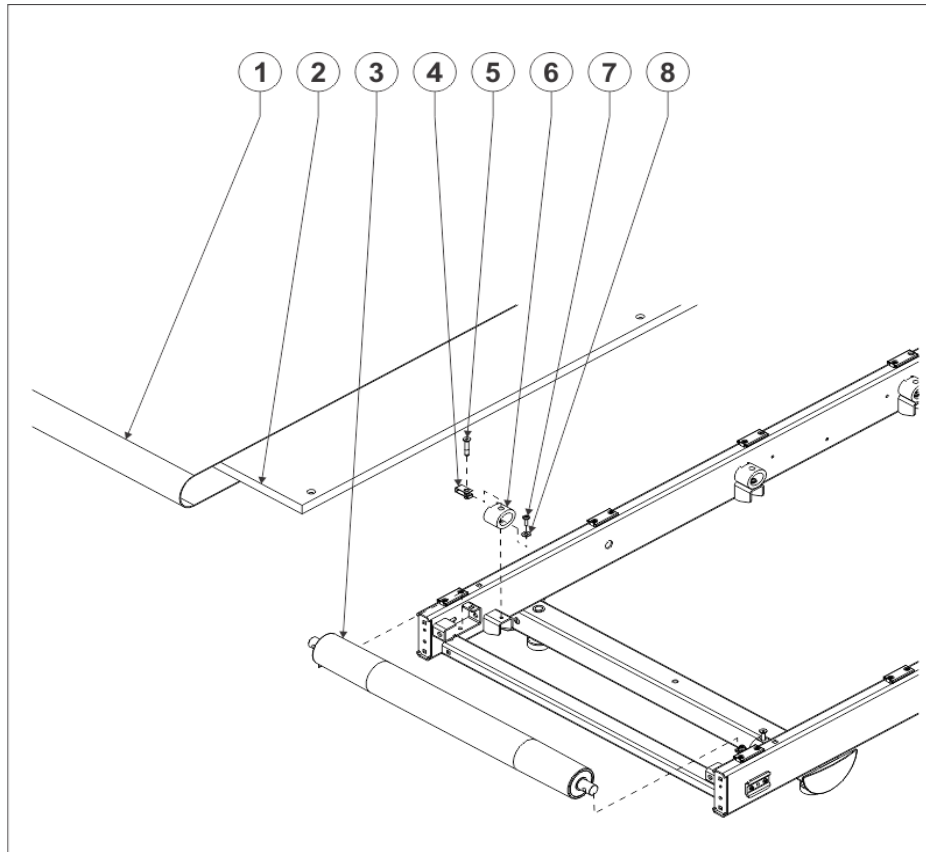


LifeFitness
WHAT WE LIVE FOR

Table of Contents

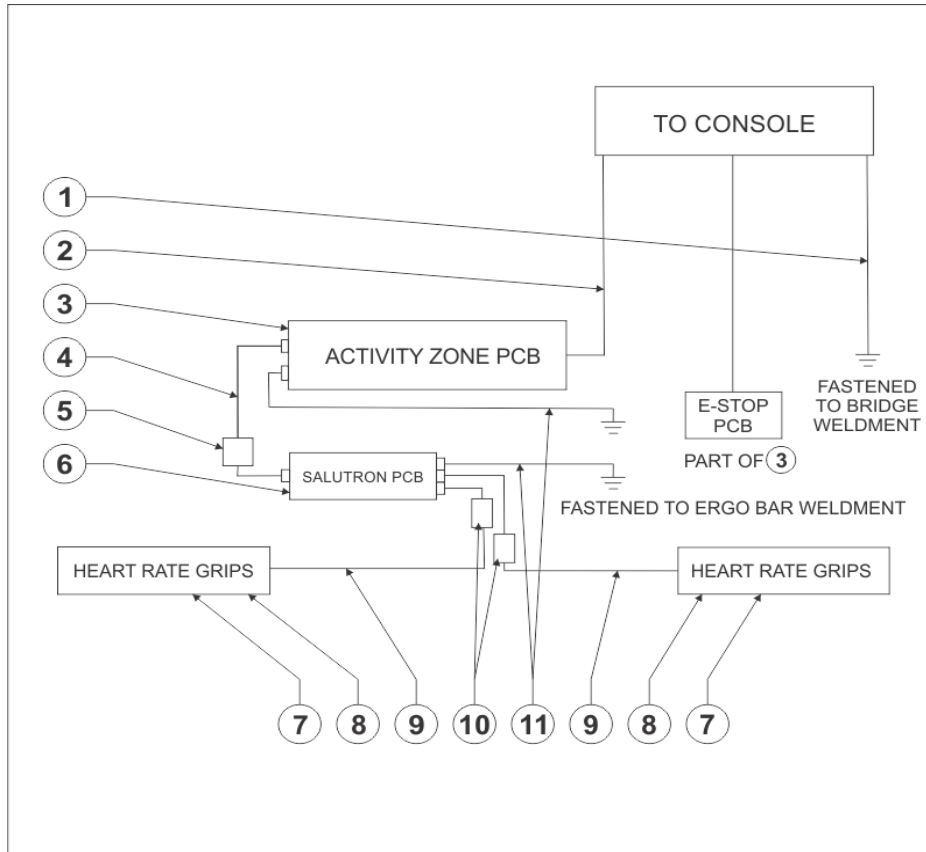
| | |
|--|--------------------|
| RRR-TR Belt, Deck and Rear Roller..... | 3 |
| RRR-TR Block Diagram: Bridge Assembly..... | 4 |
| RRR-TR Block Diagram: 120V Base..... | 5 |
| RRR-TR Console..... | 6 |
| RRR-TR Cover and Leg Levelers..... | 7 |
| RRR-TR Deck Motor Assembly..... | 8 |
| RRR-TR Ergo Bar..... | 9 |
| RRR-TR Extrusions and Rear End Caps..... | 10 |
| RRR-TR Front Roller Assembly..... | 11 |
| RRR-TR Lift Frame and Lift Motor..... | 12 |
| RRR-TR Motor Controller Assembly..... | 13 |
| RRR-TR Uprights..... | 14 |

RRR-TR Belt, Deck and Rear Roller



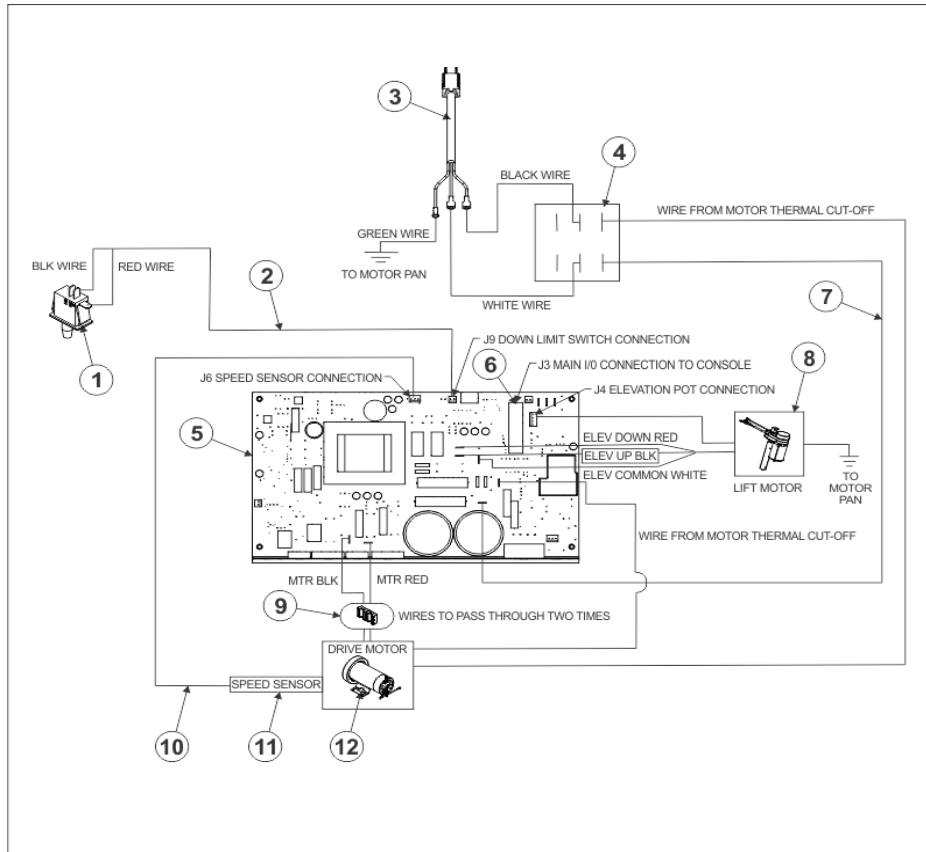
| Ref # | Part Number | Qty | Description |
|-------|-----------------|-----|--|
| 1 | 0K59-01132-0001 | 1 | BELT: WALKING 22 X 60 2.5inch PL |
| 2 | 0K59-01172-0000 | 1 | DECK, 20 X 60 WALKING SURFACE |
| 3 | 0K59-01170-0000 | 1 | ROLLER, REAR IDLER, 2.5 IN. |
| 4 | 1015145-0001 | 4 | SCREW: 1/4-20, HXS, FLT, L, CS, ST, ZB |
| 5 | 1011888-0001 | 4 | NUT: 1/4 - 20, U-CLIP |
| 6 | 0K40-01026-0001 | 8 | SPRING: TECSPAK, BLACK S/C-B |
| 7 | 3234804 | 8 | 12-24 X 10 PHL PAN TT ST BZ |
| 8 | 3114412 | 8 | WASHER, FLAT #10 USS ST BZ |

RRR-TR Block Diagram: Bridge Assembly



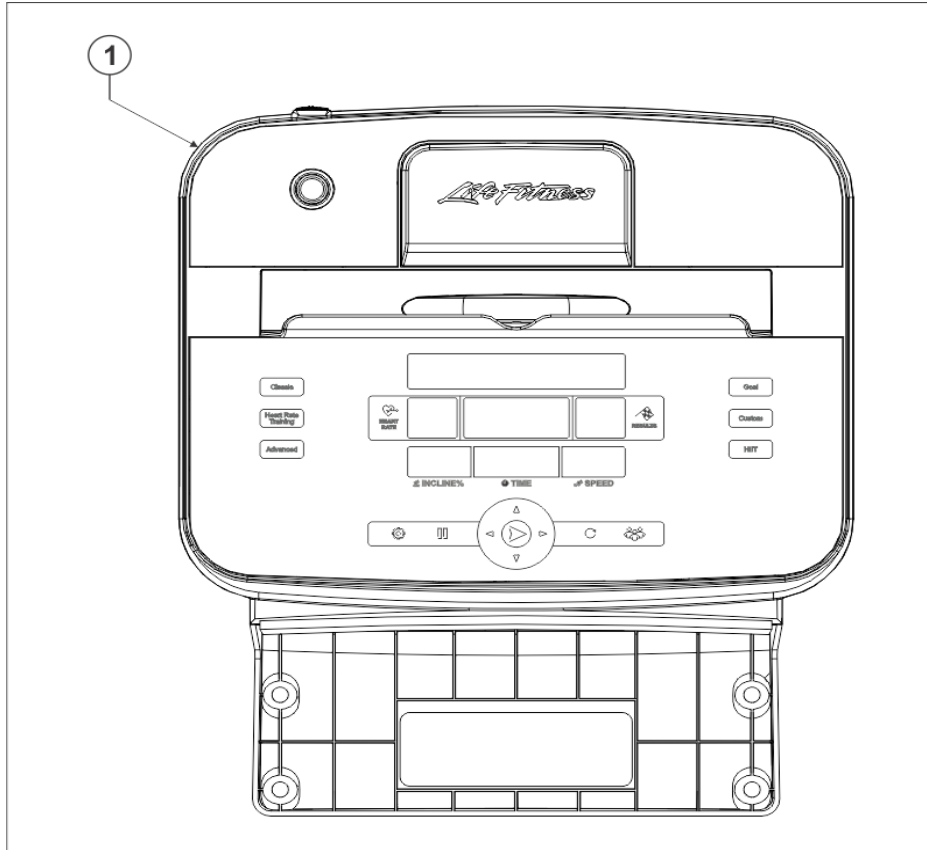
| Ref # | Part Number | Qty | Description |
|-------|-----------------|-----|---|
| 1,11 | AK59-00157-0000 | 3 | CABLE ASSY GROUND |
| 2 | AK59-00143-0000 | 1 | CABLE ASSY AZ TO CONSOLE |
| 3 | AK59-00133-0001 | 1 | ASSY ACTIVITY ZONE ENG/ENG, CG |
| 4 | AK59-00144-0000 | 1 | CABLE ASSY HR BOARD TO AZ |
| 5 | 121E-00001-0029 | 1 | FERRITE-BEAD: SPLIT RND CABLE |
| 6 | 8872201 | 1 | PCB SALUTRON HR M007893 DCI |
| 7 | AK60-00079-2403 | 2 | ELECTRODE: INSERT MOLD, TOP, CHARCOAL GRAY ELECTRODE: INSERT MOLD, BOTTOM, CHARCOAL GRAY |
| 8 | AK60-00080-2403 | 2 | |
| 9 | AK59-00150-0000 | 2 | CABLE ASSY HR BOARD TO GRIPS |
| 10 | 9001401 | 2 | FERRITE CLAMP ON 9MM, 35 OHM TDK ZCAT2017-0930 |

RRR-TR Block Diagram: 120V Base



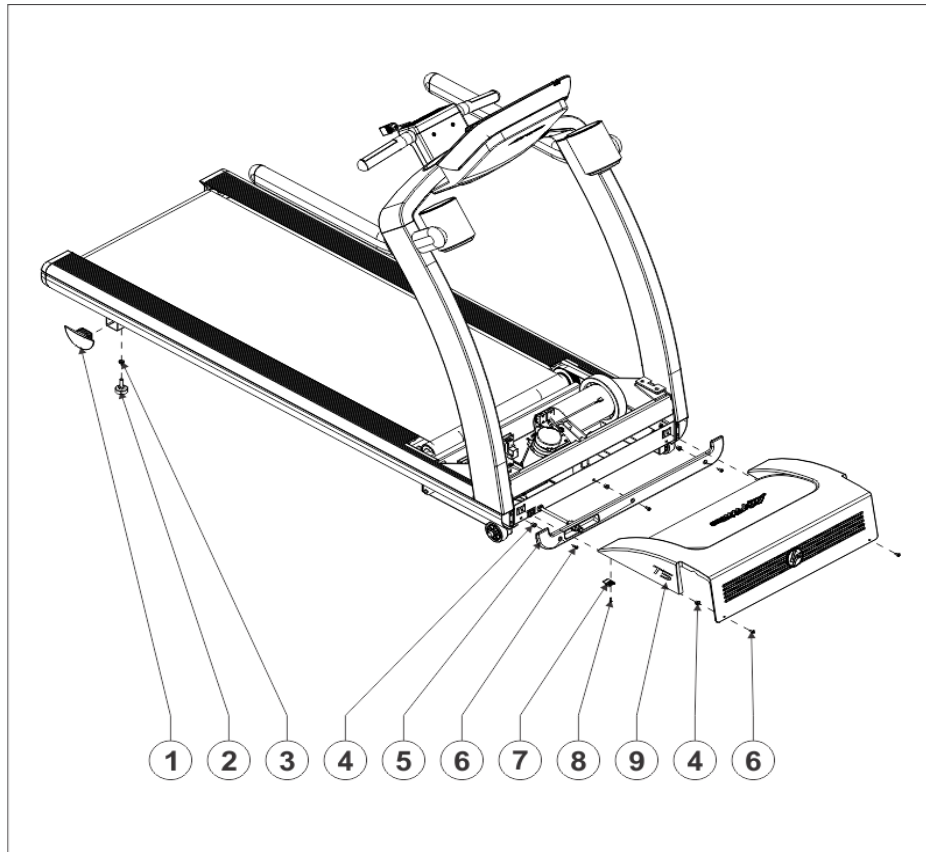
| Ref # | Part Number | Qty | Description |
|-------|-----------------|-----|--------------------------------|
| 1 | 0K59-01363-0000 | 1 | SWITCH, LIMIT |
| 2 | AK59-00140-0000 | 1 | CABLE ASSY DOWN LIMIT TO MCB |
| 3 | 7420601 | 1 | LINE CORD |
| 4 | 0017-00032-0198 | 1 | SWITCH: POWER, DPST ROCKER |
| 5 | 0K59-01358-0000 | 1 | MOTOR CONTROLLER 120V T5 |
| 6 | AK59-00142-0000 | 1 | CABLE ASSY CONSOLE TO MCB |
| 7 | AK59-00083-0000 | 1 | CBL-ASSY: POWER CONTROL C |
| 8 | 0K59-01341-0000 | 1 | ACTUATOR LINEAR 115/60 W/POT |
| 9 | 121E-00001-0010 | 1 | FERRITE-BEAD: SUPPRESSION B |
| 10 | AK59-00141-0000 | 1 | CABLE ASSY SPEED SENSOR TO MCB |
| 11 | 3230001 | 1 | OPTO, SENSOR |
| 12 | AK59-00148-0000 | 1 | ASSY,MOTOR 3.00 HP, 120V |

RRR-TR Console



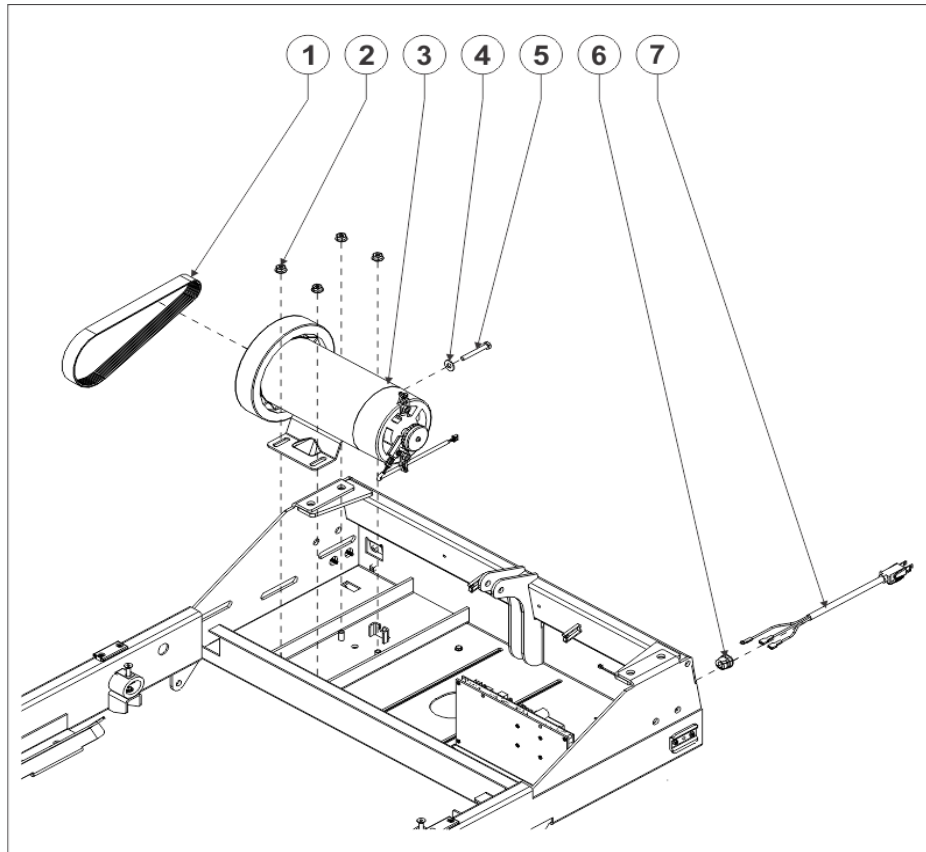
| Ref # | Part Number | Qty | Description |
|-------|--------------|-----|------------------|
| 1 | 1017194-0001 | 1 | NC ASSY: CONSOLE |

RRR-TR Cover and Leg Levelers



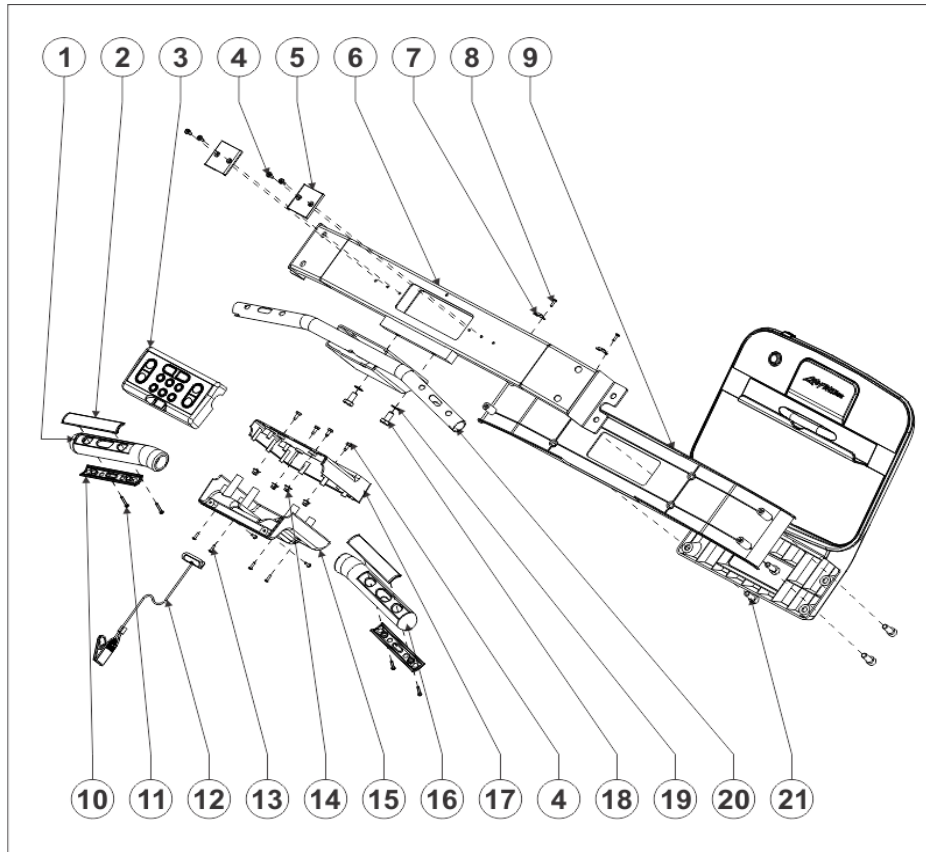
| Ref # | Part Number | Qty | Description |
|-------|-----------------|-----|---|
| 1 | 0K59-01175-0000 | 2 | CAP: END; LEVELER TUBE |
| 2 | AK59-00119-0001 | 2 | ASSY, LEG LEVELER |
| 3 | 3225802 | 2 | NUT, 3/8-16 JAM |
| 4 | 0017-00042-0326 | 5 | GROMMET: 0.13/0.005, S/C #13-B, PLASTIC |
| 5 | 0K59-01173-0002 | 1 | COVER: LOWER FRONT, CG |
| 6 | 0017-00101-1776 | 5 | SCREW: 10-16 X 8, PHL, PAN, ST, ZB |
| 7 | 0K59-01317-0000 | 2 | CLIP, MOTOR COVER |
| 8 | 3223501 | 2 | 6-20 X 8 PHL PAN B ST ZN |
| 9 | AK59-00139-0001 | 1 | ASSY: MOTOR COVER |

RRR-TR Deck Motor Assembly



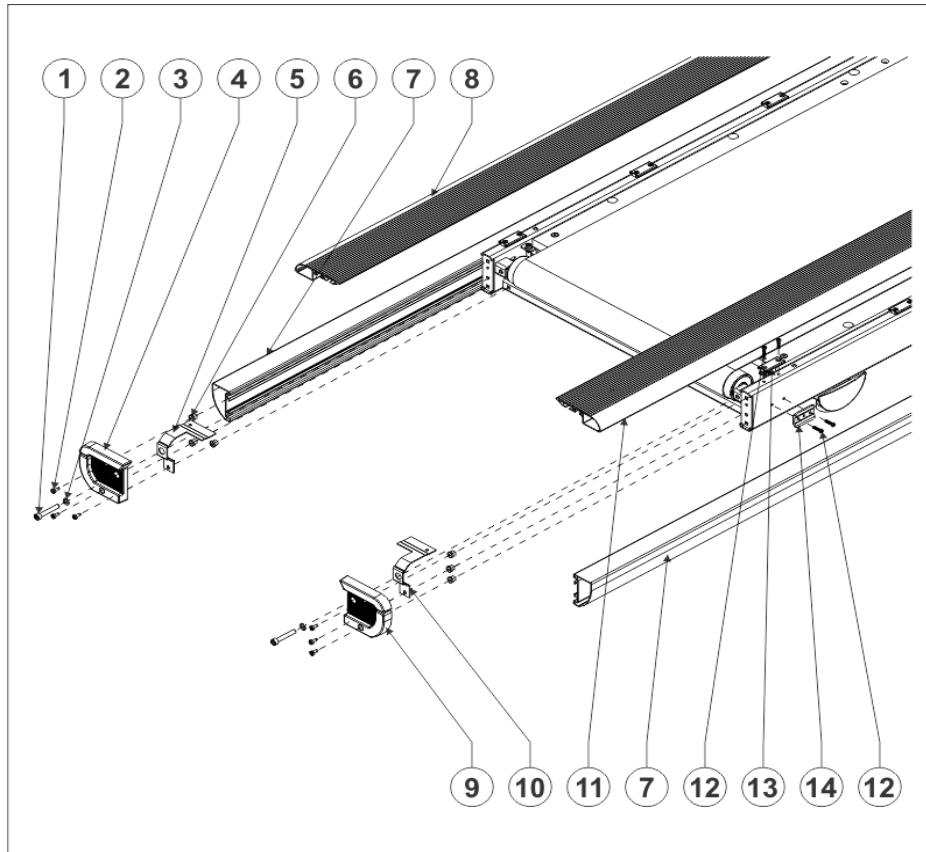
| Ref # | Part Number | Qty | Description |
|-------|-----------------|-----|------------------------------|
| 1 | 3259601 | 1 | BELT, POLY-V 240 J10 |
| 2 | 3205801 | 4 | NUT, 5/16-18 HEX SERR FLANGE |
| 3 | AK59-00148-0000 | 1 | ASSY,MOTOR 3.00 HP, 120V |
| 4 | 3102506 | 1 | WASHER, FLAT 1/4 ID ZN |
| 5 | 3205401 | 1 | 1/4-20 X 2 UNS HEX FHB G5 ZN |
| 6 | 3206901 | 1 | BUSHING, STRAIN RELIEF |
| 7 | 7420601 | 1 | LINE CORD |

RRR-TR Ergo Bar



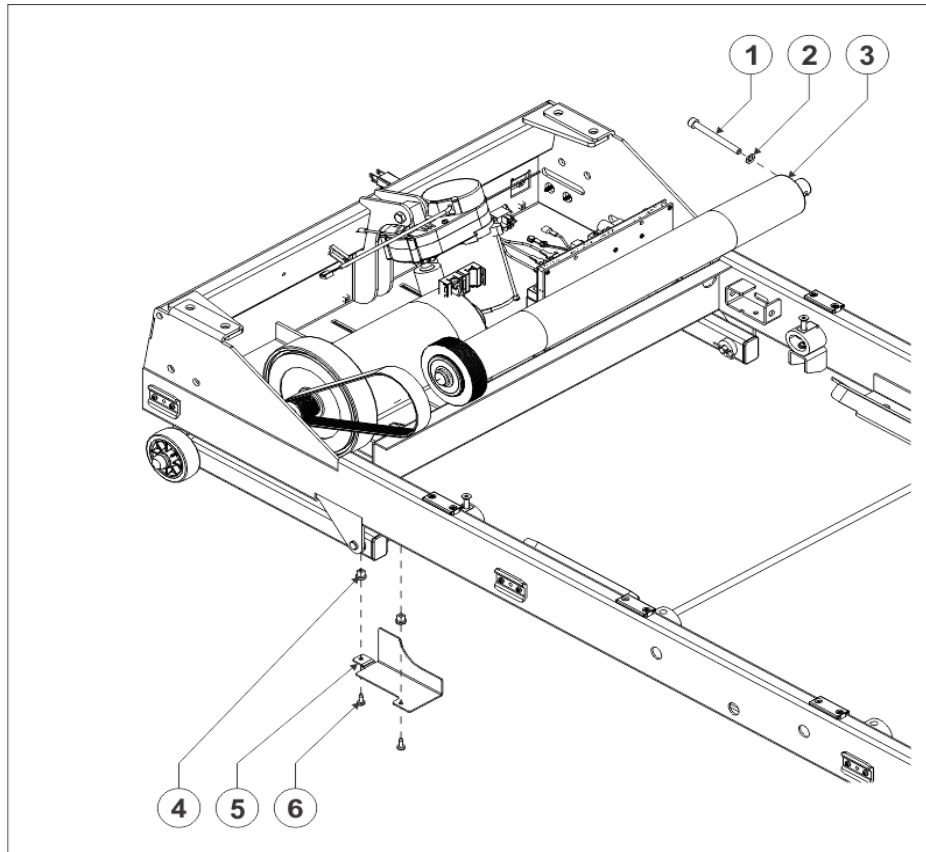
| Ref # | Part Number | Qty | Description |
|-------|-----------------|-----|---|
| 1 | 0K59-01303-0001 | 1 | GRIP: HANDLEBAR, ERGO LT, CG |
| 2 | AK60-00079-2403 | 2 | ELECTRODE: INSERT MOLD, TOP, CHARCOAL GRAY |
| 3 | AK59-00133-0001 | 1 | ASSY ACTIVITY ZONE ENG/ENG, CG |
| 4 | 0017-00101-1776 | 8 | SCREW: 10-16 X 8, PHL, PAN, ST, ZB |
| 5 | 0K59-01301-0000 | 2 | COVER, WIRE GUIDE |
| 6 | AK59-00060-0002 | 1 | ASSY BRIDGE |
| 7 | 3255601 | 2 | CLIP, PLASTIC TENSION |
| 9 | 0K59-01203-0002 | 1 | COVER: BOTTOM CROSS, CG |
| 10 | AK60-00080-2403 | 2 | ELECTRODE: INSERT MOLD, BOTTOM, CHARCOAL GRAY |
| 11 | 0017-00101-2054 | 4 | SCREW: 6-19 X 16, PHL, PAN, HLS, ST, ZN |
| 12 | AK59-00135-0000 | 1 | ASSY STOP KEY |
| 13,8 | 3226003 | 8 | 6-20 X 8 PHL PAN PLT ST BZ |
| 14 | 0017-00042-1147 | 4 | GROMMET: SCREW, 8 OR 10 |
| 15 | 0K59-01204-0001 | 1 | COVER: ERGO-BAR; BOTTOM, CG |
| 16 | 0K59-01243-0001 | 1 | GRIP: HANDLEBAR, ERGO RT, CG |
| 17 | 0K59-01205-0001 | 1 | COVER: ERGO-BAR; TOP, CG |
| 18 | 3254901 | 2 | M10 X 1.5-6G 6G X 020 DIN UNS HEX CS ST ZN |
| 19 | 3239503 | 2 | WSH, 391-.682-036 IN-D ST ZN |
| 20 | 0K59-01226-0002 | 1 | WELDMENT, ERGO BAR PLATED |
| 21 | 3254602 | 4 | M10 X 1.5-6G6GX025 DIN HXS SOC CS ST BZ |

RRR-TR Extrusions and Rear End Caps



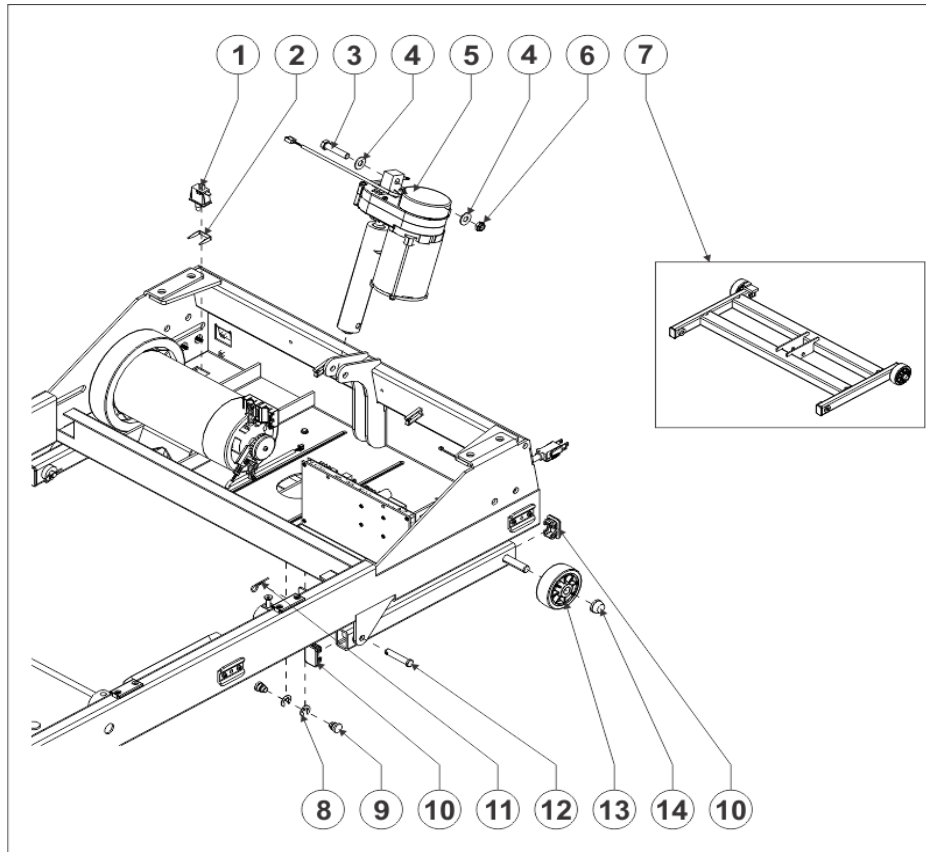
| Ref # | Part Number | Qty | Description |
|-------|-----------------|-----|---|
| 1 | 3253907 | 2 | M8 X 1.25-6G6GX050 DIN HXS SOC CS ST BZ |
| 2 | 0017-00101-1621 | 6 | VMI 10-16X 8 PHL PAN B ST BZ B |
| 3 | 3114409 | 2 | WASHER, FLAT 5/16 AN ST BZ |
| 4 | 0K59-01179-0001 | 1 | CAP: END; LT. 2.5" ROLLER, CG |
| 5 | 0K59-01213-0000 | 1 | GUARD, REAR ROLLER, T7, LH |
| 6 | 0017-00042-0326 | 6 | GROMMET: 0.13/0.005, S/C #13-B, PLASTIC |
| 7 | 0K59-01174-0001 | 2 | EXTRUSION: LOWER, CG |
| 8 | AK59-00094-0001 | 1 | ASSY: EXTRUSION, LT, CHARCOAL |
| 9 | 0K59-01178-0001 | 1 | CAP: END; RT. 2.5" ROLLER, CG |
| 10 | 0K59-01212-0000 | 1 | GUARD, REAR ROLLER, T7, RH |
| 11 | AK59-00093-0001 | 1 | ASSY: EXTRUSION, RT, CHARCOAL |
| 12 | 3206601 | 36 | 10 X 16 TRX PAN 25 ST BZ |
| 13 | 0K59-01254-0000 | 10 | CLIP: EXTRUSION MOUNTING |
| 14 | 7074401 | 6 | BRACKET, EXTRUSION MOUNTING |

RRR-TR Front Roller Assembly



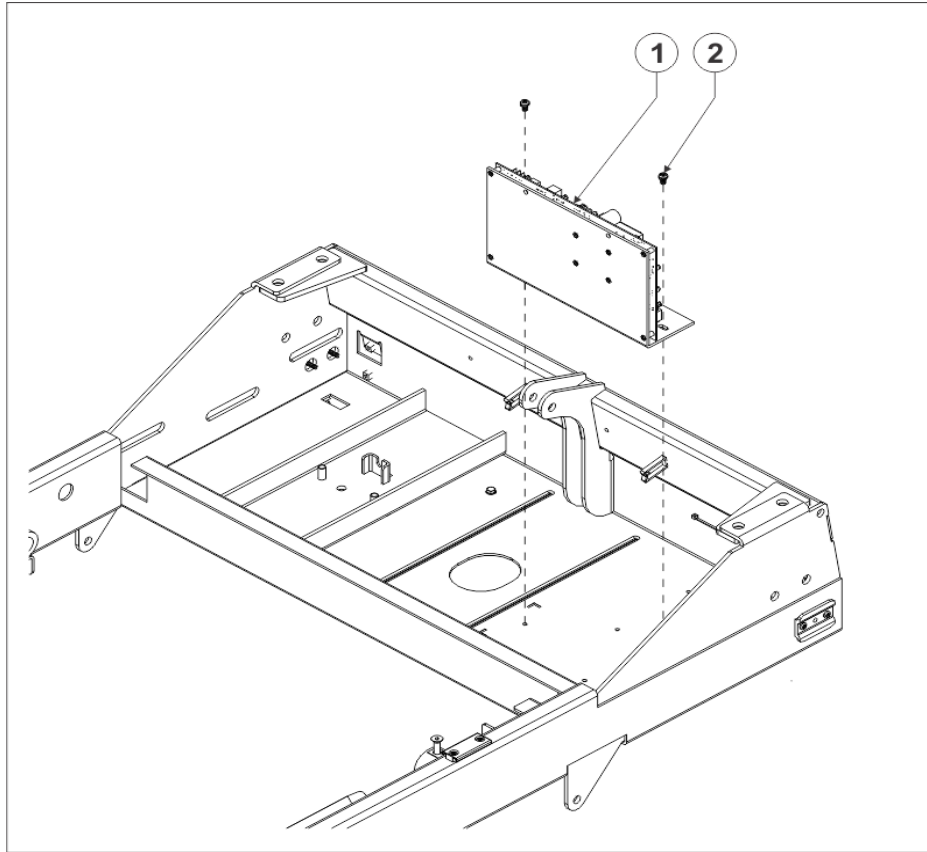
| Ref # | Part Number | Qty | Description |
|-------|-----------------|-----|--|
| 1 | 3253913 | 1 | M8 X 1.25-6G6GX080 DIN HXS SOC CS ST BZ |
| 2 | 3114409 | 1 | WASHER, FLAT 5/16 AN ST BZ |
| 3 | AK59-00068-0001 | 1 | ASSY, FRONT ROLLER W/PULLEY, 2.5in., T70 |
| 4 | 0017-00042-0326 | 2 | GROMMET: 0.13/0.005, S/C #13-B, PLASTIC |
| 5 | 0K59-01242-0000 | 1 | GUARD, T7 PULLEY |
| 6 | 0017-00101-1776 | 2 | SCREW: 10-16 X 8, PHL, PAN, ST, ZB |

RRR-TR Lift Frame and Lift Motor



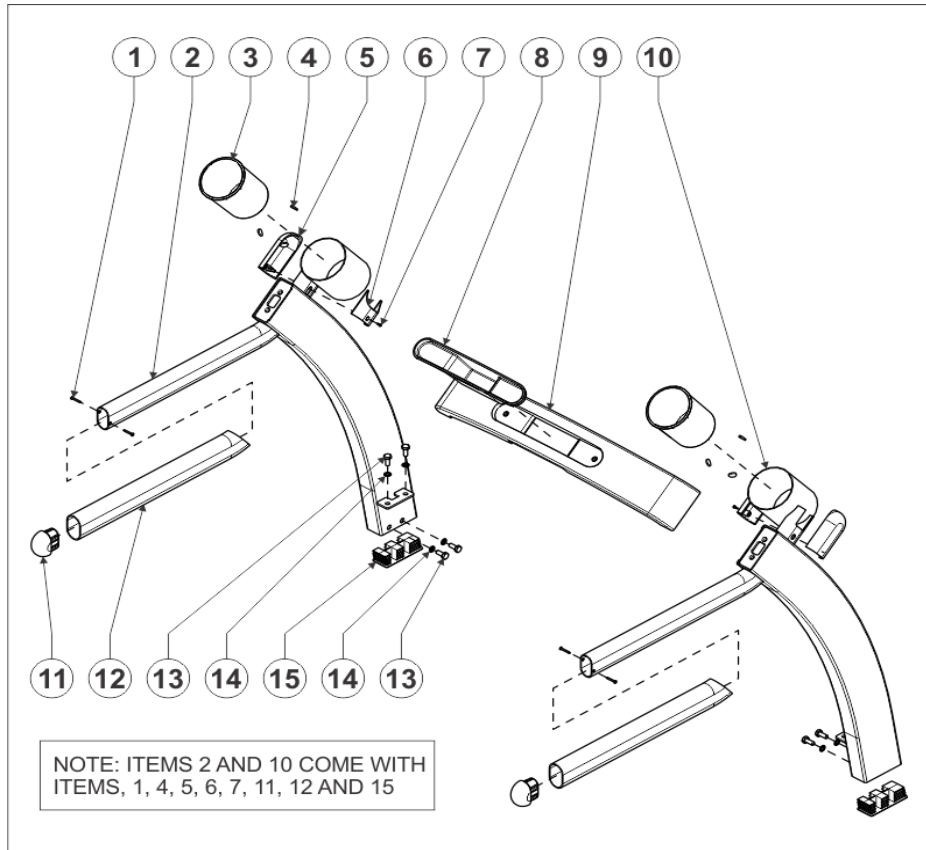
| Ref # | Part Number | Qty | Description |
|-------|-----------------|-----|---------------------------------|
| 1 | 0K59-01363-0000 | 1 | SWITCH, LIMIT |
| 2 | 6872701 | 1 | CLIP, SWITCH RETAINING |
| 3 | 3223304 | 1 | 3/8-16X1-3/4 UNS HEX FHB G5 ZN |
| 4 | 3227202 | 2 | WSH,.377 X .875 X .062 FLT NY |
| 5 | 0K59-01341-0000 | 1 | ACTUATOR LINEAR 115/60 W/POT |
| 6 | 3102807 | 1 | NUT, NYLOCK 3/8-16 LOW HT |
| 7 | 0K59-01158-0001 | 1 | ASSY, LIFT FRAME |
| 8 | 3221705 | 2 | E-RING, EXTERNAL 1/2 |
| 9 | 0K59-01187-0000 | 2 | PIN, ACTUATOR LIFT FRAME |
| 10 | 6836601 | 4 | CAP, END 1 X 1-1/2 11GA |
| 11 | HP016820 | 2 | COTTER PIN .125 X 1.25 |
| 12 | 3256001 | 2 | PIN: 3/8 X 20 CLEVIS ST BZ |
| 13 | 0K59-01164-0000 | 2 | WHEEL: 3.0 OD X .50 ID OVERMOLD |
| 14 | 3205101 | 2 | PUSHNUT, 1/2 SHAFT |

RRR-TR Motor Controller Assembly



| Ref # | Part Number | Qty | Description |
|-------|-----------------|-----|------------------------------|
| 1 | 0K59-01358-0000 | 1 | MOTOR CONTROLLER 120V T5 |
| 2 | 3266501 | 2 | 10-32 X 6 TRX PAN S TT ST ZN |

RRR-TR Uprights



| Ref # | Part Number | Qty | Description |
|-------|-----------------|-----|--|
| 1 | 3255504 | 4 | M4.2 X 032 DIN PHL FLT ST ZN |
| 2 | 1017267-0001 | 1 | ASSY: UPRIGHT, LT, CG |
| 3 | 0K59-01245-0001 | 2 | INSERT: CUP, CG |
| 4 | 3255401 | 6 | BUMPER, FELT, 3/4" DIA, 1/8" THK |
| 5 | 0K59-01199-0001 | 2 | COVER: CUPHOLDER; INNER, CG |
| 6 | 0K59-01200-0001 | 2 | COVER: CUPHOLDER; OUTER, CG |
| 7 | 3207501 | 2 | 6-20 X 6 PHL PAN B ST BZ |
| 8 | 0K59-01244-0001 | 1 | HOLDER: ACCESSORY, CG |
| 9 | 0K59-01206-0002 | 1 | COVER: TOP CROSS, CG |
| 10 | 1017266-0001 | 1 | ASSY: UPRIGHT, RT, CG |
| 11 | 0K59-01134-2400 | 2 | ENDCAP: HANDLEBAR, CHARCOAL GRAY |
| 12 | 0K59-01135-0001 | 2 | GRIP: HANDLEBAR; FO, CG |
| 13 | 3254902 | 8 | M10 X 1.5-6G 6G X 025 DIN UNS HEX CS ST ZN |
| 14 | 3239503 | 8 | WSH, 391-.682-036 IN-D ST ZN |
| 15 | 0K59-01136-0001 | 2 | CAP: END; UPRIGHT, CG |

