

PF ASPIRE RECUMBENT BIKE SL MODEL

PF-ASPR-SL-ALLXN-12

Parts Manual

2/6/2024 0:21:18 AM

Table of Contents

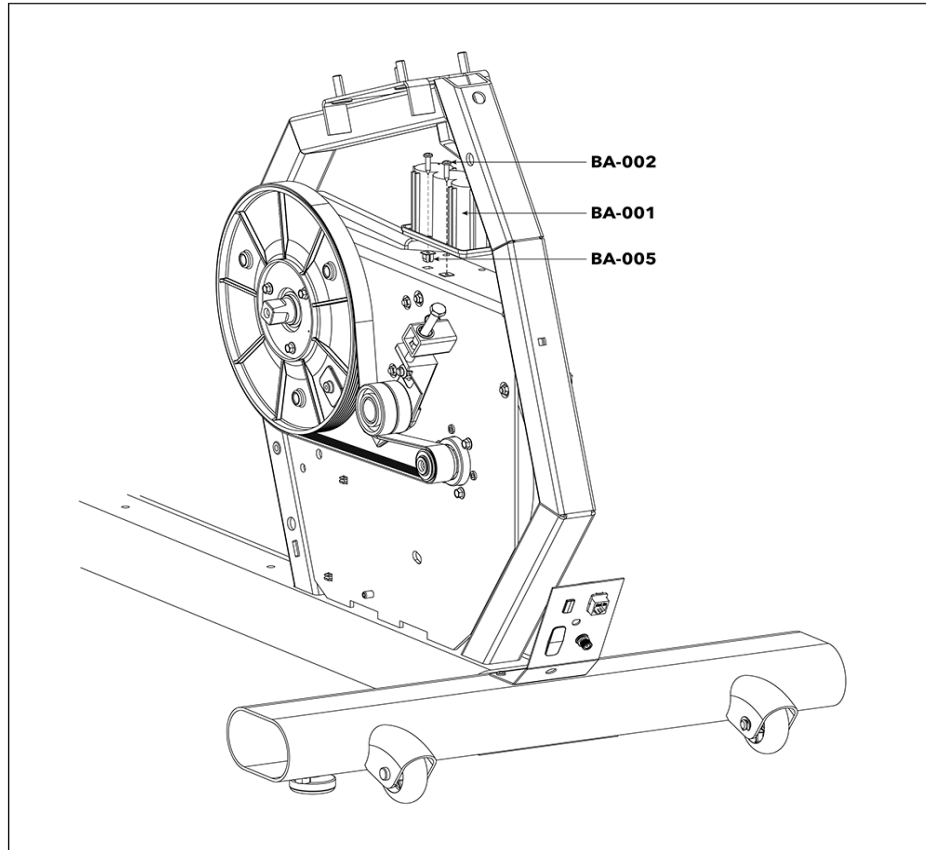
A Legend Description	3
Battery	4
Communication Port, Plugs, and PCB Assembly	5
Cup Holders and Seat Bottom	6
Drivetrain	7
Front Roller and Leg Levelers	8
Handlebars and Seat Mount Weldment	9
Lift Assembly	10
Main Shrouds and Crank Arms	11
Monocolumn	12
Pedals and Miscellaneous	13
Power Cords	14
Roller	15
Seat Back	16
Seat Carriage	17
Seat Rail	18
Wiring Diagram	19

A Legend Description

Integrity Base Finished Good Example: INT-SSL-ASLHM-SW11AR											
IN	T	S	SL	ASL	H	M	SW	11	AR		
PRODUCT LINE: Integrity (IN) Club Series Plus (CS)	BASE TYPE: Treadmill (T) Cross-Trainer (X) Recumbent Bike (R) Upright Bike (C)	STYLE: Simple (S) Deluxe (D)	CONSOLE CAPABILITY: Integrity SL (SL) Entertainment (E) Discover ST or SE3HD	COLOR: Arctic Silver (ASL) Titanium (TTN) Black (BLK) Diamond White (DWT)	VOLTAGE: High (H) Low (L)	GENERATION: McFly (M) Legacy (X)	SERVICE WHEEL	REVISION	LANGUAGE: Arabic (AR) English unless other language specified		
Integrity Base Finished Good Example: INT-SST-ALLXX-11					LF Arc Base Finished Good Example: INTLS-ALLXX-7101						
IN	T	S	ST	ALL	X	11	IN	TLS	ALL	XX	7101
PRODUCT LINE: Integrity (IN) Club Series Plus (CS)	BASE TYPE: Treadmill (T) Cross-Trainer (X) Recumbent Bike (R) Upright Bike (C)	STYLE: Simple (S) Deluxe (D)	CONSOLE CAPABILITY: Discover ST (ST) Integrity SL (SL)	LANGUAGE: All Languages (ALL)	VERSION: McFly (M) Legacy (X)	REVISION	PRODUCT LINE: Integrity (IN)	BASE TYPE: Advanced Base (AT) Basic Base (T) Total Body (TS) Lower Body (LS)	STANDARD: No High or low voltage	CONSOLE CAPABILITY: Integrity C/A (CX) Discover SE3HD/ST (XX) Integrity SL (XM)	COLOR: Diamond White (7101) Titanium Storm (7201) Arctic Silver (5101) Black Onyx (7301) PF Purple (5801)
Integrity Item Description Example: ARB INT TREAD SIMPLE SL ARC SIL HIGH VT SW BASE UK											
ARB	INT	TREAD	SIMPLE	SL	ARC SIL	HIGH VT	SW	BASE	UK		
LANGUAGE: Arabic (ARB) English unless other language specified	PRODUCT LINE: Integrity (INT) Club Series Plus (CS)	BASE TYPE: Treadmill (TREAD) Cross-Trainer (X / TT) Recumbent Bike (R / RB) Upright Bike (C / UB)	STYLE: Simple (S) Deluxe (DLX)	CONSOLE CAPABILITY: Integrity SL (SL) Discover ST or Discover SE3HD (DSC)	COLOR: Arctic Silver (ARC SIL) Titanium (TTN) Black (BLK) Diamond White (DIA WHT)	VOLTAGE: High (High VT) Low (Low VT)	SERVICE WHEEL	PRODUCT TYPE: Base	LINE CORD: UK High Voltage (UK) Argentina (ARG) Domestic Low Voltage (DLV)		
Aspire Base Finished Good Example: ASPT-ASLLN-12					SL Console Finished Good Example: SLA-CNSL-ENG-01						
ASP	T	ASL	L	N	12	SL	A	CNSL	ENG	01	
PRODUCT LINE: Aspire (ASP)	BASE TYPE: Treadmill (T) Cross-Trainer (X) Upright Bike (C) Recumbent Bike (R)	COLOR: Arctic Silver (ASL) Charcoal (CGC)	VOLTAGE: Low (L) High (H)	VERSION: Neo (N)	REVISION	CONSOLE TYPE: Integrity SL (SL)	BASE TYPE: Arc (A) Tread (T) PowerBike (P) Cross-Trainer / Bikes (XB)	Console (CNSL)	LANGUAGE: Three character language abbreviation	REVISION	
SE4 Console Finished Good Example: SE424T-EWXXP-01											
SE4	24	T	E	W	X	X	P	01			
CONSOLE TYPE: Discover SE4 (SE4)	CONSOLE SIZE: 24 16	BASE TYPE: Tread (T) Non Tread (N)	LANGUAGE (Warning Label) English (E) All (A)	WIFI ENABLED: Wifi Enabled (W)	NFC or RFD: NFC (X) RFD (R)	PLACEHOLDER	TUNER TYPE: PROIDIOM/DAM (P) DVBT2/DVB/C/DVBS/PAL/SECAM (D) ISBT/ATSC (S) STB/SYNC (I) ATSC/DAM/NTSC (A) (on SE4/SE3HD/ST only) PROIDIOM OVER ETHERNET (E) (on SE4 only)	REVISION			

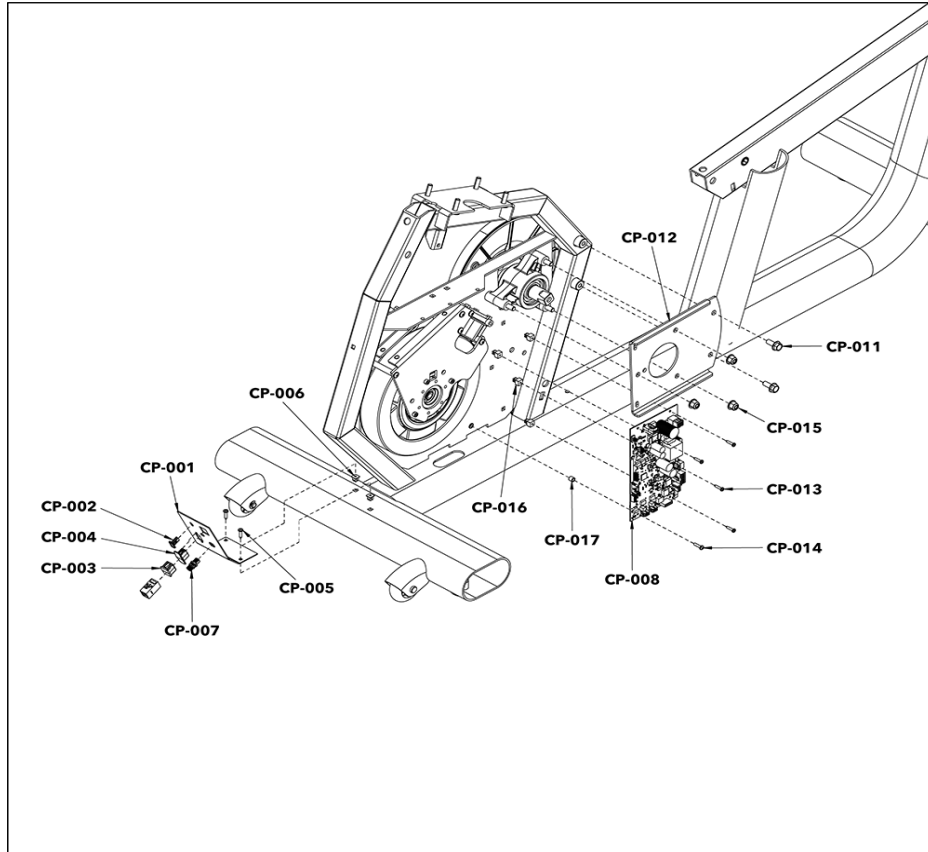
Ref #	Part Number	Qty	Description
-	LEGEND_DESCRIP TION	1	LEGEND DESCRIPTION

Battery



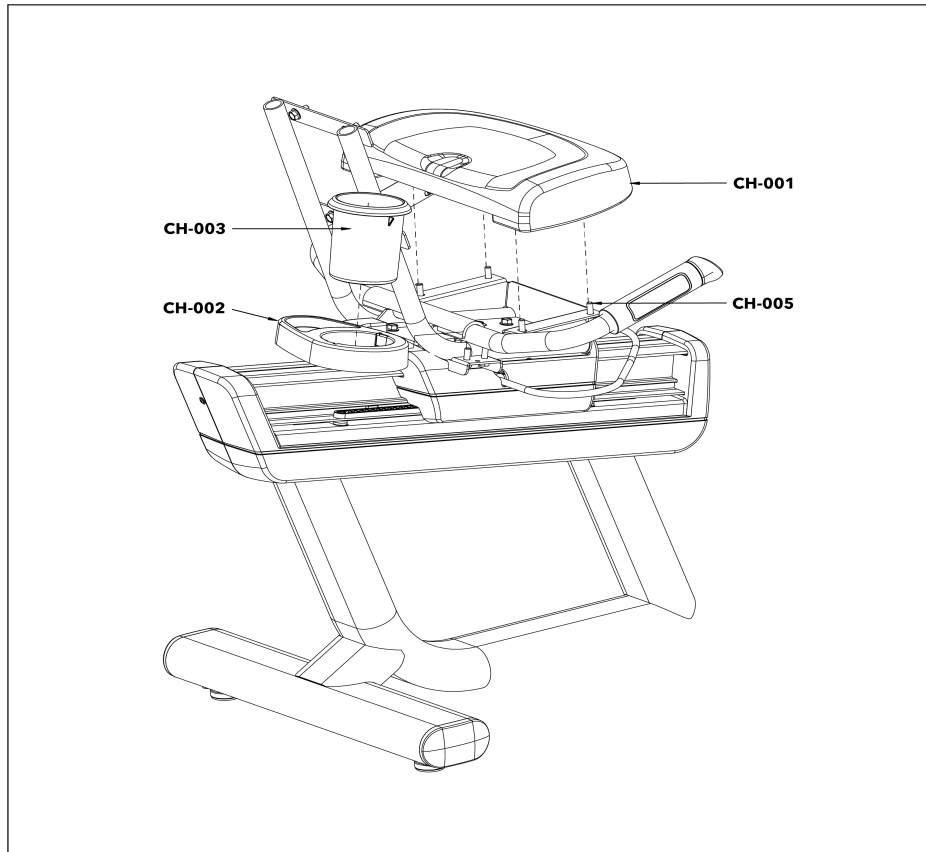
Ref #	Part Number	Qty	Description
BA-001	0017-00003-0685	1	BATTERY: 6 VOLT, 2.5AH C (0819-1006)
BA-002	0017-00101-1796	2	SCREW: M4.2 X 0.7 6G6G X 19, DIN, PHL, PAN, AB, ST, ZB
BA-003	0017-00042-1147	2	GROMMET: SCREW, 8 OR 10

Communication Port, Plugs, and PCB Assembly



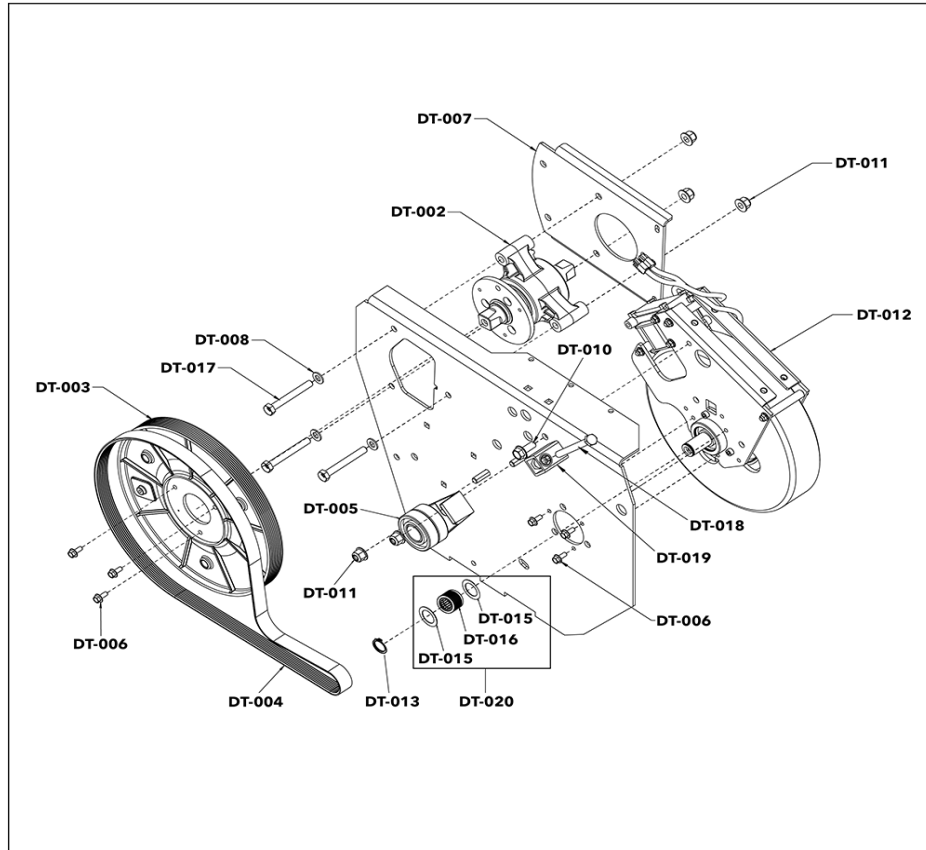
Ref #	Part Number	Qty	Description
CP-001	1001773-0001	1	BRACKET: COM-PORT, RECUMBENT
CP-002	1005470-0700	1	PLUG: IR PORT, BLACK
CP-003	1004601-0001	1	PLUG: RJ45 RECEPTACLE
CP-004	1005393-0700	1	PLUG: HDMI, BLACK
CP-005	0017-00101-1796	2	SCREW: M4.2 X 0.7 6G6G X 19, DIN, PHL, PAN, AB, ST, ZB
CP-006	0017-00042-1147	2	GROMMET: SCREW, 8 OR 10
CP-007	0017-00021-2846	1	CONNECTOR: COAX, PANEL MOUNT
CP-008	1015538-0011	1	PCB ASSY: RCB MCFLY
CP-011	0017-00101-2150	2	SCREW: M8 X 1.25 6G6H X 20, UHS, HXW, CS, ST, ZB
CP-012	1012890-0001	1	BRACKET: HUB BACKING
CP-013	0017-00101-1838	4	SCREW: M3.5 X 1.3 6G6G X 19, PHL, PAN, AB, ST, ZN
CP-014	0017-00101-1874	1	SCREW: M4 X 0.70-6G6G X 16, ISO, PHL, PAN, MS, ST, ZN
CP-015	1003388-0001	3	NUT: M8 X 1.25-6H, DIN, UNF, HEX, LOCKNUT
CP-016	0017-00042-0821	4	GROMMET: SCREW, #6
CP-017	1013169-0001	1	SPACER: M5.3 X 8 X 7, ALUMINUM

Cup Holders and Seat Bottom



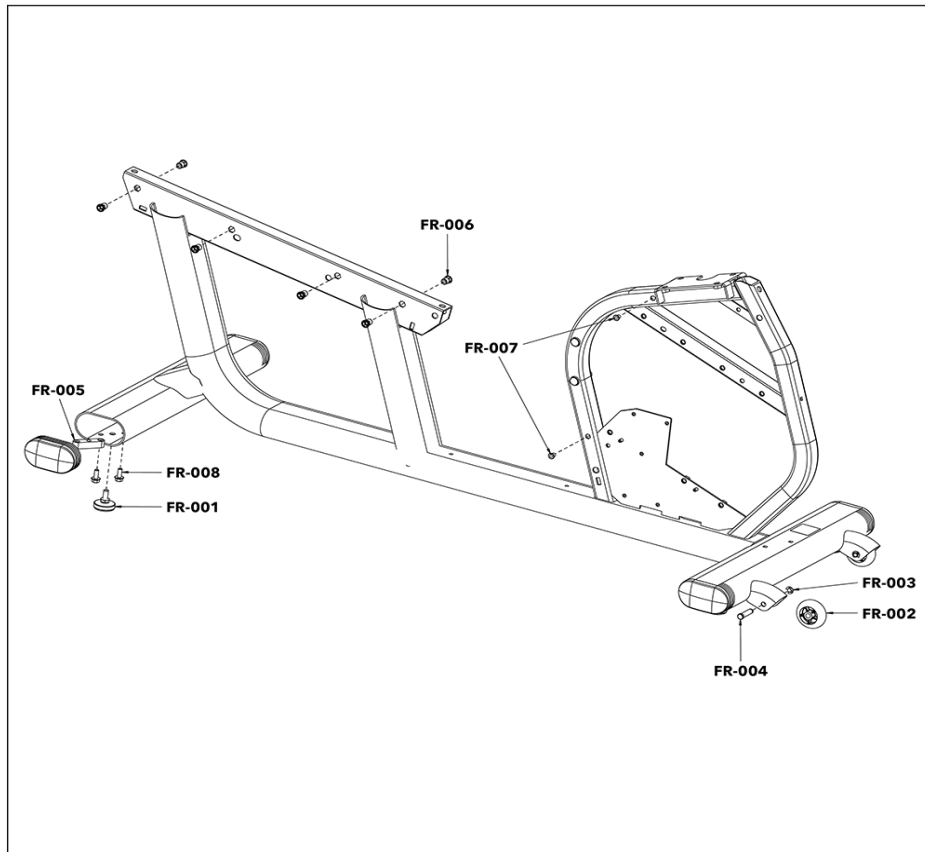
Ref #	Part Number	Qty	Description
CH-001	1005010-0700	1	SEAT: RECUMBENT BOTTOM, BLACK
CH-002	1002626-2400	1	SHROUD: CUP HOLDER, RETAINER, RIGHT, CHARCOAL GRAY
CH-003	1001034-2400	2	CUPHOLDER: LOCKING, CHARCOAL GRAY
CH-005	0017-00101-2150	8	SCREW: M8 X 1.25 6G6H X 20, UHS, HXW, CS, ST, ZB

Drivetrain



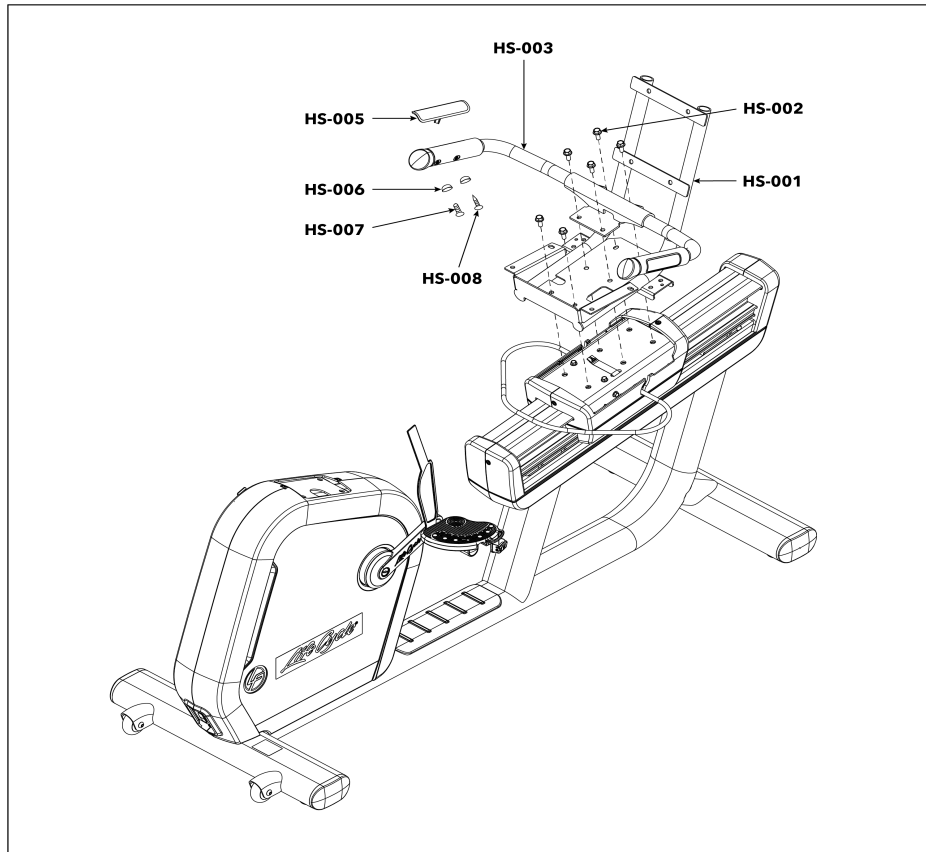
Ref #	Part Number	Qty	Description
DT-002	AK66-00151-0000	1	HUB ASSY: CRANKSHAFT, UNIPLATE
DT-003	1004280-0001	1	PULLEY: POLYV,J SECTION, 276MM PD
DT-004	1004288-0001	1	BELT: POLY V 460J8
DT-005	1017347-0001	1	ASSEMBLY: TENSIONER, IDLER
DT-006	0017-00101-2151	6	SCREW: M5 X 0.8 6G6G X 12, FLANGE, HEAD, CS, G5, CD
DT-007	1012890-0001	1	BRACKET: HUB BACKING
DT-008	0017-00104-0469	3	WASHER: M8.4 X 16.0 X 1.6, DIN, FLAT, ST, ZB
DT-010	0017-00101-2150	1	SCREW: M8 X 1.25 6G6H X 20, UHS, HXW, CS, ST, ZB
DT-011	1003388-0001	3	NUT: M8 X 1.25-6H, DIN, UNF, HEX, LOCKNUT
DT-012	1014174-0001	1	GENERATOR: BRAKE W/20MM EXT. CLUTCH
DT-013	0017-00100-0242	1	RING: M19.84, RETAINING, ST, 5101-98
DT-017	1013510-0001	3	SCREW: M8 X 1.25 - 6g X 65, HEX, ZN, CLASS 10.9
DT-018	0017-00101-1944	1	M8.0X1.25- 6G6GX80MM DIN UNS HEX CS G5 CD
DT-019	0017-00009-1191	1	INSERT: M8 X 6.6, THREADED, HEX
DT-020	1015424-0001	1	KIT: CLUTCH & SHEAVE, 20MM

Front Roller and Leg Levelers



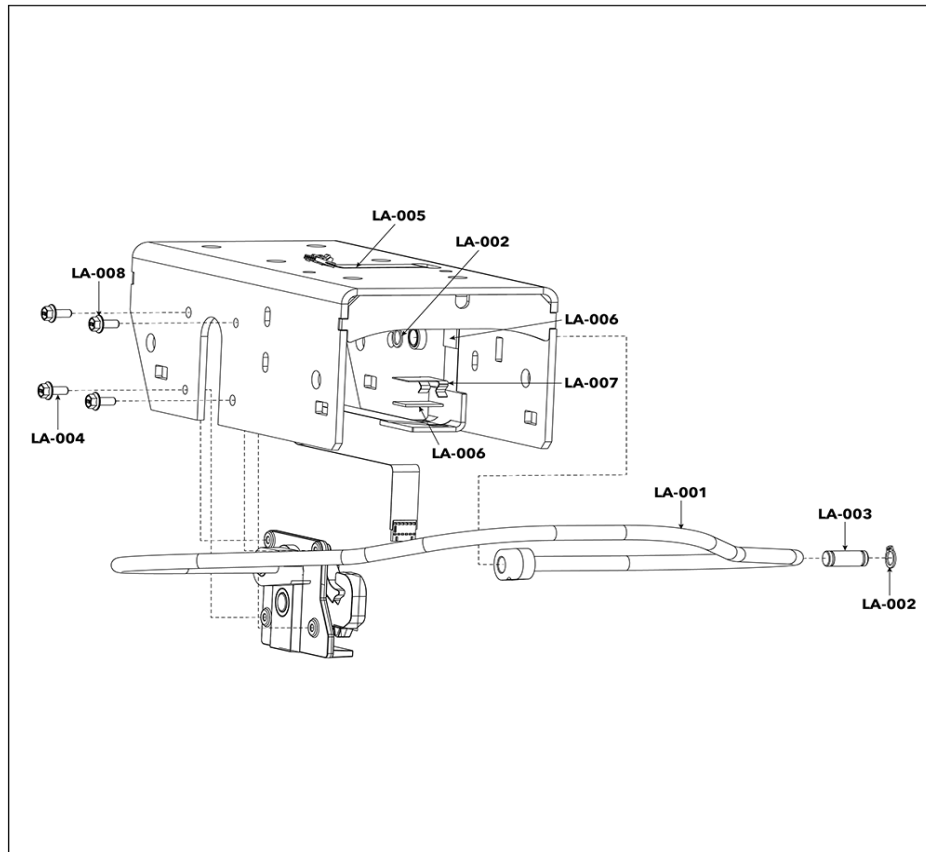
Ref #	Part Number	Qty	Description
FR-001	AK62-00124-0000	4	LEVELER: LEG, ASSEMBLY
FR-002	1010977-0001	2	WHEEL: NON-TREAD
FR-003	1011049-0001	2	RING: M10, E-RING, ST
FR-004	1011048-0001	2	CLEVIS PIN: 10mm O.D.
FR-005	1001040-0001	4	BLOCK: LEVELER
FR-006	0017-00009-1191	6	INSERT: M8 X 6.6, THREADED, HEX
FR-007	0017-00009-1259	2	INSERT: M6 X 5, THREADED, HEX
FR-008	0017-00101-2150	8	SCREW: M8 X 1.25 6G6H X 20, UHS, HXW, CS, ST, ZB

Handlebars and Seat Mount Weldment



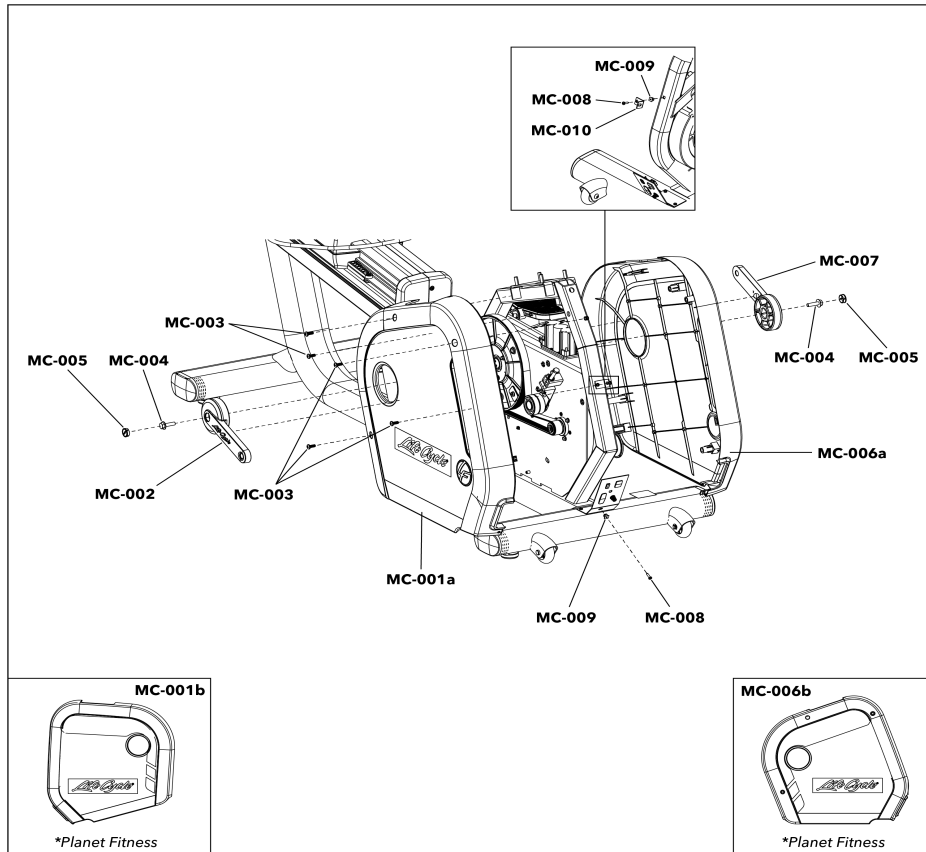
Ref #	Part Number	Qty	Description
HS-001	1004307-7400	1	WELDMENT: ASSEMBLY, SEAT MOUNT, CHARCOAL GRAY
HS-002	0017-00101-2150	6	SCREW: M8 X 1.25 6G6H X 20, UHS, HXW, CS, ST, ZB
HS-003	1005425-0001	1	ASSEMBLY: HANDLEBARS, RECUMBENT, SIMPLE
HS-005	AK63-00014-2404	1	ELECTRODE: INSERT MOLDED; CHGR
HS-006	0K66-01141-0001	1	PLUG: INSULATOR, BLACK
HS-007	1016676-0001	1	SCREW: 6-12 X .75, PHL, PAN, ST, ZB
HS-008	0017-00101-1720	1	SCREW: 6-19 X 16, PHL, PAN, HLS, ST, ZN

Lift Assembly



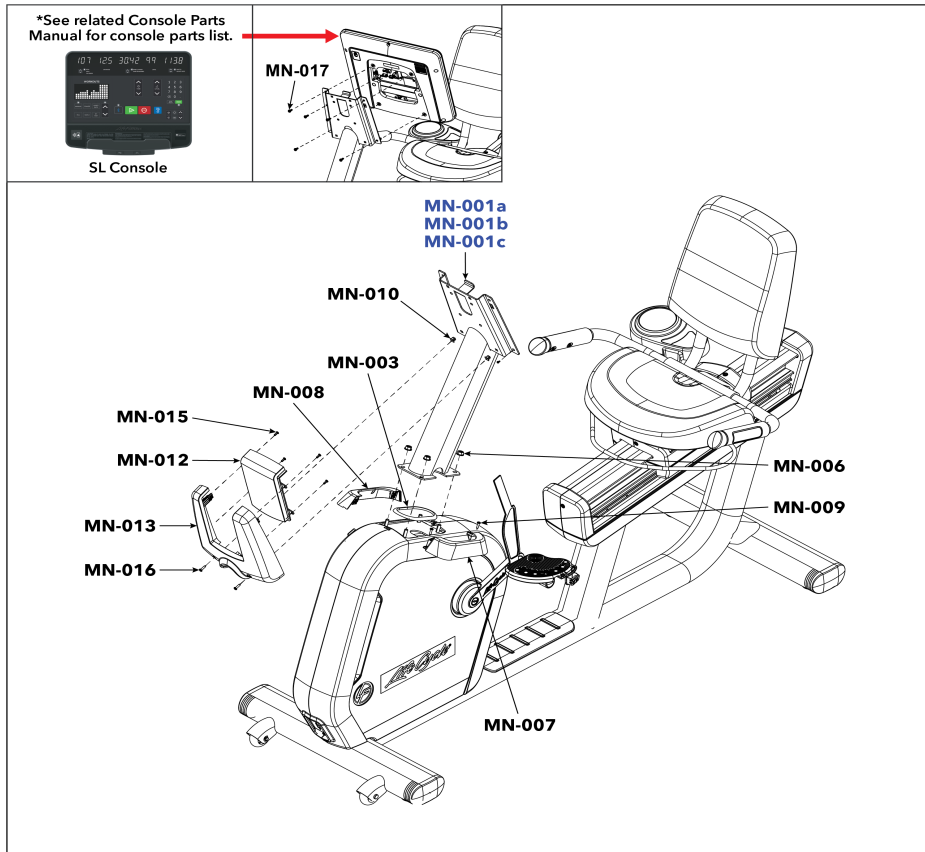
Ref #	Part Number	Qty	Description
LA-001	1003385-0001	1	ASSEMBLY: LATCH MODULE
LA-002	0017-00100-0253	2	RING: M10, RETAINING, EXT, ST
LA-003	1002895-0001	1	SHAFT: PIVOT
LA-004	0017-00101-2151	3	SCREW: M5 X 0.8 6G6G X 12, FLANGE, HEAD, CS, G5, CD
LA-005	1002806-0001	1	CABLE ASSY: FLAT-FLEX
LA-006	1005361-0001	1	ADHESIVE: DOUBLE-SIDED TAPE
LA-007	1003369-0001	1	CLIP: FLAT-FLEX CABLE
LA-008	1007389-0001	1	SCREW: M5 X 0.8 X 12, DIN, HXS, SOC, CS, ST, BO

Main Shrouds and Crank Arms



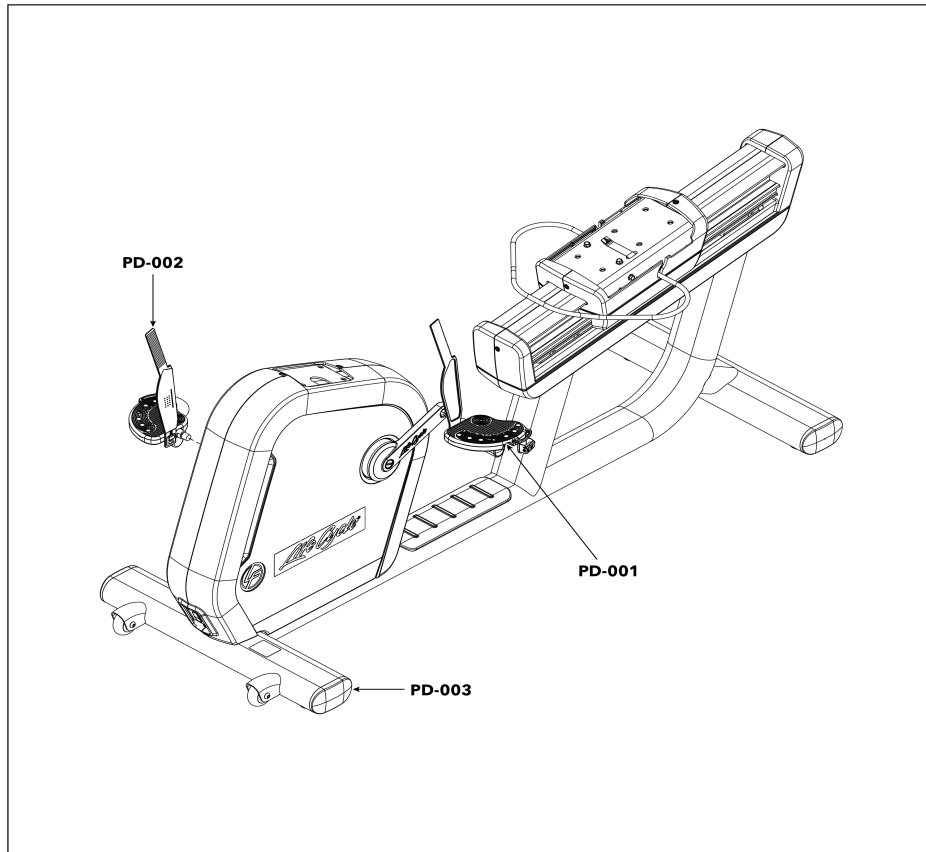
Ref #	Part Number	Qty	Description
MC-001b	1012971-0001	1	ASSEMBLY: SHROUD W/DECAL, MAIN, RIGHT, RECUMBENT, PLANET
MC-001a	1012969-0001	1	ASSEMBLY: SHROUD W/DECAL, MAIN, RIGHT, RECUMBENT
MC-002	0K76-01054-0000	1	CRANK ARM: RIGHT
MC-003	0017-00101-2138	5	SCREW: M6 X 1.0 X 16, DIN, PHL, PAN, MS, ST, ZB
MC-004	0017-00101-2077	2	SCREW: M8 X 1.0 6G6H X 30, UNS, HXW, CS, ST, ZS
MC-005	0K66-01121-2400	2	CAP: CRANK, CHARCOAL GRAY
MC-006a	1012968-0001	1	ASSEMBLY: SHROUD W/DECAL, MAIN, LEFT, RECUMBENT
MC-006b	1012970-0001	1	ASSEMBLY: SHROUD W/DECAL, MAIN, LEFT, PLANET
MC-007	0K76-01053-0000	1	CRANK ARM: LEFT
MC-008	0017-00101-1796	2	SCREW: M4.2 X 0.7 6G6G X 19, DIN, PHL, PAN, AB, ST, ZB
MC-009	0017-00042-1147	2	GROMMET: SCREW, 8 OR 10
MC-010	1002971-0001	1	BRACKET: SHROUD CLIP

Monocolumn



Ref #	Part Number	Qty	Description
MN-001b	1000670-5300	1	WELDMENT: MONOCOLUMN, RECUMBENT, SIMPLE, SMOOTH CHARCOAL GRAY ROBUST
MN-001a	1000670-5100	1	WELDMENT: MONOCOLUMN, RECUMBENT, SIMPLE, ARCTIC SILVER ROBUST
MN-001c	1012972-0001	1	ASSEMBLY: MONOCOLUMN W/DECAL, RECUMBENT, PLANET
MN-003	1003232-0700	1	GASKET: MONOCOLUMN, BLACK
MN-006	1013499-0001	4	NUT: M8 X 1.25-6H, HEX, LOCK, ZINC, CLASS 10
MN-007	1002615-2400	1	SHROUD: MONOCOLUMN, LEFT, CHARCOAL GRAY
MN-008	1002616-2400	1	SHROUD ASSY: MONOCOLUMN, RIGHT, CHARCOAL GRAY
MN-009, MN-016	0017-00101-1796	4	SCREW: M4.2 X 0.7 6G6G X 19, DIN, PHL, PAN, AB, ST, ZB
MN-010	0017-00042-1147	4	GROMMET: SCREW, 8 OR 10
MN-012	1012962-0001	1	ASSEMBLY: REAR SHROUD W/DECAL, FILLER, CHGR
MN-013	1002625-2400	1	SHROUD ASSY: CONSOLE BACK, CHARCOAL GRAY
MN-015	0017-00101-1650	4	SCREW: 6-19 X 6, PHL, PAN, PLT, ST, ZB, VMI
MN-017	0017-00101-1940	5	SCREW: M5 X 0.8 X 14, PHL, PAN, MS, ST, ZN

Pedals and Miscellaneous



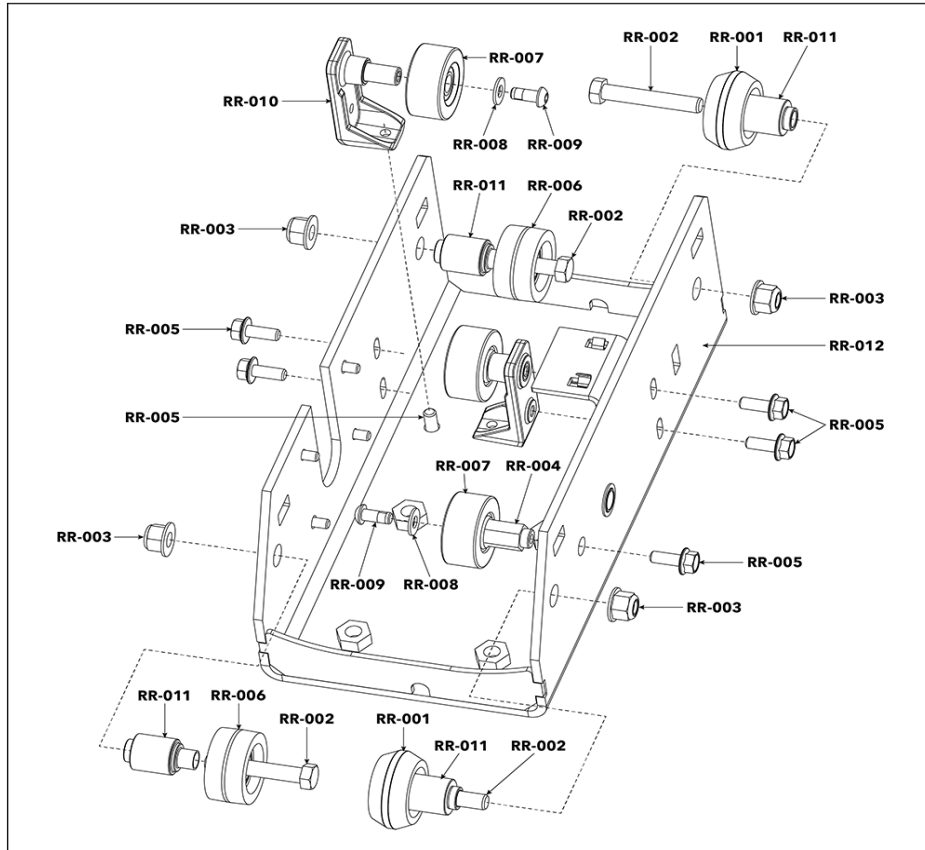
Ref #	Part Number	Qty	Description
PD-001	1006920-0001	1	ASSEMBLY: PEDAL, LIFECYCLE, LEFT
PD-002	1006921-0001	1	ASSEMBLY: PEDAL, LIFECYCLE, RIGHT
PD-003	1002166-0700	4	ENDCAP: LARGE FLOV, BLACK

Power Cords

LC-001		
LC-002		
LC-003		
LC-004		
LC-005		
LC-006		

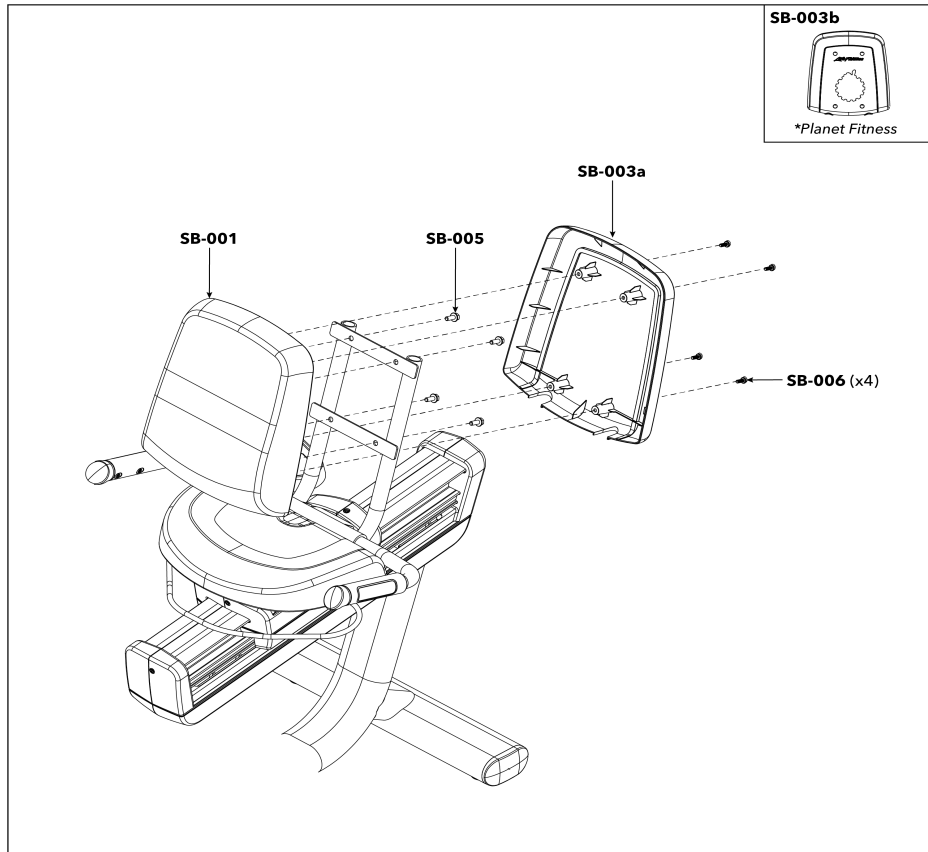
Ref #	Part Number	Qty	Description
LC-001	0017-00003-0691	1	LINE-CORD: CON 10A 250V B
LC-002	0017-00003-0704	1	LINE-CORD: DOM. 10A 125V B
LC-003	0017-00003-0889	1	LINE-CORD: 10A; U.K B
LC-004	0017-00003-0918	1	LINE-CORD: AUSTRALIA B
LC-005	0017-00003-1053	1	LINE-CORD: BRAZIL, IEC-C13
LC-006	0017-00003-1067	1	LINE-CORD: ARGENTINA, IRAM 2073, IEC-C13

Roller



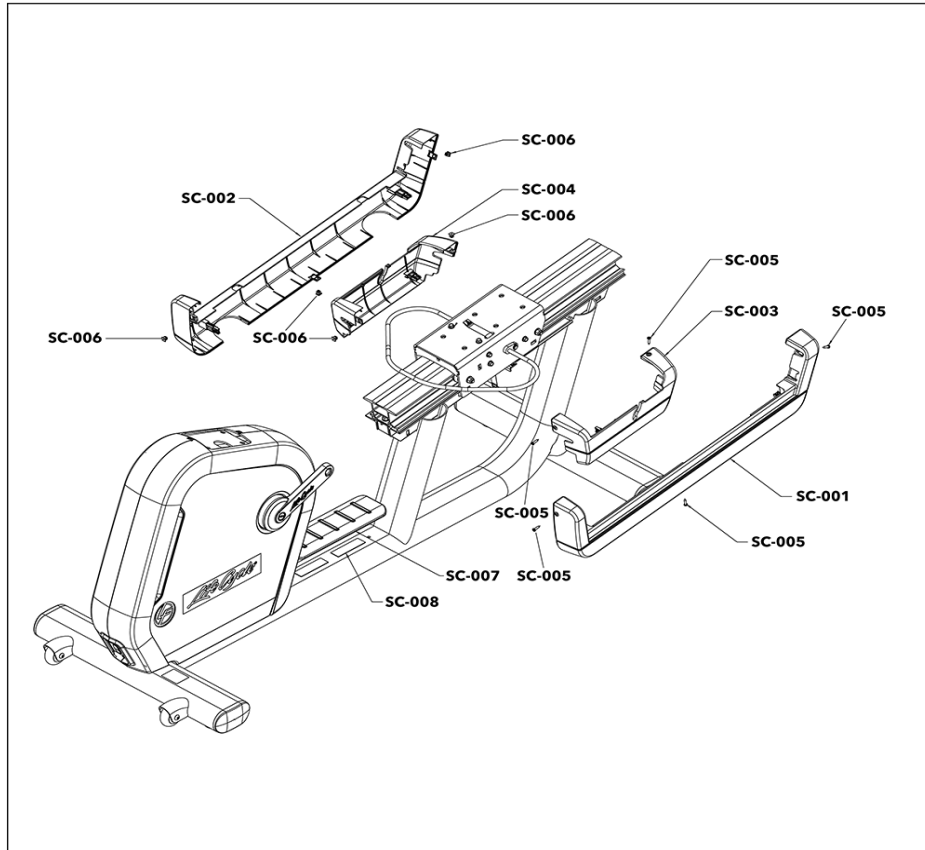
Ref #	Part Number	Qty	Description
RR-001	0K51-01034-0001	2	ROLLER: SEAT, RIGHT SIDE
RR-002	0017-00101-2037	4	SCR:M8 X 1.25 X 50 HEX
RR-003	1003388-0001	4	NUT: M8 X 1.25-6H, DIN, UNF, HEX, LOCKNUT
RR-004	1003788-0001	1	SHAFT: TENSION ROLLER
RR-005	1003368-0001	6	SCREW: M6 X 1.0 X 16, DIN, UNS, HXW, CS, ST, ZB
RR-006	1003365-0001	2	ROLLER: SEAT, LEFT SIDE
RR-007	0K19-01130-0000	3	ROLLER: PRELOAD
RR-008	0017-00104-0072	3	WASHER: 0.255 X 0.562 X 0.046, FLAT, ST, ZN
RR-009	0017-00101-2014	3	SCREW: M6 X 1-6G6H X 14, DIN, HEX, BUT, L, ST, ZB
RR-010	1003371-0001	1	ASSEMBLY: ROLLER TENSIONER
RR-011	1003366-0001	4	HUB: ROLLER
RR-012	1005420-0001	1	ASSEMBLY: SEAT CARRIAGE, RECUMBENT

Seat Back



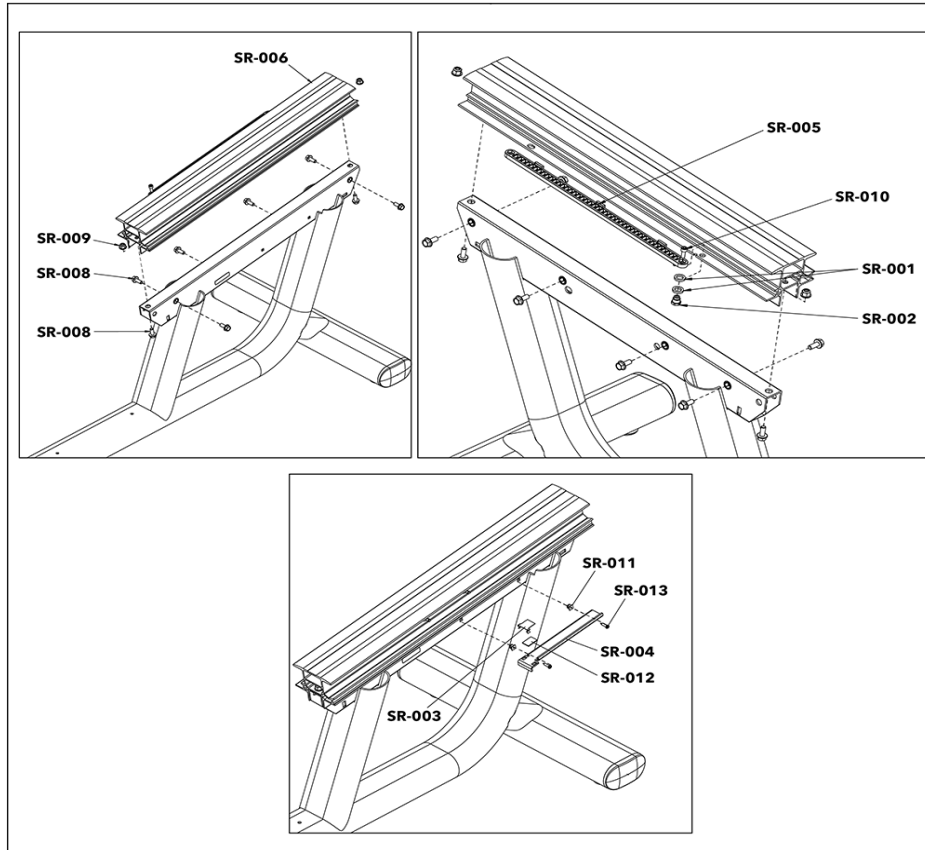
Ref #	Part Number	Qty	Description
SB-001	1003836-0700	1	SEAT: RECUMBENT, BACK, SIMPLE, BLACK
SB-003b	1012973-0001	1	ASSEMBLY: SHROUD W/DECAL, SEAT BACK, PLANET
SB-003a	1003506-2400	1	SHROUD: SEAT BACK, SIMPLE, CHGR
SB-005	0017-00101-2150	4	SCREW: M8 X 1.25 6G6H X 20, UHS, HXW, CS, ST, ZB
SB-006	0017-00101-2138	5	SCREW: M6 X 1.0 X 16, DIN, PHL, PAN, MS, ST, ZB

Seat Carriage



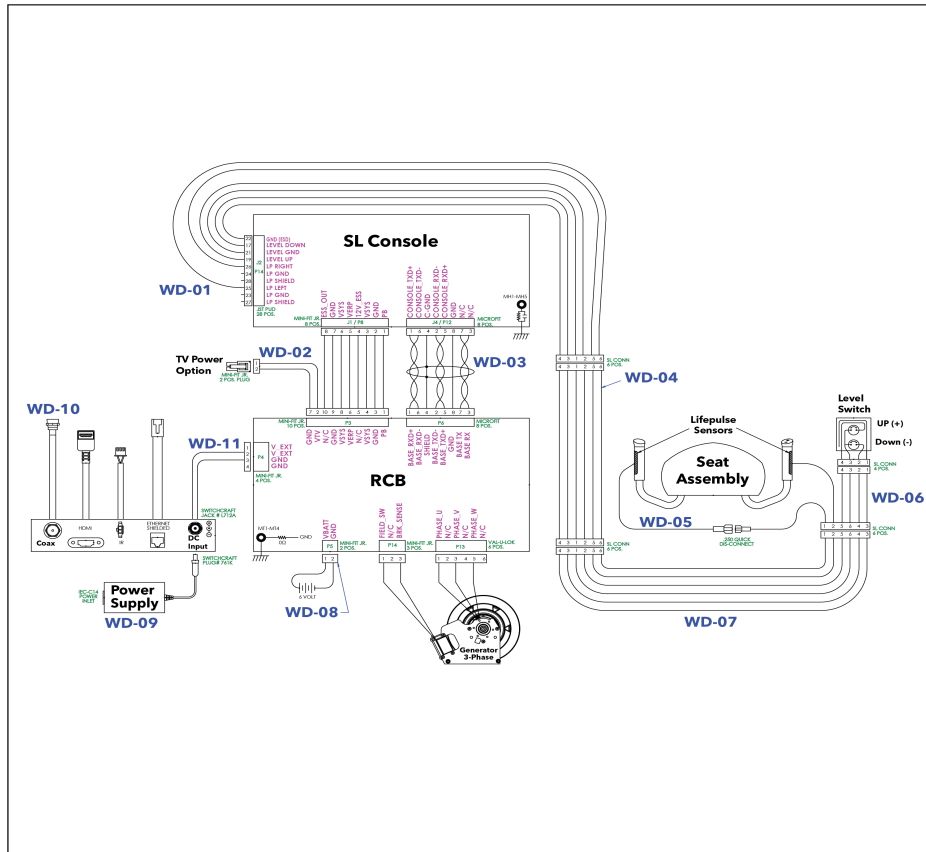
Ref #	Part Number	Qty	Description
SC-001	1002619-2400	1	SHROUD: SEAT RAIL, LEFT, CHARCOAL GRAY
SC-002	1002620-2400	1	SHROUD: SEAT RAIL, RIGHT, CHARCOAL GRAY
SC-003	1002622-2400	1	SHROUD: SEAT CARRIAGE, LEFT, CHARCOAL GRAY
SC-004	1002623-2400	1	SHROUD: SEAT CARRIAGE, RIGHT, CHARCOAL GRAY
SC-005	0017-00101-1796	5	SCREW: M4.2 X 0.7 6G6G X 19, DIN, PHL, PAN, AB, ST, ZB
SC-006	0017-00042-1147	5	GROMMET: SCREW, 8 OR 10
SC-007	1002617-2400	1	SHROUD: BASE, TUBE, RECUMBENT, CHARCOAL GRAY
SC-008	0K61-04115-0002	2	TAPE: ADHESIVE, 3.5 LG.

Seat Rail



Ref #	Part Number	Qty	Description
SR-001	1003441-0001	4	O-RING: 1/2ID X 3/4OD X 1/8SQ
SR-002	1003440-0001	2	HUB: STOP
SR-003	1003369-0001	2	CLIP: FLAT-FLEX CABLE
SR-004	1011216-0001	1	BRACKET: PLASTIC WIRE TRACK
SR-005	1002027-0001	1	RACK: LOCKING
SR-006	1005515-0001	1	ASSEMBLY: SEAT RAIL W/ DECAL
SR-008	0017-00101-2150	8	SCREW: M8 X 1.25 6G6H X 20, UHS, HXW, CS, ST, ZB
SR-009	1003388-0001	2	NUT: M8 X 1.25-6H, DIN, UNF, HEX, LOCKNUT
SR-010	1005398-0001	2	SCREW: M6 X 1.0 X 16, DIN, HEX, SOC, CS, ST, BO
SR-011	0017-00042-1147	2	GROMMET: SCREW, 8 OR 10
SR-012	1005361-0001	3	ADHESIVE: DOUBLE-SIDED TAPE
SR-013	0017-00101-1796	2	SCREW: M4.2 X 0.7 6G6G X 19, DIN, PHL, PAN, AB, ST, ZB

Wiring Diagram



Ref #	Part Number	Qty	Description
WD-01	1014603-0000	1	CABLE: MCFLY RECUMBENT, BASE INTERFACE
WD-02	1015794-0002	1	CABLE: MCFLY UPRIGHT, RECUMB, CONSOLE TO BASE, POWER
WD-03	1002239-0002	1	CABLE: CONSOLE TO BASE, SIGNAL, 1300MM
WD-04	AK66-00104-0001	1	CABLE ASSY: KEYPAD/LP, RECUMBENT
WD-05	AK66-00101-0000	1	CBL ASSY: HANDLEBAR; RECUMBENT
WD-06	1004202-0001	1	CABLE: RECUMBENT
WD-07	1002806-0001	1	CABLE ASSY: FLAT-FLEX
WD-08	AK69-00106-0002	1	CABLE ASSY: BATTERY, NON-TREADS, 32 INCH
WD-09	1011106-0001	1	POWER SUPPLY: 24VDC, 5A
WD-10	AK65-00062-0000	1	CABLE ASSY: COAX, RG6
WD-11	1003521-0002	1	CABLE: POWER, RCB TO PANEL, 5A, RECUMBENT BIKE

