

PF ASPIRE UPRIGHT BIKE SL MODEL

PF-ASPC-SL-ALLXN-12

Parts Manual

2/6/2024 0:21:16 AM

Table of Contents

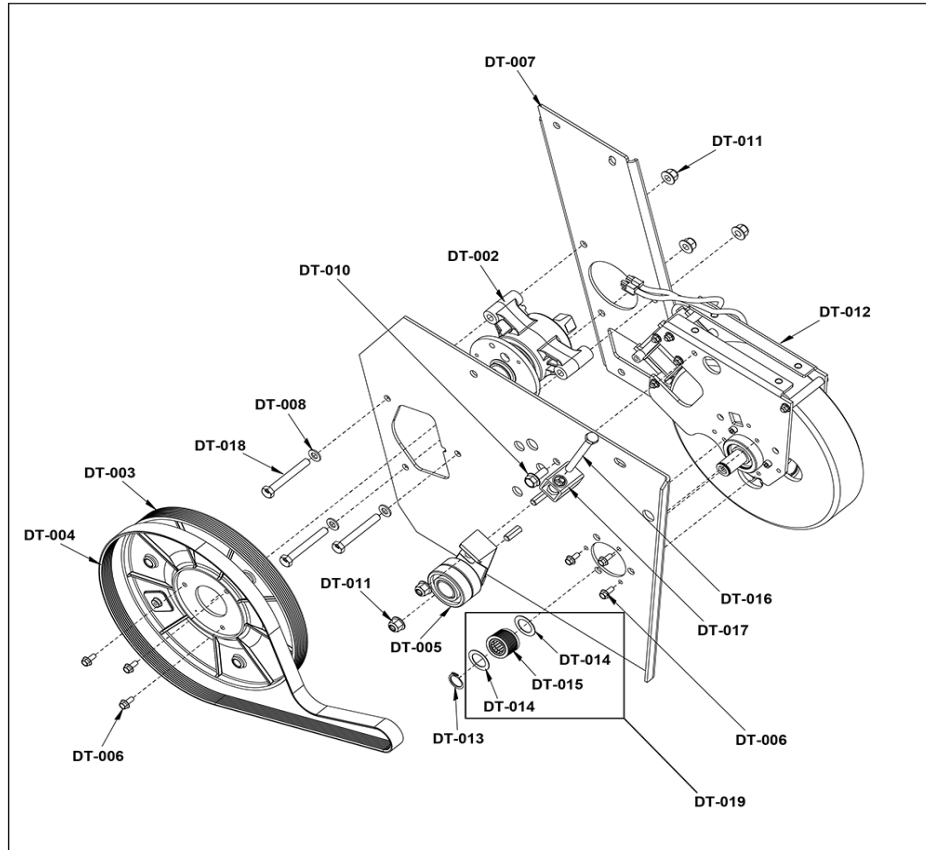
[A Legend Description](#).....3
[Drivetrain](#).....4
[Frame Shrouds \(Left, Right, and Top Cover\)](#).....5
[Handlebars and Activity Zone](#).....6
[Leg Levelers, Front Roller, and PCB Resistance Control](#).....7
[Pedals and Crank Arms](#).....8
[Plugs and Battery](#).....9
[Power Cords](#).....10
[Seat and Seat Post](#).....11
[Upper Shrouds and Monocolumn](#).....12
[Wiring Diagram](#).....13

A Legend Description

| | | | | | | | | | | | |
|---|--|---|---|---|---|--|--|---|---|--|--|
| Integrity Base Finished Good Example: INT-SSL-ASLHM-SW11AR | | | | | | | | | | | |
| IN | T | S | SL | ASL | H | M | SW | 11 | AR | | |
| PRODUCT LINE: Integrity (IN) Club Series Plus (CS) | BASE TYPE: Treadmill (T) Cross-Trainer (X) Recumbent Bike (R) Upright Bike (C) | STYLE: Simple (S) Deluxe (D) | CONSOLE CAPABILITY: Integrity SL (SL) Entertainment (E) Discover ST or SE3HD | COLOR: Arctic Silver (ASL) Titanium (TTN) Black (BLK) Diamond White (DWT) | VOLTAGE: High (H) Low (L) | GENERATION: McFly (M) Legacy (X) | SERVICE WHEEL | REVISION | LANGUAGE: Arabic (AR) English unless other language specified | | |
| Integrity Base Finished Good Example: INT-SST-ALLXX-11 | | | | | LF Arc Base Finished Good Example: INTLS-ALLXX-7101 | | | | | | |
| IN | T | S | ST | ALL | X | 11 | IN | TLS | ALL | XX | 7101 |
| PRODUCT LINE: Integrity (IN) Club Series Plus (CS) | BASE TYPE: Treadmill (T) Cross-Trainer (X) Recumbent Bike (R) | STYLE: Simple (S) Deluxe (D) | CONSOLE CAPABILITY: Discover ST (ST) Integrity SL (SL) | LANGUAGE: All Languages (ALL) | VERSION: McFly (M) Legacy (X) | REVISION | PRODUCT LINE: Integrity (IN) | BASE TYPE: Advanced Base (AT) Basic Base (TS) Total Body (TS) Lower Body (LS) | STANDARD: No High or low voltage | CONSOLE CAPABILITY: Integrity C/A (CX) Discover SE3HD/ST (XX) Integrity SL (XM) | COLOR: Diamond White (7101) Titanium Storm (7201) Arctic Silver (5101) Black Onyx (7301) PF Purple (5801) |
| Integrity Item Description Example: ARB INT TREAD SIMPLE SL ARC SIL HIGH VT SW BASE UK | | | | | | | | | | | |
| ARB | INT | TREAD | SIMPLE | SL | ARC SIL | HIGH VT | SW | BASE | UK | | |
| LANGUAGE: Arabic (ARB) English unless other language specified | PRODUCT LINE: Integrity (INT) Club Series Plus (CS) | BASE TYPE: Treadmill (TREAD) Cross-Trainer (X / TT) Recumbent Bike (R / RB) Upright Bike (C / UB) | STYLE: Simple (S) Deluxe (DLX) | CONSOLE CAPABILITY: Integrity SL (SL) Discover ST or Discover SE3HD (DSC) | COLOR: Arctic Silver (ARC SIL) Titanium (TTN) Black (BLK) Diamond White (DIA WHT) | VOLTAGE: High (High VT) Low (Low VT) | SERVICE WHEEL | PRODUCT TYPE: Base | LINE CORD: UK High Voltage (UK) Argentina (ARG) Domestic Low Voltage (DLV) | | |
| Aspire Base Finished Good Example: ASPT-ASLLN-12 | | | | | | SL Console Finished Good Example: SLA-CNSL-ENG-01 | | | | | |
| ASP | T | ASL | L | N | 12 | SL | A | CNSL | ENG | 01 | |
| PRODUCT LINE: Aspire (ASP) | BASE TYPE: Treadmill (T) Cross-Trainer (X) Upright Bike (C) Recumbent Bike (R) | COLOR: Arctic Silver (ASL) Charcoal (CGC) | VOLTAGE: Low (L) High (H) | VERSION: Neo (N) | REVISION | CONSOLE TYPE: Integrity SL (SL) | BASE TYPE: Arc (A) Tread (T) PowerBike (P) Cross-Trainer / Bikes (XB) | Console (CNSL) | LANGUAGE: Three character language abbreviation | REVISION | |
| SE4 Console Finished Good Example: SE424T-EWXXP-01 | | | | | | | | | | | |
| SE4 | 24 | T | E | W | X | X | P | 01 | | | |
| CONSOLE TYPE: Discover SE4 (SE4) | CONSOLE SIZE: 24 16 | BASE TYPE: Tread (T) Non Tread (N) | LANGUAGE (Warning Label) English (E) All (A) | WIFI ENABLED: Wifi Enabled (W) | NFC or RFD: NFC (X) RFD (R) | PLACEHOLDER | TUNER TYPE: PROIDIOM/DAM (P) DVBT2/DVB/C/DVBS/PAL/SECAM (D) ISBT/ATSC (S) STB/SYNC (I) ATSC/DAM/NTSC (A) (on SE4/SE3HD/ST only) PROIDIOM OVER ETHERNET (E) (on SE4 only) | REVISION | | | |

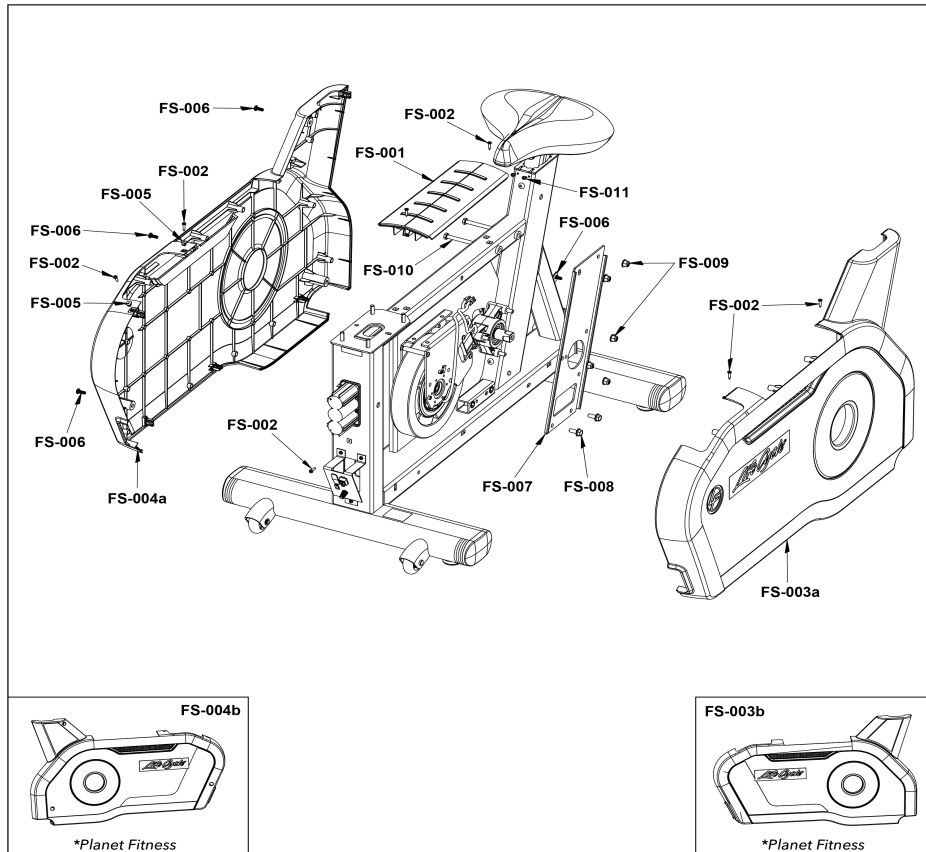
| Ref # | Part Number | Qty | Description |
|-------|------------------------|-----|--------------------|
| - | LEGEND_DESCRIP TION | 1 | LEGEND DESCRIPTION |

Drivetrain



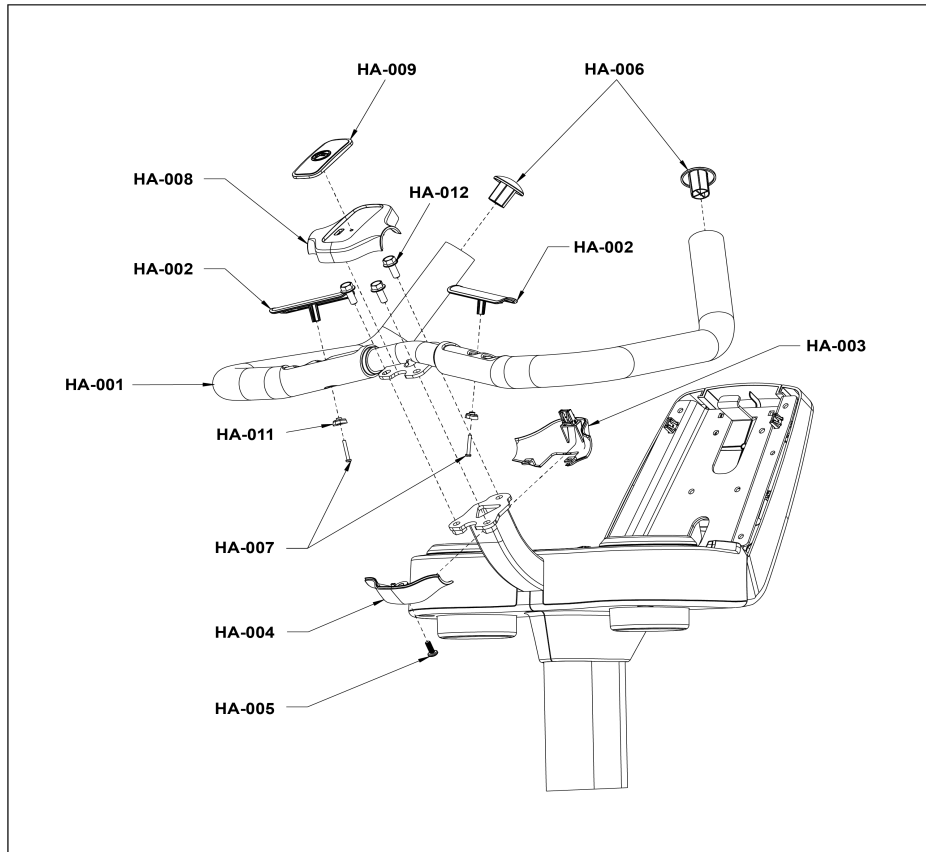
| Ref # | Part Number | Qty | Description |
|--------|-----------------|-----|---|
| DT-002 | AK66-00151-0000 | 1 | HUB ASSY: CRANKSHAFT, UNIPLATE |
| DT-003 | 1004280-0001 | 1 | PULLEY: POLYV,J SECTION, 276MM PD |
| DT-004 | 1004288-0001 | 1 | BELT: POLY V 460J8 |
| DT-005 | 1017347-0001 | 1 | ASSEMBLY: TENSIONER, IDLER |
| DT-006 | 0017-00101-2151 | 6 | SCREW: M5 X 0.8 6G6G X 12, FLANGE, HEAD, CS, G5, CD |
| DT-007 | 1012903-0001 | 1 | SHEET METAL: HUB SUPPORT |
| DT-008 | 0017-00104-0469 | 3 | WASHER: M8.4 X 16.0 X 1.6, DIN, FLAT, ST, ZB |
| DT-010 | 0017-00101-2150 | 1 | SCREW: M8 X 1.25 6G6H X 20, UHS, HXW, CS, ST, ZB |
| DT-011 | 1003388-0001 | 5 | NUT: M8 X 1.25-6H, DIN, UNF, HEX, LOCKNUT |
| DT-012 | 1014174-0001 | 1 | GENERATOR: BRAKE W/20MM EXT. CLUTCH |
| DT-013 | 0017-00100-0242 | 1 | RING: M19.84, RETAINING, ST, 5101-98 |
| DT-016 | 0017-00101-1944 | 1 | M8.0X1.25- 6G6GX80MM DIN UNS HEX CS G5 CD |
| DT-017 | 0017-00009-1191 | 1 | INSERT: M8 X 6.6, THREADED, HEX |
| DT-018 | 1013510-0001 | 3 | SCREW: M8 X 1.25 - 6g X 65, HEX, ZN, CLASS 10.9 |
| DT-019 | 1015424-0001 | 1 | KIT: CLUTCH & SHEAVE, 20MM |

Frame Shrouds (Left, Right, and Top Cover)



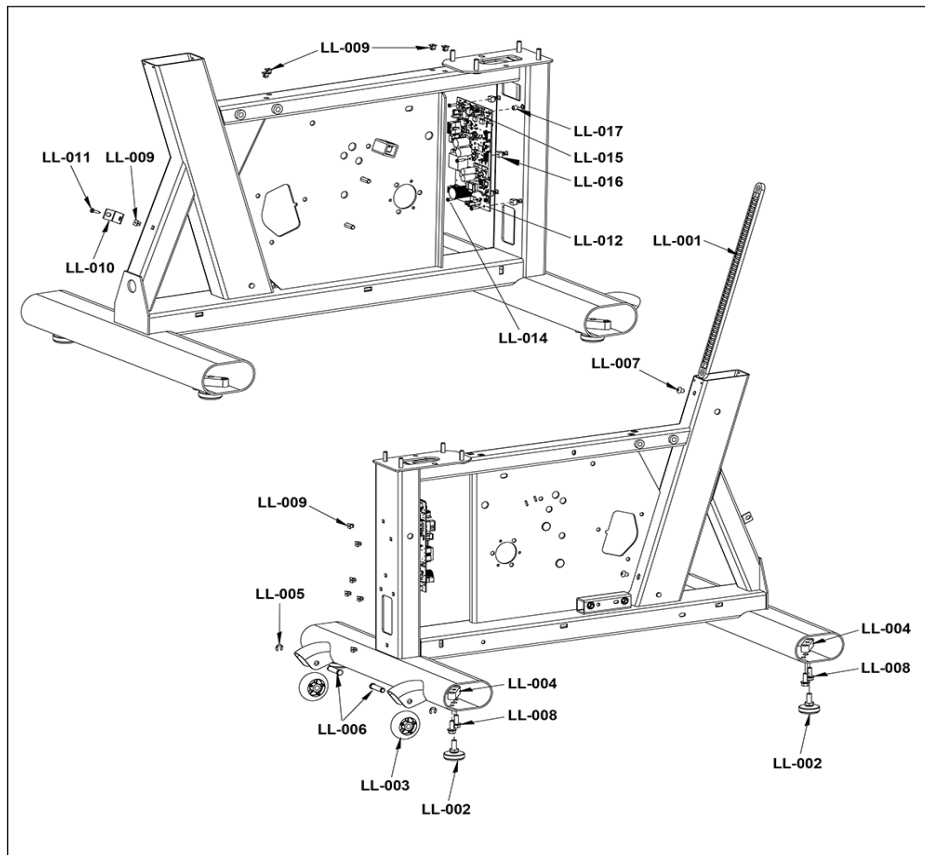
| Ref # | Part Number | Qty | Description |
|---------|-----------------|-----|--|
| FS-001 | 1001595-0700 | 1 | SHROUD: TOP COVER, BLACK |
| FS-002 | 0017-00101-1796 | 7 | SCREW: M4.2 X 0.7 6G6G X 19, DIN, PHL, PAN, AB, ST, ZB |
| FS-003b | 1012964-0001 | 1 | ASSEMBLY: SHROUD W/DECAL, MAIN, LEFT, CHGR, UPRIGHT, PLANET |
| FS-003a | 1012960-0001 | 1 | ASSEMBLY: SHROUD W/DECAL, MAIN, LEFT, CHGR |
| FS-004a | 1012961-0001 | 1 | ASSEMBLY: SHROUD W/DECAL, MAIN, RIGHT, CHGR |
| FS-004b | 1012965-0001 | 1 | ASSEMBLY: SHROUD W/DECAL, MAIN, RIGHT, CHGR, UPRIGHT, PLANET |
| FS-005 | 0017-00042-1147 | 2 | GROMMET: SCREW, 8 OR 10 |
| FS-006 | 0017-00101-2138 | 4 | SCREW: M6 X 1.0 X 16, DIN, PHL, PAN, MS, ST, ZB |
| FS-007 | 1012903-0001 | 1 | SHEET METAL: HUB SUPPORT |
| FS-008 | 0017-00101-2150 | 2 | SCREW: M8 X 1.25 6G6H X 20, UHS, HXW, CS, ST, ZB |
| FS-009 | 1003388-0001 | 5 | NUT: M8 X 1.25-6H, DIN, UNF, HEX, LOCKNUT |
| FS-010 | 0017-00101-1944 | 2 | M8.0X1.25- 6G6GX80MM DIN UNS HEX CS G5 CD |
| FS-011 | 0017-00101-1968 | 4 | SCREW: M4 X 0.7 X 10, PHL, PAN, TT, ST, ZS |

Handlebars and Activity Zone



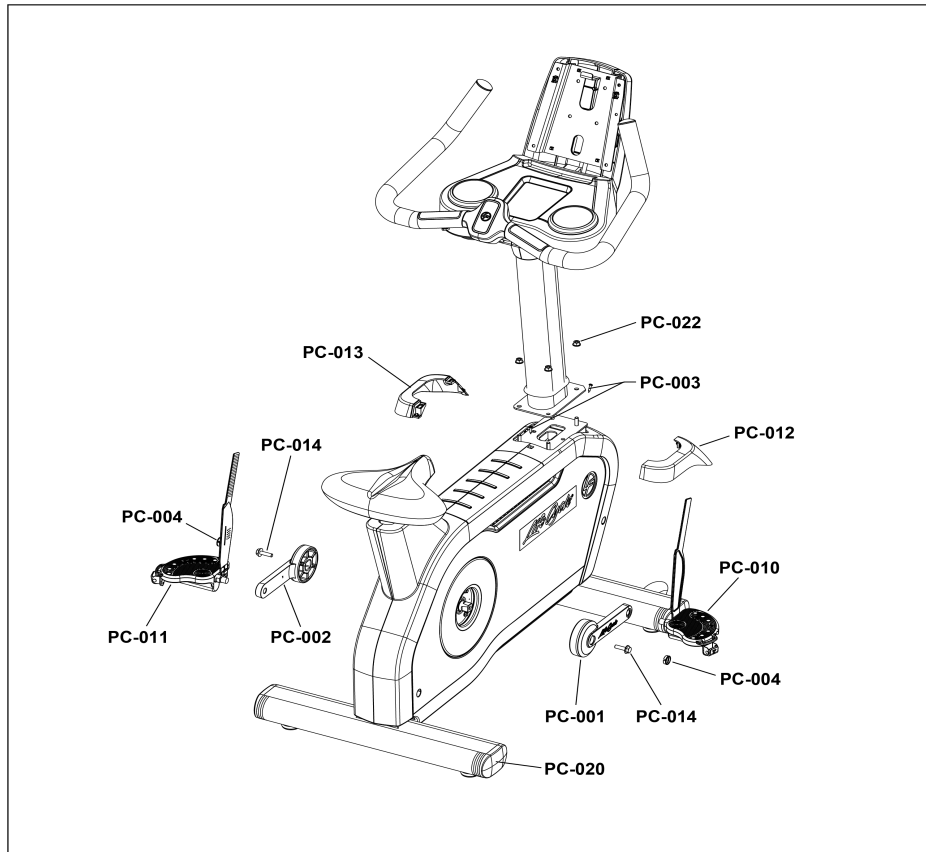
| Ref # | Part Number | Qty | Description |
|--------|-----------------|-----|--|
| HA-001 | 1001562-0700 | 1 | HANDLEBAR: UPRIGHT, SIMPLE, BLACK |
| HA-002 | AK63-00014-2404 | 2 | ELECTRODE: INSERT MOLDED; CHGR |
| HA-003 | 1001631-2400 | 1 | SHROUD: ACTIVITY ZONE, BOTTOM FRONT, CHARCOAL GREY |
| HA-004 | 1001630-2400 | 1 | SHROUD: ACTIVITY ZONE, BOTTOM REAR, CHARCOAL GREY |
| HA-005 | 0017-00101-2138 | 1 | SCREW: M6 X 1.0 X 16, DIN, PHL, PAN, MS, ST, ZB |
| HA-006 | OK63-01114-0000 | 2 | HANDLEBAR: ENDCAP |
| HA-007 | 0017-00101-1720 | 2 | SCREW: 6-19 X 16, PHL, PAN, HLS, ST, ZN |
| HA-008 | 1001629-2400 | 1 | SHROUD: ACTIVITY ZONE, TOP FEATURED, CHARCOAL GREY |
| HA-009 | 1001632-0700 | 1 | SHROUD: ACTIVITY ZONE, SIMPLE FILLER, BLACK |
| HA-011 | OK66-01141-0001 | 2 | PLUG: INSULATOR, BLACK |
| HA-012 | 0017-00101-2150 | 3 | SCREW: M8 X 1.25 6G6H X 20, UHS, HXW, CS, ST, ZB |

Leg Levelers, Front Roller, and PCB Resistance Control



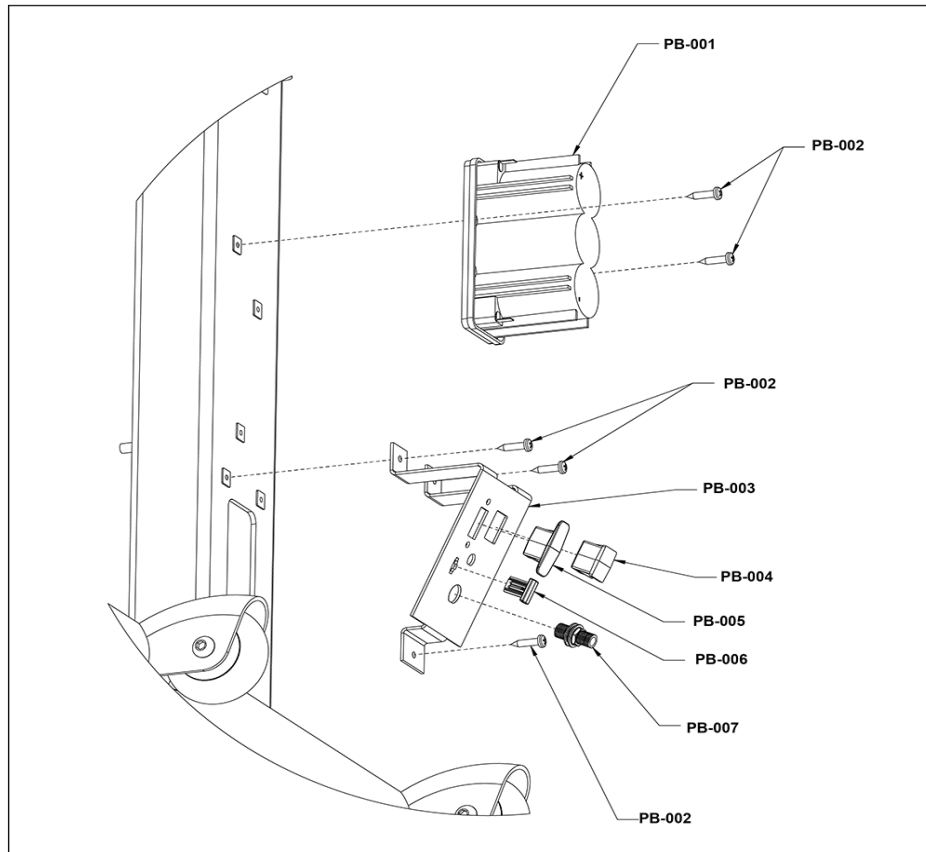
| Ref # | Part Number | Qty | Description |
|--------|-----------------|-----|--|
| LL-001 | 0K77-01033-0700 | 1 | RACK ASSY: UP-DOWN, BLACK |
| LL-002 | AK62-00124-0000 | 4 | LEVELER: LEG, ASSEMBLY |
| LL-003 | 1010977-0001 | 2 | WHEEL: NON-TREAD |
| LL-004 | 1001040-0001 | 4 | BLOCK: LEVELER |
| LL-005 | 1011049-0001 | 2 | RING: M10, E-RING, ST |
| LL-006 | 1011048-0001 | 1 | CLEVIS PIN: 10mm O.D. |
| LL-007 | 0017-00101-2087 | 2 | SCREW: M8 X 1.25 6G6G X 10, HXS, BUT, CS, ST, ZB |
| LL-008 | 0017-00101-2150 | 8 | SCREW: M8 X 1.25 6G6H X 20, UHS, HXW, CS, ST, ZB |
| LL-009 | 0017-00042-1147 | 11 | GROMMET: SCREW, 8 OR 10 |
| LL-010 | 1002971-0001 | 1 | BRACKET: SHROUD CLIP |
| LL-011 | 0017-00101-1796 | 1 | SCREW: M4.2 X 0.7 6G6G X 19, DIN, PHL, PAN, AB, ST, ZB |
| LL-012 | 1015538-0011 | 1 | PCB ASSY: RCB MCFLY |
| LL-014 | 0017-00101-1838 | 4 | SCREW: M3.5 X 1.3 6G6G X 19, PHL, PAN, AB, ST, ZN |
| LL-015 | 0017-00101-1874 | 1 | SCREW: M4 X 0.70-6G6G X 16, ISO, PHL, PAN, MS, ST, ZN |
| LL-016 | 0017-00042-0821 | 4 | GROMMET: SCREW, #6 |
| LL-017 | 1013169-0001 | 1 | SPACER: M5.3 X 8 X 7, ALUMINUM |

Pedals and Crank Arms



| Ref # | Part Number | Qty | Description |
|--------|-----------------|-----|--|
| PC-001 | 0K76-01054-0000 | 1 | CRANK ARM: RIGHT |
| PC-002 | 0K76-01053-0000 | 1 | CRANK ARM: LEFT |
| PC-003 | 0017-00101-1796 | 2 | SCREW: M4.2 X 0.7 6G6G X 19, DIN, PHL, PAN, AB, ST, ZB |
| PC-004 | 0K66-01121-2400 | 2 | CAP: CRANK, CHARCOAL GRAY |
| PC-010 | 1006921-0001 | 1 | ASSEMBLY: PEDAL, LIFECYCLE, RIGHT |
| PC-011 | 1006920-0001 | 1 | ASSEMBLY: PEDAL, LIFECYCLE, LEFT |
| PC-012 | 1001593-2400 | 1 | SHROUD ASSEMBLY: MONOCOLUMN, RIGHT, CHARCOAL GREY |
| PC-013 | 1001594-2400 | 1 | SHROUD: MONOCOLUMN, LEFT, CHARCOAL GREY |
| PC-014 | 0017-00101-2077 | 2 | SCREW: M8 X 1.0 6G6H X 30, UNS, HXW, CS, ST, ZS |
| PC-020 | 1002166-0700 | 4 | ENDCAP: LARGE FLOV, BLACK |
| PC-022 | 1013499-0001 | 4 | NUT: M8 X 1.25-6H, HEX, LOCK, ZINC, CLASS 10 |

Plugs and Battery



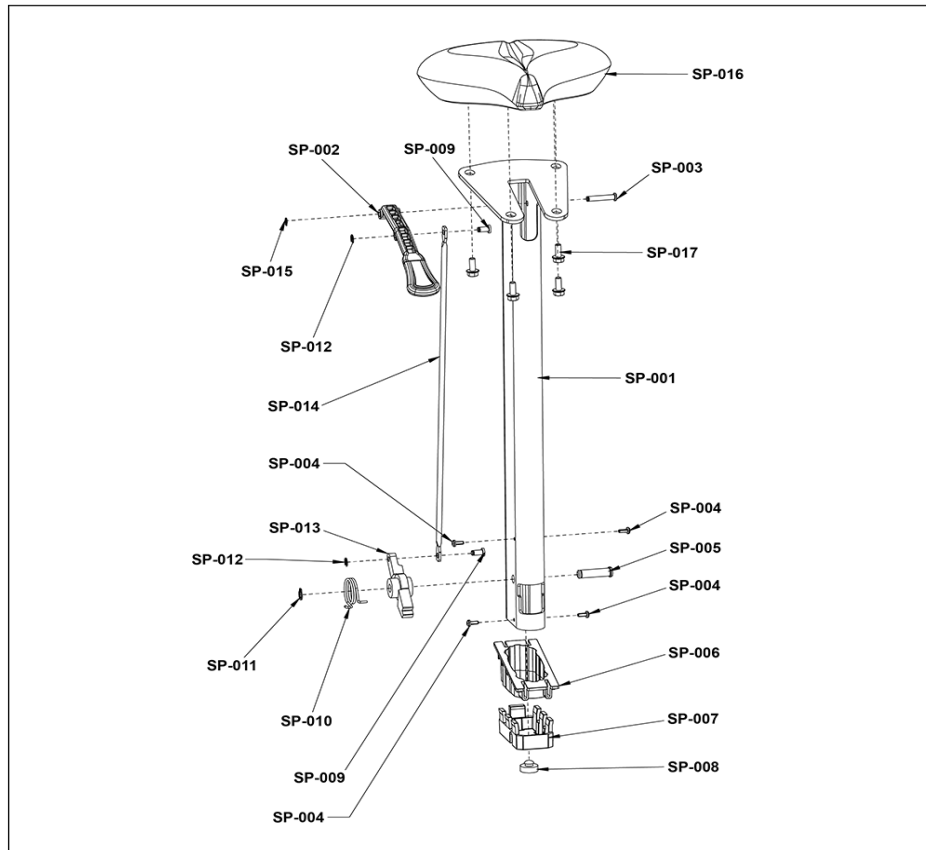
| Ref # | Part Number | Qty | Description |
|--------|-----------------|-----|--|
| PB-001 | 0017-00003-0685 | 1 | BATTERY: 6 VOLT, 2.5AH C (0819-1006) |
| PB-002 | 0017-00101-1796 | 5 | SCREW: M4.2 X 0.7 6G6G X 19, DIN, PHL, PAN, AB, ST, ZB |
| PB-003 | 1001537-0001 | 1 | SHEET METAL: BRACKET, COM PORT |
| PB-004 | 1004601-0001 | 1 | PLUG: RJ45 RECEPTACLE |
| PB-005 | 1005393-0700 | 1 | PLUG: HDMI, BLACK |
| PB-006 | 1005470-0700 | 1 | PLUG: IR PORT, BLACK |
| PB-007 | 0017-00021-2846 | 1 | CONNECTOR: COAX, PANEL MOUNT |

Power Cords

| | | |
|--------|--|--|
| LC-001 | | |
| LC-002 | | |
| LC-003 | | |
| LC-004 | | |
| LC-005 | | |
| LC-006 | | |

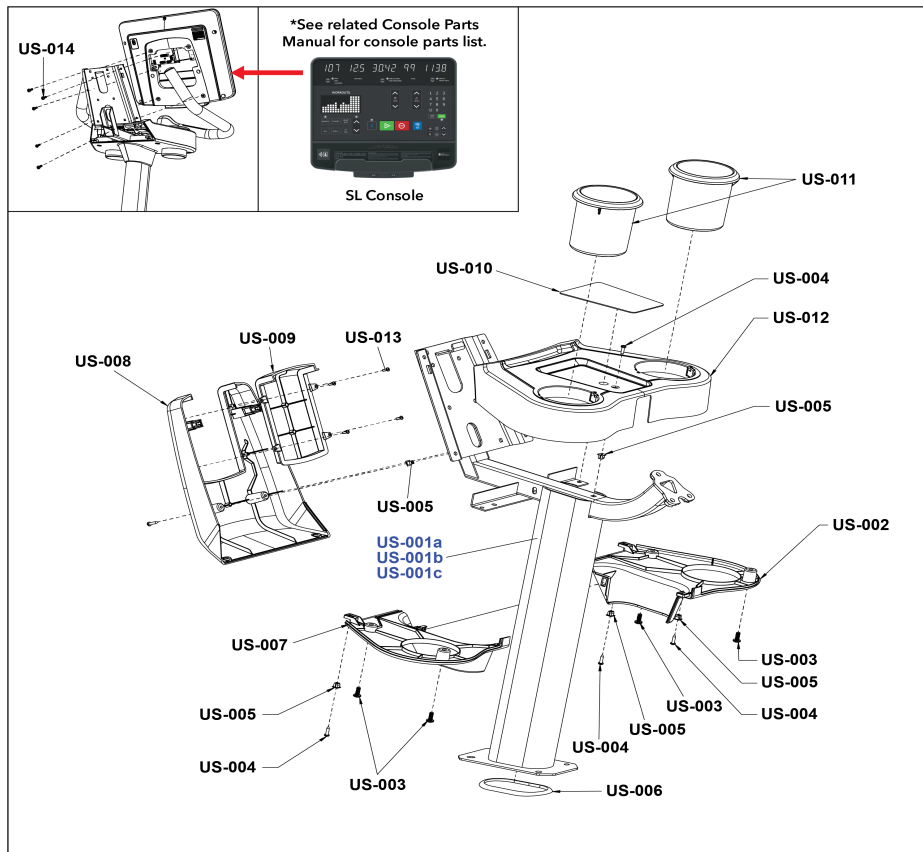
| Ref # | Part Number | Qty | Description |
|--------|-----------------|-----|--|
| LC-001 | 0017-00003-0691 | 1 | LINE-CORD: CON 10A 250V B |
| LC-002 | 0017-00003-0704 | 1 | LINE-CORD: DOM. 10A 125V B |
| LC-003 | 0017-00003-0889 | 1 | LINE-CORD: 10A; U.K B |
| LC-004 | 0017-00003-0918 | 1 | LINE-CORD: AUSTRALIA B |
| LC-005 | 0017-00003-1053 | 1 | LINE-CORD: BRAZIL, IEC-C13 |
| LC-006 | 0017-00003-1067 | 1 | LINE-CORD: ARGENTINA, IRAM 2073, IEC-C13 |

Seat and Seat Post



| Ref # | Part Number | Qty | Description |
|--------|-----------------|-----|--|
| SP-001 | 1012963-0001 | 1 | ASSEMBLY: SEAT POST W/DECAL |
| SP-002 | 1001615-0500 | 1 | HANDLE: SEAT ADJUSTMENT, UPRIGHT, RED |
| SP-003 | 1001557-0001 | 1 | PIN: PIVOT, HANDLE |
| SP-004 | 0017-00101-1968 | 4 | SCREW: M4 X 0.7 X 10, PHL, PAN, TT, ST, ZS |
| SP-005 | 1001558-0001 | 1 | PIN: PIVOT, LATCH |
| SP-006 | 1001555-0001 | 1 | BUSHING: SEAT POST, UPPER |
| SP-007 | 1001556-0001 | 1 | BUSHING: SEAT POST, LOWER |
| SP-008 | 0K77-01066-0000 | 1 | BUMPER: EPDM |
| SP-009 | 0K77-01028-0000 | 1 | PIN: ROD, LOWER |
| SP-010 | 0K77-01032-0000 | 1 | SPRING: UP/DOWN |
| SP-011 | 0017-00100-0253 | 1 | RING: M10, RETAINING, EXT, ST |
| SP-012 | 0017-00100-0250 | 2 | RING: M6, E-CLIP, ST |
| SP-013 | 0K77-01031-0000 | 1 | LATCH: UP/DOWN |
| SP-014 | 0K77-01027-0000 | 1 | ROD: UP/DOWN |
| SP-015 | 1001646-0001 | 1 | RING: M6, RETAINING, EXT, ST |
| SP-016 | 1004863-0001 | 1 | SEAT: UPRIGHT |
| SP-017 | 0017-00101-2150 | 4 | SCREW: M8 X 1.25 6G6H X 20, UHS, HXW, CS, ST, ZB |

Upper Shrouds and Monocolumn



| Ref # | Part Number | Qty | Description |
|---------|-----------------|-----|--|
| US-001c | 1012966-0001 | 1 | ASSEMBLY: MONOCOLUMN W/DECAL, UPRIGHT, PURPLE ROBUST |
| US-001a | 1001523-5100 | 1 | WELDMENT: MONOCOLUMN, UPRIGHT, ARCTIC SILVER ROBUST |
| US-001b | 1001523-5300 | 1 | WELDMENT: MONOCOLUMN, UPRIGHT, SMOOTH CHARCOAL GRAY ROBUST |
| US-002 | 1001606-2400 | 1 | SHROUD: BOTTOM, RIGHT, CHARCOAL GREY |
| US-003 | 0017-00101-2138 | 4 | SCREW: M6 X 1.0 X 16, DIN, PHL, PAN, MS, ST, ZB |
| US-004 | 0017-00101-1796 | 5 | SCREW: M4.2 X 0.7 6G6G X 19, DIN, PHL, PAN, AB, ST, ZB |
| US-005 | 0017-00042-1147 | 4 | GROMMET: SCREW, 8 OR 10 |
| US-006 | 1003232-0700 | 1 | GASKET: MONOCOLUMN, BLACK |
| US-007 | 1001607-2400 | 1 | SHROUD ASSEMBLY: BOTTOM, LEFT, CHARCOAL GREY |
| US-008 | 1001608-2400 | 1 | SHROUD: REAR, CHARCOAL GREY |
| US-009 | 1012962-0001 | 1 | ASSEMBLY: REAR SHROUD W/DECAL, FILLER, CHGR |
| US-010 | 1001610-0700 | 1 | PAD: UPRIGHT TRAY, BLACK |
| US-011 | 1001034-2400 | 2 | CUPHOLDER: LOCKING, CHARCOAL GRAY |
| US-012 | 1001605-2400 | 1 | SHROUD ASSEMBLY: TOP, CHARCOAL GREY |
| US-013 | 0017-00101-1650 | 4 | SCREW: 6-19 X 6, PHL, PAN, PLT, ST, ZB, VMI |
| US-014 | 0017-00101-1940 | 5 | SCREW: M5 X 0.8 X 14, PHL, PAN, MS, ST, ZN |

