

Symbio Home Incline Cross Trainer Smooth Charcoal Base CONT

PCSPX-CHRXCON-01

Parts Manual

3/3/2025 11:52:14 AM

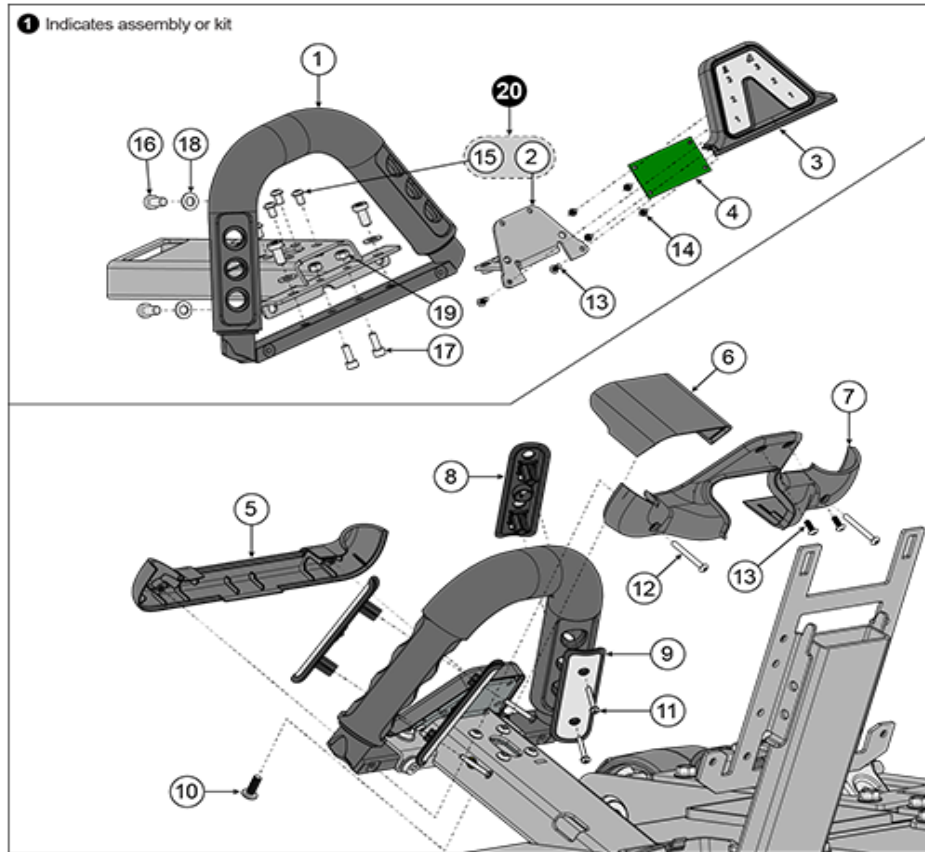


LifeFitness
WHAT WE LIVE FOR

Table of Contents

Activity Zone.....	3
Base Shrouds.....	5
Communication Port.....	6
Console Rear Shroud.....	7
Console Weldment and Bridge Brackets.....	8
DPS Assembly.....	9
Front Shrouds and Casting.....	11
Front Stabilizer Castings.....	12
Generator and Crank Arm.....	14
Handlebar Rocker Assemblies.....	15
Incline Link Shrouds.....	17
Inner and Outer Bridge Shrouds.....	18
Left Coupler Link and Idler Link Assemblies.....	19
Left Pedal Lever Assembly.....	21
Left Side Motor Shroud.....	22
Lower Bridge Shroud.....	23
Main Rocker Arm Assemblies.....	24
Monocolumn Shrouds and Castings.....	25
Motor Rear and Top Shrouds.....	27
Pulley and Crank Arm.....	28
Rear Stabilizer Castings.....	30
Right Coupler Link and Idler Link Assemblies.....	32
Right Pedal Lever Assembly.....	34
Right Side Motor Shroud.....	35
Service Wheel and Castor.....	36
Service Wheel Assembly.....	37
Top Bridge Shroud.....	38
Under Bridge Components.....	39
Wiring Diagram - Base.....	40
Wiring Diagram - Base to Console.....	41
Wiring Diagram - Console to Wireless Charger.....	42

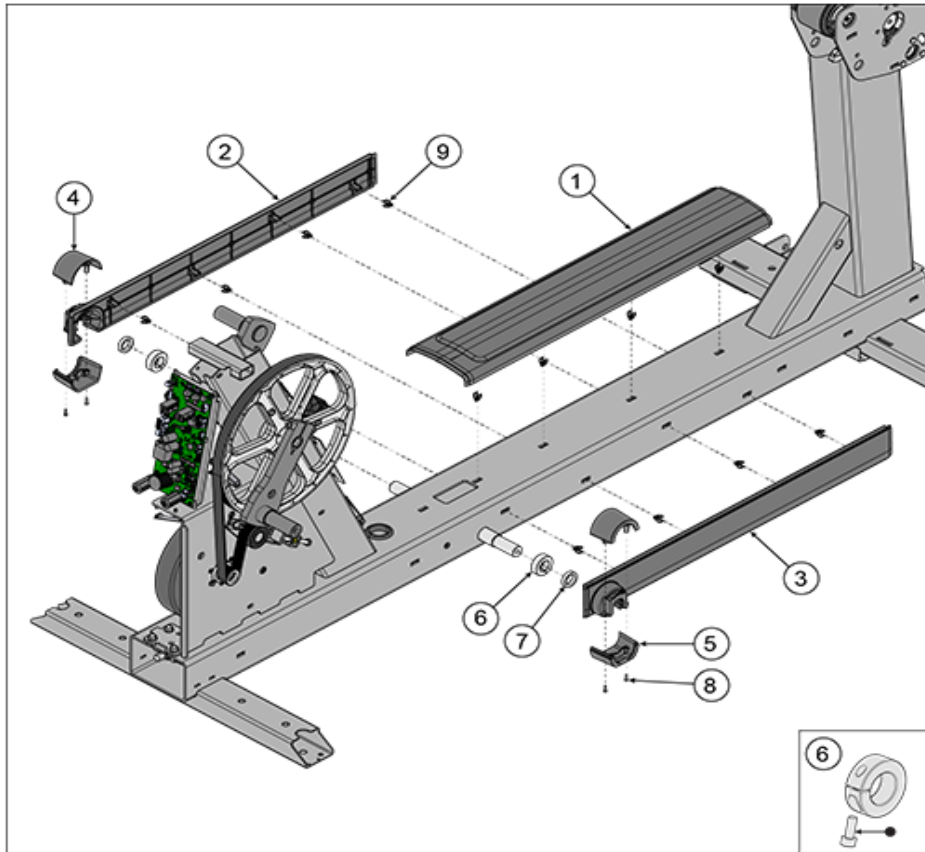
Activity Zone



Ref #	Part Number	Qty	Description
1	1021645-0001	1	ASSEMBLY: STATIONARY GRIP
2	1023383-0701	1	ASSEMBLY: STATIONARY GRIP, ACTIVITY ZONE MOUNT, PEM, BLACK
3	1023364-0001	1	ASSEMBLY: ACTIVITY ZONE, FRONT
4	1020547-0011	1	MAIN PCB ASSY: EVEREST XT HUB
5	1021184-0001	1	SHROUD ASSY: ACTIVITY ZONE, FRONT LOWER
6	1022231-0001	1	ASSEMBLY: SHROUD: BRIDGE TOP; INTERMEDIATE
7	1021183-0001	1	SHROUD: ACTIVITY ZONE, REAR
8	AK69-00139-2404	2	ELECTRODE: INSERT-MOLDED ASSY, 4 INCH, TOP, CHARCOAL GARY
9	AK69-00140-2404	2	ELECTRODE: INSERT-MOLDED ASSY, 4 INCH, BOTTOM, CHARCOAL GRAY
10	0017-00101-2138	1	SCREW: M6 X 1.0 X 16, DIN, PHL, PAN, MS, ST, ZB
11	0017-00101-2054	4	SCREW: 6-19 X 16, PHL, PAN, HLS, ST, ZN
12	1021607-0001	2	SCREW: M4 X 0.7-6G6G X 35, HKA, BUT, MS, C10
13	1024766-0001	4	SCREW: M4 X 0.7-6G6G X 10, HKA, BUT, MS, C10
14	0017-00101-1971	4	SCREW: M3 X 0.5 6G6G X 6, DIN, PHL, PAN, MS, ST, ZN
15	1006331-0001	4	SCREW: M6 X 1.0 X 10, HXS, BUT, CS, ST, BZ
16	1021564-0001	4	SCREW: M8 X 1.25-6G6G X 16, LOW HD, HKA, SOC, CS, C10
17	1005398-0001	2	SCREW: M6 X 1.0 X 16, DIN, HEX, SOC, CS, ST, BO

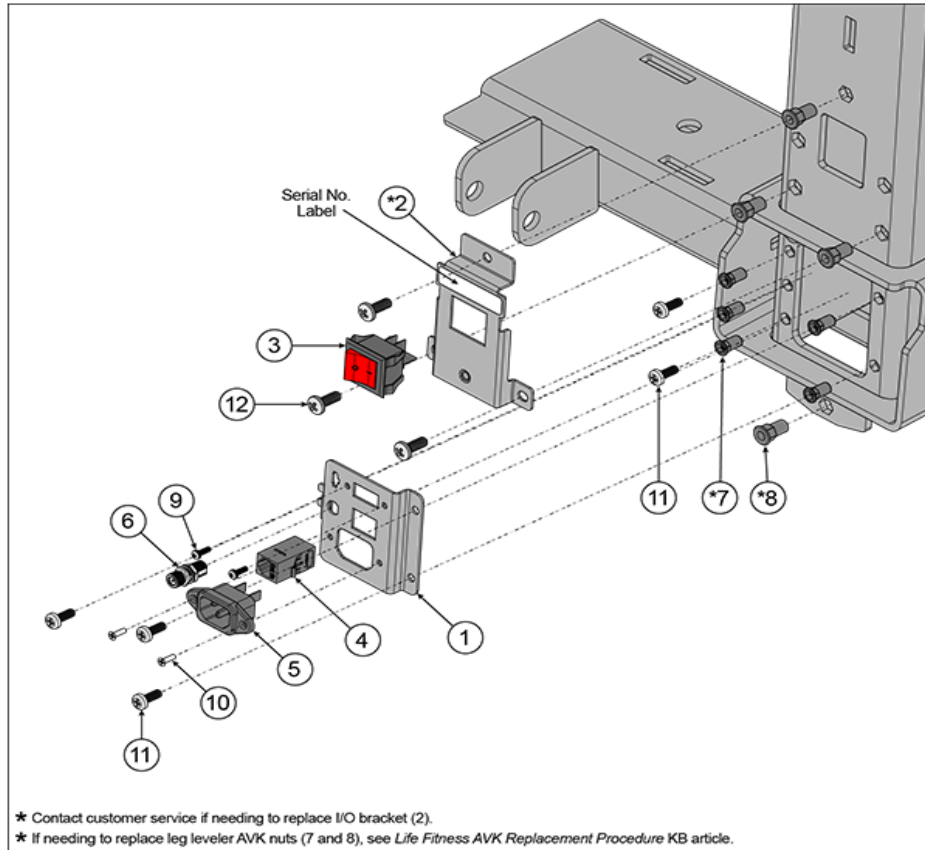
Ref #	Part Number	Qty	Description
18	0017-00104-0469	4	WASHER: M8.4 X 16.0 X 1.6, DIN, FLAT, ST, ZB
19	0017-00103-0378	2	NUT: M6 X 1-6H6H, DIN, LOCKNUT, ST, BZ
20	1026264-0001	1	KIT: ACTIVITY ZONE MOUNT WITH HARDWARE, SYMBIO CROSSTRAINER

Base Shrouds



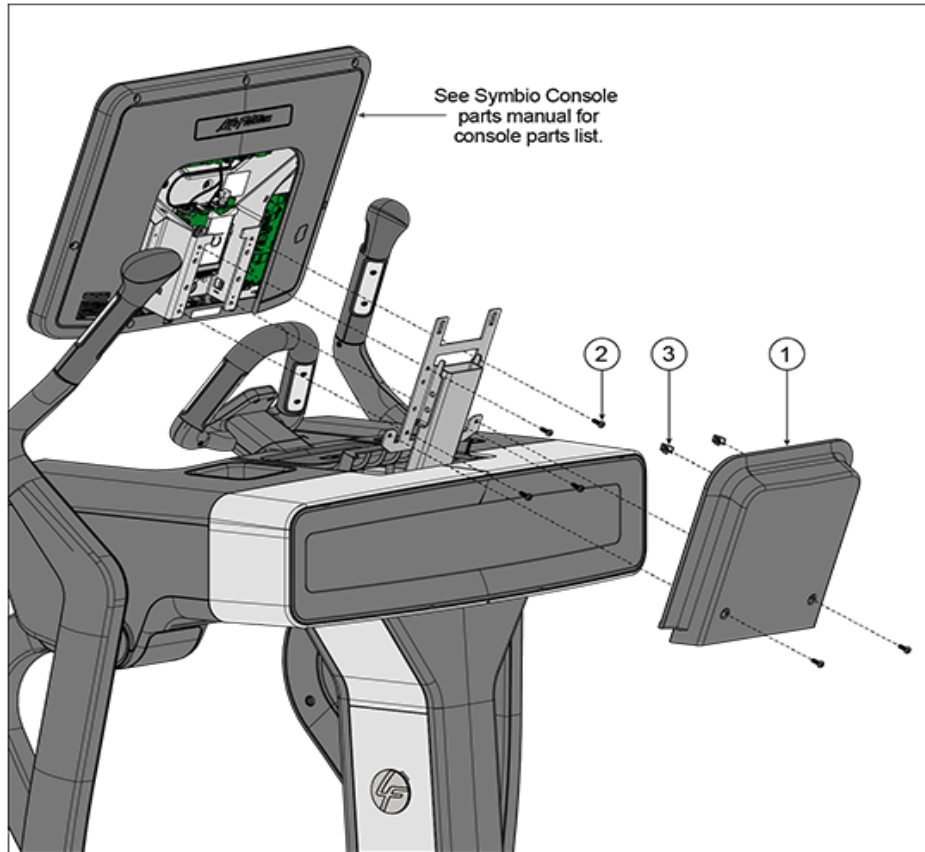
Ref #	Part Number	Qty	Description
1	1021666-0001	1	ASSEMBLY: SHROUD, BASE FRAME, TOP
2	1021667-0001	1	ASSEMBLY: SHROUD, BASE FRAME, LEFT
3	1021668-0001	1	ASSEMBLY: SHROUD, BASE FRAME, RIGHT
4	1023059-0001	2	SHROUD ASSEMBLY: IDLER HUB COVER, TOP
5	1023060-0001	2	SHROUD: IDLER HUB COVER, BOTTOM
6	1019442-0001	2	ASSEMBLY: SHAFT COLLAR, M25
7	1020989-0001	2	WASHER: M25 X 35 X 2.5, SPC, ST
8	1023061-0001	4	SCREW: M3 X 0.5-5G6G X 12, HKA, SOC, CS, ST
9	1002263-0001	12	CLIP: M9.55 X 16.5, FASTENER, SPRING

Communication Port



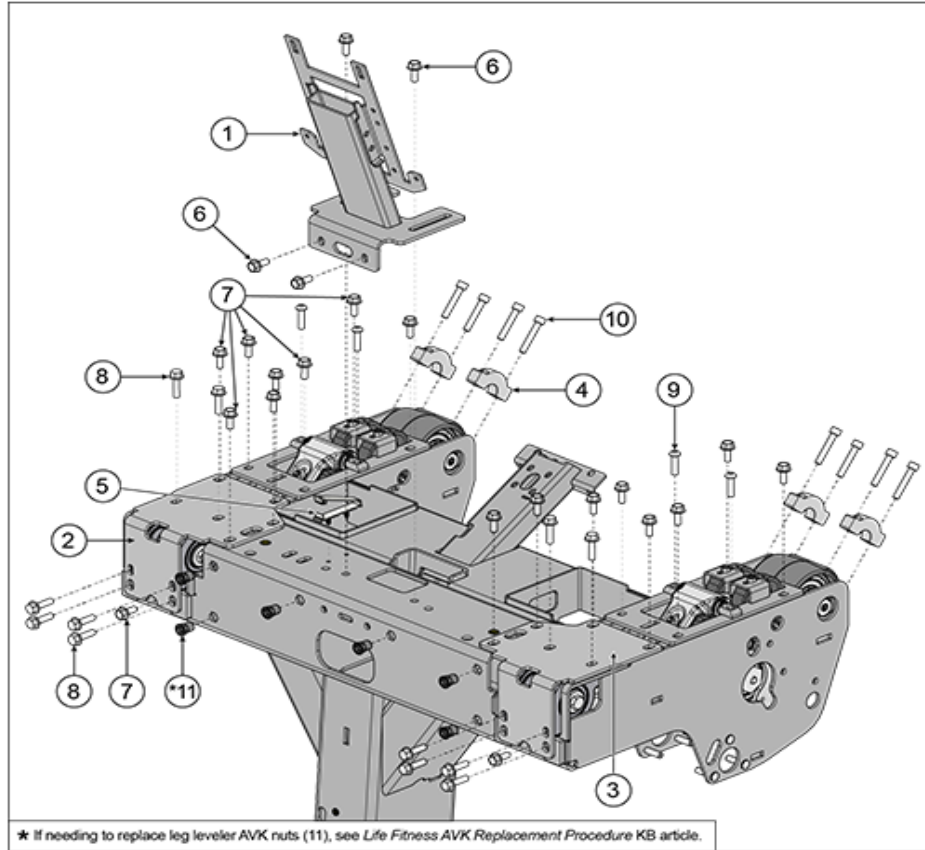
Ref #	Part Number	Qty	Description
1	1025026-0001	1	SHEET METAL: COMPORT
2	1022512-0001	1	SHEET METAL ASSY: POWER SWITCH ASSEMBLY
3	0017-00032-0198	1	SWITCH: POWER, DPST ROCKER
4	0017-00021-3195	1	COUPLER: CAT5E, SHIELDED, RJ45
5	0017-00003-1090	1	RECEPTACLE: IEC, PANEL MOUNT, 15A 250V AC
6	0017-00021-2846	1	CONNECTOR: COAX, PANEL MOUNT
7	1023057-0001	5	INSERT: M5, HALF-HEX SHANK
8	0017-00009-1358	4	INSERT: M6 X 6.6, THREADED, HEX
9	0017-00101-2016	2	SCREW: M3 X 0.5 6G6G X 10, DIN, PHL, PAN, E, MS, ST, ZN
10	1022828-0001	2	SCREW: M3 X 0.5-6h X 10, PHL, FLT, MS, ST
11	0017-00101-1972	5	SCREW: M5 X 0.8 X 14, PHL, PAN, MS, ST, BZ
12	0017-00101-2138	3	SCREW: M6 X 1.0 X 16, DIN, PHL, PAN, MS, ST, ZB

Console Rear Shroud



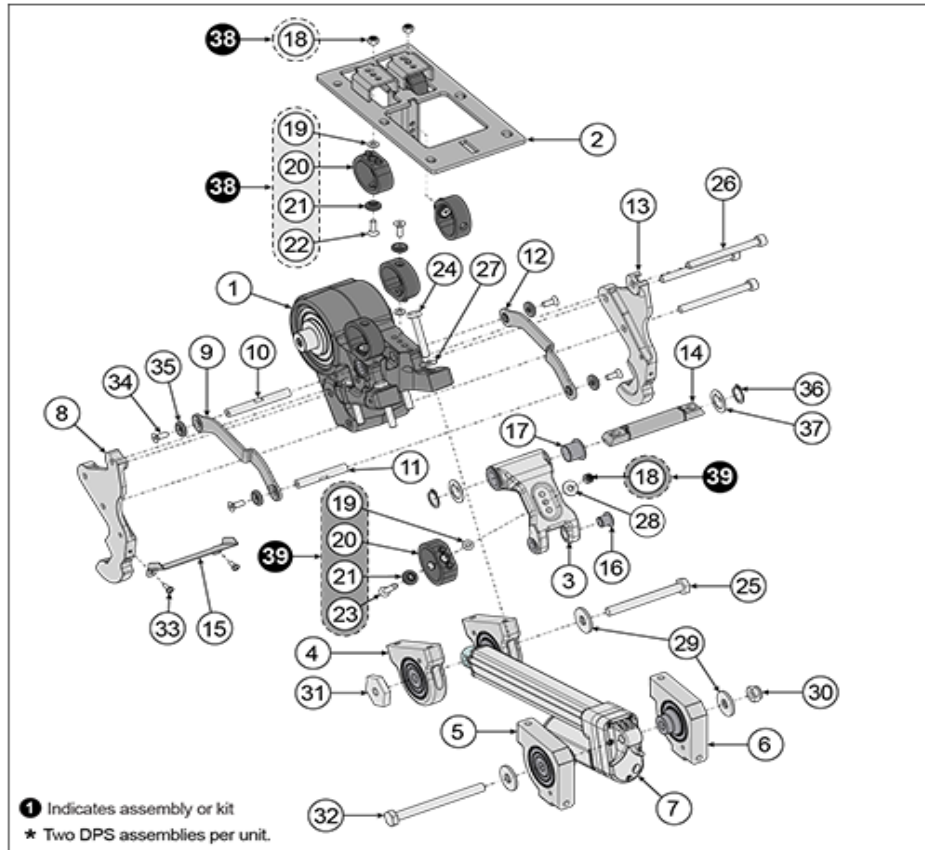
Ref #	Part Number	Qty	Description
1	1022221-0001	1	ASSEMBLY: SHROUD: CONSOLE, REAR
2	0017-00101-1972	6	SCREW: M5 X 0.8 X 14, PHL, PAN, MS, ST, BZ
3	1002263-0001	2	CLIP: M9.55 X 16.5, FASTENER, SPRING

Console Weldment and Bridge Brackets



Ref #	Part Number	Qty	Description
1	1022218-0701	1	WELDMENT: CONSOLE MOUNT, L-BRACKET, BLACK
2	1021859-0701	1	SHEET METAL: RIGHT, BRACKET, ACTUATOR TRUNNION, BLACK
3	1021858-0701	1	SHEET METAL: LEFT, BRACKET, ACTUATOR TRUNNION, BLACK
4	1020974-0001	4	BLOCK: CLAMP, SHAFT, INCLINE LINK
5	1022804-0001	1	CLIP: FLAT CLAMP, SNAP-IN, HINGED
6	0017-00101-2150	4	SCREW: M8 X 1.25 6G6H X 20, UHS, HXW, CS, ST, ZB
7	1005191-0001	16	SCREW: M8 X 1.25 6G6H X 20, UNS, HXW, CS, ST
8	0017-00101-2130	12	SCREW: M8 X 1.25-6G6H X 30, UNS, HXW, CS, ST, ZB
9	1024621-0001	4	SCREW: M8 X 1.25-6G X 30, HKA, BUT, CS, ST
10	1017155-0001	8	SCREW: M8 X 1.25-6G6G X 45, HKA, SOC, CS, ST, ZC
11	1019826-0001	6	INSERT: M8 X 7.9, THREADED, HEX

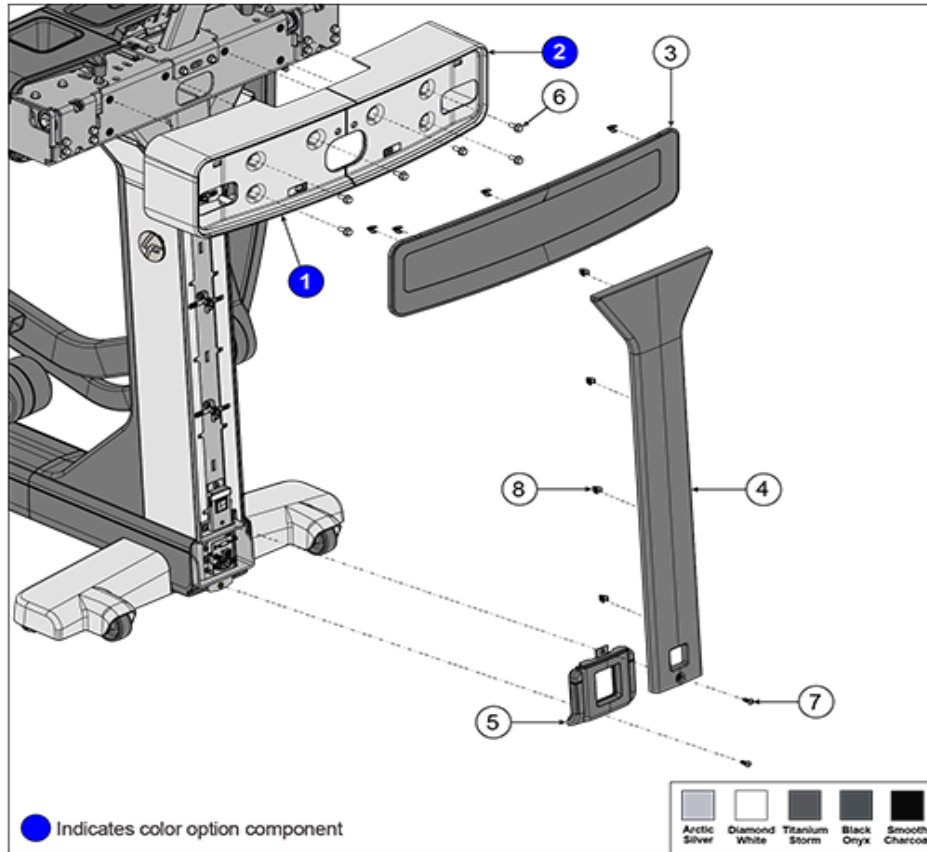
DPS Assembly



Ref #	Part Number	Qty	Description
1	1022632-2601	2	ASSEMBLY: INCLINE LINK, CHARCOAL GRAY SMOOTH
2	1024370-0001	2	WELDMENT: BRACKET, DPS
3	1024364-0001	2	ASSEMBLY: SPRING ARM, BUSHINGS
4	1021811-0001	4	ASSEMBLY: BEARING BLOCK, ACTUATOR PUSH TUBE
5	1021860-0001	2	ASSEMBLY: BLOCK, ACTUATOR TRUNNION, LEFT
6	1024923-0001	2	ASSEMBLY: BLOCK, ACTUATOR TRUNNION, RIGHT
7	1021883-0001	2	ACTUATOR: LINEAR, DC, CUSTOM TA16
8	1022636-0001	2	BRACKET: INCLINE LINK, THREADED SIDE
9	1023807-0001	2	ASSEMBLY: LINK, CONNECTING, RIGHT
10	1023775-0001	2	SHAFT: PRE-LOAD, INCLINE LINK
11	1023771-0001	2	SHAFT: PRE-LOAD, SPRING ARM
12	1023806-0001	2	ASSEMBLY: LINK, CONNECTING, LEFT
13	1022634-0001	2	BRACKET: INCLINE LINK, C-BORE SIDE
14	1023597-0001	2	SHAFT: SPRING ARM
15	1021578-0001	1	BRACKET: INCLINE LINK
16	1023802-0001	4	BUSHING: M8 X 10 X 10, FLG, DE
17	1023803-0001	4	BUSHING: M18 X 20 X 17, FLG, DE
18	0017-00103-0378	6	NUT: M6 X 1-6H6H, DIN, LOCKNUT, ST, BZ
19	1024484-0001	10	WASHER: M6 X 12 X 1, FL, ST
20	1024354-0001	10	SPRING: ELASTOMER, DPS
21	1024479-0001	10	SPACER: FLANGED, COUNTERSINK

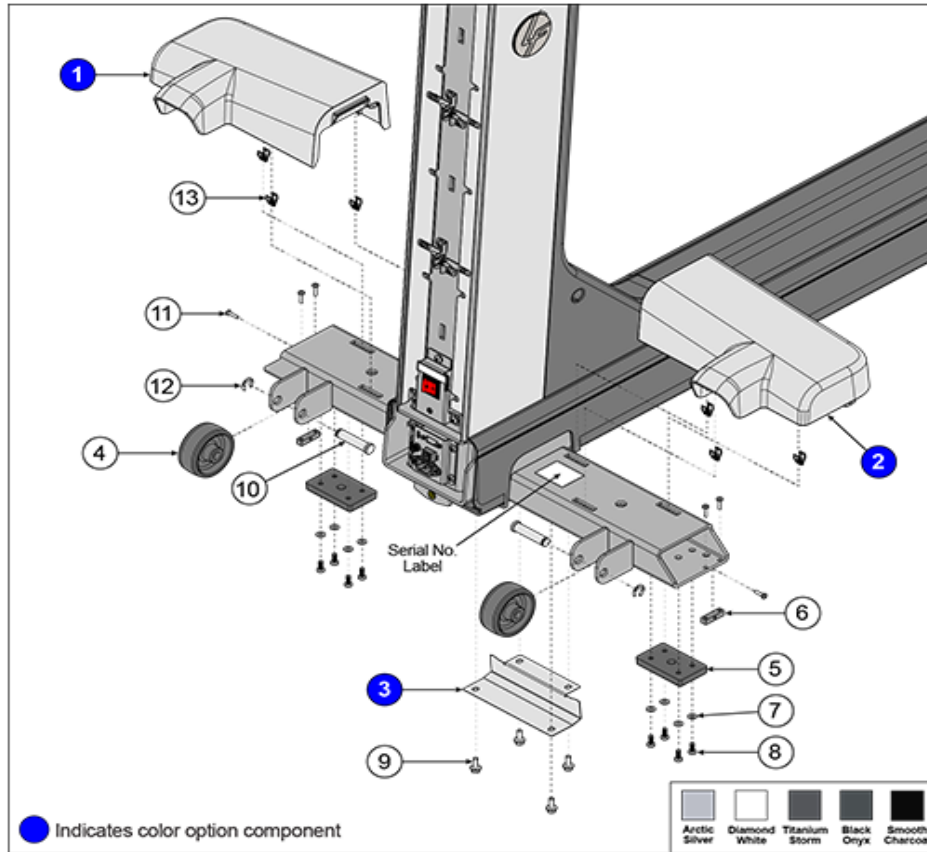
Ref #	Part Number	Qty	Description
22	1025000-0001	8	SCREW: M6 X 1.0-6G X 18, HKA, FLT, CS, ST
23	1024999-0001	2	SCREW: M6 X 1.0-6G X 30, HKA, FLT, CS, ST
24	1023674-0001	8	SCREW: M8 X 1.25-6G6G X 50, DIN, UNS, HEX, CS, ST, ZN
25	1021092-0001	2	SCREW: M10 X 1.5-6G6G X 95, HXS, HEX, CS, C10
26	1021058-0001	3	SCREW: M8 X 1.25-6G6G X 90, HKA, SOC, CS, C12
27	0017-00104-0510	8	WASHER: M8.4 X 19 X 1.6, DIN, FLAT, ST, ZB
28	1023808-0001	2	WASHER: M6 X 18 X 1.6, FL, ST
29	1021055-0001	3	WASHER: M10 X 31 X 3, SPC, ST
30	0017-00103-0334	2	NUT: M10 X 1.50-6H6H, DIN, LOCKNUT, ST, ZB
31	1021085-0001	2	NUT: M10 X 1.5-6H, SHOULDER, SPC, ST
32	1021091-0001	2	SCREW: M10 X 1.5-6G6G X 115, HXS, HEX, CS, C10
33	0017-00101-1989	4	SCREW: M4 X 6G6G X 10, PHL, PAN, ST, ZN
34	1024622-0001	8	SCREW: M6 X 1.0-6G X 16, HKA, FLT, CS, ST
35	1024531-0001	8	WASHER: M6, COUNTERSUNK, DPS
36	1023815-0001	4	RING: M18, BRE, ST
37	1023810-0001	4	WASHER: M18 X 28 X 1, SPC, ST
38	1026279-0001	1	KIT: DPS SPRING REPLACEMENT
39	1026280-0001	1	KIT: DPS ARM SPRING REPLACEMENT

Front Shrouds and Casting



Ref #	Part Number	Qty	Description
1b	1022067-2301	1	CASTING: BRIDGE RING, RIGHT, BLACK ONYX
1a	1022067-2601	1	CASTING: BRIDGE RING, RIGHT, SMOOTH CHAR GRAY
1c	1022067-2201	1	CASTING: BRIDGE RING, RIGHT, TITANIUM
1d	1022067-2101	1	CASTING: BRIDGE RING, RIGHT, PEARLESENT WHITE
1e	1022067-0101	1	CASTING: BRIDGE RING, RIGHT, ARCTIC SILVER
2b	1021579-2301	1	CASTING: BRIDGE RING, LEFT, BLACK ONYX
2e	1021579-0101	1	CASTING: BRIDGE RING, LEFT, ARCTIC SILVER
2c	1021579-2201	1	CASTING: BRIDGE RING, LEFT, TITANIUM
2a	1021579-2601	1	CASTING: BRIDGE RING, LEFT, SMOOTH CHAR GRAY
2d	1021579-2101	1	CASTING: BRIDGE RING, LEFT, PEARLESENT WHITE
3	1022222-0001	1	ASSEMBLY: SHROUD: BRIDGE; FRONT
4	1021677-0001	1	SHROUD ASSY: MONOCOLUMN, FRONT
5	1021475-0001	1	SHROUD: COMM PANEL
6	0017-00101-2150	6	SCREW: M8 X 1.25 6G6H X 20, UHS, HXW, CS, ST, ZB
7	0017-00101-2138	2	SCREW: M6 X 1.0 X 16, DIN, PHL, PAN, MS, ST, ZB
8	1002263-0001	8	CLIP: M9.55 X 16.5, FASTENER, SPRING

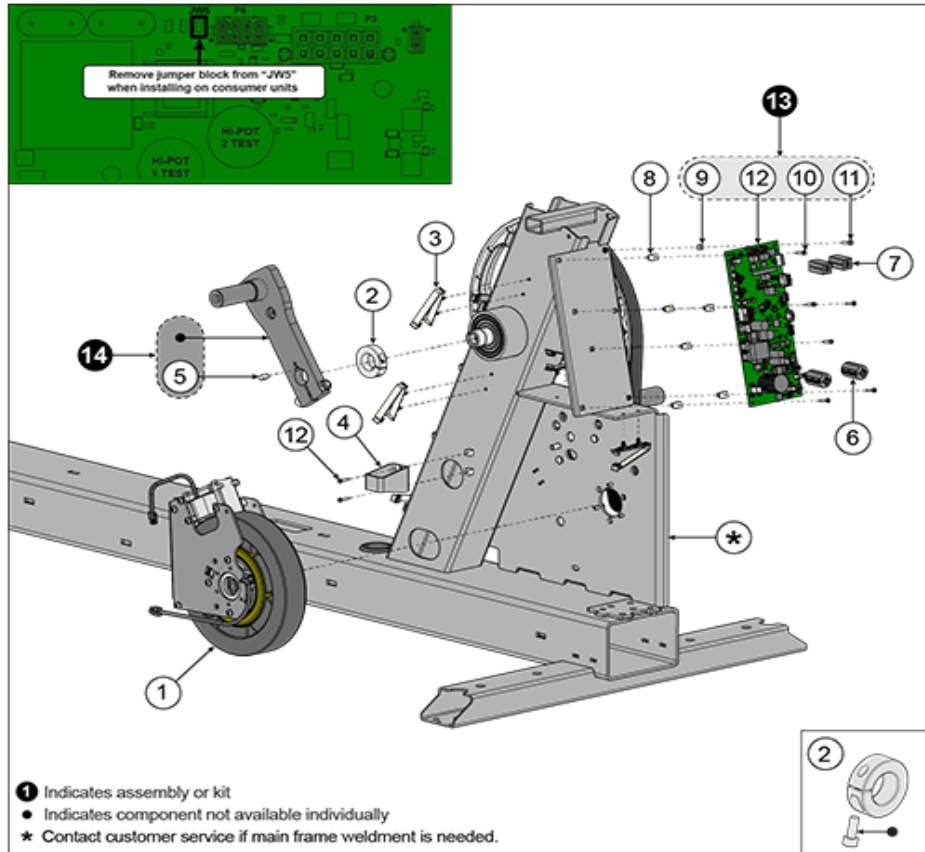
Front Stabilizer Castings



Ref #	Part Number	Qty	Description
1e	1021653-0101	1	CASTING ASSY: STABILZER COVER, FRONT RIGHT, ARCTIC SILVER
1d	1021653-2101	1	CASTING ASSY: STABILZER COVER, FRONT RIGHT, PEARLESENT WHITE
1b	1021653-2301	1	CASTING ASSY: STABILZER COVER, FRONT RIGHT, BLACK ONYX
1c	1021653-2201	1	CASTING ASSY: STABILZER COVER, FRONT RIGHT, TITANIUM
1a	1021653-2601	1	CASTING ASSY: STABILZER COVER, FRONT RIGHT, MATTE CHAR GRAY
2b	1021652-2301	1	CASTING ASSY: STABILZER COVER, FRONT LEFT, BLACK ONYX
2c	1021652-2201	1	CASTING ASSY: STABILZER COVER, FRONT LEFT, TITANIUM
2e	1021652-0101	1	CASTING ASSY: STABILZER COVER, FRONT LEFT, ARCTIC SILVER
2a	1021652-2601	1	CASTING ASSY: STABILZER COVER, FRONT LEFT, MATTE CHAR GRAY
2d	1021652-2101	1	CASTING ASSY: STABILZER COVER, FRONT LEFT, PEARLESENT WHITE
3a	1022086-7301	1	BRACKET: FRONT STABILIZER FILLER, METTALIC

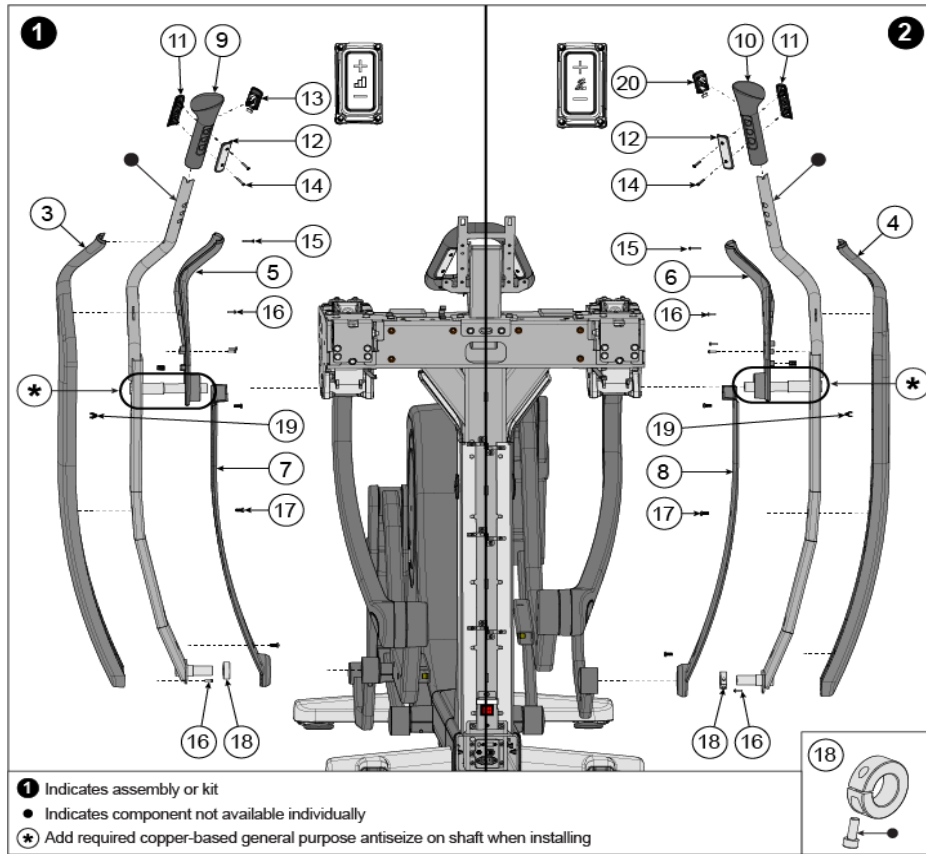
Ref #	Part Number	Qty	Description
			BLACK
3e	1022086-5101	1	BRACKET: FRONT STABILIZER FILLER, ARCTIC SILVER
3d	1022086-5301	1	BRACKET: FRONT STABILIZER FILLER, SMOOTH CHAR GRAY
3c	1022086-7101	1	BRACKET: FRONT STABILIZER FILLER, PEARESCENT WHITE
3b	1022086-7201	1	BRACKET: FRONT STABILIZER FILLER, TITANIUM
4	0K60-01020-0000	2	WHEEL: LIFT-ARM
5	7810801	2	PAD: FOOT, RUBBER
6	1021957-0001	2	BLOCK: STABILIZER, SHROUD MOUNT
7	1024484-0001	8	WASHER: M6 X 12 X 1, FL, ST
8	0017-00101-1972	8	SCREW: M5 X 0.8 X 14, PHL, PAN, MS, ST, BZ
9	1003368-0001	4	SCREW: M6 X 1.0 X 16, DIN, UNS, HXW, CS, ST, ZB
10	1021145-0001	2	SHAFT: M12.7, WHEEL
11	0017-00101-1874	6	SCREW: M4 X 0.70-6G6G X 16, ISO, PHL, PAN, MS, ST, ZN
12	1021146-0001	2	E-RING: M11-15, SHAFT
13	1002263-0001	6	CLIP: M9.55 X 16.5, FASTENER, SPRING

Generator and Crank Arm



Ref #	Part Number	Qty	Description
1	1003401-0001	1	GENERATOR: W/BRAKE, W/O CLUTCH, 10 RIB PULLEY
2	0K69-01018-0000	1	COLLAR: 30 MM ID, SHAFT
3	1022804-0001	3	CLIP: FLAT CLAMP, SNAP-IN, HINGED
4	1023108-0701	1	TUBE: STANDOFF, REAR SHROUD LEFT, BLACK
5	1024969-0001	1	KEY: 7 X 8
6	1024147-0001	2	FERRITE: ROUND CABLE SNAP-IT, 10MHz-100MHz
7	1022832-0001	2	NUT: M4 X 0.7-6H, RIVET, ST, HALF-HEX SHANK
8	0017-00042-0821	6	GROMMET: SCREW, #6
9	1013169-0001	1	SPACER: M5.3 X 8 X 7, ALUMINUM
10	0017-00101-1838	6	SCREW: M3.5 X 1.3 6G6G X 19, PHL, PAN, AB, ST, ZN
11	0017-00101-1874	1	SCREW: M4 X 0.70-6G6G X 16, ISO, PHL, PAN, MS, ST, ZN
12	1017804-0014	1	PNC CROSSTRAINER
13	1026277-0001	1	KIT: PNC BOARD REPLACEMENT, SYMBIO CROSSTRAINER
14	1026271-0001	1	KIT: CRANKARM REPLACEMENT, SYMBIO CROSSTRAINER

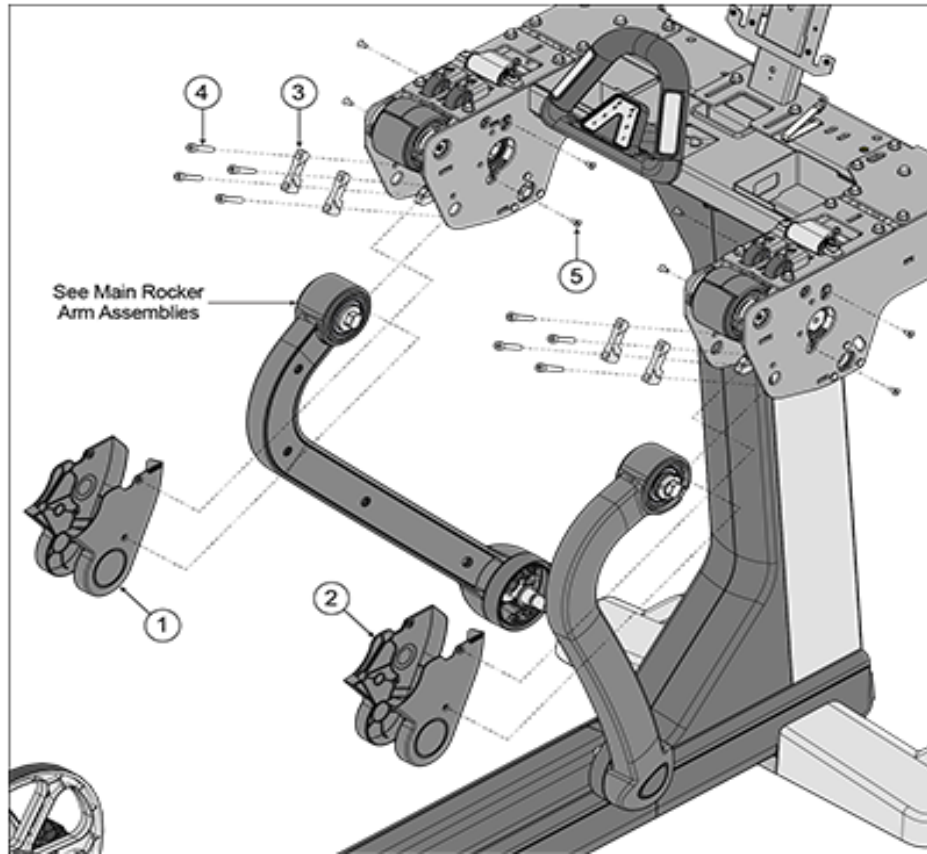
Handlebar Rocker Assemblies



Ref #	Part Number	Qty	Description
1	1026291-0001	1	KIT: HANDLEBAR ROCKER ASSEMBLY REPLACEMENT, RIGHT
2	1026301-0001	1	KIT: HANDLEBAR ROCKER ASSEMBLY REPLACEMENT, LEFT
3	1023162-0001	1	ASSEMBLY: SHROUD, HBAR ROCKER, OUTER, RIGHT
4	1023161-0001	1	ASSEMBLY: SHROUD, HBAR ROCKER, OUTER, LEFT
5	1022734-0001	1	ASSEMBLY: SHROUD, HBAR ROCKER, INNER, UPPER, RIGHT
6	1022733-0001	1	ASSEMBLY: SHROUD, HBAR ROCKER, INNER UPPER, LEFT
7	1022594-0001	1	SHROUD: HBAR ROCKER, INNER, LOWER, RIGHT
8	1021946-0001	1	SHROUD: HBAR ROCKER, INNER, LOWER, LEFT
9	1021420-0001	1	GRIP: MOLDED ASSY, RIGHT
10	1021420-0002	1	GRIP: MOLDED ASSY, LEFT
11	AK69-00139-2404	2	ELECTRODE: INSERT-MOLDED ASSY, 4 INCH, TOP, CHARCOAL GRAY
			ELECTRODE: INSERT-MOLDED ASSY, 4 INCH, BOTTOM, CHARCOAL GRAY
12	AK69-00140-2404	2	ELECTRODE: INSERT-MOLDED ASSY, 4 INCH, BOTTOM, CHARCOAL GRAY
13	1021421-0001	1	ASSEMBLY: KEYPAD BEZEL, RESISTANCE
14	0017-00101-2054	4	SCREW: 6-19 X 16, PHL, PAN, HLS, ST, ZN
15	1023354-0001	2	SCREW: 6-19 X 16, PHL, PAN, PLT, ST

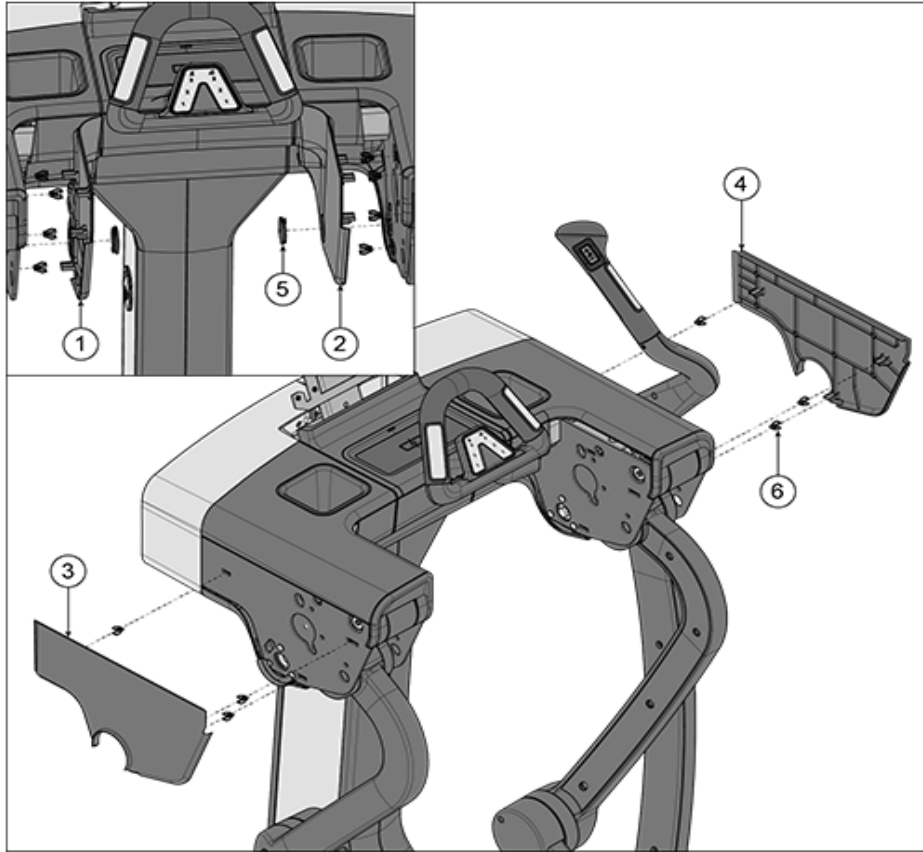
Ref #	Part Number	Qty	Description
16	0017-00101-1874	8	SCREW: M4 X 0.70-6G6G X 16, ISO, PHL, PAN, MS, ST, ZN
17	0017-00101-2138	6	SCREW: M6 X 1.0 X 16, DIN, PHL, PAN, MS, ST, ZB
18	1019442-0001	2	ASSEMBLY: SHAFT COLLAR, M25
19	1002263-0001	4	CLIP: M9.55 X 16.5, FASTENER, SPRING
20	1021421-0002	1	ASSEMBLY: KEYPAD BEZEL, INCLINE

Incline Link Shrouds



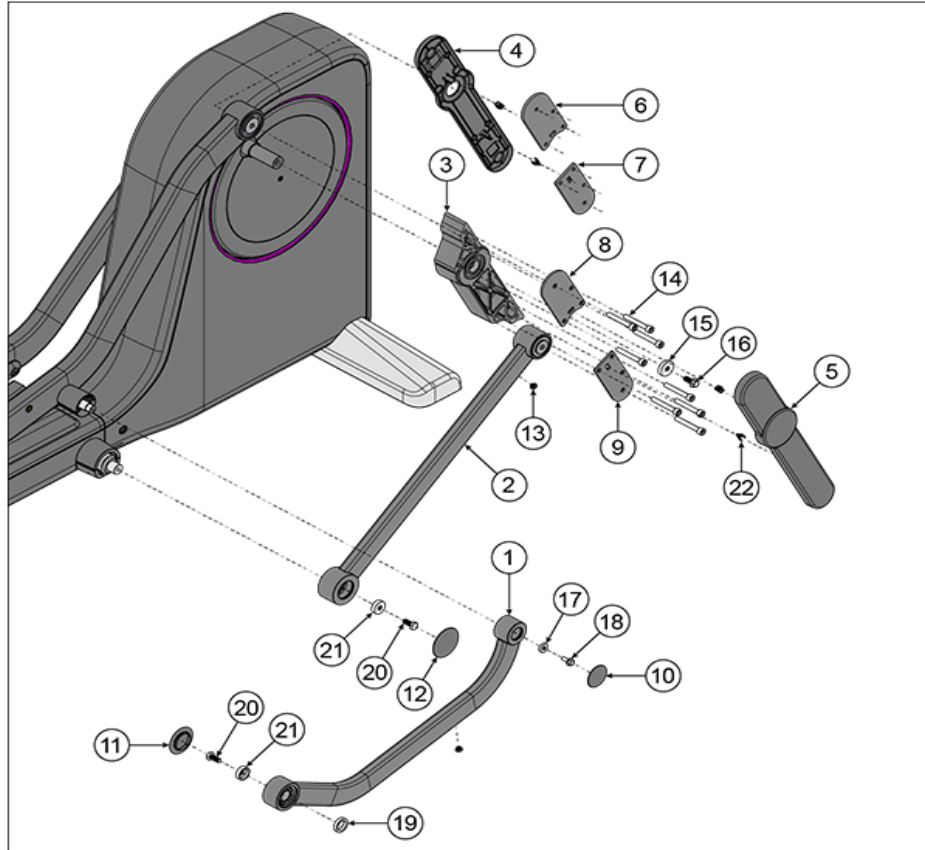
Ref #	Part Number	Qty	Description
1	1020967-0001	2	SHROUD: INCLINE LINK, RIGHT
2	1020966-0001	2	SHROUD: INCLINE LINK, LEFT
3	1022635-0001	4	BLOCK: CLAMP, SHAFT, MAIN ROCKER
4	1017155-0001	8	SCREW: M8 X 1.25-6G6G X 45, HKA, SOC, CS, ST, ZC
5	0017-00101-1988	8	SCREW: M6 X 1-6G6G X 12, DIN, SOC, FLT, CS, ST, ZB

Inner and Outer Bridge Shrouds



Ref #	Part Number	Qty	Description
1	1022227-0001	1	ASSEMBLY: SHROUD: BRIDGE, INNER LEFT
2	1022228-0001	1	ASSEMBLY: SHROUD: BRIDGE, INNER RIGHT
3	1022225-0001	1	ASSEMBLY: SHROUD: BRIDGE; OUTER LEFT
4	1022226-0001	1	ASSEMBLY: SHROUD: BRIDGE; OUTER RIGHT
5	1021674-0001	2	PLUG: ACCESS, MOVING HANDLEBAR
6	1002263-0001	14	CLIP: M9.55 X 16.5, FASTENER, SPRING

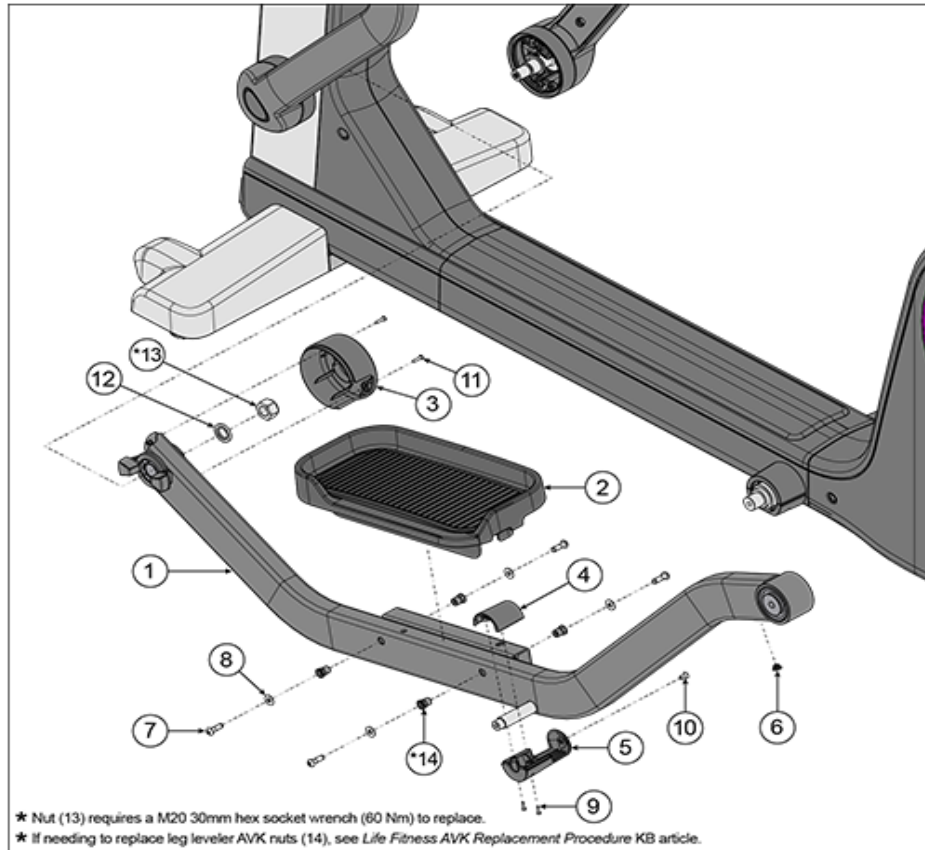
Left Coupler Link and Idler Link Assemblies



Ref #	Part Number	Qty	Description
1	1020340-5301	1	ASSEMBLY: COUPLER LINK, LEFT, CHARCOAL GRAY SMOOTH ROBUST
2	1021032-5301	1	ASSEMBLY: IDLER LINK, LEFT, CHARCOAL GRAY SMOOTH ROBUST
3	1022847-2601	1	ASSEMBLY: STRIDE LINK, LEFT, CHARCOAL GRAY SMOOTH
4	1022920-0001	1	SHROUD ASSY: STRIDE LINK, INNER
5	1022909-0001	1	SHROUD ASSY: STRIDE LINK, OUTER
6	1022837-0001	1	BRACKET: NUT, STRIDE LINK, UPPER
7	1022839-0001	1	BRACKET: NUT, STRIDE LINK, LOWER
8	1022840-0001	1	BRACKET: STRIDE LINK, UPPER
9	1022841-0001	1	BRACKET: STRIDE LINK, LOWER
10	1022314-0001	1	CAP: COUPLER LINK, REAR
11	1022773-0001	1	CAP: COUPLER LINK, FRONT
12	1022315-0001	1	CAP: IDLER LINK
13	1021819-0001	2	PLUG: 9.5MM HOLE
14	1021239-0001	8	SCREW: M10 X 1.5-5G6G X 70, HKA, SOC, CS, C12
15	1023262-0001	1	WASHER: M10 X 38.1 X 9, 30MM, SPC, ST
16	0017-00101-2135	1	SCREW: M10 X 1.50 6G6H X 25, UNS, FLG, CS, ST, ZB
17	1022831-0001	1	WASHER: M8 X 22 X 6, 17MM, SPC, ST
18	0017-00101-2150	1	SCREW: M8 X 1.25 6G6H X 20, UHS, HXW, CS, ST, ZB

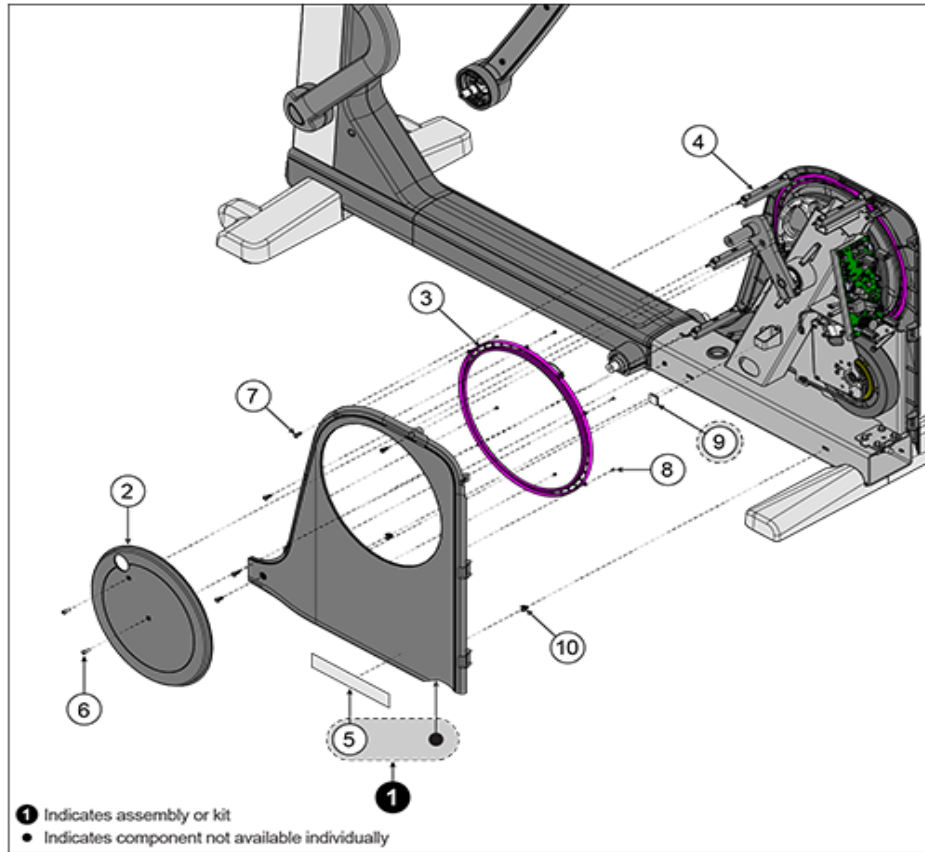
Ref #	Part Number	Qty	Description
19	1020989-0001	1	WASHER: M25 X 35 X 2.5, SPC, ST
20	1009210-0001	2	SCREW: M10 X 1.5 6G X 25 UNS,HEX CAP,ST ZS,PATCH
21	1022781-0001	2	WASHER: M10 X 35 X 11, 25MM, SPC, ST
22	1002263-0001	4	CLIP: M9.55 X 16.5, FASTENER, SPRING

Left Pedal Lever Assembly



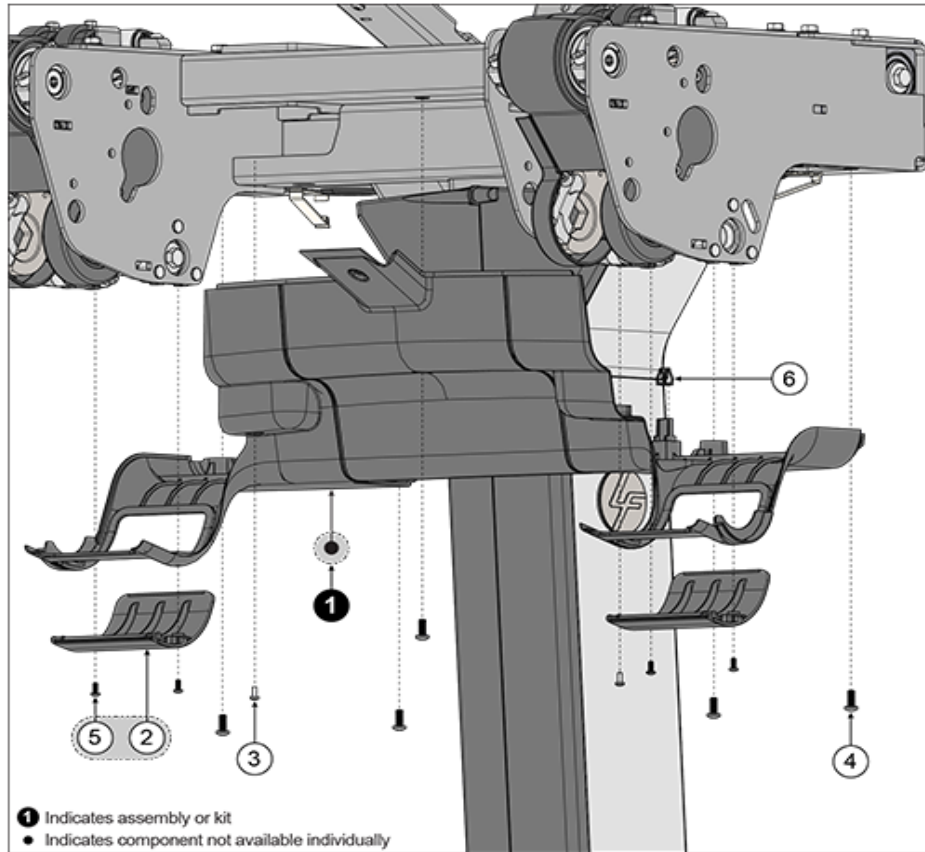
Ref #	Part Number	Qty	Description
1	1022628-5301	1	ASSEMBLY: PEDAL LEVER, LEFT, W/ HARDWARE, CHARCOAL GRAY SMOOTH ROBUST
2	1021538-0001	1	PEDAL: LEFT, FEATURED
3	1022753-0001	1	SHROUD: RDS JOINT, OUTER
4	1023183-0001	1	SHROUD ASSY: COUPLER HUB COVER, TOP
5	1023184-0001	1	SHROUD: COUPLER HUB COVER, BOTTOM
6	1021819-0001	1	PLUG: 9.5MM HOLE
7	0017-00101-1929	4	SCREW: M8 X 1.25-6G6G X 25, DIN, HEX, BUT, CS, ST
8	0017-00104-0510	4	WASHER: M8.4 X 19 X 1.6, DIN, FLAT, ST, ZB
9	1023061-0001	2	SCREW: M3 X 0.5-5G6G X 12, HKA, SOC, CS, ST
10	0017-00101-1988	1	SCREW: M6 X 1-6G6G X 12, DIN, SOC, FLT, CS, ST, ZB
11	0017-00101-1874	2	SCREW: M4 X 0.70-6G6G X 16, ISO, PHL, PAN, MS, ST, ZN
12	1022883-0001	1	WASHER: M20, SHAFT, RDS
13	1022938-0001	1	NUT: M20 X 2.5-6H, LCK, ST
14	0017-00009-1191	4	INSERT: M8 X 6.6, THREADED, HEX

Left Side Motor Shroud



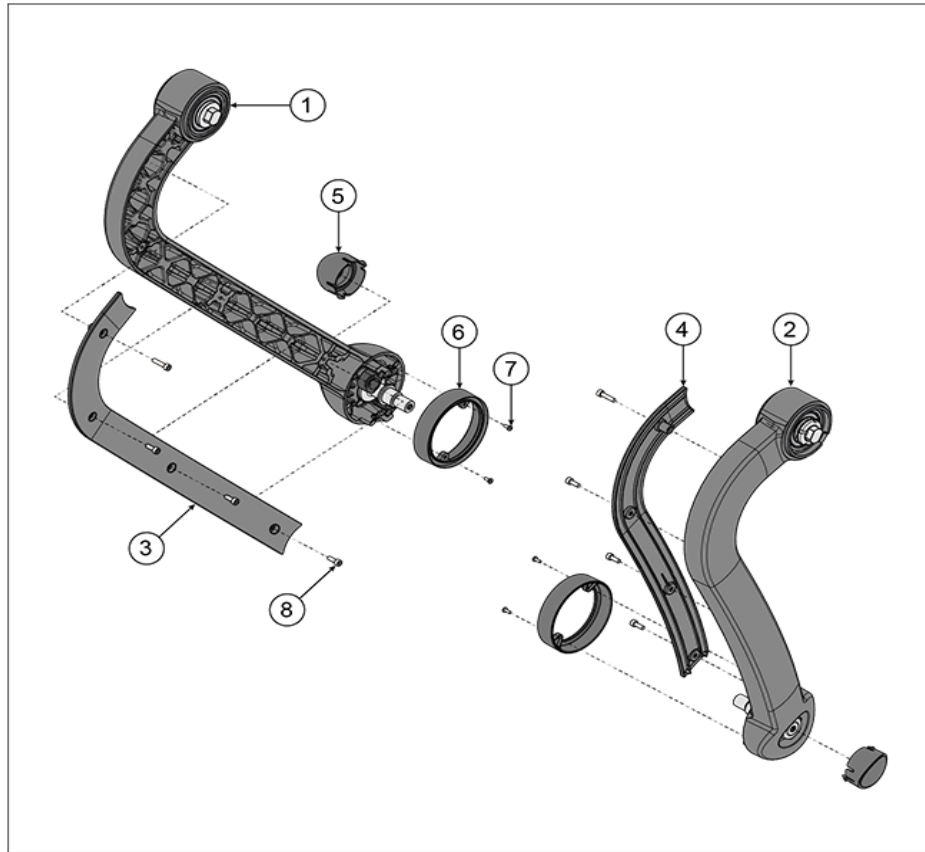
Ref #	Part Number	Qty	Description
1	1026208-0001	1	ASSEMBLY: DRIVE SHROUD WITH DECAL, SYMBIO CROSSTRAINER, LEFT
2	1020745-0001	1	COVER: CRANK ARM
3	1022342-0002	1	ASSEMBLY: LIGHT RING, CROSSTRAINER
4	1021559-0001	4	ASSEMBLY: STRUT BRACKET
5	1020283-0001	1	DECAL: TR EVEREST LIFE FITNESS LOGO
6	1005398-0001	2	SCREW: M6 X 1.0 X 16, DIN, HEX, SOC, CS, ST, BO
7	0017-00101-2138	5	SCREW: M6 X 1.0 X 16, DIN, PHL, PAN, MS, ST, ZB
8	0017-00101-1971	6	SCREW: M3 X 0.5 6G6G X 6, DIN, PHL, PAN, MS, ST, ZN
9	1023107-0001	2	DUAL LOCK PAD: REAR SHROUD LEFT
10	1002263-0001	2	CLIP: M9.55 X 16.5, FASTENER, SPRING

Lower Bridge Shroud



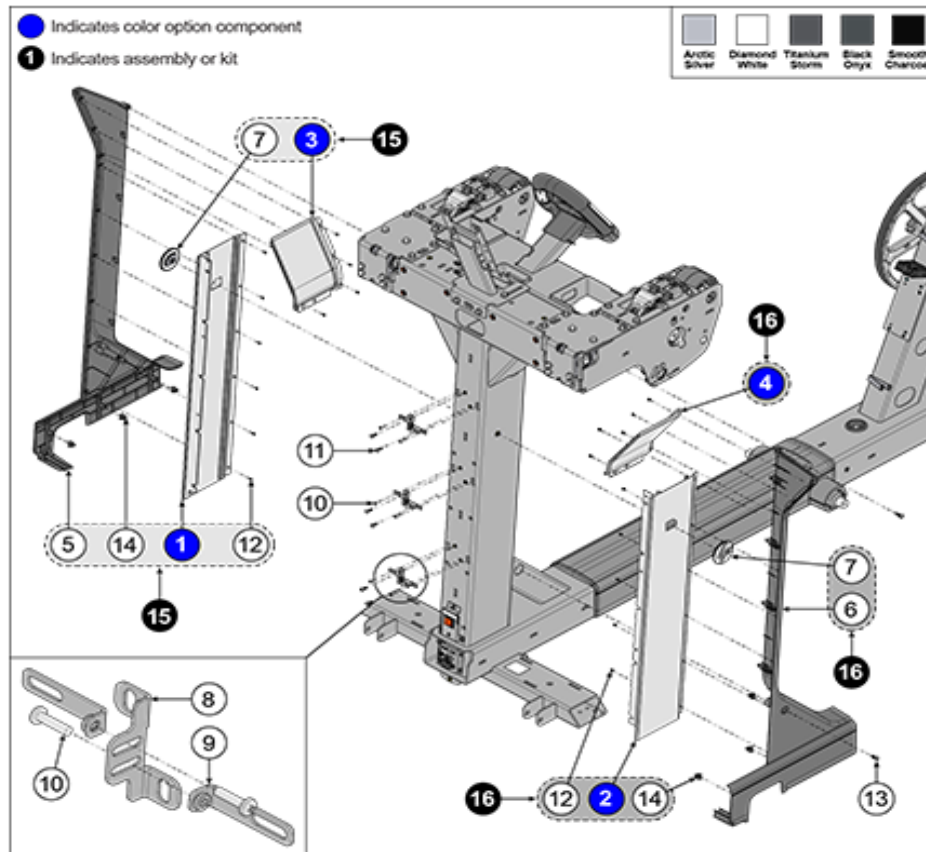
Ref #	Part Number	Qty	Description
1	1026424-0001	1	KIT: LOWER BRIDGE SHROUD REPLACEMENT
2	1022116-0001	2	SHROUD: DOOR; CABLE ACCESS
3	0017-00101-1989	2	SCREW: M4 X 6G6G X 10, PHL, PAN, ST, ZN
4	0017-00101-2138	5	SCREW: M6 X 1.0 X 16, DIN, PHL, PAN, MS, ST, ZB
5	1017559-0001	4	SCREW: M4 X 0.7 X 10, PHL, PH, ST, BZ
6	1002263-0001	2	CLIP: M9.55 X 16.5, FASTENER, SPRING

Main Rocker Arm Assemblies



Ref #	Part Number	Qty	Description
1	1022615-2601	1	ASSEMBLY: MAIN ROCKER, LEFT, CHARCOAL GRAY SMOOTH
2	1022655-2601	1	ASSEMBLY: MAIN ROCKER, RIGHT, CHARCOAL GRAY SMOOTH
3	1022013-0001	1	SHROUD: MAIN ROCKER, LEFT
4	1021986-0001	1	SHROUD: MAIN ROCKER, RIGHT
5	1022750-0001	2	PLUG: MAIN ROCKER; LOWER JOINT
6	1022752-0001	2	SHROUD: RDS JOINT, CENTER
7	0017-00101-1989	4	SCREW: M4 X 6G6G X 10, PHL, PAN, ST, ZN
8	1005398-0001	8	SCREW: M6 X 1.0 X 16, DIN, HEX, SOC, CS, ST, BO

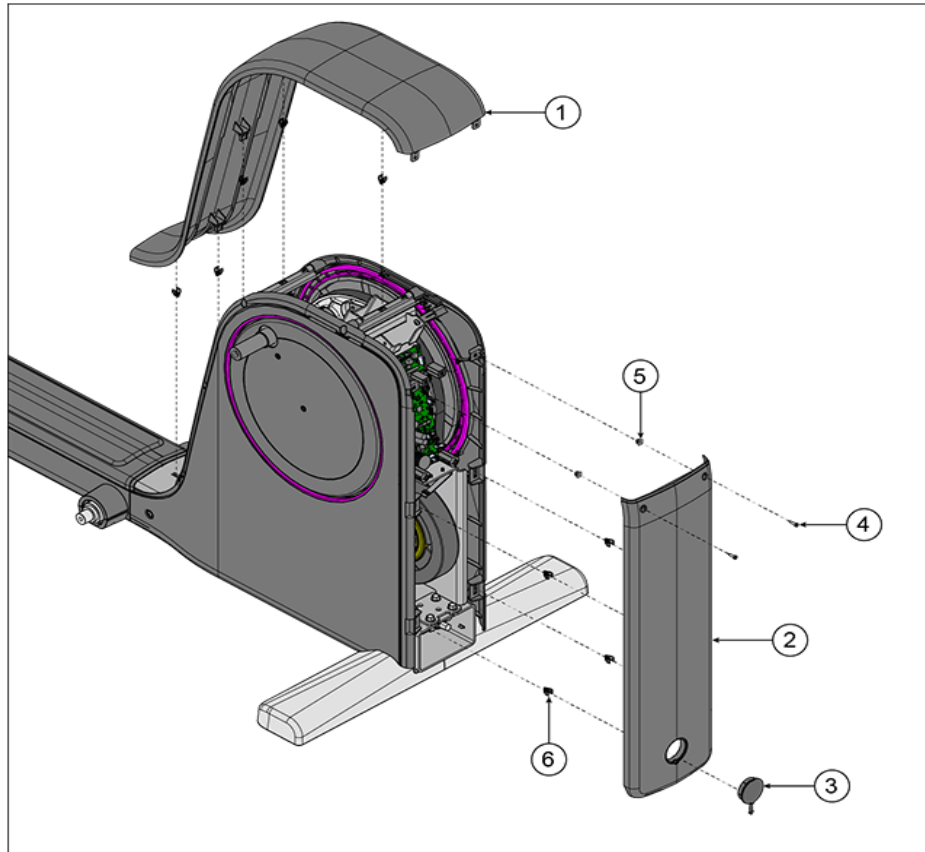
Monocolumn Shrouds and Castings



Ref #	Part Number	Qty	Description
1e	1025607-0101	1	EXTRUSION ASSY: COVER, MONOCOLUMN, RIGHT, ARTIC SILVER
1c	1025607-2201	1	EXTRUSION ASSY: COVER, MONOCOLUMN, RIGHT, TITANIUM
1d	1025607-2101	1	EXTRUSION ASSY: COVER, MONOCOLUMN, RIGHT, PEARLESENT WHITE
1a	1025607-2601	1	EXTRUSION ASSY: COVER, MONOCOLUMN, RIGHT, SMOOTH CHAR GRAY
1b	1025607-2301	1	EXTRUSION ASSY: COVER, MONOCOLUMN, RIGHT, BLACK ONYX
2c	1025608-2201	1	EXTRUSION ASSY: COVER, MONOCOLUMN, LEFT, TITANIUM
2a	1025608-2601	1	EXTRUSION ASSY: COVER, MONOCOLUMN, LEFT, SMOOTH CHAR GRAY
2b	1025608-2301	1	EXTRUSION ASSY: COVER, MONOCOLUMN, LEFT, BLACK ONYX
2e	1025608-0101	1	EXTRUSION ASSY: COVER, MONOCOLUMN, LEFT, ARTIC SILVER
2d	1025608-2101	1	EXTRUSION ASSY: COVER, MONOCOLUMN, LEFT, PEARLESENT WHITE
3b	1021676-2301	1	CASTING: MONOCOLUMN, UPPER RIGHT, BLACK ONYX

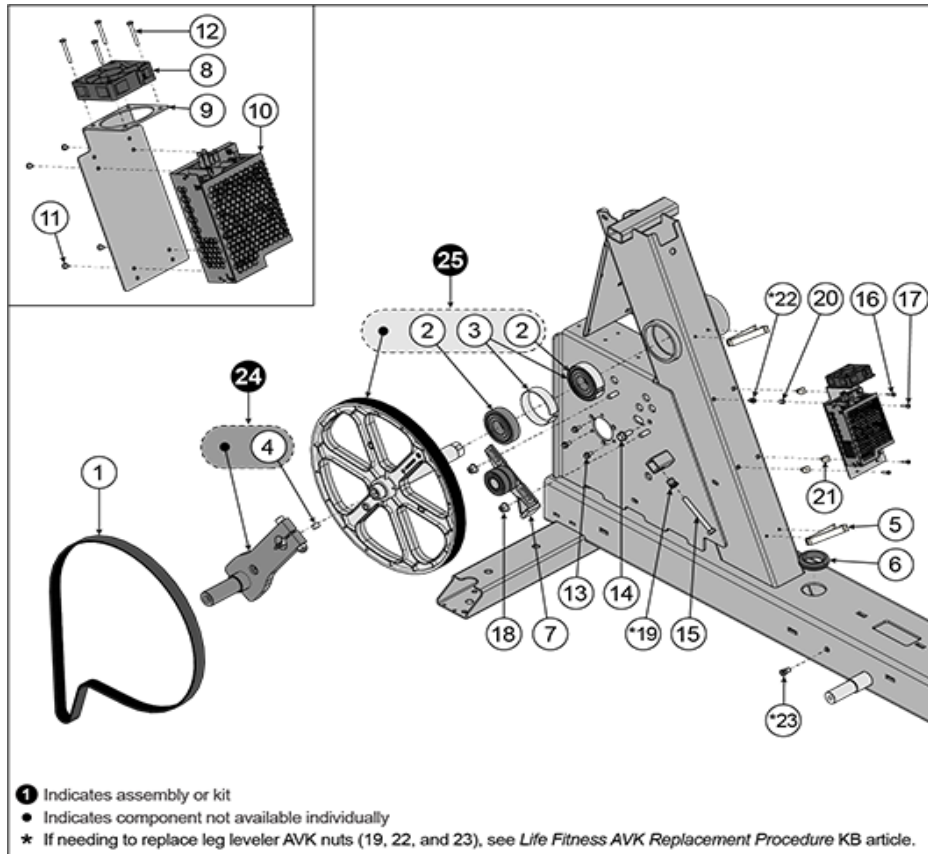
Ref #	Part Number	Qty	Description
3c	1021676-2201	1	CASTING: MONOCOLUMN, UPPER RIGHT, TITANIUM
3d	1021676-2101	1	CASTING: MONOCOLUMN, UPPER RIGHT, PEARLESENT WHITE
3a	1021676-2601	1	CASTING: MONOCOLUMN, UPPER RIGHT, SMOOTH CHAR GRAY
3e	1021676-0101	1	CASTING: MONOCOLUMN, UPPER RIGHT, ARCTIC SILVER
4c	1021675-2201	1	CASTING: MONOCOLUMN, UPPER LEFT, TITANIUM
4e	1021675-0101	1	CASTING: MONOCOLUMN, UPPER LEFT, ARCTIC SILVER
4a	1021675-2601	1	CASTING: MONOCOLUMN, UPPER LEFT, SMOOTH CHAR GRAY
4d	1021675-2101	1	CASTING: MONOCOLUMN, UPPER LEFT, PEARLESENT WHITE
4b	1021675-2301	1	CASTING: MONOCOLUMN, UPPER LEFT, BLACK ONYX
5	1021680-0001	1	ASSEMBLY: SHROUD: MONOCOLUMN, RIGHT
6	1021679-0001	1	ASSEMBLY: SHROUD: MONOCOLUMN, LEFT
7	1019548-0001	2	ASSEMBLY: LF LED BUG
8	1024738-0001	3	SHEET METAL: MONO TUBE SLIDE
9	1024737-0001	6	SHEET METAL ASSY: MONO TUBE L BRACKET
10	0017-00101-1874	12	SCREW: M4 X 0.70-6G6G X 16, ISO, PHL, PAN, MS, ST, ZN
11	0017-00101-1972	6	SCREW: M5 X 0.8 X 14, PHL, PAN, MS, ST, BZ
12	0017-00101-1971	20	SCREW: M3 X 0.5 6G6G X 6, DIN, PHL, PAN, MS, ST, ZN
13	0017-00101-2138	2	SCREW: M6 X 1.0 X 16, DIN, PHL, PAN, MS, ST, ZB
14	1002263-0001	6	CLIP: M9.55 X 16.5, FASTENER, SPRING
15d	1026275-2101	1	ASSEMBLY: MONOCOLUMN SHROUD, SYMBIO CROSSTRAINER, RIGHT, PEARLESENT-WHITE
15a	1026275-2601	1	ASSEMBLY: MONOCOLUMN SHROUD, SYMBIO CROSSTRAINER, RIGHT, MATTE-CHAR-GRAY
15e	1026275-0101	1	ASSEMBLY: MONOCOLUMN SHROUD, SYMBIO CROSSTRAINER, RIGHT, ARCTIC-SILVER
15c	1026275-2201	1	ASSEMBLY: MONOCOLUMN SHROUD, SYMBIO CROSSTRAINER, RIGHT, TITANIUM
15b	1026275-2301	1	ASSEMBLY: MONOCOLUMN SHROUD, SYMBIO CROSSTRAINER, RIGHT, BLACK ONYX
16c	1026274-2201	1	ASSEMBLY: MONOCOLUMN SHROUD, SYMBIO CROSSTRAINER, LEFT, TITANIUM
16d	1026274-2101	1	ASSEMBLY: MONOCOLUMN SHROUD, SYMBIO CROSSTRAINER, LEFT, PEARLESENT-WHITE
16a	1026274-2601	1	ASSEMBLY: MONOCOLUMN SHROUD, SYMBIO CROSSTRAINER, LEFT, MATTE-CHAR-GRAY
16e	1026274-0101	1	ASSEMBLY: MONOCOLUMN SHROUD, SYMBIO CROSSTRAINER, LEFT, ARCTIC-SILVER
16b	1026274-2301	1	ASSEMBLY: MONOCOLUMN SHROUD, SYMBIO CROSSTRAINER, LEFT, BLACK ONYX

Motor Rear and Top Shrouds



Ref #	Part Number	Qty	Description
1	1020834-0001	1	SHROUD ASSY: DRIVE UPPER
2	1021670-0001	1	SHROUD ASSY: DRIVE, REAR
3	1021065-0001	1	PLUG: MOBILITY ACCESS
4	0017-00101-1796	2	SCREW: M4.2 X 0.7 6G6G X 19, DIN, PHL, PAN, AB, ST, ZB
5	0017-00042-1147	2	GROMMET: SCREW, 8 OR 10
6	1002263-0001	9	CLIP: M9.55 X 16.5, FASTENER, SPRING

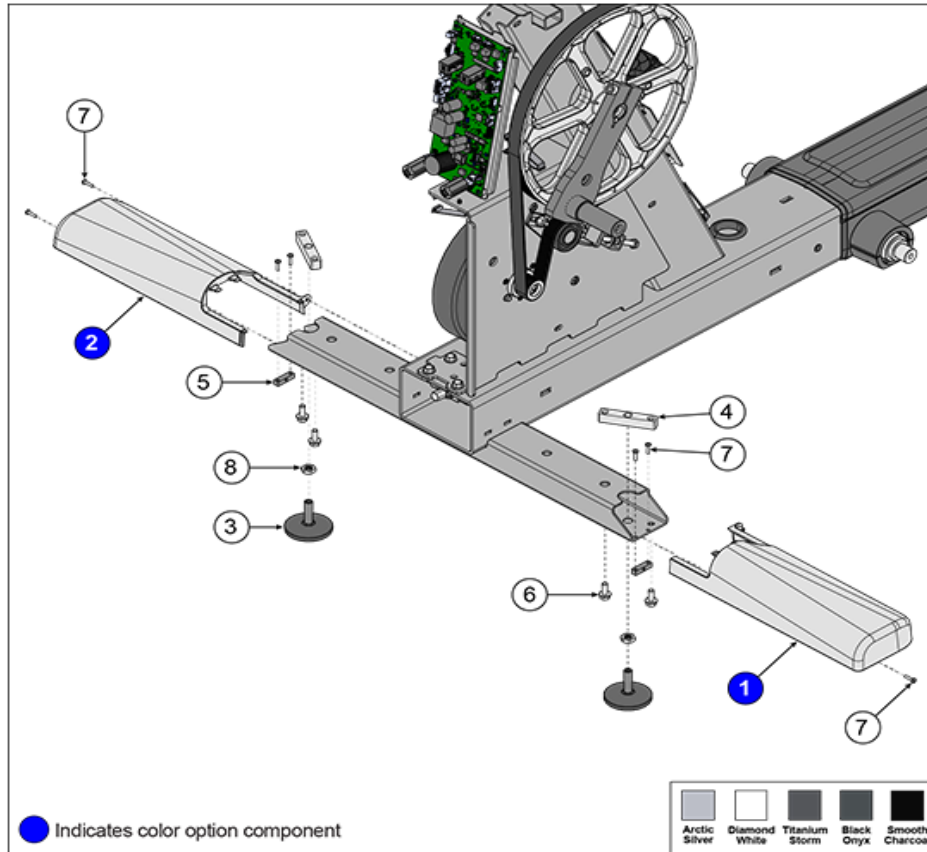
Pulley and Crank Arm



Ref #	Part Number	Qty	Description
1	1002564-0001	1	BELT: POLY-V 550 J10
2	1012808-0001	2	BEARING: M30 X 72, BAL, ST
3	1016062-0001	2	RING: 72M, TOLERANCE
4	1024969-0001	1	KEY: 7 X 8
5	1022804-0001	2	CLIP: FLAT CLAMP, SNAP-IN, HINGED
6	1022345-0001	1	GROMMET: 1-1/2 X 1-3/4 X 9/16, SBR
7	1001619-0001	1	ASSEMBLY: IDLER
8	1019626-0001	1	FAN: 60MM X 60MM X 20MM, 24VDC
9	1020849-0001	1	SHEET METAL ASSY: POWER SUPPLY BRACKET W/ FAN
10	1019393-0001	1	POWER SUPPLY: 24V, 250-300W
11	1023837-0001	4	SCREW: M3 X 0.5-6H6H X 4, PHL, PAN, CS, ST
12	1018311-0001	4	SCREW: M3 X 0.5-6H6H X 25, PHL, PAN, CS, ST.
13	0017-00101-2151	3	SCREW: M5 X 0.8 6G6G X 12, FLANGE, HEAD, CS, G5, CD
14	0017-00101-2150	1	SCREW: M8 X 1.25 6G6H X 20, UHS, HXW, CS, ST, ZB
15	0017-00101-1944	1	SCREW: M8 X 1.25
16	0017-00101-1838	3	SCREW: M3.5 X 1.3 6G6G X 19, PHL, PAN, AB, ST, ZN
17	0017-00101-1874	1	SCREW: M4 X 0.70-6G6G X 16, ISO, PHL, PAN, MS, ST, ZN
18	1003388-0001	2	NUT: M8 X 1.25-6H, DIN, UNF, HEX, LOCKNUT

Ref #	Part Number	Qty	Description
19	0017-00009-1191	1	INSERT: M8 X 6.6, THREADED, HEX
20	1013169-0001	1	SPACER: M5.3 X 8 X 7, ALUMINUM
21	0017-00042-0821	3	GROMMET: SCREW, #6
22	1022832-0001	1	NUT: M4 X 0.7-6H, RIVET, ST, HALF-HEX SHANK
23	0017-00009-1358	1	INSERT: M6 X 6.6, THREADED, HEX
24	1026213-0001	1	KIT: DRIVESHAFT AND BEARING REPLACEMENT, SYMBIO CROSSTRAINER
25	1026271-0001	1	KIT: CRANKARM REPLACEMENT, SYMBIO CROSSTRAINER

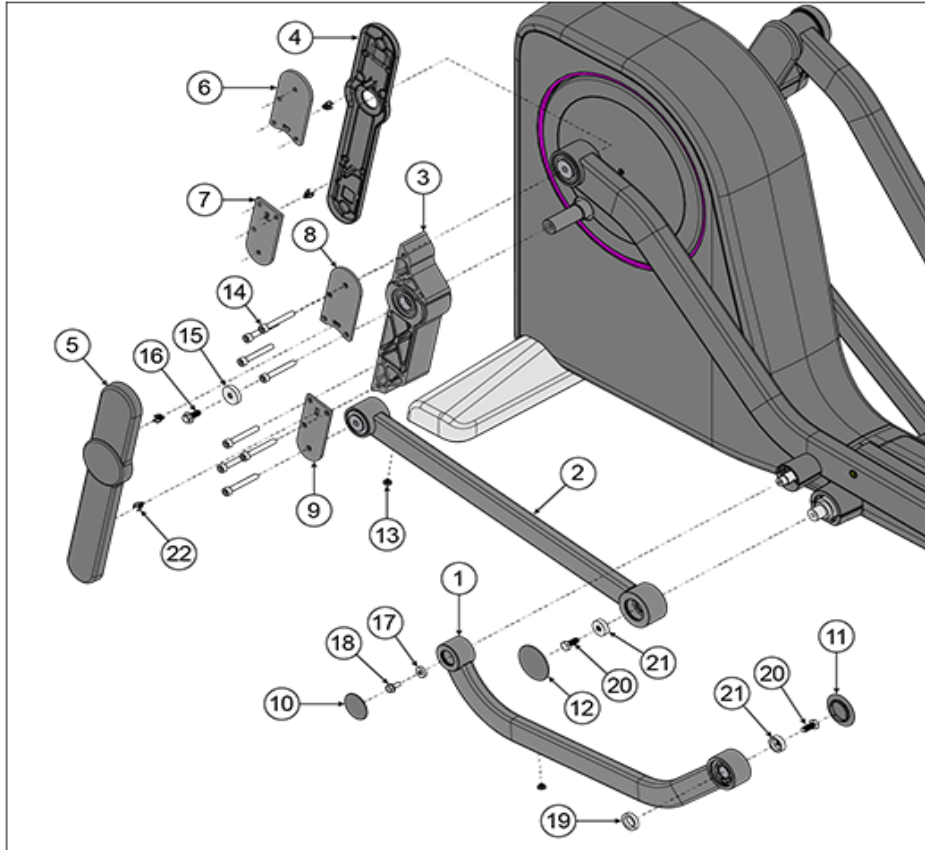
Rear Stabilizer Castings



Ref #	Part Number	Qty	Description
1b	1021654-2301	1	CASTING ASSY: STABILIZER COVER, REAR RIGHT, BLACK ONYX
1a	1021654-2601	1	CASTING ASSY: STABILIZER COVER, REAR RIGHT, MATTE CHAR GRAY
1e	1021654-0101	1	CASTING ASSY: STABILIZER COVER, REAR RIGHT, ARCTIC SILVER
1d	1021654-2101	1	CASTING ASSY: STABILIZER COVER, REAR RIGHT, PEARLESENT WHITE
1c	1021654-2201	1	CASTING ASSY: STABILIZER COVER, REAR RIGHT, TITANIUM
2d	1021101-2101	1	CASTING: STABILIZER COVER; REAR LEFT, PEARLESENT WHITE
2a	1021101-2601	1	CASTING: STABILIZER COVER; REAR LEFT, SMOOTH CHAR GRAY
2b	1021101-2301	1	CASTING: STABILIZER COVER; REAR LEFT, BLACK ONYX
2e	1021101-0101	1	CASTING: STABILIZER COVER; REAR LEFT, ARCTIC SILVER
2c	1021101-2201	1	CASTING: STABILIZER COVER; REAR LEFT, TITANIUM
3	1021522-0001	2	FOOT: LEVELING, M12 X 1.75 THREAD
4	1021105-0001	2	BLOCK: LEVELER

Ref #	Part Number	Qty	Description
5	1021957-0001	2	BLOCK: STABILIZER, SHROUD MOUNT
6	0017-00101-2150	4	SCREW: M8 X 1.25 6G6H X 20, UHS, HXW, CS, ST, ZB
7	0017-00101-1874	7	SCREW: M4 X 0.70-6G6G X 16, ISO, PHL, PAN, MS, ST, ZN
8	1021935-0001	2	NUT: M12 X 1.75-6H JAM, ST

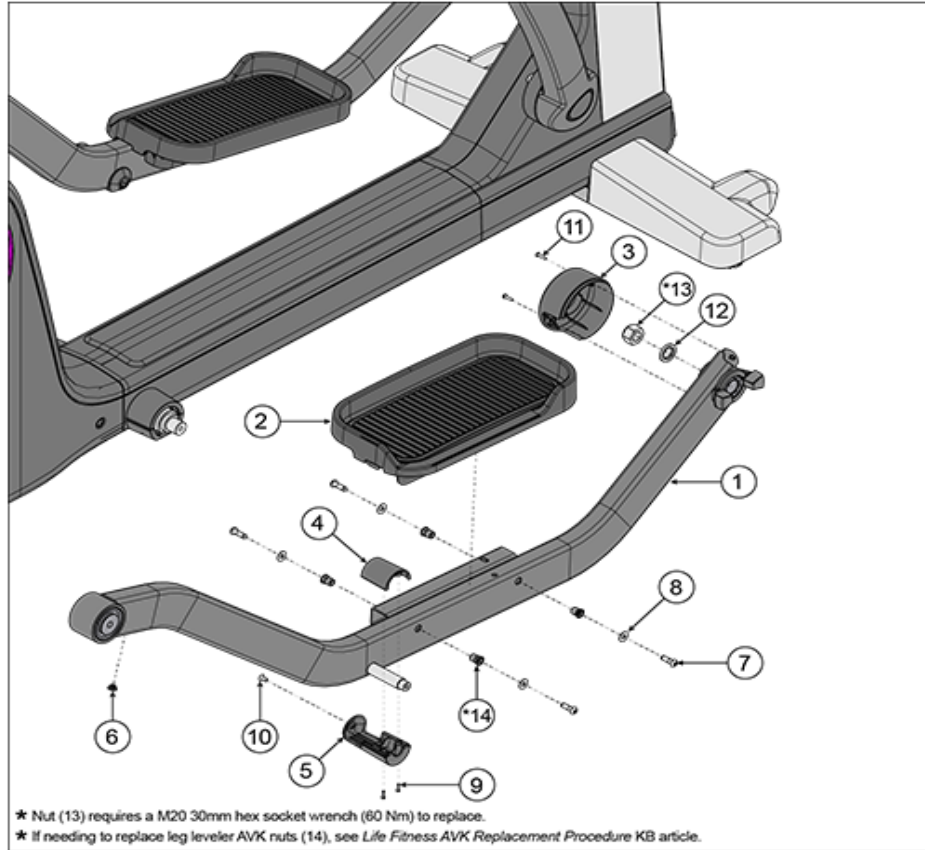
Right Coupler Link and Idler Link Assemblies



Ref #	Part Number	Qty	Description
1	1020341-5301	1	ASSEMBLY: COUPLER LINK, RIGHT, CHARCOAL GRAY SMOOTH ROBUST
2	1022796-5301	1	ASSEMBLY: IDLER LINK, RIGHT, CHARCOAL GRAY SMOOTH ROBUST
3	1022854-2601	1	ASSEMBLY: STRIDE LINK, RIGHT, CHARCOAL GRAY SMOOTH
4	1022920-0001	1	SHROUD ASSY: STRIDE LINK, INNER
5	1022909-0001	1	SHROUD ASSY: STRIDE LINK, OUTER
6	1022837-0001	1	BRACKET: NUT, STRIDE LINK, UPPER
7	1022839-0001	1	BRACKET: NUT, STRIDE LINK, LOWER
8	1022840-0001	1	BRACKET: STRIDE LINK, UPPER
9	1022841-0001	1	BRACKET: STRIDE LINK, LOWER
10	1022314-0001	1	CAP: COUPLER LINK, REAR
11	1022773-0001	1	CAP: COUPLER LINK, FRONT
12	1022315-0001	1	CAP: IDLER LINK
13	1021819-0001	2	PLUG: 9.5MM HOLE
14	1021239-0001	8	SCREW: M10 X 1.5-5G6G X 70, HKA, SOC, CS, C12
15	1023262-0001	1	WASHER: M10 X 38.1 X 9, 30MM, SPC, ST
16	0017-00101-2135	1	SCREW: M10 X 1.50 6G6H X 25, UNS, FLG, CS, ST, ZB
17	1022831-0001	1	WASHER: M8 X 22 X 6, 17MM, SPC, ST
18	0017-00101-2150	1	SCREW: M8 X 1.25 6G6H X 20, UHS, HXW, CS, ST, ZB

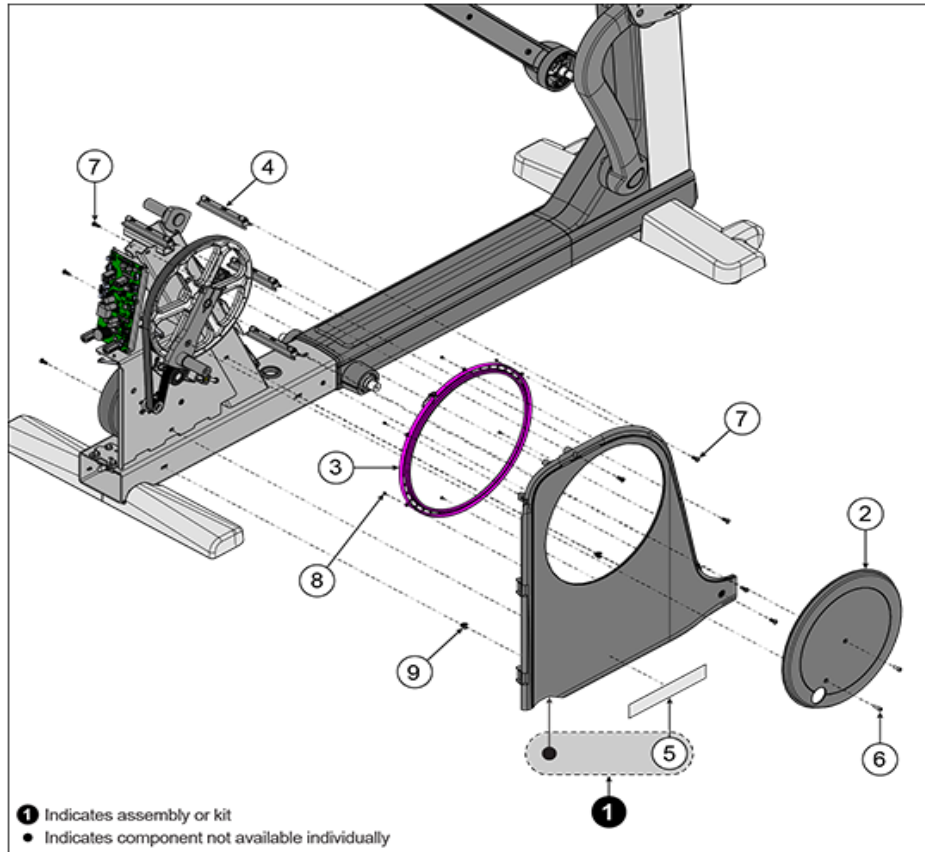
Ref #	Part Number	Qty	Description
19	1020989-0001	1	WASHER: M25 X 35 X 2.5, SPC, ST
20	1009210-0001	2	SCREW: M10 X 1.5 6G X 25 UNS,HEX CAP,ST ZS,PATCH
21	1022781-0001	2	WASHER: M10 X 35 X 11, 25MM, SPC, ST
22	1002263-0001	4	CLIP: M9.55 X 16.5, FASTENER, SPRING

Right Pedal Lever Assembly



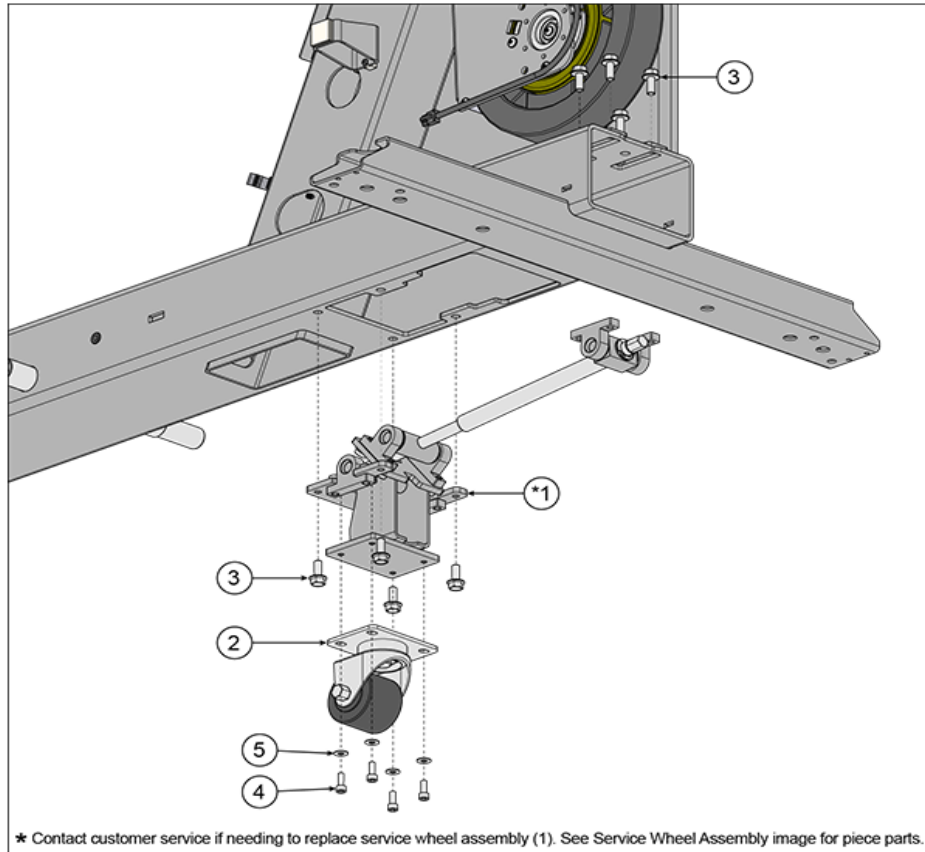
Ref #	Part Number	Qty	Description
1	1022657-5301	1	ASSEMBLY: PEDAL LEVER, RIGHT, W/ HARDWARE, CHARCOAL GRAY SMOOTH ROBUST
2	1021536-0001	1	PEDAL: RIGHT, FEATURED
3	1022753-0001	1	SHROUD: RDS JOINT, OUTER
4	1023183-0001	1	SHROUD ASSY: COUPLER HUB COVER, TOP
5	1023184-0001	1	SHROUD: COUPLER HUB COVER, BOTTOM
6	1021819-0001	1	PLUG: 9.5MM HOLE
7	0017-00101-1929	4	SCREW: M8 X 1.25-6G6G X 25, DIN, HEX, BUT, CS, ST
8	0017-00104-0510	4	WASHER: M8.4 X 19 X 1.6, DIN, FLAT, ST, ZB
9	1023061-0001	2	SCREW: M3 X 0.5-5G6G X 12, HKA, SOC, CS, ST
10	0017-00101-1988	1	SCREW: M6 X 1-6G6G X 12, DIN, SOC, FLT, CS, ST, ZB
11	0017-00101-1874	2	SCREW: M4 X 0.70-6G6G X 16, ISO, PHL, PAN, MS, ST, ZN
12	1022883-0001	1	WASHER: M20, SHAFT, RDS
13	1022938-0001	1	NUT: M20 X 2.5-6H, LCK, ST
14	0017-00009-1191	4	INSERT: M8 X 6.6, THREADED, HEX

Right Side Motor Shroud



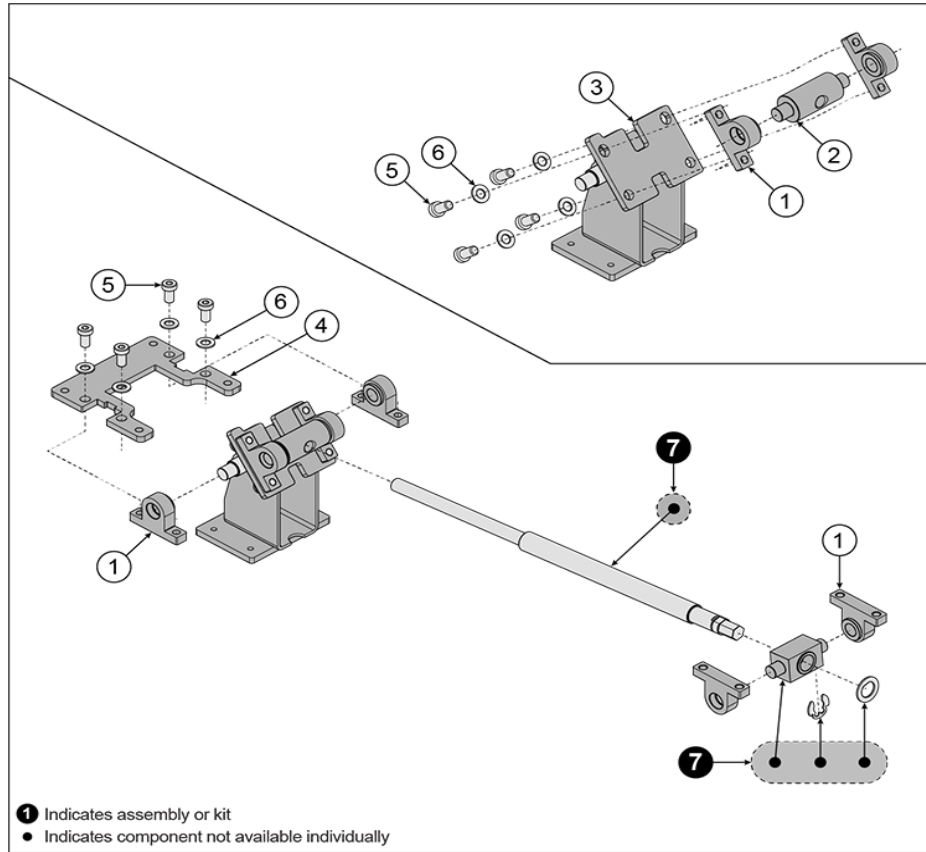
Ref #	Part Number	Qty	Description
1	1026209-0001	1	ASSEMBLY: DRIVE SHROUD WITH DECAL, SYMBIO CROSSTRAINER, RIGHT
2	1020745-0001	1	COVER: CRANK ARM
3	1022342-0002	1	ASSEMBLY: LIGHT RING, CROSSTRAINER
4	1021559-0001	4	ASSEMBLY: STRUT BRACKET
5	1020283-0001	1	DECAL: TR EVEREST LIFE FITNESS LOGO
6	1005398-0001	2	SCREW: M6 X 1.0 X 16, DIN, HEX, SOC, CS, ST, BO
7	0017-00101-2138	8	SCREW: M6 X 1.0 X 16, DIN, PHL, PAN, MS, ST, ZB
8	0017-00101-1971	6	SCREW: M3 X 0.5 6G6G X 6, DIN, PHL, PAN, MS, ST, ZN
9	1002263-0001	2	CLIP: M9.55 X 16.5, FASTENER, SPRING

Service Wheel and Castor



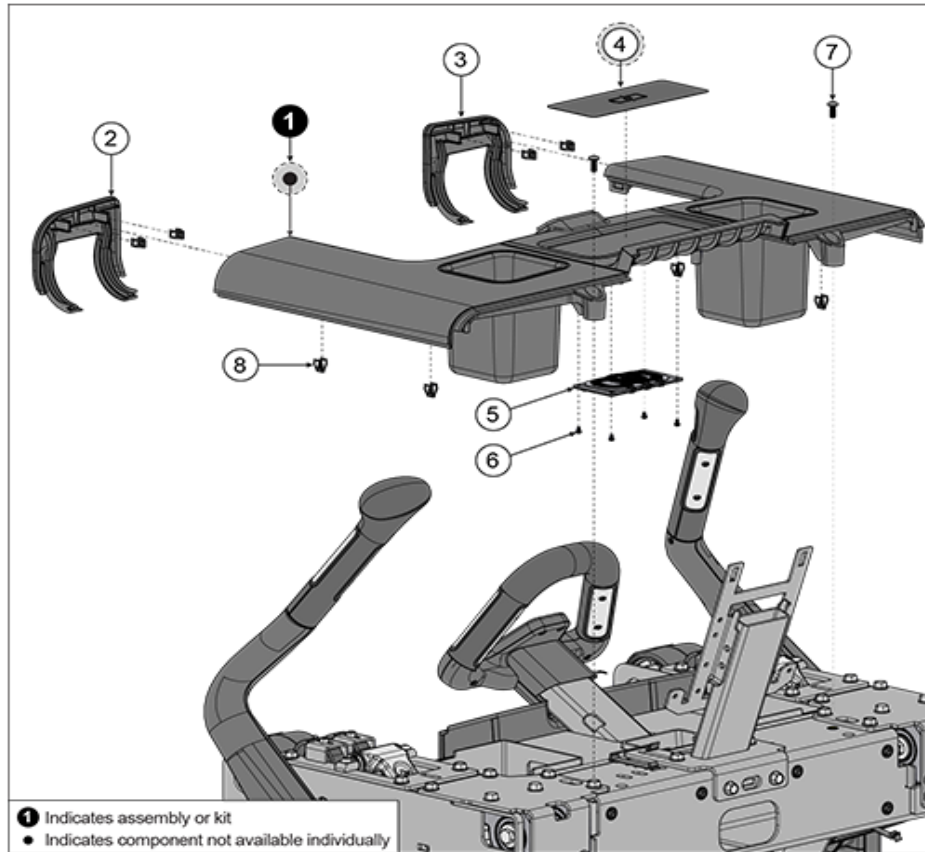
Ref #	Part Number	Qty	Description
1	1021909-0001	1	ASSEMBLY: REAR MOBILITY
2	1024133-0001	1	CASTOR: SWIVEL, SERVICE WHEEL, 130 KG MAX LOAD
3	1005191-0001	8	SCREW: M8 X 1.25 6G6H X 20, UNS, HXW, CS, ST
4	0017-00104-0072	4	WASHER: 0.255 X 0.562 X 0.046, FLAT, ST, ZN
5	1005398-0001	4	SCREW: M6 X 1.0 X 16, DIN, HEX, SOC, CS, ST, BO
6	1026861-0701	1	SHEET METAL: REAR MOBILITY, SWIVEL CASTER LOCK, BLACK

Service Wheel Assembly



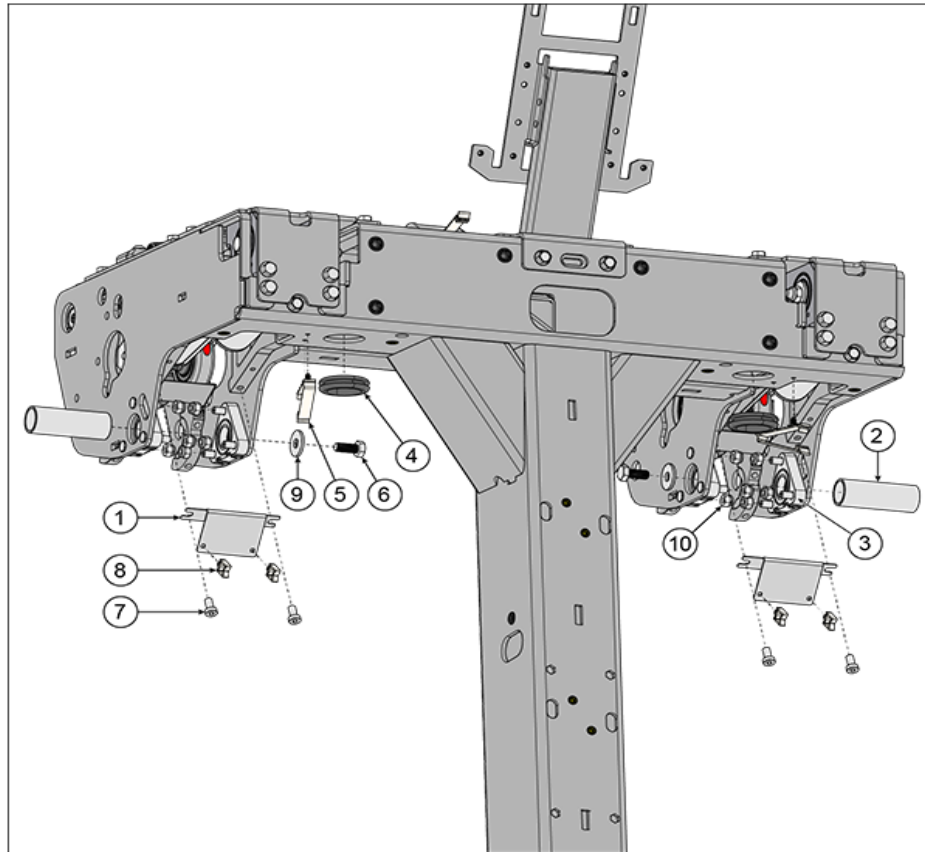
Ref #	Part Number	Qty	Description
1	1025009-0001	6	ASSEMBLY: REAR MOBILITY, PILLOW BLOCK
2	1021908-0001	1	SHAFT: REAR MOBILITY, LEAD SCREW NUT
3	1023159-0001	1	WELDMENT: REAR MOBILITY, MOUNT
4	1021905-0001	1	PLATE: REAR MOBILITY, MOUNTING
5	1021564-0001	8	SCREW: M8 X 1.25-6G6G X 16, LOW HD, HKA, SOC, CS, C10
6	0017-00104-0469	8	WASHER: M8.4 X 16.0 X 1.6, DIN, FLAT, ST, ZB
7	1027140-0001	1	KIT: REAR MOBILITY DRIVE SHAFT REPLACEMENT

Top Bridge Shroud



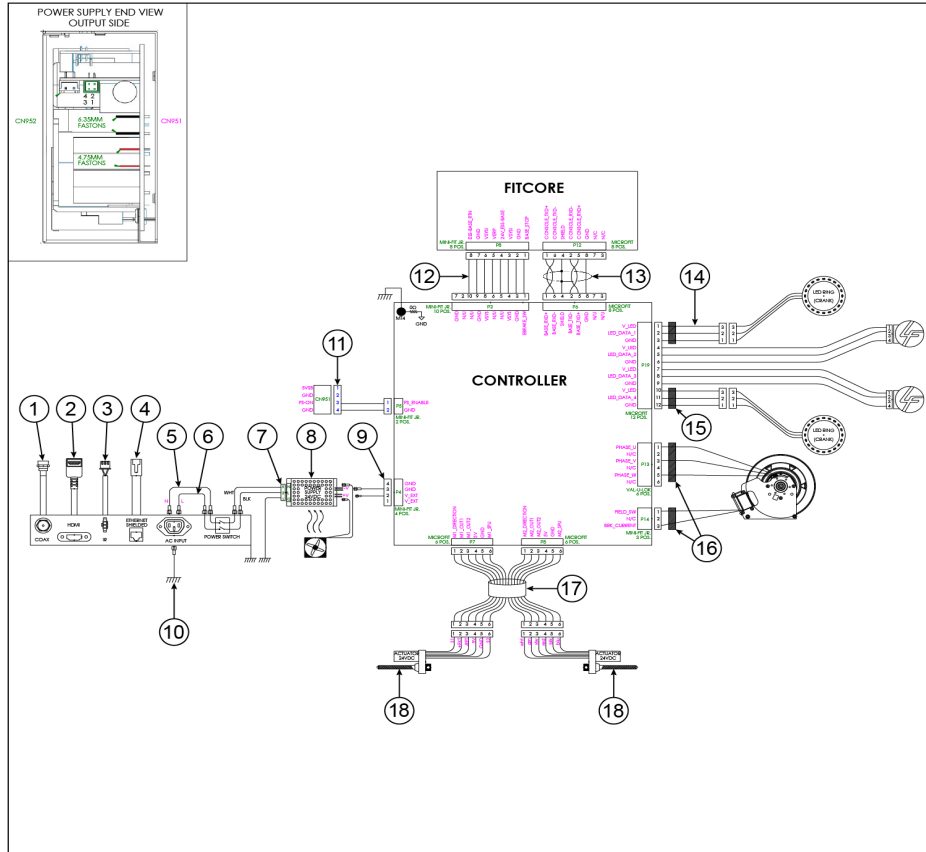
Ref #	Part Number	Qty	Description
1	1026207-0001	1	ASSEMBLY: TOP SHROUD WITH PAD, SYMBIO CROSSTRAINER
2	1022230-0001	1	SHROUD ASSY: BRIDGE, ENDCAP, RIGHT
3	1022229-0001	1	SHROUD ASSY: BRIDGE, ENDCAP, LEFT
4	1022238-0001	1	PAD ASSY: WIRELESS CHARGER
5	1011883-0001	1	PCB ASSY: SE4, WIRELESS CHARGER
6	0017-00101-2117	4	M3 X .5 X 6 PHL PAN EXT WSHR
7	0017-00101-2138	2	SCREW: M6 X 1.0 X 16, DIN, PHL, PAN, MS, ST, ZB
8	1002263-0001	8	CLIP: M9.55 X 16.5, FASTENER, SPRING

Under Bridge Components



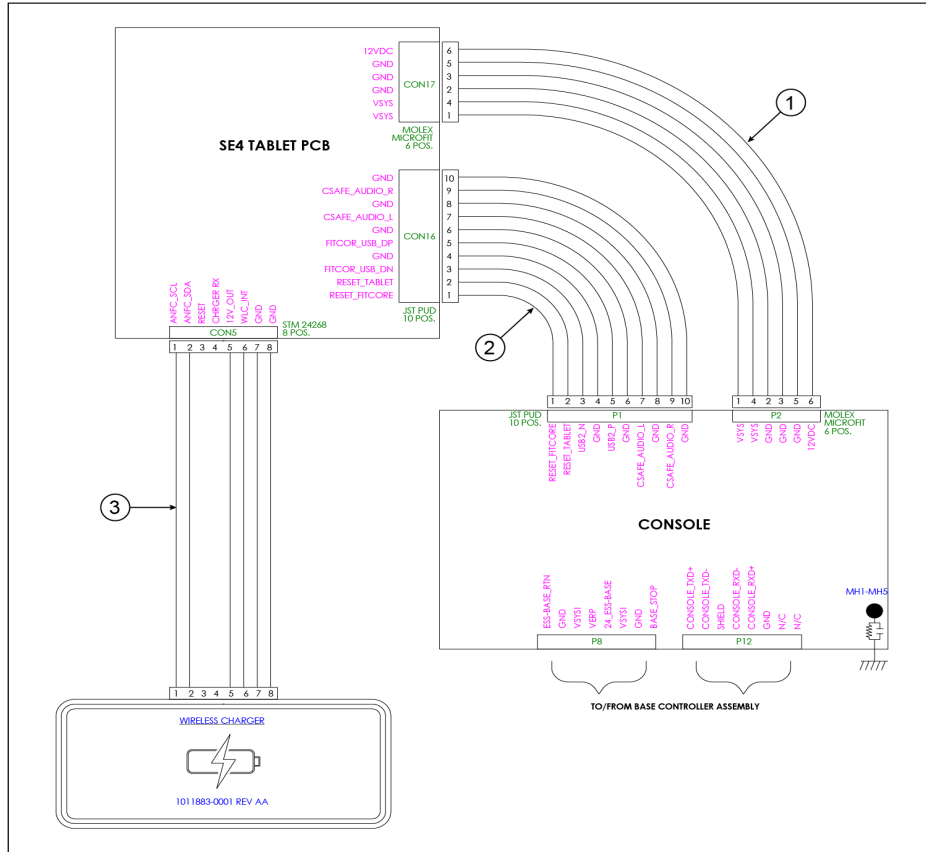
Ref #	Part Number	Qty	Description
1	1022553-0001	2	SHEET METAL: UNDER BRIDGE CABLING BRACKET
2	1020937-0001	2	SPACER: M26.2 X 31.75 X 88.41, STD, HANDLEBAR ROCKER
3	1020940-0001	4	ASSEMBLY: HANDLEBAR, TRIANGLE BEARING BLOCK
4	1022345-0001	2	GROMMET: 1-1/2 X 1-3/4 X 9/16, SBR
5	1022804-0001	2	CLIP: FLAT CLAMP, SNAP-IN, HINGED
6	1009210-0001	2	SCREW: M10 X 1.5 6G X 25 UNS, HEX CAP, ST ZS, PATCH
7	1021564-0001	4	SCREW: M8 X 1.25-6G6G X 16, LOW HD, HKA, SOC, CS, C10
8	1023571-0001	4	CLIP: CABLE HOLDER, PUSH-IN
9	1021055-0001	2	WASHER: M10 X 31 X 3, SPC, ST
10	0017-00103-0333	12	NUT: M8 X 1.25-6H6H, DIN, LOCKING, ST, ZN

Wiring Diagram - Base



Ref #	Part Number	Qty	Description
1	AK65-00062-0002	1	COAX ASSY: RG6; BASE; V2
2	1001653-0003	1	CABLE ASSY: HDMI, PANEL MOUNT, RIGHT, 1700MM
3	1001671-0003	1	CABLE: IR, CONSOLE TO PANEL, 1700MM
4	AK70-00092-0004	1	CABLE ASSY: CAT5E, V2, 63.5 INCH
5	1004046-0003	1	CABLE: POWER INPUT, WHITE, 205MM
6	1004046-0004	1	CABLE: POWER INPUT, BLACK, 205MM
7	1022727-0001	1	CABLE: AC INPUT TO POWER SUPPLY LINECORD
8	1019393-0001	1	POWER SUPPLY: 24V, 250-300W
9	1022728-0001	1	CABLE: POWER SUPPLY TO PNC
10	1022724-0001	1	CABLE: GROUND, 155MM
11	1022729-0001	1	CABLE: ERP CABLE TO PNC
12	1021196-0005	1	CABLE: CONSOLE TO BASE, POWER, 4030MM
13	1020718-0005	1	CABLE: BASE CONSOLE COMM, 4030MM
14	1020720-0003	1	CABLE: BASE LIGHTING,CT
15	1025101-0001	2	FERRITE: ROUND CABLE (0443164251) 43 CORE
16	1024147-0001	2	FERRITE: ROUND CABLE SNAP-IT, 10MHz-100MHz
17	1022730-0001	1	CABLE: ACTUATOR EXTENSION CABLE
18	1021883-0001	2	ACTUATOR: LINEAR, DC, CUSTOM TA16

Wiring Diagram - Console to Wireless Charger



Ref #	Part Number	Qty	Description
1	1014283-0001	1	CABLE: POWER VSYS FITCORE TO TABLET 12-24V
2	1014282-0001	1	CABLE: USB RNDIS COMM TABLET & FITCORE
3	1014289-0004	1	CABLE ASSY: WIRELESS CHARGER, 12V & UART

