

# ARABIC Symbio Home Runner Charcoal Base UKH

PCSPT-CHRUKH-01AR

## Parts Manual

5/6/2025 11:48:19 AM



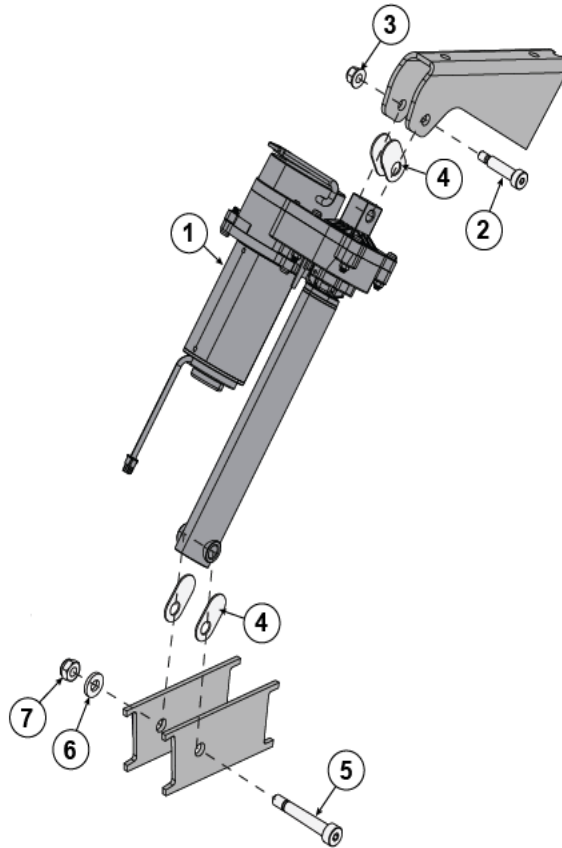
**LifeFitness**  
WHAT WE LIVE FOR

## Table of Contents

---

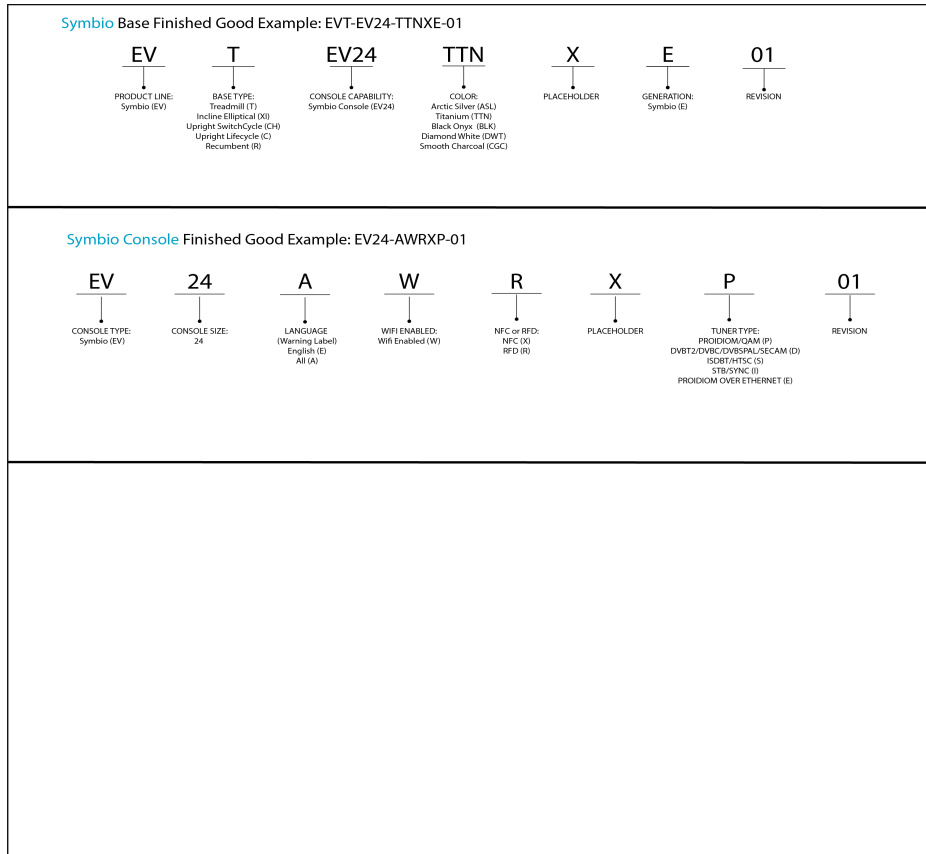
<a href="#">Actuator.....</a>	3
<a href="#">A Legend Description.....</a>	4
<a href="#">Base Frame Electronics.....</a>	5
<a href="#">Base Wiring Diagram.....</a>	7
<a href="#">Bridge and Bridge Shrouds.....</a>	9
<a href="#">Console Mount and Console Rear Shroud.....</a>	11
<a href="#">Console Tablet Board External Connections.....</a>	12
<a href="#">Control Panel, Bullhorns and E-STOP.....</a>	13
<a href="#">Deck Stiffness and Running Metrics.....</a>	15
<a href="#">Deck, Motor and Rollers.....</a>	17
<a href="#">Hardware Kit.....</a>	18
<a href="#">Left Upright.....</a>	19
<a href="#">Leveling Feet.....</a>	21
<a href="#">Lift Frame and Com Port.....</a>	22
<a href="#">Power Cords.....</a>	24
<a href="#">Right Upright.....</a>	25
<a href="#">Service Wheel.....</a>	27
<a href="#">Side Shrouds.....</a>	28
<a href="#">Top Steps.....</a>	30
<a href="#">Upper Assembly Wiring Diagram.....</a>	31

## Actuator



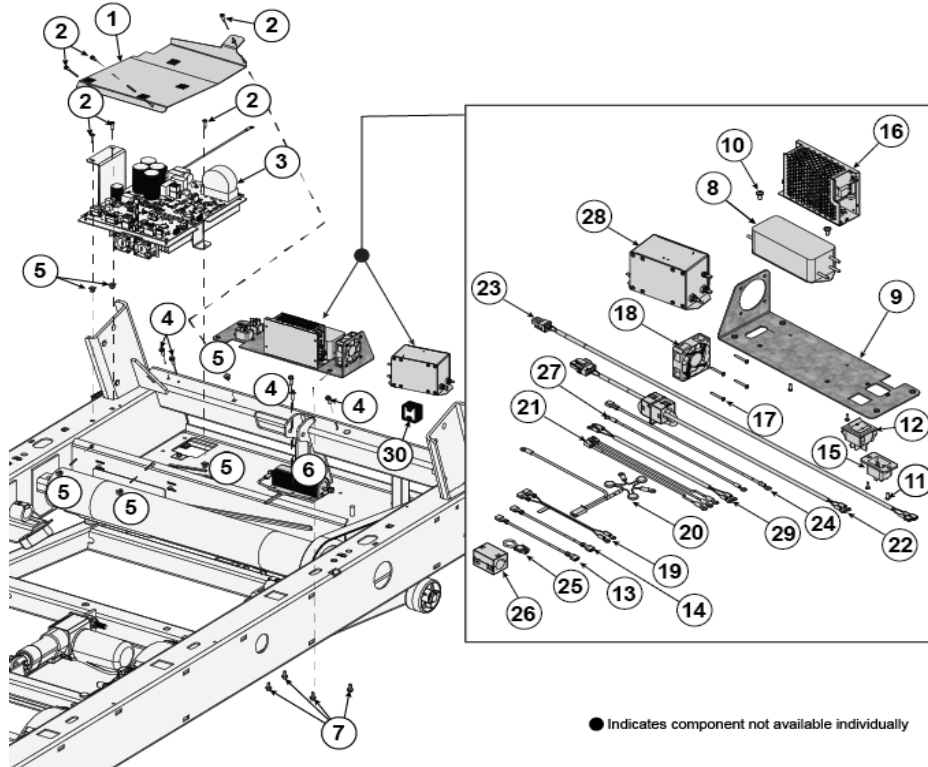
Ref #	Part Number	Qty	Description
1	1016914-0001	1	ACTUATOR: LINEAR
2	1025073-0001	1	SCREW: M8 X 1.25 X 35, 10MM DIA, SHL
3	1003388-0001	1	NUT: M8 X 1.25-6H, DIN, UNF, HEX, LOCKNUT
4	1001392-0001	4	WASHER: EZ GRIP
5	1026816-0001	1	SCREW: M10 X 1.50 X 55, 12MM DIA, SHL
6	0017-00104-0263	1	WASHER: 0.406 X 0.875 X 0.125, FL, ST
7	0017-00103-0334	1	NUT: M10 X 1.50-6H6H, DIN, LOCKNUT, ST, ZB

# A Legend Description



Ref #	Part Number	Qty	Description
-	LEGEND_DESCRIP TION	1	LEGEND DESCRIPTION

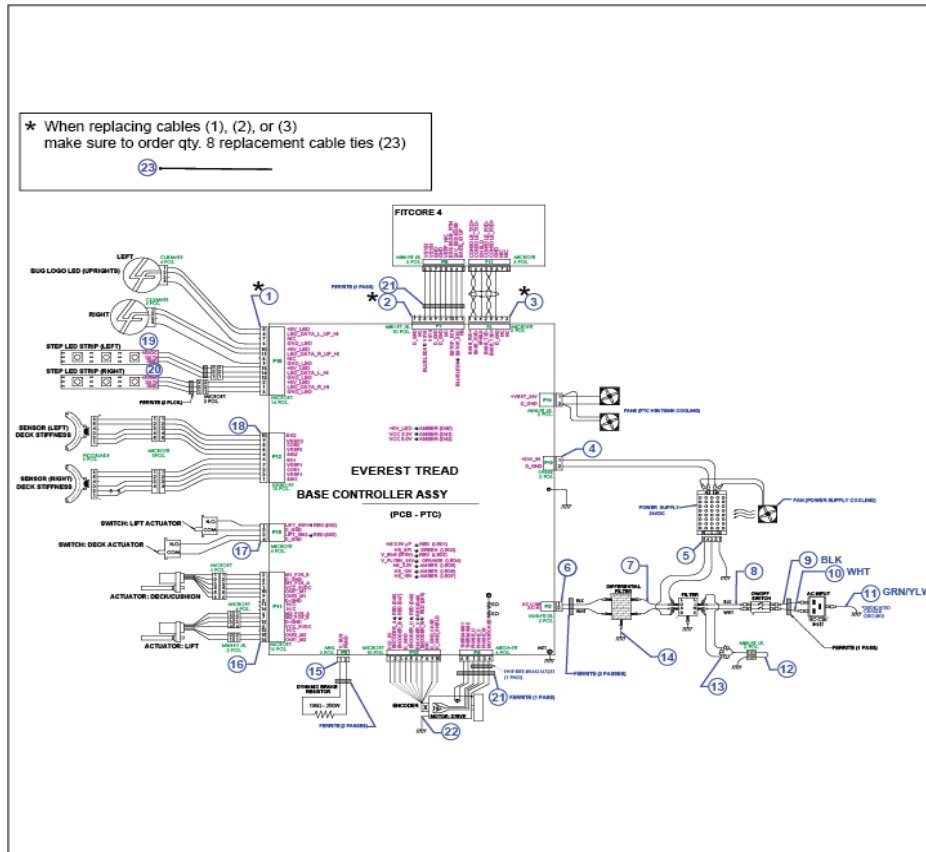
## Base Frame Electronics



Ref #	Part Number	Qty	Description
1	1020291-0001	1	ASSEMBLY: PTC COVER, FOAM PAD
2	0017-00101-1796	6	SCREW: M4.2 X 0.7 6G6G X 19, DIN, PHL, PAN, AB, ST, ZB
3	1018090-0001	1	ASSEMBLY: PTC BOARD, HEAT SINK
4	0017-00101-1961	7	SCREW: M5 X 0.8 X 16, SLT, HXF, TT, ST, ZS
5	0017-00042-1147	6	GROMMET: SCREW, 8 OR 10
6	1023193-0001	1	RESISTOR ASSY: 250W, 100 OHM, 5%, M6 STUDS
7	0017-00101-2151	4	SCREW: M5 X 0.8 6G6G X 12, FLANGE, HEAD, CS, G5, CD
8	1010290-0001	1	FILTER: LINE, 25A, 250VAC
9	1018206-0001	1	SHEET METAL: POWER INTAKE BRACKET
10	1018223-0001	2	SCREW: M5 X 0.8-6H6H X 10, PHL, PAN, CS, ST.
11	1018229-0001	4	SCREW: M3 X 0.5-6H6H X 10, PHL, PAN, CS, ST.
12	0017-00032-0198	1	SWITCH: POWER, DPST ROCKER
13	1004046-0002	1	CABLE: POWER INPUT, BLACK, 125MM
14	1004046-0001	1	CABLE: POWER INPUT, WHITE, 125MM
15	0017-00003-0949	1	RECEPTACLE: IEC, SIDE, FLANGE
16	1019393-0001	1	POWER SUPPLY: 24V, 250-300W
17	1018311-0001	4	SCREW: M3 X 0.5-6H6H X 25, PHL, PAN, CS, ST.
18	1019626-0001	1	FAN: 60MM X 60MM X 20MM, 24VDC
19	1020541-0001	1	CABLE ASSY: ON-OFF SWITCH TO FILTER

Ref #	Part Number	Qty	Description
20	1020540-0001	1	CABLE ASSY: MOV, FILTER
21	1020824-0001	1	CABLE ASSY: POWER SUPPLY, LINE FILTER
22	1020613-0001	1	CABLE ASSY: FILTER TO AC LINE
23	1020542-0001	1	CABLE ASSY: POWER SUPPLY TO PTC
24	1004201-0001	1	CABLE: GROUND
25	AK58-00263-0000	1	CABLE ASSY: HI-POT, JUMPER
26	121E-00001-0023	1	FERRITE: SUPPRESSION, CORE-CASE
27	1021514-0002	1	CABLE: GROUND, 250MM
28	1023531-0001	1	FILTER: DIFFERENTIAL MODE, 25A, 250VAC
29	1023826-0001	1	CABLE ASSY: LINE FILTER TO DIFFERENTIAL FILTER
30	1024486-0001	1	FERRITE-BEAD: SUPPRESSION, 225OHM-100MHZ

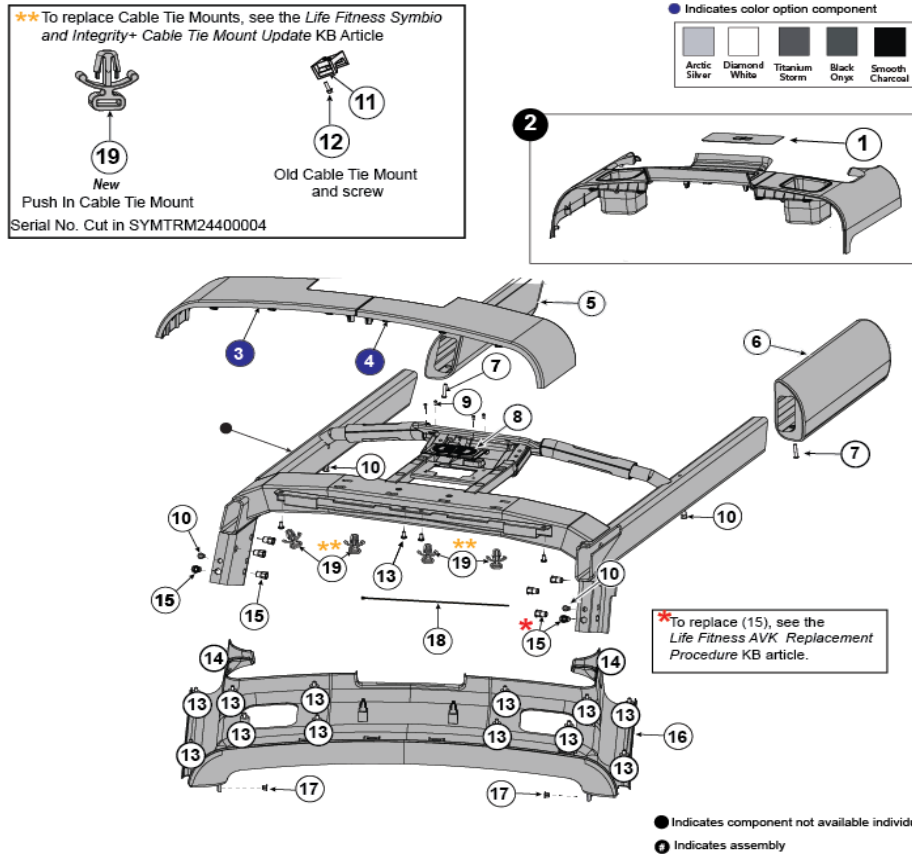
# Base Wiring Diagram



Ref #	Part Number	Qty	Description
1	1020644-0001	1	CABLE ASSY: DECK LIGHTING
2	1021196-0004	1	CABLE ASSY: CONSOLE TO BASE, POWER, TREAD
3	1020718-0004	1	CABLE: BASE CONSOLE COMM, 2040MM
4	1020542-0001	1	CABLE ASSY: POWER SUPPLY TO PTC
5	1020824-0001	1	CABLE ASSY: POWER SUPPLY, LINE FILTER
6	1020613-0001	1	CABLE ASSY: FILTER TO AC LINE
7	1023826-0001	1	CABLE ASSY: LINE FILTER TO DIFFERENTIAL FILTER
8	1020541-0001	1	CABLE ASSY: ON-OFF SWITCH TO FILTER
9	1004046-0002	1	CABLE: POWER INPUT, BLACK, 125MM
10	1004046-0001	1	CABLE: POWER INPUT, WHITE, 125MM
11	1004201-0001	1	CABLE: GROUND
12	AK58-00263-0000	1	CABLE ASSY: HI-POT, JUMPER
13	1020540-0001	1	CABLE ASSY: MOV, FILTER
14	1021514-0002	1	CABLE: GROUND, 250MM
15	1023193-0001	1	RESISTOR ASSY: 250W, 100 OHM, 5%, M6 STUDS
16	1020539-0001	1	CABLE ASSY: ACTUATOR CUSHION-LIFT
17	1020543-0001	1	CABLE ASSY: ZERO HOME SWITCH
18	1020823-0001	1	CABLE ASSY: PTC, RUNNING METRICS
19	1020631-0002	1	CABLE ASSY: LED STRIP, TOP STEP, LEFT
20	1020631-0001	1	CABLE ASSY: LED STRIP, TOP STEP, RIGHT
21	121E-00001-0010	2	FERRITE-BEAD: SUPPRESSION B

<b>Ref #</b>	<b>Part Number</b>	<b>Qty</b>	<b>Description</b>
22	1022724-0001	1	CABLE: GROUND, 155MM
23	0017-00042-0772	8	CABLE TIE: L-15.000 INCH

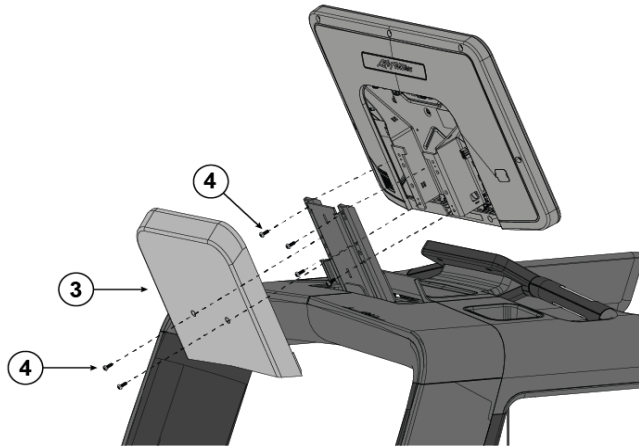
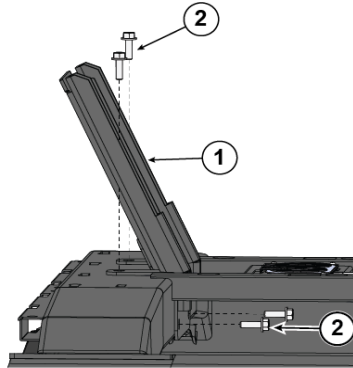
## Bridge and Bridge Shrouds



Ref #	Part Number	Qty	Description
1	1018872-0001	1	PAD ASSY: WIRELESS CHARGER, ADHESIVE
2	1025551-0001	1	ASSEMBLY: TOP BRIDGE SHROUD, W/CHARGING PAD
3c	1020424-2201	1	CASTING ASSY: BRIDGE, TOP, RIGHT, TITANIUM
3d	1020424-2301	1	CASTING ASSY: BRIDGE, TOP, RIGHT, BLACK ONYX
3e	1020424-2601	1	CASTING ASSY: BRIDGE, TOP, RIGHT, SMOOTH CHAR GRAY
3a	1020424-0101	1	CASTING ASSY: BRIDGE, TOP, RIGHT, ARCTIC SILVER
3b	1020424-2101	1	CASTING ASSY: BRIDGE, TOP, RIGHT, PEARLESENT WHITE
4a	1020429-0101	1	CASTING ASSY: BRIDGE, TOP, LEFT, ARCTIC SILVER
4b	1020429-2101	1	CASTING ASSY: BRIDGE, TOP, LEFT, PEARLESENT WHITE
4c	1020429-2201	1	CASTING ASSY: BRIDGE, TOP, LEFT, TITANIUM
4d	1020429-2301	1	CASTING ASSY: BRIDGE, TOP, LEFT, BLACK ONYX
4e	1020429-2601	1	CASTING ASSY: BRIDGE, TOP, LEFT, SMOOTH CHAR GRAY
5	1018844-0001	1	ARM: USER, RIGHT
6	1018846-0001	1	ARM: USER, LEFT
7	1018757-0001	2	SCREW: M6 X 1 X 30, HXS, SOC, BLT, CS
8	1011883-0001	1	PCB ASSY: SE4, WIRELESS CHARGER
9	1015870-0001	4	SCREW: M3 X.5 X8, PHL, PAN, ST, BZ

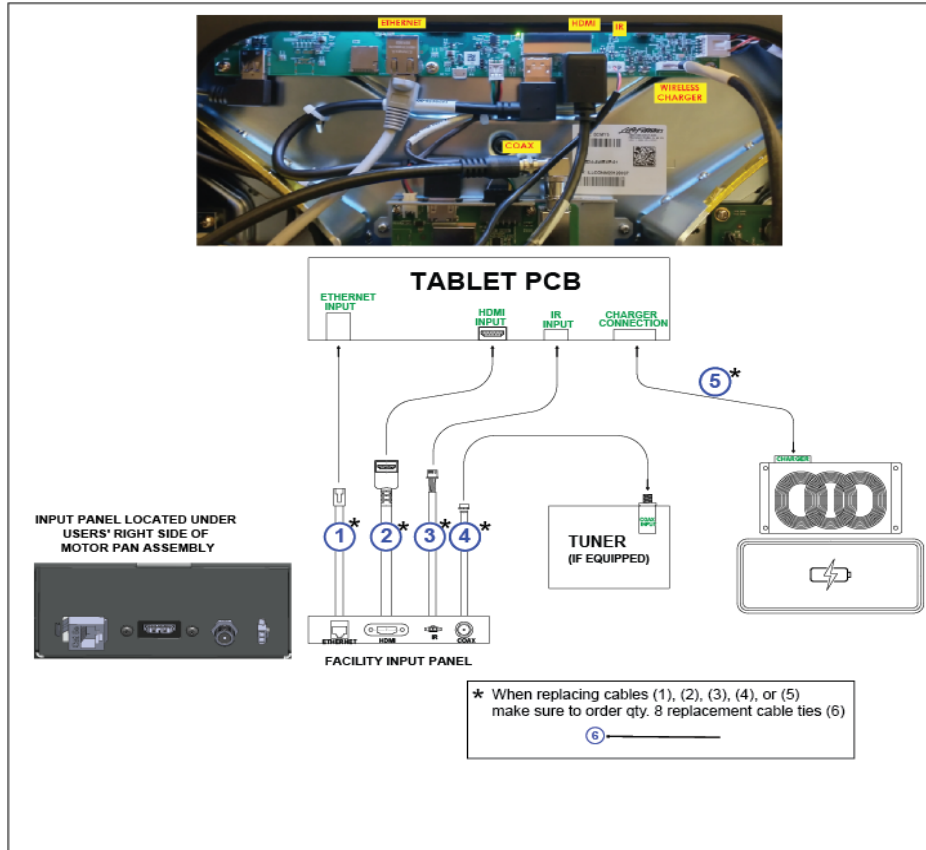
Ref #	Part Number	Qty	Description
10	0017-00009-1358	4	INSERT: M6 X 6.6, THREADED, HEX
11	1019763-0001	4	MOUNT: CABLE TIE
12	0017-00101-1961	4	SCREW: M5 X 0.8 X 16, SLT, HXF, TT, ST, ZS
13	1022792-0001	16	SCREW: M6 X 1.00-6G6G X 12, DIN, PHL, PAN, MS, ST
14	1017559-0001	2	SCREW: M4 X 0.7 X 10, PHL, PH, ST, BZ
15	1019826-0001	8	INSERT: M8 X 7.9, THREADED, HEX
16	1018850-0001	1	SHROUD ASSY: BRIDGE, BOTTOM
17	0017-00042-1147	2	GROMMET: SCREW, 8 OR 10
18	0017-00042-0772	4	CABLE TIE: L-15.000 INCH
19	1026190-0001	4	CABLE TIE: MOUNT, WING

## Console Mount and Console Rear Shroud



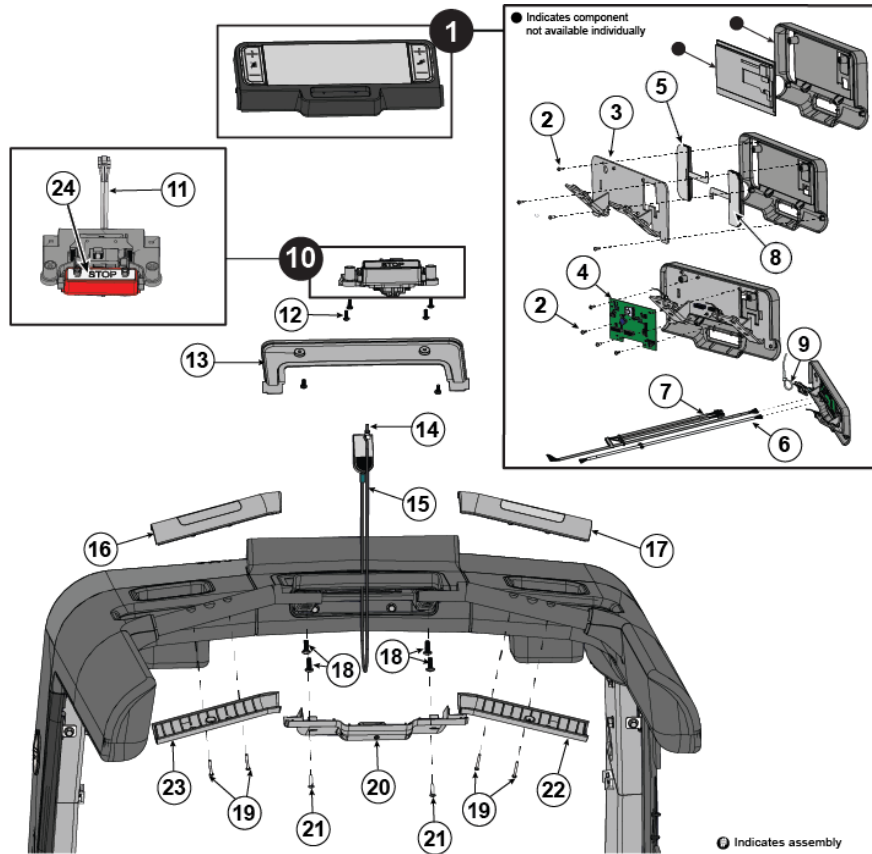
Ref #	Part Number	Qty	Description
1	1018490-0701	1	WELDMNT: CONSOLE MOUNT, TREADMILL, BLACK
2	1021782-0001	4	SCREW: M6 X 1-6G6G X 20, HXS, HXF, FHB, ST
3	1018852-0001	1	SHROUD ASSY: CONSOLE REAR
4	0017-00101-1972	6	SCREW: M5 X 0.8 X 14, PHL, PAN, MS, ST, BZ
5	0017-00101-1961	2	SCREW: M5 X 0.8 X 16, SLT, HXF, TT, ST, ZS
6	1006261-0001	2	CABLE: GROUNDING BRAID

## Console Tablet Board External Connections



Ref #	Part Number	Qty	Description
1	AK70-00092-0000	1	CABLE ASSY: CAT5E, V2, 84 INCH
2	1001653-0005	1	CABLE ASSY: HDMI, PANEL MOUNT, RIGHT, 1900MM
3	1001671-0006	1	CABLE: IR, CONSOLE TO PANEL, 1900MM
4	AK65-00062-0000	1	CABLE ASSY: COAX, RG6
5	1014289-0001	1	CABLE ASSY: WIRELESS CHARGER, 12V & UART
6	0017-00042-0772	8	CABLE TIE: L-15.000 INCH

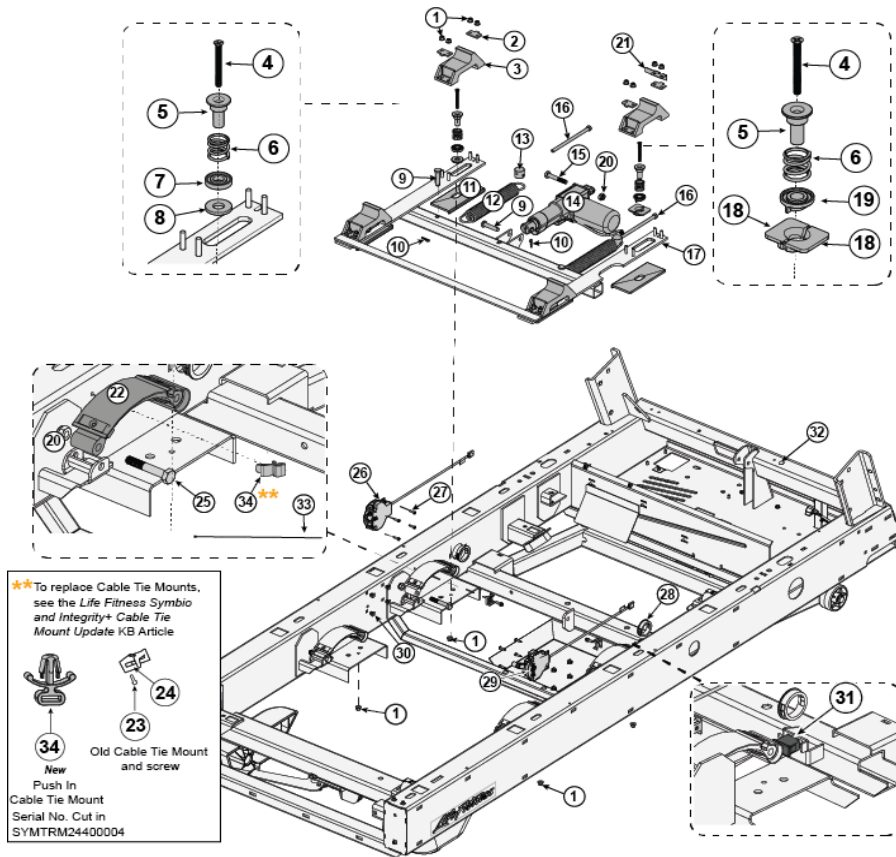
## Control Panel, Bullhorns and E-STOP



Ref #	Part Number	Qty	Description
1	1019454-0001	1	CONSOLE: TREAD CENTER
2	1015870-0001	8	SCREW: M3 X.5 X8, PHL, PAN, ST, BZ
3	1019463-0001	1	BRACKET: CENTER CONSOLE
4	1019397-0011	1	MAIN PCB ASSY: EVEREST CENTER CONSOLE
5	1019290-0002	1	KEYPAD: CENTER CONSOLE, SPEED, RIGHT
6	1019715-0001	1	CABLE ASSY: MIPI
7	1020081-0001	1	CABLE ASSY: ELSE & LP
8	1019290-0001	1	KEYPAD: CENTER CONSOLE, INCLINE, LEFT
9	0017-00042-0622	2	CABLE TIE: 3-7/8 INCH, S/C-09-B
10	1020089-0001	1	ASSEMBLY: E-STOP, TREADMILL
11	1020574-0001	1	CABLE ASSY: LIMIT SWITCH TO SIB
12	1017559-0001	6	SCREW: M4 X 0.7 X 10, PHL, PH, ST, BZ
13	1020113-0001	1	SHROUD: CENTER CONSOLE, REAR
14	1010103-0001	1	SCREW: M4 X 1.79 X 10, PHL, PAN, PLT, ST, ZC
15	1020787-0001	1	ASSEMBLY: TETHER, E-STOP
16	1018856-0001	1	SHROUD ASSY: ERGO BAR, TOP, LEFT
17	1018854-0001	1	SHROUD ASSY: ERGO BAR, TOP, RIGHT
18	0017-00101-2138	4	SCREW: M6 X 1.0 X 16, DIN, PHL, PAN, MS, ST, ZB
19	1025992-0001	4	SCREW: M3 X 0.5 X 12, HXS, CS, ST
20	1019655-0001	1	SHROUD: CENTER CONSOLE, BOTTOM
21	1011849-0001	2	SCREW: M4 X 0.7 X 16, PHL, RND, ST, ZC

<b>Ref #</b>	<b>Part Number</b>	<b>Qty</b>	<b>Description</b>
22	1018858-0001	1	SHROUD ASSY: ERGO BAR, BOTTOM, RIGHT
23	1018860-0001	1	SHROUD ASSY: ERGO BAR, BOTTOM, LEFT
24	1020261-0001	1	DECAL: E-STOP BUTTON

## Deck Stiffness and Running Metrics

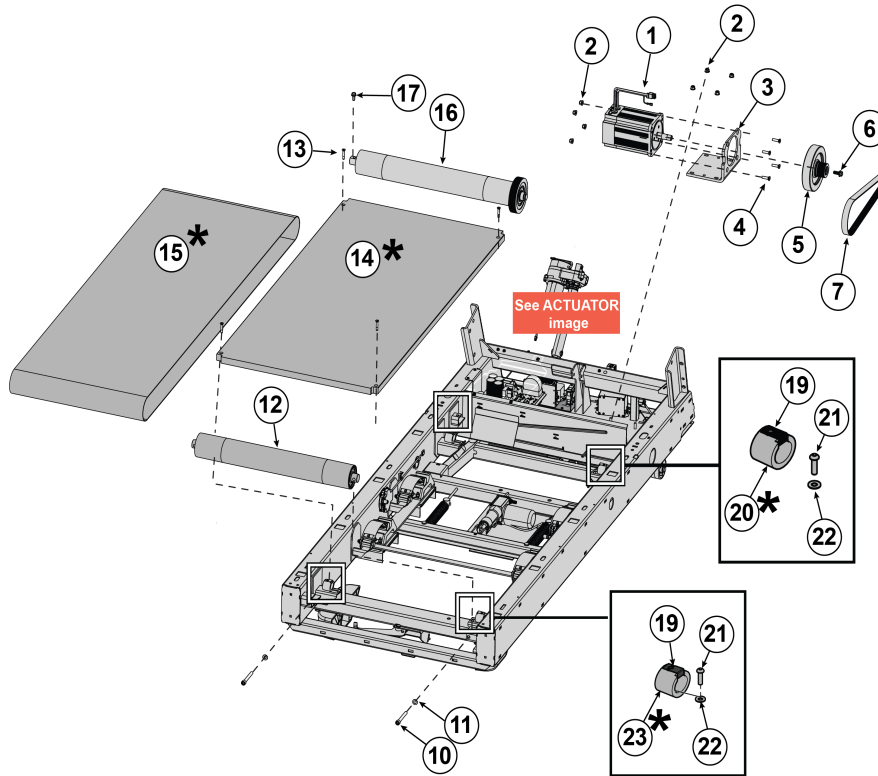


Ref #	Part Number	Qty	Description
1	1012634-0001	20	NUT: M6X1-6H, DIN, LOCK, ST, ZC
2	1021033-0001	8	PLATE: BACKING
3	1021098-0001	4	BRACKET: STOP, MOLDED
4	1025723-0001	4	SCREW: M6 X 1.0-6G X 60, HKA, FLT, CS, ST
5	1022447-0001	4	BUSHING: DECK STIFFNESS RETENTION
6	1022597-0001	4	SPRING: COMPRESSION, DECK STIFFNESS
7	1022507-0001	2	BUSHING: M12.2 X 30.5, RETENTION, SPRING
8	1022506-0001	2	BUSHING: M12.5 X 30.5 X 4, FLAT, FRAME GUIDE
9	1016706-0001	3	PIN: M10 X 46, CLEVIS, ST
10	1010579-0001	2	PIN: M6 X 28.6, COTTER
11	1015803-0001	4	BEARING: DECK STIFFNESS MECHANISM
12	1022967-0001	2	SPRING: EXTENSION, DECK STIFFNESS
13	1022960-0001	2	NUT: SPRING, EXTENSION
14	1016262-0001	1	ACTUATOR: LINEAR, DC
15,25	1020358-0001	10	SCREW: M10 X 1.5-6G6G X 60, HXS, HEX, C8
16	1022970-0001	2	SCREW: M8 X 1.25 - 6g X 65, HEX, ZN, CLASS 8.8
17	1020234-0001	1	WELDMENT: DECK STIFFNESS
18	1022449-0001	4	BUSHING: DECK STIFFNESS, FRAME GUIDE
19	1022448-0001	2	BUSHING: SPRING CONE
20	0017-00103-0334	5	NUT: M10 X 1.50-6H6H, DIN, LOCKNUT, ST, ZB
21	1021336-0001	1	BRACKET: SWITCH, CUSHIONING HOME

Ref #	Part Number	Qty	Description
22	1023420-0001	4	ASSEMBLY: CUSHIONING, ARC SPRING
23	0017-00101-1961	2	SCREW: M5 X 0.8 X 16, SLT, HXF, TT, ST, ZS
24	1019763-0001	2	MOUNT: CABLE TIE
26	1018021-0001	1	ASSEMBLY: RUNNING METRIC, LEFT
27	0017-00101-1796	8	SCREW: M4.2 X 0.7 6G6G X 19, DIN, PHL, PAN, AB, ST, ZB
28	0017-00042-1180	4	BUSHING: SLEEVE, SNAP
29	1017083-0001	1	ASSEMBLY: RUNNING METRIC, RIGHT
30	0017-00042-1147	8	GROMMET: SCREW, 8 OR 10
31	0017-00032-0195	1	SWITCH: MOMENTARY ACTION
32	6960701	1	LABEL: GROUND
33	0017-00042-0772	2	CABLE TIE: L-15.000 INCH
34	1026190-0001	2	CABLE TIE: MOUNT, WING

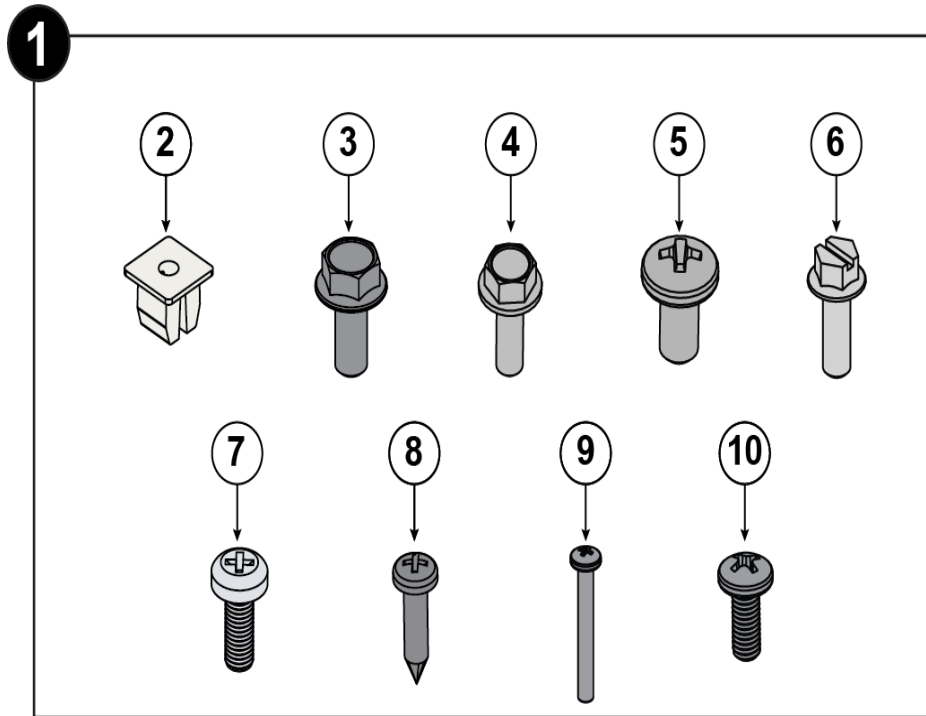
## Deck, Motor and Rollers

\* Note: When replacing deck (14), belt (15), or tecspak springs (20) (23) make sure to order NEW screws (13) and tinnerman clips (19).



Ref #	Part Number	Qty	Description
1	1015416-0001	1	MOTOR: DC, 4.8 N-M TORQUE
2	1003388-0001	8	NUT: M8 X 1.25-6H, DIN, UNF, HEX, LOCKNUT
3	1016896-0701	1	BRACKET: MOTOR MTG, DC
4	0017-00101-2147	4	SCREW: M8 X 1.25-6G6G X 30, DIN, HEX, FLT, CS, ST
5	1017386-0000	1	FLYWHEEL: PULLEY, POLY V J12, INTEGRAL
6	1005547-0001	1	SCREW: M10 X 1.50 6G6H X 25, UNS, FLG, CS, ST, ZB, W/PATCH
7	1004417-0001	1	BELT: DRIVE
10	1009113-0001	2	SCREW: M10 X 1.5 X 80, SHCS
11	0017-00104-0470	2	WASHER: M10.5 X 20 X 2, DIN, DFLAT, ST, ZB
12	1015961-0001	1	ROLLER: REAR, 88.64 OD
13	1010058-0001	4	SCREW: 1/4-20 X 24, HXS, FLT, L, CS, ST, ZB
14	1015751-0001	1	DECK: TREADMILL, 661.92 WIDE, 25.4 THICK
15	0K65-01002-0000	1	BELT: WALKING NP7131 21.5" WIDE
16	1017143-0001	1	ROLLER: FRONT, 88.64 OD, PJ10 PULLEY
17	1005191-0001	1	SCREW: M8 X 1.25 6G6H X 20, UNS, HXW, CS, ST
19	0017-00103-0198	4	NUT: 1/4 -20, TINNERMAN, ST, ZN
20	0K40-01026-0003	2	SPRING: TECSPAK, ORANGE
21	1005212-0001	4	SCREW: M6 X 1 X 20, HEX, BUT, CS, ST, ZB
22	0017-00104-0072	4	WASHER: 0.255 X 0.562 X 0.046, FLAT, ST, ZN
23	1017824-0001	2	SPRING: ELASTOMER, 63D

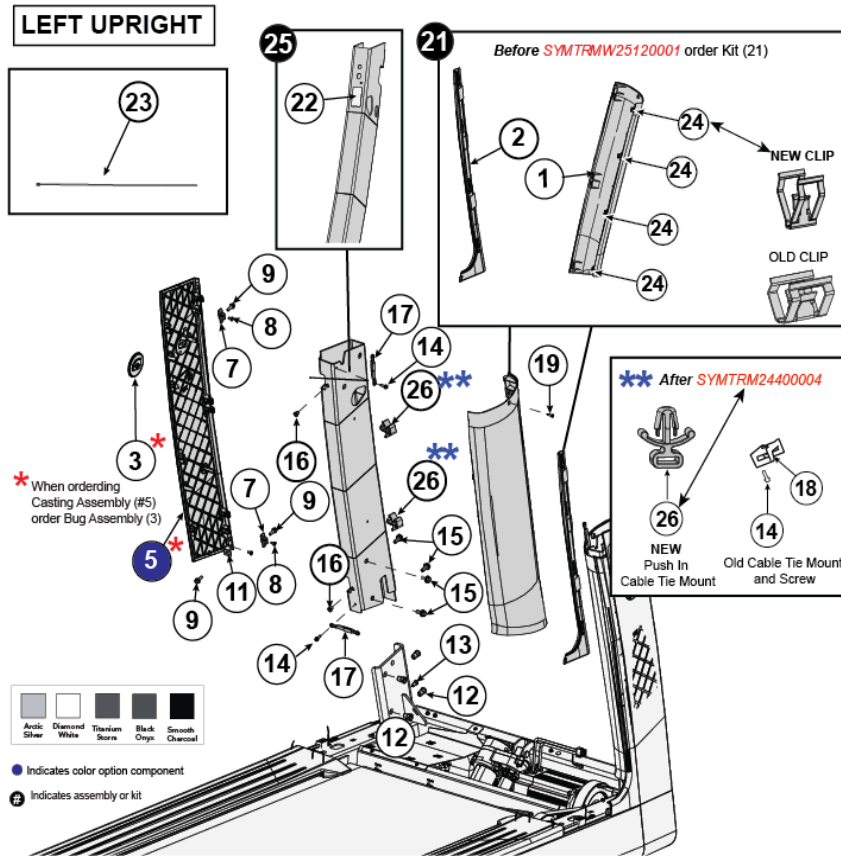
## Hardware Kit



# Indicates assembly or kit

Ref #	Part Number	Qty	Description
1	1023985-0001	1	HARDWARE KIT: ASSEMBLY, SYMBIO TREADMILL
2	0017-00042-1147	4	GROMMET: SCREW, 8 OR 10
3	1005191-0001	16	SCREW: M8 X 1.25 6G6H X 20, UNS, HXW, CS, ST
4	1021782-0001	12	SCREW: M6 X 1-6G6G X 20, HXS, HXF, FHB, ST
5	1022792-0001	12	SCREW: M6 X 1.00-6G6G X 12, DIN, PHL, PAN, MS, ST
6	0017-00101-1961	6	SCREW: M5 X 0.8 X 16, SLT, HXF, TT, ST, ZS
7	0017-00101-1972	6	SCREW: M5 X 0.8 X 14, PHL, PAN, MS, ST, BZ
8	0017-00101-1796	4	SCREW: M4.2 X 0.7 6G6G X 19, DIN, PHL, PAN, AB, ST, ZB
9	1025992-0001	4	SCREW: M3 X 0.5 X 12, HXS, CS, ST
10	1017559-0001	2	SCREW: M4 X 0.7 X 10, PHL, PH, ST, BZ

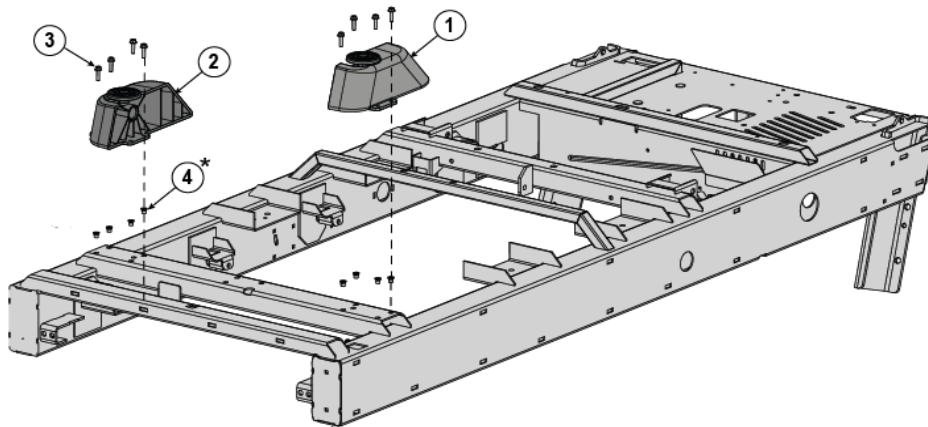
### Left Upright



Ref #	Part Number	Qty	Description
1	1018828-0001	1	SHROUD ASSY: UPRIGHT INNER, LEFT
2	1024149-0001	1	ASSEMBLY: SHROUD, SMALL UPRIGHT, LEFT
3	1019548-0001	1	ASSEMBLY: LF LED BUG
5a	1021513-0101	1	CASTING ASSY: UPRIGHT, LEFT, ARCTIC SILVER
5c	1021513-2201	1	CASTING ASSY: UPRIGHT, LEFT, TITANIUM
5b	1021513-2101	1	CASTING ASSY: UPRIGHT, LEFT, PEARLESENT WHITE
5d	1021513-2301	1	CASTING ASSY: UPRIGHT, LEFT, BLACK ONYX
5e	1021513-2601	1	CASTING ASSY: UPRIGHT, LEFT, SMOOTH CHAR GRAY
7	1023464-0001	2	SHEET METAL: BRACKET, SHROUD, UPRIGHT, LEFT
8	1018223-0001	4	SCREW: M5 X 0.8-6H6H X 10, PHL, PAN, CS, ST.
9	1021782-0001	4	SCREW: M6 X 1-6G6G X 20, HXS, HXF, FHB, ST
11	1024145-0001	2	SHEET METAL: BRACKET, CASTING, UPRIGHT, LEFT
12	1019826-0001	4	INSERT: M8 X 7.9, THREADED, HEX
13	0017-00009-1358	1	INSERT: M6 X 6.6, THREADED, HEX
14	0017-00101-1961	4	SCREW: M5 X 0.8 X 16, SLT, HXF, TT, ST, ZS
15	1005191-0001	4	SCREW: M8 X 1.25 6G6H X 20, UNS, HXW, CS, ST
16	0017-00009-1259	2	INSERT: M6 X 5, THREADED, HEX
17	1006261-0001	2	CABLE: GROUNDING BRAID
18	1019763-0001	2	MOUNT: CABLE TIE
19	0017-00101-1796	1	SCREW: M4.2 X 0.7 6G6G X 19, DIN, PHL, PAN, AB, ST, ZB

Ref #	Part Number	Qty	Description
21	1027521-0001	1	KIT: SHROUDS, UPRIGHT INNER, UPRIGHT SMALL, LEFT
22	1026012-0001	1	DECAL: "DO NOT OVER TIGHTEN" SYMBIO TREADMILL
23	0017-00042-0772	2	CABLE TIE: L-15.000 INCH
24	1002263-0001	4	CLIP: M9.55 X 16.5, FASTENER, SPRING
25	1025125-0001	1	WELDMENT ASSY: UPRIGHT, LEFT, DECAL
26	1026190-0001	2	CABLE TIE: MOUNT, WING

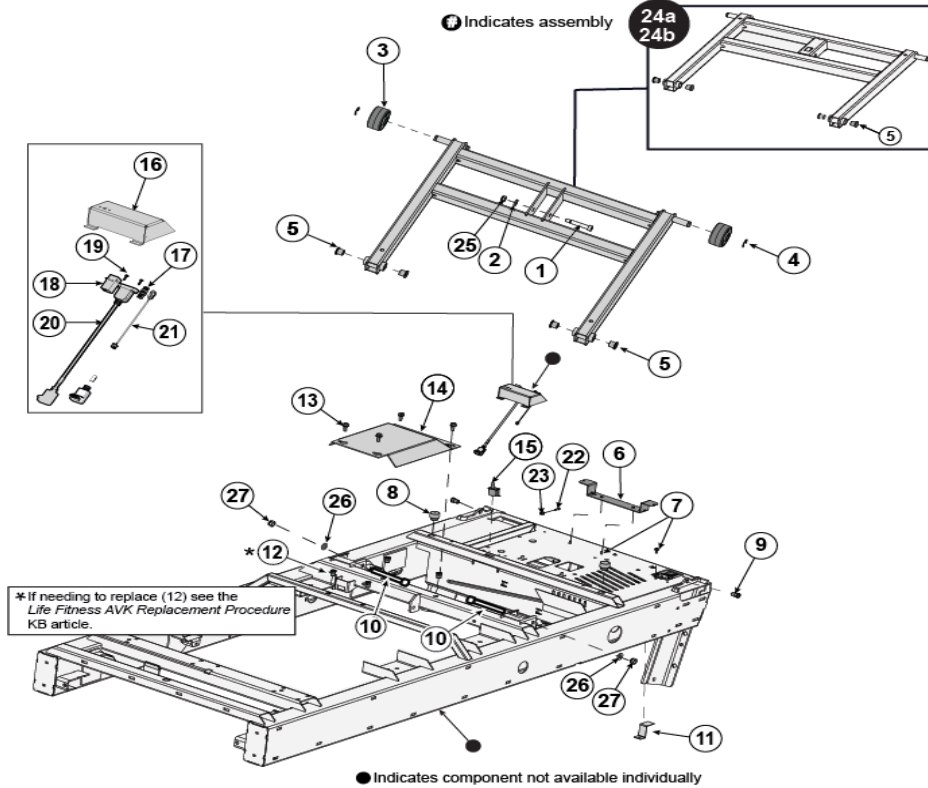
## Leveling Feet



\* If needing to replace (4), see the *Life Fitness AVK Replacement Procedure* KB Article.

Ref #	Part Number	Qty	Description
1	1019979-0001	1	ASSEMBLY: FOOT, LEVELING, LEFT
2	1019658-0001	1	ASSEMBLY: FOOT, LEVELING, RIGHT
3	1021782-0001	8	SCREW: M6 X 1-6G6G X 20, HXS, HXF, FHB, ST
4	0017-00009-1259	8	INSERT: M6 X 5, THREADED, HEX

## Lift Frame and Com Port



Ref #	Part Number	Qty	Description
1	1026816-0001	1	SCREW: M10 X 1.50 X 55, 12MM DIA, SHL
2	0017-00104-0263	1	WASHER: 0.406 X 0.875 X 0.125, FL, ST
3	0K65-01245-0000	2	WHEEL: LIFT-ARM
4	0017-00100-0249	2	RING: 3/4, ER, ST
5	1016696-0001	4	BUSHING: FLANGE
6	1019386-0001	1	SHEET METAL: POWER CORD, BRACKET
7	0017-00101-2151	7	SCREW: M5 X 0.8 6G6G X 12, FLANGE, HEAD, CS, G5, CD
8	1017398-0001	2	BUMPER: LIFT FRAME HARD STOP
9	1019826-0001	2	INSERT: M8 X 7.9, THREADED, HEX
10	1016695-0001	2	SCREW: M12 X 1.75-6H X 110, HXS, HEX, MS, C8
11	1018313-0001	1	SHEET METAL ASSY: CORD MANAGEMENT
12	0017-00009-1191	4	INSERT: M8 X 6.6, THREADED, HEX
13	1005191-0001	4	SCREW: M8 X 1.25 6G6H X 20, UNS, HXW, CS, ST
14	1017196-0701	1	SHEET METAL: SKID PLATE, BLACK
15	0017-00032-0195	1	SWITCH: MOMENTARY ACTION
16	1018327-0001	1	SHEET METAL: COMPORT
17	0017-00021-2846	1	CONNECTOR: COAX, PANEL MOUNT
18	0017-00021-3195	1	COUPLER: CAT5E, SHIELDED, RJ45
19	0017-00101-2016	2	SCREW: M3 X 0.5 6G6G X 10, DIN, PHL, PAN, E, MS, ST, ZN

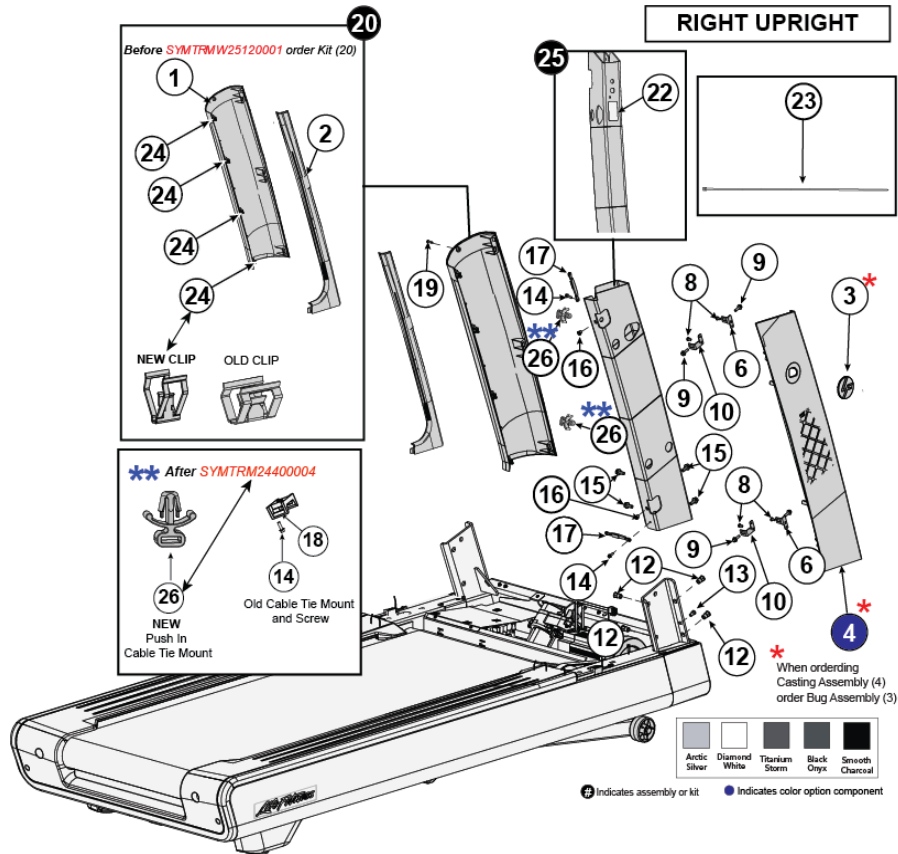
Ref #	Part Number	Qty	Description
20	1001653-0005	1	CABLE ASSY: HDMI, PANEL MOUNT, RIGHT, 1900MM
21	1001671-0006	1	CABLE: IR, CONSOLE TO PANEL, 1900MM
22	0017-00101-1796	1	SCREW: M4.2 X 0.7 6G6G X 19, DIN, PHL, PAN, AB, ST, ZB
23	0017-00042-1147	1	GROMMET: SCREW, 8 OR 10
24b	1025541-0702	1	ASSEMBLY: LIFT FRAME, W/BUSHINGS, BLACK, ARABIC
24a	1025541-0701	1	ASSEMBLY: LIFT FRAME, W/BUSHINGS, BLACK, ENGLISH
25	0017-00103-0334	1	NUT: M10 X 1.50-6H6H, DIN, LOCKNUT, ST, ZB
26	1025065-0001	2	WASHER: M12 X 24 X 2.5, FL, C8
27	0017-00103-0332	2	NUT M 12X1.75-6H6H DIN L LOCKNUT ST ZN B

## Power Cords

①			96", 244 cm
②			144", 366 cm
③			96", 244 cm
④			102", 260 cm
⑤			144", 366 cm
⑥			144", 366 cm
⑦			144", 366 cm
⑧			144", 366 cm
⑨			144", 366 cm

Ref #	Part Number	Qty	Description
1	0017-00003-0978	1	LINE-CORD: R/A; NEMA 5-20 96" S/C-C
2	0017-00003-0980	1	LINE-CORD: R/A; NEMA 5-20 144 IN. S/C-C
3	0017-00003-0974	1	LINE-CORD: 96"; W/RECP S/C-C
4	0017-00003-0781	1	LINE-CORD: R/A; 220V; USA D
5	0017-00003-0696	1	LINE-CORD: R/A; CEE7; 103" 10A 250V D
6	0017-00003-0890	1	LINE-CORD: U.K; R/A D
7	0017-00003-0996	1	LINE-CORD: IEC; AUSTRALIAN; 230/50 C
8	0017-00003-1054	1	LINE-CORD: BRAZIL, IEC-C19
9	0017-00003-1068	1	LINE-CORD: ARGENTINA, IRAM 2073, IEC-C19

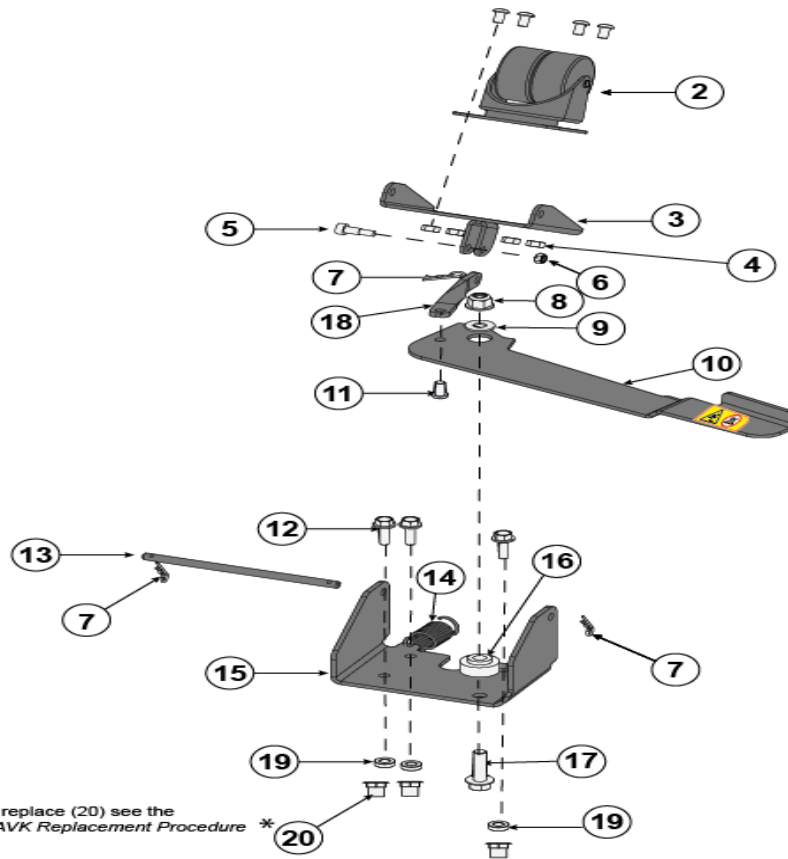
### Right Upright



Ref #	Part Number	Qty	Description
1	1018826-0001	1	SHROUD ASSY: UPRIGHT INNER, RIGHT
2	1024148-0001	1	ASSEMBLY: SHROUD, SMALL UPRIGHT, RIGHT
3	1019548-0001	1	ASSEMBLY: LF LED BUG
4c	1021512-2201	1	CASTING ASSY: UPRIGHT, RIGHT, TITANIUM
4a	1021512-0101	1	CASTING ASSY: UPRIGHT, RIGHT, ARCTIC SILVER
4b	1021512-2101	1	CASTING ASSY: UPRIGHT, RIGHT, PEARLESENT WHITE
4d	1021512-2301	1	CASTING ASSY: UPRIGHT, RIGHT, BLACK ONYX
4e	1021512-2601	1	CASTING ASSY: UPRIGHT, RIGHT, SMOOTH CHAR GRAY
6	1023463-0001	2	SHEET METAL: BRACKET, SHROUD, UPRIGHT, RIGHT
8	1018223-0001	4	SCREW: M5 X 0.8-6H6H X 10, PHL, PAN, CS, ST.
9	1021782-0001	4	SCREW: M6 X 1-6G6G X 20, HXS, HXF, FHB, ST
10	1024144-0001	2	SHEET METAL: BRACKET, CASTING, UPRIGHT, RIGHT
12	1019826-0001	4	INSERT: M8 X 7.9, THREADED, HEX
13	0017-00009-1358	1	INSERT: M6 X 6.6, THREADED, HEX
14	0017-00101-1961	4	SCREW: M5 X 0.8 X 16, SLT, HXF, TT, ST, ZS
15	1005191-0001	4	SCREW: M8 X 1.25 6G6H X 20, UNS, HXW, CS, ST
16	0017-00009-1259	2	INSERT: M6 X 5, THREADED, HEX
17	1006261-0001	2	CABLE: GROUNDING BRAID
18	1019763-0001	2	MOUNT: CABLE TIE
19	0017-00101-1796	1	SCREW: M4.2 X 0.7 6G6G X 19, DIN, PHL, PAN, AB, ST,

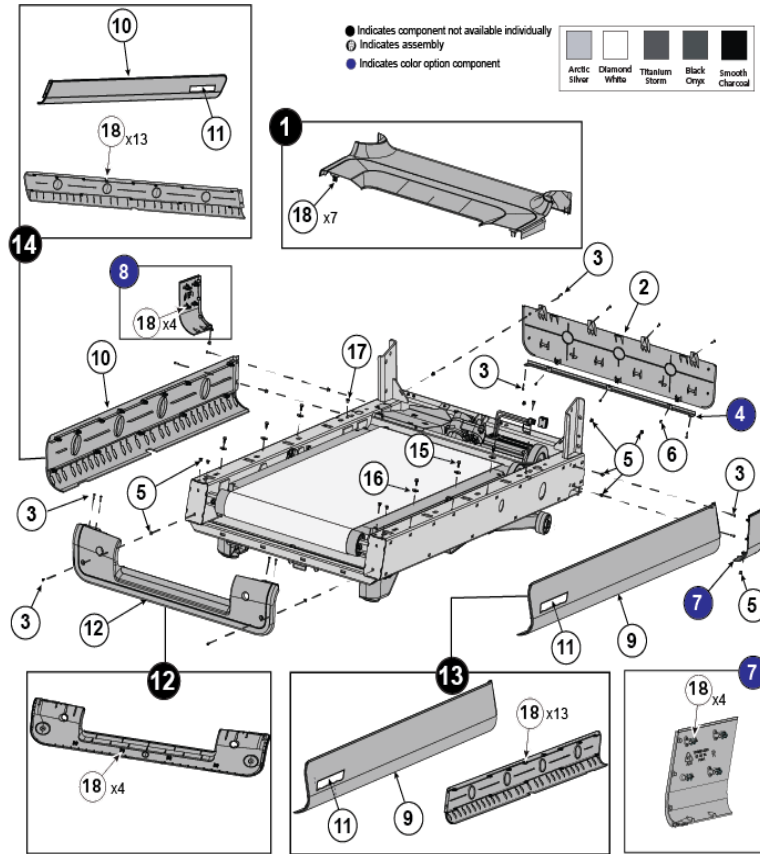
Ref #	Part Number	Qty	Description
			ZB
20	1027520-0001	1	KIT: SHROUDS, UPRIGHT INNER, UPRIGHT SMALL, RIGHT
22	1026012-0001	1	DECAL: "DO NOT OVER TIGHTEN" SYMBIO TREADMILL
23	0017-00042-0772	2	CABLE TIE: L-15.000 INCH
24	1002263-0001	4	CLIP: M9.55 X 16.5, FASTENER, SPRING
25	1025126-0001	1	WELDMENT ASSY: UPRIGHT, RIGHT, DECAL
26	1026190-0001	2	CABLE TIE: MOUNT, WING

## Service Wheel



Ref #	Part Number	Qty	Description
1	1006331-0001	4	SCREW: M6 X 1.0 X 10, HXS, BUT, CS, ST, BZ
2	CW-25006	1	CASTOR: SWIVEL, SERVICE WHEEL
3	1006042-0001	1	WELDMENT: WHEEL MOUNT
4	0017-00103-0360	4	NUT: M6 X 1.0, HEX, ST, ZS
5	1006044-0001	1	SCREW: M5 X 0.8, 6MM DIA SHOULDER
6	1006046-0001	1	NUT: M5 NYLOCK
7	1010579-0001	3	PIN: M6 X 28.6, COTTER
8	1003388-0001	1	NUT: M8 X 1.25-6H, DIN, UNF, HEX, LOCKNUT
9	0017-00104-0510	1	WASHER: M8.4 X 19 X 1.6, DIN, FLAT, ST, ZB
10	1027451-0001	1	ASSEMBLY: SERVICE WHEEL, HANDLE KIT
11	1010578-0001	1	PIN: M6.35 X 12.7, CLEVIS
12	1021782-0001	3	SCREW: M6 X 1-6G6G X 20, HXS, HXF, FHB, ST
13	1003609-0001	1	PIN: PIVOT, SERVICE WHEEL
14	1018515-0001	1	SPRING: M19 X 1.91 X 57.15, EXTENSION
15	1017456-0001	1	SHEET METAL: SERVICE WHEEL, FRAME ATTACHMENT
16	1017471-0001	1	SPACER: SERVICE WHEEL
17	0017-00101-2130	1	SCREW: M8 X 1.25-6G6H X 30, UNS, HXW, CS, ST, ZB
18	1003613-0001	1	LINK: TWIST, SERVICE WHEEL
19	1026603-0001	3	SPACER: M6 X 13 X 4, AL
20	0017-00009-1259	3	INSERT: M6 X 5, THREADED, HEX

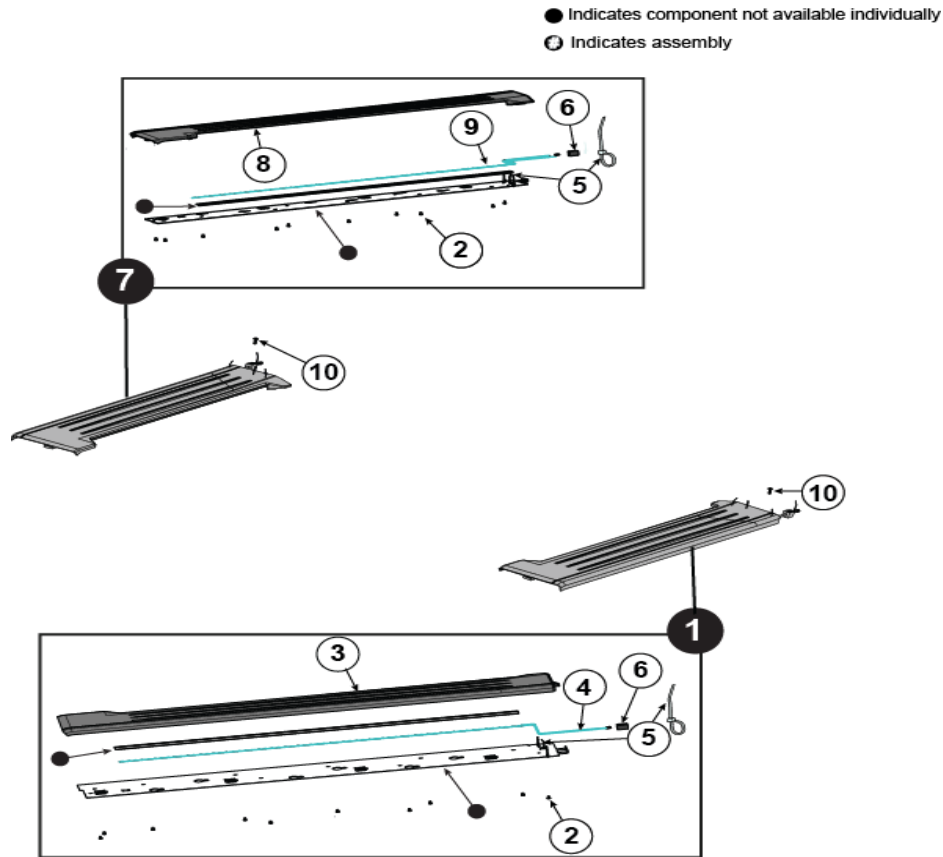
## Side Shrouds



Ref #	Part Number	Qty	Description
1	1018830-0001	1	SHROUD ASSY: MOTOR PAN, TOP
2	1018831-0001	1	SHROUD: MOTOR PAN, FRONT
3	0017-00101-1796	16	SCREW: M4.2 X 0.7 6G6G X 19, DIN, PHL, PAN, AB, ST, ZB
4b	1018879-5301	1	SHEET METAL: MOTOR PAN, BOTTOM MIDDLE, SMOOTH CHAR GRAY ROBUST
4a	1018879-5101	1	SHEET METAL: MOTOR PAN, BOTTOM MIDDLE, ARCTIC SILVER ROBUST
4c	1018879-7101	1	SHEET METAL: MOTOR PAN, BOTTOM MIDDLE, PEARLESENT WHITE ROBUST
4d	1018879-7201	1	SHEET METAL: MOTOR PAN, BOTTOM MIDDLE, TITANIUM ROBUST
4e	1018879-7301	1	SHEET METAL: MOTOR PAN, BOTTOM MIDDLE, METALLIC BLACK ROBUST
5	0017-00042-1147	16	GROMMET: SCREW, 8 OR 10
6	1010103-0001	3	SCREW: M4 X 1.79 X 10, PHL, PAN, PLT, ST, ZC
7e	1018882-2601	1	CASTING ASSY: MOTOR PAN, BOTTOM SIDE, RIGHT, SMOOTH CHAR GRAY
7c	1018882-2201	1	CASTING ASSY: MOTOR PAN, BOTTOM SIDE, RIGHT, TITANIUM
7d	1018882-2301	1	CASTING ASSY: MOTOR PAN, BOTTOM SIDE, RIGHT,

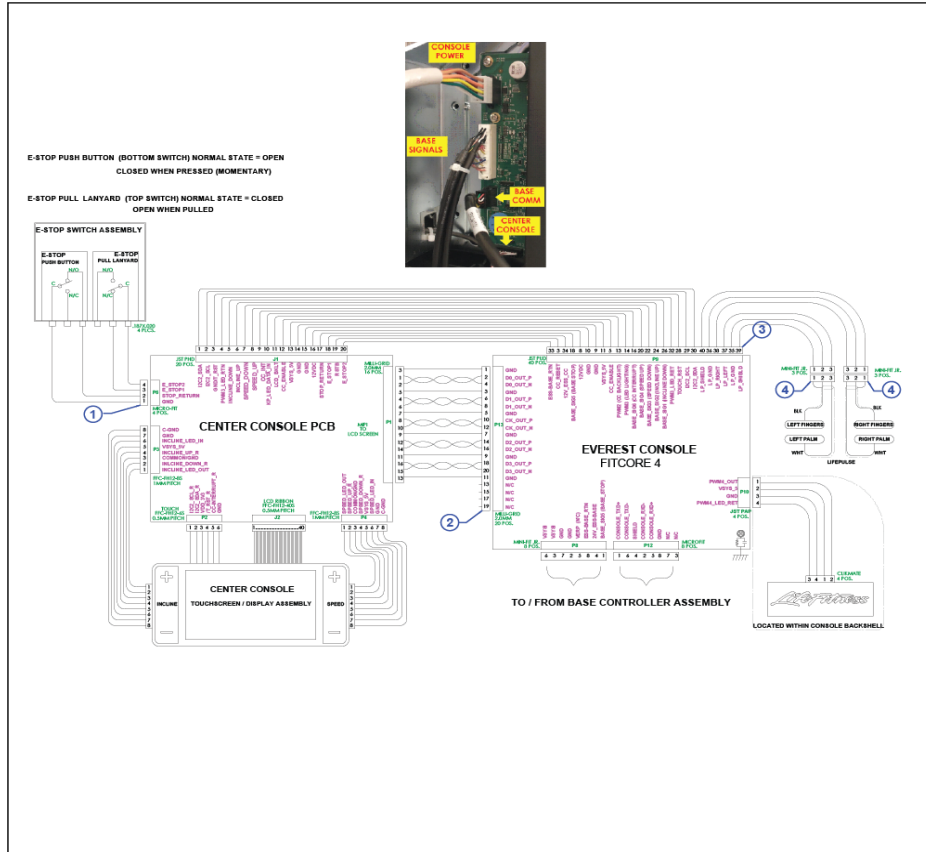
Ref #	Part Number	Qty	Description
			BLACK ONYX
7b	1018882-2101	1	CASTING ASSY: MOTOR PAN, BOTTOM SIDE, RIGHT, PEARLESENT WHITE
7a	1018882-0101	1	CASTING ASSY: MOTOR PAN, BOTTOM SIDE, RIGHT, ARCTIC SILVER
8d	1018884-2301	1	CASTING ASSY: MOTOR PAN, BOTTOM SIDE, LEFT, BLACK ONYX
8e	1018884-2601	1	CASTING ASSY: MOTOR PAN, BOTTOM SIDE, LEFT, SMOOTH CHAR GRAY
8c	1018884-2201	1	CASTING ASSY: MOTOR PAN, BOTTOM SIDE, LEFT, TITANIUM
8b	1018884-2101	1	CASTING ASSY: MOTOR PAN, BOTTOM SIDE, LEFT, PEARLESENT WHITE
8a	1018884-0101	1	CASTING ASSY: MOTOR PAN, BOTTOM SIDE, LEFT, ARCTIC SILVER
9	1018840-0001	1	SHROUD ASSY: SIDE COVER, RIGHT
10	1018842-0001	1	SHROUD ASSY: SIDE COVER, LEFT
11	1020283-0001	2	DECAL: TR EVEREST LIFE FITNESS LOGO
12	1018838-0001	1	SHROUD ASSY: END CAP, FULL WIDTH
13	1025124-0001	1	SHROUD ASSY: SIDE COVER, RIGHT, DECAL
14	1025123-0001	1	SHROUD ASSY: SIDE COVER, LEFT, DECAL
15	1021126-0001	6	SCREW: M6 X 1 X 16, HXS, HXF, F, ST
16	1022935-0001	6	BUSHING: FLANGE, TOP STEP
17	0017-00009-1259	2	INSERT: M6 X 5, THREADED, HEX
18	1002263-0001	45	CLIP: M9.55 X 16.5, FASTENER, SPRING

## Top Steps



Ref #	Part Number	Qty	Description
1	1018834-0001	1	ASSEMBLY: LED TOP STEP, RIGHT
2	0017-00101-2141	20	SCREW: M5 X 0.8 X 8, PHL, PAN, ST, ZB
3	1020137-0001	1	SHROUD ASSY: LED TOP STEP, RIGHT
4	1020631-0001	1	CABLE ASSY: LED STRIP, TOP STEP, RIGHT
5	0017-00042-0622	4	CABLE TIE: 3-7/8 INCH, S/C-09-B
6	121E-00001-0011	1	FERRITE-BEAD: SUPPRESSION B
7	1018836-0001	1	ASSEMBLY: LED TOP STEP, LEFT
8	1020138-0001	1	SHROUD ASSY: LED TOP STEP, LEFT
9	1020631-0002	1	CABLE ASSY: LED STRIP, TOP STEP, LEFT
10	0017-00101-2138	2	SCREW: M6 X 1.0 X 16, DIN, PHL, PAN, MS, ST, ZB

# Upper Assembly Wiring Diagram



Ref #	Part Number	Qty	Description
1	1020574-0001	1	CABLE ASSY: LIMIT SWITCH TO SIB
2	1019715-0001	1	CABLE ASSY: MIPI
3	1020081-0001	1	CABLE ASSY: ELSE & LP
4	1003871-0002	2	CABLE: LIFE PULSE ELECTRODES, 435MM

