

# Symbio Home Upright Bike Smooth Charcoal Base ARG

PCSPC-CHRXARG-01

## Parts Manual

6/19/2024 15:24:25 PM



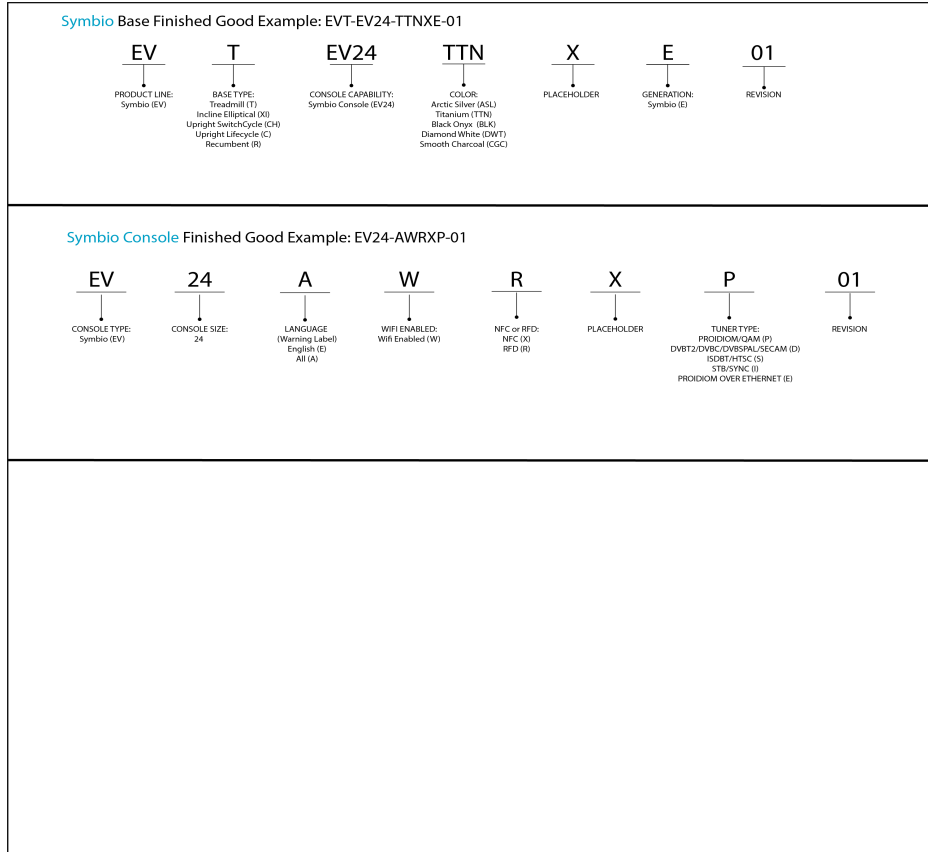
**LifeFitness**  
WHAT WE LIVE FOR

**Table of Contents**

---

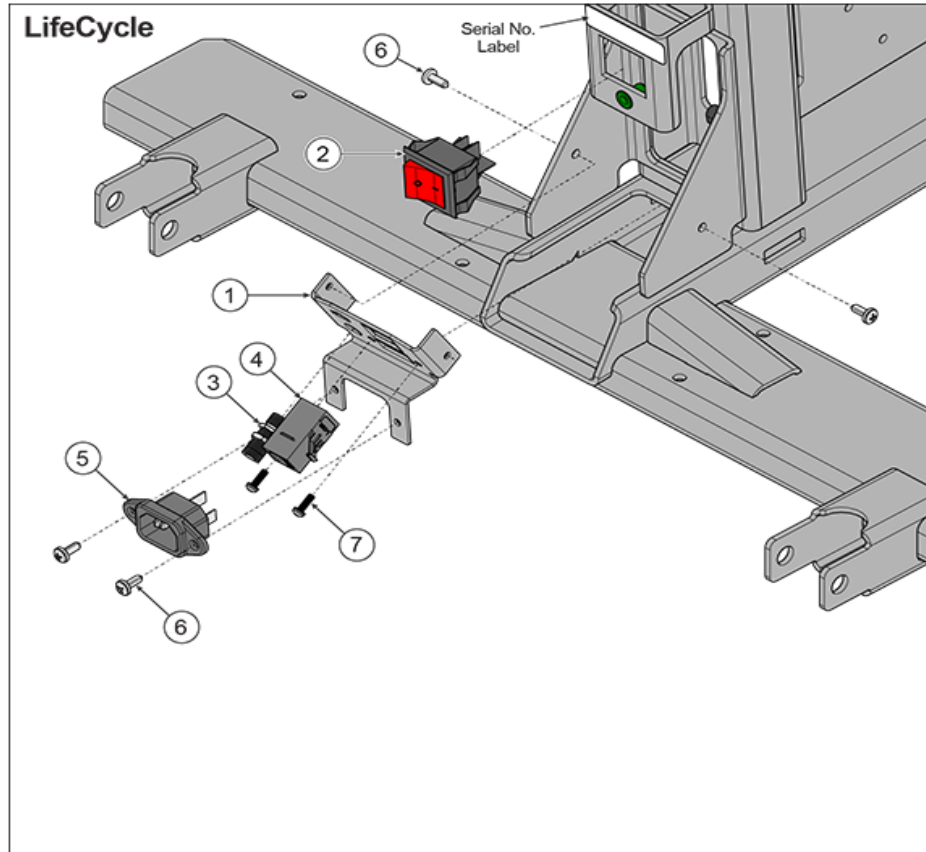
<a href="#">A Legend Description.....</a>	<a href="#">3</a>
<a href="#">Comm Port Assembly.....</a>	<a href="#">4</a>
<a href="#">Console and Shroud Assembly.....</a>	<a href="#">5</a>
<a href="#">Drive Pulley and Tensioner Assembly.....</a>	<a href="#">6</a>
<a href="#">Fore Aft Assembly.....</a>	<a href="#">7</a>
<a href="#">Front Covers.....</a>	<a href="#">8</a>
<a href="#">Generator and Power Supply.....</a>	<a href="#">10</a>
<a href="#">Handlebar Assembly.....</a>	<a href="#">11</a>
<a href="#">Hardware Pack.....</a>	<a href="#">12</a>
<a href="#">Lower Board.....</a>	<a href="#">13</a>
<a href="#">Monocolumn Shroud Assembly and Cup Holder.....</a>	<a href="#">14</a>
<a href="#">Pedals and Crank Arms.....</a>	<a href="#">15</a>
<a href="#">Power Cords.....</a>	<a href="#">16</a>
<a href="#">Seat Frame Components.....</a>	<a href="#">17</a>
<a href="#">Seat Post Assembly.....</a>	<a href="#">18</a>
<a href="#">Side Covers and Light Rings.....</a>	<a href="#">19</a>
<a href="#">Stabilizer Castings and Leveling Feet.....</a>	<a href="#">20</a>
<a href="#">Tray Assembly.....</a>	<a href="#">22</a>
<a href="#">Wiring Diagram - Base.....</a>	<a href="#">23</a>
<a href="#">Wiring Diagram - Console to Handlebar Assembly.....</a>	<a href="#">24</a>
<a href="#">Wiring Diagram - Console to Wireless Charger.....</a>	<a href="#">25</a>

# A Legend Description



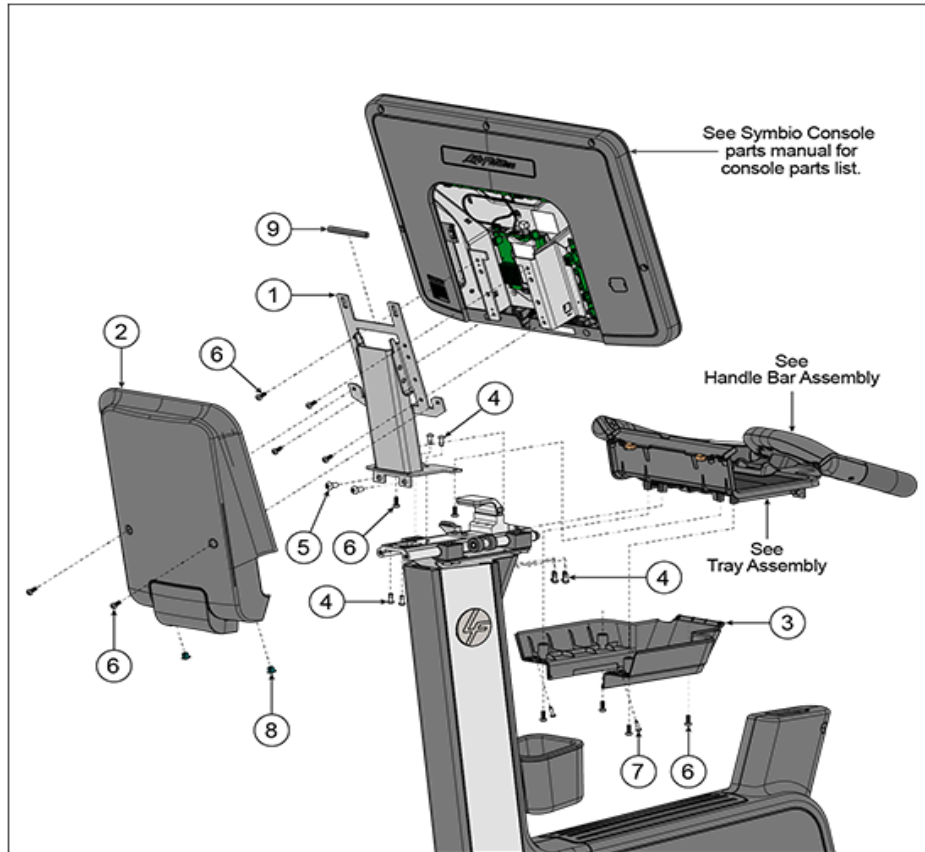
Ref #	Part Number	Qty	Description
-	LEGEND_DESCRIP TION	1	LEGEND DESCRIPTION

## Comm Port Assembly



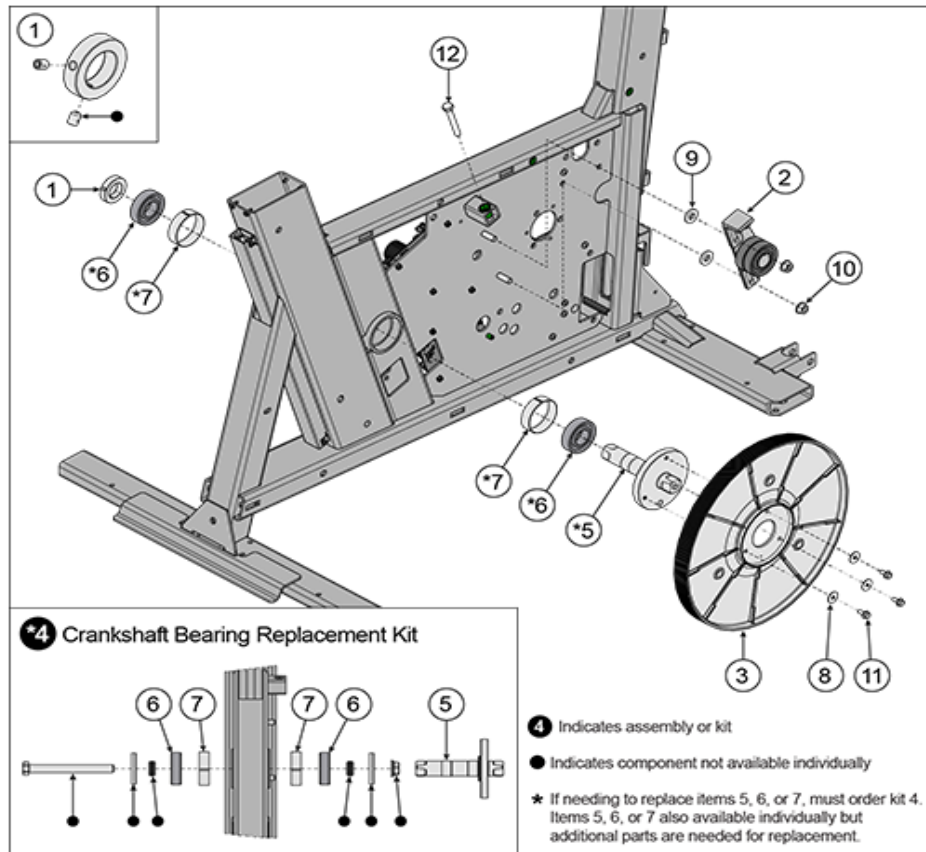
Ref #	Part Number	Qty	Description
1	1019204-0001	1	BRACKET: COM PORT
2	0017-00032-0198	1	SWITCH: POWER, DPST ROCKER
3	0017-00021-2846	1	CONNECTOR: COAX, PANEL MOUNT
4	0017-00021-3195	1	COUPLER: CAT5E, SHIELDED, RJ45
5	0017-00003-1090	1	RECEPTACLE: IEC, PANEL MOUNT, 15A 250V AC
6	0017-00101-1968	4	SCREW: M4 X 0.7 X 10, PHL, PAN, TT, ST, ZS
7	0017-00101-2016	2	SCREW: M3 X 0.5 6G6G X 10, DIN, PHL, PAN, E, MS, ST, ZN

## Console and Shroud Assembly



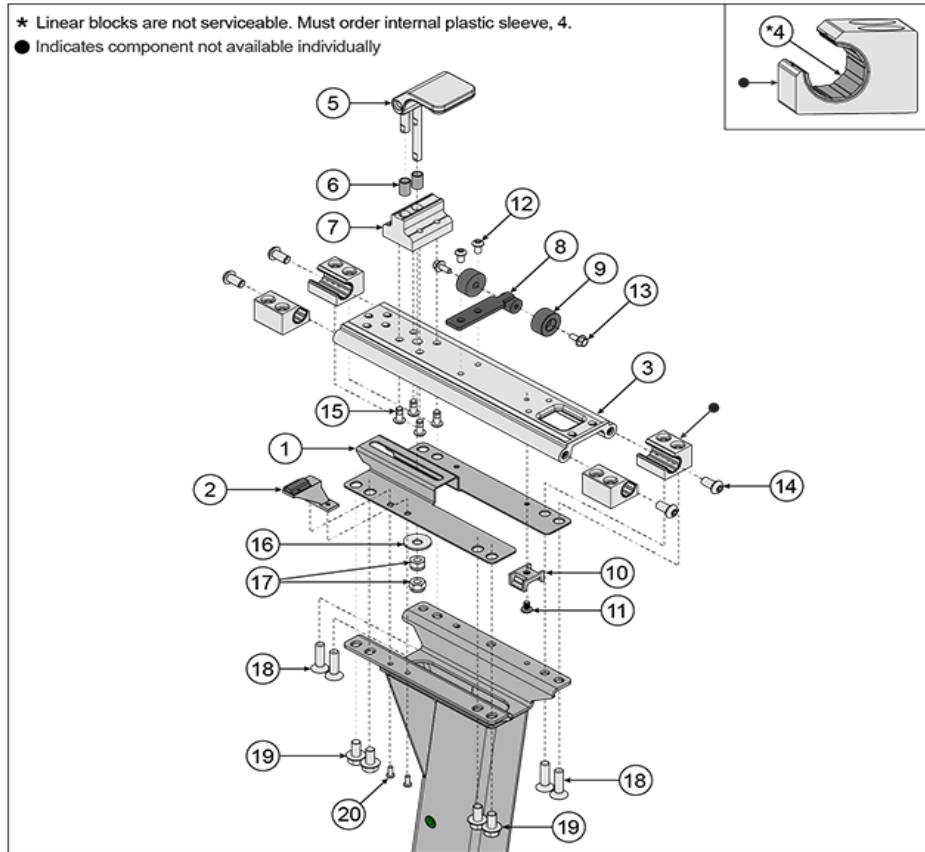
Ref #	Part Number	Qty	Description
1	1018144-0701	1	WELDMNT: CONSOLE MOUNT, BLACK
2	1019933-0001	1	SHROUD ASSY: TRAY, CONSOLE BACK
3	1019930-0001	1	SHROUD: TRAY, LOWER
4	0017-00101-2014	8	SCREW: M6 X 1-6G6H X 14, DIN, HEX, BUT, L, ST, ZB
5	0017-00101-2007	2	SCREW: M8 X 1.25 6G6G X 16, HEX, BUT, CS, ST
6	0017-00101-1972	12	SCREW: M5 X 0.8 X 14, PHL, PAN, MS, ST, BZ
7	0017-00101-1796	2	SCREW: M4.2 X 0.7 6G6G X 19, DIN, PHL, PAN, AB, ST, ZB
8	0017-00042-1147	2	GROMMET: SCREW, 8 OR 10
9	1021563-0001	1	TRIM: EDGE, 1/8", 85MM

## Drive Pulley and Tensioner Assembly



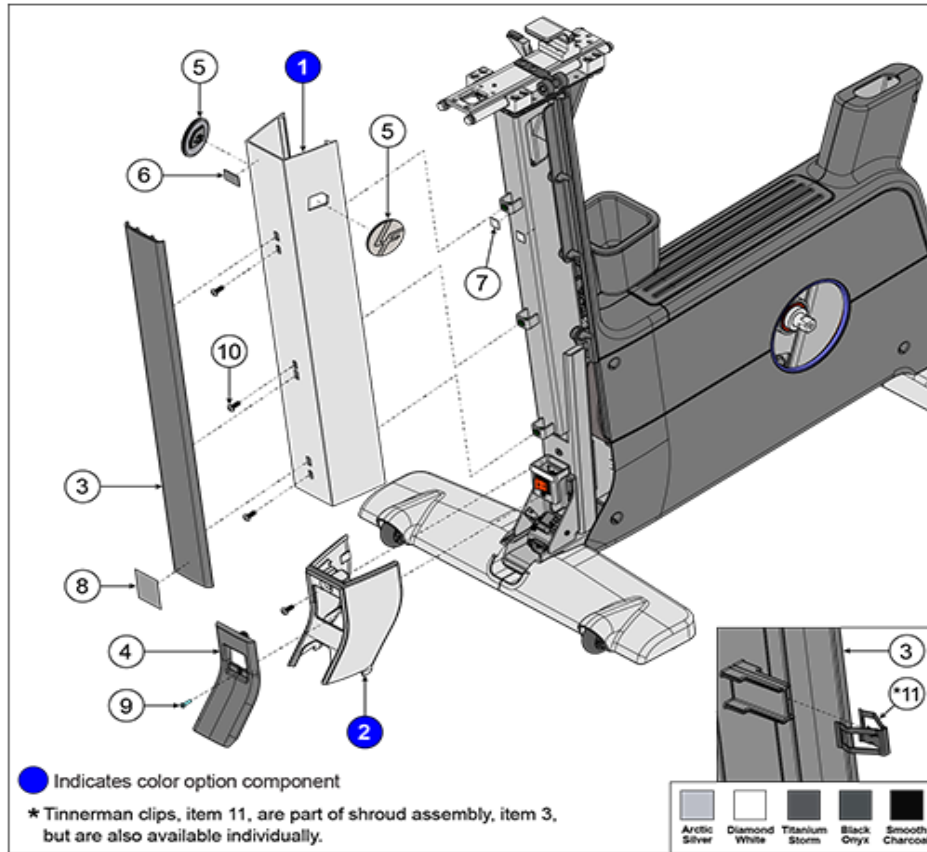
Ref #	Part Number	Qty	Description
1	1009112-0001	1	COLLAR: M25, SHAFT
2	1001619-0001	1	ASSEMBLY: IDLER
3	1021788-0001	1	PULLEY: MOLDED, J10, 309MM
4	1024796-0001	1	KIT: CRANKSHAFT BEARING REPLACEMENT
5	1022255-0001	1	SHAFT: PULLEY
6	0017-00006-0285	2	BEARING: M25 X 52 X 15, BALL
7	FC030007	2	RING: M52 X 15, TOLERANCE
8	0K66-01130-0000	3	WASHER: M5.5 X 18 X 1.45, PULLEY, GENERATOR
9	0017-00104-0263	2	WASHER: 0.406 X 0.875 X 0.125, FL, ST
10	1013499-0001	2	NUT: M8 X 1.25-6H, HEX, LOCK, ZINC, CLASS 10
11	0017-00101-2151	3	SCREW: M5 X 0.8 6G6G X 12, FLANGE, HEAD, CS, G5, CD
12	0017-00101-2002	1	SCREW: M8 X 1.25-6G6G X 60, DIN, UNS, HEX, CS, G5, CD

## Fore Aft Assembly



Ref #	Part Number	Qty	Description
1	1021396-0001	1	ASSEMBLY: FORE/AFT CLAMP BRACKET
2	1021557-0001	1	ASSEMBLY: TARGET MOUNT
3	1020174-0001	1	ASSEMBLY: RAIL, FORE/AFT
4	1025664-0001	4	BEARING: LINEAR, DRYLIN R, 16MM
5	1018379-0001	1	ASSEMBLY: CAM
6	1018901-0001	2	BEARING: M8 X 10 X 15, SLEEVE
7	1018380-0001	1	BASE: CAM
8	1019011-0701	1	WELDMENT: RAIL STOP, BLACK
9	0K62-01121-0000	2	PAD: FOOT
10	1019763-0001	1	MOUNT: CABLE TIE
11	0017-00101-2141	1	SCREW: M5 X 0.8 X 8, PHL, PAN, ST, ZB
12	1006331-0001	2	SCREW: M6 X 1.0 X 10, HXS, BUT, CS, ST, BZ
13	0017-00101-2151	2	SCREW: M5 X 0.8 6G6G X 12, FLANGE, HEAD, CS, G5, CD
14	0017-00101-2007	4	SCREW: M8 X 1.25 6G6G X 16, HEX, BUT, CS, ST
15	0017-00101-2014	4	SCREW: M6 X 1-6G6H X 14, DIN, HEX, BUT, L, ST, ZB
16	1023567-0001	1	WASHER: 3/8 X 1.0 X 0.116, SPC, ST
17	0017-00103-0333	2	NUT: M8 X 1.25-6H6H, DIN, LOCKING, ST, ZN
18	1021626-0001	4	SCREW: M8 X 1.25 X 30, TRX, FLT, BZ
19	0017-00101-2129	4	M8X1.25X16 6G6G DIN UNS HEX FLG ST ZB
20	1010103-0001	2	SCREW: M4 X 1.79 X 10, PHL, PAN, PLT, ST, ZC

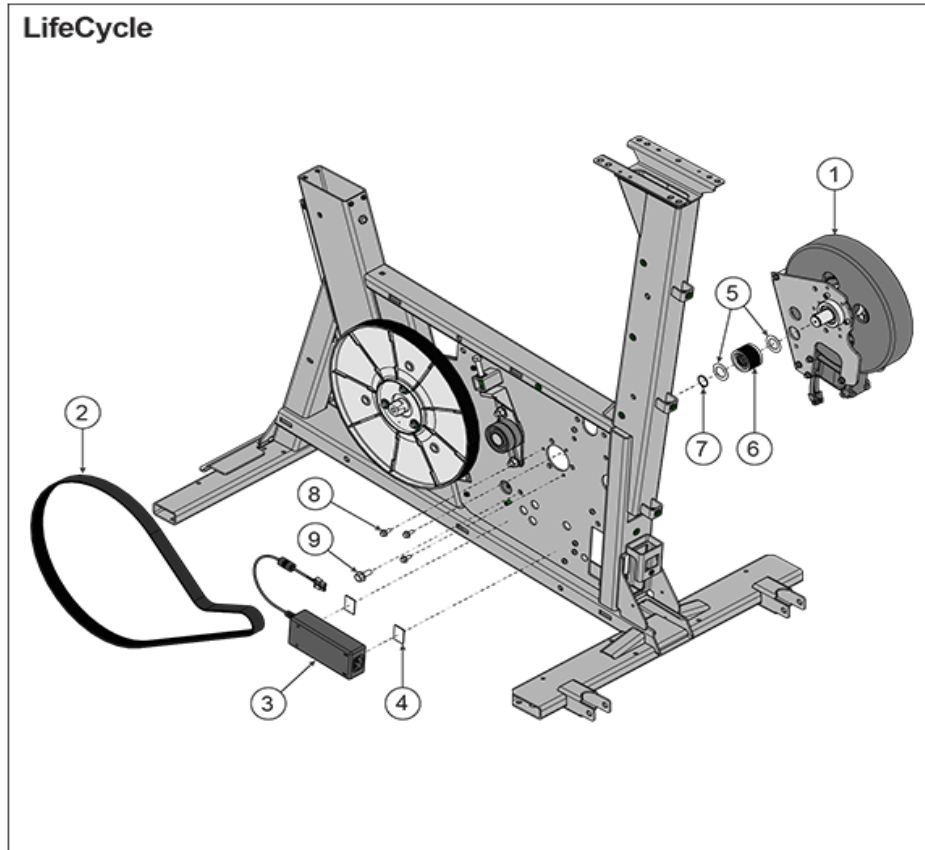
## Front Covers



Ref #	Part Number	Qty	Description
1B	1019918-2101	1	EXTRUSION: MONOCOLUMN, UPRIGHT, PEARLESENT WHITE
1C	1019918-2201	1	EXTRUSION: MONOCOLUMN, UPRIGHT, TITANIUM
1E	1019918-2601	1	EXTRUSION: MONOCOLUMN, UPRIGHT, SMOOTH CHAR GRAY
1A	1019918-0101	1	EXTRUSION: MONOCOLUMN, UPRIGHT, ARCTIC SILVER
1D	1019918-2301	1	EXTRUSION: MONOCOLUMN, UPRIGHT, METALLIC BLACK
2E	1019912-2601	1	CASTING: STABILIZER, FRONT, TRANSITION, SMOOTH CHAR GRAY
2D	1019912-2301	1	CASTING: STABILIZER, FRONT, TRANSITION, METALLIC BLACK
2A	1019912-0101	1	CASTING: STABILIZER, FRONT, TRANSITION, ARCTIC SILVER
2B	1019912-2101	1	CASTING: STABILIZER, FRONT, TRANSITION, PEARLESENT WHITE
2C	1019912-2201	1	CASTING: STABILIZER, FRONT, TRANSITION, TITANIUM
3	1019921-0002	1	SHROUD ASSY: FRONT, UPPER, UPRIGHT
4	1019920-0001	2	SHROUD: FRONT, BOTTOM, UPRIGHT
5	1019548-0001	2	ASSEMBLY: LF LED BUG

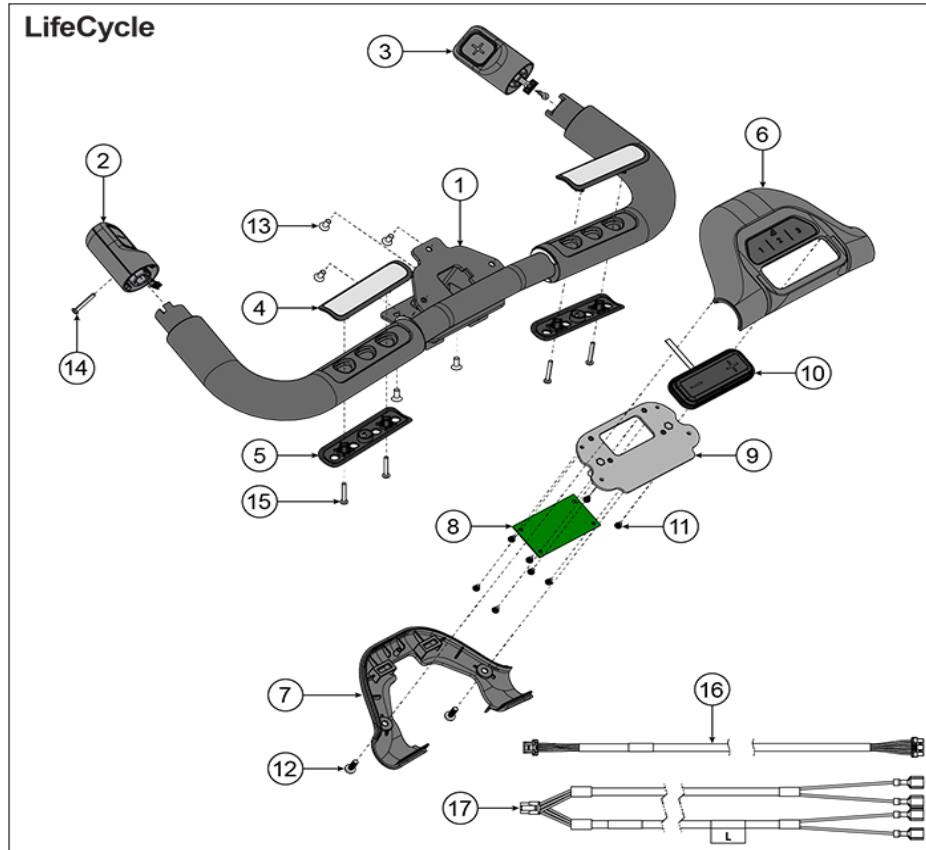
Ref #	Part Number	Qty	Description
6	0017-00081-0346	1	TAPE: ADHESIVE, DOUBLE-SIDED
7	0K19-01222-0000	2	TAPE: ADHESIVE, DOUBLE-SIDED
8	1022871-0001	1	LABEL: EVEREST NON-TREADMILL COMPLIANCE
9	1023067-0001	1	SCREW: M4 X 0.70-6G6G X 16, PHL, PAN, MS, ST
10	0017-00101-2138	4	SCREW: M6 X 1.0 X 16, DIN, PHL, PAN, MS, ST, ZB
11	1002263-0001	3	CLIP: M9.55 X 16.5, FASTENER, SPRING

## Generator and Power Supply



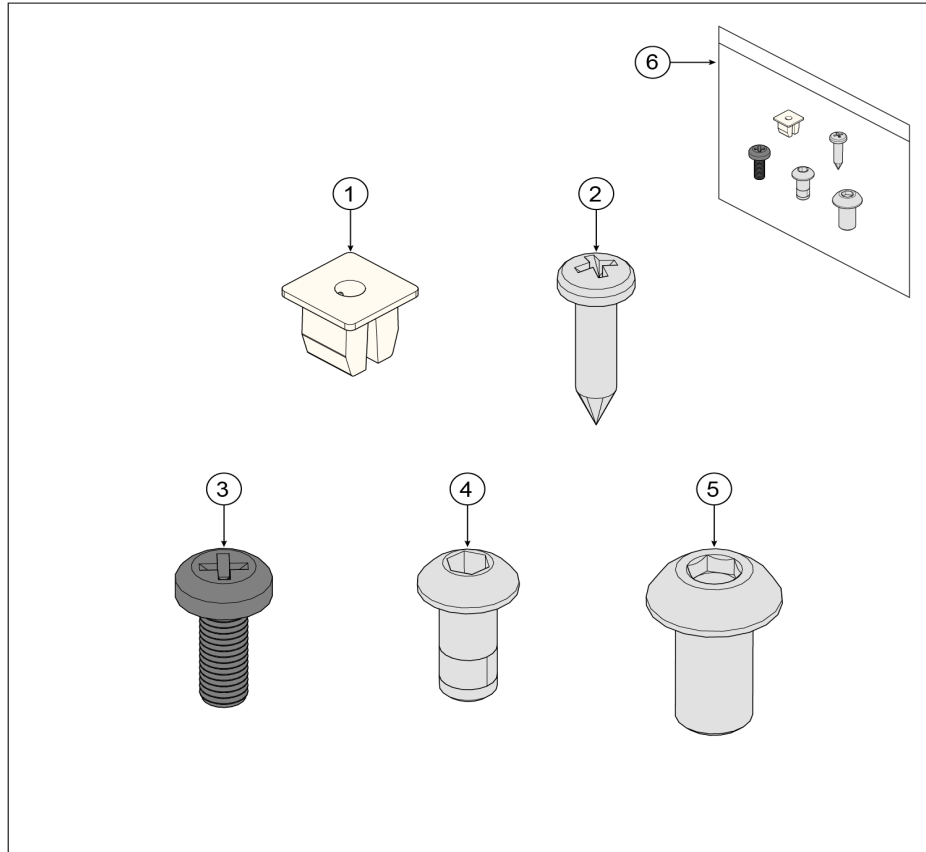
Ref #	Part Number	Qty	Description
1	1014174-0001	1	GENERATOR: BRAKE W/20MM EXT.
2	1019701-0002	1	BELT: POLY V, J10, 470J10
3	1022188-0001	1	POWER SUPPLY: 24VDC, 5A
4	0017-00081-0346	2	TAPE: ADHESIVE, DOUBLE-SIDED
5	0017-00104-0455	2	WASHER: M20 X 31.75 X 0.79, FL, DE
6	1022503-0001	1	ASSEMBLY: CLUTCH/SHEAVE, 25MM
7	0017-00100-0242	1	RING: M19.84, RETAINING, ST, 5101-98
8	0017-00101-2151	3	SCREW: M5 X 0.8 6G6G X 12, FLANGE, HEAD, CS, G5, CD
9	0017-00101-2150	1	SCREW: M8 X 1.25 6G6H X 20, UHS, HXW, CS, ST, ZB

## Handlebar Assembly



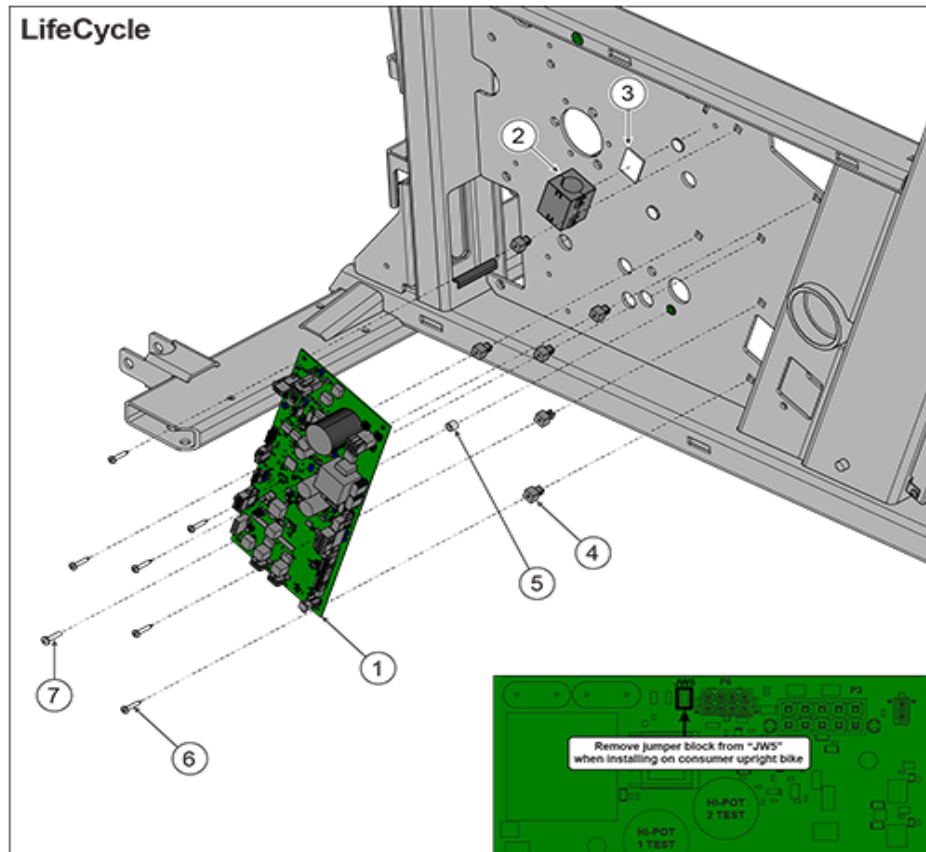
Ref #	Part Number	Qty	Description
1	1023673-0001	1	ASSEMBLY: HANDLEBAR, UPRIGHT, OVERMOLDED, TRIMMED
2	1019965-0002	1	ASSEMBLY: SWITCH, UPRIGHT, RESISTANCE, DECREASE
3	1019965-0001	1	ASSEMBLY: SWITCH, END CONTROL, RIGHT
4	AK69-00139-0001	2	Electrode Top
5	AK69-00140-0001	2	Electrode Bottom
6	1019445-0001	1	ASSEMBLY: NEUTRAL GRIP, UPPER
7	1019944-0001	1	SHROUD ASSY: HANDLEBAR, NEUTRAL GRIP, LOWER
8	1023819-0011	1	MAIN PCB ASSY: EVEREST UB HUB FOR MEMBRANE KEYPAD
9	1021396-0001	1	ASSEMBLY: FORE/AFT CLAMP BRACKET
10	1019813-0001	1	KEYPAD: UPRIGHT, CLUTCHED
11	0017-00101-1971	8	SCREW: M3 X 0.5 6G6G X 6, DIN, PHL, PAN, MS, ST, ZN
12	0017-00101-1972	2	SCREW: M5 X 0.8 X 14, PHL, PAN, MS, ST, BZ
13	1020799-0001	5	SCREW: M5 X 0.8-6G6G X 12, HKA, FLT, MS, ST
14	1023354-0001	2	SCREW: 6-19 X 16, PHL, PAN, PLT, ST
15	0017-00101-2054	4	SCREW: 6-19 X 16, PHL, PAN, HLS, ST, ZN
16	1021400-0001	2	CABLE: KEYPAD EXTENSION
17	1021107-0002	1	CABLE: HR ELECTRODES TO CABLE, 300MM

## Hardware Pack



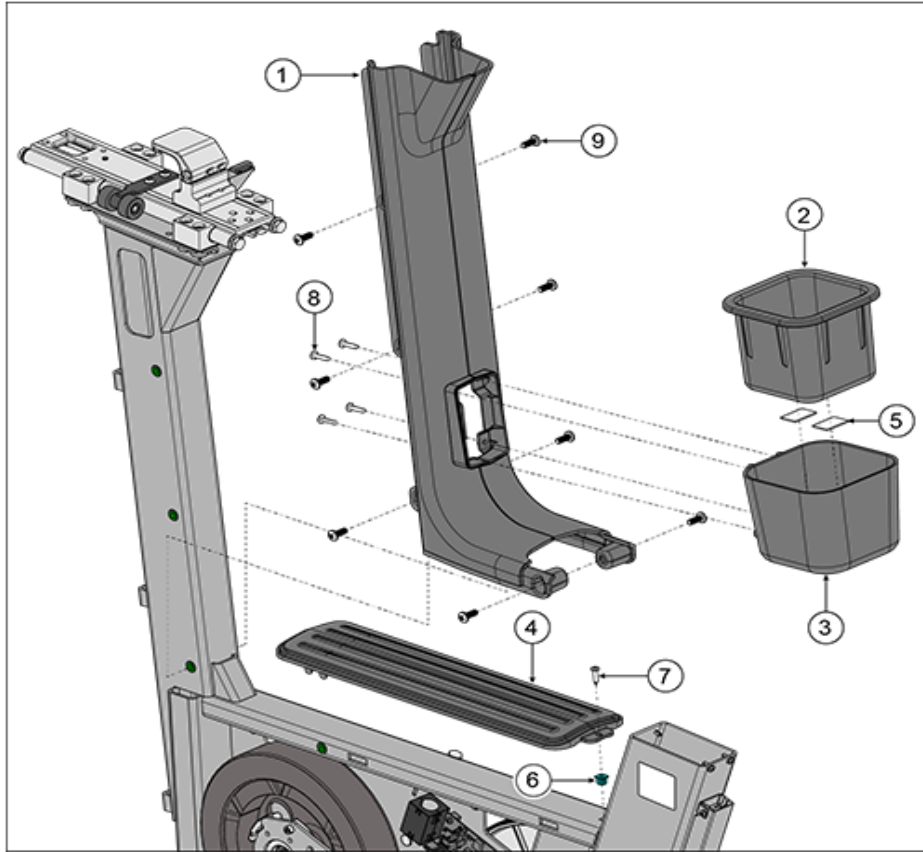
Ref #	Part Number	Qty	Description
1	0017-00042-1147	2	GROMMET: SCREW, 8 OR 10
2	0017-00101-1796	2	SCREW: M4.2 X 0.7 6G6G X 19, DIN, PHL, PAN, AB, ST, ZB
3	0017-00101-1972	12	SCREW: M5 X 0.8 X 14, PHL, PAN, MS, ST, BZ
4	0017-00101-2014	8	SCREW: M6 X 1-6G6H X 14, DIN, HEX, BUT, L, ST, ZB
5	0017-00101-2007	4	SCREW: M8 X 1.25 6G6G X 16, HEX, BUT, CS, ST
6	1024006-0001	1	HARDWARE KIT: ASSEMBLY, SYMBIO UPRIGHT BIKE

## Lower Board



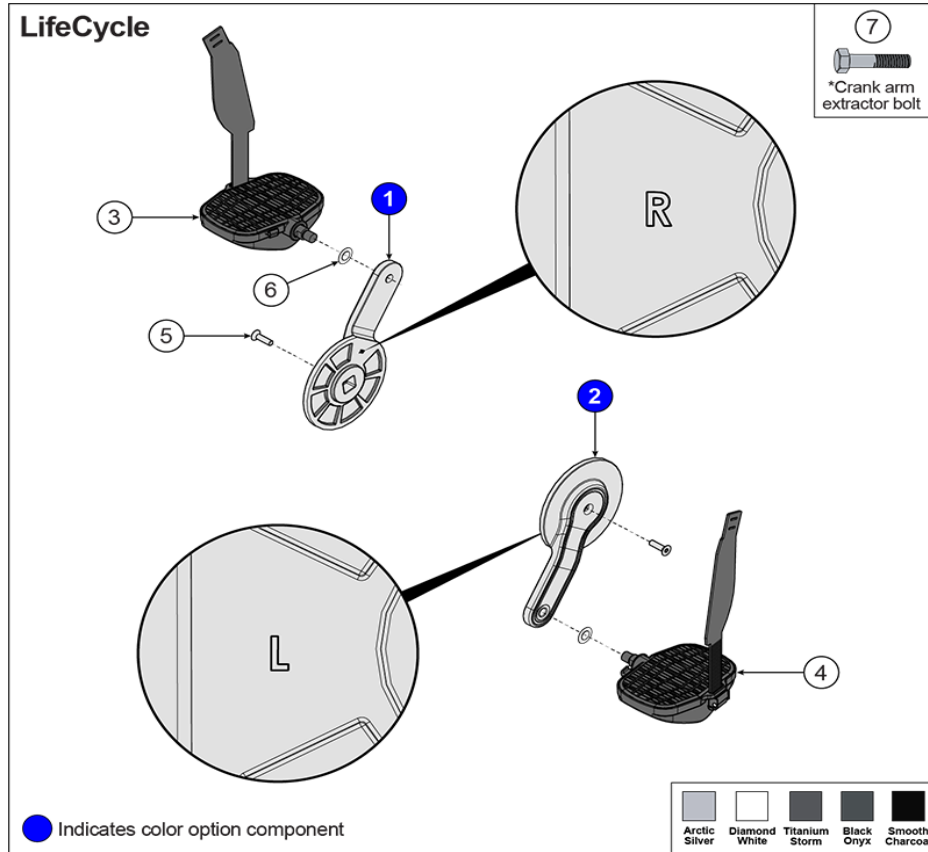
Ref #	Part Number	Qty	Description
1	1017804-0012	1	MAIN PCB ASSY: PNC CLUTCH
2	121E-00001-0023	1	FERRITE: SUPPRESSION, CORE-CASE
3	0017-00081-0346	1	TAPE: ADHESIVE, DOUBLE-SIDED
4	0017-00042-0821	6	GROMMET: SCREW, #6
5	1013169-0001	1	SPACER: M5.3 X 8 X 7, ALUMINUM
6	0017-00101-1838	6	SCREW: M3.5 X 1.3 6G6G X 19, PHL, PAN, AB, ST, ZN
7	1023067-0001	1	SCREW: M4 X 0.70-6G6G X 16, PHL, PAN, MS, ST

## Monocolumn Shroud Assembly and Cup Holder



Ref #	Part Number	Qty	Description
1	1020435-0001	1	SHROUD ASSY: MONOCOLUMN, UPRIGHT
2	1019923-0001	1	CUPHOLDER: INSERT
3	1020434-0001	1	SHROUD: CUPHOLDER, HOLDER
4	1019959-0001	1	SHROUD: TOP, STEP, UPRIGHT
5	0017-00081-0346	2	TAPE: ADHESIVE, DOUBLE-SIDED
6	0017-00042-1147	1	GROMMET: SCREW, 8 OR 10
7	0017-00101-1796	1	SCREW: M4.2 X 0.7 6G6G X 19, DIN, PHL, PAN, AB, ST, ZB
8	HT592515	4	SCREW: #10 X 3/4, PHL, PAN, PLT, ST
9	0017-00101-2138	8	SCREW: M6 X 1.0 X 16, DIN, PHL, PAN, MS, ST, ZB

## Pedals and Crank Arms



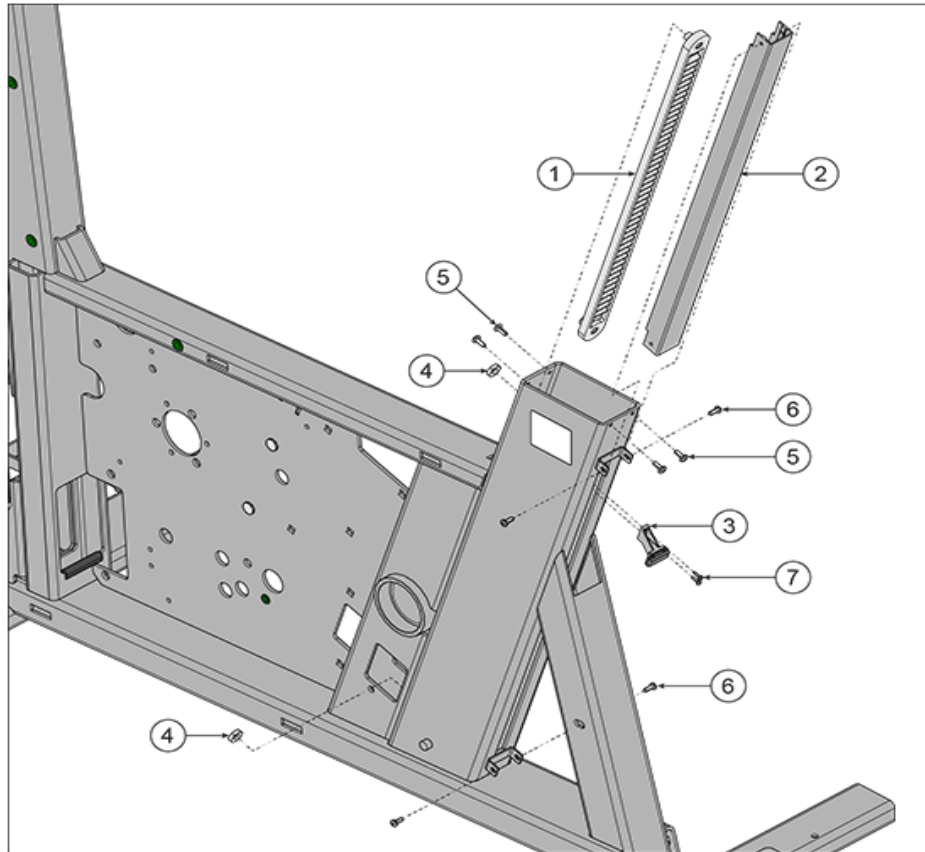
Ref #	Part Number	Qty	Description
1D	1019924-2301	1	CRANKARM: RIGHT, METALLIC BLACK
1E	1019924-2601	1	CRANKARM: RIGHT, SMOOTH CHAR GRAY
1C	1019924-2201	1	CRANKARM: RIGHT, TITANIUM
1A	1019924-0101	1	CRANKARM: RIGHT, ARCTIC SILVER
1B	1019924-2101	1	CRANKARM: RIGHT, PEARLESENT WHITE
2C	1019925-2201	1	CRANKARM: LEFT, TITANIUM
2D	1019925-2301	1	CRANKARM: LEFT, METALLIC BLACK
2A	1019925-0101	1	CRANKARM: LEFT, ARCTIC SILVER
2B	1019925-2101	1	CRANKARM: LEFT, PEARLESENT WHITE
2E	1019925-2601	1	CRANKARM: LEFT, SMOOTH CHAR GRAY
3	AK66-00047-0701	1	PEDAL ASSY: W/STRAP, STANDARD, RIGHT, BLACK
4	AK66-00048-0701	1	PEDAL ASSY: W/STRAP, STANDARD, LEFT, BLACK
5	1021626-0001	2	SCREW: M8 X 1.25 X 30, TRX, FLT, BZ
6	1024668-0001	2	WASHER: .578 X 1.062 X .05, FLT, SS, ZB
7	1025561-0001	1	SCREW: M12 X 1.50 X 30, HEX, UNS, 10.9

## Power Cords

①			98.4", 250cm
②			98.4", 250cm
③			72", 183cm
④			98.4", 250cm
⑤			72", 183cm
⑥			98.4", 250cm

Ref #	Part Number	Qty	Description
1	0017-00003-0704	1	LINE-CORD: DOM. 10A 125V B
2	0017-00003-0889	1	LINE-CORD: 10A; U.K B
3	0017-00003-1067	1	LINE-CORD: ARGENTINA, IRAM 2073, IEC-C13
4	0017-00003-0918	1	LINE-CORD: AUSTRALIA B
5	0017-00003-1053	1	LINE-CORD: BRAZIL, IEC-C13
6	0017-00003-0691	1	LINE-CORD: CON 10A 250V B

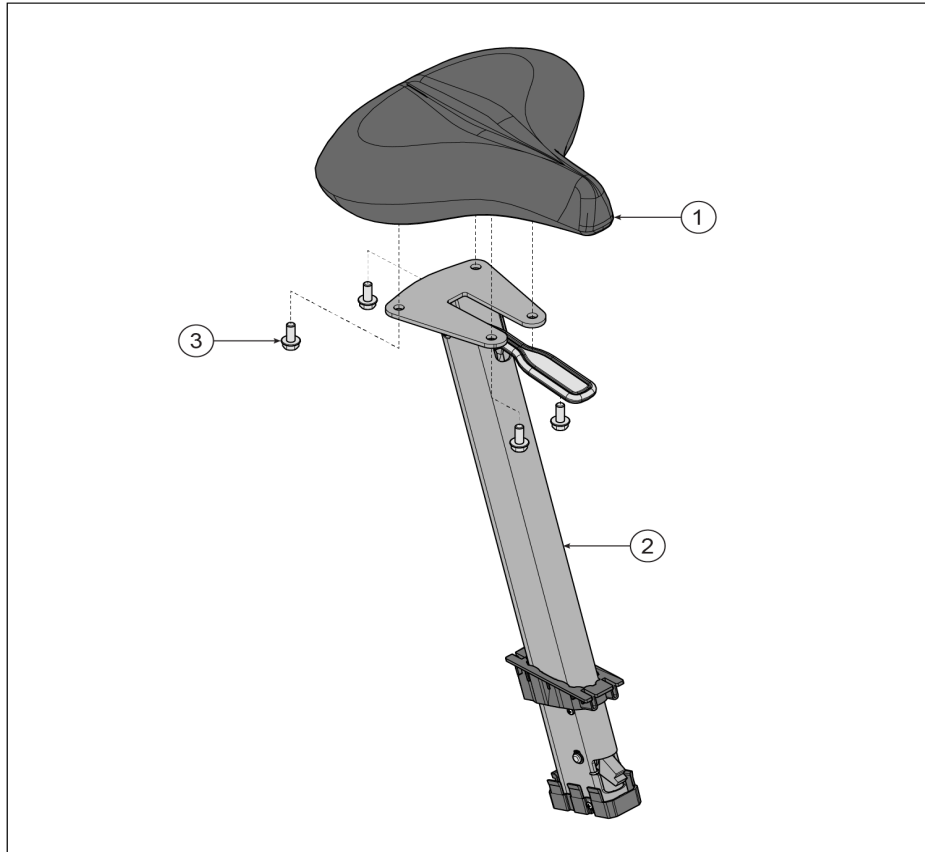
## Seat Frame Components



Ref #	Part Number	Qty	Description
1	1022354-0001	1	RACK ASSY: UP-DOWN
2	1018783-0001	1	ASSEMBLY: TARGET BOARD, BRACKET
3	1019206-0001	1	ASSEMBLY: TARGET SENSOR, SEAT
4	0017-00103-0338	2	VMI NUT M8X1.25-6H6H DIN L THIN ST ZB B
5	0017-00101-1968	4	SCREW: M4 X 0.7 X 10, PHL, PAN, TT, ST, ZS
6	1010103-0001	4	SCREW: M4 X 1.79 X 10, PHL, PAN, PLT, ST, ZC
7	1009931-0001	2	SCREW: M2.5 x 0.45 x 8, PHL, PAN, TT, ST

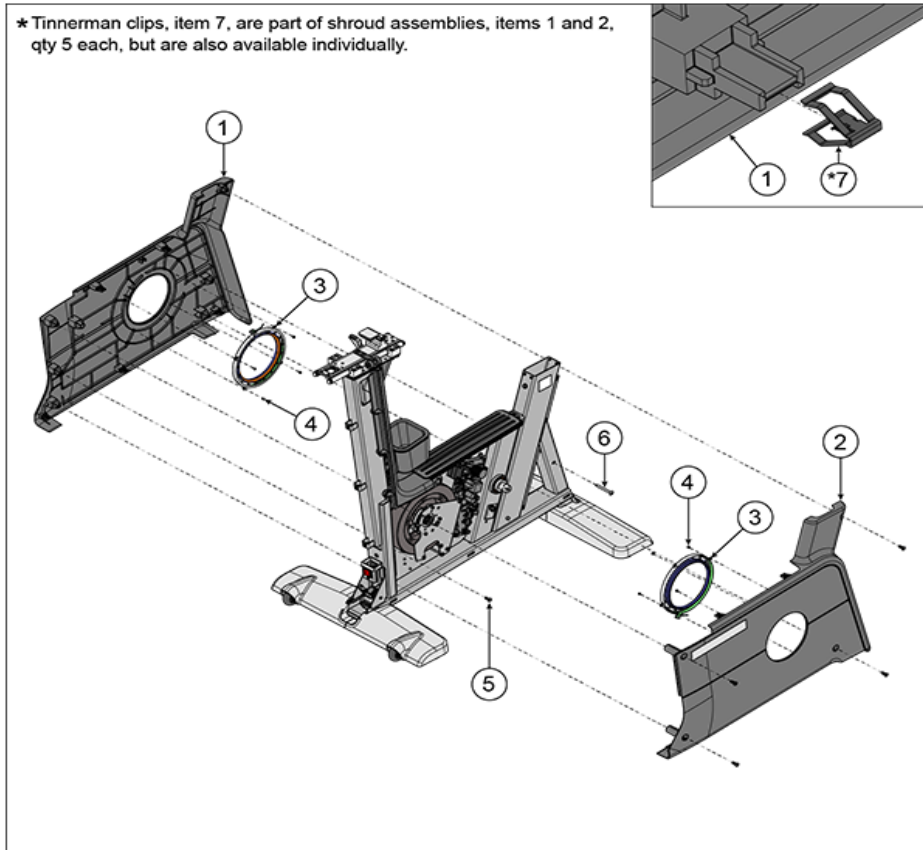
## Seat Post Assembly

---



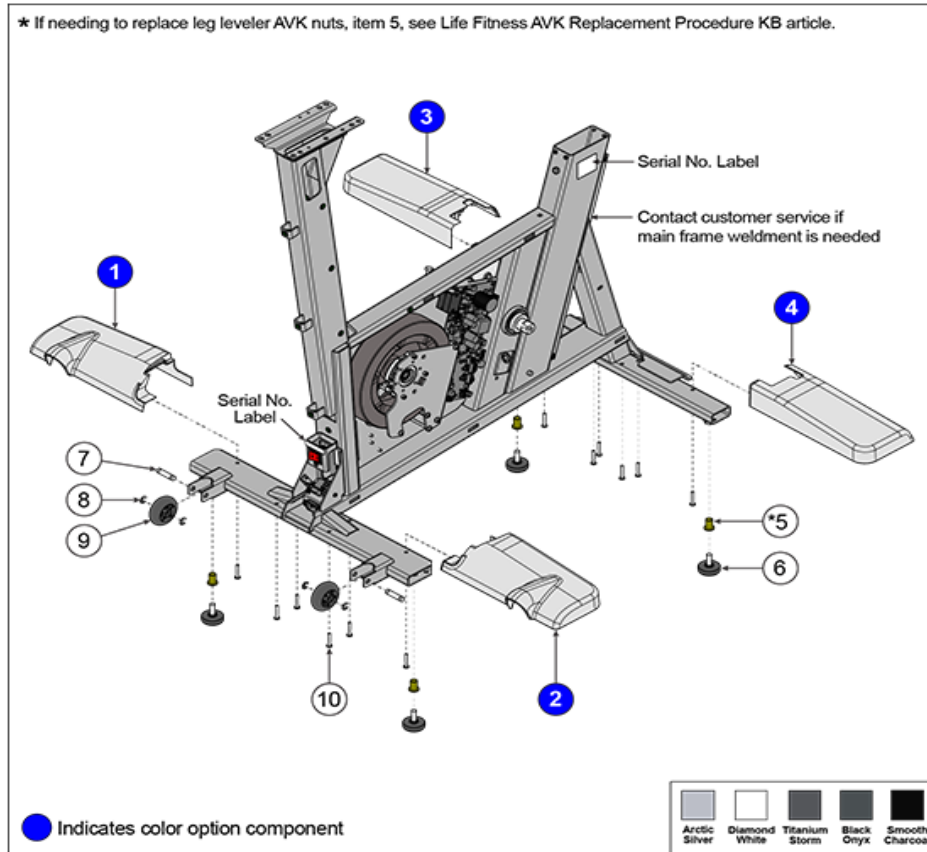
Ref #	Part Number	Qty	Description
1	1022928-0001	1	SEAT: UPHOLSTERED, UPRIGHT BIKES
2	0017-00101-2150	1	SCREW: M8 X 1.25 6G6H X 20, UHS, HXW, CS, ST, ZB
3	1022256-0001	4	ASSEMBLY: SEAT POST

## Side Covers and Light Rings



Ref #	Part Number	Qty	Description
1	1024802-0001	1	ASSEMBLY: SHROUD WITH DECAL, UPRIGHT BIKE, RIGHT
2	1024801-0001	1	ASSEMBLY: SHROUD WITH DECAL, UPRIGHT BIKE, LEFT
3	1022342-0001	2	ASSEMBLY: LIGHT RING, BIKE CRANK
4	0017-00101-1971	8	SCREW: M3 X 0.5 6G6G X 6, DIN, PHL, PAN, MS, ST, ZN
5	0017-00101-2138	1	SCREW: M6 X 1.0 X 16, DIN, PHL, PAN, MS, ST, ZB
6	1022740-0001	1	SCREW: M6 X 1.0 -6G6G X 60, PHL, TRS, MS, ST
7	1002263-0001	10	CLIP: M9.55 X 16.5, FASTENER, SPRING

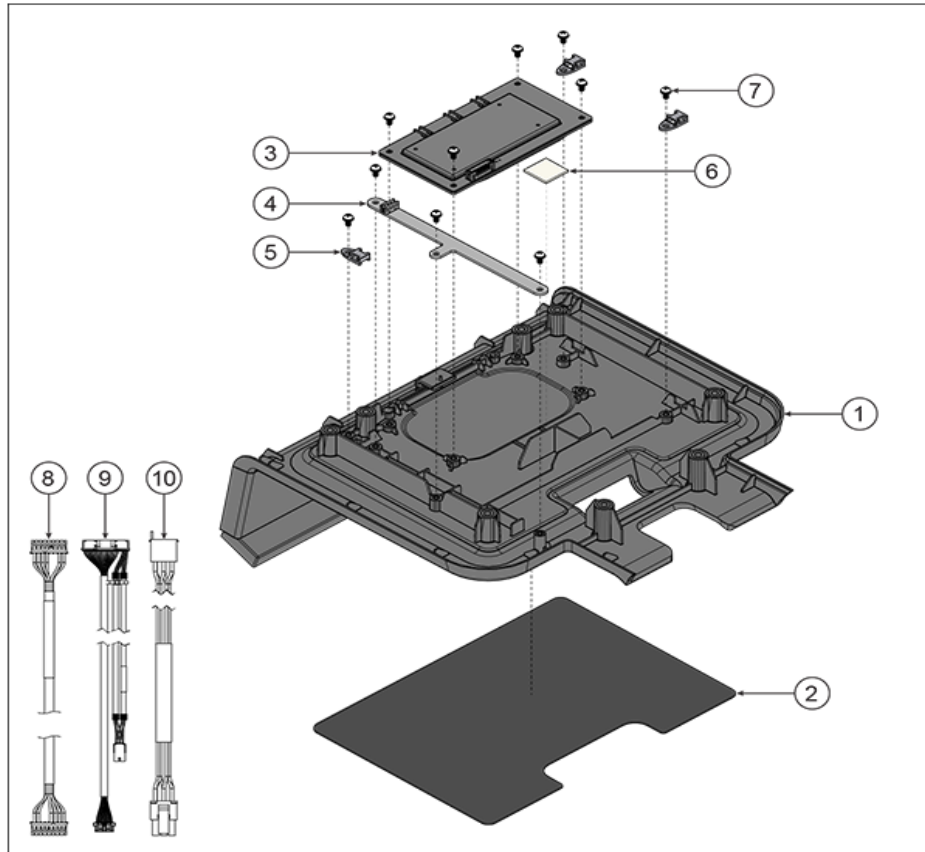
## Stabilizer Castings and Leveling Feet



Ref #	Part Number	Qty	Description
1C	1020102-2101	3	CASTING: STABILIZER, FRONT, RIGHT, PEARLESENT WHITE
1B	1020102-2601	2	CASTING: STABILIZER, FRONT, RIGHT, SMOOTH CHAR GRAY
1A	1020102-0101	1	CASTING: STABILIZER, FRONT, RIGHT, ARCTIC SILVER
1D	1020102-2201	4	CASTING: STABILIZER, FRONT, RIGHT, TITANIUM
1E	1020102-2301	5	CASTING: STABILIZER, FRONT, RIGHT, METALLIC BLACK
2C	1019911-2101	8	CASTING: STABILIZER, FRONT, LEFT, PEARLESENT WHITE
2A	1019911-0101	6	CASTING: STABILIZER, FRONT, LEFT, ARCTIC SILVER
2D	1019911-2201	9	CASTING: STABILIZER, FRONT, LEFT, TITANIUM
2B	1019911-2601	7	CASTING: STABILIZER, FRONT, LEFT, SMOOTH CHAR GRAY
2E	1019911-2301	10	CASTING: STABILIZER, FRONT, LEFT, METALLIC BLACK
3A	1020101-0101	11	CASTING: STABILIZER, REAR, RIGHT, ARCTIC SILVER
3B	1020101-2601	12	CASTING: STABILIZER, REAR, RIGHT, SMOOTH CHAR GRAY
3E	1020101-2301	15	CASTING: STABILIZER, REAR, RIGHT, METALLIC BLACK
3C	1020101-2101	13	CASTING: STABILIZER, REAR, RIGHT, PEARLESENT WHITE

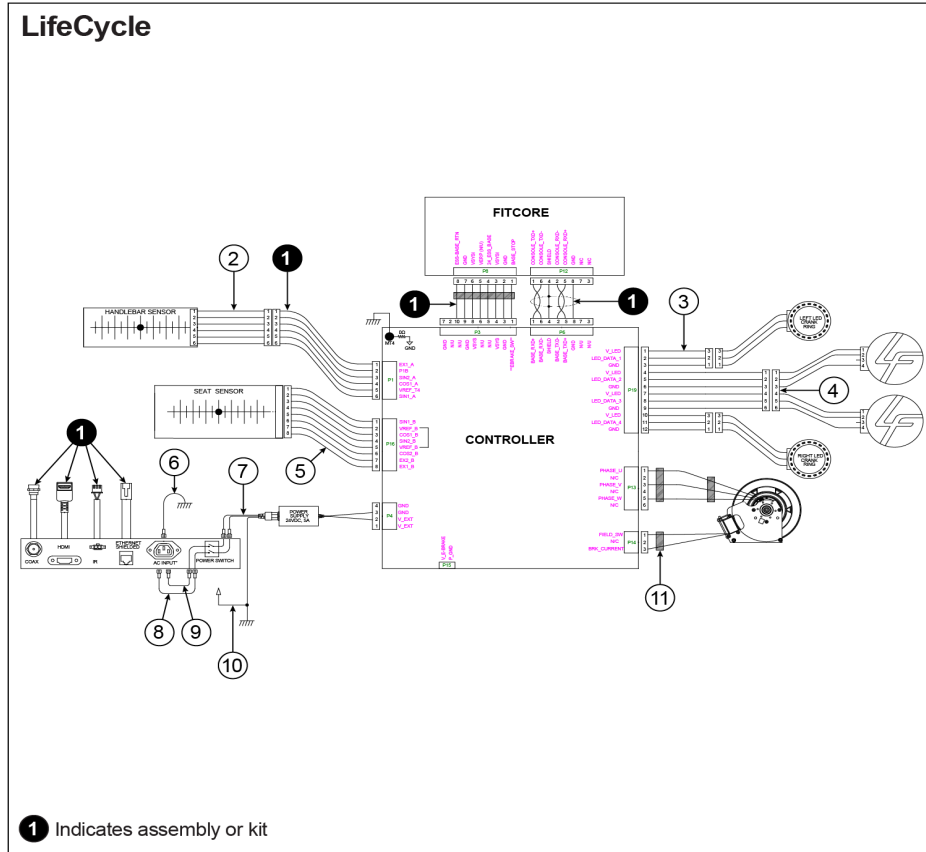
Ref #	Part Number	Qty	Description
3D	1020101-2201	14	CASTING: STABILIZER, REAR, RIGHT, TITANIUM
4A	1019910-0101	16	CASTING: STABILIZER, REAR, LEFT, ARCTIC SILVER
4D	1019910-2201	19	CASTING: STABILIZER, REAR, LEFT, TITANIUM
4C	1019910-2101	18	CASTING: STABILIZER, REAR, LEFT, PEARLESENT WHITE
4B	1019910-2601	17	CASTING: STABILIZER, REAR, LEFT, SMOOTH CHAR GRAY
4E	1019910-2301	20	CASTING: STABILIZER, REAR, LEFT, METALLIC BLACK
5	1020846-0001	4	INSERT: M10 X 1.5 X 19.75, INTERNAL, ST
6	AK62-00124-0000	4	LEVELER: LEG, ASSEMBLY
7	1019546-0001	2	SHAFT: M10, WHEEL
8	1011049-0001	4	RING: M10, E-RING, ST
9	1010977-0001	2	WHEEL: NON-TREAD
10	1020317-0001	12	SCREW: M5 X 0.8 X 30, PHL, PAN, ST, ZB

## Tray Assembly



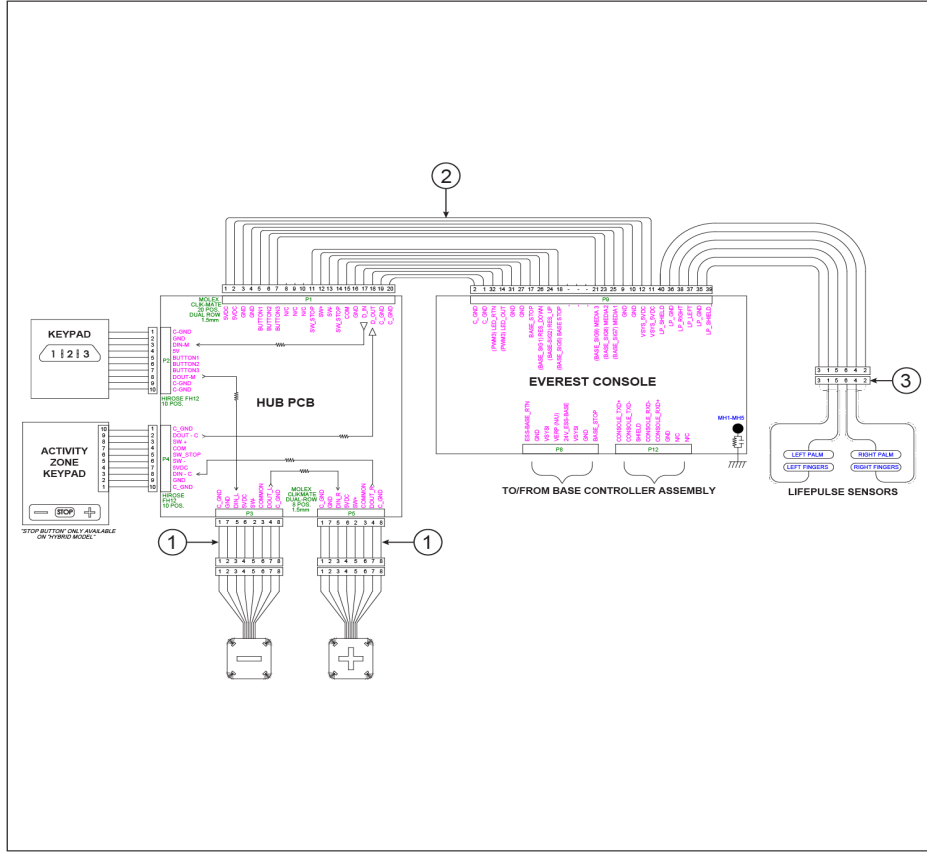
Ref #	Part Number	Qty	Description
1	1019927-0001	1	SHROUD ASSY: TRAY, UPPER
2	1021547-0001	1	PAD ASSY: WIRELESS CHARGER, ADHESIVE
3	1011883-0001	1	PCB ASSY: SE4, WIRELESS CHARGER
4	1021657-0011	1	MAIN PCB ASSY: TYPE1 100MM LINEAR SENSOR MH
5	1020367-0001	3	CABLE TIE: MOUNT, 4 WAY
6	0017-00042-1155	1	CABLE TIE: ADHESIVE-BACKED
7	0017-00101-1971	10	SCREW: M3 X 0.5 6G6G X 6, DIN, PHL, PAN, MS, ST, ZN
8	1014289-0002	1	CABLE ASSY: WIRELESS CHARGER, 12V & UART
9	1023650-0001	1	CABLE: FITCORE TO UPRIGHT HUB
10	1020716-0001	1	CABLE ASSY: HANDLEBAR SENSOR, EVEREST UPRIGHT

## Wiring Diagram - Base



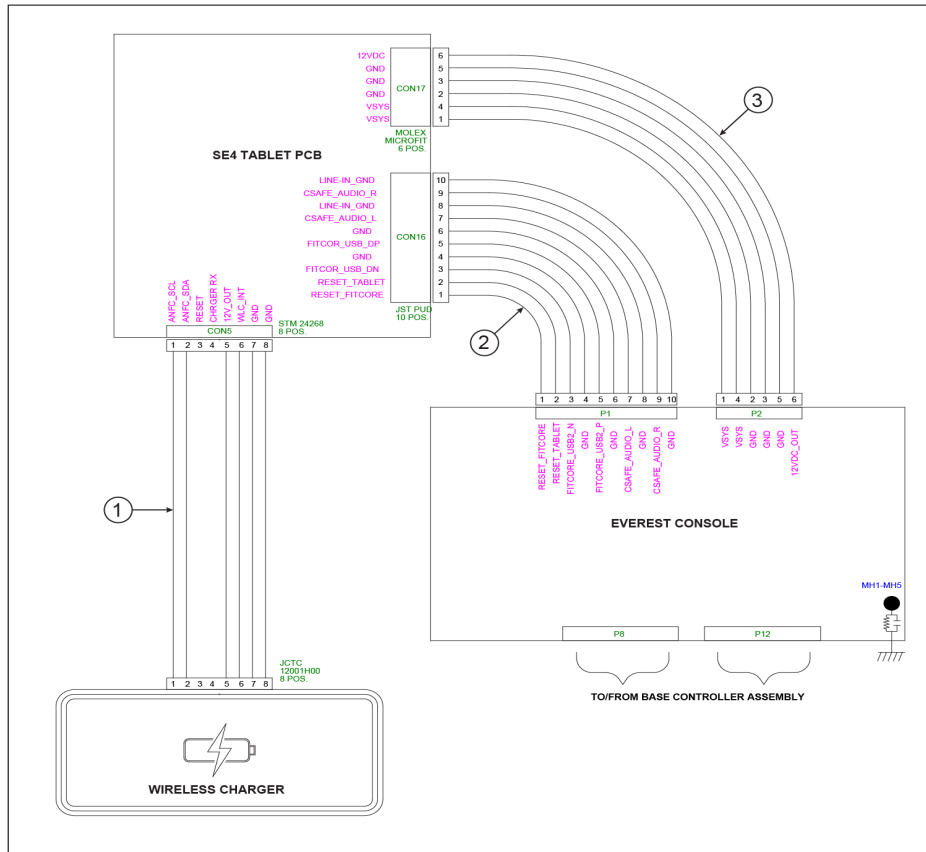
Ref #	Part Number	Qty	Description
1	1024803-0001	1	ASSEMBLY: WIRE HARNESS, TRADITIONAL
2	1020716-0001	1	CABLE ASSY: HANDLEBAR SENSOR, EVEREST UPRIGHT
3	1023652-0001	1	CABLE: BASE LIGHTING, 1271MM
4	1023653-0001	1	CABLE: LF BUG, Y SPLITTER
5	1020715-0001	1	CABLE: SEAT SENSOR, 305MM
6	1004201-0001	1	CABLE: GROUND
7	1023063-0001	1	CABLE: LINE FILTER TO POWER SUPPLY
8	1004046-0005	1	CABLE: POWER INPUT, WHITE, 330.2MM
9	1004046-0006	1	CABLE: POWER INPUT, BLACK, 330.2MM
10	1012728-0002	1	CABLE: GROUND, MOTOR
11	121E-00001-0023	1	FERRITE: SUPPRESSION, CORE-CASE

# Wiring Diagram - Console to Handlebar Assembly



Ref #	Part Number	Qty	Description
1	1021400-0001	1	CABLE: KEYPAD EXTENSION
2	1023650-0001	1	CABLE: FITCORE TO UPRIGHT HUB
3	1021107-0002	1	CABLE: HR ELECTRODES TO CABLE, 300MM

## Wiring Diagram - Console to Wireless Charger



Ref #	Part Number	Qty	Description
1	1014289-0002	1	CABLE ASSY: WIRELESS CHARGER, 12V & UART
2	1014282-0001	1	CABLE: USB RNDIS COMM TABLET & FITCORE
3	1014283-0001	1	CABLE: POWER VSYS FITCORE TO TABLET 12-24V

