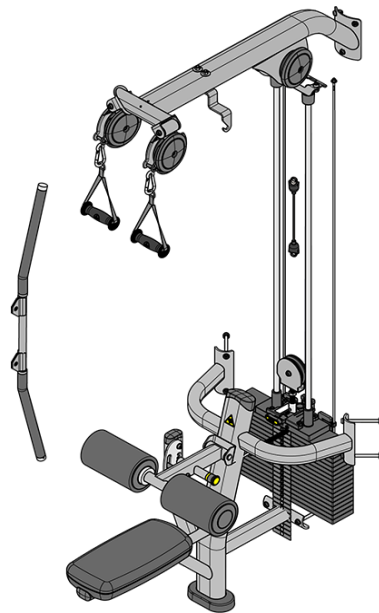


# LF PWR PLAY DUAL CABLE PULLDOWN

LPP-DP

## Parts Manual

2/20/2025 10:43:20 AM

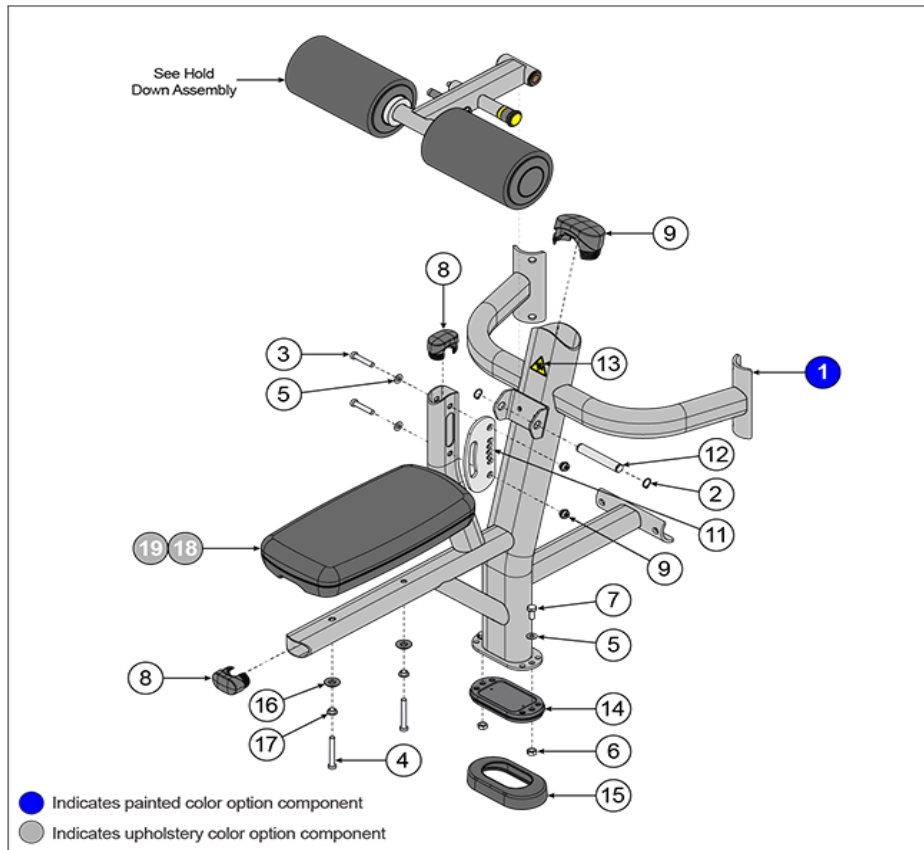


**Table of Contents**

---

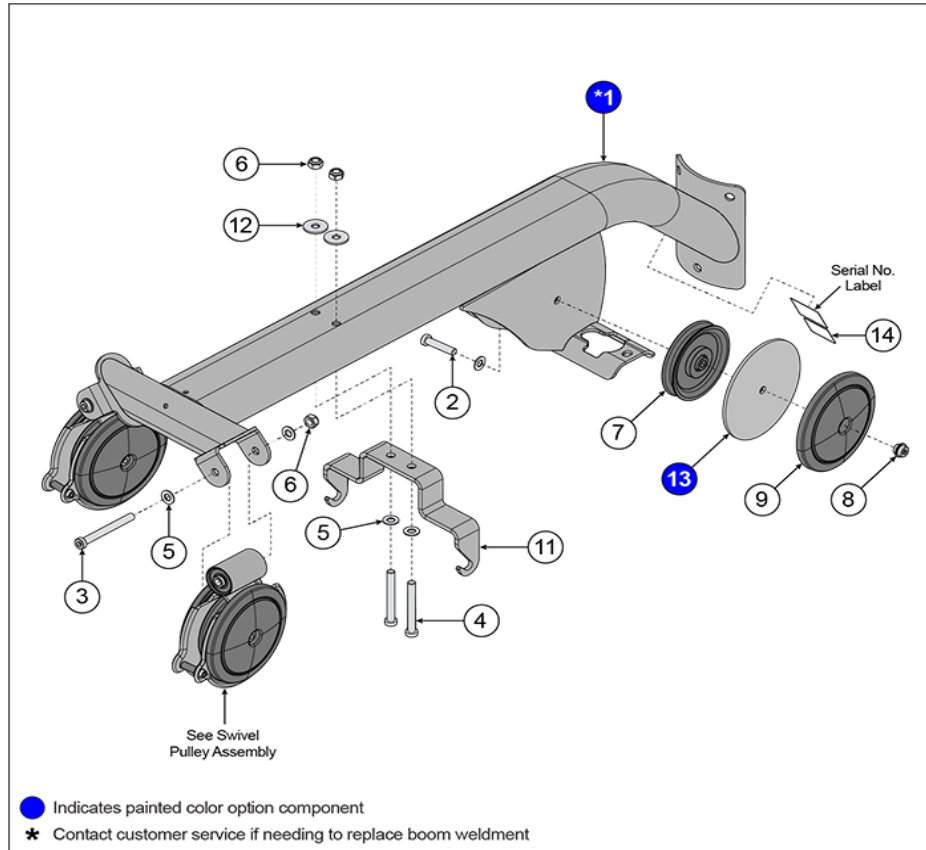
[Bench Assembly](#).....3  
[Boom Assembly](#).....4  
[Cable Routing](#).....5  
[Components](#).....6  
[Core Assembly](#).....8  
[Floating Single Pulley Assembly](#).....10  
[Hardware Kit 1](#).....11  
[Hardware Kit 2](#).....12  
[Headplate Assembly](#).....13  
[Hold Down Assembly](#).....14  
[Increment Weight Assembly](#).....15  
[Optional Front Shrouds](#).....16  
[Swivel Pulley Assembly](#).....17  
[Weight Stack](#).....18

## Bench Assembly



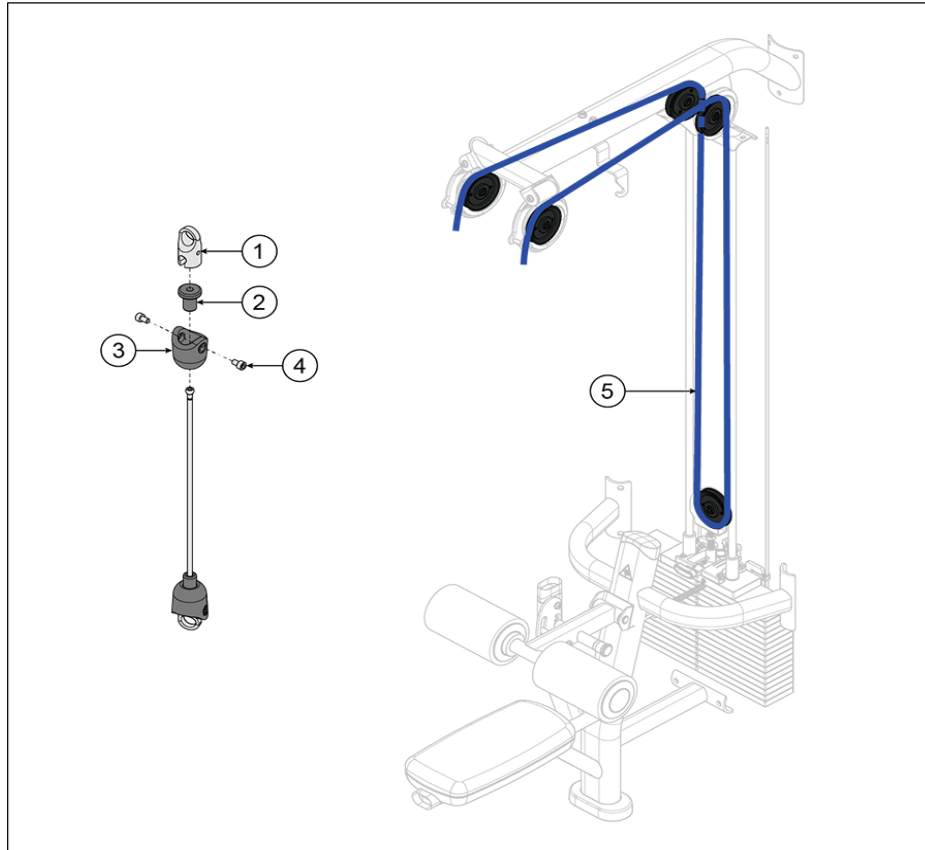
Ref #	Part Number	Qty	Description
1	1025441-0000	1	WELDMENT: BENCH
2	3232415	2	RNG:BRE .704 5100-075 ST PP B
3	3236207	2	M10 X 1.5 X 50 SHCS, LOW HEAD
4	3236212	2	M10 X 1.5 X 75 SHCS, LOW HEAD
5	3236601	1	WASHER, 3/8 SAE STAINLESS STEEL
6	3254703	2	NUT, M10 X 1.5 HEX ZINC
7	3251202	2	M10 X 1.5 X 25MM UNS HEX CS ST ZN
8	7333802	2	CAP, SMALL FLOV-END
9	7333902	1	CAP, LARGE FLOV-END; CHGR
10	7335401	2	NUT, M10 X 1.5 SOCKET HEAD
11	7633601	1	PLATE, MJLP/LPD, ADJUST
12	7633702	1	SHAFT, CM/MJ, PIVOT X 4.230
13	8039501	1	LABEL, WARNING TRIANGLE
14	7334001	1	FOOT, 2.50 X 4.49 FLOV, 10-0074-046, BNR
15	7340202	1	COVER, FOOT, STRAIGHT -BLK
16	1012186-0001	2	SPACER: 1-1/4 OD X 1/4
17	7630101	2	RETAINER, CM/MJ, PULLEY
18b	1000006-0099	1	PAD, 18 X 9 CONVEX CUS, SNGL STITCH- Custom
18a	1000006-0001	1	PAD, 18 X 9 CONVEX CUS, SNGL STITCH- BLACK
19a	1000006-0101	1	PAD, 18 X 9 CONVEX CUS, DBL STITCH- BLACK
19b	1000006-0199	1	PAD, 18 X 9 CONVEX CUS, DBL STITCH- Custom

# Boom Assembly



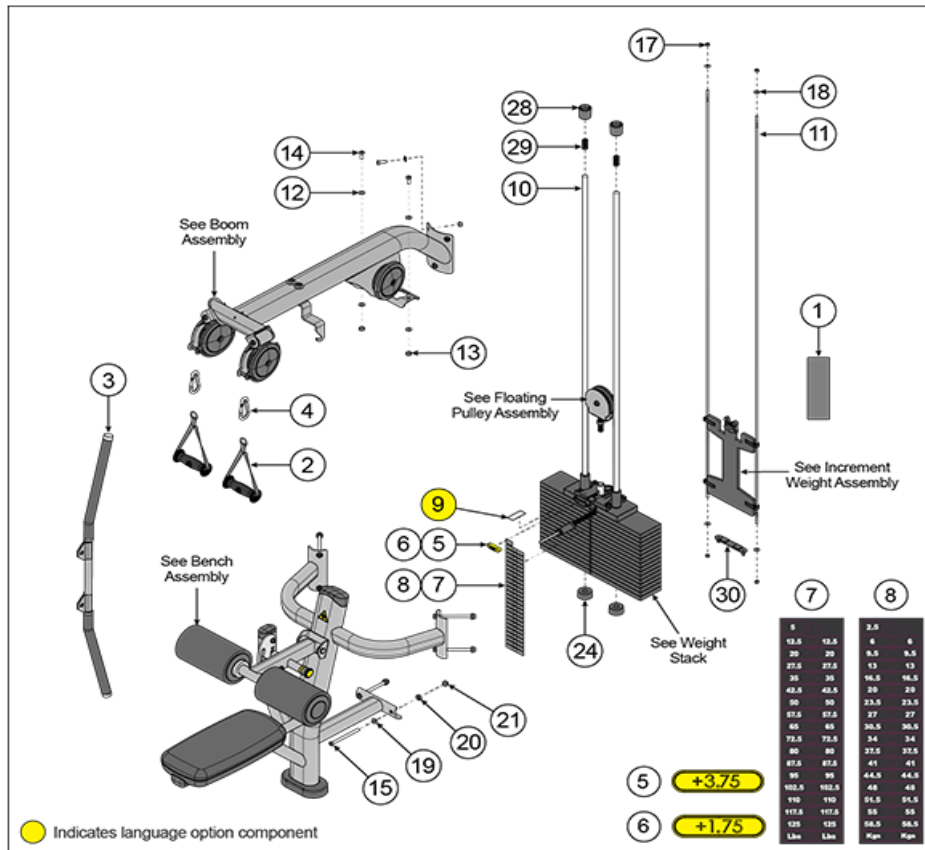
Ref #	Part Number	Qty	Description
1	1024254-0000	1	WELDMENT: BOOM
2	3236206	2	M10 X 1.5 X 45 SHCS, LOW HEAD
3	3236217	2	M10 X 1.5 X 100 SHCS, LOW HEAD
4	3236214	2	M10 X 1.5 X 85 SHCS, LOW HEAD
5	3236601	8	WASHER, 3/8 SAE STAINLESS STEEL
6	3236801	4	NUT, NYLOCK M10 X 1.5 SS
7	3237802	2	PULLEY, 1/4 IN CABLE (T3), 4.5 IN OD
8	7335401	2	NUT, M10 X 1.5 SOCKET HEAD
9	7629902	2	COVER, PULLEY-BOLTED FULL
10	7630101	1	RETAINER, CM/MJ, PULLEY
11	1024258-0028	1	BRACKET: LAT BAR STORAGE -CHR
12	3236602	2	WASHER, 3/8 ID X 1.25 OD SS
13	7301101	1	Plate, Pulley White
14	1026164-0001	1	DECAL: FCC/PATENT

## Cable Routing



Ref #	Part Number	Qty	Description
1	8943601	2	LINK, CM/MJ, CABLE END
2	8943802	2	INSERT, CABLE END -CHR
3	8943702	2	HSNG, CABLE END -CHR
4	3250002	4	M5 X 0.8 X 8 HXS SOC CS ST BZ
5	9424811	1	CABLE: LPP-DP

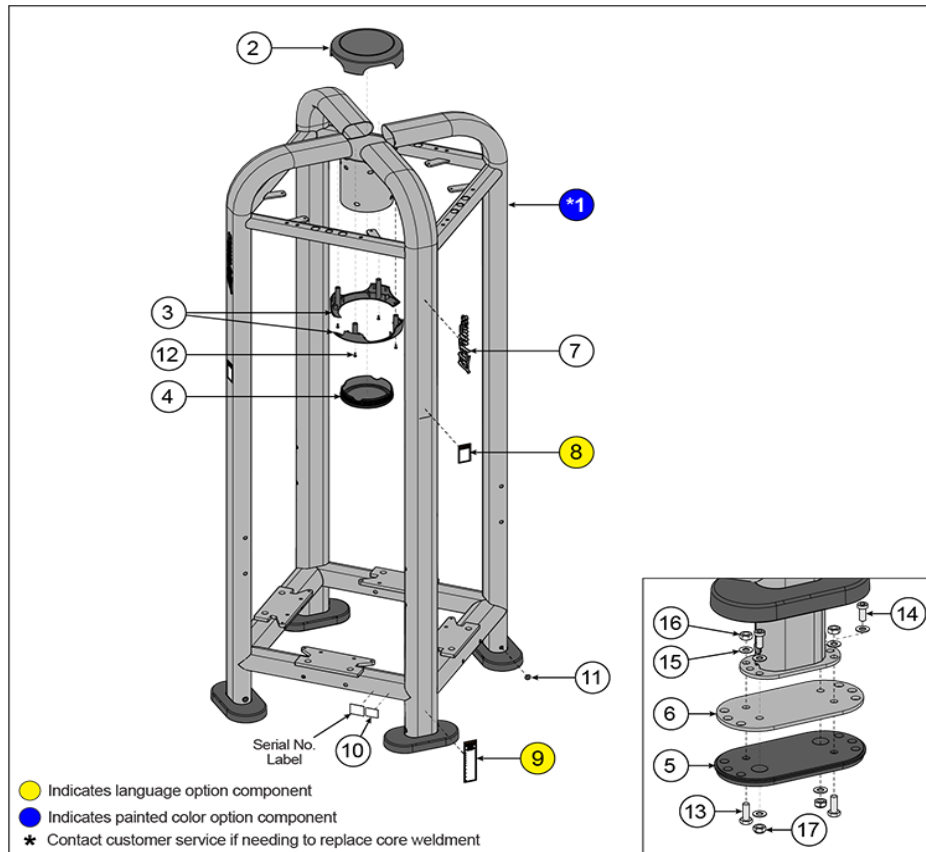
**Components**



Ref #	Part Number	Qty	Description
1	1024722-0001	1	LABEL: LPP-DP PLACARD
2	8219601	2	HANDLE, CM/MJ/OSDAP, SHORT STRAP
3	1005294-0001	1	ASSY, LAT BAR, DBL CBL
4	3250201	2	SNAP LINK, 3/8" DIA
5	1006751-0001	1	CAP: 3.75 KG INC WEIGHT - KG
6	1025557-0001	1	CAP: 1.75 INC WEIGHT
7	1025405-0001	1	LABEL: WEIGHT STACK, 3/4", 2:1, LB
8	1025406-0001	1	LABEL: WEIGHT STACK, 3/4", 2:1, KG
9b	7744502	1	LABEL, WEIGHT AT HANDLE-GER
9a	7744501	1	LABEL, WEIGHT AT HANDLE-ENG
9f	7744506	1	LABEL, WEIGHT AT HANDLE-DUT
9d	7744504	1	LABEL, WEIGHT AT HANDLE-SPN
9i	7744510	1	LABEL, WEIGHT AT HANDLE -RUS
9l	7744513	1	LABEL, WEIGHT AT HANDLE -ARA
9n	7744515	1	LABEL, WEIGHT AT HANDLE -DAN
9e	7744505	1	LABEL, WEIGHT AT HANDLE-ITL
9k	7744512	1	LABEL, WEIGHT AT HANDLE -CHI
9g	7744507	1	LABEL, WEIGHT AT HANDLE-JAP
9j	7744511	1	LABEL, WEIGHT AT HANDLE -TUR
9c	7744503	1	LABEL, WEIGHT AT HANDLE-FRN
9m	7744514	1	LABEL, WEIGHT AT HANDLE -SWD
9h	7744508	1	LABEL, WEIGHT AT HANDLE-POR

Ref #	Part Number	Qty	Description
10	7328630	2	GUIDE ROD, .75 OD SOLID X 71.20
11	1024970-0001	2	GUIDE ROD: INC WEIGHT, 0.25" OD SOLID, 2 FLATS, 73.813"
12	3236601	5	WASHER,3/8 SAE STAINLESS STEEL
13	3236801	5	NUT, NYLOCK M10 X 1.5 SS
14	3236202	5	M10 X 1.5 X 25 SHCS, LOW HEAD
15	3236220	6	M10 X 1.5 X 130 SHCS, LOW HEAD
17	3102806	4	NUT, NYLOCK 1/4-20
18	3102506	4	WASHER, FLAT 1/4 ID ZN
19	7630101	6	RETAINER, CM/MJ, PULLEY
20	7634701	6	SPACER, CM/MJ, .565 X .815
21	7335401	6	NUT, M10 X 1.5 SOCKET HEAD
22	7642302	1	PLUG, CM/MJ, PLUG -CHR
23	3237407	2	PLUG, 1 IN HOLE
24	7352101	2	CUSHION, WEIGHT STACK
25	8943601	2	LINK, CM/MJ, CABLE END
26	8943702	2	HSNG, CABLE END -CHR
27	8943802	2	INSERT, CABLE END -CHR
28	1011495-0001	2	HOUSING: GUIDE ROD, OP
29	1011496-0001	2	SPRING: 0.72IN OD, 0.596IN ID, 1.50IN LG
30	1024754-0001	1	BUMPER: INCR. SYSTEM, 0.5"

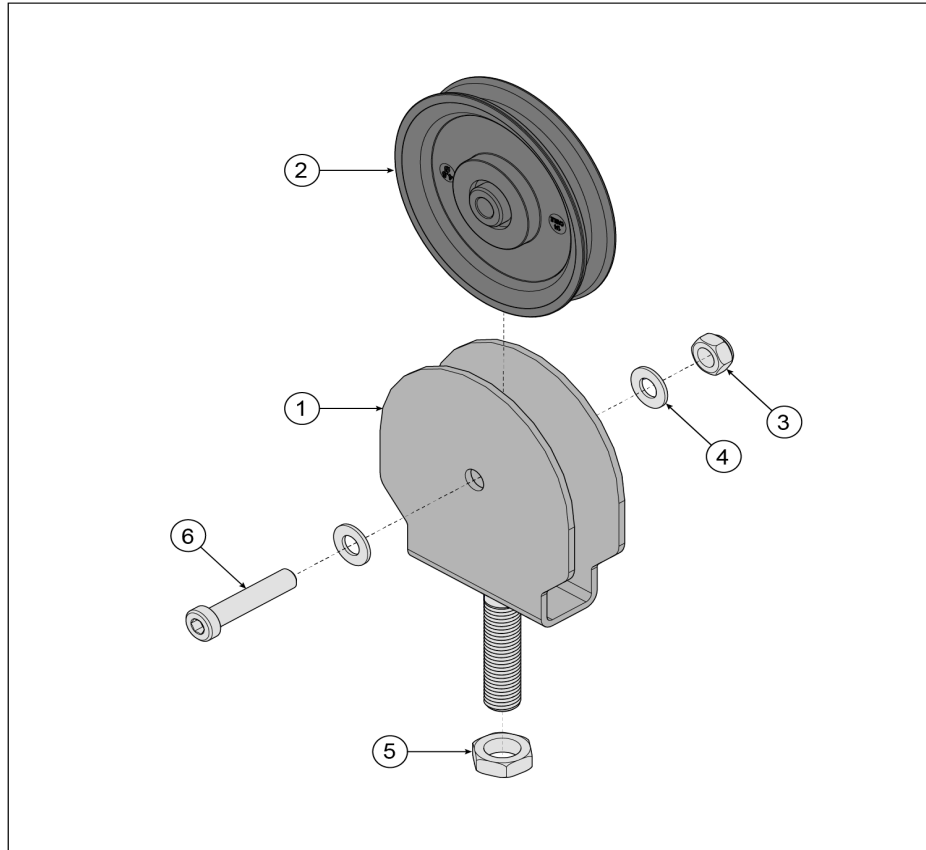
### Core Assembly



Ref #	Part Number	Qty	Description
1	1024991-0000	1	WLDMT: LPP-CORE Custom
2	7629202	1	COVER, CENTER TOP -CHR
3	7629802	2	COVER, CENTER BOTTOM -CHR
4	7640402	1	COVER, BOTTOM CAP -CHR
5	9199101	4	FOOT, FXT FLOV - LARGE
6	9173101	4	PLATE, FOOT, 9.5 X 4.75
7	8866901	4	LABEL, LF LOGO 10 IN. - FLAT
8m	9141114	4	LABEL, WARNING, STRAP TRAIN -SWD
8j	9141111	4	LABEL, WARNING, STRAP TRAIN -TUR
8k	9141112	4	LABEL, WARNING, STRAP TRAIN -CHI
8n	9141115	4	LABEL, WARNING, STRAP TRAIN -DAN
8d	9141104	4	LABEL, WARNING, STRAP TRAINING -SPN
8e	9141105	4	LABEL, WARNING, STRAP TRAINING -ITA
8l	9141113	4	LABEL, WARNING, STRAP TRAIN -ARA
8i	9141110	4	LABEL, WARNING, STRAP TRAINING -RUS
8g	9141107	4	LABEL, WARNING, STRAP TRAINING -JAP
8a	9141101	4	LABEL, WARNING, STRAP TRAINING -ENG
8h	9141108	4	LABEL, WARNING, STRAP TRAINING -POR
8b	9141102	4	LABEL, WARNING, STRAP TRAINING -GER
8c	9141103	4	LABEL, WARNING, STRAP TRAINING -FRN
8f	9141106	4	LABEL, WARNING, STRAP TRAINING -DUT
9e	8220005	1	Label, ASTM, Select Vertical - Italian

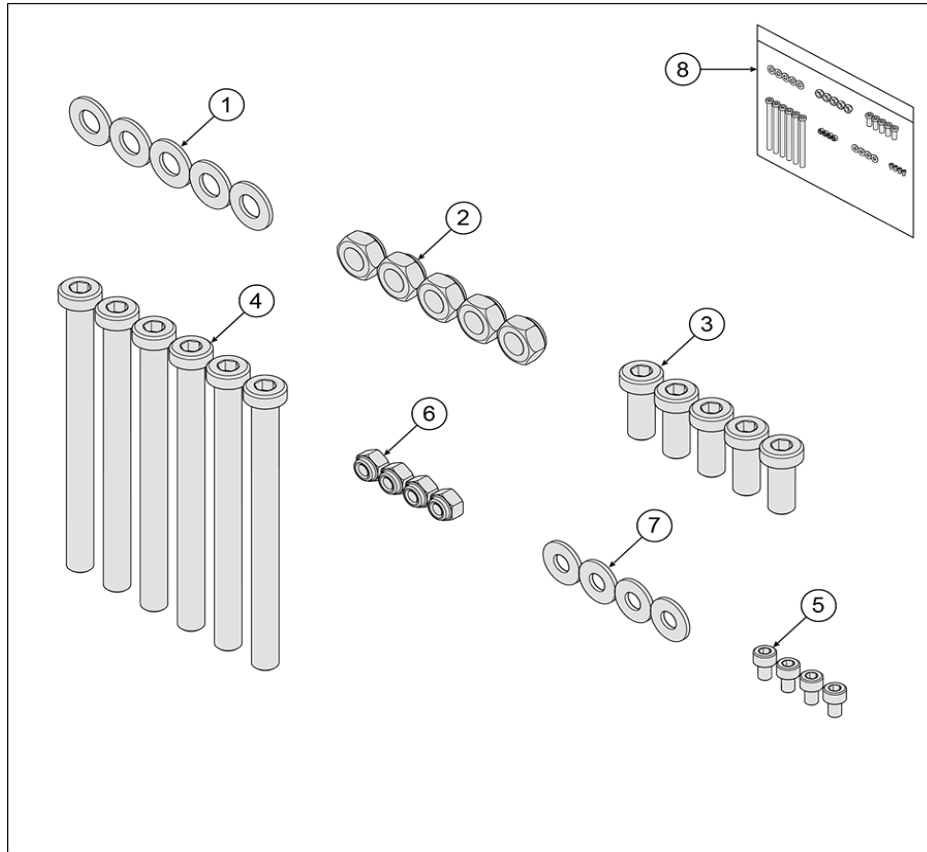
Ref #	Part Number	Qty	Description
9d	8220004	1	Label, ASTM, Select Vertical - Spanish
9h	8220008	1	Label, ASTM, Select Vertical - Portugese
9f	8220006	1	Label, ASTM, Select Vertical - Dutch
9k	8220012	1	Label, ASTM, Select Vertical - English Ice Blue Metallic
9n	8220015	1	Label, ASTM, Select Vertical - English Yellow
9i	8220010	1	Label, ASTM, Select Vertical - Russian
9b	8220002	1	Label, ASTM, Select Vertical - German
9m	8220014	1	Label, ASTM, Select Vertical - English Blue
9l	8220013	1	Label, ASTM, Select Vertical - English Red
9a	8220001	1	Label, ASTM, Select Vertical - English
9c	8220003	1	Label, ASTM, Select Vertical - French
9g	8220007	1	Label, ASTM, Select Vertical - Japanese
9j	8220011	1	Label, ASTM, Select Vertical - Turkish
10	9488901	1	LABEL, INSIGNIA, FCC
11	7646802	8	PLUG, CURVED HOLE -CHR
12	3236501	4	M4 X 0.7 PHIL PAN MS ST ZN
13	3251203	8	M10 X 1.5 X 30MM UNS HEX CS ST ZN
14	3236202	8	M10 X 1.5 X 25 SHCS, LOW HEAD
15	3236601	24	WASHER,3/8 SAE STAINLESS STEEL
16	3254703	8	NUT, M10 X 1.5 HEX ZINC
17	3236801	8	NUT, NYLOCK M10 X 1.5 SS

## Floating Single Pulley Assembly



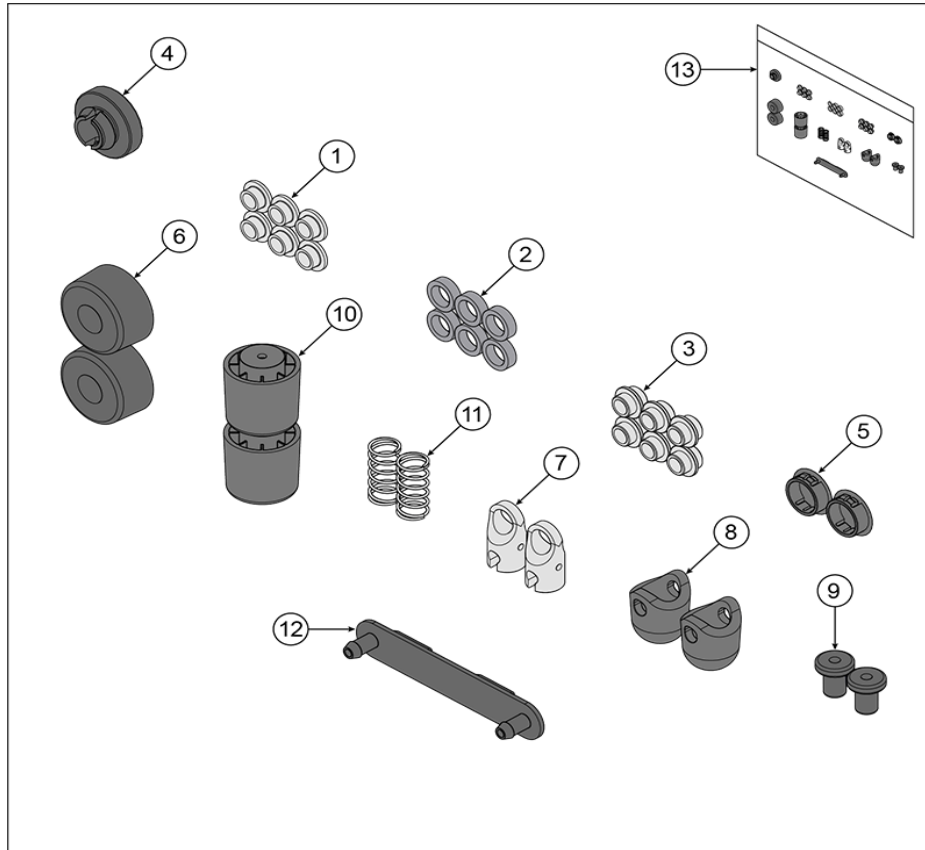
Ref #	Part Number	Qty	Description
1	1013240-2801	1	WELDMENT: FLOATING SINGLE PULLEY -CHG
2	3237802	1	PULLEY, 1/4 IN CABLE (T3), 4.5 IN OD
3	3236801	1	NUT, NYLOCK M10 X 1.5 SS
4	3236601	2	WASHER, 3/8 SAE STAINLESS STEEL
5	3236902	1	NUT, HEX JAM M16 X 2 SS
6	3236207	1	M10 X 1.5 X 50 SHCS, LOW HEAD

**Hardware Kit 1**



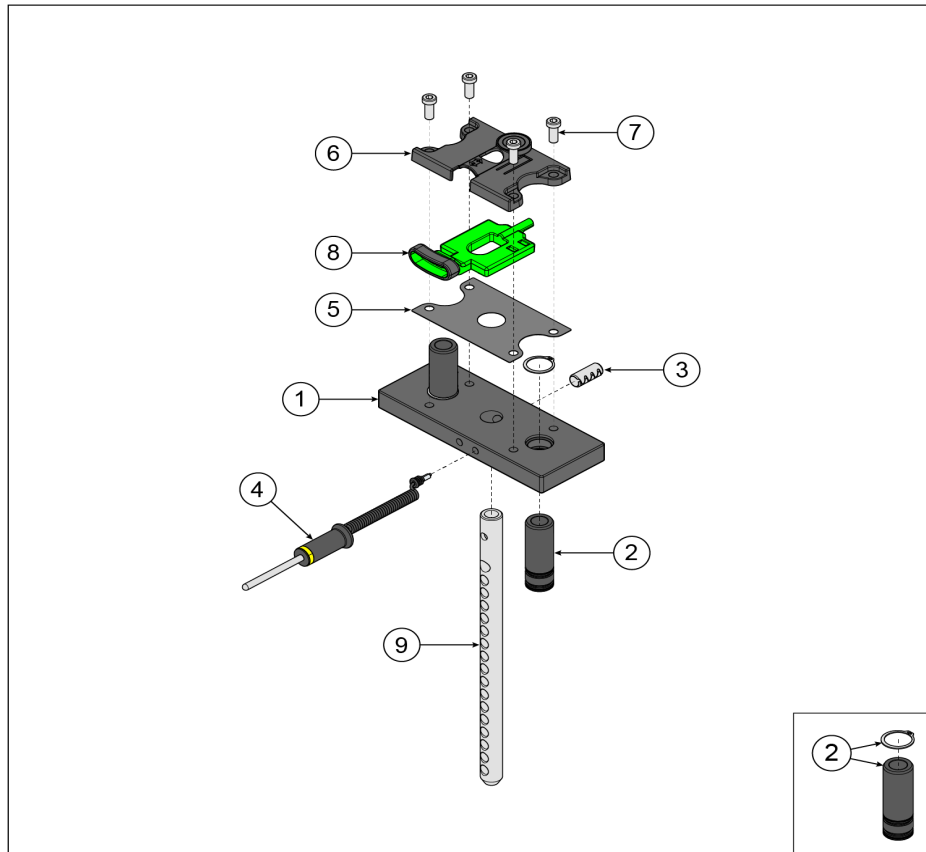
Ref #	Part Number	Qty	Description
1	3236601	5	WASHER,3/8 SAE STAINLESS STEEL
2	3236801	5	NUT, NYLOCK M10 X 1.5 SS
3	3236202	5	M10 X 1.5 X 25 SHCS, LOW HEAD
4	3236220	6	M10 X 1.5 X 130 SHCS, LOW HEAD
5	3250002	4	M5 X 0.8 X 8 HXS SOC CS ST BZ
6	3102806	4	NUT, NYLOCK 1/4-20
7	3102506	4	WASHER, FLAT 1/4 ID ZN
8	1025467-0001	1	KIT: HARDWARE, LPP-DP

**Hardware Kit 2**



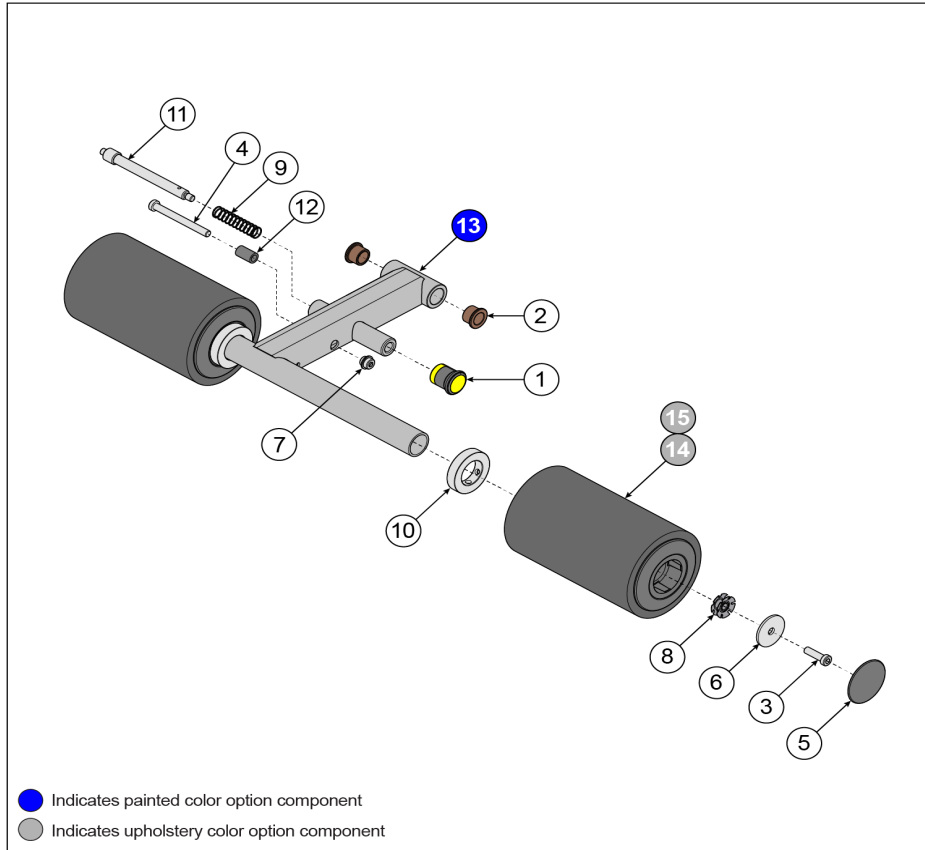
Ref #	Part Number	Qty	Description
1	7630101	6	RETAINER, CM/MJ, PULLEY
2	7634701	6	SPACER, CM/MJ, .565 X .815
3	7335401	6	NUT, M10 X 1.5 SOCKET HEAD
4	7642302	1	PLUG, CM/MJ, PLUG -CHR
5	3237407	2	PLUG, 1 IN HOLE
6	7352101	2	CUSHION, WEIGHT STACK
7	8943601	2	LINK, CM/MJ, CABLE END
8	8943702	2	HSNG, CABLE END -CHR
9	8943802	2	INSERT, CABLE END -CHR
10	1011495-0001	2	HOUSING: GUIDE ROD, OP
11	1011496-0001	2	SPRING: 0.72IN OD, 0.596IN ID, 1.50IN LG
12	1024754-0001	1	BUMPER: INCR. SYSTEM, 0.5"
13	1025468-0001	1	KIT: HARDWARE, BLISTER PACK, LPP-DP

# Headplate Assembly



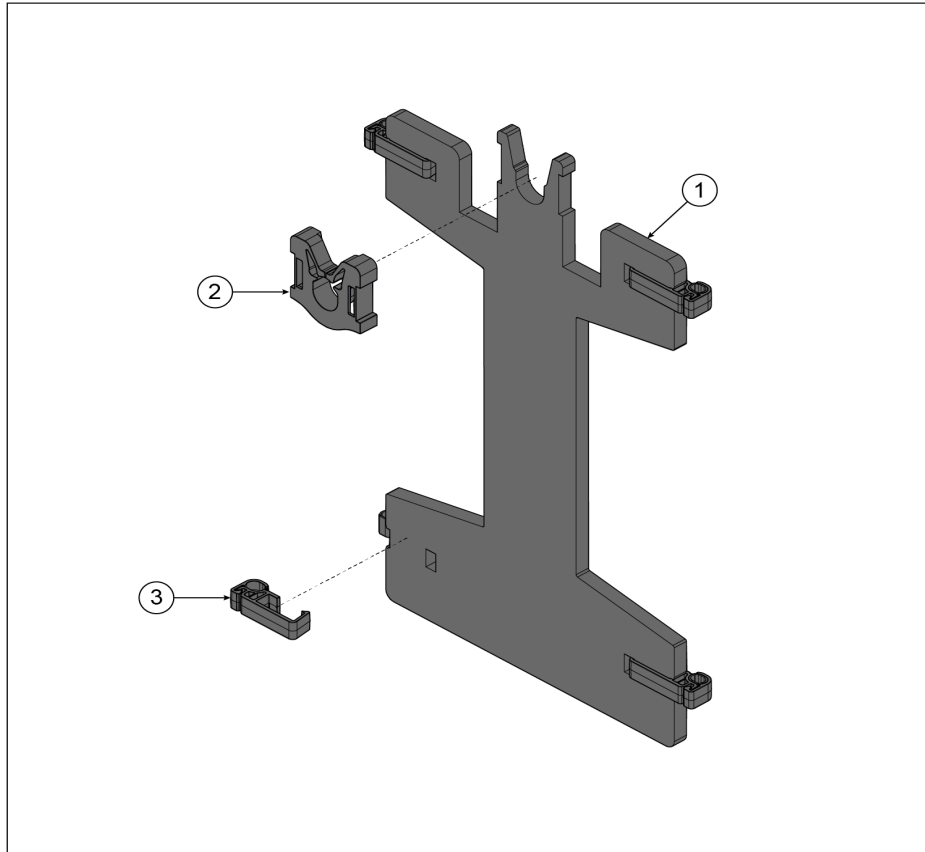
Ref #	Part Number	Qty	Description
1	9427401	1	HEADPLATE, WT. STACK, 10LB
2	9296001	2	BUSHING, HEADPLATE, LONG
3	3236001	1	BUSHING, SPRING PIN
4	1003679-0003	1	ASSY, WGT STK SEL PIN -YEL
5	1006707-0001	1	DIE CUT: 7.5LB INC WEIGHT, NYLON SHEET, 0.020"
6	1017210-0001	1	HOUSHING: 7.5LB INC WEIGHT
7	3236202	4	M10 X 1.5 X 25 SHCS, LOW HEAD
8	1008675-0001	1	HANDLE: 7.5LB INC WT, PLASTIC
9	1011243-0004	1	SHAFT: SELECTOR, 16 PLATE

# Hold Down Assembly



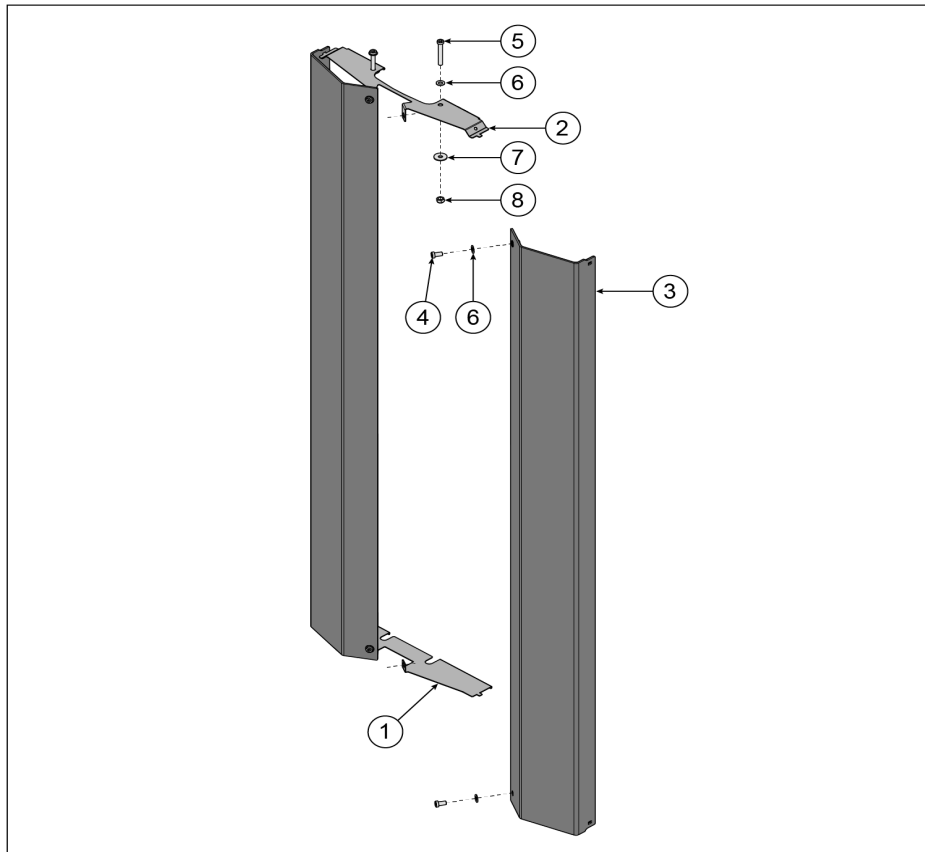
Ref #	Part Number	Qty	Description
1	9454703	1	KNOB, ADJ
2	3104901	2	BEARING, FLG .75 ID X 1.00 OD
3	3236204	2	M10 X 1.5 X 35 SHCS, LOW HEAD
4	3236217	1	M10 X 1.5 X 100 SHCS, LOW HEAD
5	7308702	2	CAP, BEARING HOUSING
6	7322301	2	PLATE, 1.97 OD X .447 ID 10GA
7	7335401	1	NUT, M10 X 1.5 SOCKET HEAD
8	7347301	2	NUT, SPIDER M10 X 1.5
9	7351501	1	SPRING; PULL PIN LARGE
10	7357901	2	COLLAR, SHAFT 1.53 ID ALUM
11	7425102	1	PIN, PULL X 6.750
12	7634501	1	SPACER, CM/MJ, .406 X .630 X 1.06 SS
13	7632601	1	WLDMT, MJLP/LPD HOLD DOWN
14b	1000005-0099	2	ASSY, ROLLER PAD SHORT CUS, SNGL STITCH- Custom
14a	1000005-0001	2	ASSY, ROLLER PAD - SHORT BLACK
15a	1000005-0101	2	ASSY, ROLLER PAD SHORT, DBL STITCH- BLACK
15b	1000005-0199	2	ASSY, ROLLER PAD SHORT, DBL STITCH- Custom

## Increment Weight Assembly



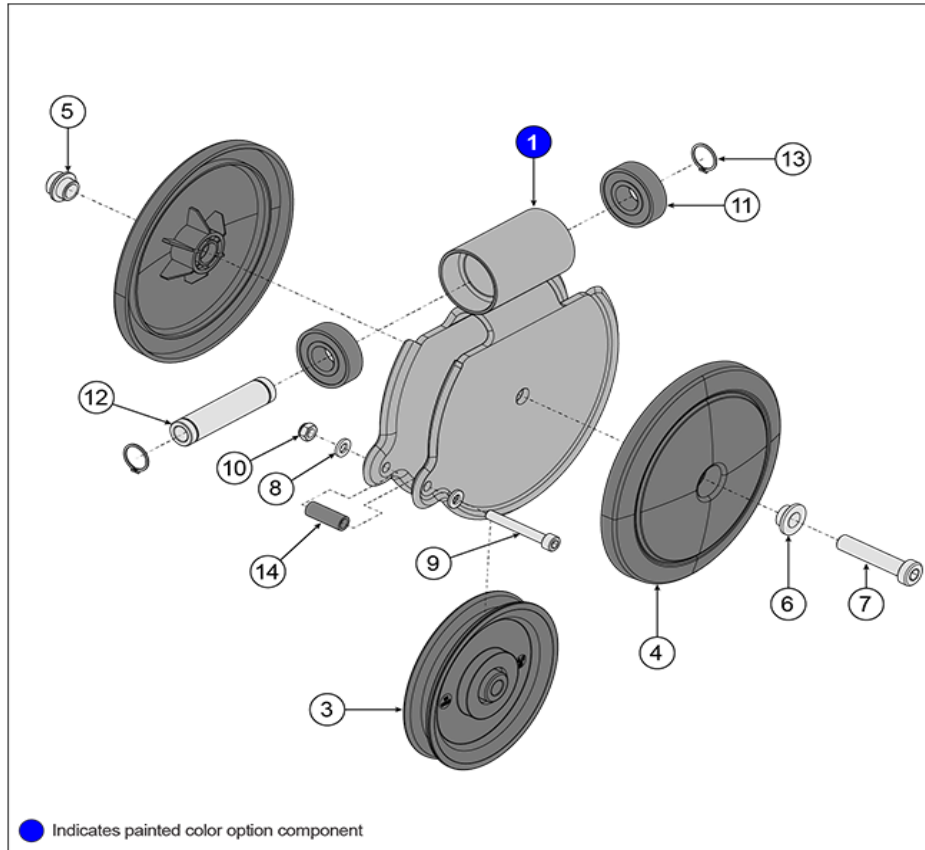
Ref #	Part Number	Qty	Description
1	1024751-2802	1	PLATE: 0.375 IN, 7.5 LB, 16 PLATE - CHR
2	1008566-0001	1	GUARD: INCREMENT WEIGHT, 0.375
3	1010805-0001	4	GUIDE ROD ASSY: INCR WT, 3/8", CHARCOAL GRAY

## Optional Front Shrouds



Ref #	Part Number	Qty	Description
1	1025267-0001	1	ASSEMBLY: BRACKET FRONT SHROUD, BOTTOM
2	1025266-0001	1	ASSEMBLY: BRACKET FRONT SHROUD, TOP
3	1025234-0001	2	SHROUD: FRONT
4	3236201	4	M10 X 1.5 X 20 SHCS, LOW HEAD
5	3236211	2	M10 X 1.5 X 70 SHCS, LOW HEAD
6	3236601	6	WASHER, 3/8 SAE STAINLESS STEEL
7	3236602	2	WASHER, 3/8 ID X 1.25 OD SS
8	3236801	2	NUT, NYLOCK M10 X 1.5 SS

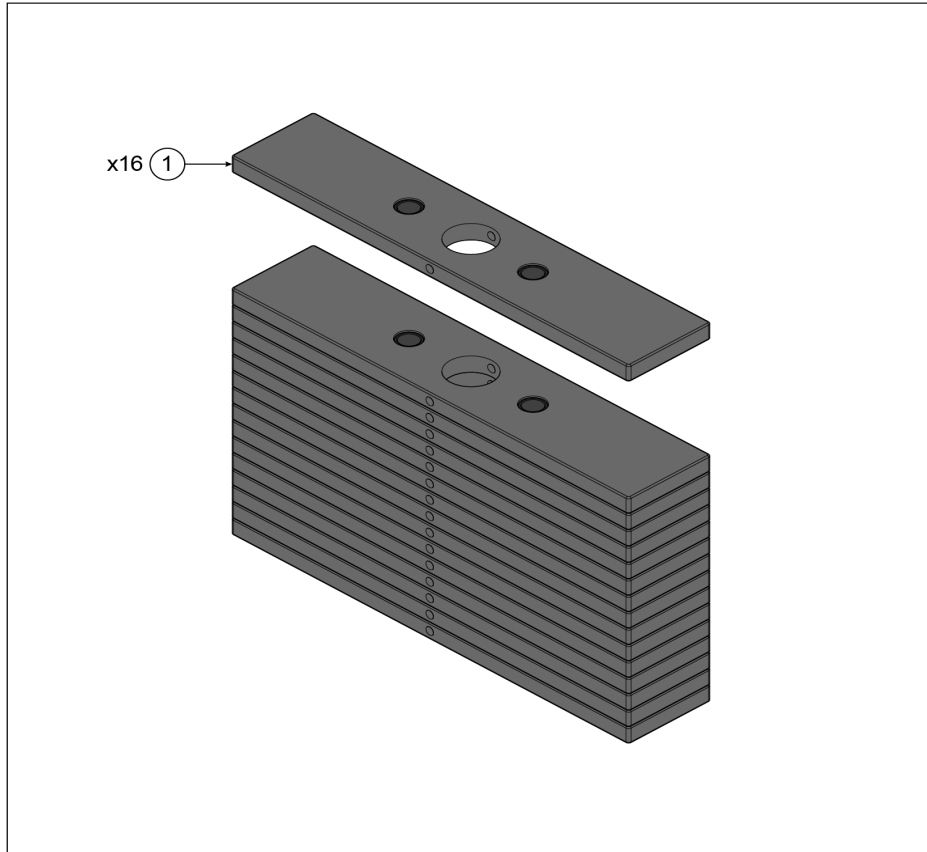
## Swivel Pulley Assembly



Ref #	Part Number	Qty	Description
1	8974801	1	WLDMT, MJRWD/LPD, SWIVEL PULLEY
3	3237802	1	PULLEY, 1/4 IN CABLE (T3), 4.5 IN OD
4	7629902	2	COVER, PULLEY-BOLTED FULL
5	7335401	1	NUT, M10 X 1.5 SOCKET HEAD
6	7630101	1	RETAINER, CM/MJ, PULLEY
7	3236207	1	M10 X 1.5 X 50 SHCS, LOW HEAD
8	3241801	2	WASHER, FLAT 6MM SS
9	3241706	1	M6 X 1 X 45MM SHCS, STD HEAD
10	3236802	1	NUT, M6 X 1 HEX NYLOCK SS
11	3245901	2	BEARING, 6203
12	7645401	1	SHAFT, CM/MJ, 6203 BRNG
13	3232413	2	RNG, BRE .631,5100-66,ST,PP,B
14	8002401	1	SPACER, CM/MJ PULLEY

## Weight Stack

---



Ref #	Part Number	Qty	Description
1	9407601	16	WGT PL, 3/4IN X 4IN, 15LB

