

LF PWR PLAY ASSIST DIP CHIN

LPP-DC

Parts Manual

2/27/2025 19:52:19 PM

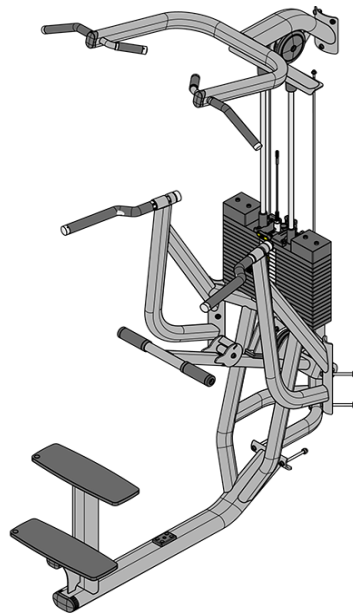
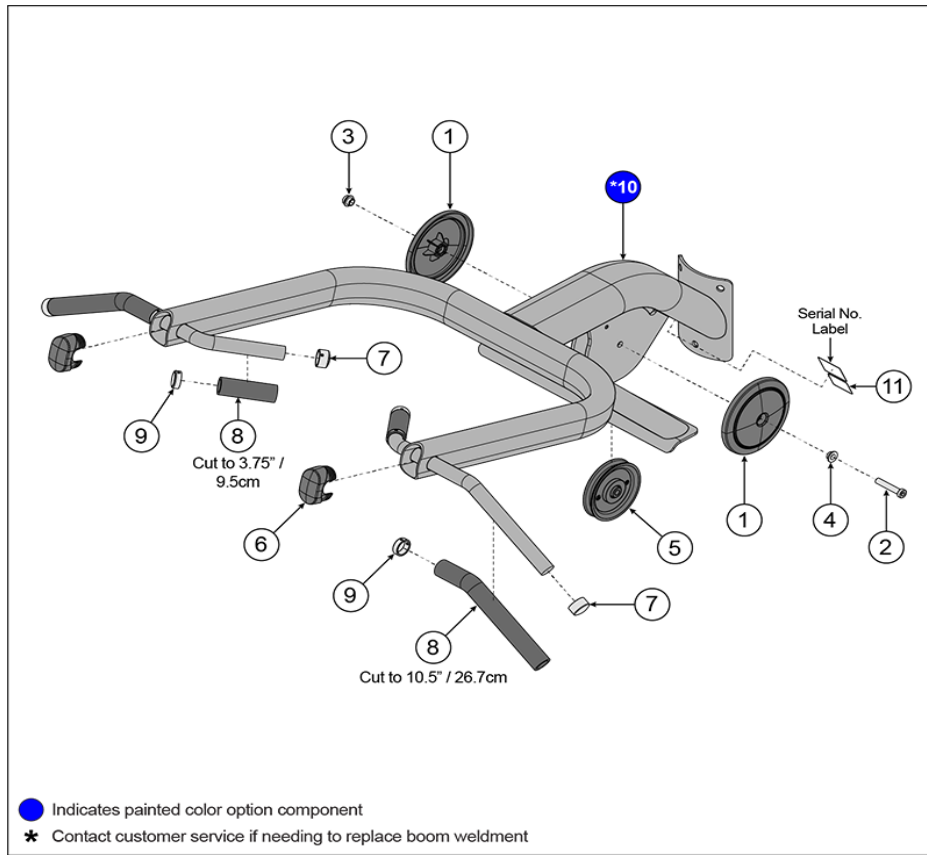


Table of Contents

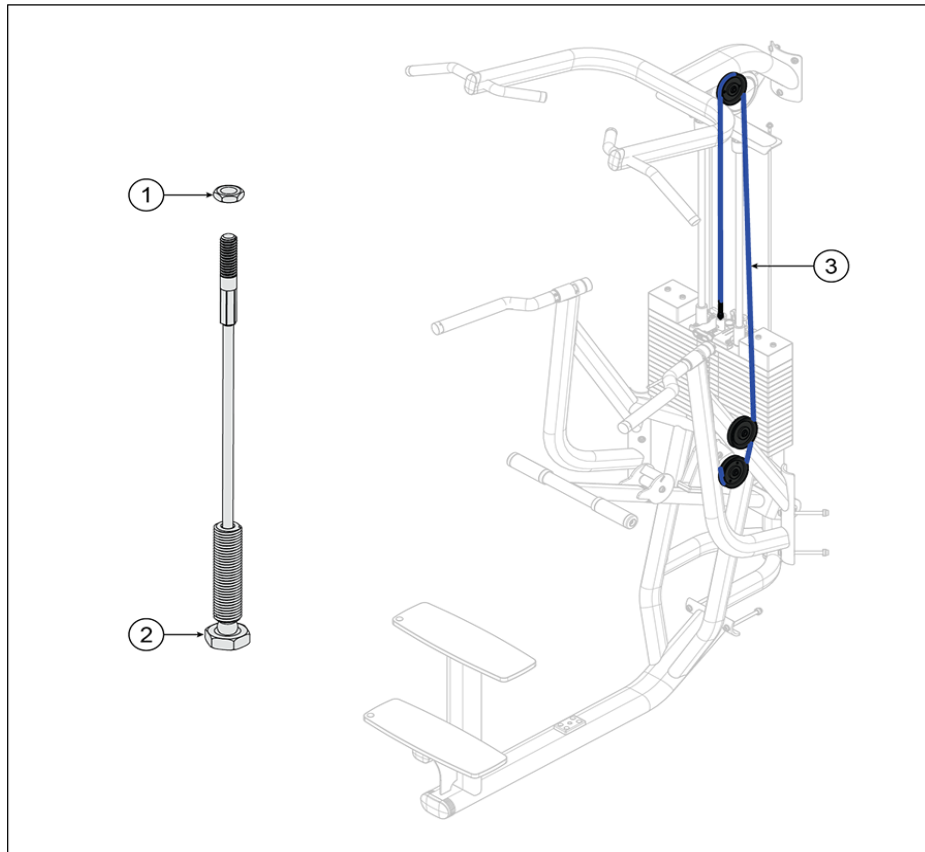
Boom Assembly	3
Cable Routing	4
Components	5
Core Assembly	7
Hardware Kit 1	9
Hardware Kit 2	10
Headplate Assembly	11
Increment Weight Assembly	12
Main Frame Assembly	13
Weight Stack	15
Workam Assembly	16

Boom Assembly



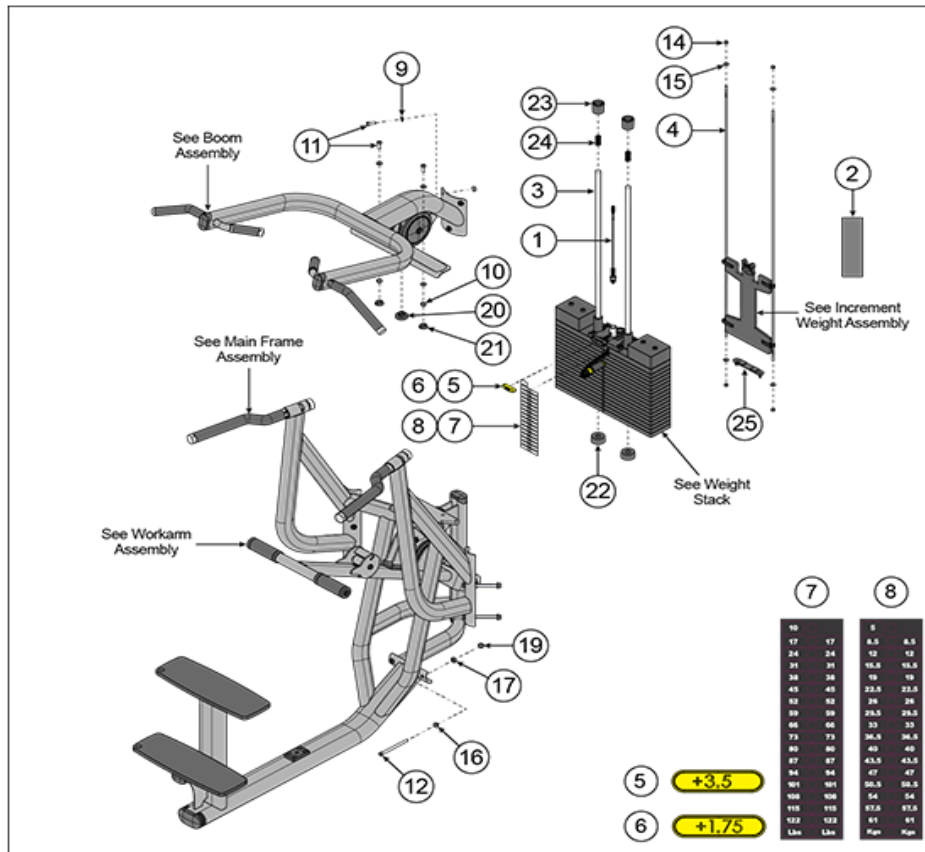
Ref #	Part Number	Qty	Description
1	7629902	2	COVER, PULLEY-BOLTED FULL
2	3236208	1	M10 X 1.5 X 55 SHCS, LOW HEAD
3	7335401	1	NUT, M10 X 1.5 SOCKET HEAD
4	7630101	1	RETAINER, CM/MJ, PULLEY
5	3237802	1	PULLEY, 1/4 IN CABLE (T3), 4.5 IN OD
6	7333802	2	CAP, SMALL FLOV-END
7	7662901	4	CAP; GRIP 1.25 OD
8	3235806	4	GRIP, 1.25 OD X .125 WALL OPEN END
9	7662801	4	RING, GRIP 1.25 OD
10	1025156-0000	1	WLDMT: LPP-DC, CHIN UP
11	1026164-0001	1	DECAL: FCC/PATENT

Cable Routing



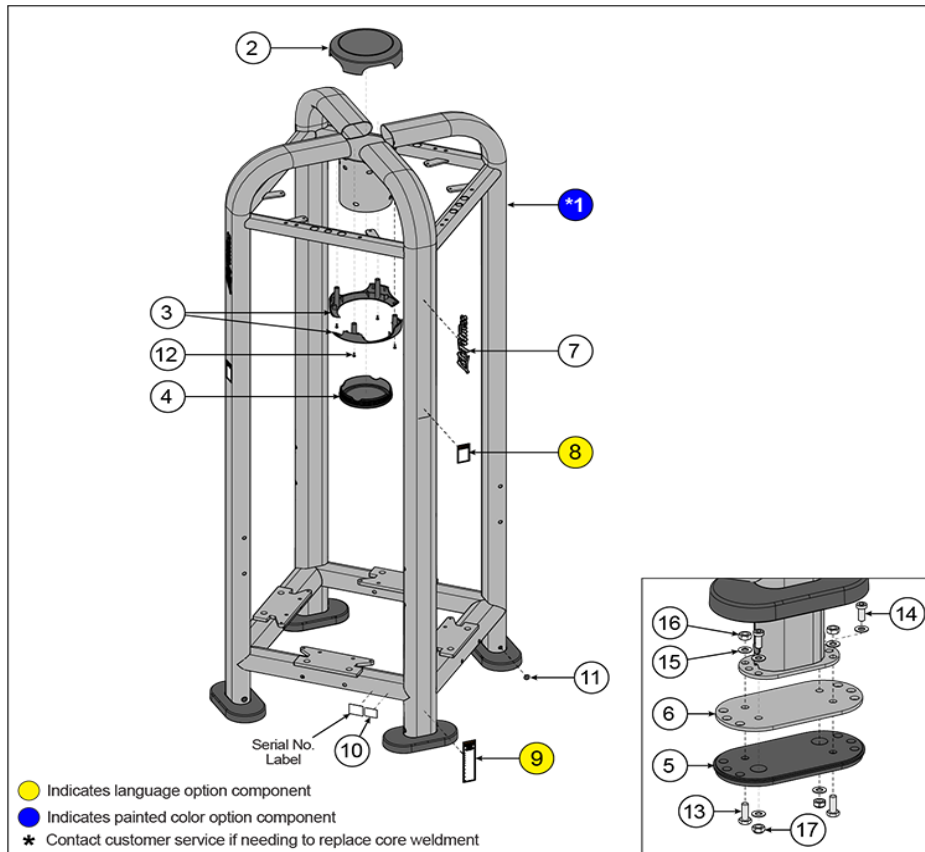
Ref #	Part Number	Qty	Description
1	3236901	1	NUT, HEX JAM M10 X 1.5 SS
2	3236902	1	NUT, HEX JAM M16 X 2 SS
3	9423520	1	CABLE: LPP-DC

Components



Ref #	Part Number	Qty	Description
23	1011495-0001	2	HOUSING: GUIDE ROD, OP
24	1011496-0001	2	SPRING: 0.72IN OD, 0.596IN ID, 1.50IN LG
25	1024754-0001	1	BUMPER: INCR. SYSTEM, 0.5"

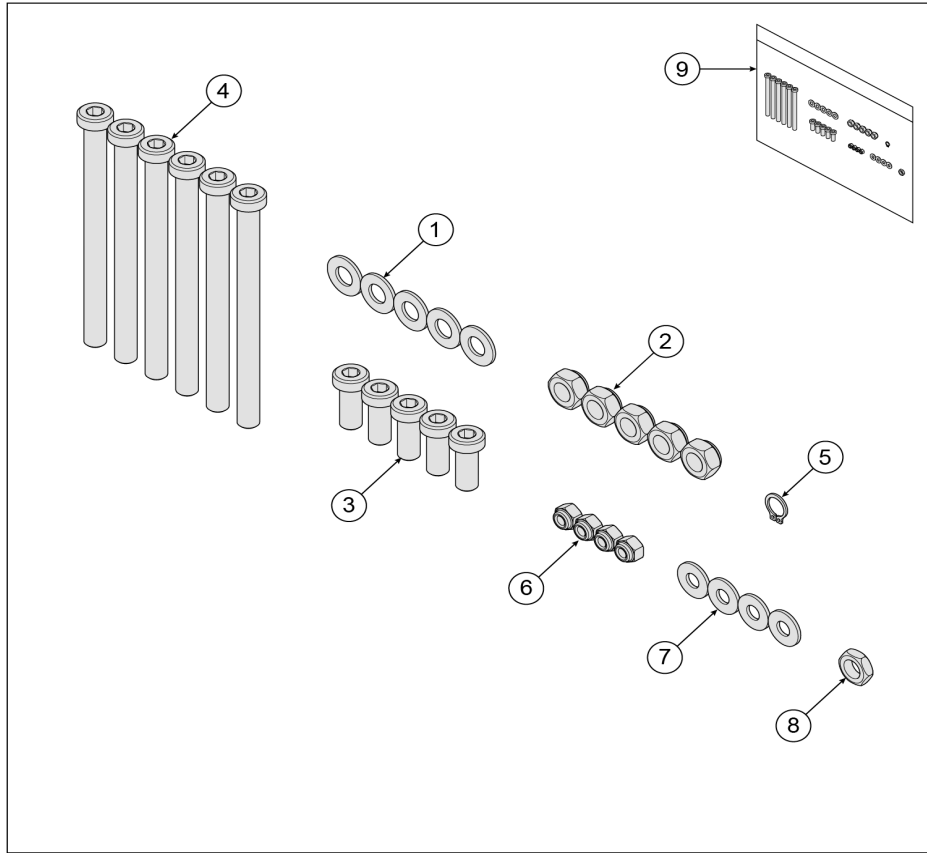
Core Assembly



Ref #	Part Number	Qty	Description
1	1024991-0000	1	WLDMT: LPP-CORE Custom
2	7629202	1	COVER, CENTER TOP -CHR
3	7629802	2	COVER, CENTER BOTTOM -CHR
4	7640402	1	COVER, BOTTOM CAP -CHR
5	9199101	4	FOOT, FXT FLOV - LARGE
6	9173101	4	PLATE, FOOT, 9.5 X 4.75
7	8866901	4	LABEL, LF LOGO 10 IN. - FLAT
8d	9141104	4	LABEL, WARNING, STRAP TRAINING -SPN
8e	9141105	4	LABEL, WARNING, STRAP TRAINING -ITA
8n	9141115	4	LABEL, WARNING, STRAP TRAIN -DAN
8k	9141112	4	LABEL, WARNING, STRAP TRAIN -CHI
8j	9141111	4	LABEL, WARNING, STRAP TRAIN -TUR
8m	9141114	4	LABEL, WARNING, STRAP TRAIN -SWD
8f	9141106	4	LABEL, WARNING, STRAP TRAINING -DUT
8c	9141103	4	LABEL, WARNING, STRAP TRAINING -FRN
8l	9141113	4	LABEL, WARNING, STRAP TRAIN -ARA
8h	9141108	4	LABEL, WARNING, STRAP TRAINING -POR
8a	9141101	4	LABEL, WARNING, STRAP TRAINING -ENG
8g	9141107	4	LABEL, WARNING, STRAP TRAINING -JAP
8i	9141110	4	LABEL, WARNING, STRAP TRAINING -RUS
8b	9141102	4	LABEL, WARNING, STRAP TRAINING -GER
9b	8220002	1	Label, ASTM, Select Vertical - German

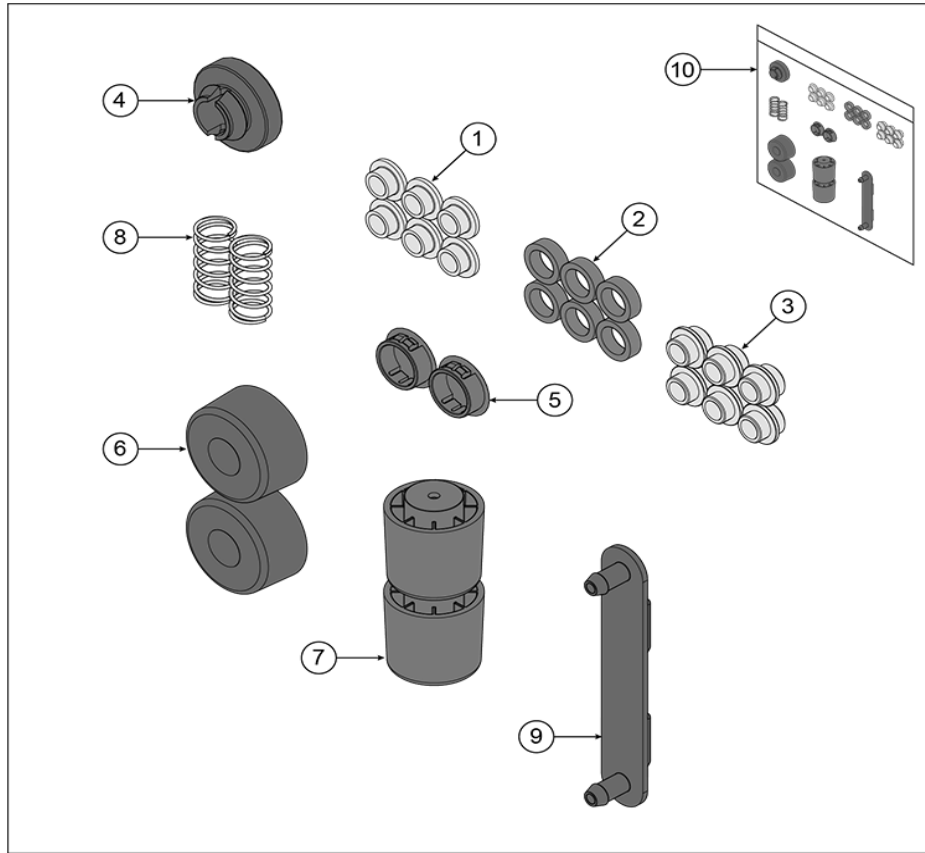
Ref #	Part Number	Qty	Description
9e	8220005	1	Label, ASTM, Select Vertical - Italian
9j	8220011	1	Label, ASTM, Select Vertical - Turkish
9g	8220007	1	Label, ASTM, Select Vertical - Japanese
9d	8220004	1	Label, ASTM, Select Vertical - Spanish
9f	8220006	1	Label, ASTM, Select Vertical - Dutch
9h	8220008	1	Label, ASTM, Select Vertical - Portugese
9l	8220013	1	Label, ASTM, Select Vertical - English Red
9n	8220015	1	Label, ASTM, Select Vertical - English Yellow
9m	8220014	1	Label, ASTM, Select Vertical - English Blue
9k	8220012	1	Label, ASTM, Select Vertical - English Ice Blue Metallic
9c	8220003	1	Label, ASTM, Select Vertical - French
9a	8220001	1	Label, ASTM, Select Vertical - English
9i	8220010	1	Label, ASTM, Select Vertical - Russian
10	9488901	1	LABEL, INSIGNIA, FCC
11	7646802	8	PLUG, CURVED HOLE -CHR
12	3236501	4	M4 X 0.7 PHIL PAN MS ST ZN
13	3251203	8	M10 X 1.5 X 30MM UNS HEX CS ST ZN
14	3236202	8	M10 X 1.5 X 25 SHCS, LOW HEAD
15	3236601	24	WASHER,3/8 SAE STAINLESS STEEL
16	3254703	8	NUT, M10 X 1.5 HEX ZINC
17	3236801	8	NUT, NYLOCK M10 X 1.5 SS

Hardware Kit 1



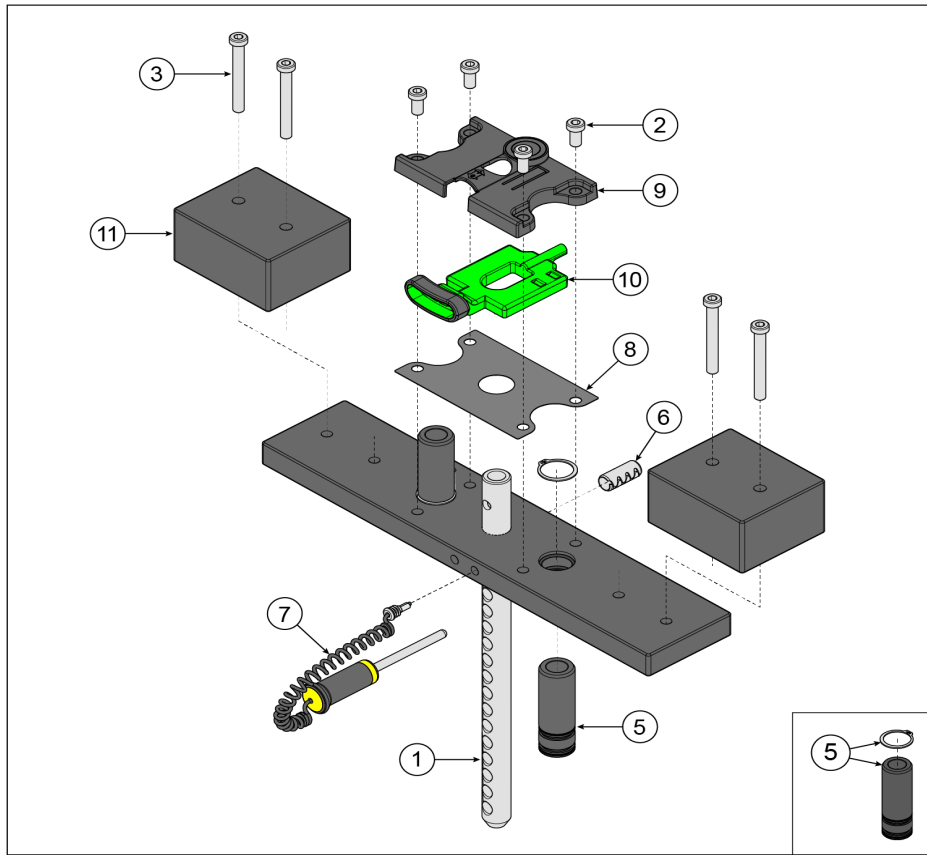
Ref #	Part Number	Qty	Description
1	3236601	5	WASHER, 3/8 SAE STAINLESS STEEL
2	3236801	5	NUT, NYLOCK M10 X 1.5 SS
3	3236202	5	M10 X 1.5 X 25 SHCS, LOW HEAD
4	3236220	6	M10 X 1.5 X 130 SHCS, LOW HEAD
5	3243901	1	RING, BRE M11, ST, PP
6	3102806	4	NUT, NYLOCK 1/4-20
7	3102506	4	WASHER, FLAT 1/4 ID ZN
8	3236901	1	NUT, HEX JAM M10 X 1.5 SS
9	1025459-0001	1	KIT: HARDWARE, LPP-DC

Hardware Kit 2



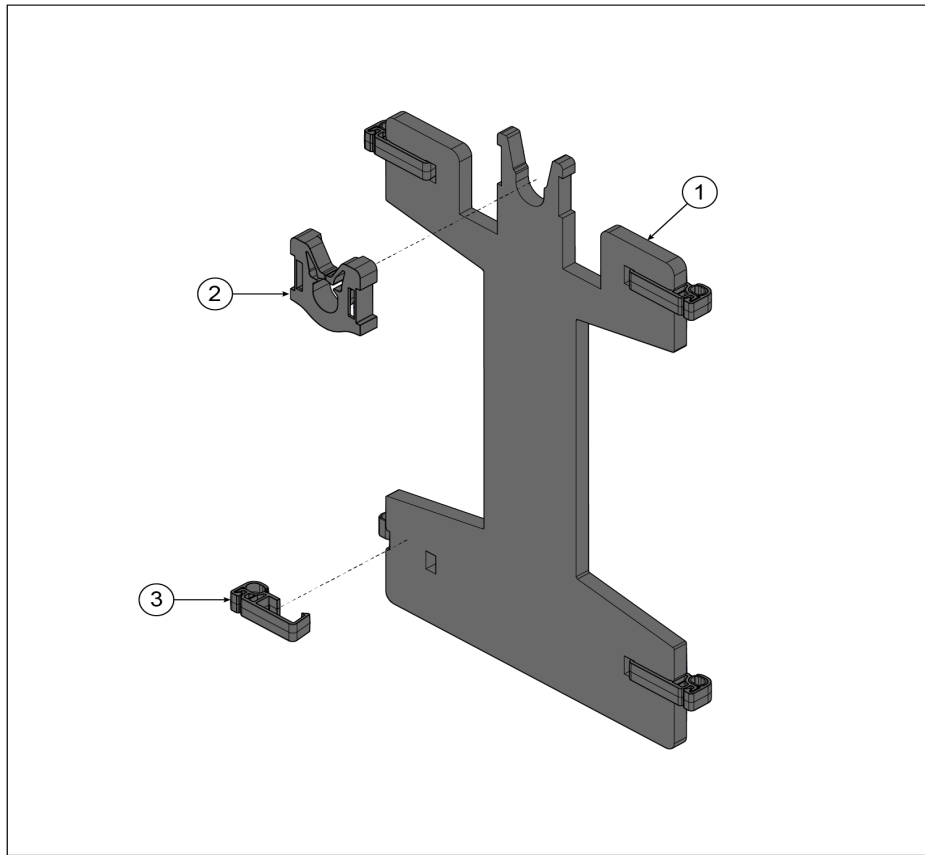
Ref #	Part Number	Qty	Description
1	7630101	6	RETAINER, CM/MJ, PULLEY
2	7634701	6	SPACER, CM/MJ, .565 X .815
3	7335401	6	NUT, M10 X 1.5 SOCKET HEAD
4	7642302	1	PLUG, CM/MJ, PLUG -CHR
5	3237407	2	PLUG, 1 IN HOLE
6	7352101	2	CUSHION, WEIGHT STACK
7	1011495-0001	2	HOUSING: GUIDE ROD, OP
8	1011496-0001	2	SPRING: 0.72IN OD, 0.596IN ID, 1.50IN LG
9	1024754-0001	1	BUMPER: INCR. SYSTEM, 0.5"
10	1025460-0001	1	KIT: HARDWARE, BLISTER PACK, LPP-DC

Headplate Assembly



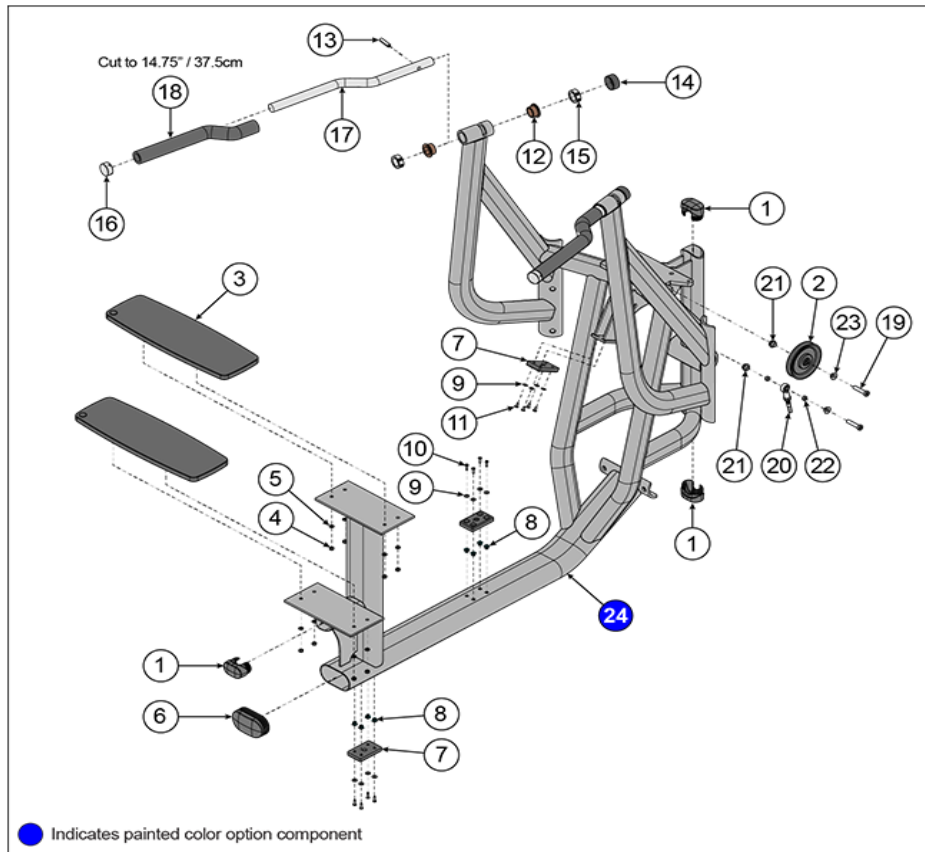
Ref #	Part Number	Qty	Description
1	1011243-0004	1	SHAFT: SELECTOR, 16 PLATE
2	3236201	4	M10 X 1.5 X 20 SHCS, LOW HEAD
3	3236213	4	M10 X 1.5 X 80 SHCS, LOW HEAD
4	9431101	1	HEADPLATE, WT. STACK, 20LB
5	9296001	2	BUSHING, HEADPLATE, LONG
6	3236001	1	BUSHING, SPRING PIN
7	1003679-0003	1	ASSY, WGT STK SEL PIN -YEL
8	1006707-0001	1	DIE CUT: 7.5LB INC WEIGHT, NYLON SHEET, 0.020"
9	1017210-0001	1	HOUSHING: 7.5LB INC WEIGHT
10	1008675-0001	1	HANDLE: 7.5LB INC WT, PLASTIC
11	9433302	2	COUNTER WEIGHT, HEAD PLATE, 12.5LB

Increment Weight Assembly



Ref #	Part Number	Qty	Description
1	1024751-2802	1	PLATE: 0.375 IN, 7.5 LB, 16 PLATE - CHR
2	1008566-0001	1	GUARD: INCREMENT WEIGHT, 0.375
3	1010805-0001	4	GUIDE ROD ASSY: INCR WT, 3/8", CHARCOAL GRAY

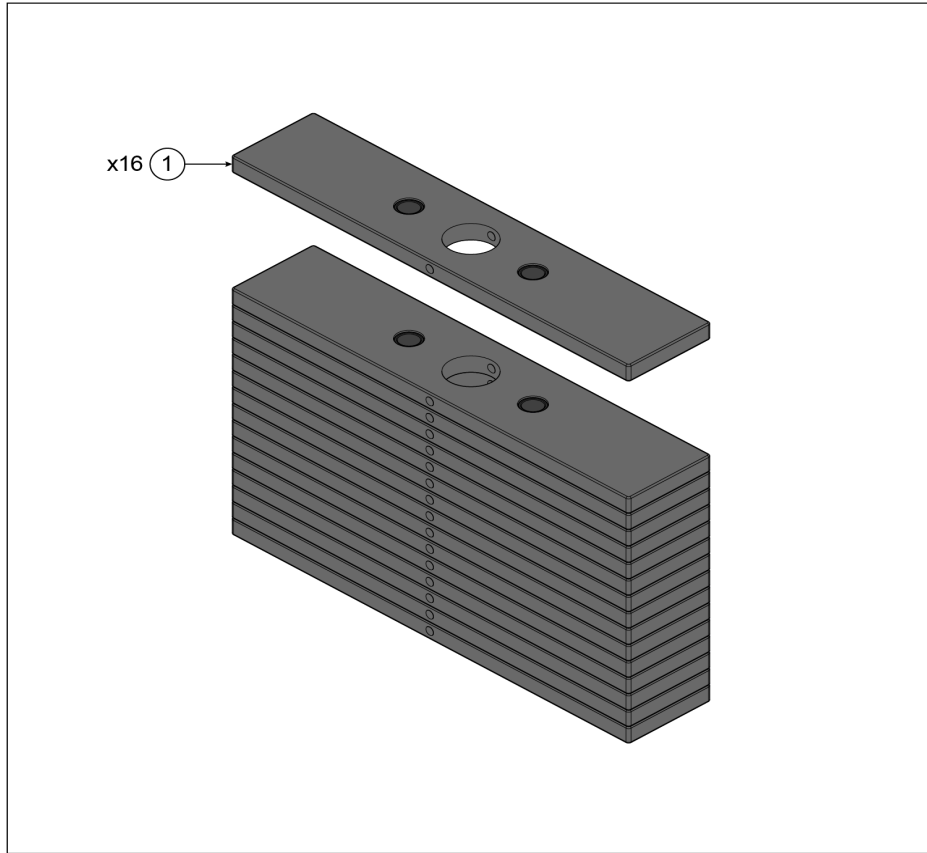
Main Frame Assembly



Ref #	Part Number	Qty	Description
1	7333802	3	CAP, SMALL FLOV-END
2	3237802	1	PULLEY, 1/4 IN CABLE (T3), 4.5 IN OD
3	1004894-0002	2	FOOT PAD, 6.31 X 18.44 , OVERMOLD -BLK
4	3236802	8	NUT, M6 X 1 HEX NYLOCK SS
5	3241801	8	WASHER, FLAT 6MM SS
6	1022454-0001	1	ENDCAP: FLOV : INJ MOLDED
7	7810811	3	PAD, RUBBER FOOT -CHR
8	0017-00042-1147	8	GROMMET: SCREW, 8 OR 10
9	3114407	12	WASHER, FLAT #10 SAE ST BZ
10	3275801	8	SCREW, 8 X 3/4 DIN PHL PAN AB ST ZB
11	3270601	4	SCREW, #10-32 X 3/8 TRX PAN ST BZ
12	3104903	4	BRNG, FLANGE 1.00 ID X 1.25 OD
13	3110004	2	ROLL PIN, 3/8 DIA X 1-1/2
14	3242601	2	CAP END, 1.375 X .75 RD, BLACK
15	7435301	4	COLLAR, SHAFT 1.020 ID
16	7662902	2	CAP, GRIP 1.50 OD, 10-0133-026, BNR
17	8941928	2	BROUND, FZADC DIP HANDLE, CHGR
18	3235807	2	GRIP, 1.50 OD X .25 WALL OPEN END
19	3236206	2	M10 X 1.5 X 45 SHCS, LOW HEAD
20	3237901	1	ROD END, METRIC FEMALE
21	7335401	2	NUT, M10 X 1.5 SOCKET HEAD
22	7489402	2	BSHNG,.500 OD X .402 ID X .235

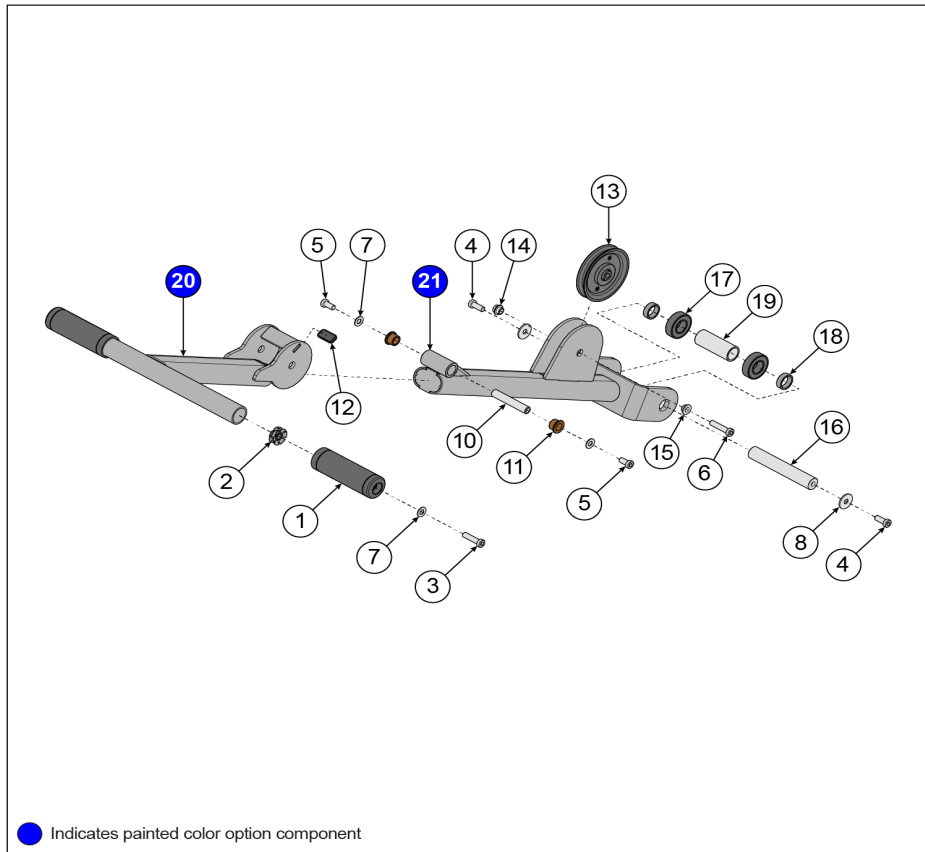
Ref #	Part Number	Qty	Description
23	7630101	2	RETAINER, CM/MJ, PULLEY
24	1025092-0000	1	WELDMENT: FRAME

Weight Stack



Ref #	Part Number	Qty	Description
1	9407601	16	WGT PL, 3/4IN X 4IN, 15LB

Workam Assembly



Ref #	Part Number	Qty	Description
1	7800102	2	GRIP, 1.50 ID FOOT
2	7347301	2	NUT, SPIDER M10 X 1.5
3	3236205	2	M10 X 1.5 X 40 SHCS, LOW HEAD
4	3236202	3	M10 X 1.5 X 25 SHCS, LOW HEAD
5	3236201	2	M10 X 1.5 X 20 SHCS, LOW HEAD
6	3236206	1	M10 X 1.5 X 45 SHCS, LOW HEAD
7	3236601	4	WASHER, 3/8 SAE STAINLESS STEEL
8	3236602	2	WASHER, 3/8 ID X 1.25 OD SS
9	PR060003	1	BUMPER RECESS
10	1004979-0001	1	ROUND, PIN, 15mm DIA.
11	3275004	2	BEARING, FLANGE, METRIC 15MM
12	7570802	1	GUARD, PAINT, 1.25 x .75 x .25, BLK
13	3237802	1	PULLEY, 1/4 IN CABLE (T3), 4.5 IN OD
14	7335401	1	NUT, M10 X 1.5 SOCKET HEAD
15	7630101	1	RETAINER, CM/MJ, PULLEY
16	1005253-0001	1	SHAFT, TAPPED 25MM X 6.050
17	3235601	2	BEARING, 6205 BALL
18	7330001	2	SPACER, INTERNAL X .403
19	7330003	1	SPACER, INTERNAL X 3.235
20	1004926-0000	1	WLDMT, PP-ADC, FOOT ASSIST -- Custom
21	1025089-0000	1	WLDMT: LPP-DC, PIVOT ASSIST

