

Frame Mocha Sand Built-to-Order

LBR-UB-1029-101

Parts Manual

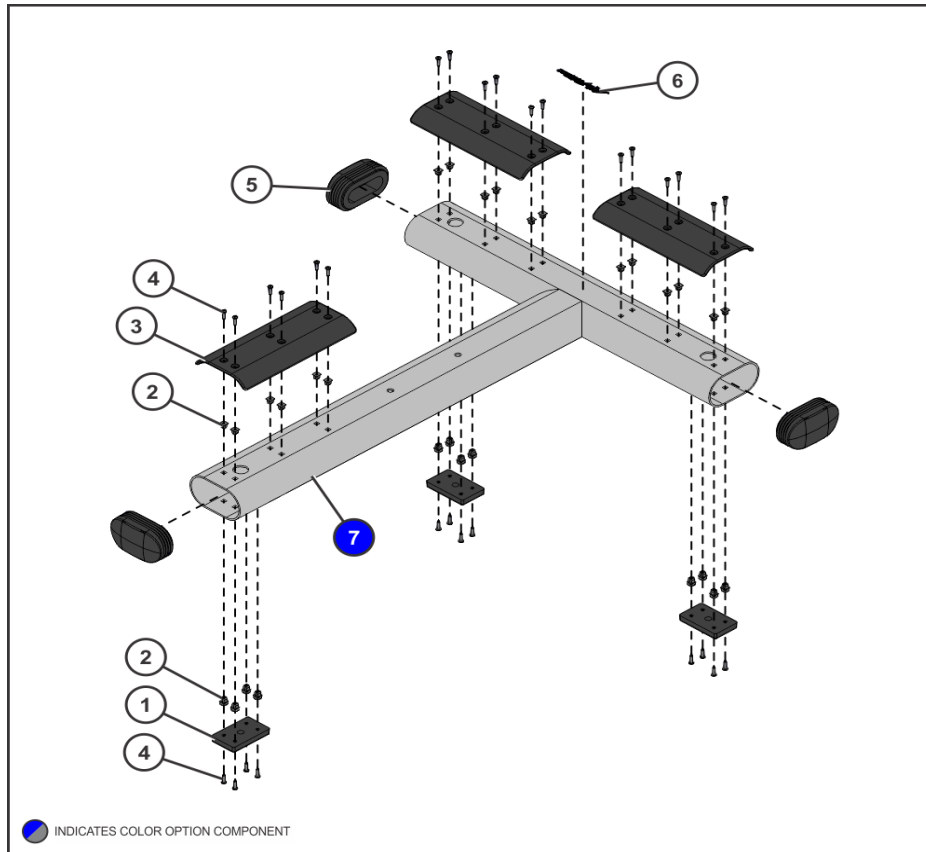
6/21/2024 13:15:59 PM



Table of Contents

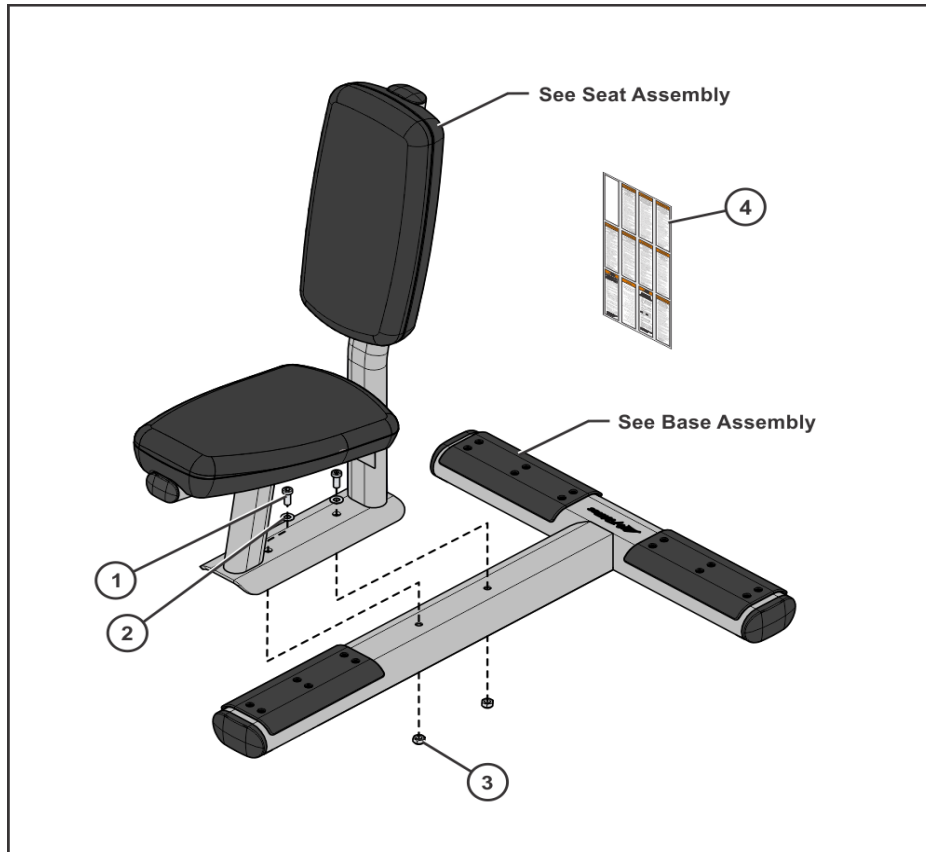
Base Assembly	3
Components	4
Hardware Bag	5
Seat Assembly	6

Base Assembly



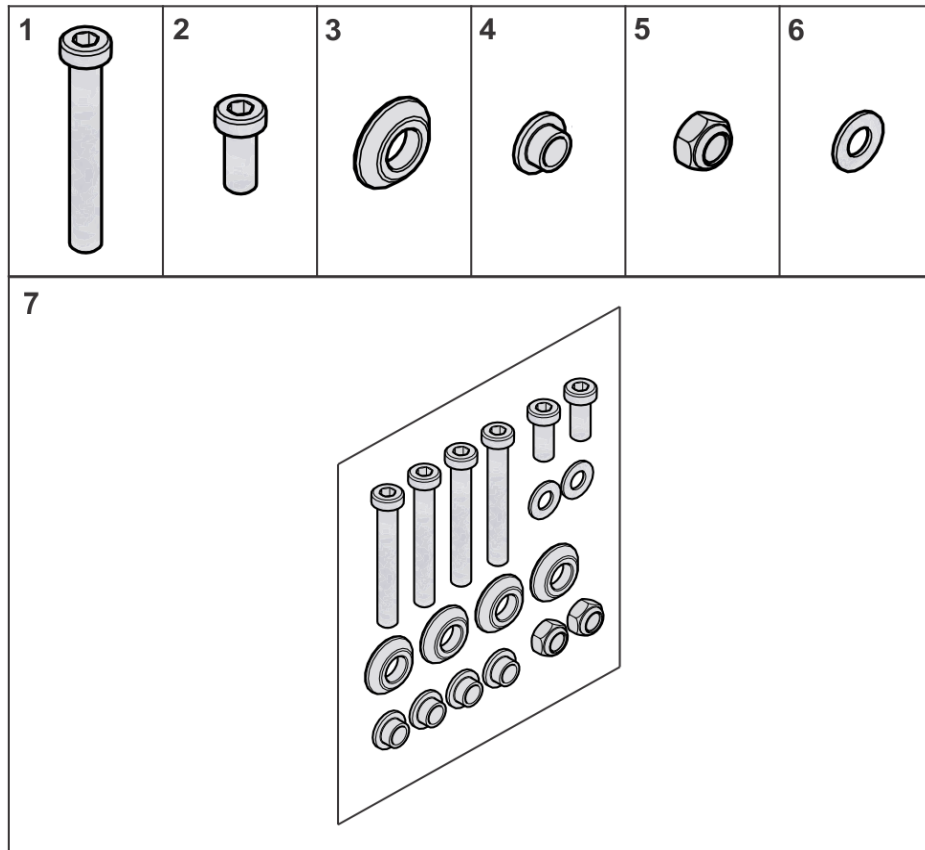
Ref #	Part Number	Qty	Description
1	7810811	3	PAD, RUBBER FOOT -CHR
2	0017-00042-1147	30	GROMMET: SCREW, 8 OR 10
3	7821704	3	GUARD, LONG PAINT – CHR
4	3275801	30	SCREW, 8 X 3/4 DIN PHL PAN AB ST ZB
5	1022454-0001	3	ENDCAP: FLOV : INJ MOLDED
6	8106101	1	LABEL LIFE FIT 13/16 X 4-3/8" SG, 10-0101-016, BNR

Components



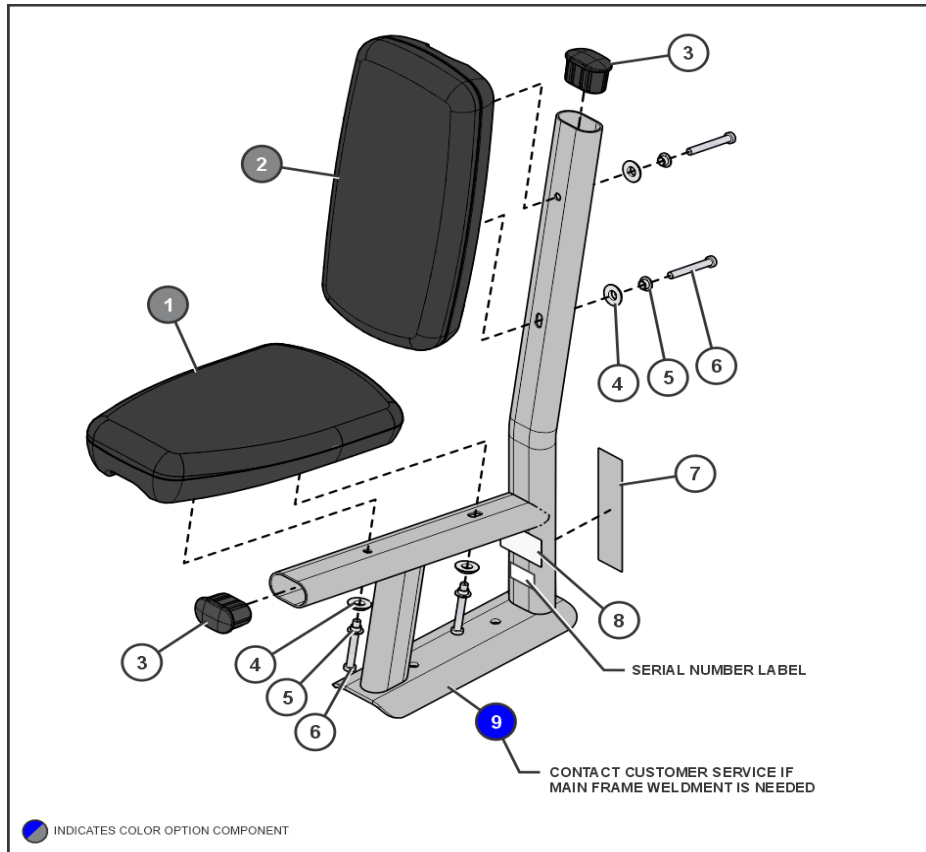
Ref #	Part Number	Qty	Description
1	3236202	2	M10 X 1.5 X 25 SHCS, LOW HEAD
2	3236601	2	WASHER, 3/8 SAE STAINLESS STEEL
3	3236801	2	NUT, NYLOCK M10 X 1.5 SS
4	8137801	1	LABEL, ASTM, OLY VERT-SHEET

Hardware Bag



Ref #	Part Number	Qty	Description
1	3236212	4	M10 X 1.5 X 75 SHCS, LOW HEAD
2	3236202	2	M10 X 1.5 X 25 SHCS, LOW HEAD
3	1012186-0001	4	SPACER: 1-1/4 OD X 1/4
4	7630101	4	RETAINER, CM/MJ, PULLEY
5	3236801	2	NUT, NYLOCK M10 X 1.5 SS
6	3236601	2	WASHER, 3/8 SAE STAINLESS STEEL
7	1023543-0001	1	ASSEMBLY: HARDWARE

Seat Assembly



Ref #	Part Number	Qty	Description
1	1023525-0099	1	PAD, 10 X 16 TAPERED CONVEX, CUS, SINGLE-STITCH
1	1023525-0101	1	PAD, 10 X 16 TAPERED CONVEX, BLACK, DOUBLE-STITCH
1	1023525-0001	1	PAD, 10 X 16 TAPERED CONVEX, BLACK, SINGLE-STITCH
1	1023525-0199	1	PAD, 10 X 16 TAPERED CONVEX, CUS, DOUBLE-STITCH
2	1000006-0199	1	PAD, 18 X 9 CONVEX CUS, DBL STITCH- Custom
2	1000006-0099	1	PAD, 18 X 9 CONVEX CUS, SNGL STITCH- Custom
2	1000006-0101	1	PAD, 18 X 9 CONVEX CUS, DBL STITCH- BLACK
2	1000006-0001	1	PAD, 18 X 9 CONVEX CUS, SNGL STITCH- BLACK
3	7800502	2	CAP, SML FLOV END -CHR
4	1012186-0001	6	SPACER: 1-1/4 OD X 1/4
5	7630101	6	RETAINER, CM/MJ, PULLEY
6	3236212	6	M10 X 1.5 X 75 SHCS, LOW HEAD
7	8137801	1	LABEL, ASTM, OLY VERT-SHEET
8	9488901	1	LABEL, INSIGNIA, FCC
9	1023541-0000	1	WELDMENT: SEAT FRAME Custom

