

# Life Fitness Olympic Bench Weight Storage

LBR-OW

## Parts Manual

6/18/2024 22:10:48 PM



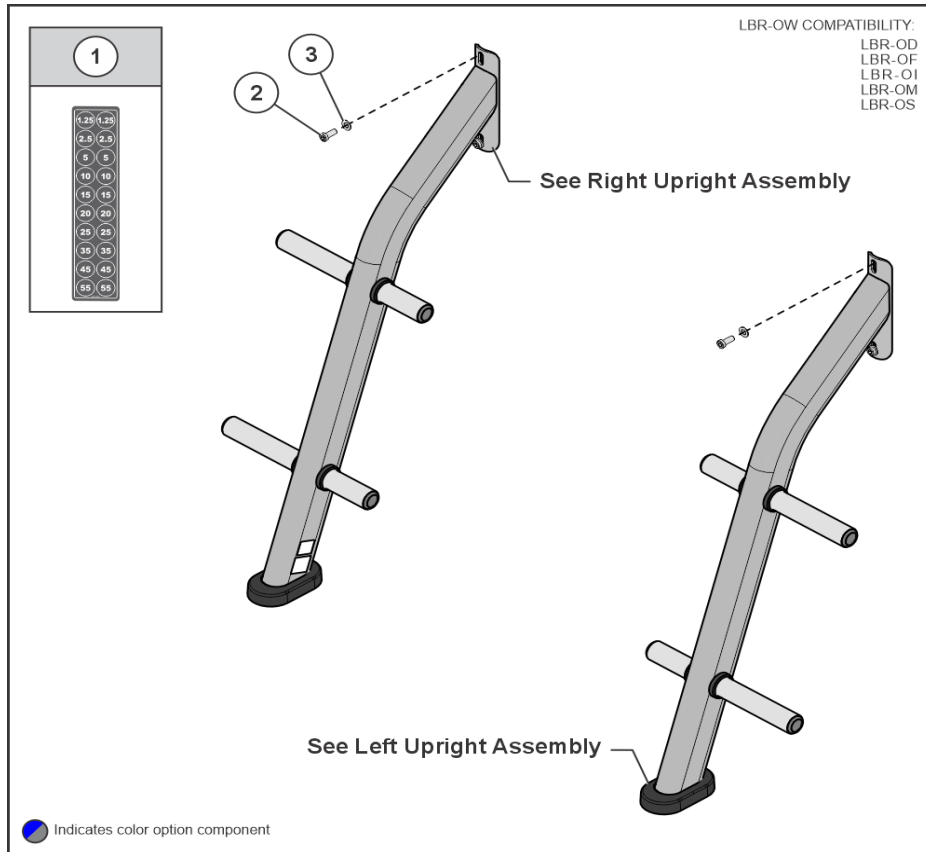


**Table of Contents**

---

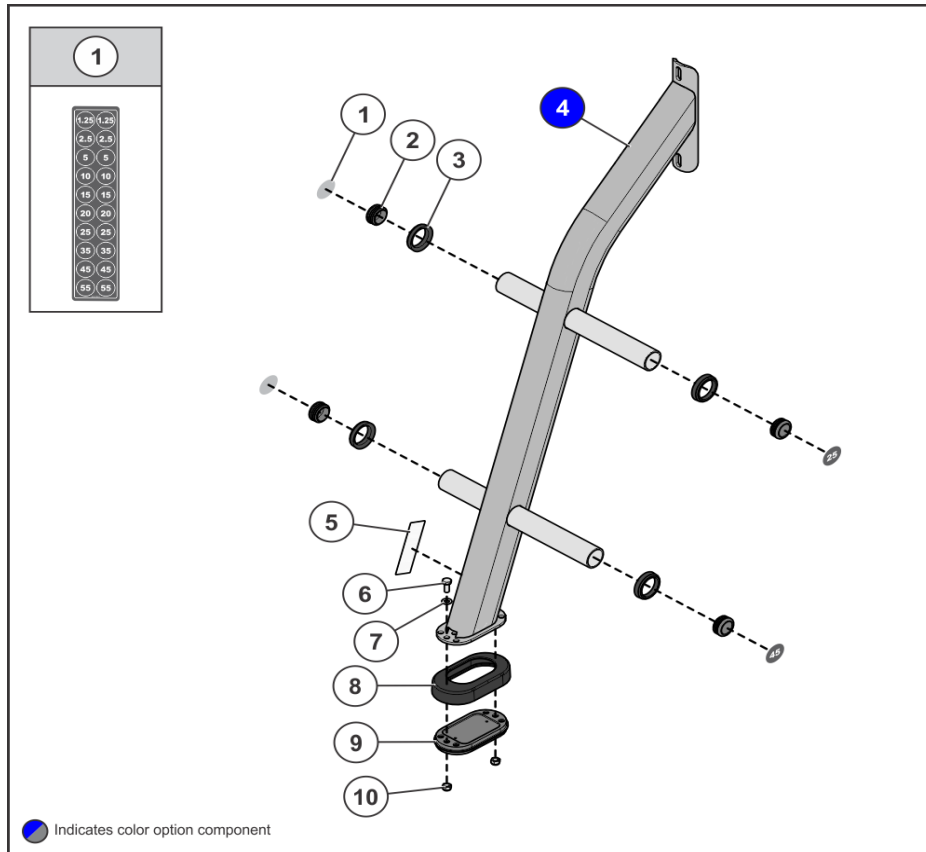
<a href="#">Components.....</a>	<a href="#">3</a>
<a href="#">Left Upright Assembly.....</a>	<a href="#">4</a>
<a href="#">Right Upright Assembly.....</a>	<a href="#">5</a>

### Components



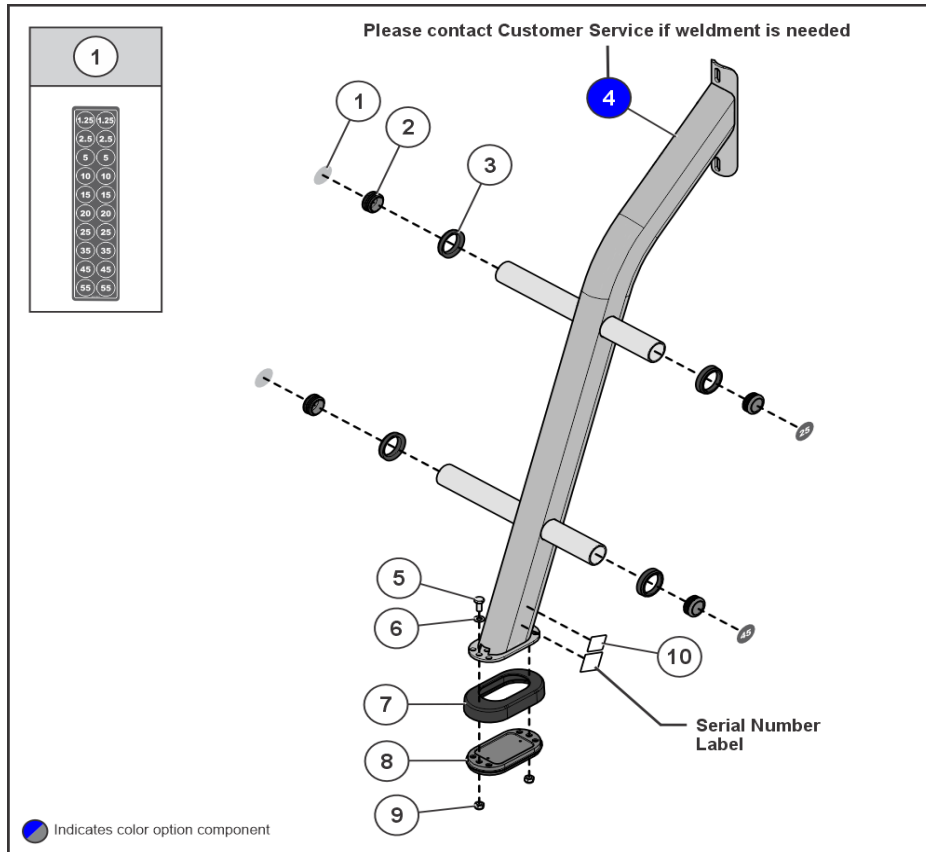
Ref #	Part Number	Qty	Description
1	8351801	1	LABEL, WEIGHT HORN, SHEET
2	3256202	4	SCREW, M10 X 1.5 25MM ZN
3	3102514	4	WASHER, FLAT 3/8 IN SAE ST ZN

# Left Upright Assembly



Ref #	Part Number	Qty	Description
1	8351801	1	LABEL, WEIGHT HORN, SHEET
2	8078002	4	CAP, END, 1.75 OD W/EMBOSS, BLK
3	8094402	4	RING, WT HORN - CHR
4	9189700	1	WLDMT, SOBWS, UPRIGHT, LT
5	8137801	1	LABEL, ASTM, OLY VERT-SHEET
6	3251202	2	M10 X 1.5 X 25MM UNS HEX CS ST ZN
7	3102514	2	WASHER, FLAT 3/8 IN SAE ST ZN
8	7340202	1	COVER, FOOT, STRAIGHT -BLK
9	7334001	1	FOOT, 2.50 X 4.49 FLOV, 10-0074-046, BNR
10	3242002	2	NUT, M10 X 1.5 HEX NYLOCK

## Right Upright Assembly



Ref #	Part Number	Qty	Description
1	8351801	1	LABEL, WEIGHT HORN, SHEET
2	8078002	4	CAP, END, 1.75 OD W/EMBOSS, BLK
3	8094402	4	RING, WT HORN - CHR
4	9189800	1	WLDMT, SOBWS, UPRIGHT, RT
5	3251202	2	M10 X 1.5 X 25MM UNS HEX CS ST ZN
6	3102514	2	WASHER, FLAT 3/8 IN SAE ST ZN
7	7340202	1	COVER, FOOT, STRAIGHT -BLK
8	7334001	1	FOOT, 2.50 X 4.49 FLOV, 10-0074-046, BNR
9	3242002	2	NUT, M10 X 1.5 HEX NYLOCK
10	9488901	1	LABEL, INSIGNIA, FCC

