

# Life Fitness Olympic Weight Tree

LBR-OT

## Parts Manual

7/22/2024 10:34:24 AM



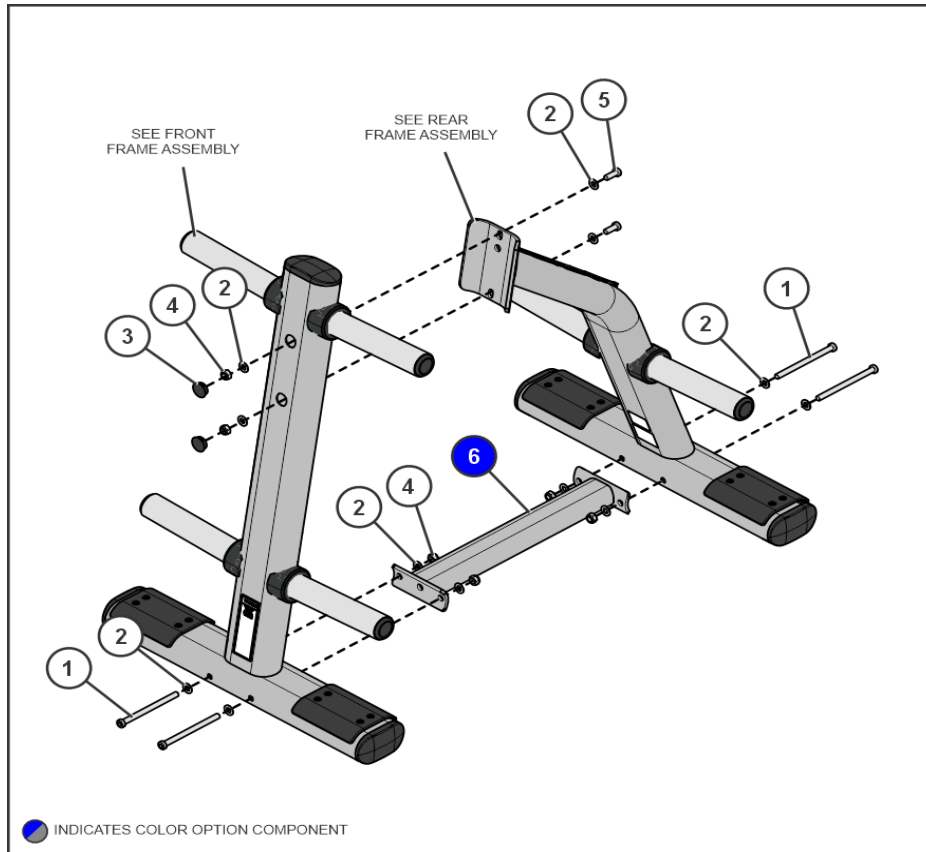


**Table of Contents**

---

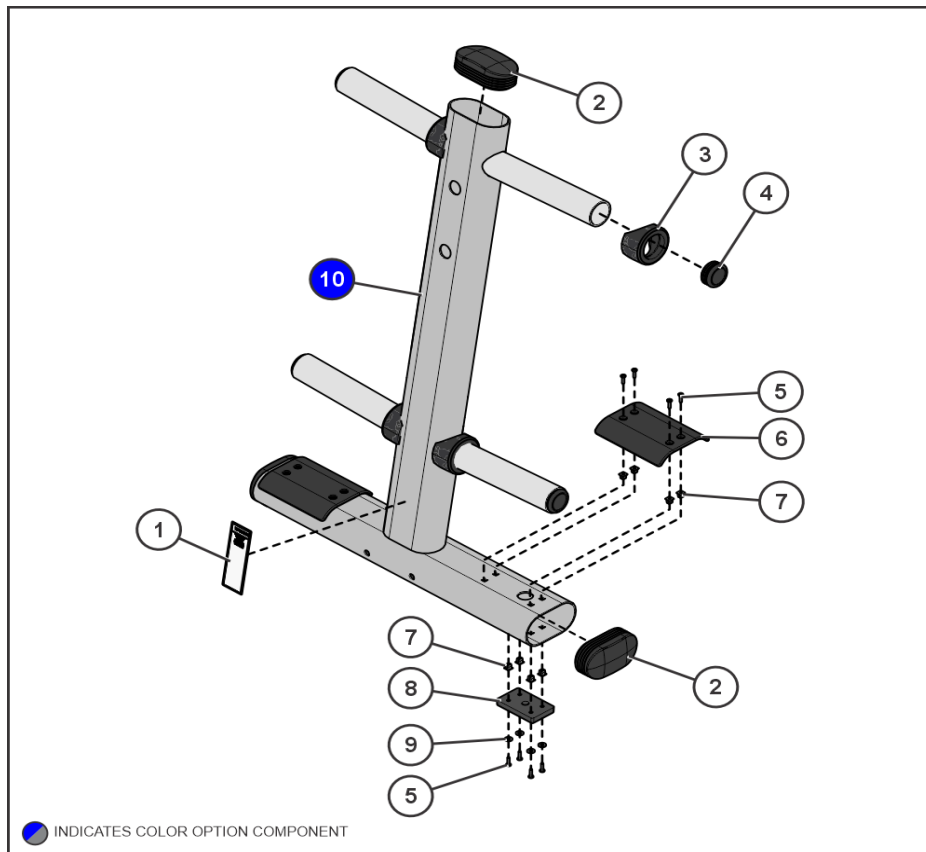
<a href="#">Components</a> .....	3
<a href="#">Front Frame Assembly</a> .....	4
<a href="#">Hardware Kit</a> .....	5
<a href="#">Rear Frame Assembly</a> .....	6

Components



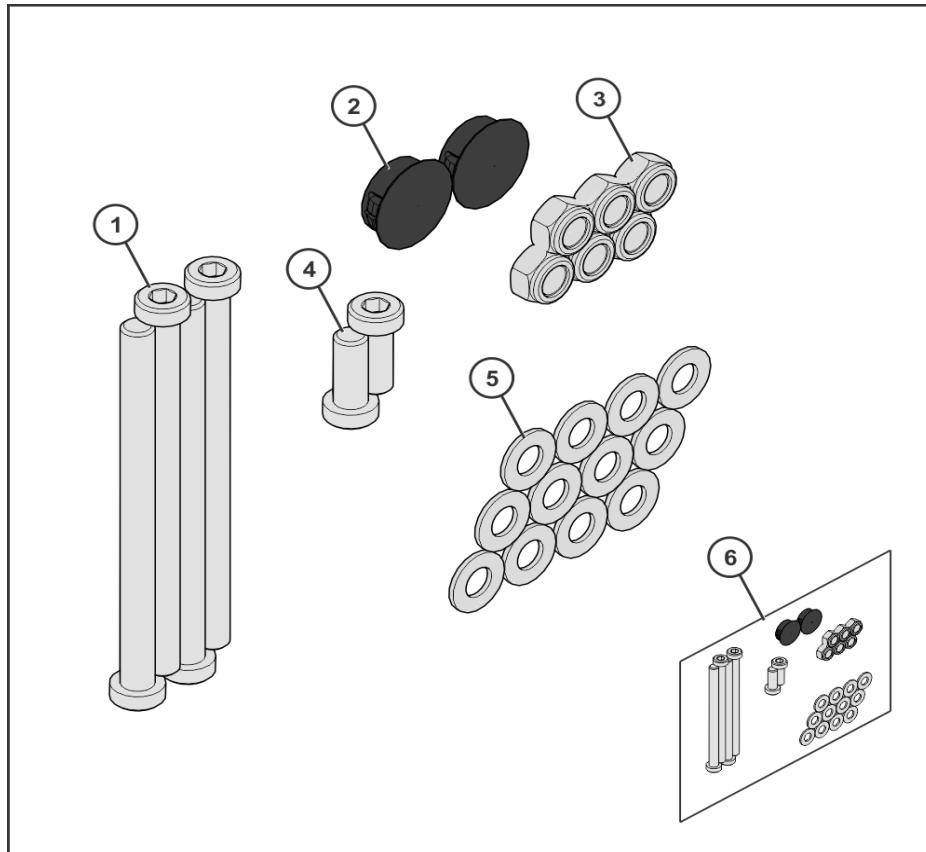
Ref #	Part Number	Qty	Description
1	3236221	4	M10 X 1.5 X 140 SHCS, LOW HEAD
2	3102514	12	WASHER, FLAT 3/8 IN SAE ST ZN
3	3237407	2	PLUG, 1 IN HOLE
4	3242002	6	NUT, M10 X 1.5 HEX NYLOCK
5	3236202	2	M10 X 1.5 X 25 SHCS, LOW HEAD
6	7812500	1	WLDMT, SOWT CROSS MEMBER

## Front Frame Assembly



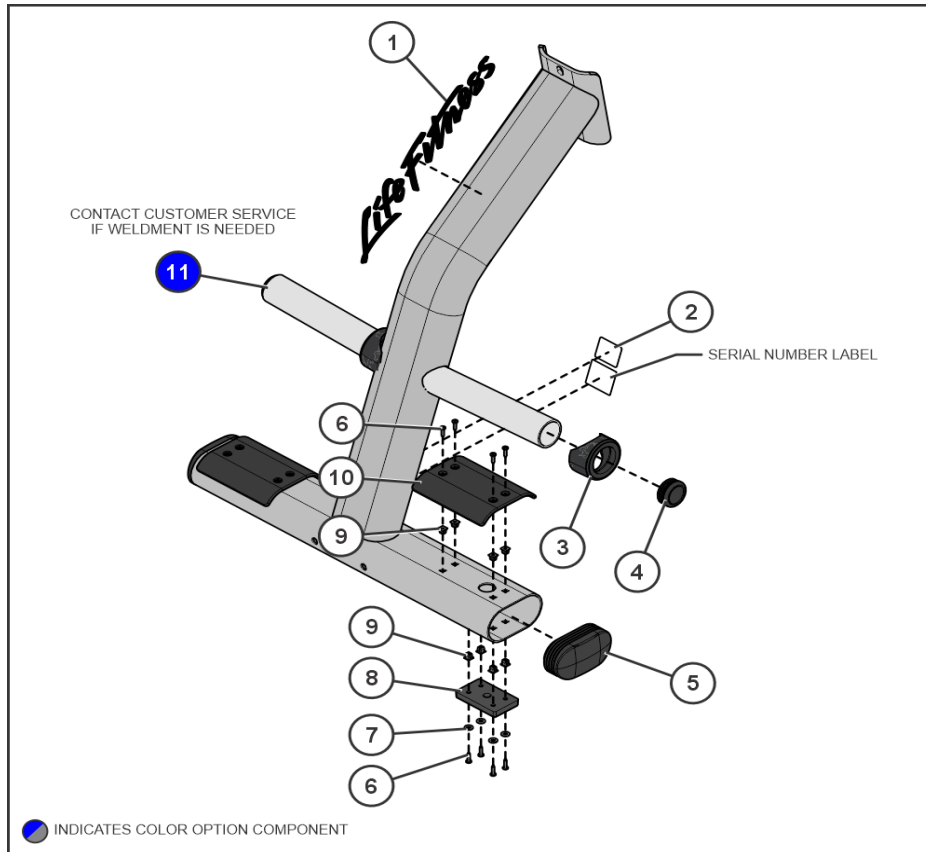
Ref #	Part Number	Qty	Description
1	8137801	1	LABEL, ASTM, OLY VERT-SHEET
2	1022454-0001	3	ENDCAP: FLOV : INJ MOLDED
3	8031802	4	RING, CONTOURED, WEIGHT HORN -BLK
4	8078002	4	CAP, END, 1.75 OD W/EMBOSS, BLK
5	3275801	16	SCREW, 8 X 3/4 DIN PHL PAN AB ST ZB
6	7821703	2	GUARD, SHORT PAINT - CHR
7	0017-00042-1147	16	GROMMET: SCREW, 8 OR 10
8	7810811	2	PAD, RUBBER FOOT -CHR
9	3114407	8	WASHER, FLAT #10 SAE ST BZ
10	1023758-0000	1	WELDMENT: FRONT FRAME

Hardware Kit



Ref #	Part Number	Qty	Description
1	3236221	4	M10 X 1.5 X 140 SHCS, LOW HEAD
2	3237407	2	PLUG, 1 IN HOLE
3	3242002	6	NUT, M10 X 1.5 HEX NYLOCK
4	3236202	2	M10 X 1.5 X 25 SHCS, LOW HEAD
5	3102514	12	WASHER, FLAT 3/8 IN SAE ST ZN
6	1023760-0001	1	KIT: HARDWARE

## Rear Frame Assembly



Ref #	Part Number	Qty	Description
1	7348001	1	LABEL, LIFE FIT 2-1/2 X 15 BLK
2	9488901	1	LABEL, INSIGNIA, FCC
3	8031802	2	RING, CONTOURED, WEIGHT HORN -BLK
4	8078002	2	CAP, END, 1.75 OD W/EMBOSS, BLK
5	1022454-0001	2	ENDCAP: FLOV : INJ MOLDED
6	3275801	8	SCREW, 8 X 3/4 DIN PHL PAN AB ST ZB
7	3114407	8	WASHER, FLAT #10 SAE ST BZ
8	7810811	2	PAD, RUBBER FOOT -CHR
9	0017-00042-1147	8	GROMMET: SCREW, 8 OR 10
10	7821703	2	GUARD, SHORT PAINT - CHR
11	1023756-0000	1	WELDMENT: REAR FRAME

