

# LF B&R OLYMPIC SQUAT RACK

LBR-OS

## Parts Manual

1/3/2025 9:02:34 AM

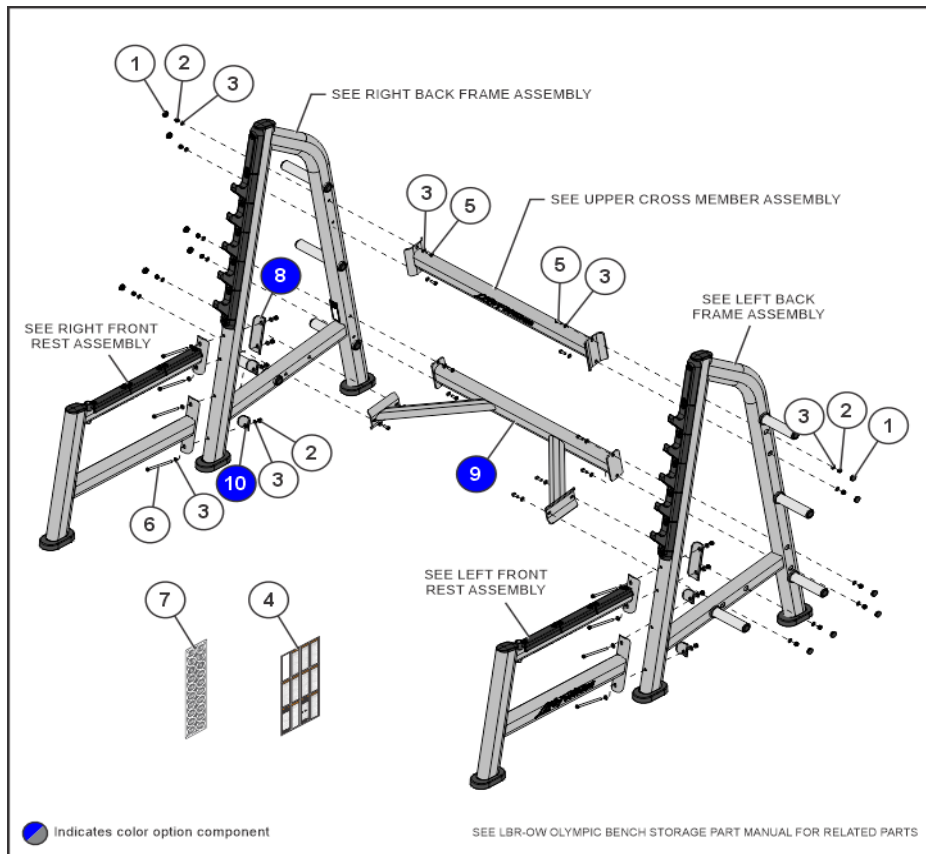


**Table of Contents**

---

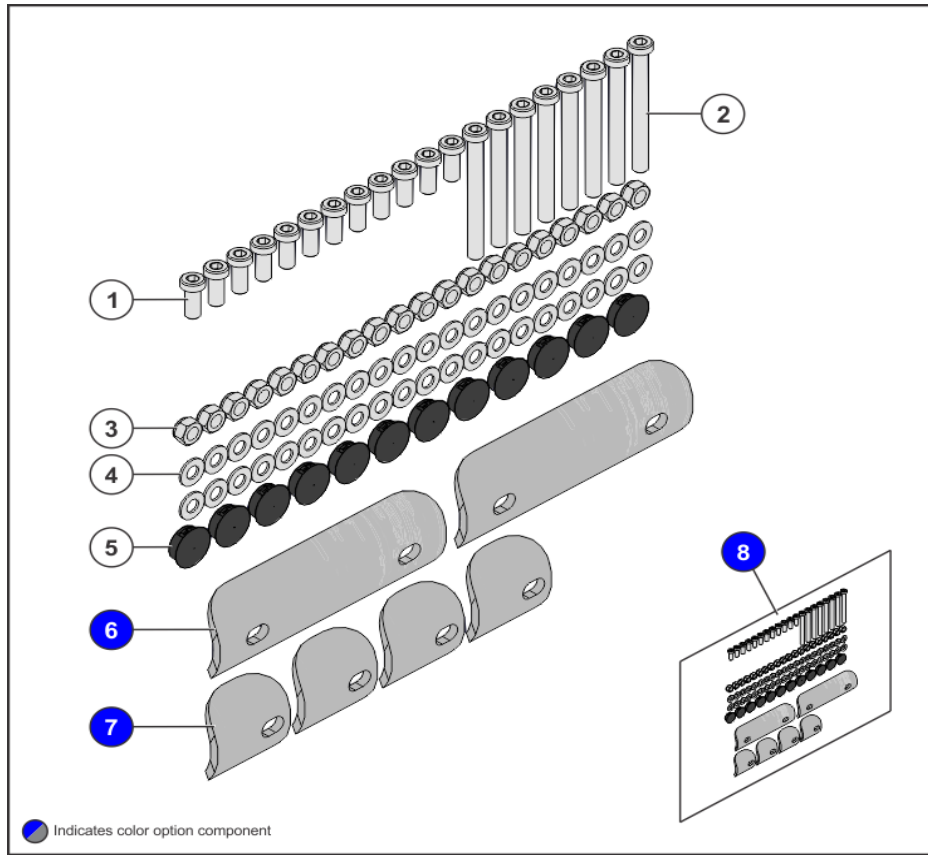
[Components.....](#)3  
[Hardware Bag.....](#)4  
[Left Back Frame Assembly.....](#)5  
[Left Rest Assembly.....](#)6  
[Right Back Frame Assembly.....](#)7  
[Right Rest Assembly.....](#)8  
[Upper Cross Member Assembly.....](#)9

### Components



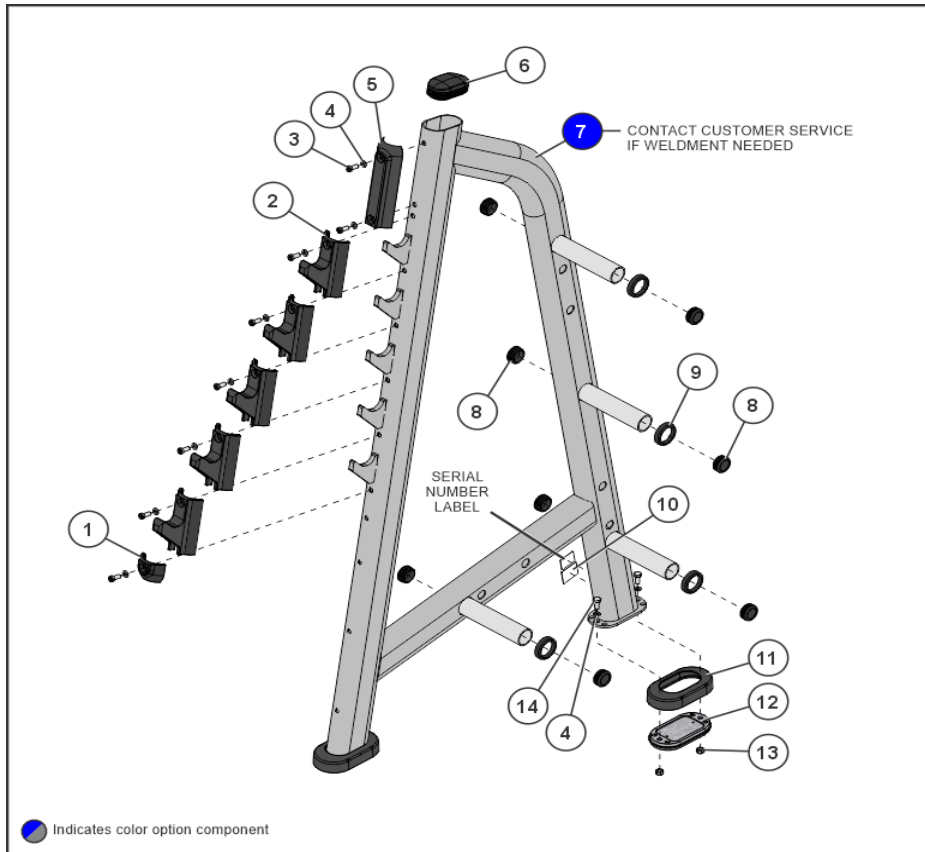
Ref #	Part Number	Qty	Description
1	3237407	12	PLUG, 1 IN HOLE
2	3242002	20	NUT, M10 X 1.5 HEX NYLOCK
3	3102514	40	WASHER, FLAT 3/8 IN SAE ST ZN
4	8137801	1	LABEL, ASTM, OLY VERT-SHEET
5	3256202	12	SCREW, M10 X 1.5 25MM ZN
6	3236217	8	M10 X 1.5 X 100 SHCS, LOW HEAD
7	8351801	1	LABEL, WEIGHT HORN, SHEET
8	8038800	2	BRACKET, SOSR
9	7969800	1	WLDMT, SOSR X-MEM Custom
10	8039000	4	BRKT, SOSR, 3.325"

# Hardware Bag



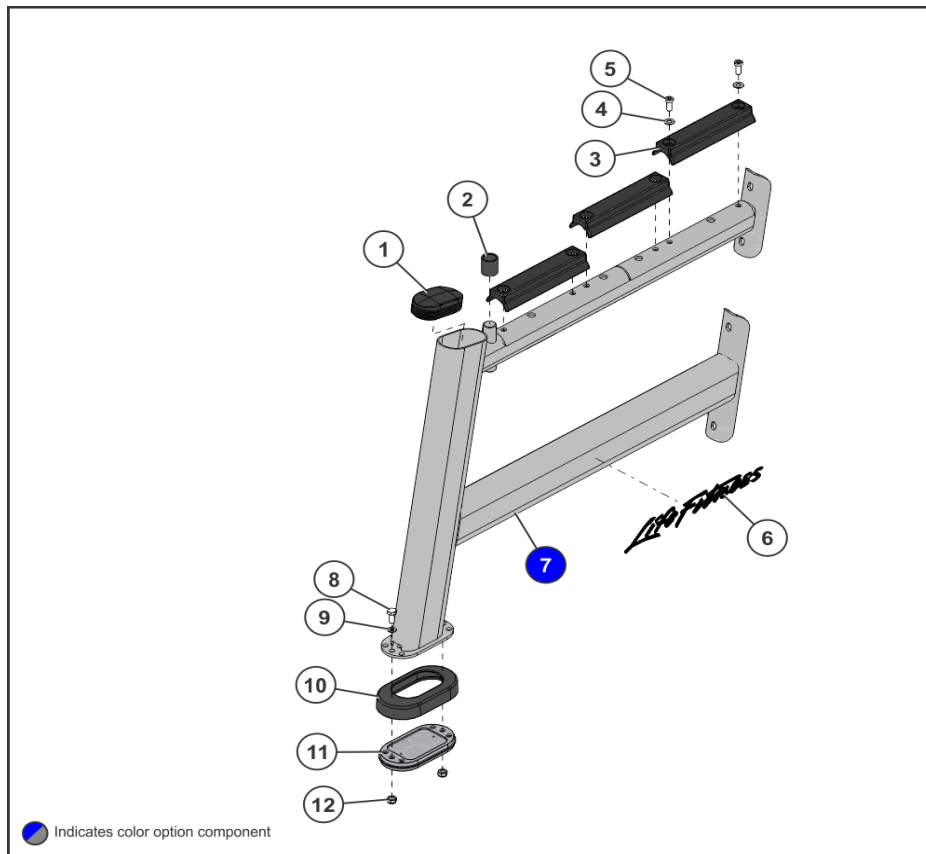
Ref #	Part Number	Qty	Description
1	3256202	12	SCREW, M10 X 1.5 25MM ZN
2	3236217	8	M10 X 1.5 X 100 SHCS, LOW HEAD
3	3242002	20	NUT, M10 X 1.5 HEX NYLOCK
4	3102514	40	WASHER, FLAT 3/8 IN SAE ST ZN
5	3237407	12	PLUG, 1 IN HOLE
6	8038800	2	BRACKET, SOSR
7	8039000	4	BRKT, SOSR, 3.325"
8	1024044-0000	1	KIT: HARDWARE

# Left Back Frame Assembly



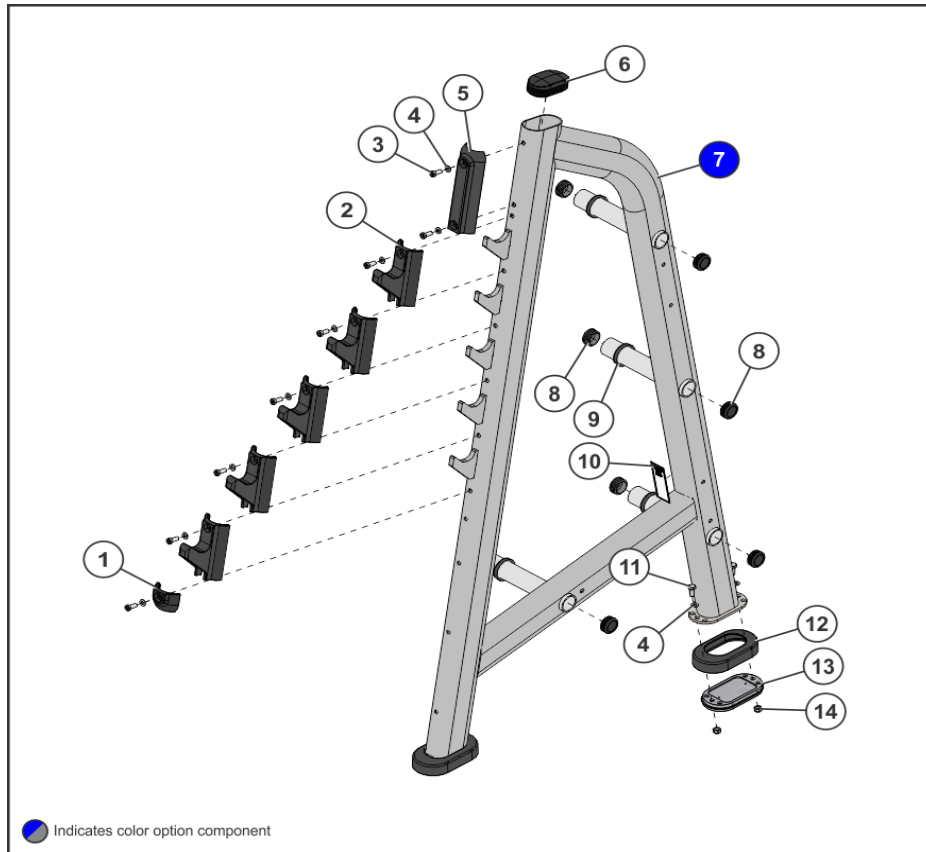
Ref #	Part Number	Qty	Description
1	8077502	1	GUARD, BAR CATCH, LOWER - CHR
2	7804502	5	HOOK, BAR CATCH - CHR
3	3256202	8	SCREW, M10 X 1.5 25MM ZN
4	3102514	12	WASHER, FLAT 3/8 IN SAE ST ZN
5	7804602	1	GUARD, BAR CATCH - CHR
6	1022454-0001	1	ENDCAP: FLOV : INJ MOLDED
7	7969600	1	WLDMT, SOSR LEFT BACK FRM Custom
8	8078002	8	CAP, END, 1.75 OD W/EMBOSS, BLK
9	8094402	4	RING, WT HORN - CHR
10	9488901	1	LABEL, INSIGNIA, FCC
11	7340202	2	COVER, FOOT, STRAIGHT -BLK
12	7334001	2	FOOT, 2.50 X 4.49 FLOV, 10-0074-046, BNR
13	3242002	4	NUT, M10 X 1.5 HEX NYLOCK
14	3251202	4	M10 X 1.5 X 25MM UNS HEX CS ST ZN

# Left Rest Assembly



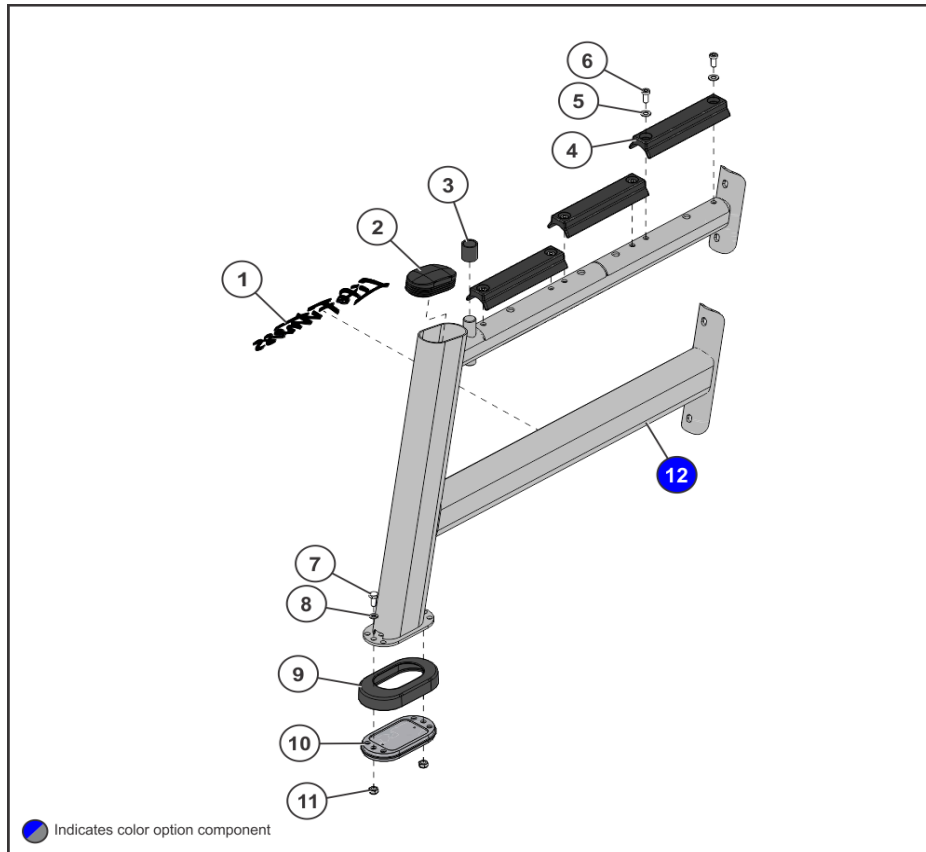
Ref #	Part Number	Qty	Description
1	1022454-0001	1	ENDCAP: FLOV : INJ MOLDED
2	8101502	1	BUMPER, SLEEVE - 1 INCH DIA - CHR
3	7878703	3	GUARD, BAR REST - CHR
4	3102514	6	WASHER, FLAT 3/8 IN SAE ST ZN
5	3256202	6	SCREW, M10 X 1.5 25MM ZN
6	7348001	1	LABEL, LIFE FIT 2-1/2 X 15 BLK
7	7969900	1	WLDMT, SOSR, FRONT REST Custom
8	3251202	2	M10 X 1.5 X 25MM UNS HEX CS ST ZN
9	3102509	2	WASHER, FLAT 5/16 ID SAE ZN
10	7340202	1	COVER, FOOT, STRAIGHT -BLK
11	7334001	1	FOOT, 2.50 X 4.49 FLOV, 10-0074-046, BNR
12	3242002	2	NUT, M10 X 1.5 HEX NYLOCK

## Right Back Frame Assembly



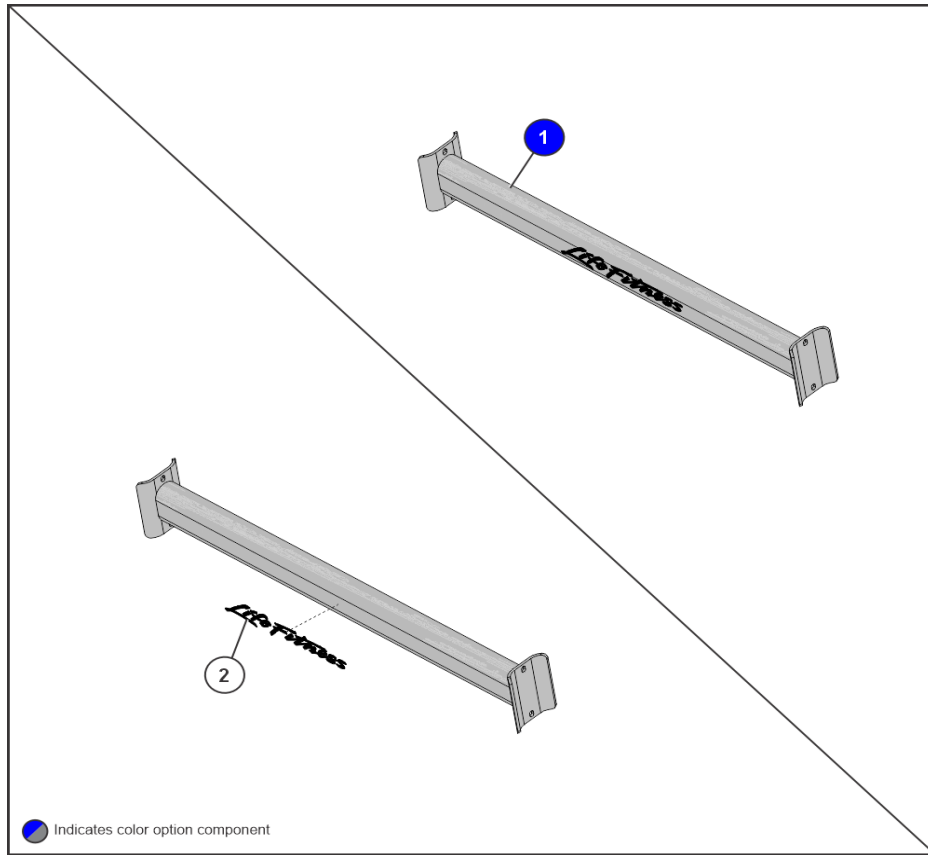
Ref #	Part Number	Qty	Description
1	8077502	1	GUARD, BAR CATCH, LOWER - CHR
2	7804502	5	HOOK, BAR CATCH - CHR
3	3256202	8	SCREW, M10 X 1.5 25MM ZN
4	3102514	12	WASHER, FLAT 3/8 IN SAE ST ZN
5	7804602	1	GUARD, BAR CATCH - CHR
6	1022454-0001	1	ENDCAP: FLOV : INJ MOLDED
7	7969700	1	WLDMT, SOSR RIGHT BACK FRM Custom
8	8078002	8	CAP, END, 1.75 OD W/EMBOSS, BLK
9	8094402	4	RING, WT HORN - CHR
10	8137801	1	LABEL, ASTM, OLY VERT-SHEET
11	3251202	4	M10 X 1.5 X 25MM UNS HEX CS ST ZN
12	7340202	2	COVER, FOOT, STRAIGHT -BLK
13	7334001	2	FOOT, 2.50 X 4.49 FLOV, 10-0074-046, BNR
14	3242002	4	NUT, M10 X 1.5 HEX NYLOCK

## Right Rest Assembly



Ref #	Part Number	Qty	Description
1	7348001	1	LABEL, LIFE FIT 2-1/2 X 15 BLK
2	1022454-0001	1	ENDCAP: FLOV : INJ MOLDED
3	8101502	1	BUMPER, SLEEVE - 1 INCH DIA - CHR
4	7878703	3	GUARD, BAR REST - CHR
5	3102514	6	WASHER, FLAT 3/8 IN SAE ST ZN
6	3256202	6	SCREW, M10 X 1.5 25MM ZN
7	3251202	2	M10 X 1.5 X 25MM UNS HEX CS ST ZN
8	3102509	2	WASHER, FLAT 5/16 ID SAE ZN
9	7340202	1	COVER, FOOT, STRAIGHT -BLK
10	7334001	1	FOOT, 2.50 X 4.49 FLOV, 10-0074-046, BNR
11	3242002	2	NUT, M10 X 1.5 HEX NYLOCK
12	7969900	1	WLDMT, SOSR, FRONT REST Custom

## Upper Cross Member Assembly



Ref #	Part Number	Qty	Description
1	1024029-0000	1	ASSEMBLY: CROSS MEMBER W/O HOLES Custom
2	7348001	1	LABEL, LIFE FIT 2-1/2 X 15 BLK

