

Frame PF Purple Built-to-Order

LBR-OM-1H18-101

Parts Manual

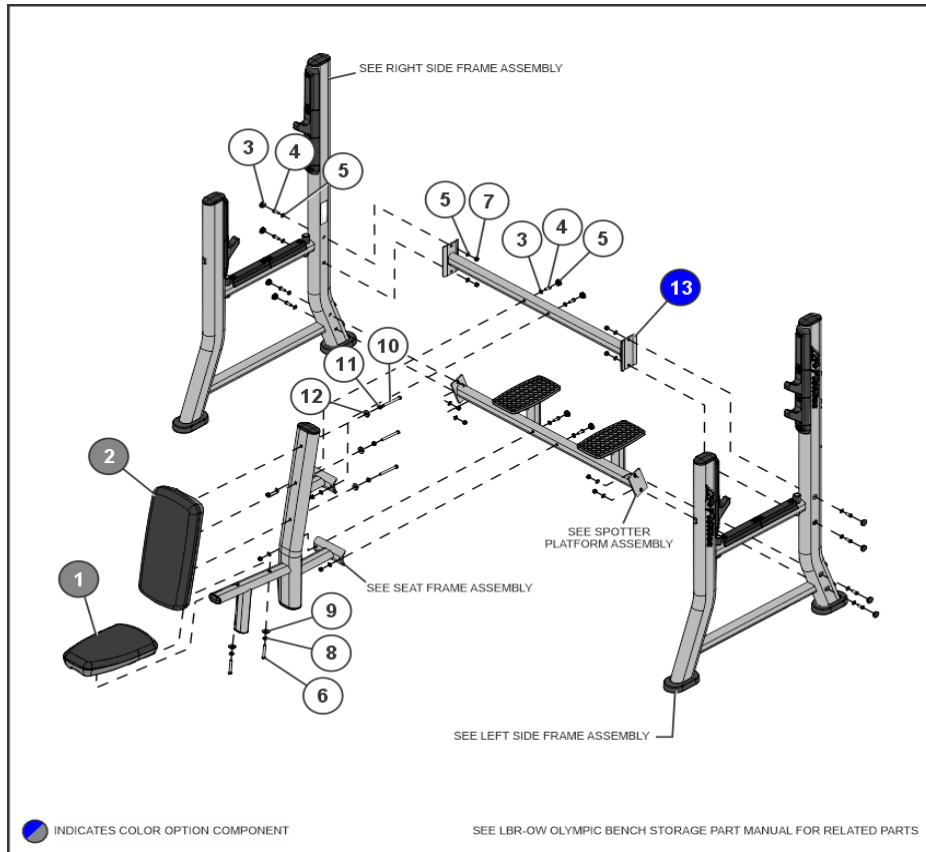
1/3/2025 9:01:51 AM



Table of Contents

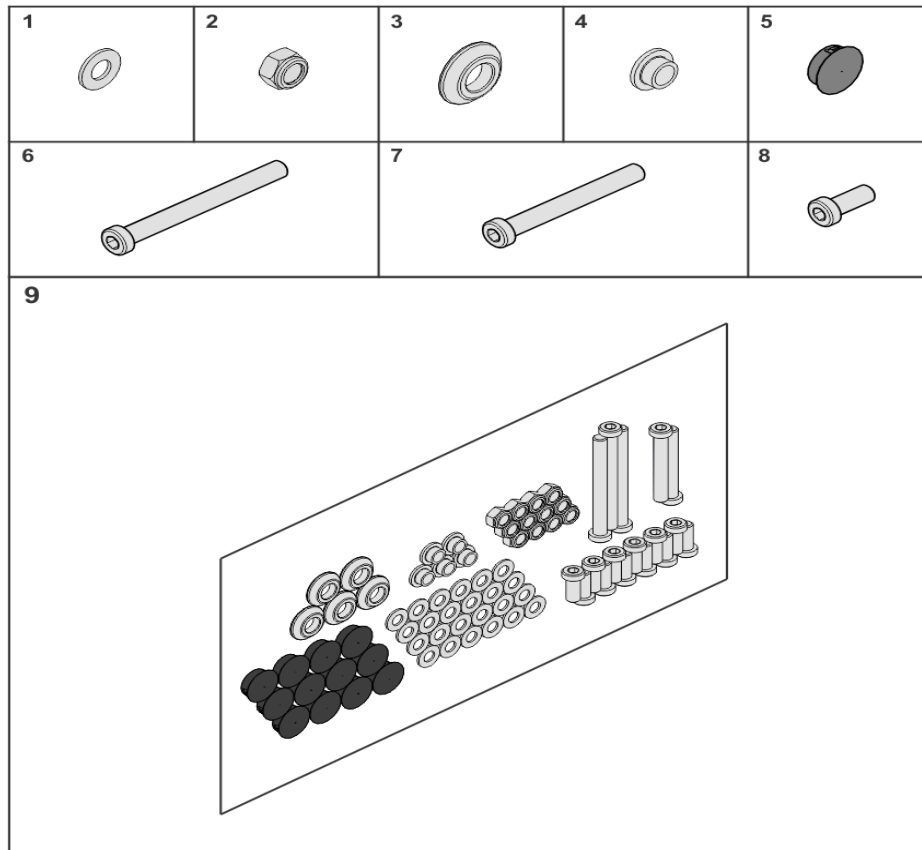
[Components.....](#)3
[Hardware Kit.....](#)4
[Left Side Frame Assembly.....](#)5
[Right Upright Assembly.....](#)6
[Seat Frame Assembly.....](#)7
[Spotter Platform Assembly.....](#)8

Components



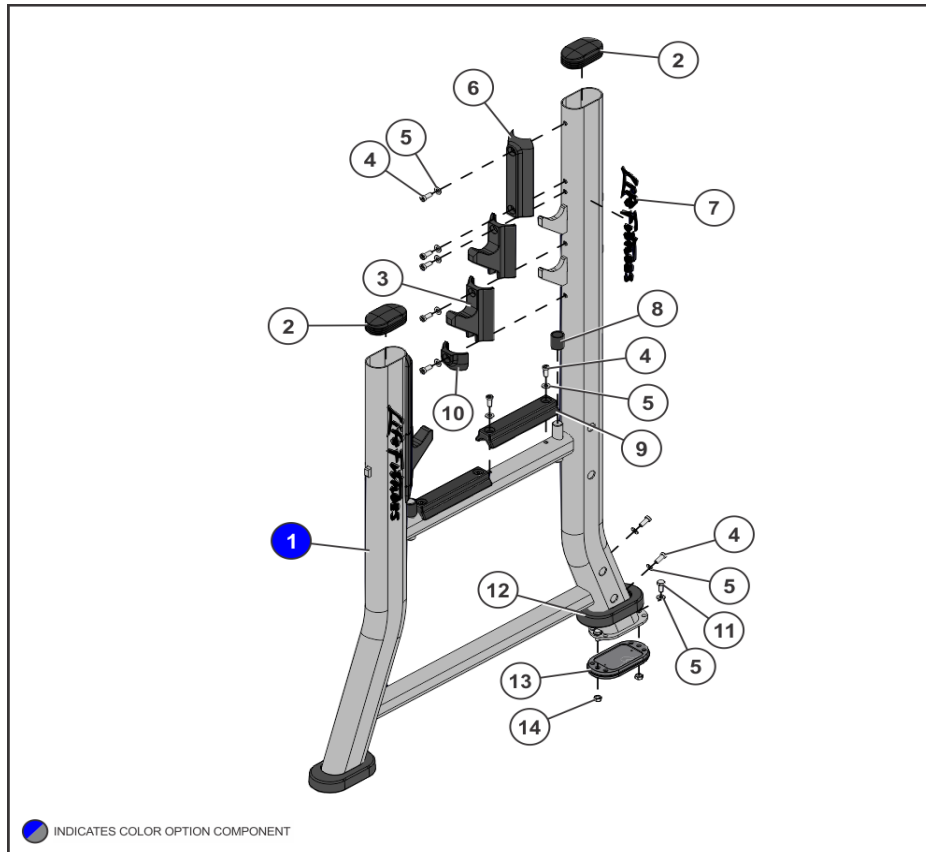
Ref #	Part Number	Qty	Description
1	1023525-0001	1	PAD, 10 X 16 TAPERED CONVEX, BLACK, SINGLE-STITCH
1	1023525-0199	1	PAD, 10 X 16 TAPERED CONVEX, CUS, DOUBLE-STITCH
1	1023525-0101	1	PAD, 10 X 16 TAPERED CONVEX, BLACK, DOUBLE-STITCH
1	1023525-0099	1	PAD, 10 X 16 TAPERED CONVEX, CUS, SINGLE-STITCH
2	1000014-0101	1	PAD, 24 X 11 FLAT CUS, DBL STITCH-- BLACK
2	1000014-0099	1	PAD, 24 X 11 FLAT CUS, SNGL STITCH- Custom
2	1000014-0001	1	PAD, 24 X 11 FLAT CUS, SNGL STITCH- BLACK
2	1000014-0199	1	PAD, 24 X 11 FLAT CUS, DBL STITCH-- Custom
3	3237407	12	PLUG, 1 IN HOLE
4	3256202	12	SCREW, M10 X 1.5 25MM ZN
5	3102514	24	WASHER, FLAT 3/8 IN SAE ST ZN
6	3256211	2	SCREW, M10 X 1.5 70MM ZN
7	3242002	12	NUT, M10 X 1.5 HEX NYLOCK
10	3236217	3	M10 X 1.5 X 100 SHCS, LOW HEAD
11,8	7630101	10	RETAINER, CM/MJ, PULLEY
12,9	1012186-0001	10	SPACER: 1-1/4 OD X 1/4
13	8159100	1	WLDMT, SOMB, X-MEM Custom

Hardware Kit



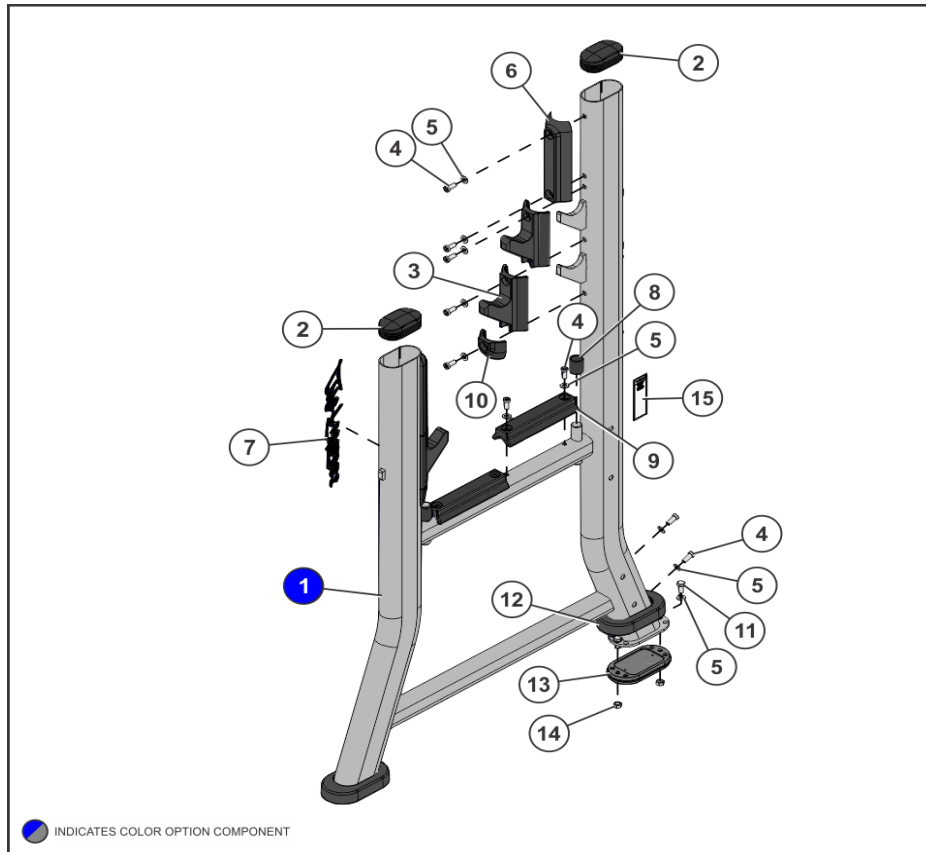
Ref #	Part Number	Qty	Description
1	3102514	24	WASHER, FLAT 3/8 IN SAE ST ZN
2	3242002	12	NUT, M10 X 1.5 HEX NYLOCK
3	1012186-0001	5	SPACER: 1-1/4 OD X 1/4
4	7630101	5	RETAINER, CM/MJ, PULLEY
5	3237407	12	PLUG, 1 IN HOLE
6	3236217	3	M10 X 1.5 X 100 SHCS, LOW HEAD
7	3256211	2	SCREW, M10 X 1.5 70MM ZN
8	3256202	12	SCREW, M10 X 1.5 25MM ZN
9	1024340-0001	1	KIT: HARDWARE

Left Side Frame Assembly



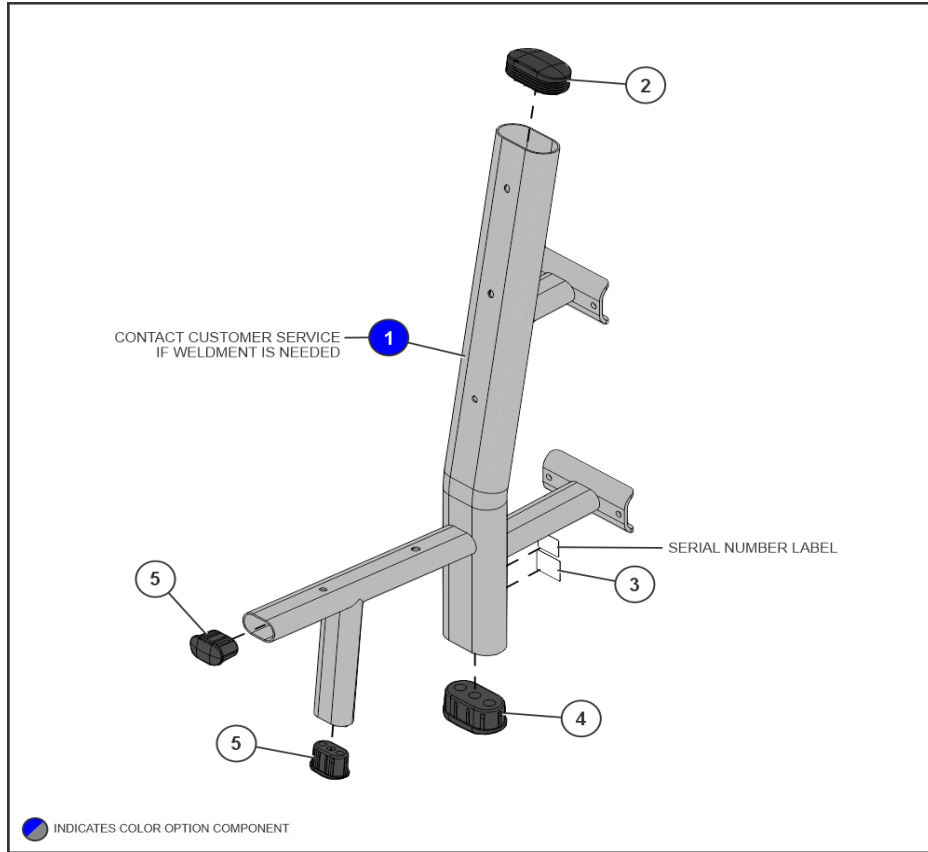
Ref #	Part Number	Qty	Description
1	8157800	1	WLDMT, SOMB, LEFT SIDE FRAME Custom
2	1022454-0001	2	ENDCAP: FLOV : INJ MOLDED
3	7804502	3	HOOK, BAR CATCH - CHR
4	3256202	17	SCREW, M10 X 1.5 25MM ZN
5	3102514	21	WASHER, FLAT 3/8 IN SAE ST ZN
6	7804602	2	GUARD, BAR CATCH - CHR
7	7348001	2	LABEL, LIFE FIT 2-1/2 X 15 BLK
8	8101502	2	BUMPER, SLEEVE - 1 INCH DIA - CHR
9	7878704	2	GUARD, BAR REST - NO REINFORCEMENTS - CHR
10	8077502	2	GUARD, BAR CATCH, LOWER - CHR
11	3251202	4	M10 X 1.5 X 25MM UNS HEX CS ST ZN
12	7340202	2	COVER, FOOT, STRAIGHT -BLK
13	LEA7763001	2	FOOT: 2.50 X 4.49

Right Upright Assembly



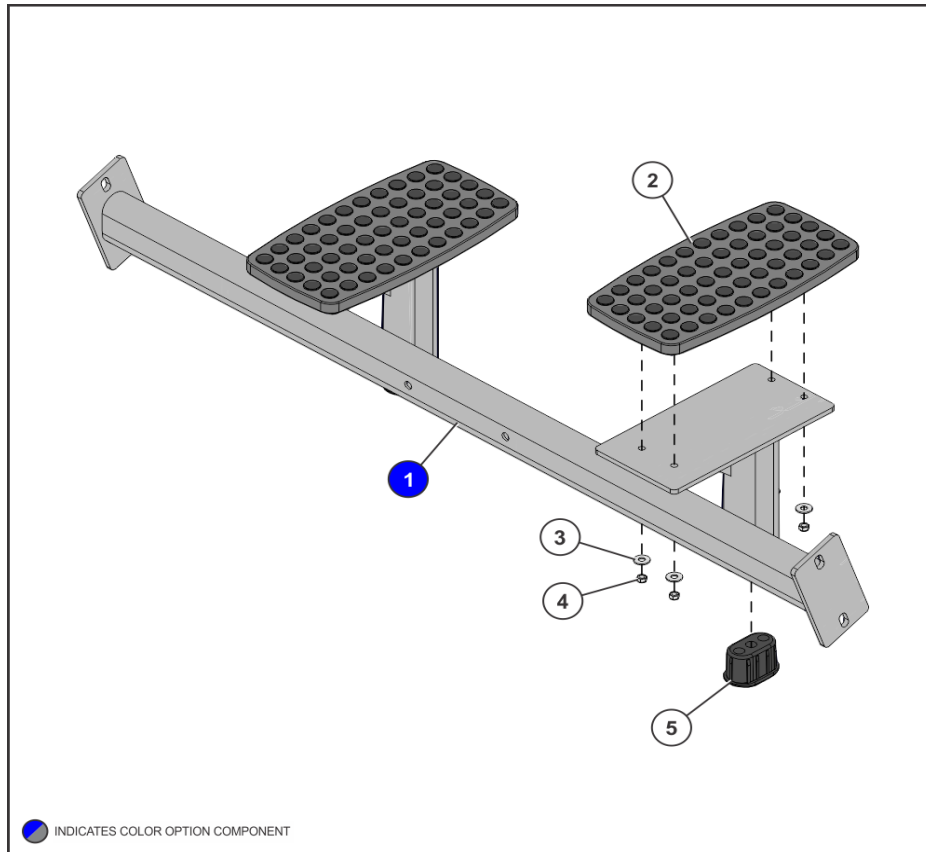
Ref #	Part Number	Qty	Description
1	8218700	1	WLDMT, SOMB, RIGHT SIDE FRAME Custom
2	1022454-0001	2	ENDCAP: FLOV : INJ MOLDED
3	7804502	3	HOOK, BAR CATCH - CHR
4	3256202	17	SCREW, M10 X 1.5 25MM ZN
5	3102514	21	WASHER, FLAT 3/8 IN SAE ST ZN
6	7804602	2	GUARD, BAR CATCH - CHR
7	7348001	2	LABEL, LIFE FIT 2-1/2 X 15 BLK
8	8101502	2	BUMPER, SLEEVE - 1 INCH DIA - CHR
9	7878704	2	GUARD, BAR REST - NO REINFORCEMENTS - CHR
10	8077502	2	GUARD, BAR CATCH, LOWER - CHR
11	3251202	4	M10 X 1.5 X 25MM UNS HEX CS ST ZN
12	7340202	2	COVER, FOOT, STRAIGHT -BLK
13	LEA7763001	2	FOOT: 2.50 X 4.49
14	3254703	4	NUT, M10 X 1.5 HEX ZINC
15	8137801	1	LABEL, ASTM, OLY VERT-SHEET

Seat Frame Assembly



Ref #	Part Number	Qty	Description
1	1024017-0000	1	WELDMENT: SEAT FRAME Custom
2,4	1022454-0001	2	ENDCAP: FLOV : INJ MOLDED
3	9488901	1	LABEL, INSIGNIA, FCC
5	7800502	2	CAP, SML FLOV END -CHR

Spotter Platform Assembly



Ref #	Part Number	Qty	Description
1	8159500	1	WLDMT, SOMB, SPOTTER STAND Custom
2	7640302	2	FOOT PAD, CM/MJ OVERMOLD
3	3102506	8	WASHER, FLAT 1/4 ID ZN
4	3242003	8	NUT, M6 X 1.0 HEX NYLOCK SS
5	7800502	2	CAP, SML FLOV END -CHR

