

# Frame Mocha Sand Built-to-Order

LBR-OF-1H29-101

## Parts Manual

1/3/2025 8:58:41 AM



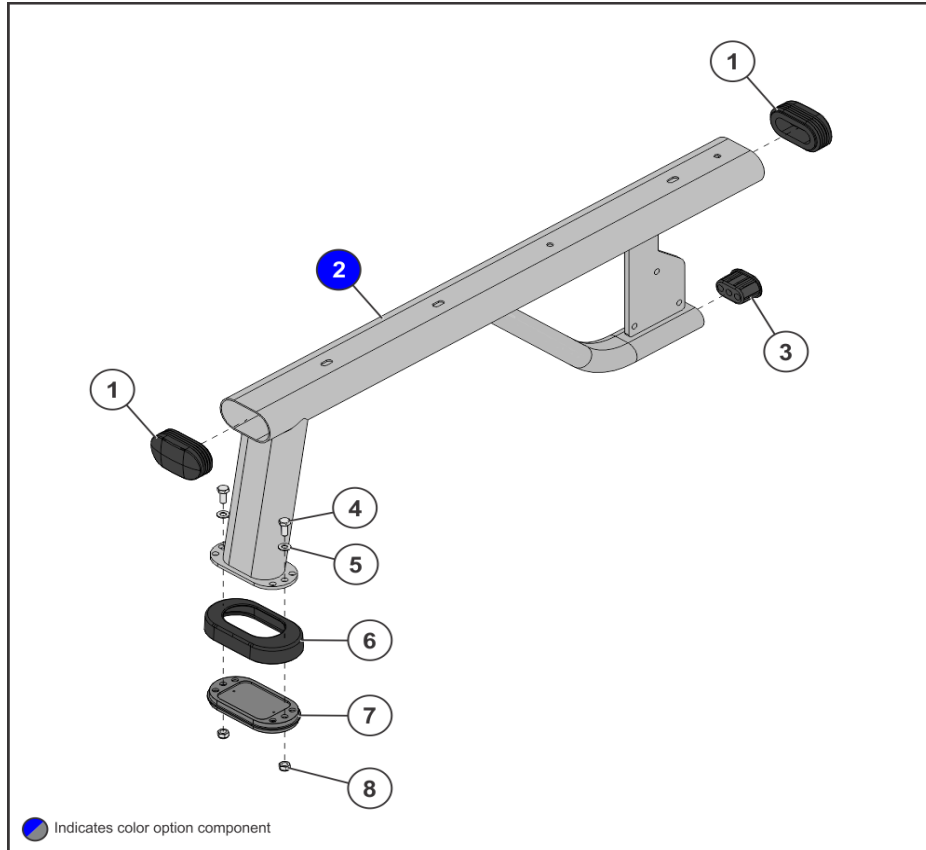


**Table of Contents**

---

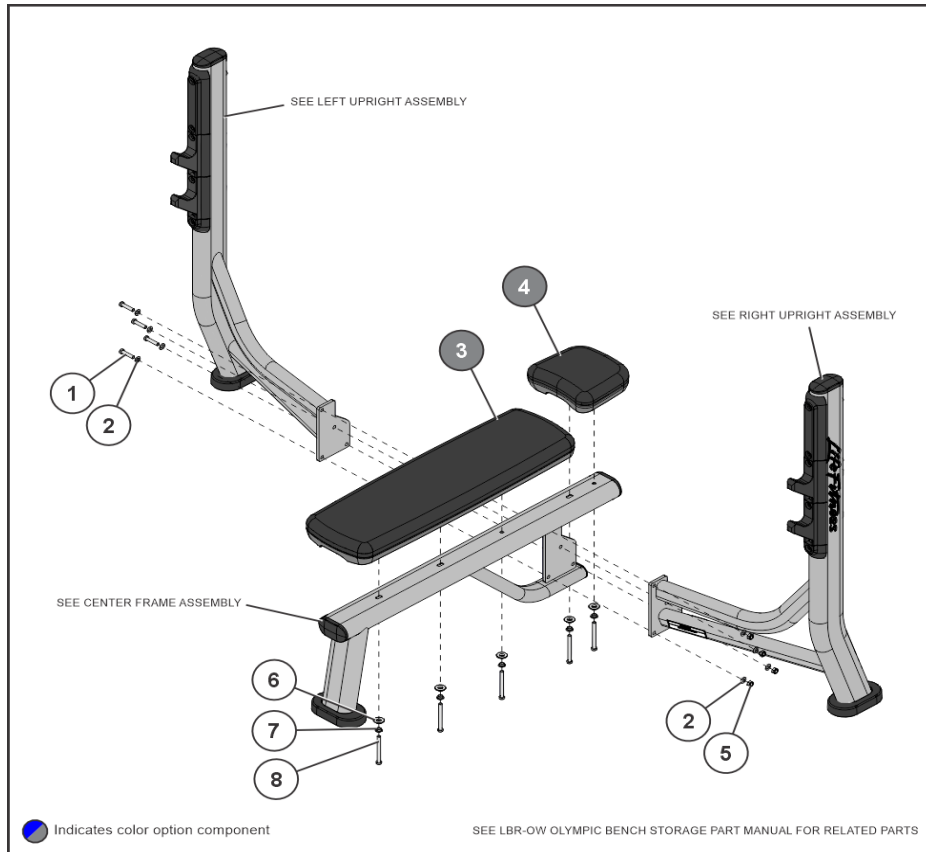
[Center Frame Assembly](#).....3  
[Components](#).....4  
[Hardware Kit](#).....5  
[Left Upright Assembly](#).....6  
[Right Upright Assembly](#).....7

## Center Frame Assembly



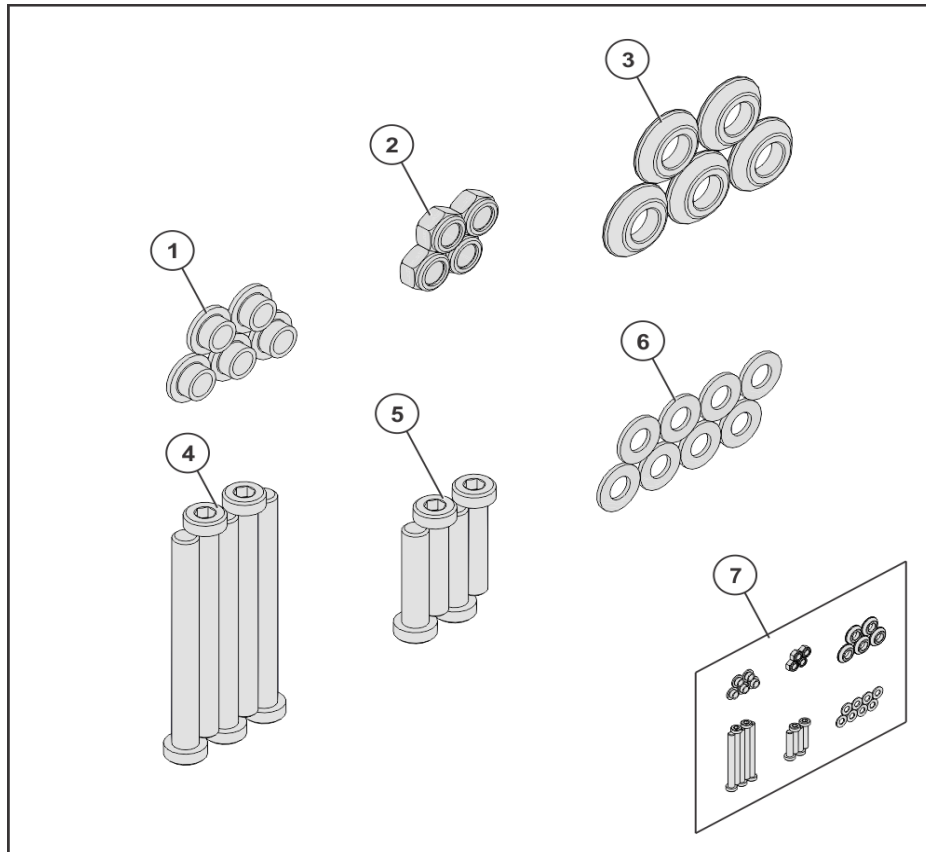
Ref #	Part Number	Qty	Description
1	1022454-0001	2	ENDCAP: FLOV : INJ MOLDED
2	1023747-0000	1	WLDMT, SOFB, CENTER FRAME Custom
3	7800502	1	CAP, SML FLOV END -CHR
4	3251202	2	M10 X 1.5 X 25MM UNS HEX CS ST ZN
5	3102514	2	WASHER, FLAT 3/8 IN SAE ST ZN
6	7340202	1	COVER, FOOT, STRAIGHT -BLK
7	7334001	1	FOOT, 2.50 X 4.49 FLOV, 10-0074-046, BNR
8	3242002	2	NUT, M10 X 1.5 HEX NYLOCK

## Components



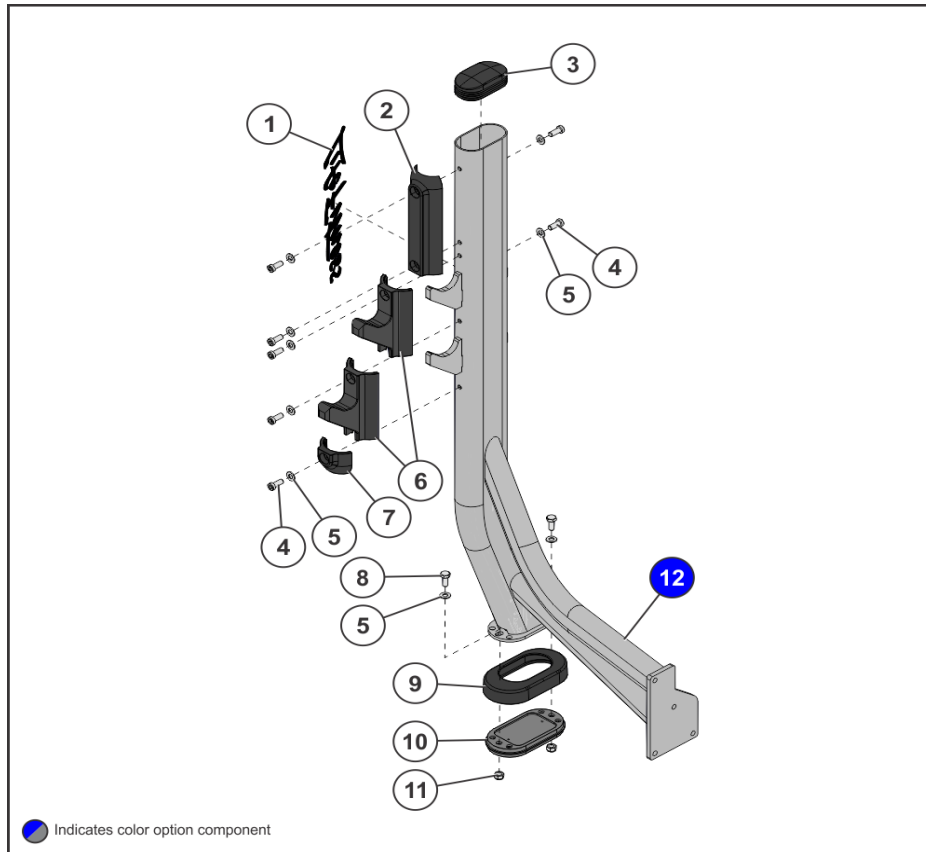
Ref #	Part Number	Qty	Description
1	3256206	4	SCREW, M10 X 1.5 45MM ZN
2	3102514	8	WASHER, FLAT 3/8 IN SAE ST ZN
3	1023447-0101	1	PAD: HEAD REST, FLAT, CUS, DOUBLE-STITCH Black
3	1023447-0199	1	PAD: HEAD REST, FLAT, CUS, DOUBLE-STITCH Custom
3	1023447-0099	1	PAD: HEAD REST, FLAT, CUS, SINGLE-STITCH Custom
3	1023447-0001	1	PAD: HEAD REST, FLAT, CUS, SINGLE-STITCH Black
4	1023388-0101	1	PAD: 36 X 11, FLAT, CUS, DOUBLE-STITCH Black
4	1023388-0099	1	PAD: 36 X 11, FLAT, CUS, SINGLE-STITCH Custom
4	1023388-0199	1	PAD: 36 X 11, FLAT, CUS, DOUBLE-STITCH Custom
4	1023388-0001	1	PAD: 36 X 11, FLAT, CUS, SINGLE-STITCH Black
5	3242002	4	NUT, M10 X 1.5 HEX NYLOCK
6	1012186-0001	5	SPACER: 1-1/4 OD X 1/4
7	7630101	5	RETAINER, CM/MJ, PULLEY
8	3236217	5	M10 X 1.5 X 100 SHCS, LOW HEAD

## Hardware Kit



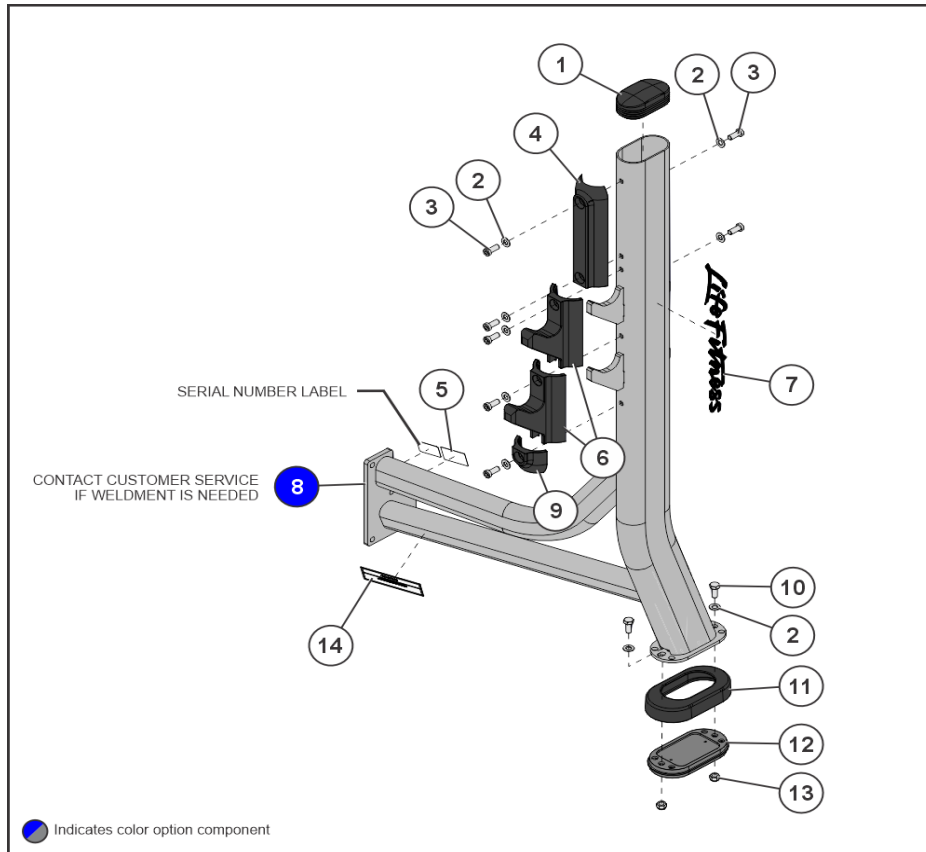
Ref #	Part Number	Qty	Description
1	7630101	5	RETAINER, CM/MJ, PULLEY
2	3242002	4	NUT, M10 X 1.5 HEX NYLOCK
3	1012186-0001	5	SPACER: 1-1/4 OD X 1/4
4	3236217	5	M10 X 1.5 X 100 SHCS, LOW HEAD
5	3256206	4	SCREW, M10 X 1.5 45MM ZN
6	3102514	8	WASHER, FLAT 3/8 IN SAE ST ZN
7	1023750-0001	1	KIT: HARDWARE

# Left Upright Assembly



Ref #	Part Number	Qty	Description
1	7348001	1	LABEL, LIFE FIT 2-1/2 X 15 BLK
2	7804602	1	GUARD, BAR CATCH - CHR
3	1022454-0001	1	ENDCAP: FLOV : INJ MOLDED
4	3256202	7	SCREW, M10 X 1.5 25MM ZN
5	3102514	9	WASHER, FLAT 3/8 IN SAE ST ZN
6	7804502	2	HOOK, BAR CATCH - CHR
7	8077502	1	GUARD, BAR CATCH, LOWER - CHR
8	3251202	2	M10 X 1.5 X 25MM UNS HEX CS ST ZN
9	7340202	1	COVER, FOOT, STRAIGHT -BLK
10	7334001	1	FOOT, 2.50 X 4.49 FLOV, 10-0074-046, BNR
11	3242002	2	NUT, M10 X 1.5 HEX NYLOCK
12	1023752-0000	1	WELDMENT: UPRIGHT LEFT Custom

## Right Upright Assembly



Ref #	Part Number	Qty	Description
1	1022454-0001	1	ENDCAP: FLOV : INJ MOLDED
2	3102514	9	WASHER, FLAT 3/8 IN SAE ST ZN
3	3256202	7	SCREW, M10 X 1.5 25MM ZN
4	7804602	1	GUARD, BAR CATCH - CHR
5	9488901	1	LABEL, INSIGNIA, FCC
6	7804502	2	HOOK, BAR CATCH - CHR
7	7348001	1	LABEL, LIFE FIT 2-1/2 X 15 BLK
8	1023752-0000	1	WELDMENT: UPRIGHT LEFT Custom
9	8077502	1	GUARD, BAR CATCH, LOWER - CHR
10	3251202	2	M10 X 1.5 X 25MM UNS HEX CS ST ZN
11	7340202	1	COVER, FOOT, STRAIGHT -BLK
12	7334001	1	FOOT, 2.50 X 4.49 FLOV, 10-0074-046, BNR
13	3242002	2	NUT, M10 X 1.5 HEX NYLOCK

