

LF B&R OLYMPIC DECLINE BENCH

LBR-OD

Parts Manual

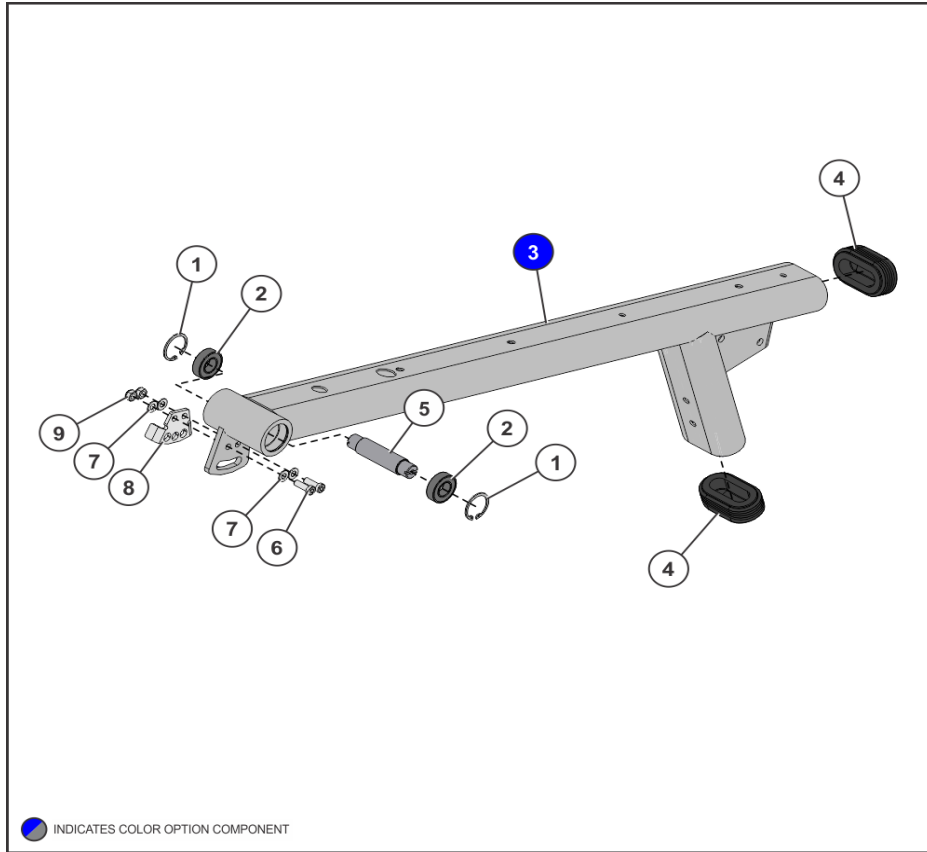
1/3/2025 8:55:35 AM



Table of Contents

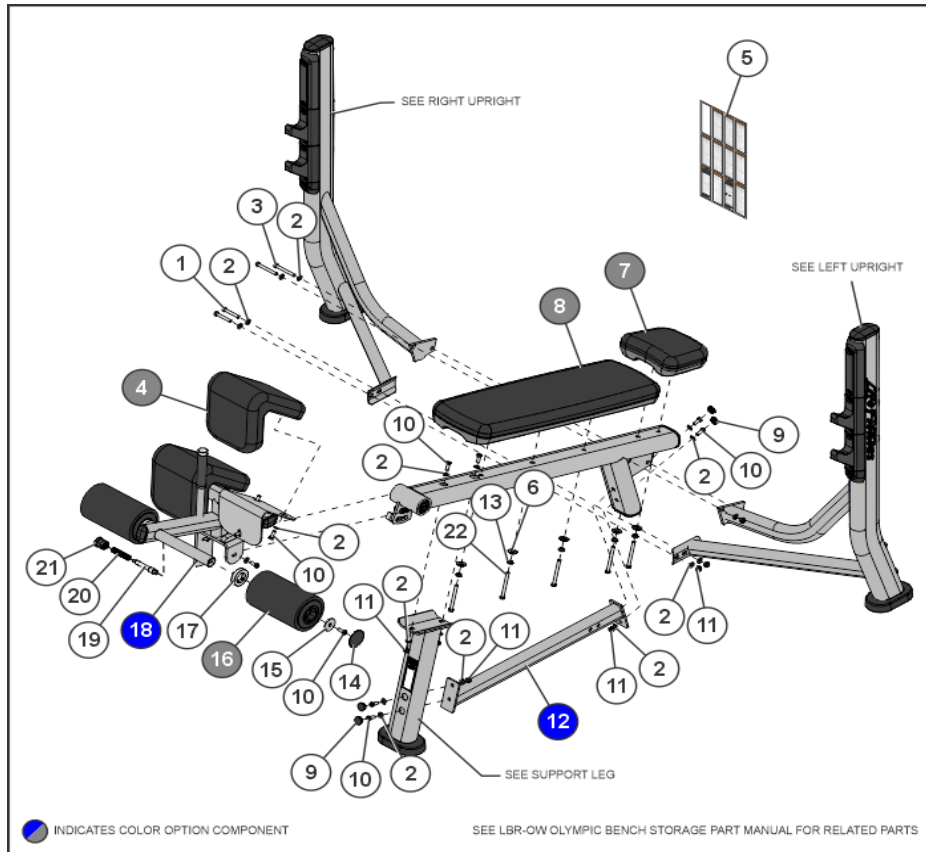
[Center Frame](#).....3
[Components](#).....4
[Hardware Bag](#).....6
[Left Upright](#).....7
[Leg Support](#).....8
[Right Upright](#).....9
[Support Leg](#).....10

Center Frame



Ref #	Part Number	Qty	Description
1	3261001	2	RING, RETAIN, INT, 50MM NOM
2	3235601	2	BEARING, 6205 BALL
3	1023953-0000	1	WELDMENT: LBR-OD, CENTER FRAME Custom
4	1022454-0001	2	ENDCAP: FLOV : INJ MOLDED
5	8160701	1	SHAFT, AB PRIMARY PIVOT
6	3256203	2	SCREW, M10 X 1.5 30MM ZN
7	3102514	4	WASHER, FLAT 3/8 IN SAE ST ZN
8	8177101	1	KIT, SODB, HARDWARE
9	3242002	2	NUT, M10 X 1.5 HEX NYLOCK

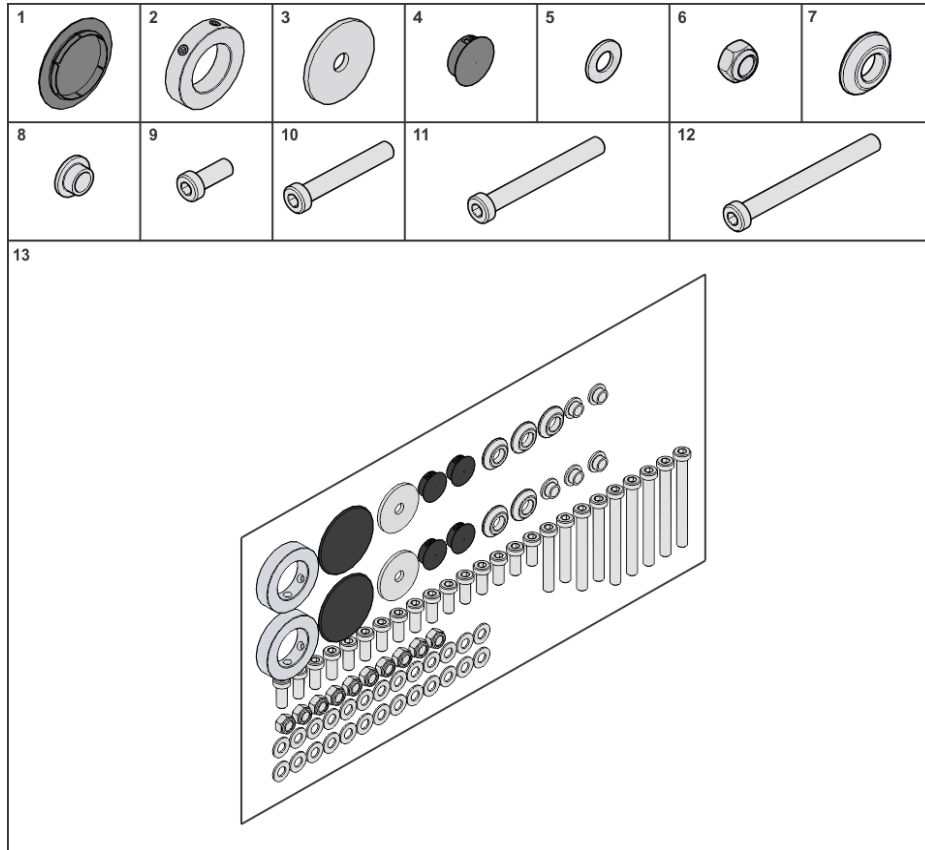
Components



Ref #	Part Number	Qty	Description
1	3256210	2	SCREW, M10 X 1.5 65MM ZN
2	3102514	26	WASHER, FLAT 3/8 IN SAE ST ZN
3	3256214	2	SCREW, M10 X 1.5 85MM ZN
4	1023530-0001	2	WLDMT, HDLHR, BASE, STD, RT White
4	1023530-0199	2	WLDMT, HDLPR/MR/HR, STORAGE, SA, BP -LT Custom
4	1023530-0101	2	WLDMT, HDLPR/MR/HR, STORAGE, SA, BP -LT White
4	1023530-0099	2	WLDMT, HDLHR, BASE, STD, RT Custom
5	8137801	1	LABEL, ASTM, OLY VERT-SHEET
6	1012186-0001	5	SPACER: 1-1/4 OD X 1/4
7	1023447-0101	1	PAD: HEAD REST, FLAT, CUS, DOUBLE-STITCH Black
7	1023447-0199	1	PAD: HEAD REST, FLAT, CUS, DOUBLE-STITCH Custom
7	1023447-0099	1	PAD: HEAD REST, FLAT, CUS, SINGLE-STITCH Custom
7	1023447-0001	1	PAD: HEAD REST, FLAT, CUS, SINGLE-STITCH Black
8	1023388-0099	1	PAD: 36 X 11, FLAT, CUS, SINGLE-STITCH Custom
8	1023388-0001	1	PAD: 36 X 11, FLAT, CUS, SINGLE-STITCH Black
8	1023388-0101	1	PAD: 36 X 11, FLAT, CUS, DOUBLE-STITCH Black
8	1023388-0199	1	PAD: 36 X 11, FLAT, CUS, DOUBLE-STITCH Custom
9	3237407	4	PLUG, 1 IN HOLE
10	3256202	16	SCREW, M10 X 1.5 25MM ZN
11	3242002	10	NUT, M10 X 1.5 HEX NYLOCK
12	7901500	1	WLDMT, SODB, CENTER SUPPORT Custom
13	7630101	5	RETAINER, CM/MJ, PULLEY

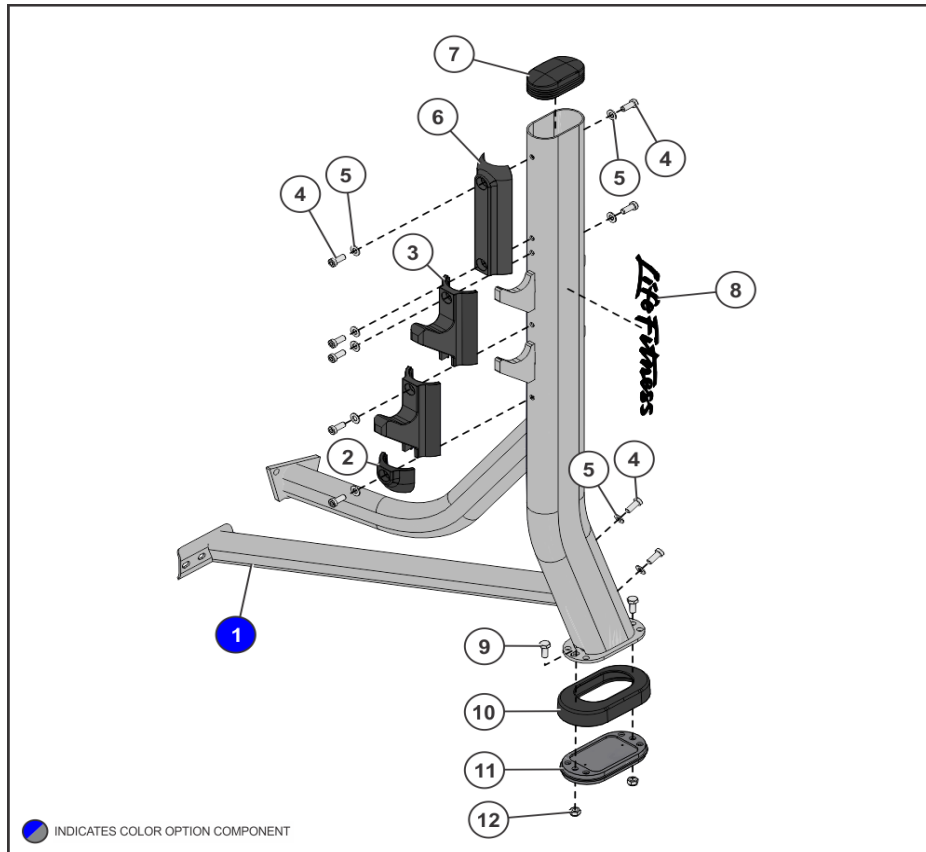
Ref #	Part Number	Qty	Description
14	7308702	2	CAP, BEARING HOUSING
15	7322301	2	PLATE, 1.97 OD X .447 ID 10GA
16	1000005-0001	2	ASSY, ROLLER PAD - SHORT BLACK
16	1000005-0099	2	ASSY, ROLLER PAD SHORT CUS, SNGL STITCH- Custom
16	1000005-0199	2	ASSY, ROLLER PAD SHORT, DBL STITCH- Custom
16	1000005-0101	2	ASSY, ROLLER PAD SHORT, DBL STITCH- BLACK
17	7357901	2	COLLAR, SHAFT 1.53 ID ALUM
18	1023924-0000	1	ASSEMBLY: LBR-OD, LEG SUPPORT Custom
19	7351301	1	PIN, PULL X 4.375
20	7351501	1	SPRING; PULL PIN LARGE
21	9454703	1	KNOB, ADJ
22	3236217	5	M10 X 1.5 X 100 SHCS, LOW HEAD

Hardware Bag



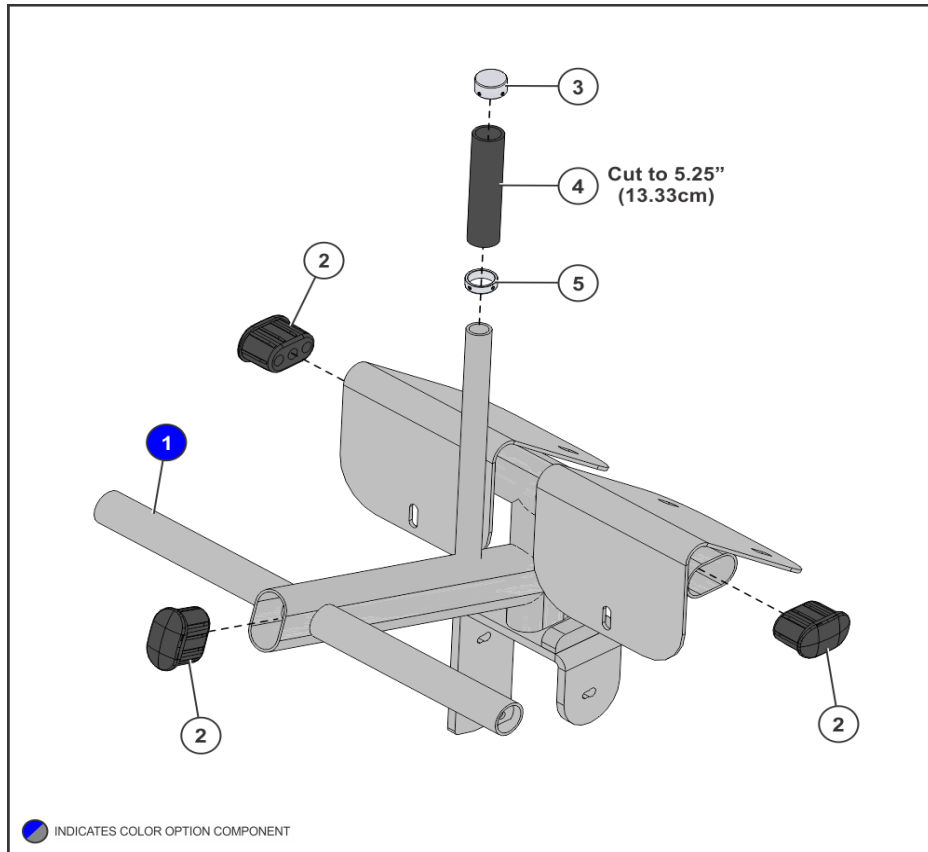
Ref #	Part Number	Qty	Description
1	7308702	2	CAP, BEARING HOUSING
2	7357901	2	COLLAR, SHAFT 1.53 ID ALUM
3	7322301	2	PLATE, 1.97 OD X .447 ID 10GA
4	3237407	4	PLUG, 1 IN HOLE
5	3102514	26	WASHER, FLAT 3/8 IN SAE ST ZN
6	3242002	10	NUT, M10 X 1.5 HEX NYLOCK
7	1012186-0001	5	SPACER: 1-1/4 OD X 1/4
8	7630101	5	RETAINER, CM/MJ, PULLEY
9	3256202	16	SCREW, M10 X 1.5 25MM ZN
10	3256210	2	SCREW, M10 X 1.5 65MM ZN
11	3256214	2	SCREW, M10 X 1.5 85MM ZN
12	3236217	5	M10 X 1.5 X 100 SHCS, LOW HEAD
13	1023987-0001	1	ASSEMBLY: HARDWARE BAG, LBR-OD

Left Upright



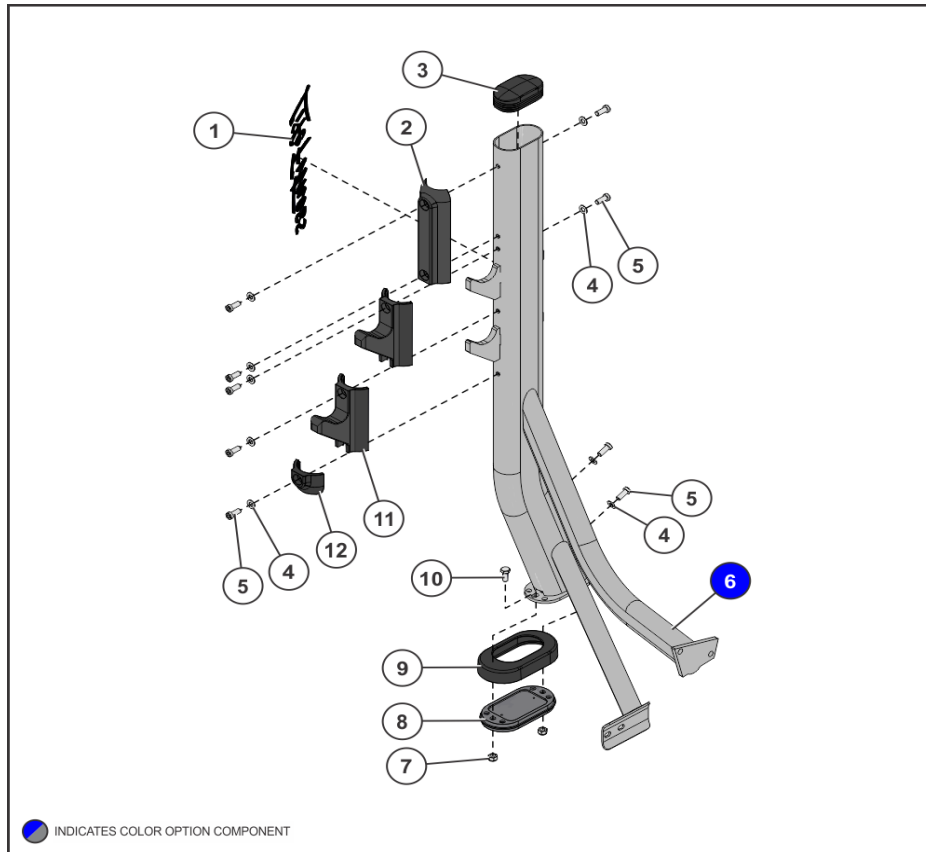
Ref #	Part Number	Qty	Description
1	7897100	1	WLDMT, SODB, UPRIGHT LEFT Custom
2	8077502	1	GUARD, BAR CATCH, LOWER - CHR
3	7804502	2	HOOK, BAR CATCH - CHR
4	3256202	9	SCREW, M10 X 1.5 25MM ZN
5	3102514	9	WASHER, FLAT 3/8 IN SAE ST ZN
6	7804602	1	GUARD, BAR CATCH - CHR
7	1022454-0001	1	ENDCAP: FLOV : INJ MOLDED
8	7348001	1	LABEL, LIFE FIT 2-1/2 X 15 BLK
9	3251202	2	M10 X 1.5 X 25MM UNS HEX CS ST ZN
10	7340202	1	COVER, FOOT, STRAIGHT -BLK
11	LEA7763001	1	FOOT: 2.50 X 4.49
12	3242002	2	NUT, M10 X 1.5 HEX NYLOCK

Leg Support



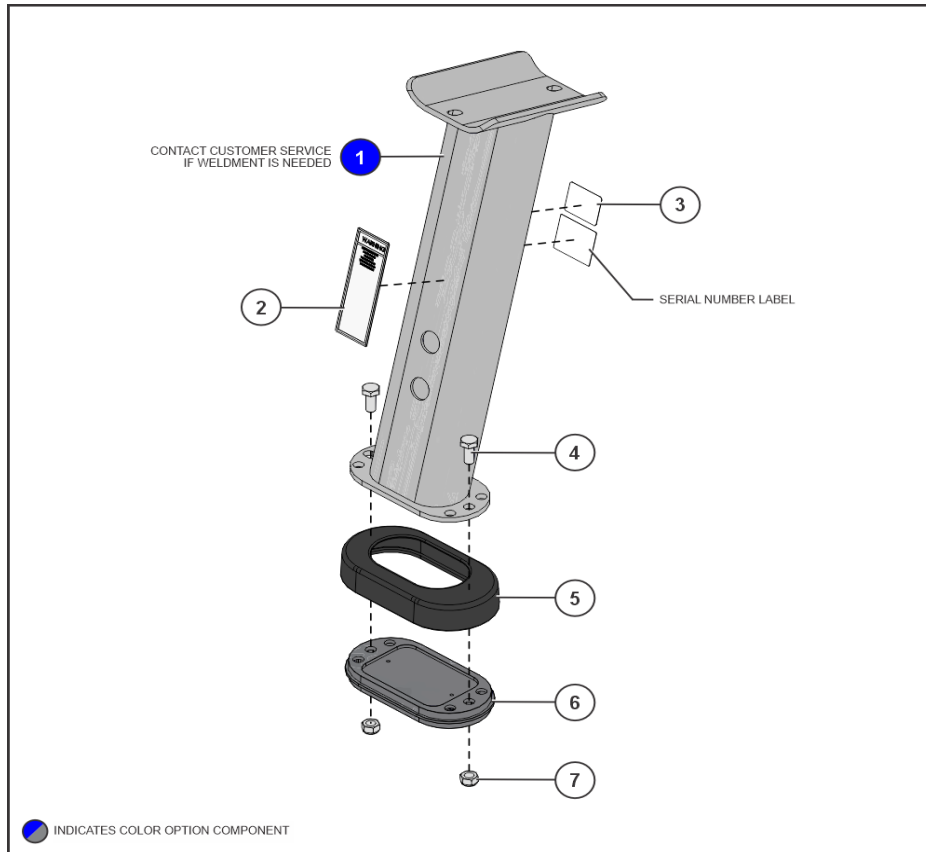
Ref #	Part Number	Qty	Description
1	7896500	1	WLDMT, SODB, LEG SUPPORT Custom
2	7800502	3	CAP, SML FLOV END -CHR
3	7662901	1	CAP; GRIP 1.25 OD
4	3235806	1	GRIP, 1.25 OD X .125 WALL OPEN END
5	7662801	1	RING, GRIP 1.25 OD

Right Upright



Ref #	Part Number	Qty	Description
1	7348001	1	LABEL, LIFE FIT 2-1/2 X 15 BLK
2	7804602	1	GUARD, BAR CATCH - CHR
3	1022454-0001	1	ENDCAP: FLOV : INJ MOLDED
4	3102514	9	WASHER, FLAT 3/8 IN SAE ST ZN
5	3256202	9	SCREW, M10 X 1.5 25MM ZN
6	7897400	1	WLDMT, SODB, UPRIGHT RIGHT Custom
7	3242002	2	NUT, M10 X 1.5 HEX NYLOCK
8	LEA7763001	1	FOOT: 2.50 X 4.49
9	7340202	1	COVER, FOOT, STRAIGHT -BLK
10	3251202	2	M10 X 1.5 X 25MM UNS HEX CS ST ZN
11	7804502	2	HOOK, BAR CATCH - CHR
12	8077502	1	GUARD, BAR CATCH, LOWER - CHR

Support Leg



Ref #	Part Number	Qty	Description
1	7897500	1	WLDMT, SODB, SUPPORT LEG Custom
2	8137801	1	LABEL, ASTM, OLY VERT-SHEET
3	9488901	1	LABEL, INSIGNIA, FCC
4	3251202	2	M10 X 1.5 X 25MM UNS HEX CS ST ZN
5	7340202	1	COVER, FOOT, STRAIGHT -BLK
6	LEA7763001	1	FOOT: 2.50 X 4.49
7	3242002	2	NUT, M10 X 1.5 HEX NYLOCK

