

# Life Fitness Leg Raise

LBR-LR

## Parts Manual

6/18/2024 21:51:13 PM

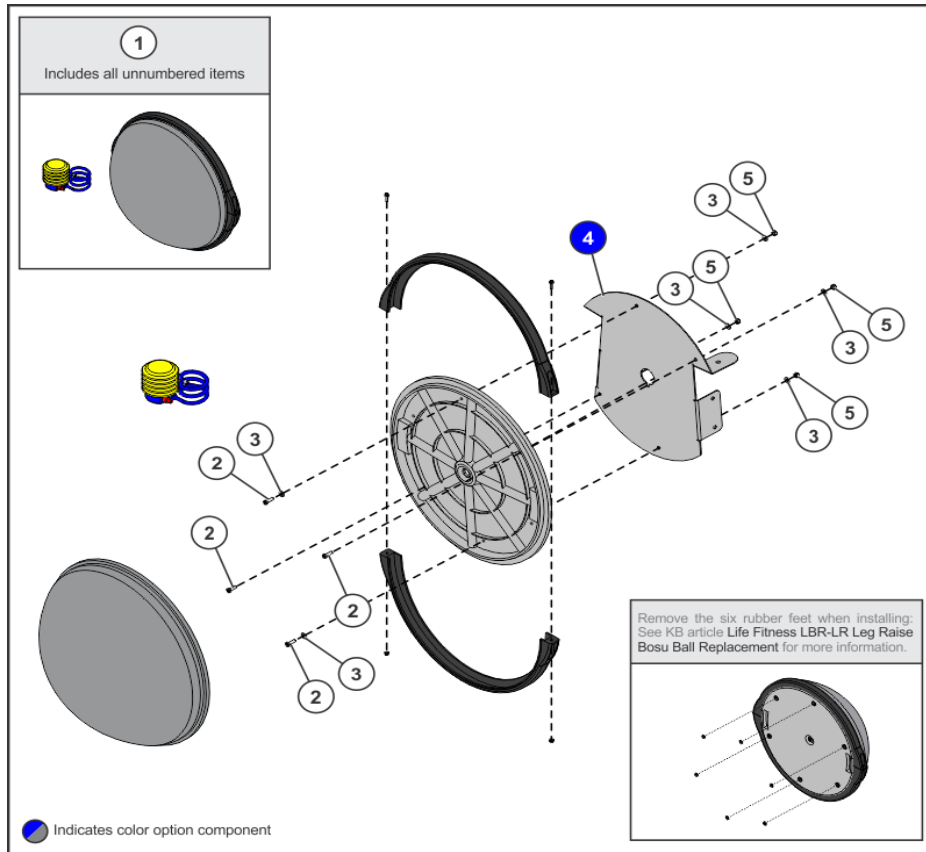


**Table of Contents**

---

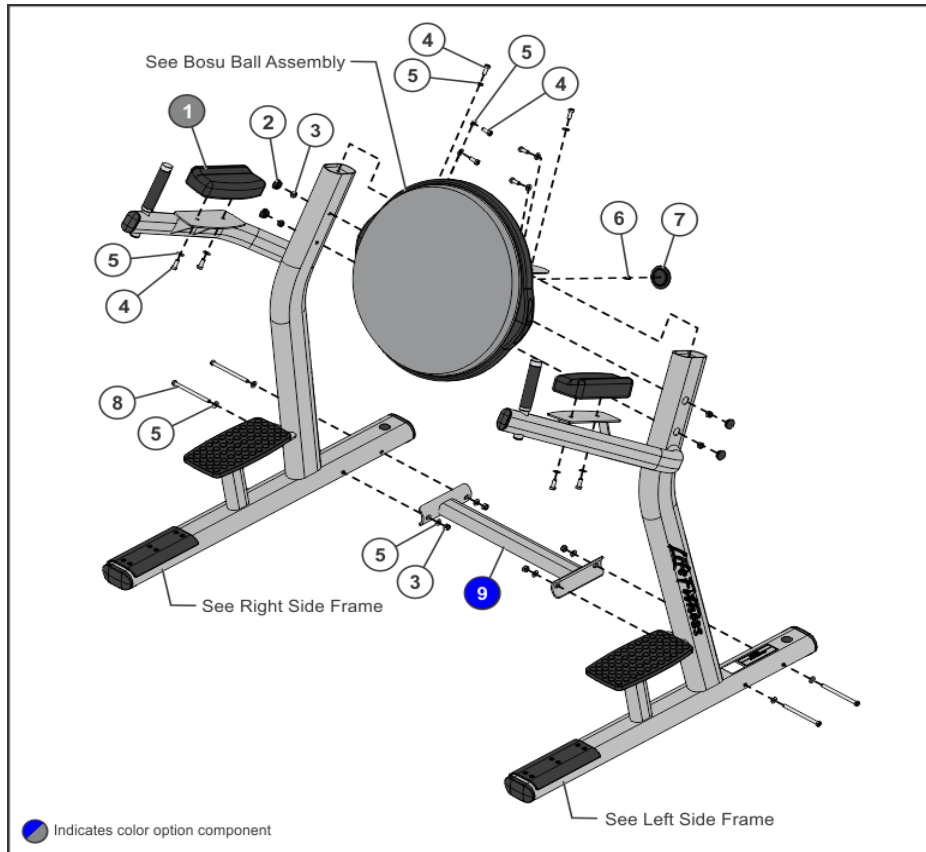
[Bosu Ball Assembly](#).....3  
[Components](#).....4  
[Hardware Bag](#).....5  
[Left Side Frame](#).....6  
[Right Side Frame](#).....7

# Bosu Ball Assembly



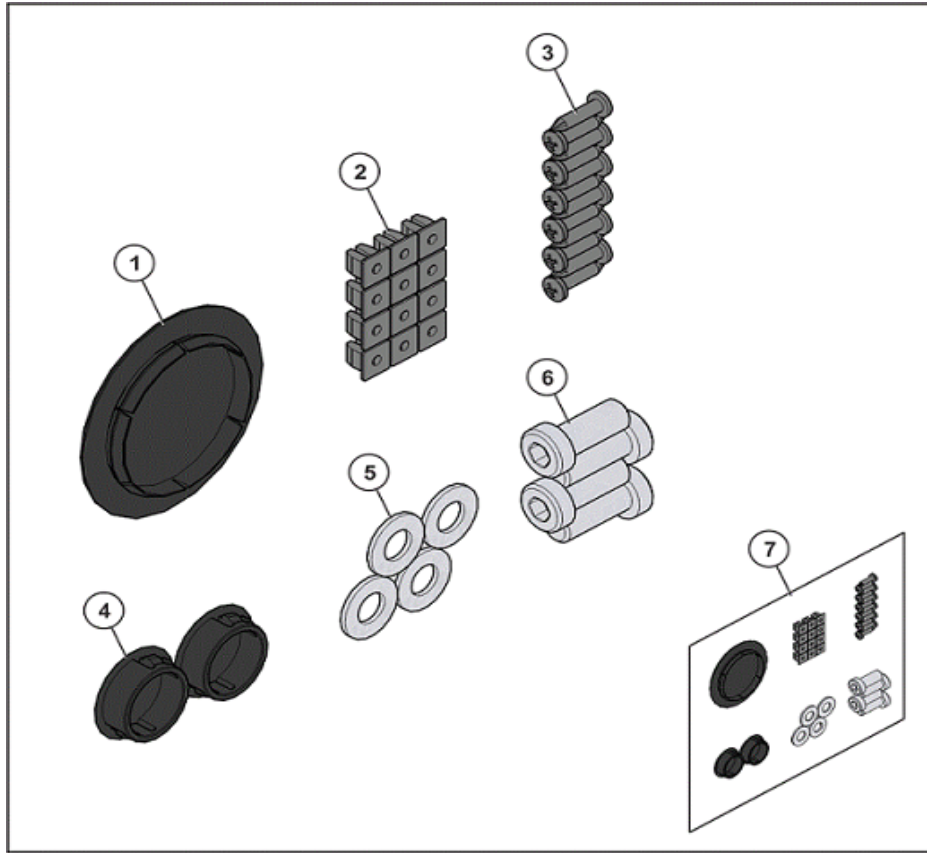
Ref #	Part Number	Qty	Description
1	1023645-0001	1	BOSU BALANCE TRAINER AND PUMP
2	3255802	4	M8 X 1.25 X 25 HXS SOC CS ST ZN
3	3102509	6	WASHER, FLAT 5/16 ID SAE ZN
4	7971000	1	PLATE, SLR, SUPPORT Custom
5	3242004	4	NUT, M8 X 1.25 HEX NYLOCK

### Components



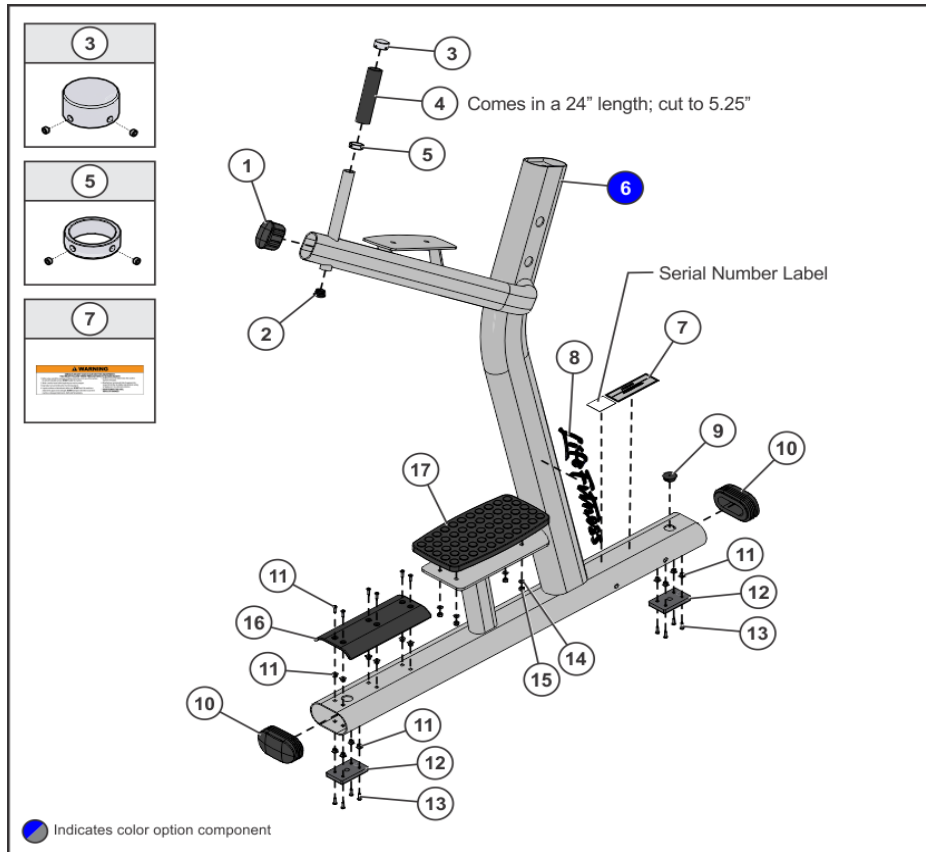
Ref #	Part Number	Qty	Description
1	1019854-0099	2	PAD: ARM REST - SINGLE STITCH, CUS Custom
1	1019854-0001	2	PAD: ARM REST - SINGLE STITCH, CUS Black
2	3237407	4	PLUG, 1 IN HOLE
3	3236801	8	NUT, NYLOCK M10 X 1.5 SS
4	3236202	10	M10 X 1.5 X 25 SHCS, LOW HEAD
5	3236601	18	WASHER, 3/8 SAE STAINLESS STEEL
6	8274601	1	PLUG, PLASTIC, BOSU BALL, 10853R
7	7308702	1	CAP, BEARING HOUSING
8	3236223	4	SCREW, M10 X1.5 135MM
9	7970700	1	WELDMENT: BOTTOM BRACE Custom

**Hardware Bag**



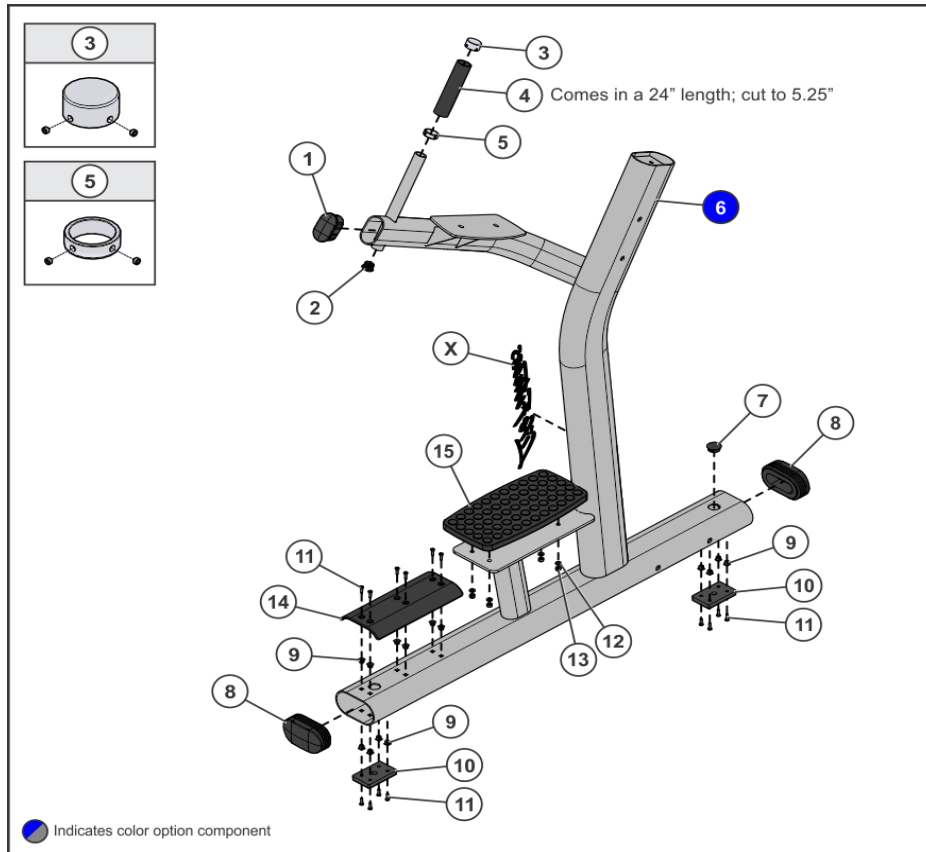
Ref #	Part Number	Qty	Description
1	7308702	1	CAP, BEARING HOUSING
2	0017-00042-1147	12	GROMMET: SCREW, 8 OR 10
3	3275801	12	SCREW, 8 X 3/4 DIN PHL PAN AB ST ZB
4	3237407	2	PLUG, 1 IN HOLE
5	3236601	4	WASHER, 3/8 SAE STAINLESS STEEL
6	3236202	4	M10 X 1.5 X 25 SHCS, LOW HEAD
7	1023646-0001	1	ASSEMBLY: HARDWARE BAG

### Left Side Frame



Ref #	Part Number	Qty	Description
1	7800502	1	CAP, SML FLOV END -CHR
2	3119304	1	CAP, END 1 DIA RD 10-12GA
3	7662901	1	CAP; GRIP 1.25 OD
4	3235806	1	GRIP, 1.25 OD X .125 WALL OPEN END
5	7662801	1	RING, GRIP 1.25 OD
6	1023638-0000	1	WELDMENT: LEFT FRAME Custom
7	8137701	1	LABEL, ASTM, OLY HORZ-SHEET
8	7348001	1	LABEL, LIFE FIT 2-1/2 X 15 BLK
9	3237407	1	PLUG, 1 IN HOLE
10	1022454-0001	2	ENDCAP: FLOV : INJ MOLDED
11	0017-00042-1147	14	GROMMET: SCREW, 8 OR 10
12	7810811	2	PAD, RUBBER FOOT -CHR
13	3275801	14	SCREW, 8 X 3/4 DIN PHL PAN AB ST ZB
14	3241801	4	WASHER, FLAT 6MM SS
15	3236802	4	NUT, M6 X 1 HEX NYLOCK SS
16	7821704	1	GUARD, LONG PAINT - CHR
17	7640302	1	FOOT PAD, CM/MJ OVERMOLD

### Right Side Frame



Ref #	Part Number	Qty	Description
1	7800502	1	CAP, SML FLOV END -CHR
2	3119304	1	CAP, END 1 DIA RD 10-12GA
3	7662901	1	CAP; GRIP 1.25 OD
4	3235806	1	GRIP, 1.25 OD X .125 WALL OPEN END
5	7662801	1	RING, GRIP 1.25 OD
6	1023637-0000	1	WELDMNT: RIGHT FRAME Custom
7	3237407	1	PLUG, 1 IN HOLE
8	1022454-0001	2	ENDCAP: FLOV : INJ MOLDED
9	0017-00042-1147	14	GROMMET: SCREW, 8 OR 10
10	7810811	2	PAD, RUBBER FOOT -CHR
11	3275801	14	SCREW, 8 X 3/4 DIN PHL PAN AB ST ZB
12	3241801	4	WASHER, FLAT 6MM SS
13	3236802	4	NUT, M6 X 1 HEX NYLOCK SS
14	7821704	1	GUARD, LONG PAINT - CHR
15	7640302	1	FOOT PAD, CM/MJ OVERMOLD

