

Life Fitness Leg Raise/Dip

LBR-LD

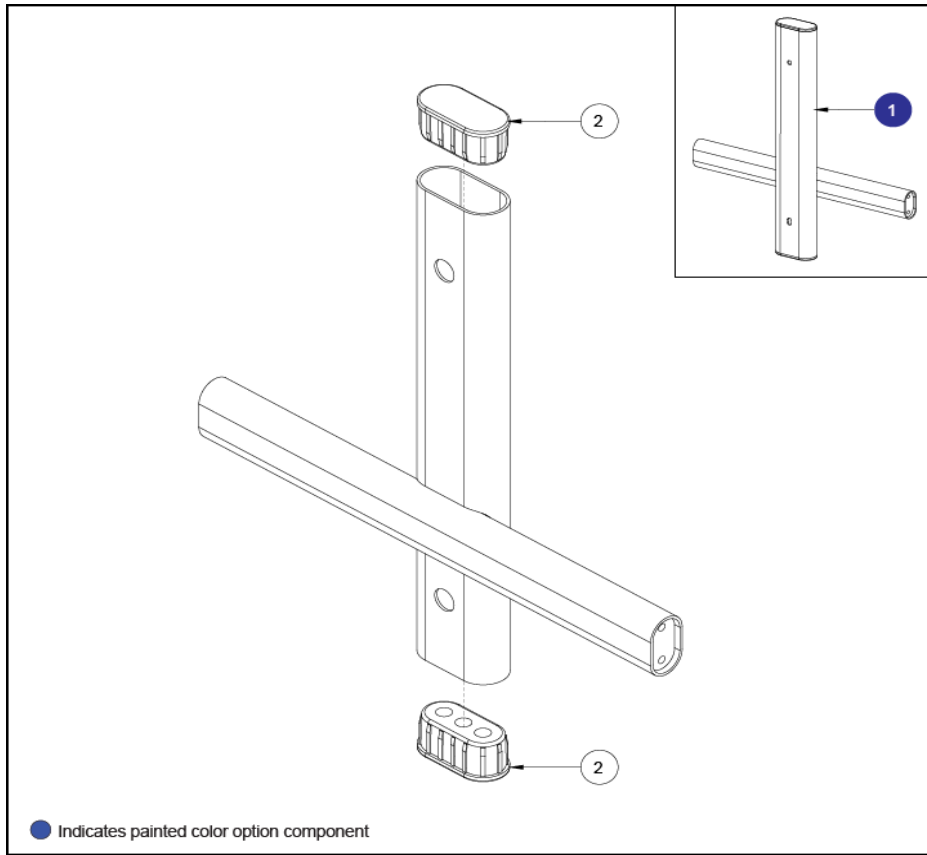
Parts Manual

2/7/2025 9:33:31 AM

Table of Contents

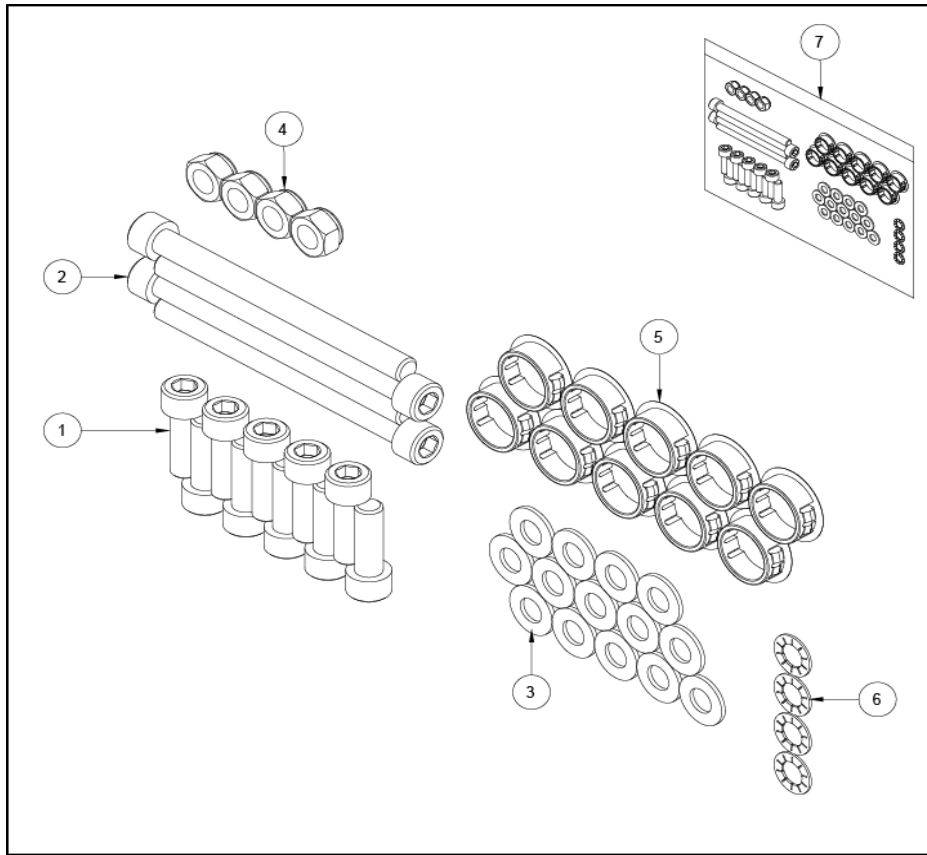
[LBR-LD Back Assembly.....](#)3
[LBR-LD Hardware Pack.....](#)4
[LBR-LD Left Upright Assembly.....](#)5
[LBR-LD Main Assembly.....](#)6
[LBR-LD Right Upright Assembly.....](#)7

LBR-LD Back Assembly



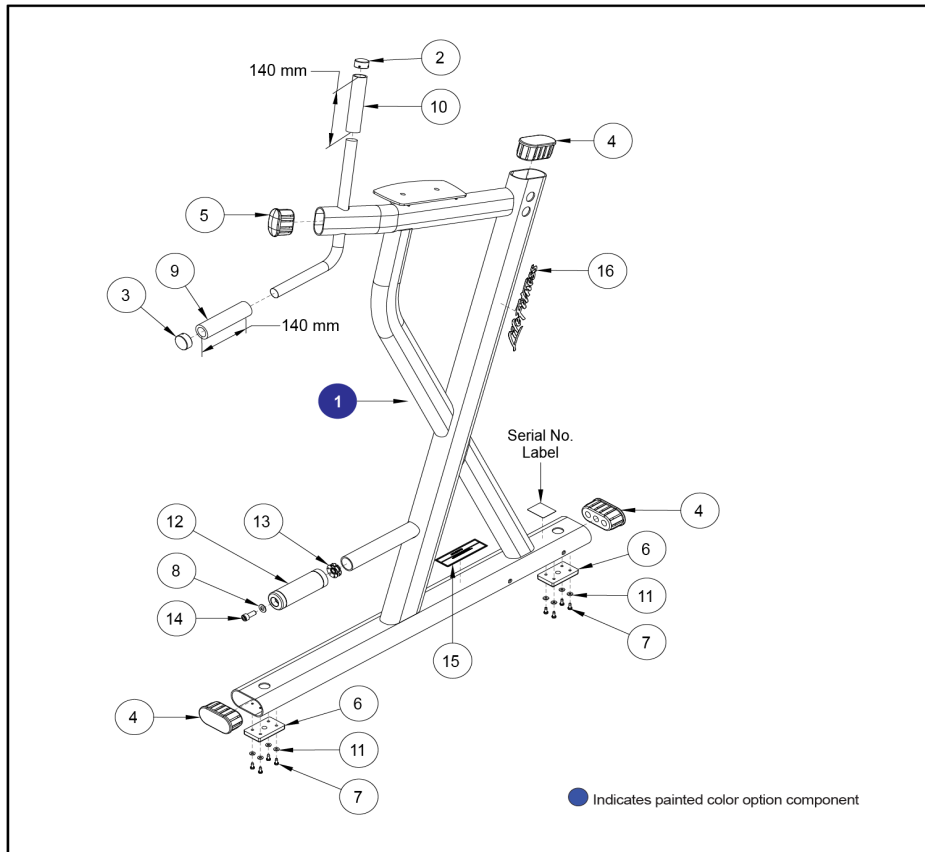
| Ref # | Part Number | Qty | Description |
|-------|--------------|-----|----------------------------|
| 1 | 1012189-0099 | 1 | ASSY: OP-DLR; BACK, Custom |
| 2 | 8012902 | 2 | CAP, MFLOV END -CHR |

LBR-LD Hardware Pack



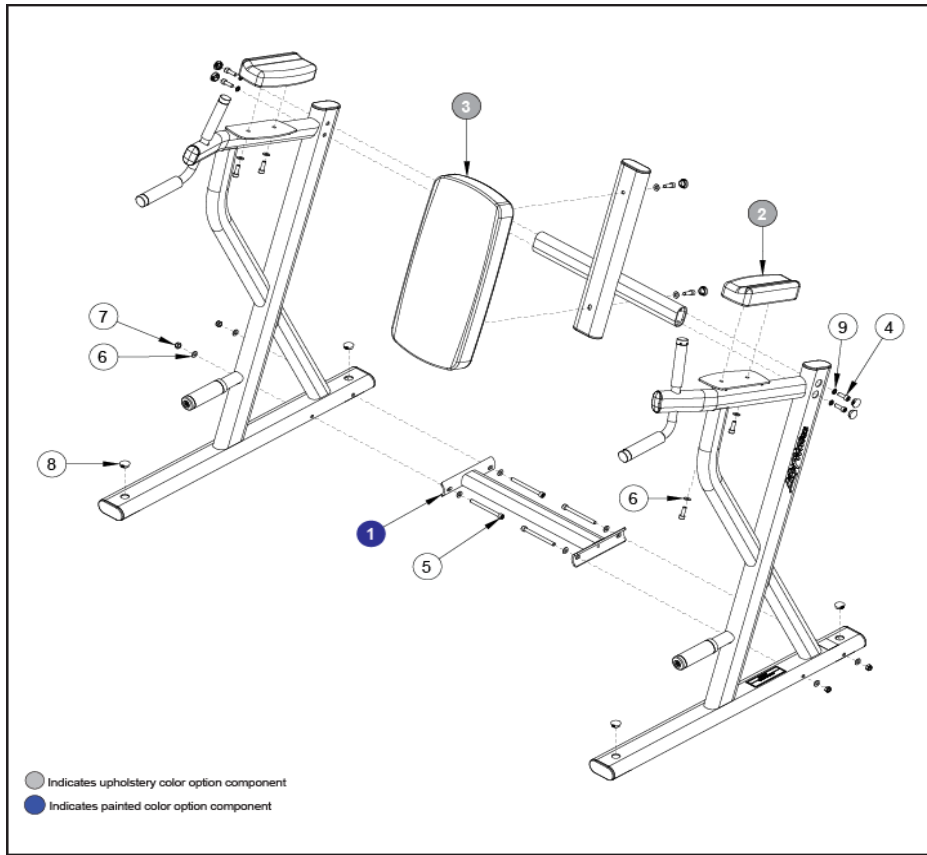
| Ref # | Part Number | Qty | Description |
|-------|-------------|-----|----------------------------------|
| 1 | 3251703 | 10 | M10 X 1.5 30 HXS SOC CS ST ZN |
| 2 | 3251719 | 4 | M10 X 1.5 X 120 HXS SOC CS ST ZN |
| 3 | 3102514 | 14 | WASHER, FLAT 3/8 IN SAE ST ZN |
| 4 | 3242002 | 4 | NUT, M10 X 1.5 HEX NYLOCK |
| 5 | 3237407 | 10 | PLUG, 1 IN HOLE |
| 6 | 3239503 | 4 | WSH, 391-.682-036 IN-D ST ZN |
| 7 | OP-DLR-HDWR | 1 | ASSY: OP-DLR; HARDWARE BAG |

LBR-LD Left Upright Assembly



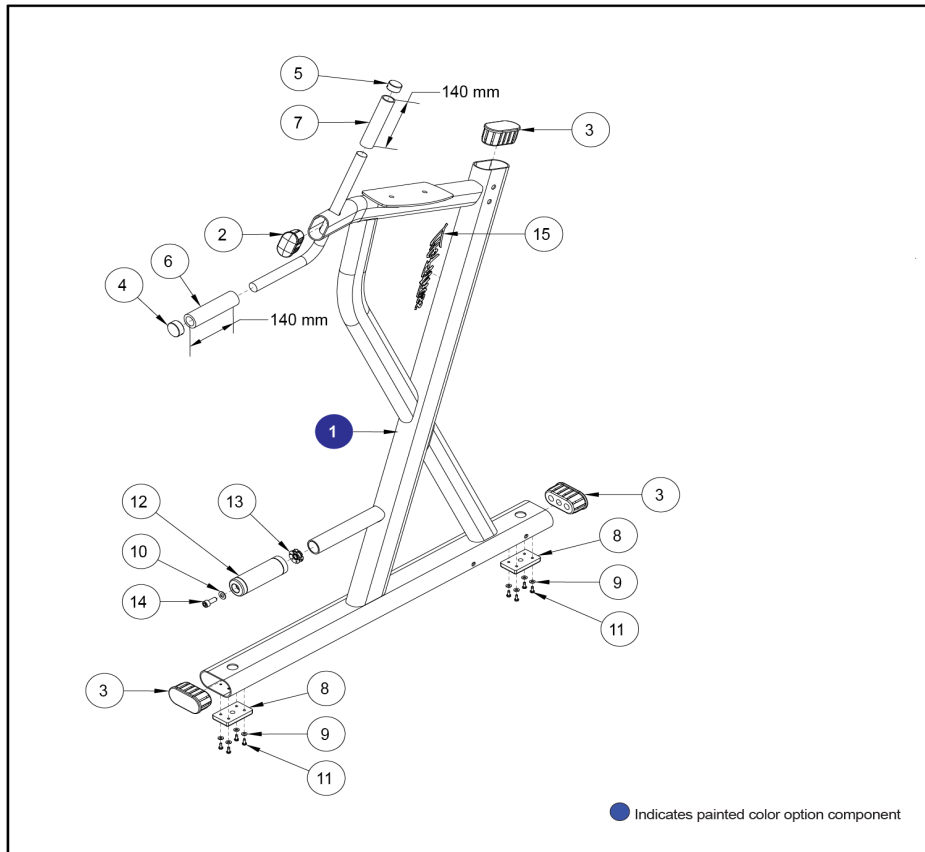
| Ref # | Part Number | Qty | Description |
|-------|--------------|-----|--|
| 1 | 1012038-0000 | 1 | WLDMT: OP-DLR; LEFT UPRIGHT |
| 2 | 7662901 | 1 | CAP; GRIP 1.25 OD |
| 3 | 7662902 | 1 | CAP, GRIP 1.50 OD, 10-0133-026, BNR |
| 4 | 8012902 | 3 | CAP, MFLOV END -CHR |
| 5 | 7800502 | 1 | CAP, SML FLOV END -CHR |
| 6 | 7810811 | 2 | PAD, RUBBER FOOT -CHR |
| 7 | 3270602 | 8 | SCREW, #10-32 X .50 TRX PAN ST BZ |
| 8 | 3102514 | 1 | WASHER, FLAT 3/8 IN SAE ST ZN |
| 9 | 3235807 | 1 | GRIP, 1.50 OD X .25 WALL OPEN END |
| 10 | 3235806 | 1 | GRIP, 1.25 OD X .125 WALL OPEN END |
| 11 | 3114407 | 8 | WASHER, FLAT #10 SAE ST BZ |
| 12 | 7800102 | 1 | GRIP, 1.50 ID FOOT |
| 13 | 7347301 | 1 | NUT, SPIDER M10 X 1.5 |
| 14 | LEA3251702 | 1 | SCREW; M10 X1.5 25MM |
| 15 | 8137701 | 1 | LABEL, ASTM, OLY HORZ-SHEET |
| 16 | 7865201 | 1 | LABEL, LIFE FITNESS LOGO, 10-0099-062, BNR |

LBR-LD Main Assembly



| Ref # | Part Number | Qty | Description |
|-------|--------------|-----|---|
| 1 | 1012000-0099 | 1 | WLDMT: OP-DLR; FOOT BRACE, Custom |
| 2 | 1019854-0199 | 2 | PAD: ARM REST - DOUBLE STITCH, CUS |
| 2 | 1019854-0099 | 2 | PAD: ARM REST - SINGLE STITCH, CUS Custom |
| 3 | 1013393-0199 | 1 | PAD: BACK, FLAT - DOUBLE STITCH- Custom |
| 3 | 1013393-0099 | 1 | PAD: BACK, FLAT - SINGLE STITCH- Custom |
| 4 | 3251703 | 10 | M10 X 1.5 30 HXS SOC CS ST ZN |
| 5 | 3251719 | 4 | M10 X 1.5 X 120 HXS SOC CS ST ZN |
| 6 | 3102514 | 14 | WASHER, FLAT 3/8 IN SAE ST ZN |
| 7 | 3242002 | 4 | NUT, M10 X 1.5 HEX NYLOCK |
| 8 | 3237407 | 10 | PLUG, 1 IN HOLE |
| 9 | 3239503 | 4 | WSH, 391-.682-036 IN-D ST ZN |

LBR-LD Right Upright Assembly



| Ref # | Part Number | Qty | Description |
|-------|--------------|-----|--|
| 1 | 1012039-0000 | 1 | WLDMT: OP-DLR; RIGHT UPRIGHT |
| 2 | 7800502 | 1 | CAP, SML FLOV END -CHR |
| 3 | 8012902 | 3 | CAP, MFLOV END -CHR |
| 4 | 7662902 | 1 | CAP, GRIP 1.50 OD, 10-0133-026, BNR |
| 5 | 7662901 | 1 | CAP; GRIP 1.25 OD |
| 6 | 3235807 | 1 | GRIP, 1.50 OD X .25 WALL OPEN END |
| 7 | 3235806 | 1 | GRIP, 1.25 OD X .125 WALL OPEN END |
| 8 | 7810811 | 2 | PAD, RUBBER FOOT -CHR |
| 9 | 3102510 | 8 | WASHER, FLAT, #10 SAE ST ZN |
| 10 | 3102514 | 1 | WASHER, FLAT 3/8 IN SAE ST ZN |
| 11 | 3270602 | 8 | SCREW, #10-32 X .50 TRX PAN ST BZ |
| 12 | 7800102 | 1 | GRIP, 1.50 ID FOOT |
| 13 | 7347301 | 1 | NUT, SPIDER M10 X 1.5 |
| 14 | LEA3251702 | 1 | SCREW; M10 X1.5 25MM |
| 15 | 7865201 | 1 | LABEL, LIFE FITNESS LOGO, 10-0099-062, BNR |

