

# LF B&R LEG RAISE/DIP/CHIN

LBR-LC

## Parts Manual

1/3/2025 8:53:49 AM

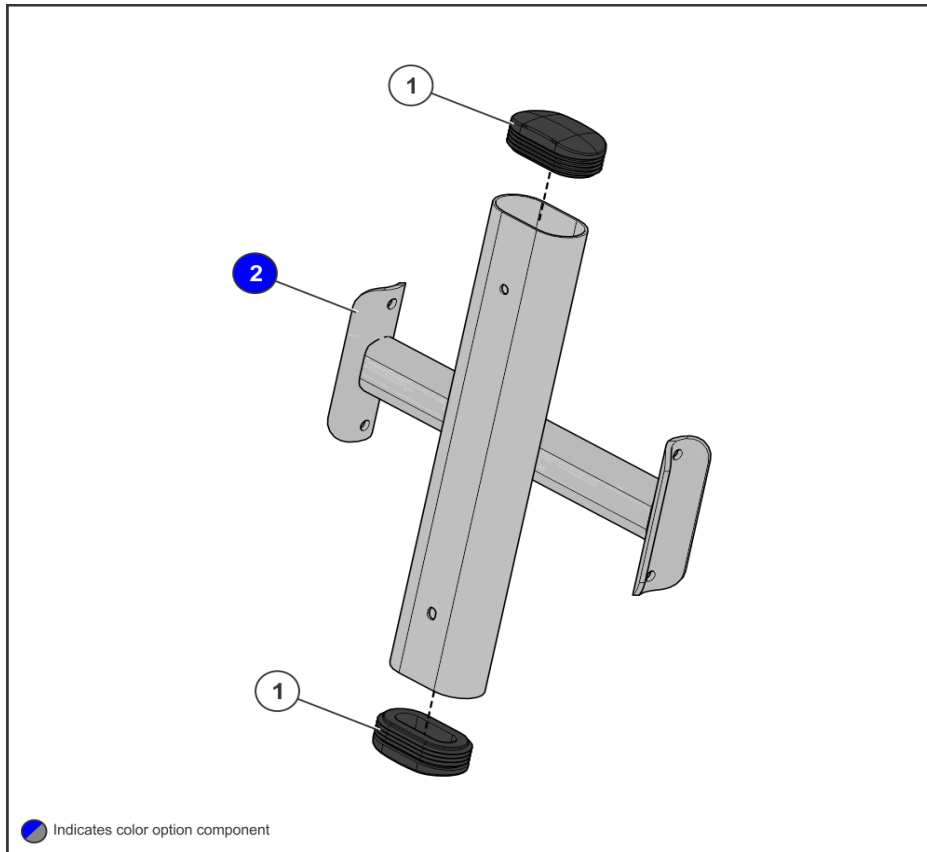


**Table of Contents**

---

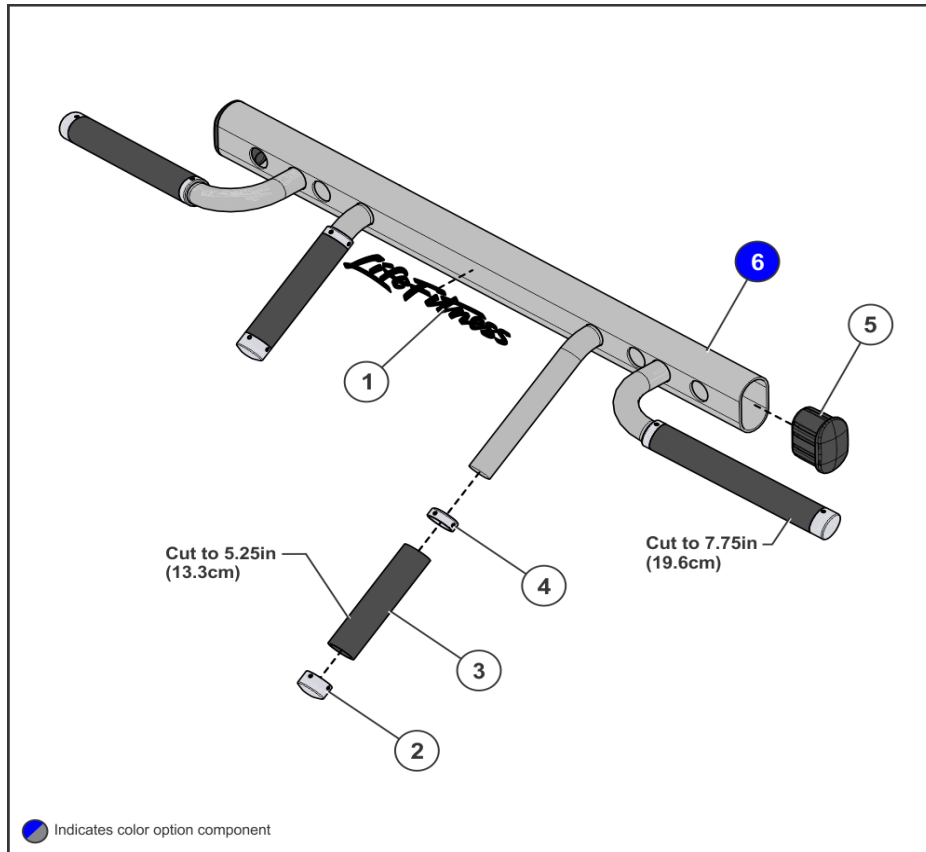
[Back Support](#).....3  
[Chin Support](#).....4  
[Components](#).....5  
[Foot Brace](#).....6  
[Hardware Kit](#).....7  
[Left Upright](#).....8  
[Right Upright](#).....9

# Back Support



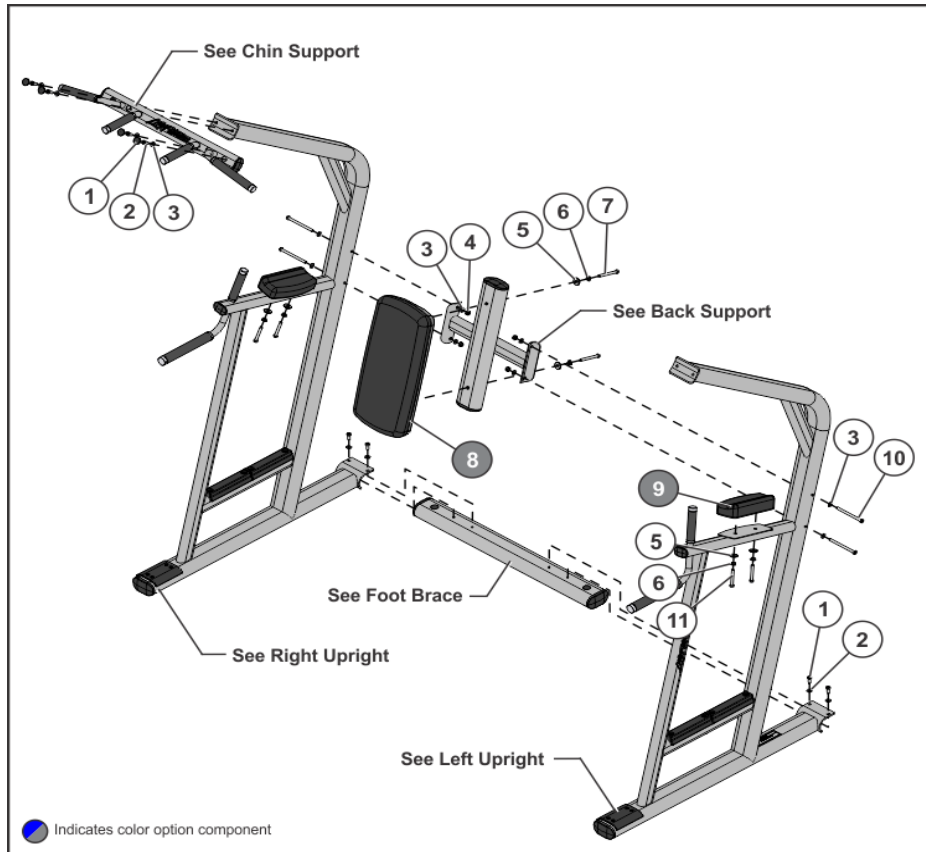
Ref #	Part Number	Qty	Description
1	1022454-0001	2	ENDCAP: FLOV : INJ MOLDED
2	1023957-0000	1	WELDMNT: BACK SUPPORT Custom

# Chin Support



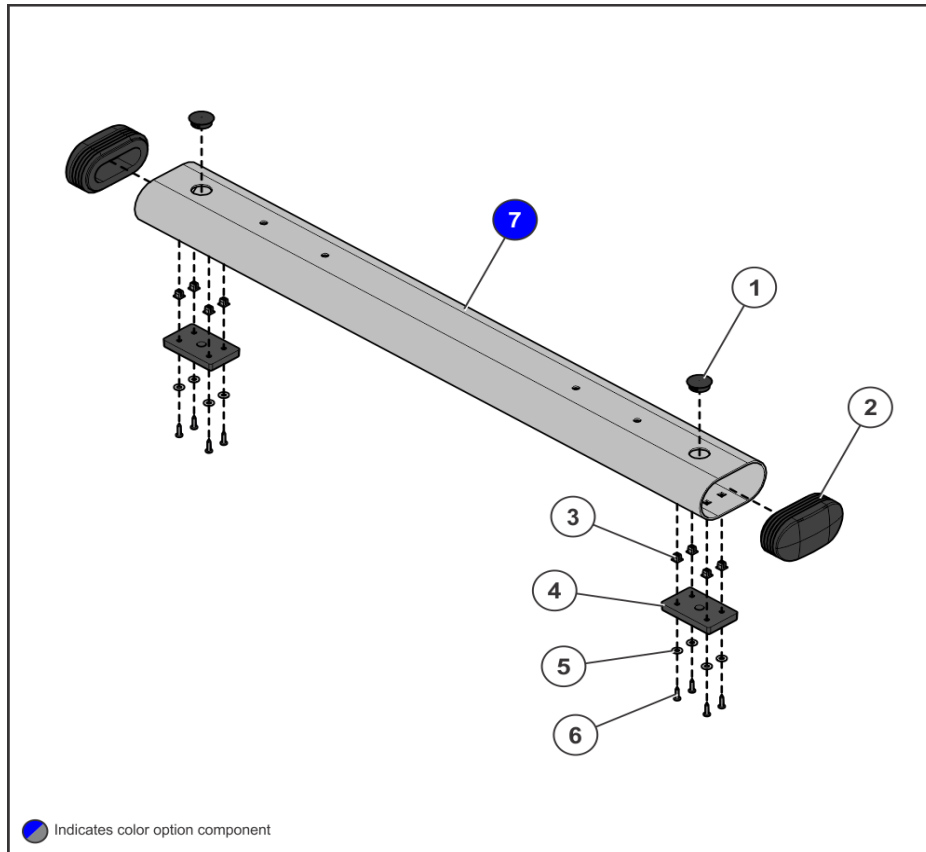
Ref #	Part Number	Qty	Description
1	7865201	1	LABEL, LIFE FITNESS LOGO, 10-0099-062, BNR
2	7662901	4	CAP; GRIP 1.25 OD
3	3235806	4	GRIP, 1.25 OD X .125 WALL OPEN END
4	7662801	4	RING, GRIP 1.25 OD
5	7800502	2	CAP, SML FLOV END -CHR
6	1023783-0000	1	WELDMENT: CHIN SUPPORT Custom

### Components



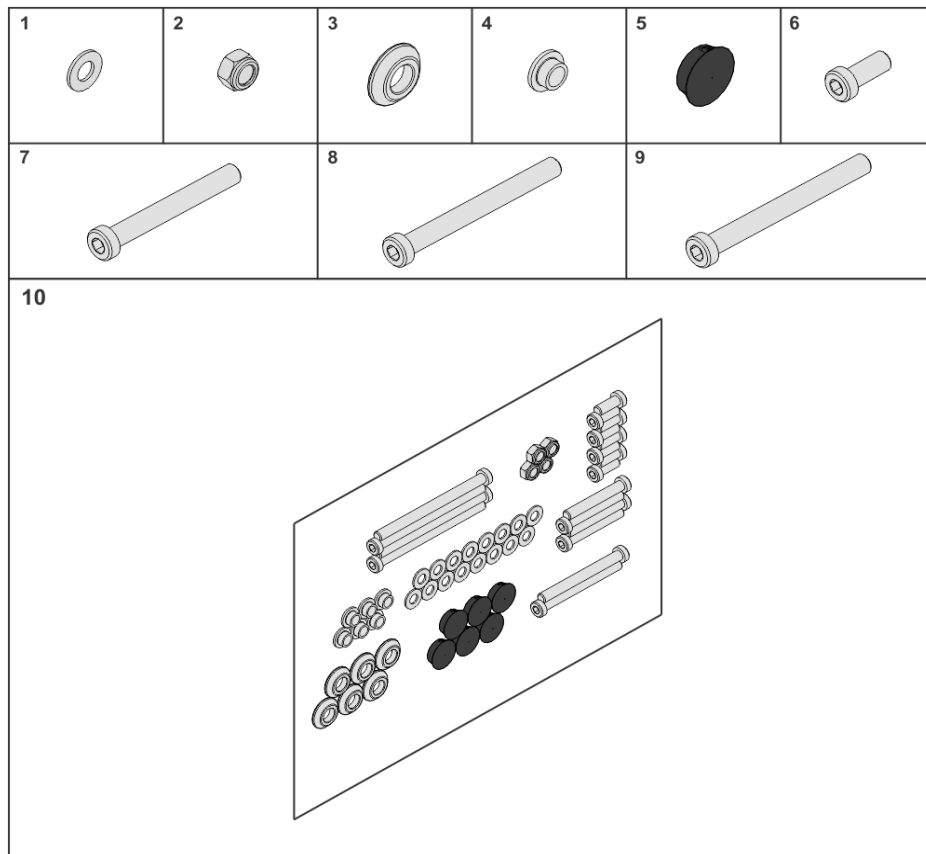
Ref #	Part Number	Qty	Description
1	3237407	4	PLUG, 1 IN HOLE
2	3256202	8	SCREW, M10 X 1.5 25MM ZN
3	3236601	12	WASHER, 3/8 SAE STAINLESS STEEL
4	3236801	4	NUT, NYLOCK M10 X 1.5 SS
5	1012186-0001	6	SPACER: 1-1/4 OD X 1/4
6	7630101	6	RETAINER, CM/MJ, PULLEY
7	3236217	2	M10 X 1.5 X 100 SHCS, LOW HEAD
8	1000014-0001	1	PAD, 24 X 11 FLAT CUS, SNGL STITCH- BLACK
8	1000014-0099	1	PAD, 24 X 11 FLAT CUS, SNGL STITCH- Custom
8	1000014-0101	1	PAD, 24 X 11 FLAT CUS, DBL STITCH-- BLACK
8	1000014-0199	1	PAD, 24 X 11 FLAT CUS, DBL STITCH-- Custom
9	1019854-0001	2	PAD: ARM REST - SINGLE STITCH, CUS Black
9	1019854-0199	2	PAD: ARM REST - DOUBLE STITCH, CUS
9	1019854-0099	2	PAD: ARM REST - SINGLE STITCH, CUS Custom
9	1019854-0101	2	PAD: ARM REST - DOUBLE STITCH, BLK
10	3236223	4	SCREW, M10 X1.5 135MM
11	3256211	4	SCREW, M10 X 1.5 70MM ZN

# Foot Brace



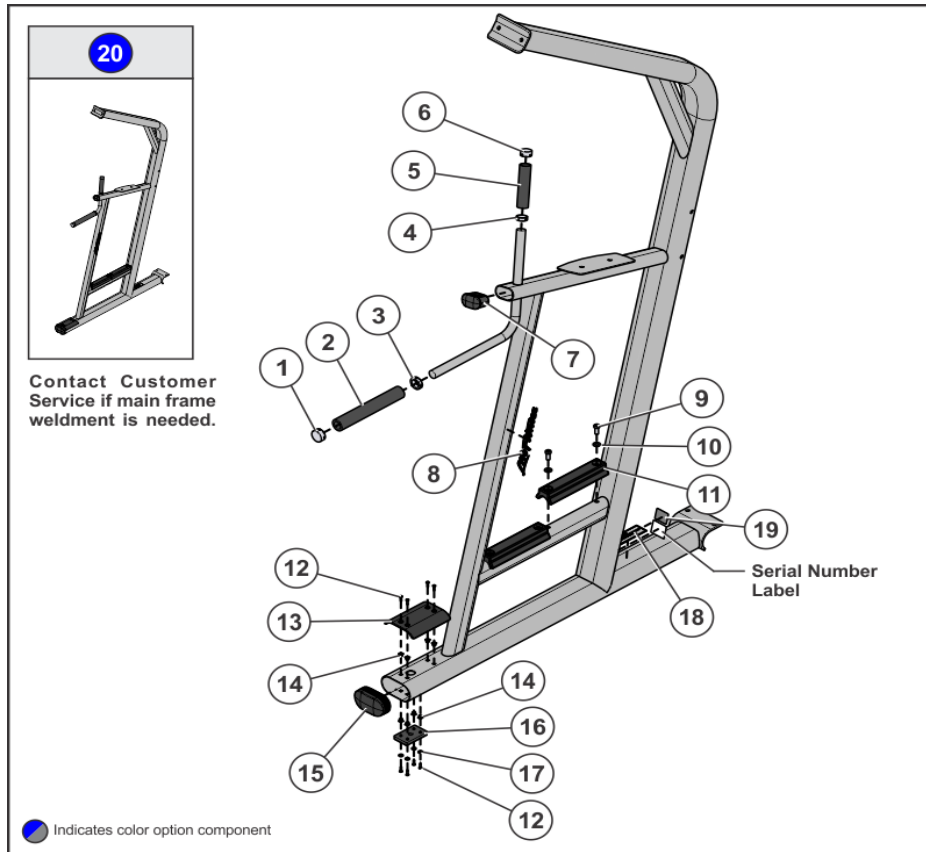
Ref #	Part Number	Qty	Description
1	3237407	2	PLUG, 1 IN HOLE
2	1022454-0001	2	ENDCAP: FLOV : INJ MOLDED
3	0017-00042-1147	8	GROMMET: SCREW, 8 OR 10
4	7810811	2	PAD, RUBBER FOOT -CHR
5	3114407	8	WASHER, FLAT #10 SAE ST BZ
6	3275801	8	SCREW, 8 X 3/4 DIN PHL PAN AB ST ZB
7	1023773-0000	1	TUBE: 2.50 X 4.49 FLOV Custom

## Hardware Kit



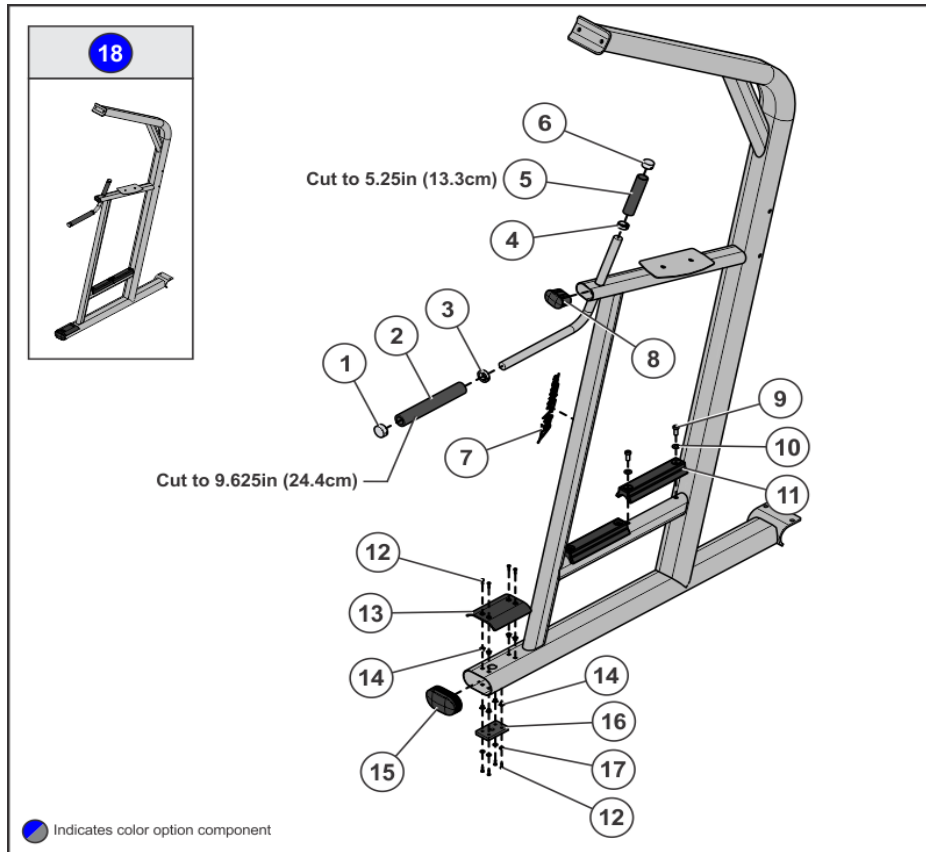
Ref #	Part Number	Qty	Description
1	3102514	16	WASHER, FLAT 3/8 IN SAE ST ZN
2	3242002	4	NUT, M10 X 1.5 HEX NYLOCK
3	1012186-0001	6	SPACER: 1-1/4 OD X 1/4
4	7630101	6	RETAINER, CM/MJ, PULLEY
5	3237407	6	PLUG, 1 IN HOLE
6	3256202	8	SCREW, M10 X 1.5 25MM ZN
7	3256211	4	SCREW, M10 X 1.5 70MM ZN
8	3236217	2	M10 X 1.5 X 100 SHCS, LOW HEAD
9	3256221	4	SCREW, M10 X 1.5 135MM ZN
10	1023849-0001	1	ASSEMBLY: HARDWARE KIT

# Left Upright



Ref #	Part Number	Qty	Description
1	7662902	1	CAP, GRIP 1.50 OD, 10-0133-026, BNR
2	3235807	1	GRIP, 1.50 OD X .25 WALL OPEN END
3	7662802	1	RING, GRIP 1.50OD, 10-0133-025, BNR
4	7662801	1	RING, GRIP 1.25 OD
5	3235806	1	GRIP, 1.25 OD X .125 WALL OPEN END
6	7662901	1	CAP; GRIP 1.25 OD
7	7800502	1	CAP, SML FLOV END -CHR
8	7865201	1	LABEL, LIFE FITNESS LOGO, 10-0099-062, BNR
9	3256202	4	SCREW, M10 X 1.5 25MM ZN
10	3102514	4	WASHER, FLAT 3/8 IN SAE ST ZN
11	7878704	2	GUARD, BAR REST - NO REINFORCEMENTS - CHR
12	3275801	8	SCREW, 8 X 3/4 DIN PHL PAN AB ST ZB
13	7821703	1	GUARD, SHORT PAINT - CHR
14	0017-00042-1147	8	GROMMET: SCREW, 8 OR 10
15	1022454-0001	1	ENDCAP: FLOV : INJ MOLDED
16	7810811	1	PAD, RUBBER FOOT -CHR
17	3114407	4	WASHER, FLAT #10 SAE ST BZ
18	8137701	1	LABEL, ASTM, OLY HORZ-SHEET
19	9488901	1	LABEL, INSIGNIA, FCC
20	1023791-0000	1	ASSEMBLY: UPRIGHT - LEFT Custom

# Right Upright



Ref #	Part Number	Qty	Description
1	7662902	1	CAP, GRIP 1.50 OD, 10-0133-026, BNR
2	3235807	1	GRIP, 1.50 OD X .25 WALL OPEN END
3	7662802	1	RING, GRIP 1.50OD, 10-0133-025, BNR
4	7662801	1	RING, GRIP 1.25 OD
5	3235806	1	GRIP, 1.25 OD X .125 WALL OPEN END
6	7662901	1	CAP; GRIP 1.25 OD
7	7800502	1	CAP, SML FLOV END -CHR
8	7865201	1	LABEL, LIFE FITNESS LOGO, 10-0099-062, BNR
9	3256202	4	SCREW, M10 X 1.5 25MM ZN
10	3102514	4	WASHER, FLAT 3/8 IN SAE ST ZN
11	7878704	2	GUARD, BAR REST - NO REINFORCEMENTS - CHR
12	3275801	8	SCREW, 8 X 3/4 DIN PHL PAN AB ST ZB
13	7821703	1	GUARD, SHORT PAINT - CHR
14	0017-00042-1147	8	GROMMET: SCREW, 8 OR 10
15	1022454-0001	1	ENDCAP: FLOV : INJ MOLDED
16	7810811	1	PAD, RUBBER FOOT -CHR
17	3114407	4	WASHER, FLAT #10 SAE ST BZ
18	1023795-0000	1	ASSEMBLY: UPRIGHT - RIGHT Custom

