

Life Fitness Flexibility Trainer

LBR-FS

Parts Manual

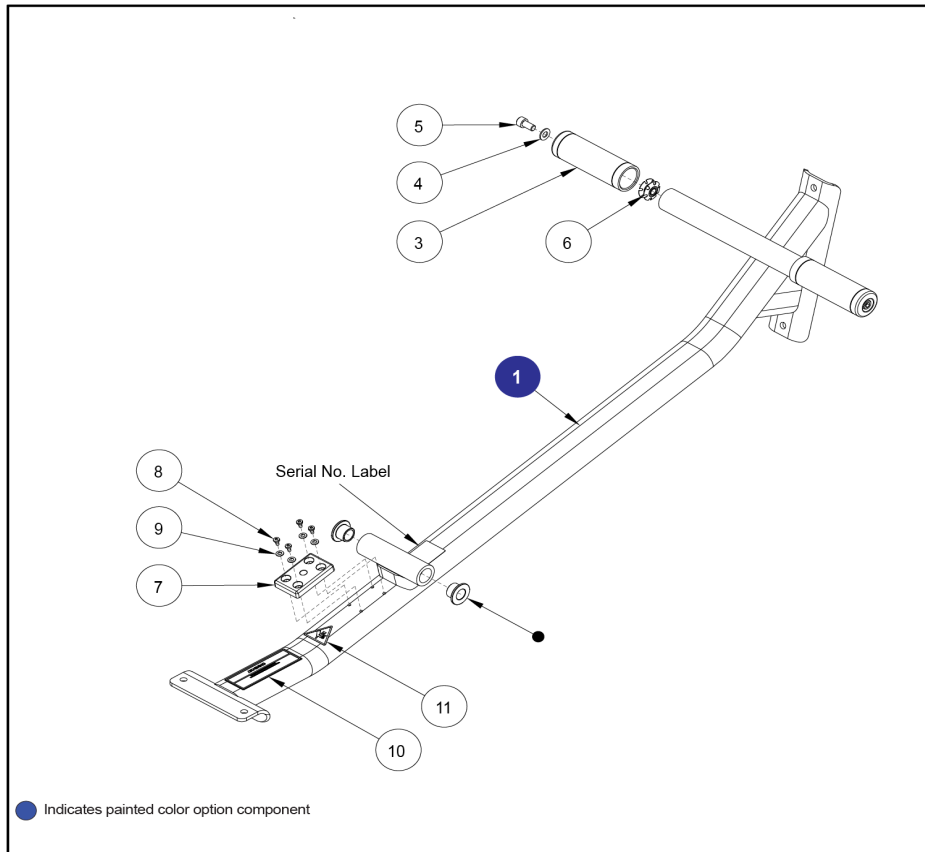
2/7/2025 9:33:26 AM



Table of Contents

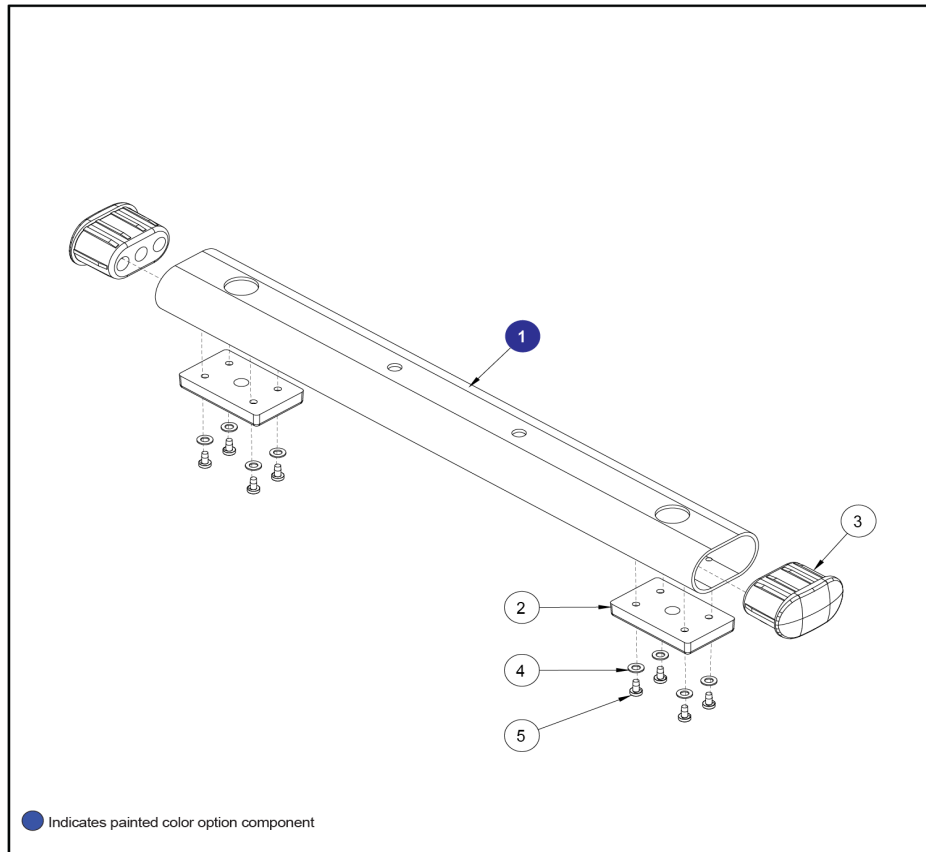
LBR-FS Base Frame Assembly	3
LBR-FS Front Support Assembly	4
LBR-FS Front Upright	5
LBR-FS Handle Assembly	6
LBR-FS Hardware Pack	7
LBR-FS Main Assembly	8
LBR-FS Placard Assembly	9
LBR-FS Rear Support Assembly	10
LBR-FS Seat Frame Assembly	11

LBR-FS Base Frame Assembly



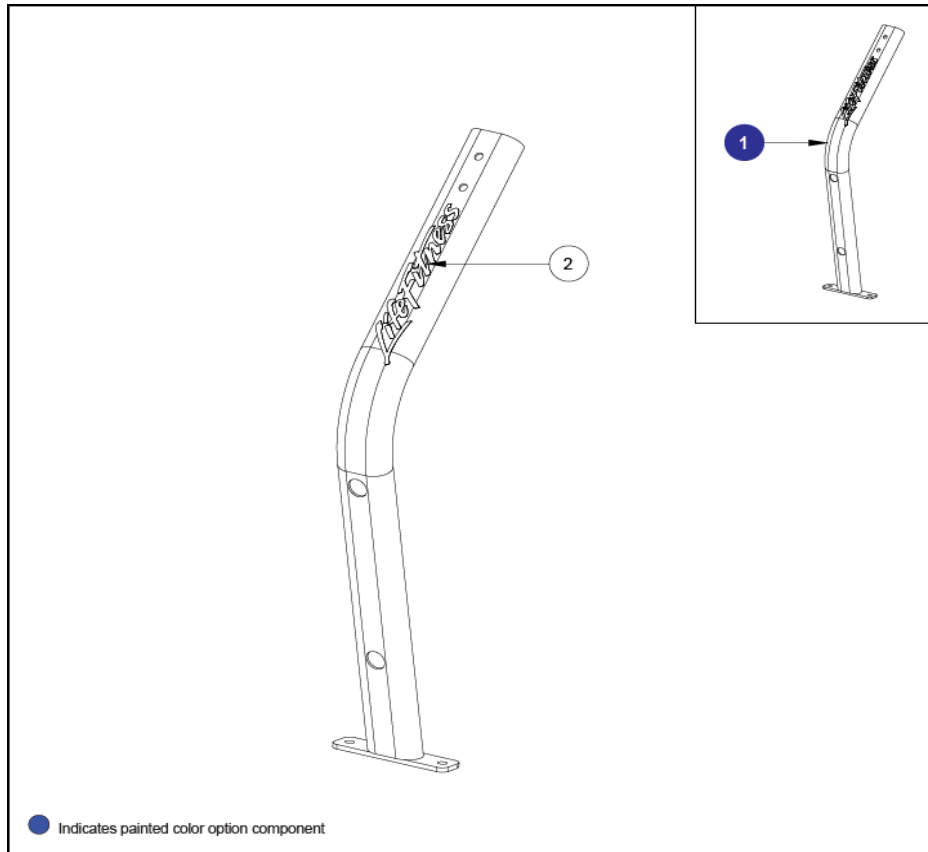
Ref #	Part Number	Qty	Description
1	1011126-0000	1	WELDMENT: OP-FS, BASE FRAME
3	7800102	2	GRIP, 1.50 ID FOOT
4	3102514	2	WASHER, FLAT 3/8 IN SAE ST ZN
5	3251701	2	M10 X 1.5 20 HXS SOC CS ST ZN
6	7347301	2	NUT, SPIDER M10 X 1.5
7	7810811	1	PAD, RUBBER FOOT -CHR
8	3270601	4	SCREW, #10-32 X 3/8 TRX PAN ST BZ
9	3264101	4	WASHER, M6
10	8137701	1	LABEL, ASTM, OLY HORZ-SHEET
11	8039501	1	LABEL, WARNING TRIANGLE

LBR-FS Front Support Assembly



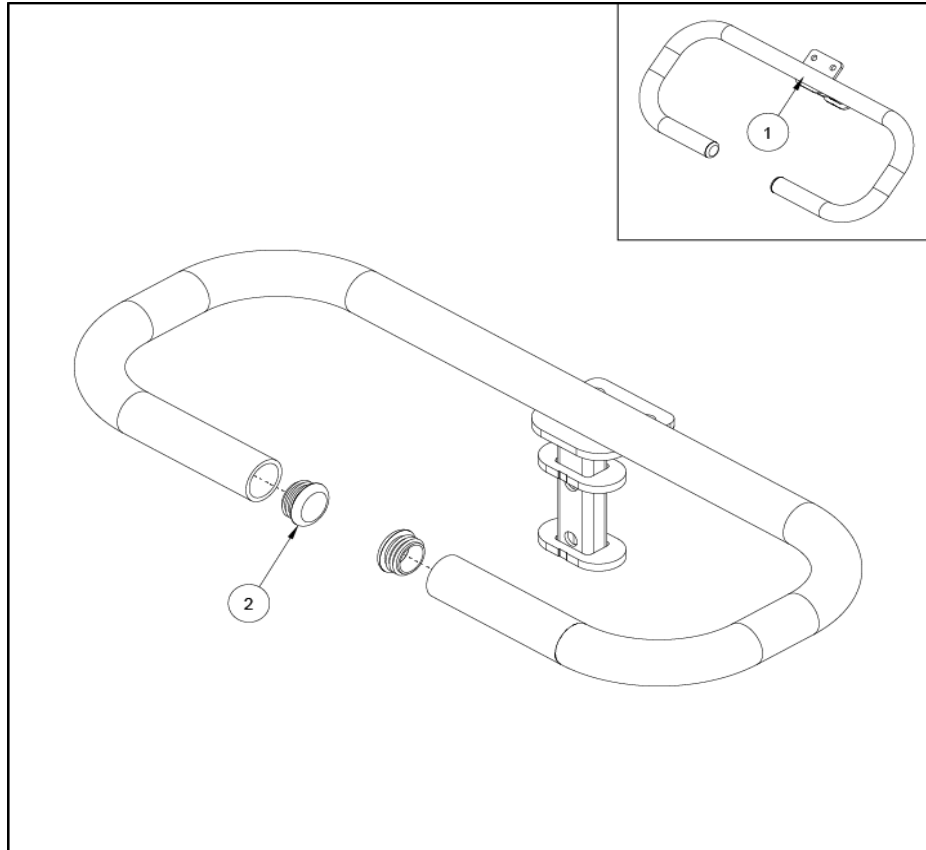
Ref #	Part Number	Qty	Description
1	1010506-0000	1	TUBE: 41.28 X 69.85 X 3.04MM
2	7810811	2	PAD, RUBBER FOOT -CHR
3	7800502	2	CAP, SML FLOV END -CHR
4	3264101	8	WASHER, M6
5	3270601	8	SCREW, #10-32 X 3/8 TRX PAN ST BZ

LBR-FS Front Upright



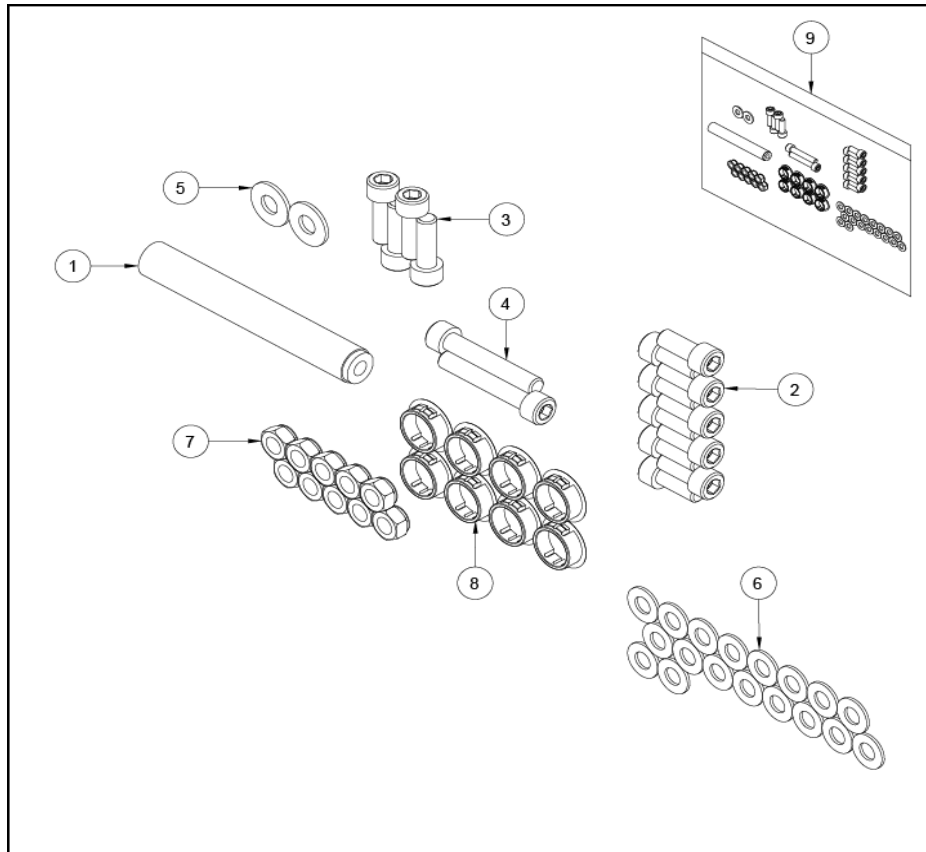
Ref #	Part Number	Qty	Description
1	1011677-0099	1	ASSY: OP-FS; FRONT UPRIGHT, Custom
2	7865201	1	LABEL, LIFE FITNESS LOGO, 10-0099-062, BNR

LBR-FS Handle Assembly



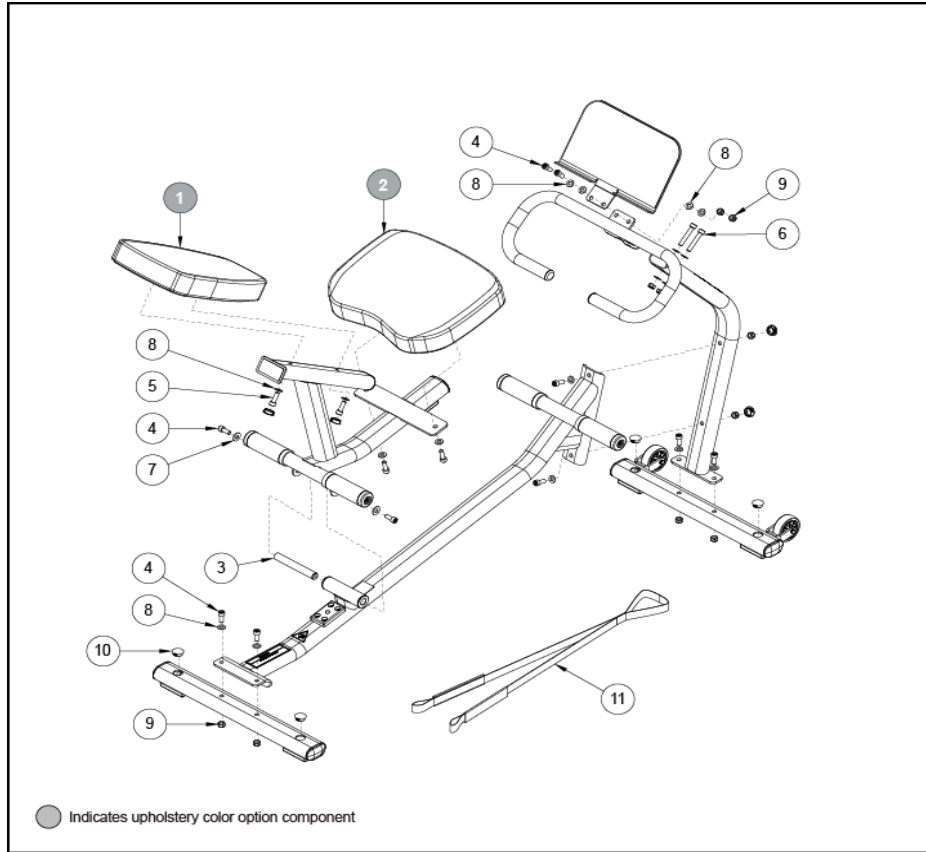
Ref #	Part Number	Qty	Description
1	1011139-0028	1	ASSY: OP-FS; HANDLE -CHG
2	3119303	2	CAP, END 1-1/4 RD 10-14GA

LBR-FS Hardware Pack



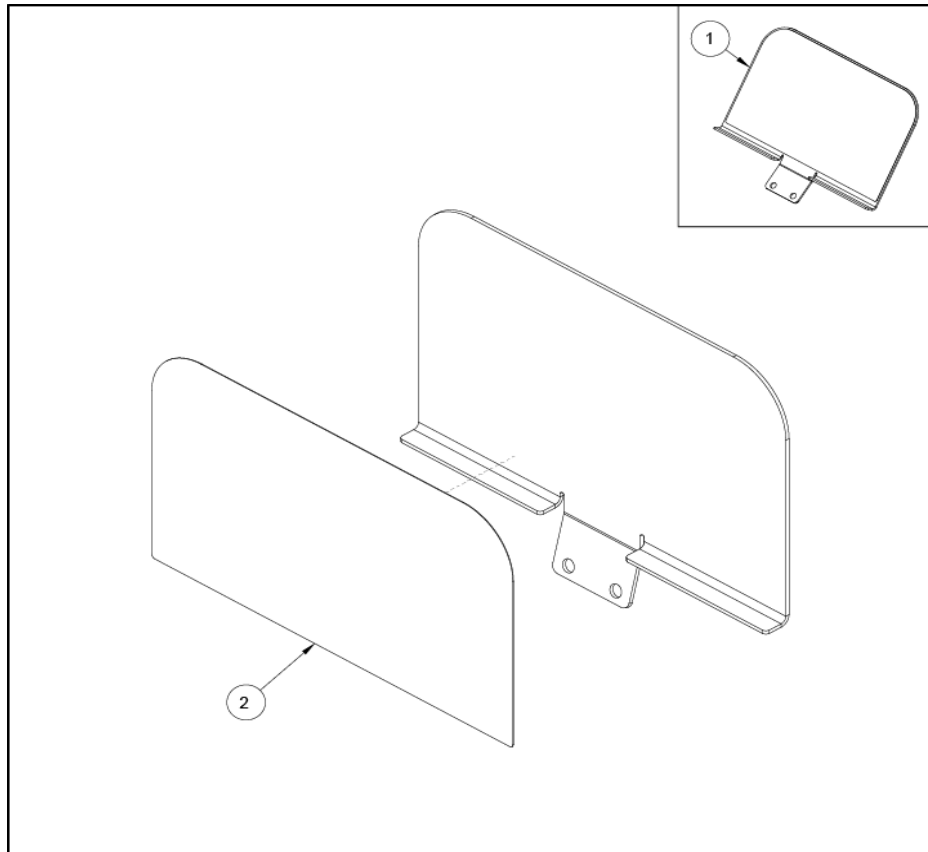
Ref #	Part Number	Qty	Description
1	1012178-0001	1	SHAFT: 19mm, PIVOT
2	LEA3251702	10	SCREW; M10 X1.5 25MM
3	3251703	4	M10 X 1.5 30 HXS SOC CS ST ZN
4	3251709	2	M10 X 1.5 X 60 HXS SOC CS ST ZN
5	3270001	2	WASHER, FLAT, METRIC 30 X 10.5 X 2.5, SS
6	3102514	18	WASHER, FLAT 3/8 IN SAE ST ZN
7	3242002	10	NUT, M10 X 1.5 HEX NYLOCK
8	3237407	8	PLUG, 1 IN HOLE
9	OP-FS-HDWR	1	ASSY: OP-FS; HARDWARE BAG

LBR-FS Main Assembly



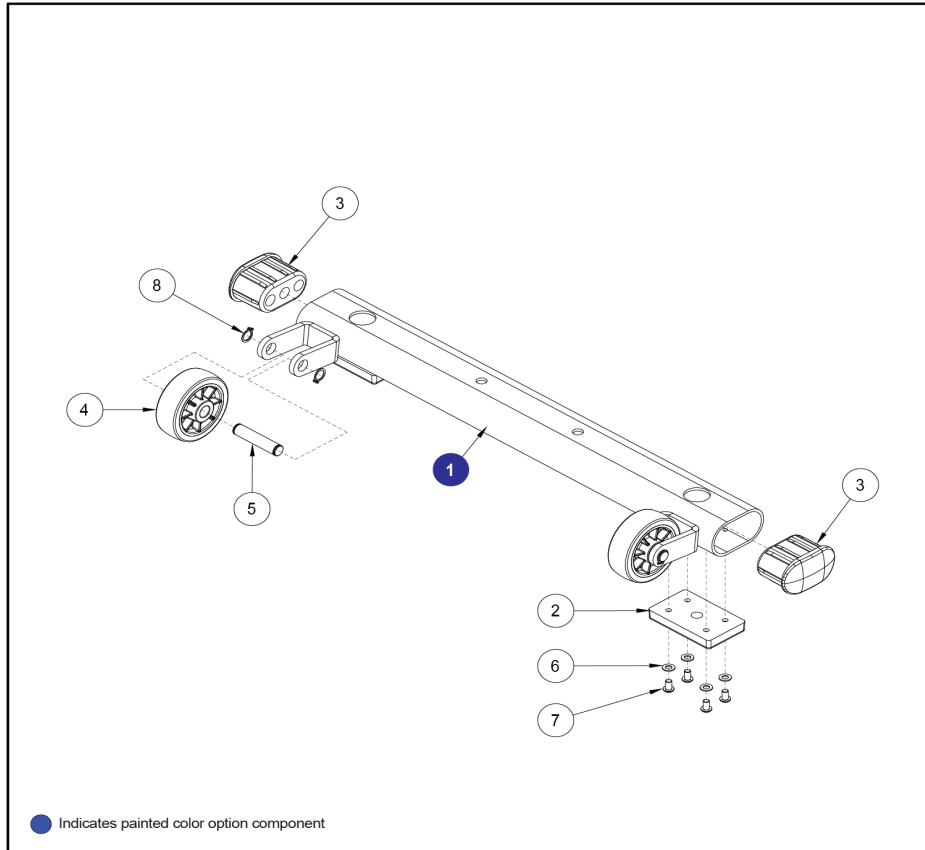
Ref #	Part Number	Qty	Description
1	1014030-0199	1	PAD: TAPERED SEAT, FLAT -DOUBLE STITCH Custom
1	1014030-0099	1	PAD: TAPERED SEAT, FLAT -SINGLE STITCH Custom
2	1016029-0199	1	PAD: LARGE CHAIR, FLAT -DOUBLE STITCH Custom
2	1016029-0099	1	PAD: LARGE CHAIR, FLAT -SINGLE STITCH Custom
3	1012178-0001	1	SHAFT: 19mm, PIVOT
4	LEA3251702	10	SCREW; M10 X1.5 25MM
5	3251703	4	M10 X 1.5 30 HXS SOC CS ST ZN
6	3251709	2	M10 X 1.5 X 60 HXS SOC CS ST ZN
7	3270001	2	WASHER, FLAT, METRIC 30 X 10.5 X 2.5, SS
8	3102514	18	WASHER, FLAT 3/8 IN SAE ST ZN
9	3242002	10	NUT, M10 X 1.5 HEX NYLOCK
10	3237407	8	PLUG, 1 IN HOLE
11	1012644-0001	1	STRAP: OP-FS

LBR-FS Placard Assembly



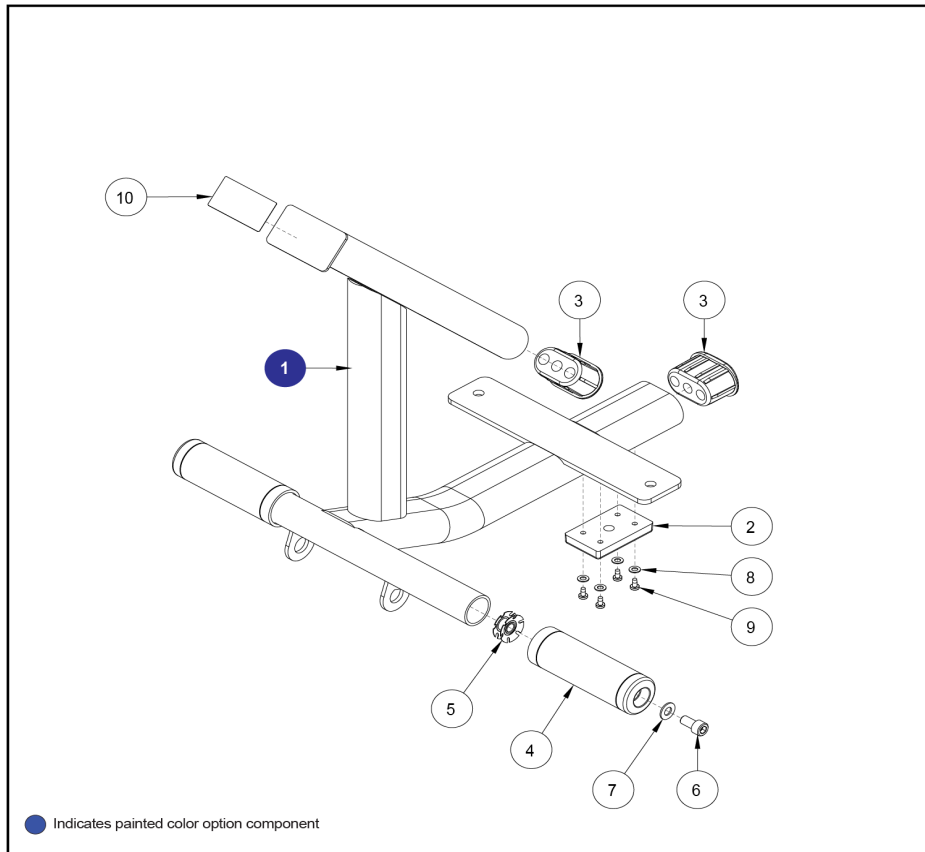
Ref #	Part Number	Qty	Description
1	1011678-0028	1	ASSY: OP-FS; PLACARD
2	1012643-0001	1	PLACARD: OP-FS

LBR-FS Rear Support Assembly



Ref #	Part Number	Qty	Description
1	1011129-0000	1	WELDMENT: OP-FS, REAR SUPPORT
2	7810811	2	PAD, RUBBER FOOT -CHR
3	7800502	2	CAP, SML FLOV END -CHR
4	0K59-01164-0000	2	WHEEL: 3.0 OD X .50 ID OVMOLD
5	8254001	2	AXLE, TCWHL
6	3264101	8	WASHER, M6
7	3270601	8	SCREW, #10-32 X 3/8 TRX PAN ST BZ
8	3243902	4	RING, BRE M12, ST, PP, TC

LBR-FS Seat Frame Assembly



Ref #	Part Number	Qty	Description
1	1011127-0000	1	WELDMENT: OP-FS, SEAT FRAME
2	7810811	1	PAD, RUBBER FOOT -CHR
3	7800502	2	CAP, SML FLOV END -CHR
4	7800102	2	GRIP, 1.50 ID FOOT
5	7347301	2	NUT, SPIDER M10 X 1.5
6	3251701	2	M10 X 1.5 20 HXS SOC CS ST ZN
7	3102514	2	WASHER, FLAT 3/8 IN SAE ST ZN
8	3264101	4	WASHER, M6
9	3270601	4	SCREW, #10-32 X 3/8 TRX PAN ST BZ
10	1011686-0001	1	LABEL: DO NOT SIT; OP-FS

