

LF B&R 3-TIER SADDLE DUMBBELL RACK - SHORT

LBR-DS

Parts Manual

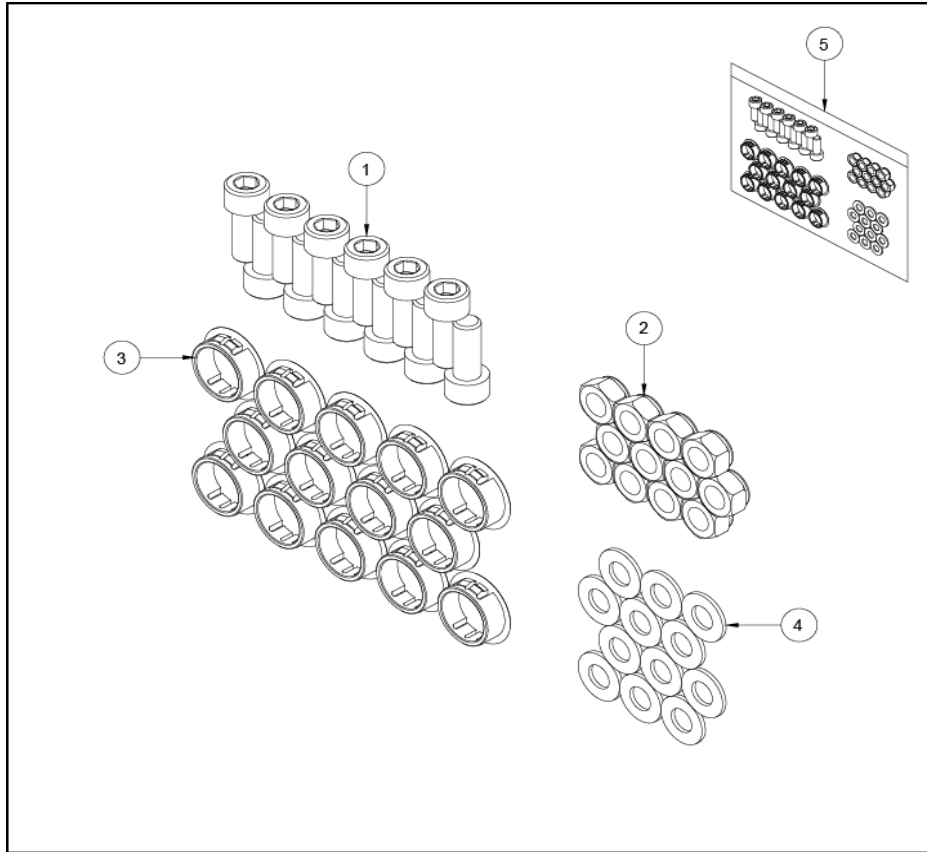
2/12/2025 8:18:34 AM



Table of Contents

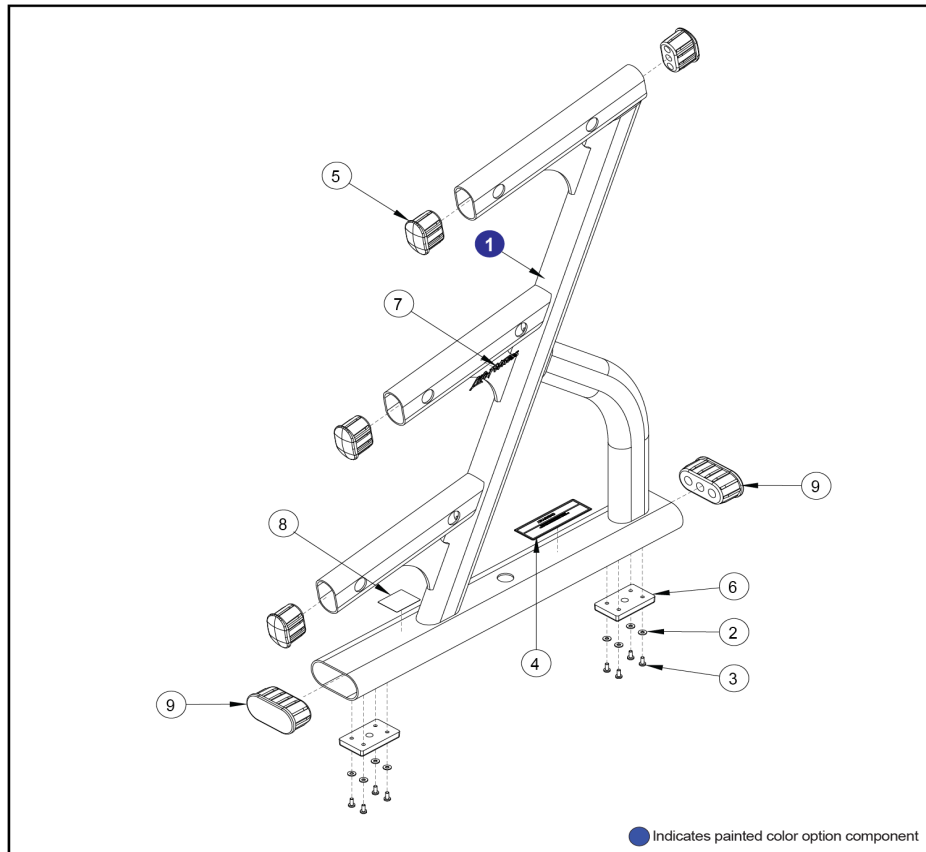
[LBR-DS Hardware Pack.....](#)3
[LBR-DS Left Frame Assembly.....](#)4
[LBR-DS Main Assembly.....](#)5
[LBR-DS Right Frame Assembly.....](#)6
[LBR-DS Saddle Tray 6 Dumbbell.....](#)7
[LBR-DS Saddle Tray 8 Dumbbell.....](#)8

LBR-DS Hardware Pack



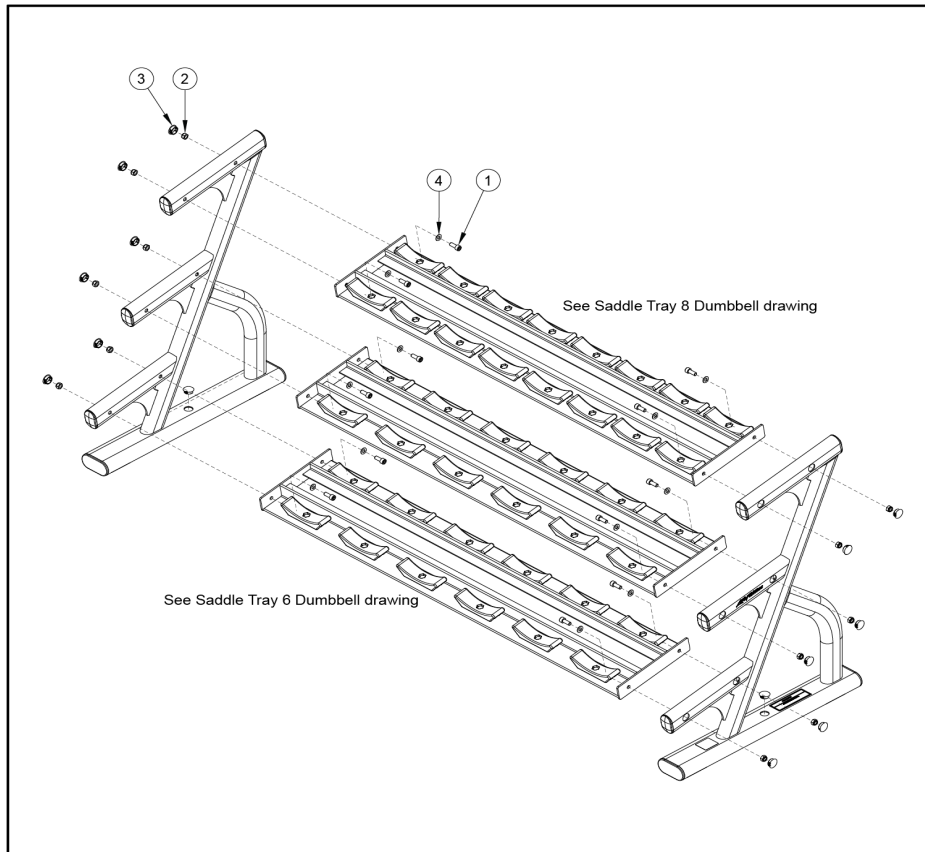
Ref #	Part Number	Qty	Description
1	LEA3251702	12	SCREW; M10 X1.5 25MM
2	3242002	12	NUT, M10 X 1.5 HEX NYLOCK
3	3237407	14	PLUG, 1 IN HOLE
4	3102514	12	WASHER, FLAT 3/8 IN SAE ST ZN
5	OP-DB3-HDWR	1	ASSY: OP-DB3; HARDWARE BAG

LBR-DS Left_Frame Assembly



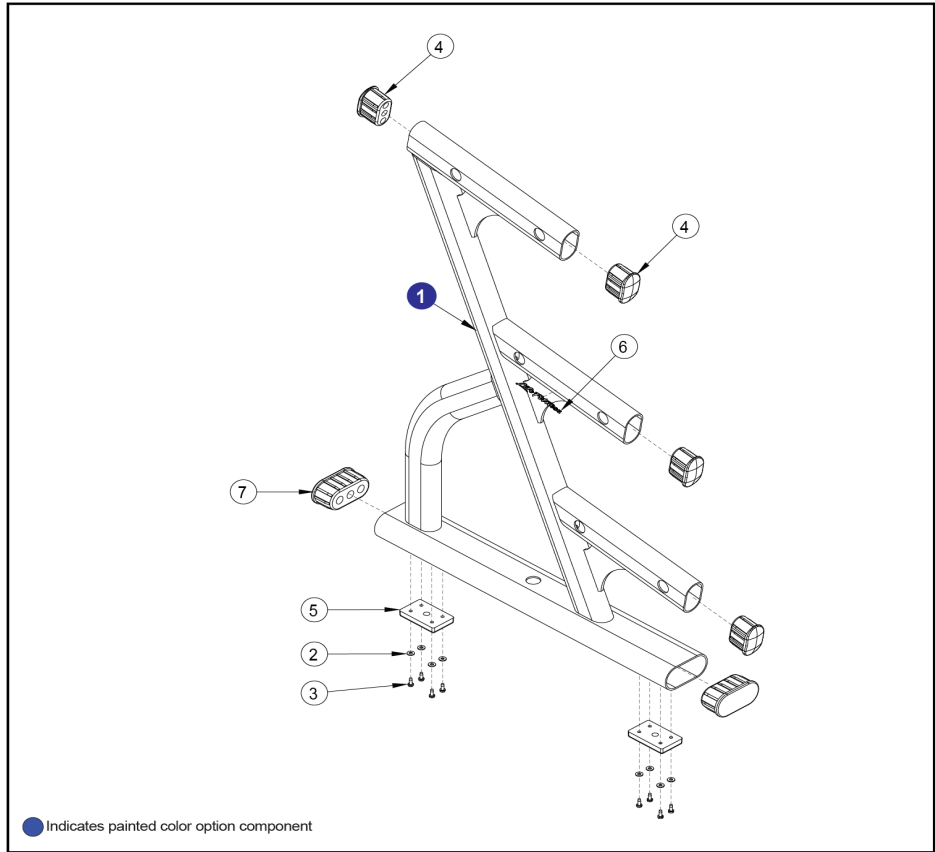
Ref #	Part Number	Qty	Description
1	1011638-0099	1	ASSY: OP-DB3; FRAME LEFT, Custom
2	3114407	8	WASHER, FLAT #10 SAE ST BZ
3	LEA3239102	8	SCREW, M5X12 PHL PAN TT ST BZ
4	8137701	1	LABEL, ASTM, OLY HORZ-SHEET
5	7800502	4	CAP, SML FLOV END -CHR
6	7810811	2	PAD, RUBBER FOOT -CHR
7	8106101	1	LABEL LIFE FIT 13/16 X 4-3/8" SG, 10-0101-016, BNR
8	8012902	2	CAP, MFLOV END -CHR

LBR-DS Main Assembly



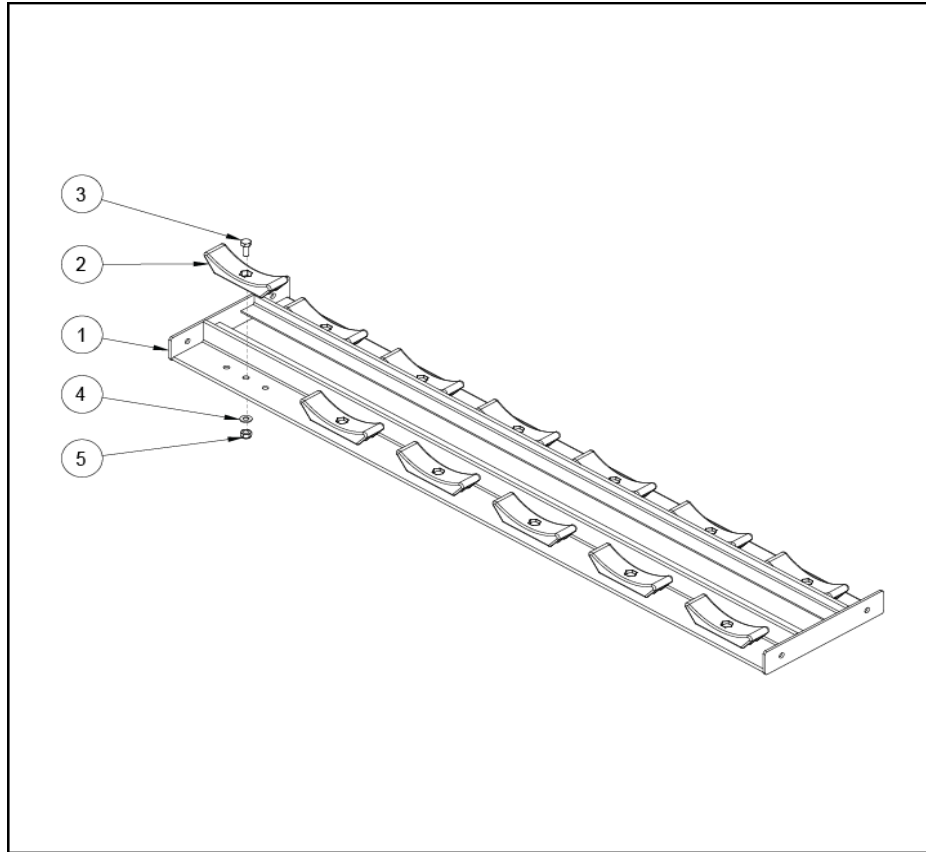
Ref #	Part Number	Qty	Description
1	1011179-0099	1	ASSY: DB3; SADDLE TRAY, Custom
2	1011187-0099	2	ASSY: DB3; SADDLE TRAY, Custom
3	LEA3251702	12	SCREW; M10 X1.5 25MM
4	3242002	12	NUT, M10 X 1.5 HEX NYLOCK
5	3237407	14	PLUG, 1 IN HOLE
6	3102514	12	WASHER, FLAT 3/8 IN SAE ST ZN

LBR-DS Right_Frame Assembly



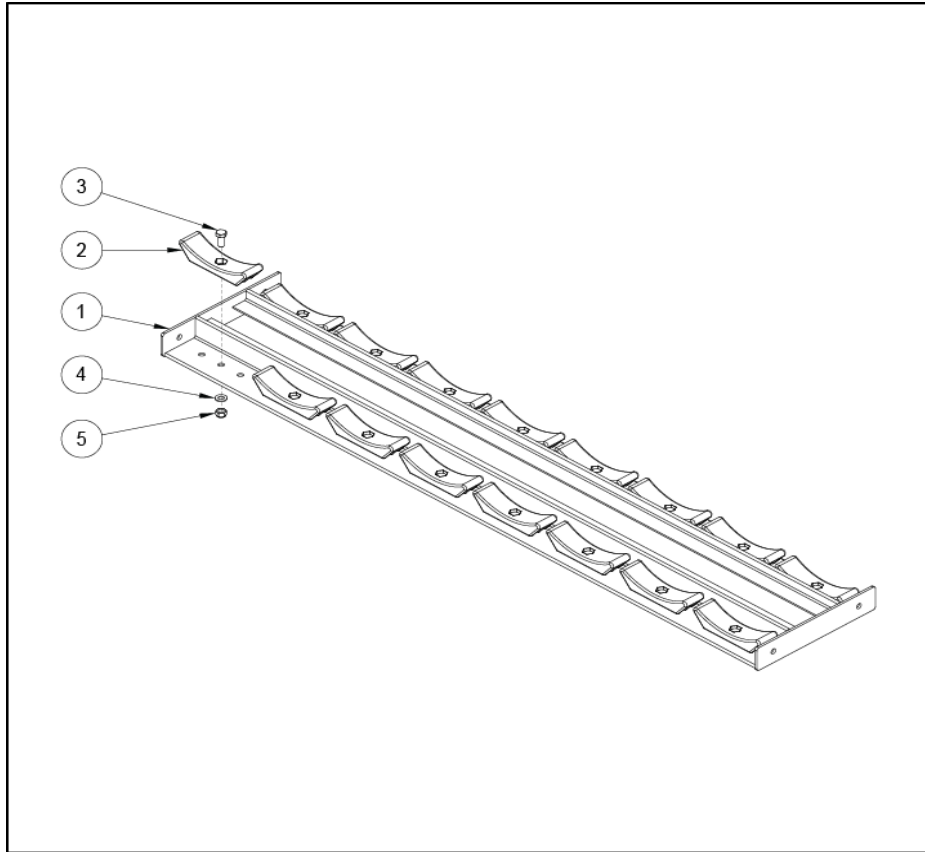
Ref #	Part Number	Qty	Description
1	1011639-0099	1	ASSY: FRAME RIGHT, Custom
2	3114407	8	WASHER, FLAT #10 SAE ST BZ
3	3270602	8	SCREW, #10-32 X .50 TRX PAN ST BZ
4	7800502	4	CAP, SML FLOV END -CHR
5	7810811	2	PAD, RUBBER FOOT -CHR
6	8106101	1	LABEL LIFE FIT 13/16 X 4-3/8" SG, 10-0101-016, BNR
7	8012902	2	CAP, MFLOV END -CHR

LBR-DS Saddle Tray 6 Dumbbell



Ref #	Part Number	Qty	Description
1	1011188-0099	1	WLDMT: DB3; SADDLE TRAY, Custom
2	7811602	12	CRADLE, DUMBBELL -BLK
3	3260802	12	BOLT, M10-1.5 X 25MM, BENCH AND RACK
4	3102514	12	WASHER, FLAT 3/8 IN SAE ST ZN
5	3242002	12	NUT, M10 X 1.5 HEX NYLOCK

LBR-DS Saddle Tray 8 Dumbbell



Ref #	Part Number	Qty	Description
1	1011180-0099	1	WLDMT: DB3; SADDLE TRAY, Custom
2	7811602	16	CRADLE, DUMBBELL -BLK
3	3260802	16	BOLT, M10-1.5 X 25MM, BENCH AND RACK
4	3102514	16	WASHER, FLAT 3/8 IN SAE ST ZN
5	3242002	16	NUT, M10 X 1.5 HEX NYLOCK

