

LIFE FITNESS DECLINE ADJUSTABLE BENCH

LBR-DB

Parts Manual

2/5/2024 23:32:30 PM

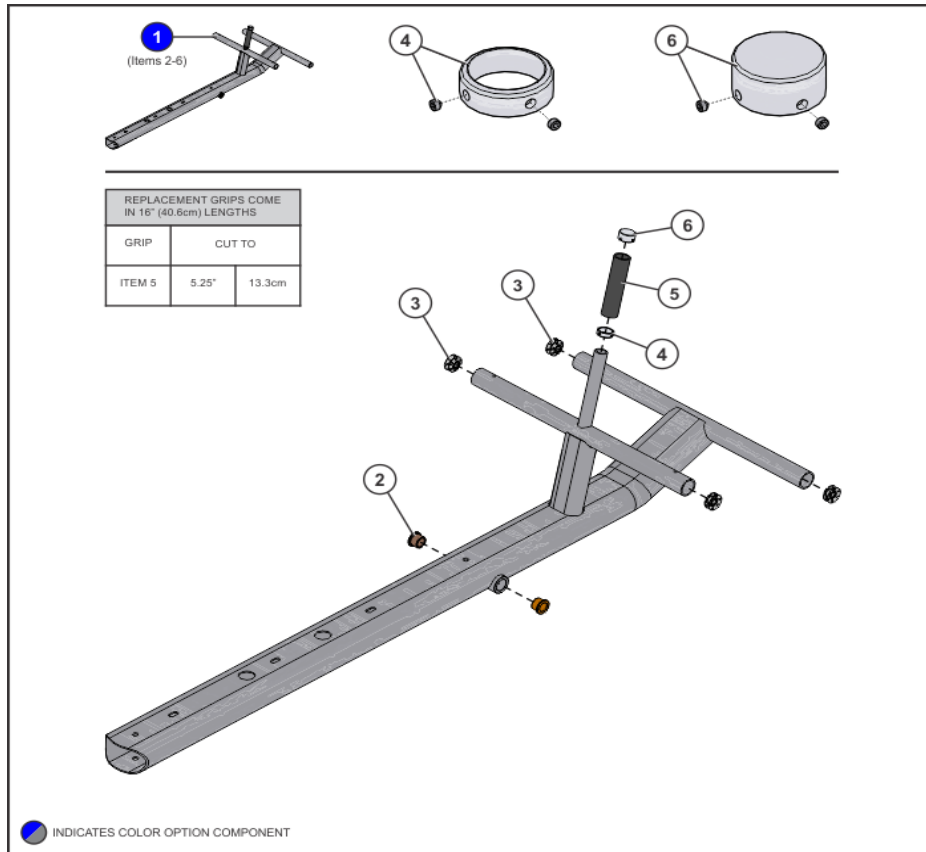


**LBR-DB - LIFE FITNESS DECLINE
ADJUSTABLE BENCH**

Table of Contents

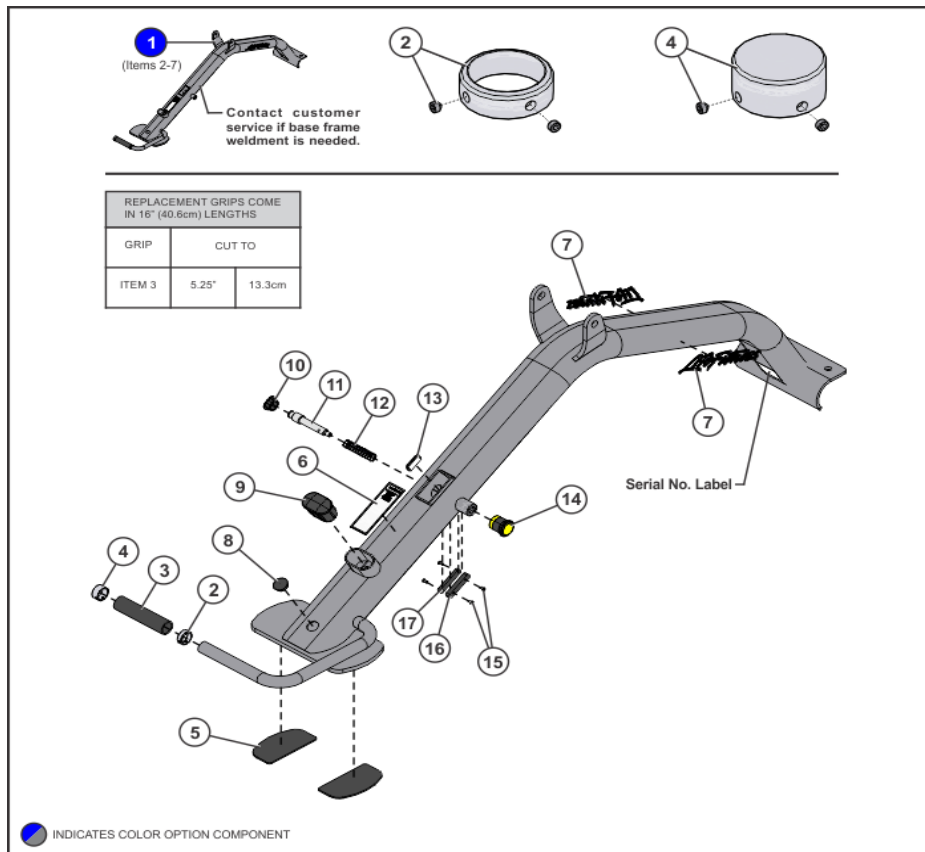
Back Support	3
Base Frame	4
Components	5
Hardware Bag	7
Stabilizer	8

Back Support



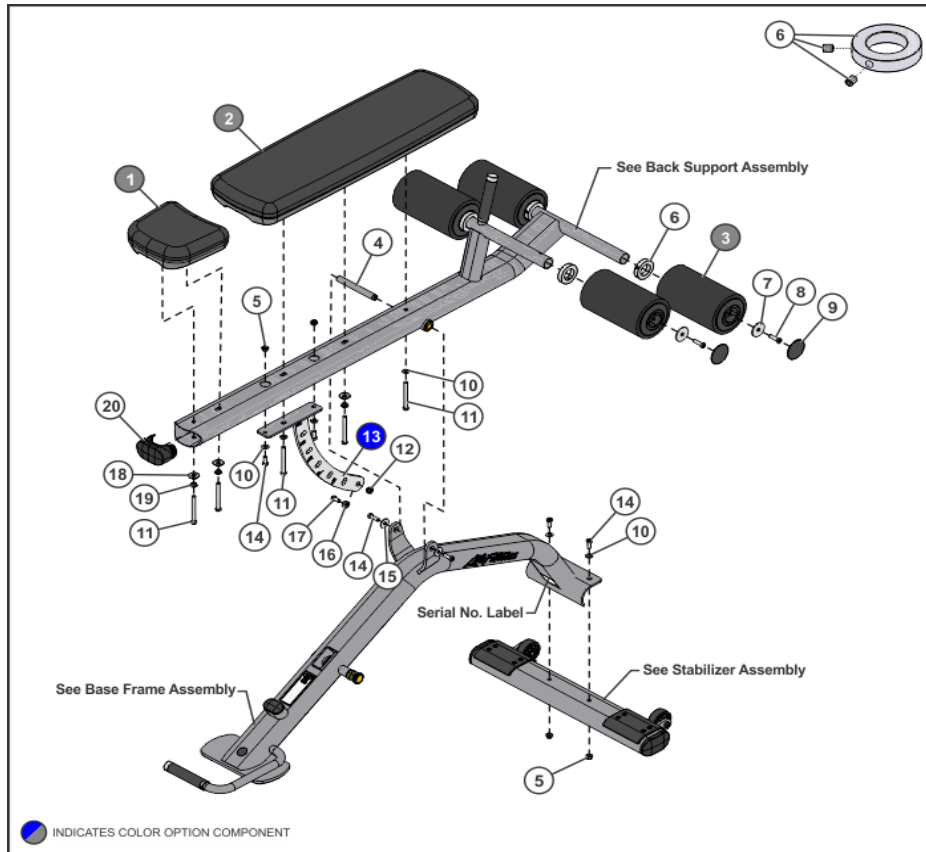
Ref #	Part Number	Qty	Description
1	1022471-0000	1	ASSEMBLY: BACK SUPPORT
2	3104901	2	BEARING, FLG .75 ID X 1.00 OD
3	7347301	4	NUT, SPIDER M10 X 1.5
4	3235806	1	GRIP, 1.25 OD X .125 WALL OPEN END
5	7662801	1	RING, GRIP 1.25 OD
6	7662901	1	CAP; GRIP 1.25 OD

Base Frame



Ref #	Part Number	Qty	Description
1	1022985-0000	1	ASSEMBLY: BASE FRAME
2	7662801	1	RING, GRIP 1.25 OD
3	3235806	1	GRIP, 1.25 OD X .125 WALL OPEN END
4	7662901	1	CAP; GRIP 1.25 OD
5	1023220-0001	2	PAD: RUBBER
6	8137801	1	LABEL, ASTM, OLY VERT-SHEET
7	7865201	2	LABEL, LIFE FITNESS LOGO, 10-0099-062, BNR
8	3237407	1	PLUG, 1 IN HOLE
9	7800502	1	CAP, SML FLOV END -CHR
10	1022979-0001	1	PLUG: CURVED HOLE, 1 INCH
11	1022977-0001	1	PIN: PULL, WITH DETENT
12	7351501	1	SPRING; PULL PIN LARGE
13	7570802	1	GUARD, PAINT, 1.25 x .75 x .25, BLK
14	9454703	1	KNOB, ADJ
15	3226006	4	6-20 X 5 PHL PAN PLT ST BZ
16	1023265-0001	1	SPACER: 3/8" INDEX PLATE GUIDE
17	1023266-0001	1	SPACER: 1/4" INDEX

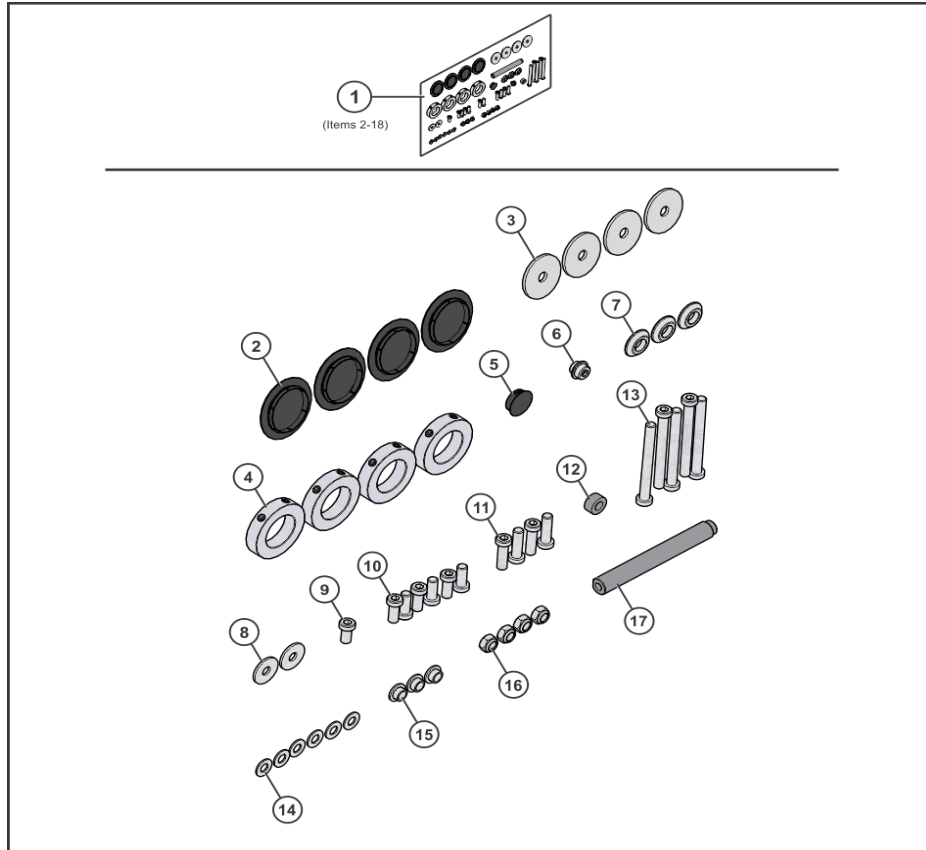
Components



Ref #	Part Number	Qty	Description
1	1023447-0199	1	PAD: HEAD REST, FLAT, CUS, DOUBLE-STITCH
1	1023447-0099	1	PAD: HEAD REST, FLAT, CUS, SINGLE-STITCH
1	1023447-0101	1	PAD: HEAD REST, FLAT, BLACK, DOUBLE-STITCH
1	1023447-0001	1	PAD: HEAD REST, FLAT, BLACK, SINGLE-STITCH
2	1023388-0001	1	PAD: 36 X 11, FLAT, BLACK, SINGLE-STITCH
2	1023388-0099	1	PAD: 36 X 11, FLAT, CUS, SINGLE-STITCH
2	1023388-0199	1	PAD: 36 X 11, FLAT, CUS, DOUBLE-STITCH
2	1023388-0101	1	PAD: 36 X 11, FLAT, BLACK, DOUBLE-STITCH
			ASSY, ROLLER PAD SHORT CUS, SNGL STITCH- Custom
3	1000005-0099	4	ASSY, ROLLER PAD - SHORT BLACK
3	1000005-0001	4	ASSY, ROLLER PAD SHORT, DBL STITCH- BLACK
3	1000005-0101	4	ASSY, ROLLER PAD SHORT, DBL STITCH- Custom
3	1000005-0199	4	ASSY, ROLLER PAD SHORT, DBL STITCH- Custom
4	1022479-0001	1	SHAFT: PIVOT, 6"
5	3236801	2	NUT, NYLOCK M10 X 1.5 SS
6	7357901	4	COLLAR, SHAFT 1.53 ID ALUM
7	7322301	4	PLATE, 1.97 OD X .447 ID 10GA
8	3236204	4	M10 X 1.5 X 35 SHCS, LOW HEAD
9	7308702	4	CAP, BEARING HOUSING
10	3273303	6	WASHER, 3/8, THRU-HARDENED
11	3236217	5	M10 X 1.5 X 100 SHCS, LOW HEAD
12	7335401	1	NUT, M10 X 1.5 SOCKET HEAD

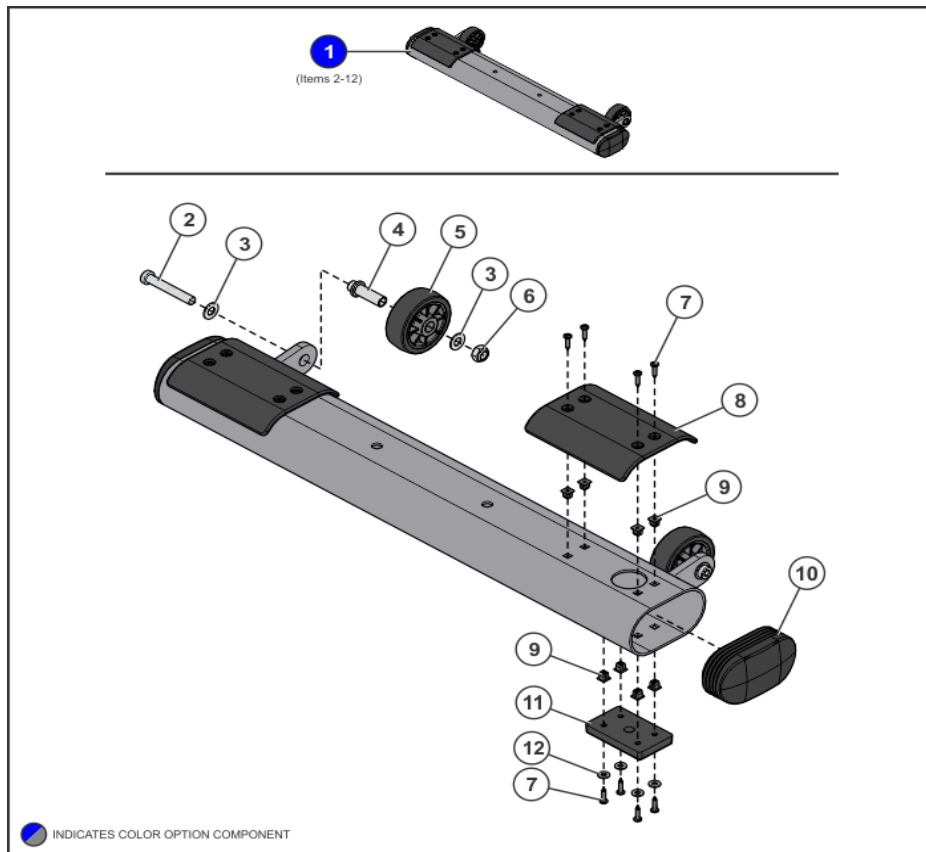
Ref #	Part Number	Qty	Description
13	1022484-0000	1	WELDMENT: ADJUSTMENT
14	3236202	5	M10 X 1.5 X 25 SHCS, LOW HEAD
15	3236602	2	WASHER, 3/8 ID X 1.25 OD SS
16	8862701	1	SPACER, NYLON
17	3236201	1	M10 X 1.5 X 20 SHCS, LOW HEAD
18	1012186-0001	3	SPACER: 1-1/4 OD X 1/4
19	7630101	3	RETAINER, CM/MJ, PULLEY
20	7333902	1	CAP, LARGE FLOV-END; CHGR

Hardware Bag



Ref #	Part Number	Qty	Description
1	1023287-0001	1	ASSY: HARDWARE BAG
2	7308702	4	CAP, BEARING HOUSING
3	7322301	4	PLATE, 1.97 OD X .447 ID 10GA
4	7357901	4	COLLAR, SHAFT 1.53 ID ALUM
5	3237407	1	PLUG, 1 IN HOLE
6	7335401	1	NUT, M10 X 1.5 SOCKET HEAD
7	1012186-0001	3	SPACER: 1-1/4 OD X 1/4
8	3236602	2	WASHER, 3/8 ID X 1.25 OD SS
9	3236201	1	M10 X 1.5 X 20 SHCS, LOW HEAD
10	3236202	6	M10 X 1.5 X 25 SHCS, LOW HEAD
11	3236204	4	M10 X 1.5 X 35 SHCS, LOW HEAD
12	8862701	1	SPACER, NYLON
13	3236217	5	M10 X 1.5 X 100 SHCS, LOW HEAD
14	3273303	6	WASHER, 3/8, THRU-HARDENED
15	7630101	3	RETAINER, CM/MJ, PULLEY
16	3236801	4	NUT, NYLOCK M10 X 1.5 SS
17	1022479-0001	1	SHAFT: PIVOT, 6"

Stabilizer



Ref #	Part Number	Qty	Description
1	1022480-0000	1	ASSEMBLY: STABILIZER
2	3236210	2	M10 X 1.5 X 65 SHCS, LOW HEAD
3	3273303	4	WASHER, 3/8, THRU-HARDENED
4	7961401	2	AXLE, FW, WHEEL
5	0K59-01164-0000	2	WHEEL: 3.0 OD X .50 ID OVERMOLD
6	3236801	2	NUT, NYLOCK M10 X 1.5 SS
7	3275801	16	SCREW, 8 X 3/4 DIN PHL PAN AB ST ZB
8	7821703	2	GUARD, SHORT PAINT - CHR
9	0017-00042-1147	16	GROMMET: SCREW, 8 OR 10
10	1002166-0700	2	ENDCAP: LARGE FLOV, BLACK
11	7810811	2	PAD, RUBBER FOOT -CHR
12	3114407	8	WASHER, FLAT #10 SAE ST BZ

