

# Frame Red Built-to-Order

LBR-BR-1H13-101

## Parts Manual

6/18/2024 21:24:05 PM

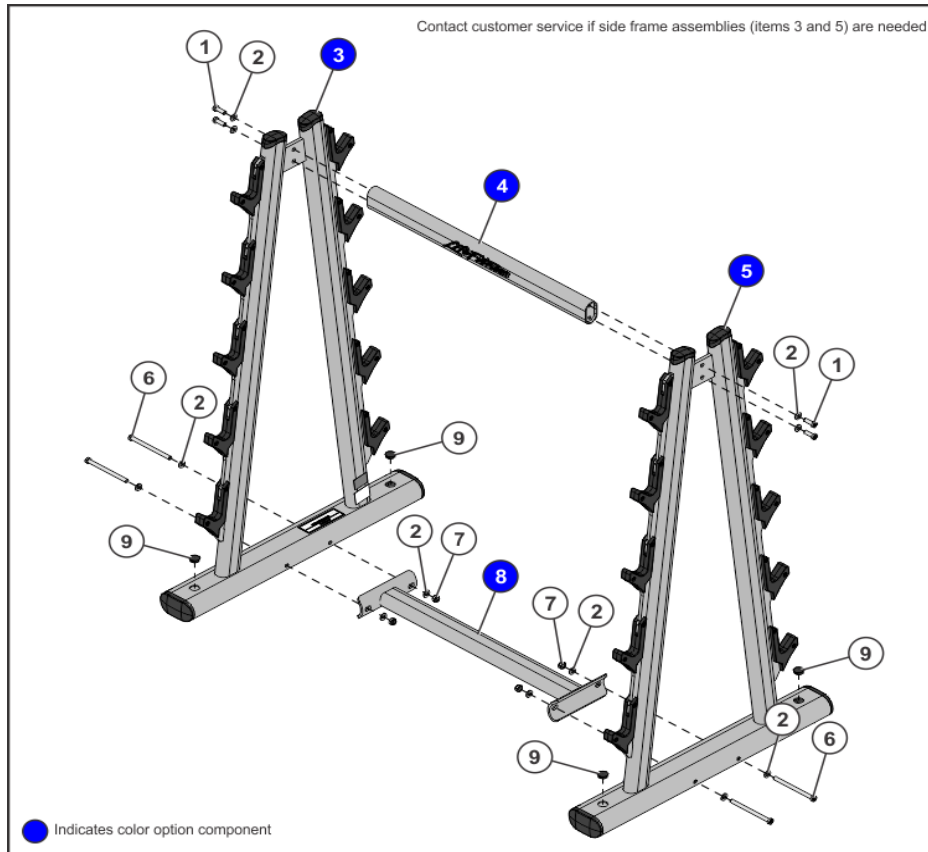


**Table of Contents**

---

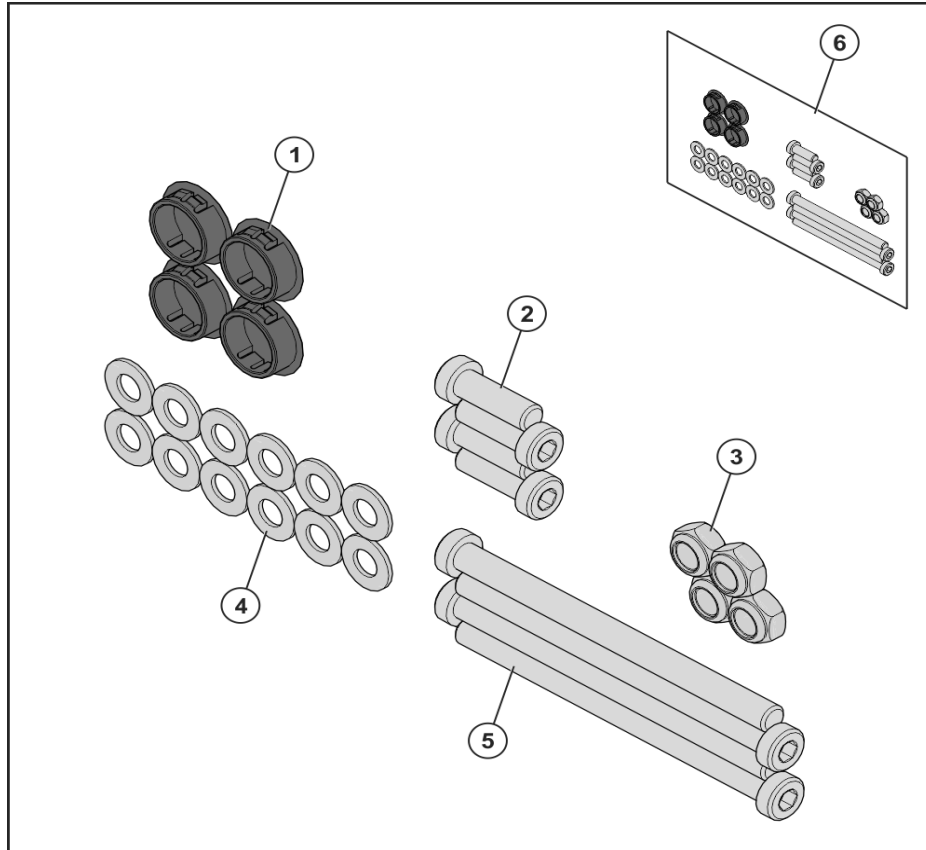
[Components](#).....3  
[Hardware Bag](#).....4  
[Left Side Frame Assembly](#).....5  
[Right Side Frame Assembly](#).....6  
[Top Cross Brace](#).....7

# Components



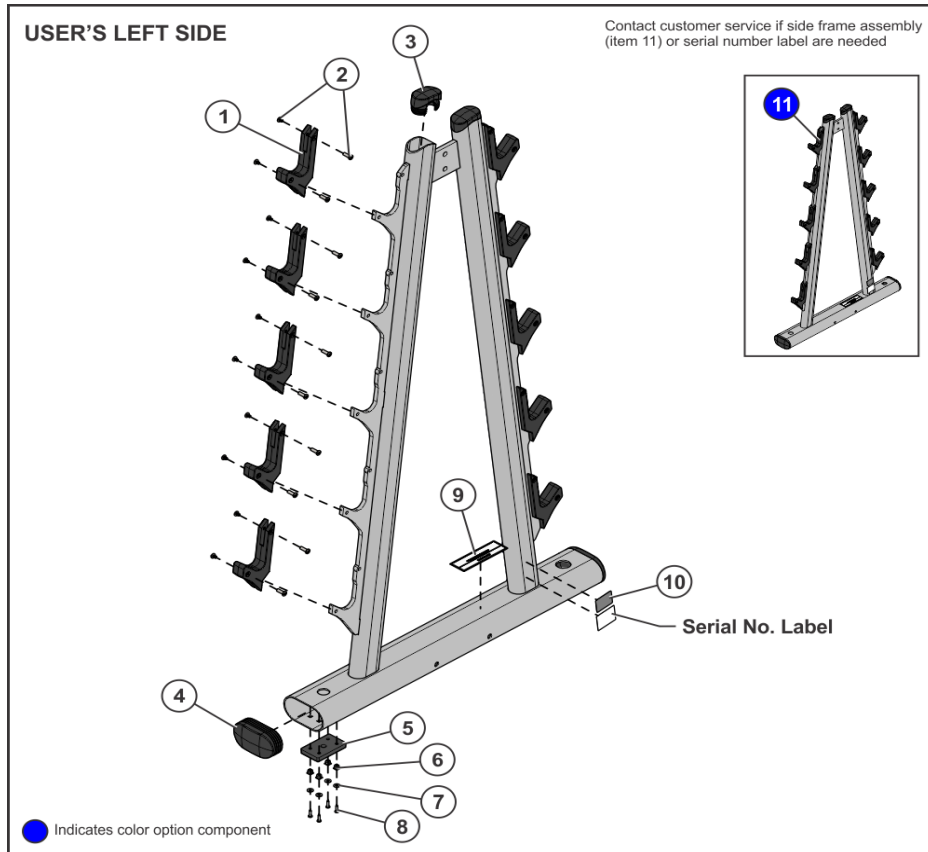
Ref #	Part Number	Qty	Description
1	3256207	4	SCREW, M10 X 1.5 50MM ZN
2	3102512	12	WSHR, FLAT 1/2 ID X1-3/4 OD ZN
3	1022722-0000	1	ASSEMBLY: SIDE FRAME-LEFT Custom
4	1022720-0000	1	ASSEMBLY: TOP CROSS BRACE Custom
5	1022719-0000	1	ASSEMBLY: SIDE FRAME-RIGHT Custom
6	3256221	4	SCREW, M10 X 1.5 135MM ZN
7	3236801	4	NUT, NYLOCK M10 X 1.5 SS
8	1021991-0000	1	WELDMENT: BOTTOM CROSS BRACE
9	3237407	4	PLUG, 1 IN HOLE

## Hardware Bag



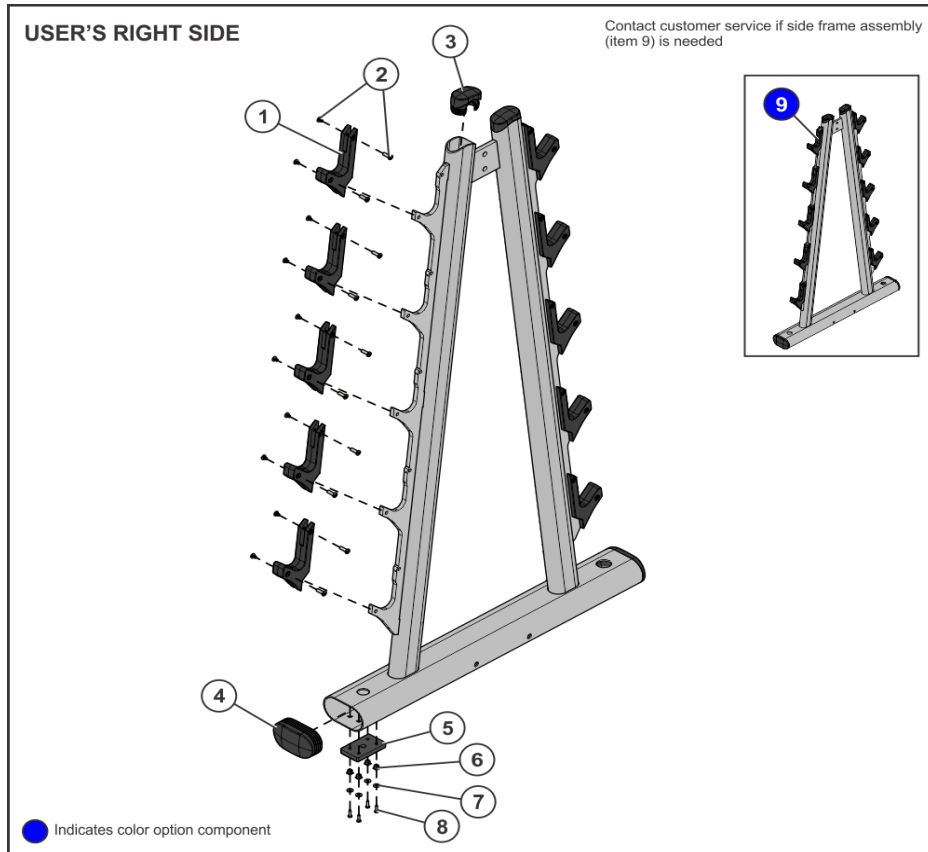
Ref #	Part Number	Qty	Description
1	3237407	4	PLUG, 1 IN HOLE
2	3256203	4	SCREW, M10 X 1.5 30MM ZN
3	3242002	4	NUT, M10 X 1.5 HEX NYLOCK
4	3102514	12	WASHER, FLAT 3/8 IN SAE ST ZN
5	3256221	4	SCREW, M10 X 1.5 135MM ZN
6	1022802-0001	1	ASSY: HARDWARE BAG

# Left Side Frame Assembly



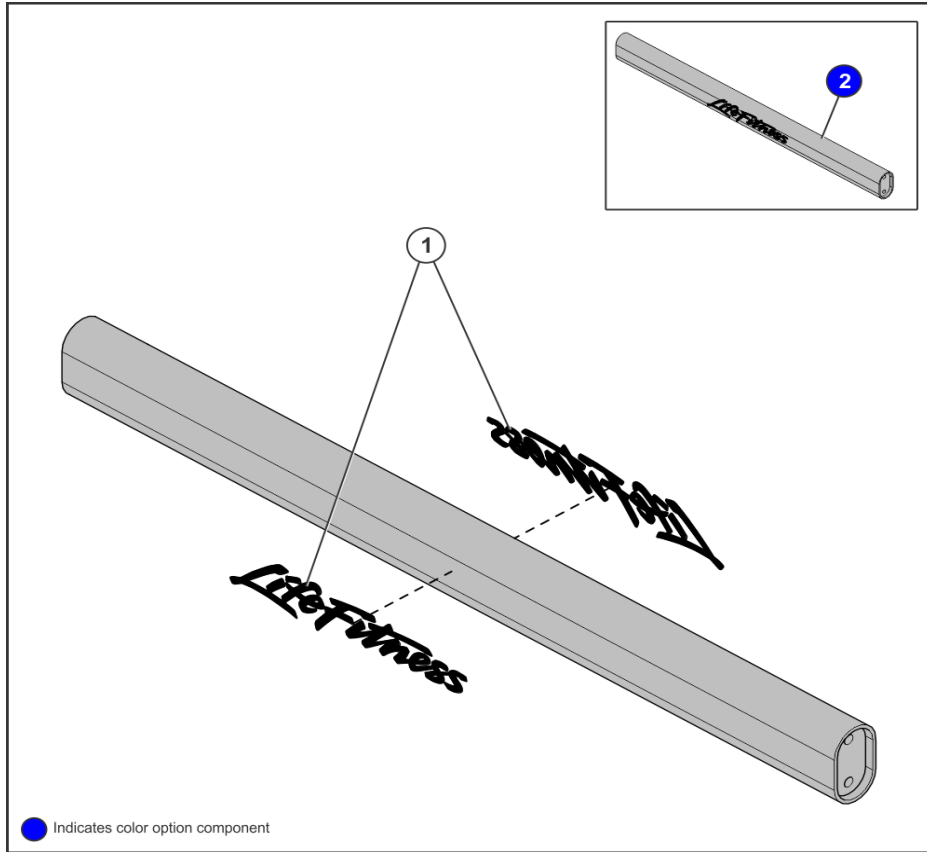
Ref #	Part Number	Qty	Description
1	1010118-0001	10	GUARD: GUN RACK
2	1003822-0001	20	BINDING POST, 10-24
3	7333802	2	CAP, SMALL FLOV-END
4	1002166-0700	2	ENDCAP: LARGE FLOV, BLACK
5	7810811	2	PAD, RUBBER FOOT -CHR
6	0017-00042-1147	8	GROMMET: SCREW, 8 OR 10
7	3114407	8	WASHER, FLAT #10 SAE ST BZ
8	3275801	8	SCREW, 8 X 3/4 DIN PHL PAN AB ST ZB
9	8137701	1	LABEL, ASTM, OLY HORZ-SHEET
10	9488901	1	LABEL, INSIGNIA, FCC
11	1022722-0000	1	ASSEMBLY: SIDE FRAME-LEFT Custom

# Right Side Frame Assembly



Ref #	Part Number	Qty	Description
1	1010118-0001	10	GUARD: GUN RACK
2	1003822-0001	20	BINDING POST, 10-24
3	7333802	2	CAP, SMALL FLOV-END
4	1002166-0700	2	ENDCAP: LARGE FLOV, BLACK
5	7810811	2	PAD, RUBBER FOOT -CHR
6	0017-00042-1147	8	GROMMET: SCREW, 8 OR 10
7	3114407	8	WASHER, FLAT #10 SAE ST BZ
8	3275801	8	SCREW, 8 X 3/4 DIN PHL PAN AB ST ZB
9	1022719-0000	1	ASSEMBLY: SIDE FRAME-RIGHT Custom

# Top Cross Brace



Ref #	Part Number	Qty	Description
1	7865201	2	LABEL, LIFE FITNESS LOGO, 10-0099-062, BNR
2	1022720-0000	1	ASSEMBLY: TOP CROSS BRACE Custom

