

Life Fitness Arm Curl Bench

LBR-BC

Parts Manual

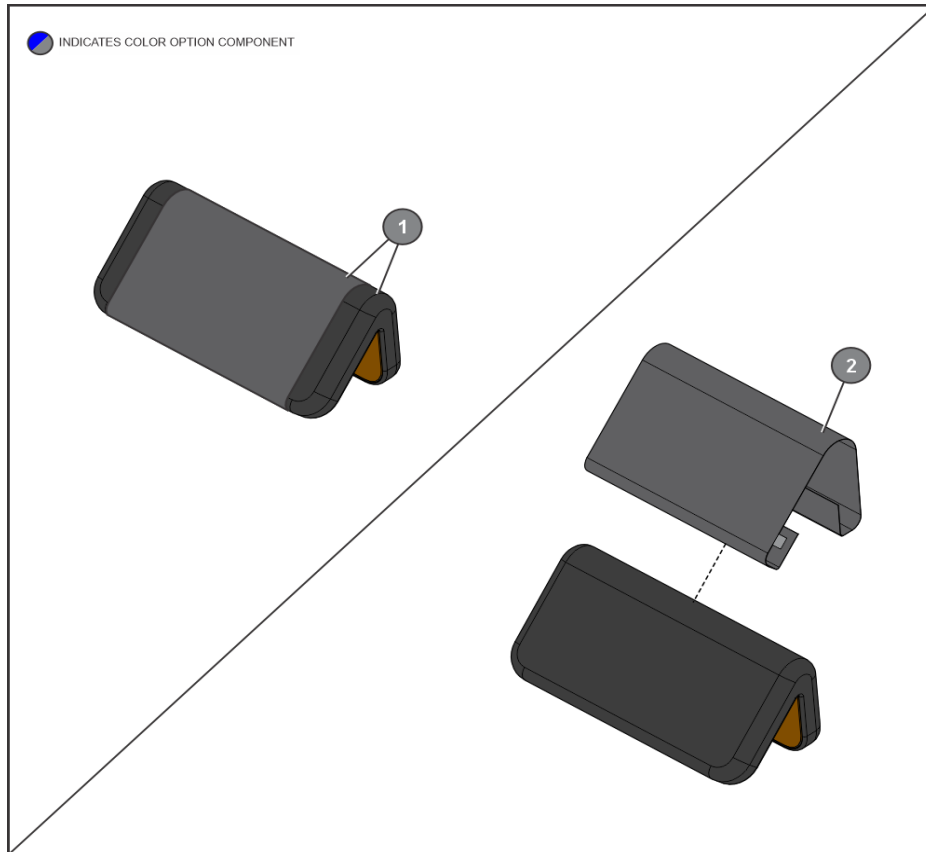
6/18/2024 22:06:49 PM



Table of Contents

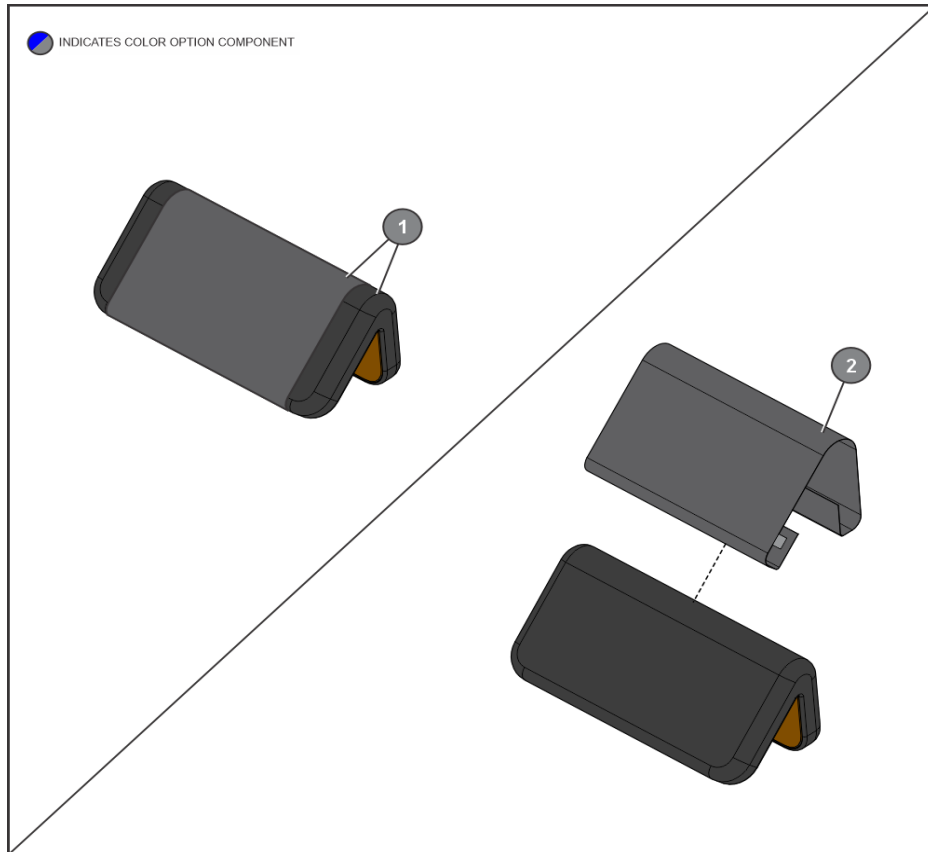
[Angle Pad Assembly and Wear Cover](#).....3
[Angle Pad Wear Cover](#).....4
[Components](#).....5
[Hardware Kit](#).....6
[Left Side Frame Assembly](#).....7
[Lower Cross Brace](#).....8
[Right Side Frame Assembly](#).....9
[Upper Cross Brace](#).....10

Angle Pad Assembly and Wear Cover



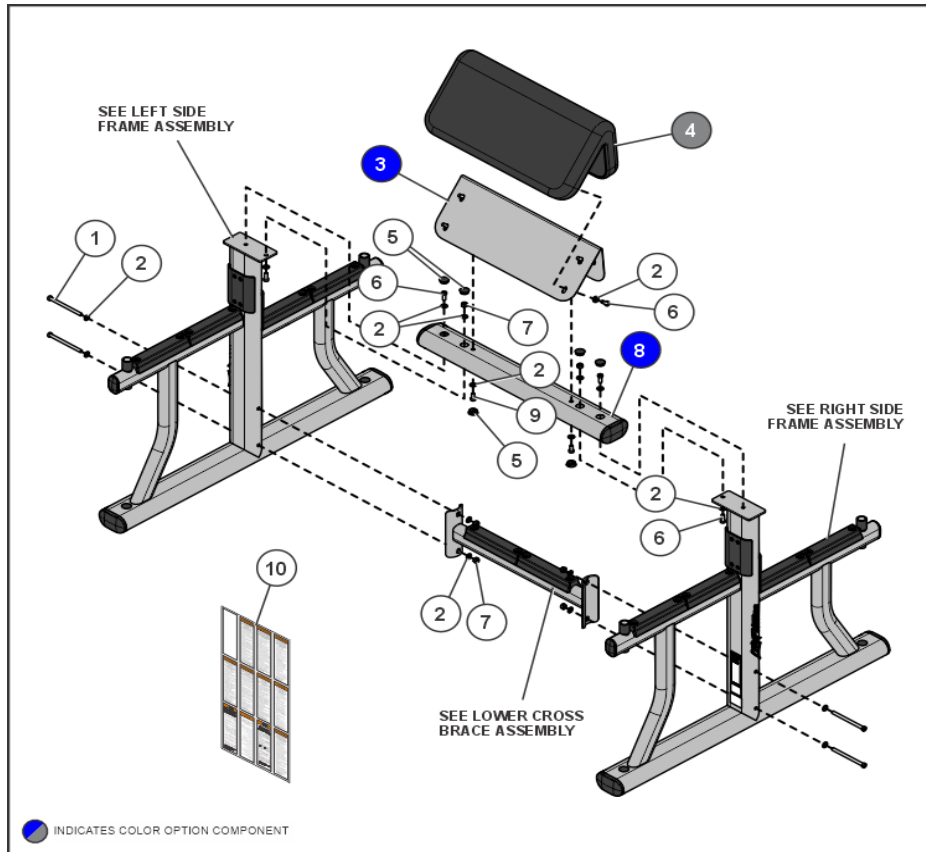
Ref #	Part Number	Qty	Description
1	8033299	1	WEAR COVER Custom
1	8033201	1	WEAR COVER Black
1	1023676-0101	1	PAD: ANGLE, LONG - DOUBLE STITCH, BLK
1	1023676-0199	1	PAD: ANGLE, LONG - DOUBLE STITCH, CUS
1	1023676-0099	1	PAD: ANGLE, LONG - SINGLE STITCH, CUS

Angle Pad Wear Cover



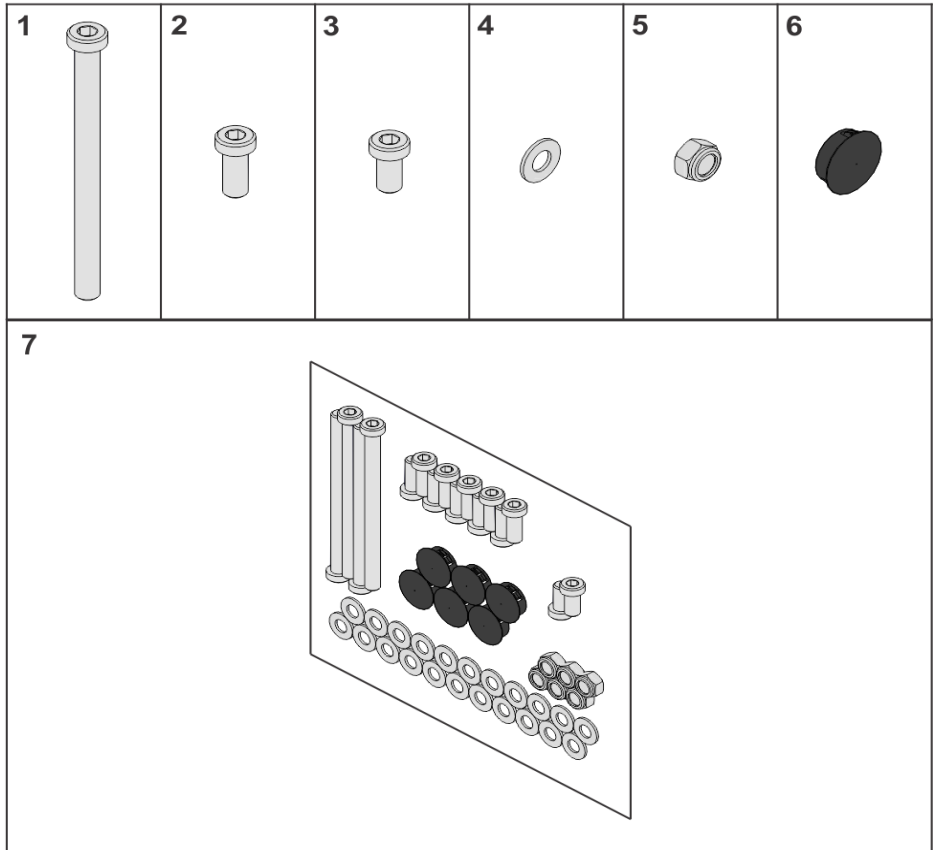
Ref #	Part Number	Qty	Description
1	1023676-0001	1	PAD: ANGLE, LONG - SINGLE STITCH, BLK

Components



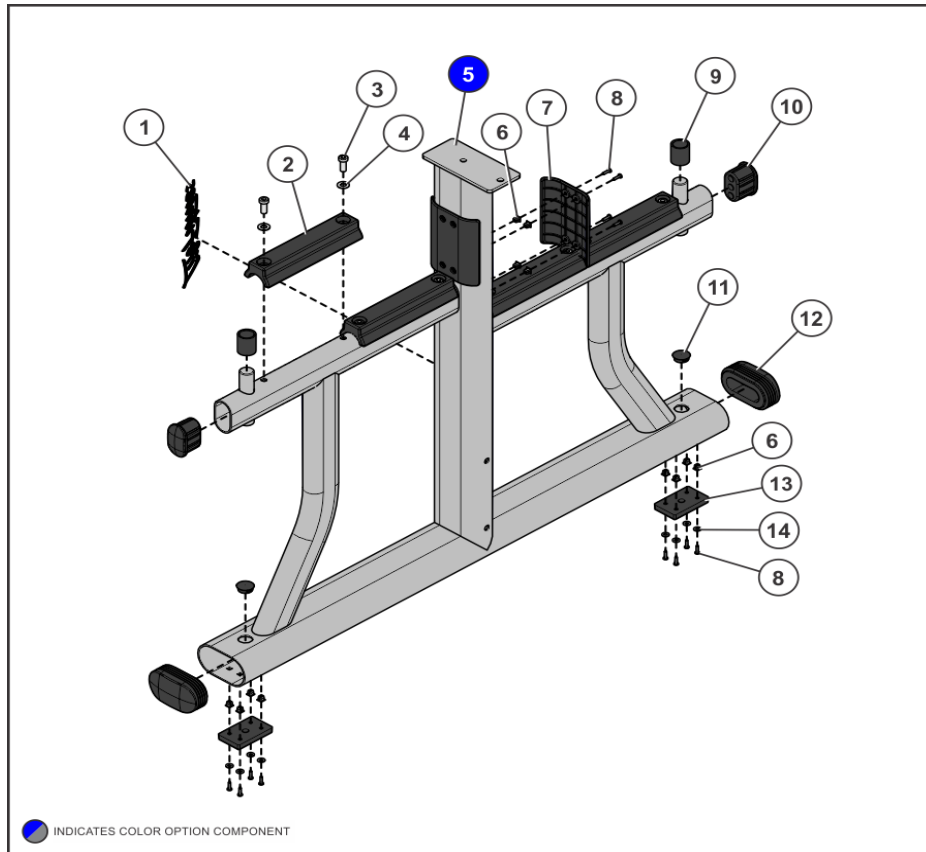
Ref #	Part Number	Qty	Description
1	3256221	4	SCREW, M10 X 1.5 135MM ZN
2	3102514	22	WASHER, FLAT 3/8 IN SAE ST ZN
3	7904700	1	WLDMT, SAC, ARM SUPPORT
4	1023676-0101	1	PAD: ANGLE, LONG - DOUBLE STITCH, BLK
4	1023676-0001	1	PAD: ANGLE, LONG - SINGLE STITCH, BLK
4	1023676-0099	1	PAD: ANGLE, LONG - SINGLE STITCH, CUS
4	1023676-0199	1	PAD: ANGLE, LONG - DOUBLE STITCH, CUS
5	3237407	6	PLUG, 1 IN HOLE
6	3256202	10	SCREW, M10 X 1.5 25MM ZN
7	3242002	6	NUT, M10 X 1.5 HEX NYLOCK
8	1023726-0000	1	ASSEMBLY: UPPER CROSS BRACE
9	3256201	2	SCREW, M10 X 1.5 X 1.5 20MM ZN
10	8137801	1	LABEL, ASTM, OLY VERT-SHEET

Hardware Kit



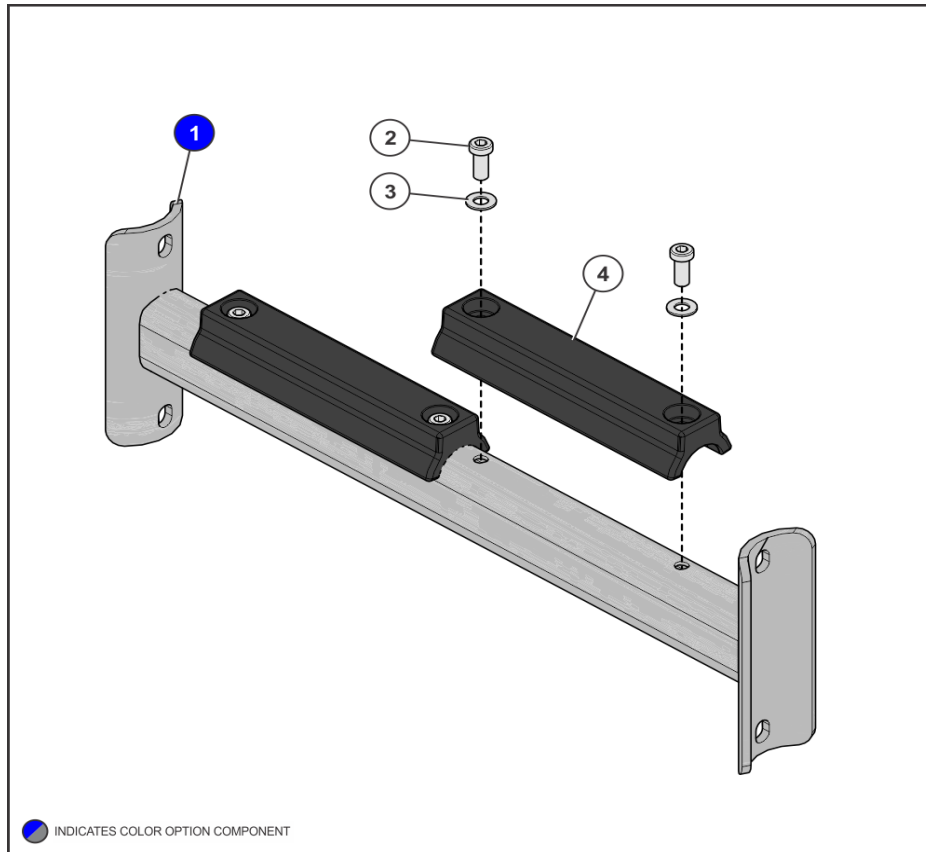
Ref #	Part Number	Qty	Description
1	3256221	4	SCREW, M10 X 1.5 135MM ZN
2	3256201	2	SCREW, M10 X 1.5 X 1.5 20MM ZN
3	3256202	10	SCREW, M10 X 1.5 25MM ZN
4	3102514	22	WASHER, FLAT 3/8 IN SAE ST ZN
5	3242002	6	NUT, M10 X 1.5 HEX NYLOCK
6	3237407	6	PLUG, 1 IN HOLE
7	1023729-0001	1	KIT: HARDWARE

Left Side Frame Assembly



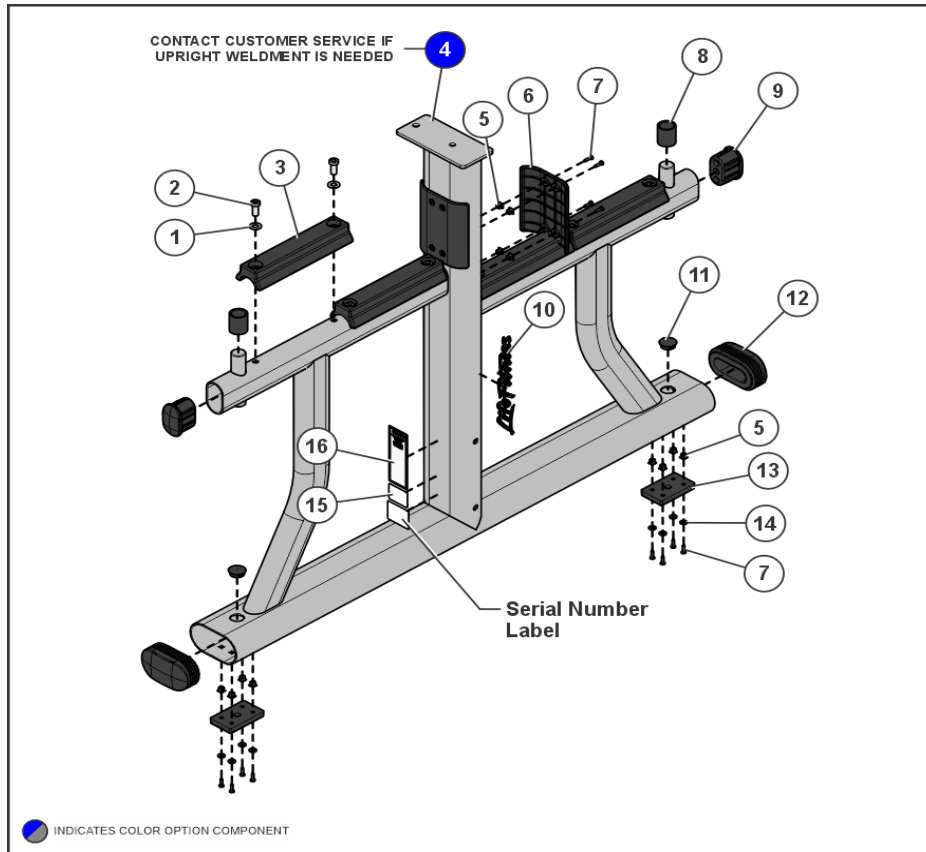
Ref #	Part Number	Qty	Description
1	7865201	1	LABEL, LIFE FITNESS LOGO, 10-0099-062, BNR
2	7878704	4	GUARD, BAR REST - NO REINFORCEMENTS - CHR
3	3256202	8	SCREW, M10 X 1.5 25MM ZN
4	3102514	8	WASHER, FLAT 3/8 IN SAE ST ZN
5	1023723-0000	1	WELDMENT: FRAME, SIDE, LEFT
6	0017-00042-1147	16	GROMMET: SCREW, 8 OR 10
7	7821703	2	GUARD, SHORT PAINT - CHR
8	3275801	16	SCREW, 8 X 3/4 DIN PHL PAN AB ST ZB
9	8101502	2	BUMPER, SLEEVE - 1 INCH DIA - CHR
10	7800502	2	CAP, SML FLOV END -CHR
11	3237407	2	PLUG, 1 IN HOLE
12	1022454-0001	2	ENDCAP: FLOV : INJ MOLDED
13	7810811	2	PAD, RUBBER FOOT -CHR
14	3114407	8	WASHER, FLAT #10 SAE ST BZ

Lower Cross Brace



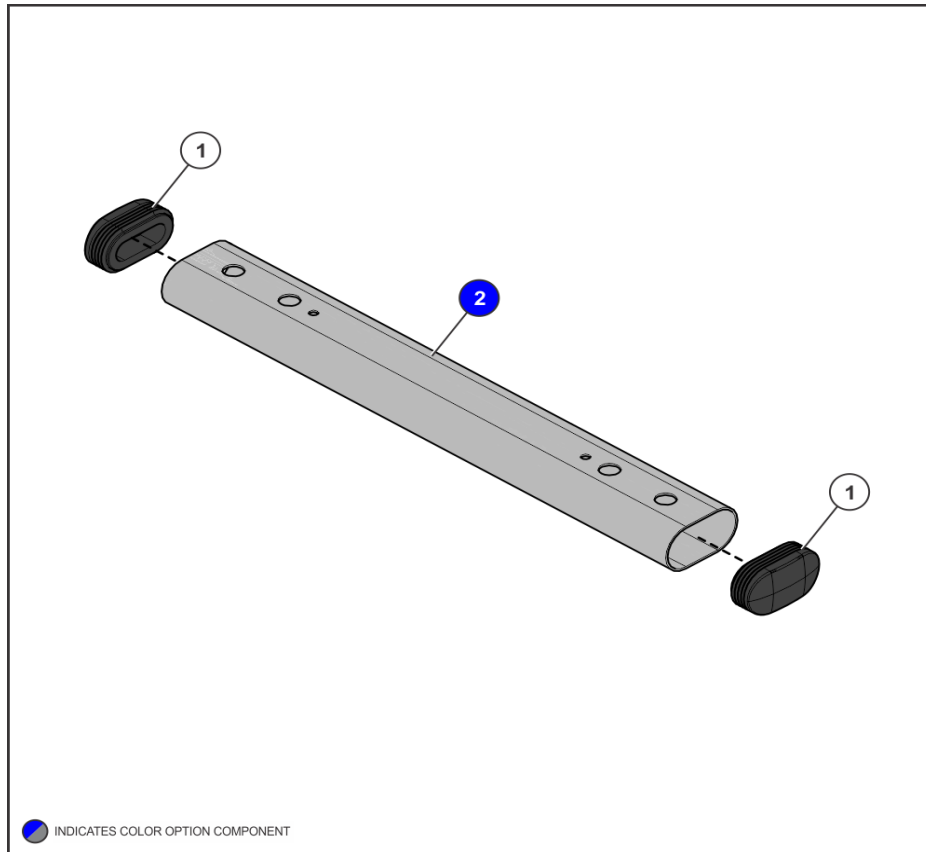
Ref #	Part Number	Qty	Description
1	7904500	1	WLDMT, SAC, BRACE
2	3256202	2	SCREW, M10 X 1.5 25MM ZN
3	3102514	2	WASHER, FLAT 3/8 IN SAE ST ZN
4	7878704	2	GUARD, BAR REST - NO REINFORCEMENTS - CHR

Right Side Frame Assembly



Ref #	Part Number	Qty	Description
1	3102514	8	WASHER, FLAT 3/8 IN SAE ST ZN
2	3256202	8	SCREW, M10 X 1.5 25MM ZN
3	7878704	2	GUARD, BAR REST - NO REINFORCEMENTS - CHR
4	1023721-0000	1	WELDMENT: FRAME, SIDE, RIGHT
5	0017-00042-1147	16	GROMMET: SCREW, 8 OR 10
6	7821703	2	GUARD, SHORT PAINT - CHR
7	3275801	16	SCREW, 8 X 3/4 DIN PHL PAN AB ST ZB
8	8101502	2	BUMPER, SLEEVE - 1 INCH DIA - CHR
9	7800502	2	CAP, SML FLOV END -CHR
10	7865201	1	LABEL, LIFE FITNESS LOGO, 10-0099-062, BNR
11	3237407	2	PLUG, 1 IN HOLE
12	1022454-0001	2	ENDCAP: FLOV : INJ MOLDED
13	7810811	2	PAD, RUBBER FOOT -CHR
14	3114407	8	WASHER, FLAT #10 SAE ST BZ
15	8137801	1	LABEL, ASTM, OLY VERT-SHEET
16	9488901	1	LABEL, INSIGNIA, FCC

Upper Cross Brace



Ref #	Part Number	Qty	Description
1	1022454-0001	2	ENDCAP: FLOV : INJ MOLDED
2	7905501	1	TUBE, SAC, 2.50 X 4.49 FLOV (WHT)

