

PLANET FITNESS INT CROSS-TRAINER SL ENG

1BOX

INX-SL-ENG-11PF

Parts Manual

4/2/2025 12:27:51 PM



Table of Contents

A Legend Description	3
Brake, Pulley, & Idler (Plastic Crank Cover)	4
Clevis Covers	5
Crank Arms (Plastic Crank Cover)	6
Deadshaft Covers & Console Back	7
Front Rollers & Communication Port	8
Handlebars, Bullhorn, & Console Mount	9
Leg Levelers, Battery, & PCB Assembly	10
Link Shrouds and Pedal Levers	11
Pedals & Miscellaneous	12
Pedal Levers Hardware	13
Power Cords	14
Rear Shrouds	15
Rocker Arms	16
Roller	17
Timing Link (Plastic Anti-Lift Bracket)	18
Upper Shrouds & Cup Holder	19
Wiring Diagram - Integrity Base with Integrity SL and Discover SE4 Consoles ...	20

A Legend Description

Integrity + Base Finished Good Example: **INT-SL-ASLHF-SW13**

IN	T	SL	ASL	H	F	SW	13
PRODUCT LINE: Integrity (INT) Club Series Plus (CS)	BASE TYPE: Treadmill (T) Cross-Trainer (X) Reclining Bike (R) Upright Bike (C)	CONSOLE CAPABILITY: Integrity SL (SL) Discover SE4 (SE4)	COLOR: Arctic Silver (ASL) Titanium (TTN) Black Onyx (BLK) Diamond White (DWT) Charcoal (CGC)	High Voltage (H) Low Voltage (L) Placeholder (X)	VERSION: Falco (F)	SERVICE WHEEL	REVISION

Arc Trainer Base Finished Good Example: **INA-LSL-TTNXF-13**

IN	A	L	SL	TTN	X	F	13
PRODUCT LINE: Integrity (IN)	BASE TYPE: Arc (A)	STYLE: Lower Body (L) Total Body (T)	CONSOLE CAPABILITY: Integrity SL (SL) Discover SE4 (SE4)	COLOR: Titanium (TTN) Arctic Silver (ASL) Black Onyx (BLK) Diamond White (DWT) Charcoal (CGC)	PLACEHOLDER	VERSION: Falco (F)	REVISION

Aspire Base Finished Good Example: **ASPT-ASLLN-12**

ASP	T	ASL	L	N	12
PRODUCT LINE: Aspire (ASP)	BASE TYPE: Treadmill (T) Cross-Trainer (X) Upright Bike (C) Reclining Bike (R)	COLOR: Arctic Silver (ASL) Charcoal (CGC)	VOLTAGE: Low (L) High (H)	VERSION: Neo (N)	REVISION

SL Console Finished Good Example: **SLA-CNSL-ENG-01**

SL	A	CNSL	ENG	01
CONSOLE TYPE: Integrity SL (SL)	BASE TYPE: Arc (A) Tread (T) PowerMill (P) Cross-Trainer / Bikes (XB)	Console (CNSL)	LANGUAGE: Three character language abbreviation	REVISION

SE4 Console Finished Good Example: **SE424T-EWXXP-01**

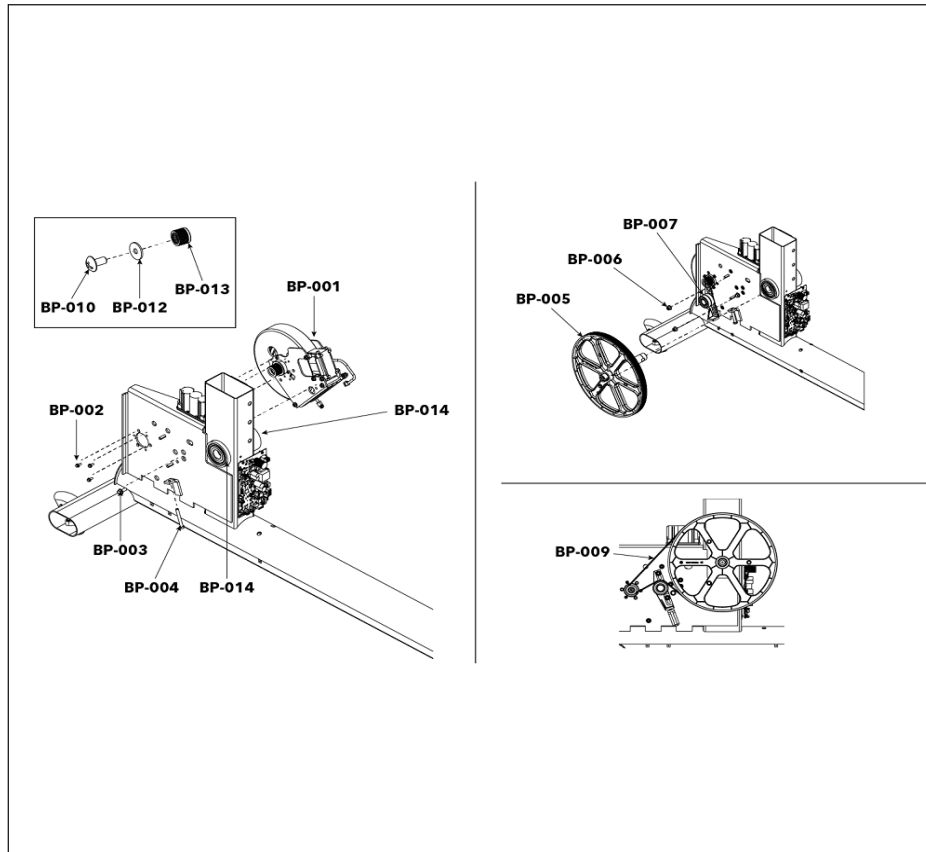
SE4	24	T	E	W	X	X	P	01
CONSOLE TYPE: Discover SE4 (SE4)	CONSOLE SIZE: 24 16	BASE TYPE: Tread (T) Non Tread (N)	LANGUAGE (Warning Label) English (E) All (A)	WIFI ENABLED: Wifi Enabled (W)	NFC or RFD: NFC (X) RFD (R)	PLACEHOLDER	TUNER TYPE: PROIDIOM/GAM (P) DVBT2/DVBC/DVBSPAL/SECAM (D) ISDBT/HTSC (S) STB SYNC (I) ATSC/QAM/NTSC (A) (on SE3/SE3HD/ST only) PROIDIOM OVER ETHERNET (E) (on SE4 only)	REVISION

PowerMill Climber Finished Good Example: **95PS-ALLXF-XX06**

95	PS	ALL	X	F	XX	06
PRODUCT LINE	BASE TYPE: Powermill (PS)	VOLTAGE: All	PLACEHOLDER	VERSION: Falco (F)	PLACEHOLDER	REVISION

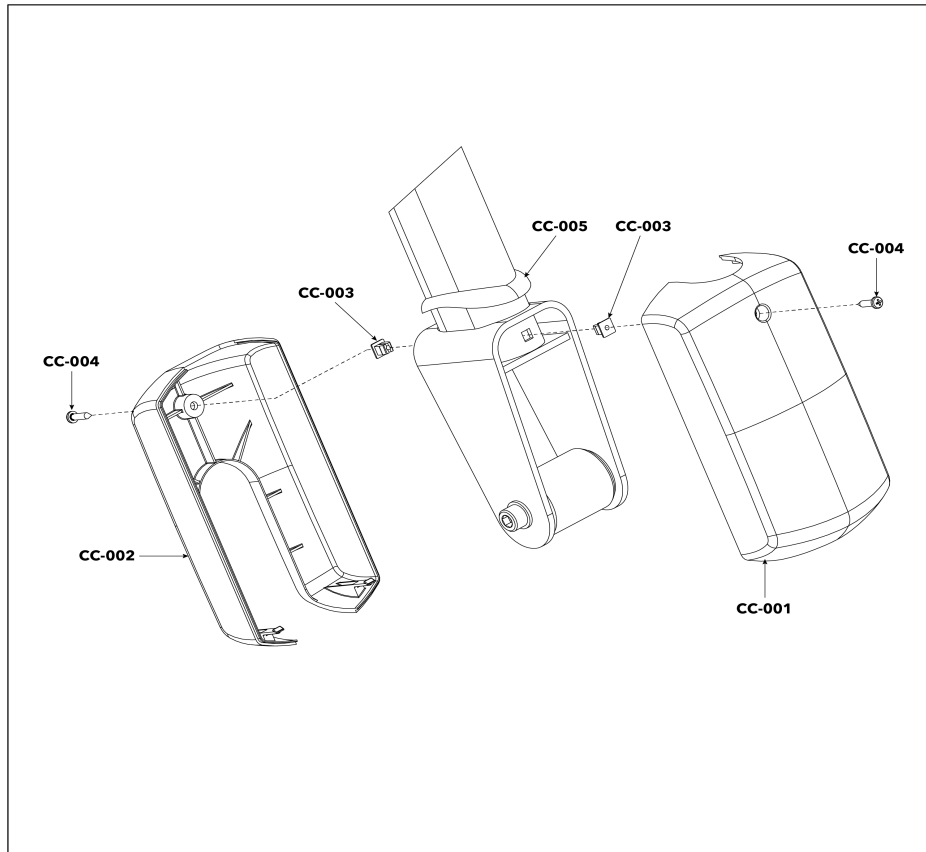
Ref #	Part Number	Qty	Description
-	LEGEND_DESCRIPTION	1	LEGEND DESCRIPTION

Brake, Pulley, & Idler (Plastic Crank Cover)



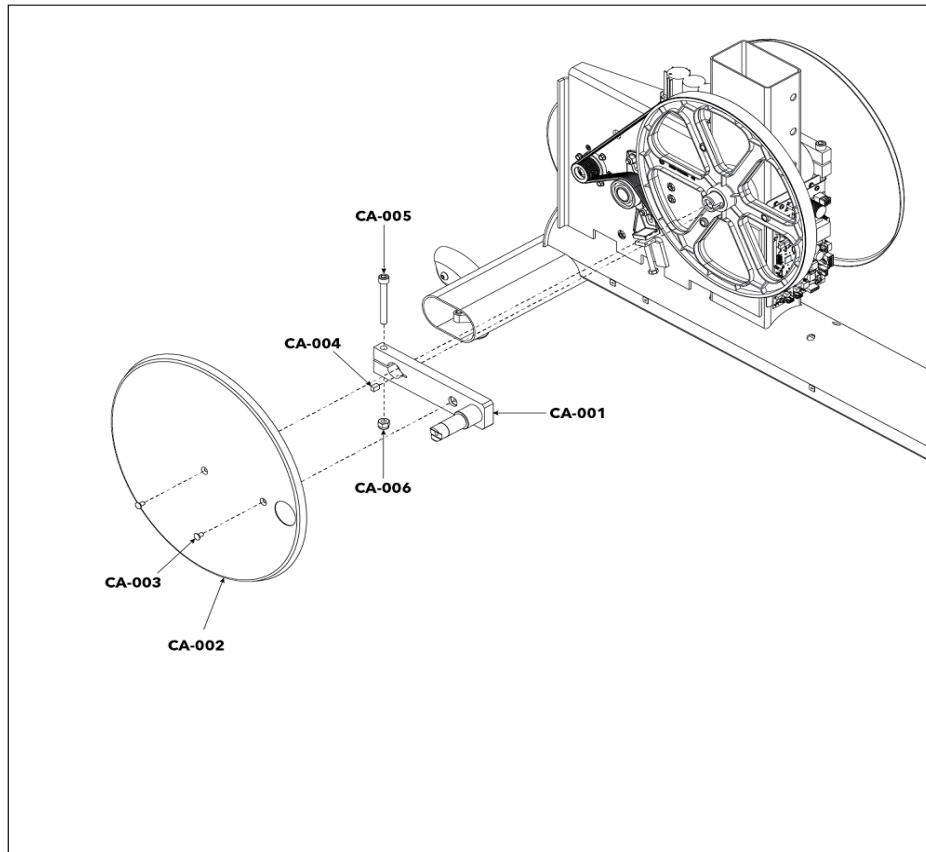
Ref #	Part Number	Qty	Description
BP-001	1003401-0001	1	GENERATOR: W/BRAKE, W/O CLUTCH, 10 RIB PULLEY
			SCREW: M5 X 0.8 6G6G X 12, FLANGE, HEAD, CS, G5, CD
BP-002	0017-00101-2151	3	
BP-003	0017-00101-2150	1	SCREW: M8 X 1.25 6G6H X 20, UHS, HXW, CS, ST, ZB
			SCREW: M8 X 1.25-6G6G X 60, DIN, UNS, HEX, CS, G5, CD
BP-004	0017-00101-2002	1	
BP-005	1012942-0000	1	PULLEY: OVERMOLD, SHAFT
BP-006	1003388-0001	2	NUT: M8 X 1.25-6H, DIN, UNF, HEX, LOCKNUT
BP-007	1001619-0001	1	ASSEMBLY: IDLER
BP-009	1002564-0001	1	BELT: POLY-V 550 J10
BP-010	0K66-01129-0000	1	SCREW: M5 X 0.5-6G6G X 10, PULLEY, GENERATOR
BP-012	0K66-01130-0000	1	WASHER: M5.5 X 18 X 1.45, PULLEY, GENERATOR
BP-013	0K69-01193-0001	1	PULLEY: GENERATOR, 10 RIB
BP-014	1012808-0001	2	BEARING: M30 X 72, BAL, ST

Clevis Covers



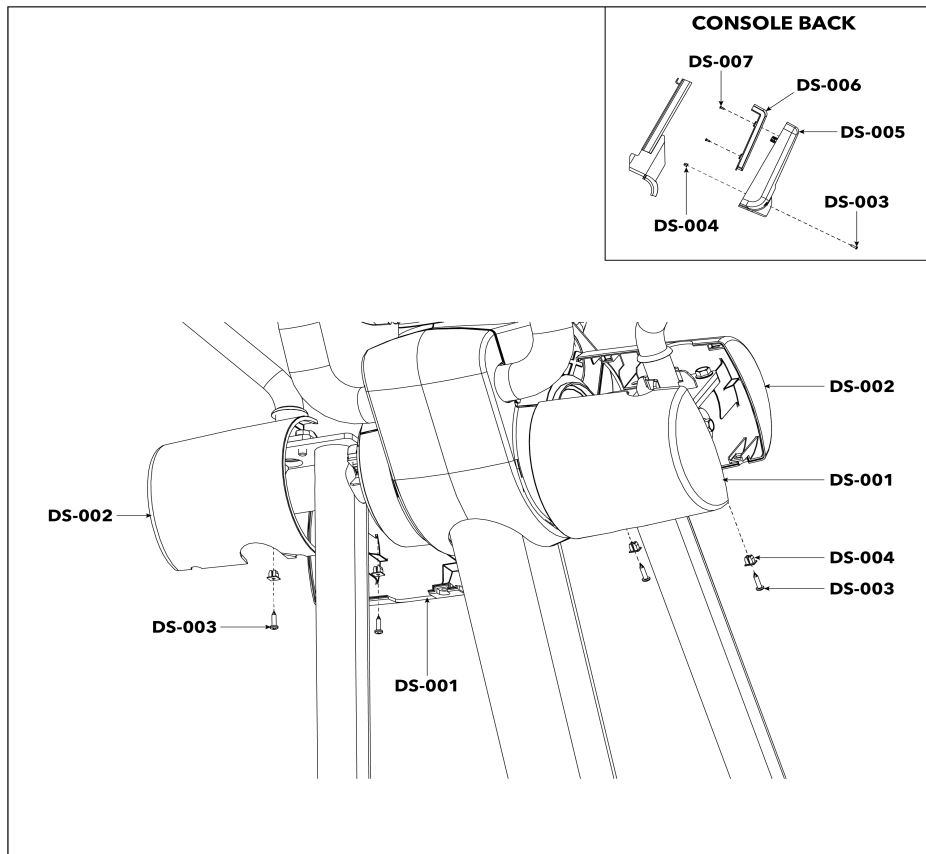
Ref #	Part Number	Qty	Description
CC-001	1002594-2400	2	SHROUD: CLEVIS, FRONT, CHARCOAL GRAY
CC-002	1002595-2400	2	SHROUD: CLEVIS, BACK, CHARCOAL GRAY
CC-003	0017-00042-1147	4	GROMMET: SCREW, 8 OR 10
CC-004	0017-00101-1796	4	SCREW: M4.2 X 0.7 6G6G X 19, DIN, PHL, PAN, AB, ST, ZB
CC-005	1002567-0000	2	GASKET: ROCKER ARM

Crank Arms (Plastic Crank Cover)



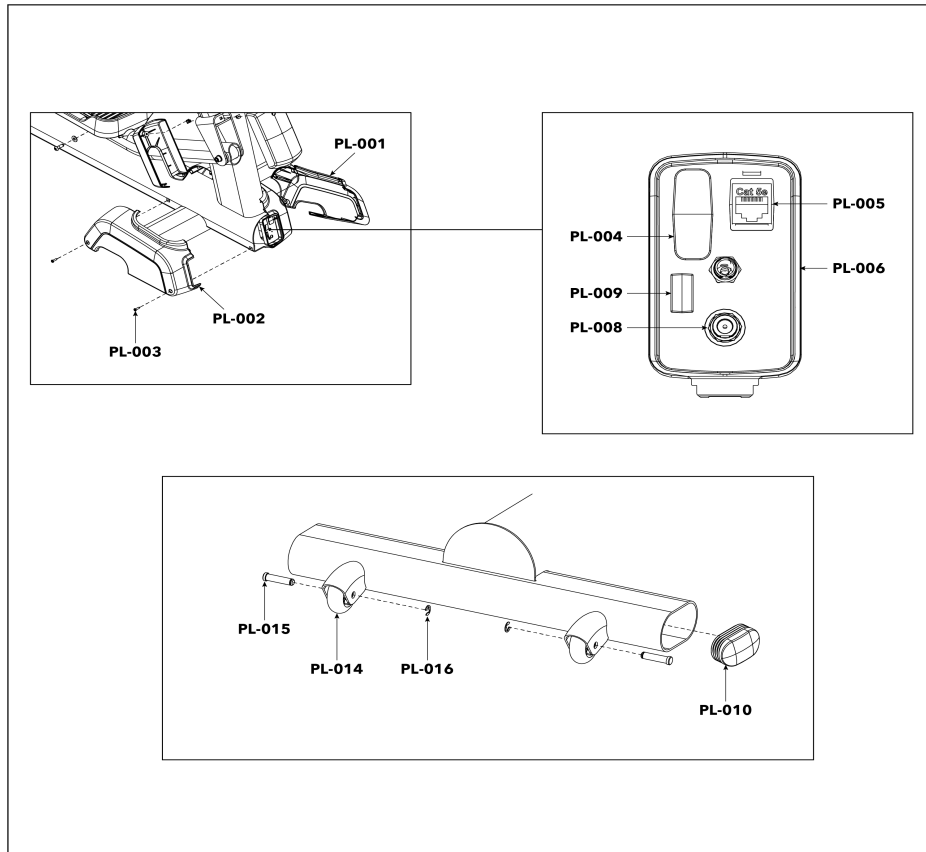
Ref #	Part Number	Qty	Description
CA-001	1012941-0001	2	WELDMENT: CRANK ARM
CA-002	1011279-0001	2	COVER: CRANK ARM
CA-003	1005398-0001	4	SCREW: M6 X 1.0 X 16, DIN, HEX, SOC, CS, ST, BO
CA-004	1002599-0001	2	KEY: 8M X 7 X 12, SQK
CA-005	1011066-0001	2	SCREW: M10 X 1.5 X 65, SHCS
CA-006	0017-00103-0334	2	NUT: M10 X 1.50-6H6H, DIN, LOCKNUT, ST, ZB

Deadshaft Covers & Console Back



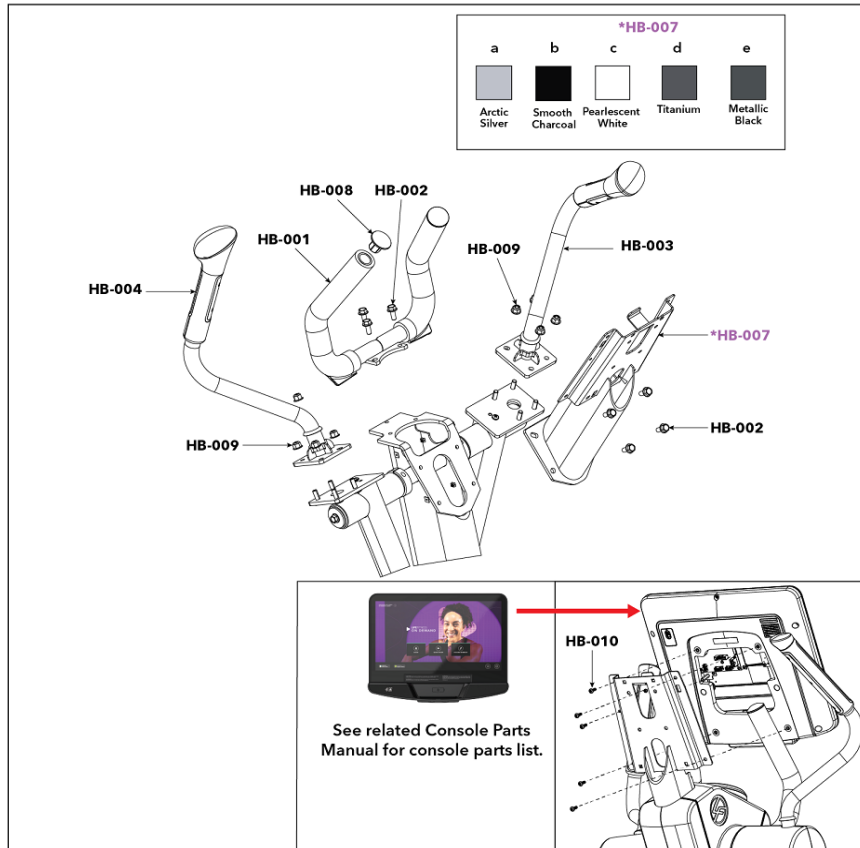
Ref #	Part Number	Qty	Description
DS-001	1002573-2400	2	SHROUD: DEADSHAFT, A, CHARCOAL GRAY
DS-002	1002574-2400	2	SHROUD: DEADSHAFT, B, CHARCOAL GRAY
DS-003	0017-00101-1796	6	SCREW: M4.2 X 0.7 6G6G X 19, DIN, PHL, PAN, AB, ST, ZB
DS-004	0017-00042-1147	6	GROMMET: SCREW, 8 OR 10
DS-005	1002578-2400	1	SHROUD: CONSOLE, BACK, CHARCOAL GRAY
DS-006	1012962-0001	1	ASSEMBLY: REAR SHROUD W/DECAL, FILLER, CHGR
DS-007	0017-00101-1650	4	SCREW: 6-19 X 6, PHL, PAN, PLT, ST, ZB, VMI

Front Rollers & Communication Port



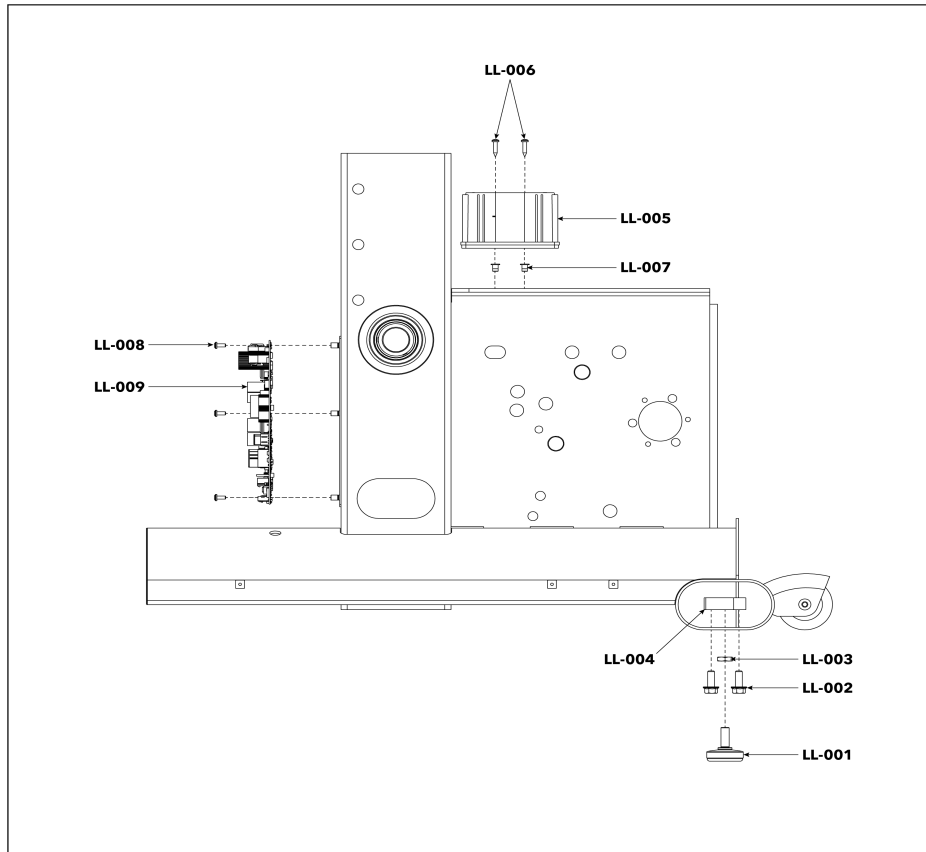
Ref #	Part Number	Qty	Description
PL-001	1002581-2400	1	SHROUD: MONOCOLUMN, LOWER, LEFT, CHARCOAL GRAY
PL-002	1002582-2400	1	SHROUD: MONOCOLUMN, LOWER, RIGHT, CHARCOAL GRAY
PL-003	0017-00101-1796	2	SCREW: M4.2 X 0.7 6G6G X 19, DIN, PHL, PAN, AB, ST, ZB
PL-004	1005393-0700	1	PLUG: HDMI, BLACK
PL-005	1004601-0001	1	PLUG: RJ45 RECEPTACLE
PL-006	1002587-2400	1	SHROUD: COMMUNICATION PORT, CHARCOAL GRAY
PL-008	1005470-0700	1	PLUG: IR PORT, BLACK
PL-009	0017-00021-2846	1	CONNECTOR: COAX, PANEL MOUNT
PL-010	1024927-0001	4	KIT: ENDCAP: FLOV : INJ MOLDED
PL-014	1010977-0001	2	WHEEL: NON-TREAD
PL-015	1011048-0001	2	CLEVIS PIN: 10mm O.D.
PL-016	1011049-0001	2	RING: M10, E-RING, ST

Handlebars, Bullhorn, & Console Mount



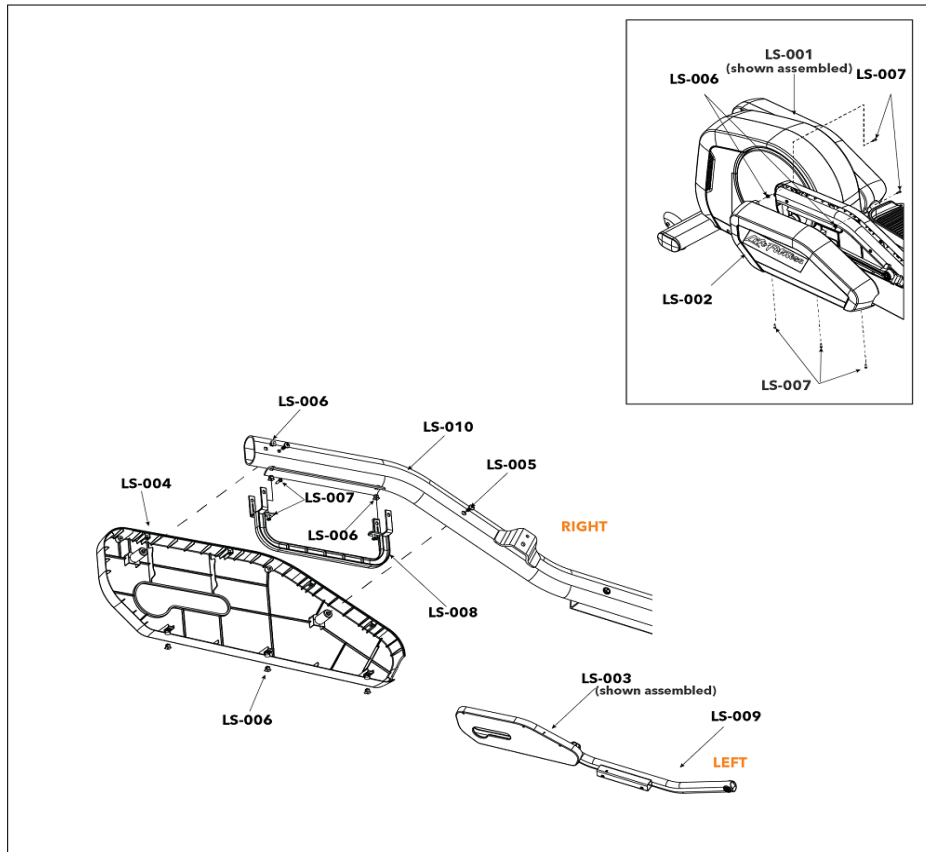
Ref #	Part Number	Qty	Description
HB-001	1001059-0700	1	WELDMENT: BULLHORN, BLACK
HB-002	0017-00101-2150	15	SCREW: M8 X 1.25 6G6H X 20, UHS, HXW, CS, ST, ZB
HB-003	1022428-0001	1	ASSEMBLY: HANDLEBAR, FEATURED, LEFT
HB-004	1022430-0001	1	ASSEMBLY: HANDLEBAR, FEATURED, RIGHT
HB-007e	1001029-7300	1	WELDMENT: CONSOLE MOUNT, METALLIC BLACK ROBUST
HB-007d	1001029-7200	1	WELDMENT: CONSOLE MOUNT TITANIUM
HB-007b	1001029-5300	1	WELDMENT: CONSOLE MOUNT, SMOOTH CHARCOAL GRAY ROBUST
HB-007a	1001029-5100	1	WELDMENT: CONSOLE MOUNT, ARCTIC SILVER ROBUST
HB-007c	1001029-7100	1	WELDMENT: CONSOLE MOUNT, PEARLESCENT WHITE ROBUST
HB-008	0K63-01114-0000	2	HANDLEBAR: ENDCAP
HB-009	1003388-0001	8	NUT: M8 X 1.25-6H, DIN, UNF, HEX, LOCKNUT
HB-010	0017-00101-1940	5	SCREW: M5 X 0.8 X 14, PHL, PAN, MS, ST, ZN

Leg Levelers, Battery, & PCB Assembly



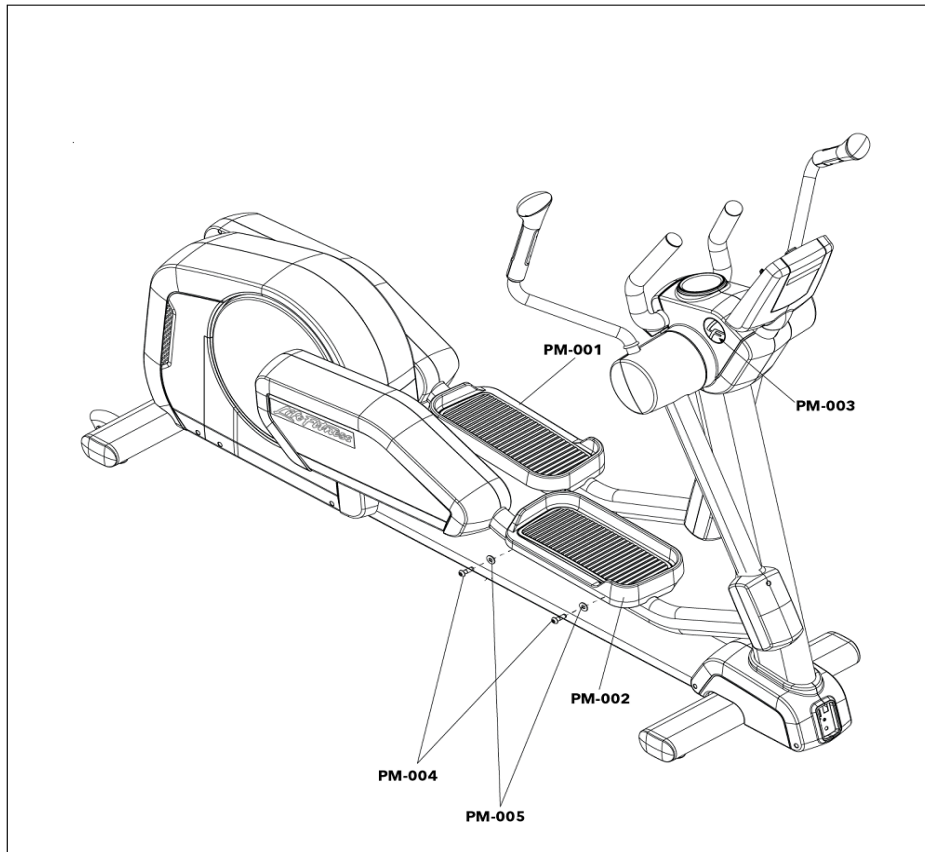
Ref #	Part Number	Qty	Description
LL-001	0K62-01178-0000	4	LEVELER: M10 X 1.50, LEG
LL-002	0017-00101-2150	8	SCREW: M8 X 1.25 6G6H X 20, UHS, HXW, CS, ST, ZB
LL-003	0017-00103-0330	4	NUT: M10 X 1.50 - 6H6H, DIN, D JAM, ST, ZB
LL-004	1001040-0001	4	BLOCK: LEVELER
LL-005	0017-00003-0685	1	BATTERY: 6 VOLT, 2.5AH C (0819-1006)
LL-006	0017-00101-1796	2	SCREW: M4.2 X 0.7 6G6G X 19, DIN, PHL, PAN, AB, ST, ZB
LL-007	0017-00042-1147	2	GROMMET: SCREW, 8 OR 10
LL-008	0017-00101-1989	5	SCREW: M4 X 6G6G X 10, PHL, PAN, ST, ZN
LL-009	1015538-0011	1	PCB ASSY: RCB MCFLY

Link Shrouds and Pedal Levers



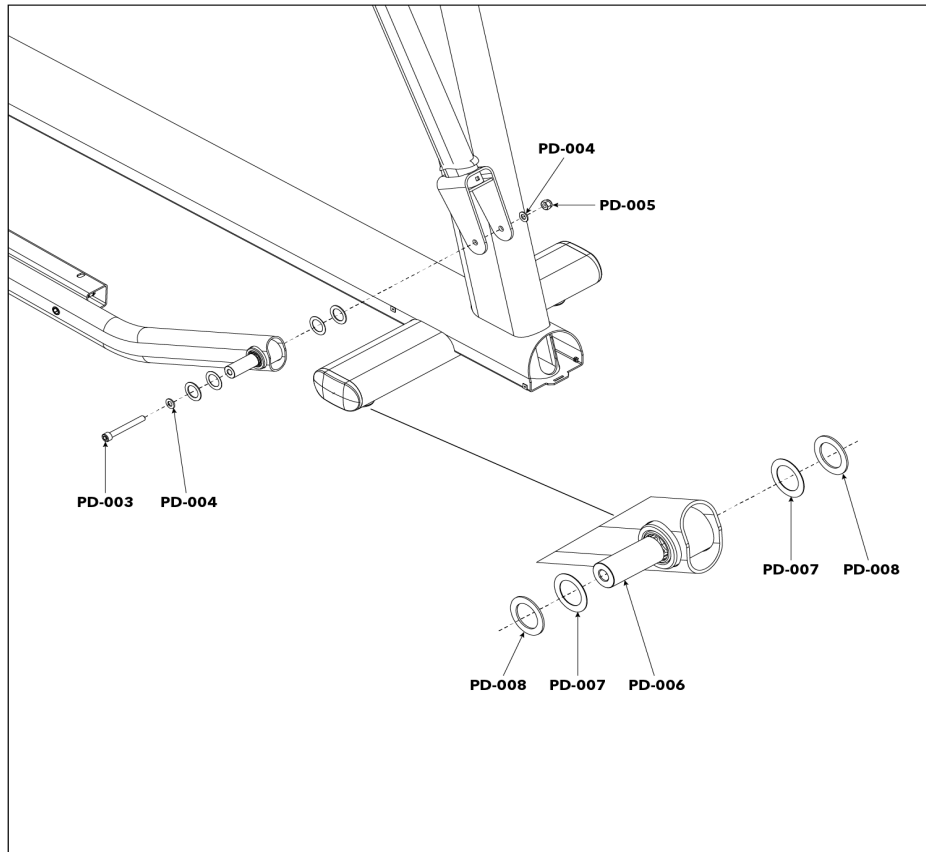
Ref #	Part Number	Qty	Description
LS-001	1023610-0001	1	ASSEMBLY: SHROUD W/DECAL, OUTER, LEFT, CHARCOAL GREY
LS-002	1023611-0001	1	ASSEMBLY: SHROUD W/DECAL OUTER, RIGHT, CHARCOAL GREY
LS-003	1002589-2400	1	SHROUD: LINK, INNER, LEFT, CHARCOAL GRAY
LS-004	1002588-2400	1	SHROUD: LINK, INNER, RIGHT, CHARCOAL GRAY
LS-005	1005249-0001	4	SCREW: M6 X 1 X 16, DIN, UNS, HXW, SERRATED, CS, ST, ZB
LS-006	0017-00042-1147	6	GROMMET: SCREW, 8 OR 10
LS-007	0017-00101-1796	6	SCREW: M4.2 X 0.7 6G6G X 19, DIN, PHL, PAN, AB, ST, ZB
LS-008	1013134-0001	1	BRACKET: LIFT GUARD
LS-009	1015237-5300	1	ASSEMBLY: PEDAL LEVER, LEFT, W/HARDWARE, CHARCOAL GRAY SMOOTH
LS-010	1015236-5300	1	ASSEMBLY: PEDAL LEVER, RIGHT, W/HARDWARE, CHARCOAL GRAY SMOOTH

Pedals & Miscellaneous



Ref #	Part Number	Qty	Description
PM-001	1008296-0001	1	ASSEMBLY: PEDAL W/LABEL; LEFT
PM-002	1006584-0001	1	PEDAL: RIGHT, FEATURED
PM-003	1022502-0001	1	ASSEMBLY: LF BUG
PM-004	0017-00101-1929	8	SCREW: M8 X 1.25-6G6G X 25, DIN, HEX, BUT, CS, ST
PM-005	0017-00104-0510	8	WASHER: M8.4 X 19 X 1.6, DIN, FLAT, ST, ZB

Pedal Levers Hardware



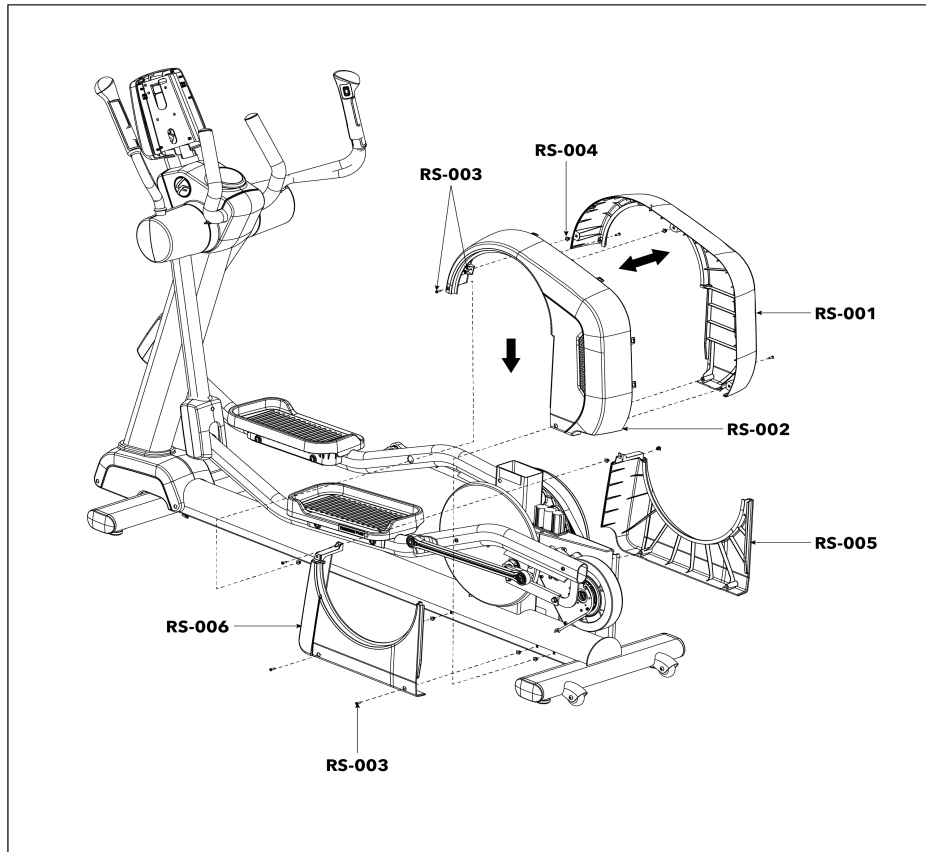
Ref #	Part Number	Qty	Description
PD-003	1000721-0001	2	SCREW: M10 X 1.5 X 85, SHCS
PD-004	0017-00104-0470	4	WASHER: M10.5 X 20 X 2, DIN, DFLAT, ST, ZB
PD-005	0017-00103-0334	2	NUT: M10 X 1.50-6H6H, DIN, LOCKNUT, ST, ZB
PD-006	0K69-01075-0000	2	SHAFT: ROCKER, FRONT
PD-007	0K69-01190-0000	4	WASHER: 1.0 INCH X 1.5, THRUST, STEEL
PD-008	0K47-01104-0000	4	WASHER: BEARING, THRUST

Power Cords

LC-001		
LC-002		
LC-003		
LC-004		
LC-005		
LC-006		

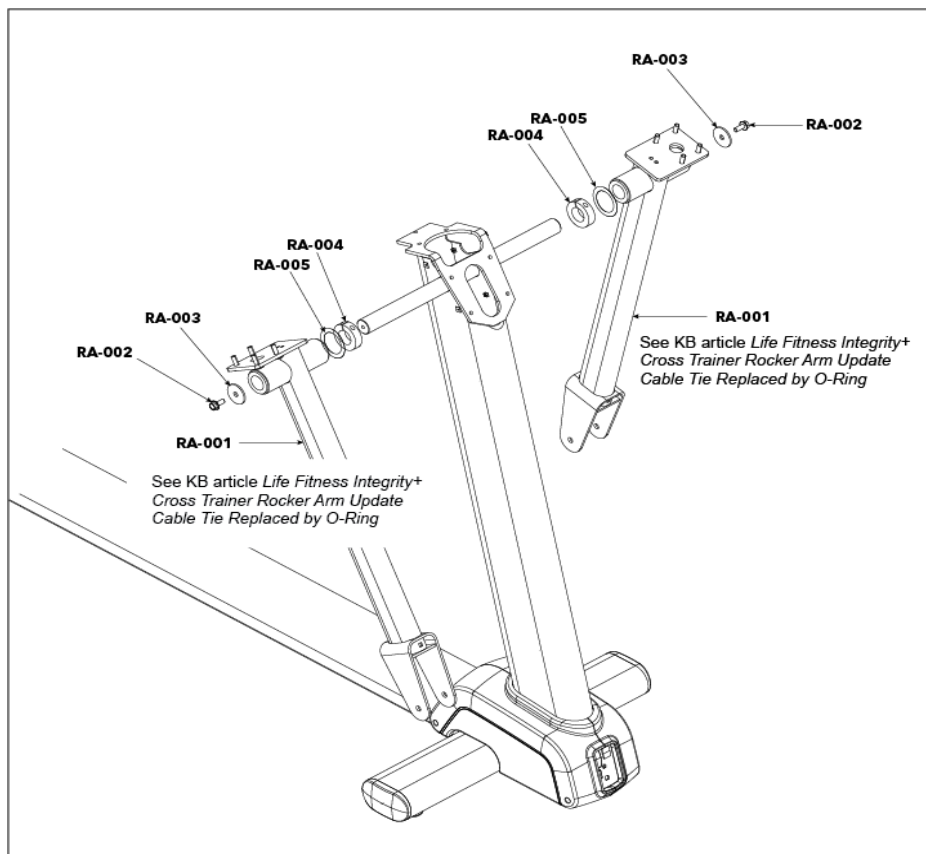
Ref #	Part Number	Qty	Description
LC-001	0017-00003-0691	1	LINE-CORD: CON 10A 250V B
LC-002	0017-00003-0704	1	LINE-CORD: DOM. 10A 125V B
LC-003	0017-00003-0889	1	LINE-CORD: 10A; U.K B
LC-004	0017-00003-0918	1	LINE-CORD: AUSTRALIA B
LC-005	0017-00003-1053	1	LINE-CORD: BRAZIL, IEC-C13
LC-006	0017-00003-1067	1	LINE-CORD: ARGENTINA, IRAM 2073, IEC-C13

Rear Shrouds



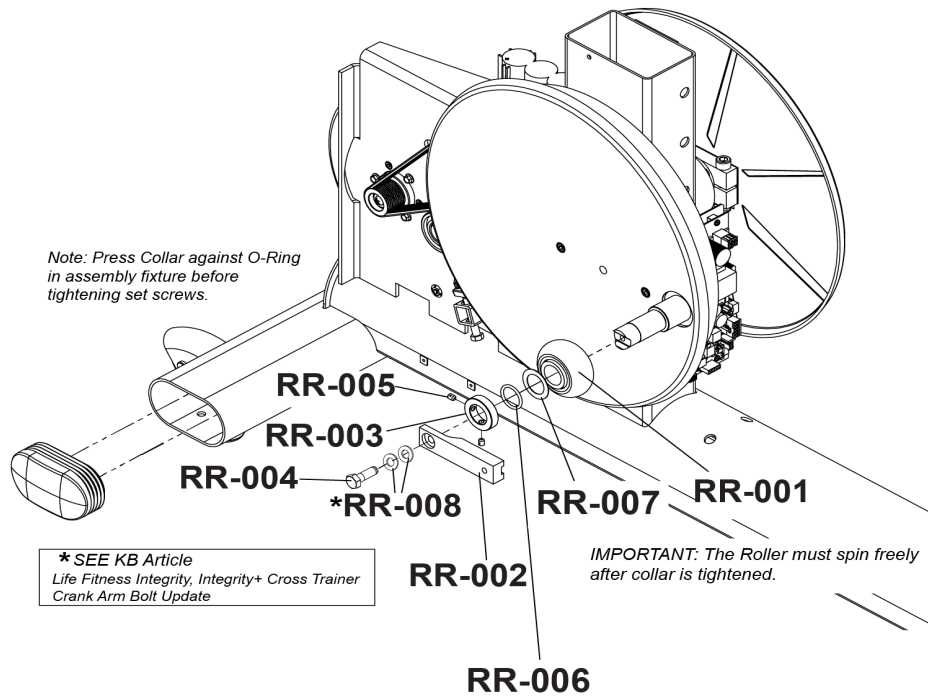
Ref #	Part Number	Qty	Description
RS-001	1002583-2400	1	SHROUD: REAR, UPPER, RIGHT, CHARCOAL GRAY
RS-002	1002584-2400	1	SHROUD: REAR, UPPER, LEFT, CHARCOAL GRAY
RS-003	0017-00101-1796	12	SCREW: M4.2 X 0.7 6G6G X 19, DIN, PHL, PAN, AB, ST, ZB
RS-004	0017-00042-1147	12	GROMMET: SCREW, 8 OR 10
RS-005	1002585-2400	1	SHROUD: REAR, LOWER, RIGHT, CHARCOAL GRAY
RS-006	1002586-2400	1	SHROUD: REAR, LOWER, LEFT, CHARCOAL GRAY

Rocker Arms



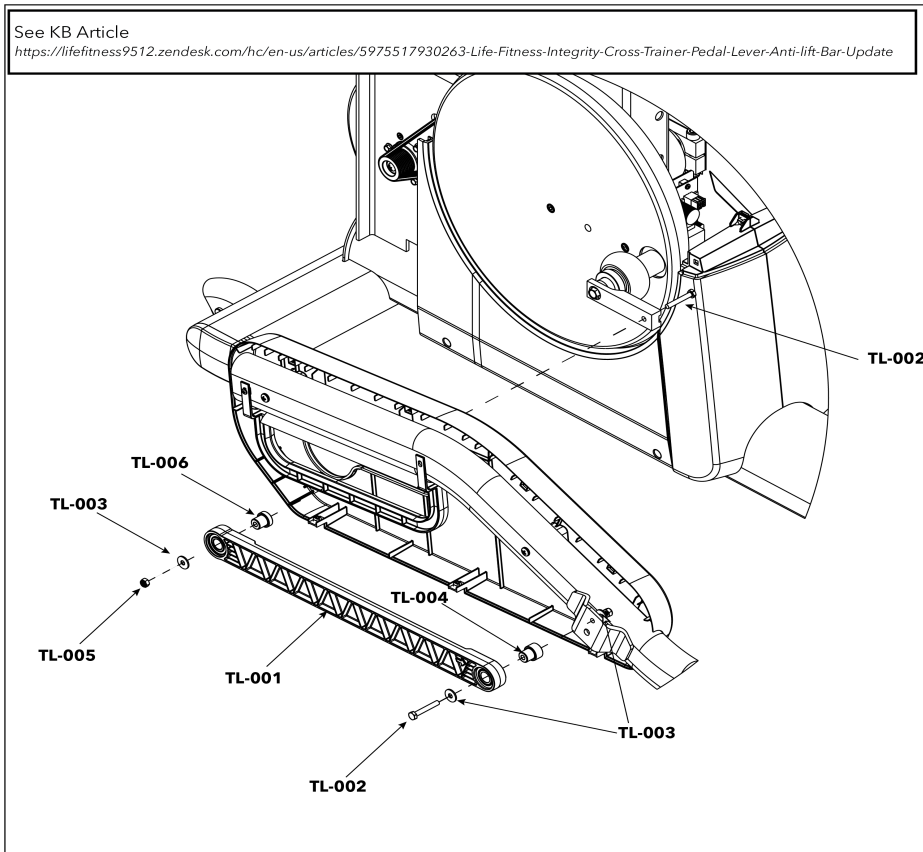
Ref #	Part Number	Qty	Description
RA-001	1012641-5301	2	ASSEMBLY: ROCKER ARM, CHARCOAL GRAY SMOOTH
RA-002	0017-00101-2150	2	SCREW: M8 X 1.25 6G6H X 20, UHS, HXW, CS, ST, ZB
RA-003	0017-00104-0454	2	WASHER: 0.390 INCH X 1.625 X 0.120
RA-004	0K69-01018-0000	2	COLLAR: 30 MM ID, SHAFT
RA-005	0017-00104-0418	2	VMI WSH 1.2-1.75-060 FL-D ST ZN B

Roller



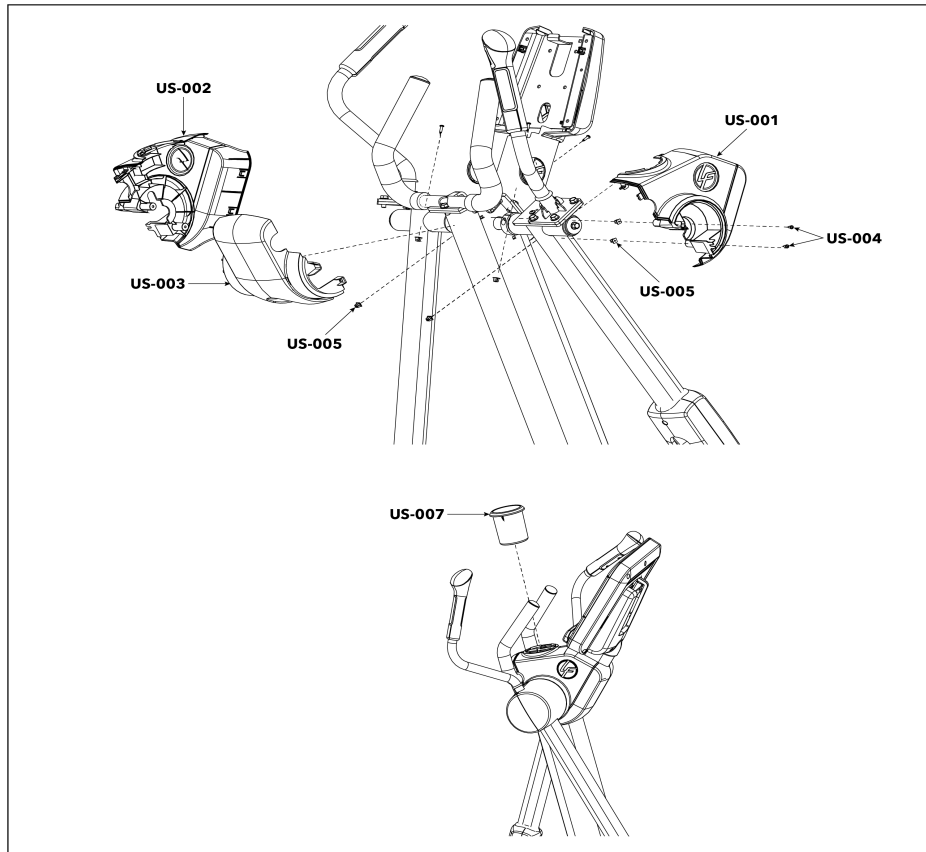
Ref #	Part Number	Qty	Description
RR-001	AK61-00063-0000	2	ASSEMBLY: ROLLER, W/BEARING
RR-002	1001015-0001	2	BAR: EXTENSION ARM
RR-003	1009112-0001	2	COLLAR: M25, SHAFT
RR-004	0017-00101-2114	2	SCR: M8.0 X 1.25-6G6G X 25 DIN UNS HEX CS ST ZB
RR-005	1009209-0001	2	SCREW: M6 X 1 X 8, CUP POINT, SET SCREW
RR-006	1023236-0001	2	O-RING: 25MM ID X 3MM
RR-007	0K69-01190-0000	2	WASHER: 1.0 INCH X 1.5, THRUST, STEEL
RR-008	0017-00104-0469	2	WASHER: M8.4 X 16.0 X 1.6, DIN, FLAT, ST, ZB

Timing Link (Plastic Anti-Lift Bracket)



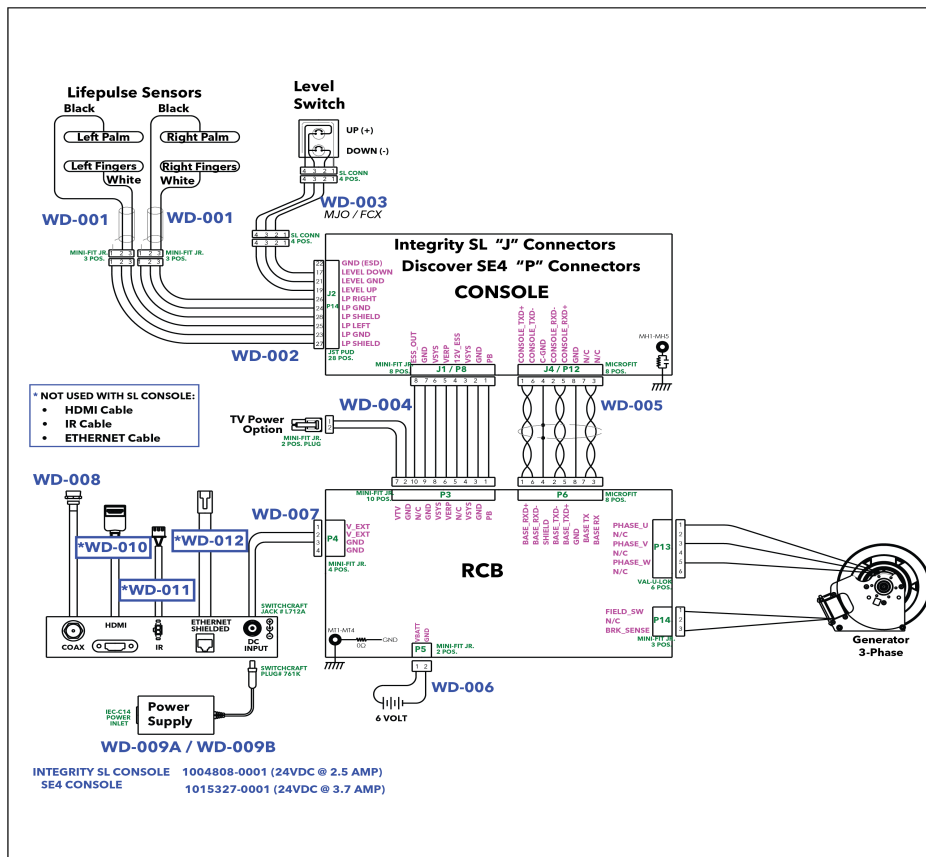
Ref #	Part Number	Qty	Description
TL-001	1012417-0001	1	ASSEMBLY: TIE ROD, W/ BRGS
TL-002	0017-00101-2064	4	SCREW: M6 X 1 X 40, HEX HEAD, CAP
TL-003	0017-00104-0468	6	WASHER: M6.4 X 18 X 1.6, DIN, FLAT, G5, ZB
TL-004	1017736-0001	2	BUSHING: BEARING, TIMING LINK
TL-005	0017-00103-0378	4	NUT: M6 X 1-6H6H, DIN, LOCKNUT, ST, BZ
TL-006	1017737-0001	2	BUSHING: BEARING, TIMING LINK

Upper Shrouds & Cup Holder



Ref #	Part Number	Qty	Description
US-001	1002575-2400	1	SHROUD: UPPER, RIGHT, CHARCOAL GRAY
US-002	1002576-2400	1	SHROUD: UPPER, LEFT, CHARCOAL GRAY
US-003	1002577-2400	1	SHROUD: UPPER, MIDDLE, CHARCOAL GRAY
US-004	0017-00101-1846	4	SCREW: M4.2 X 1.4-6G6G X 10, DIN, PHL, PAN, AB, ST, ZB
US-005	0017-00042-1147	12	GROMMET: SCREW, 8 OR 10
US-006	0017-00101-1796	8	SCREW: M4.2 X 0.7 6G6G X 19, DIN, PHL, PAN, AB, ST, ZB
US-007	1022975-0001	1	CUP HOLDER ASSY: NON TREAD, W/METAL RING

Wiring Diagram - Integrity Base with Integrity SL and Discover SE4 Consoles



Ref #	Part Number	Qty	Description
WD-001	1003871-0002	2	CABLE: LIFEPULSE ELECTRODES, 435MM
WD-002	1014604-0000	1	CABLE: MCFLY CROSSTRAINER, BASE INTERFACE
WD-003	1004559-0001	1	CABLE: KEYPAD EXTENSION
WD-004	1015794-0003	1	CABLE: MCFLY CROSSTRAINER, CONSOLE TO BASE, POWER
WD-005	1002239-0003	1	CABLE: CONSOLE TO BASE, SIGNAL, 3625MM
WD-006	AK69-00106-0000	1	CABLE ASSY: BATTERY, NON-TREADS, 26 INCH
WD-007	1003521-0003	1	CABLE: POWER, RCB TO PANEL, 5A, CROSSTRAINER
WD-008	AK65-00062-0000	1	CABLE ASSY: COAX, RG6
WD-009B	1015327-0001	1	POWER SUPPLY: 24VDC, 3.75A
WD-009A	1004808-0001	1	NC POWER SUPPLY: INPUT 100-240VAC, OUTPUT 24VDC 2.5A, 2.5MM PLUG
WD-010	1001653-0003	1	CABLE ASSY: HDMI, PANEL MOUNT, RIGHT, 1700MM
WD-011	1001671-0003	1	CABLE: IR, CONSOLE TO PANEL, 1700MM
WD-012	AK70-00092-0000	1	CABLE ASSY: CAT5E, V2, 84 INCH

