

INTEGRITY UPRIGHT LIFECYCLE® EXERCISE BIKE - 02 (INCS, INCSE, INCD, INCDE, CSLUD, CSLUDE)

CUD, CUT, IUD, IUE, IUT, PUP, PUT

PARTS MANUAL

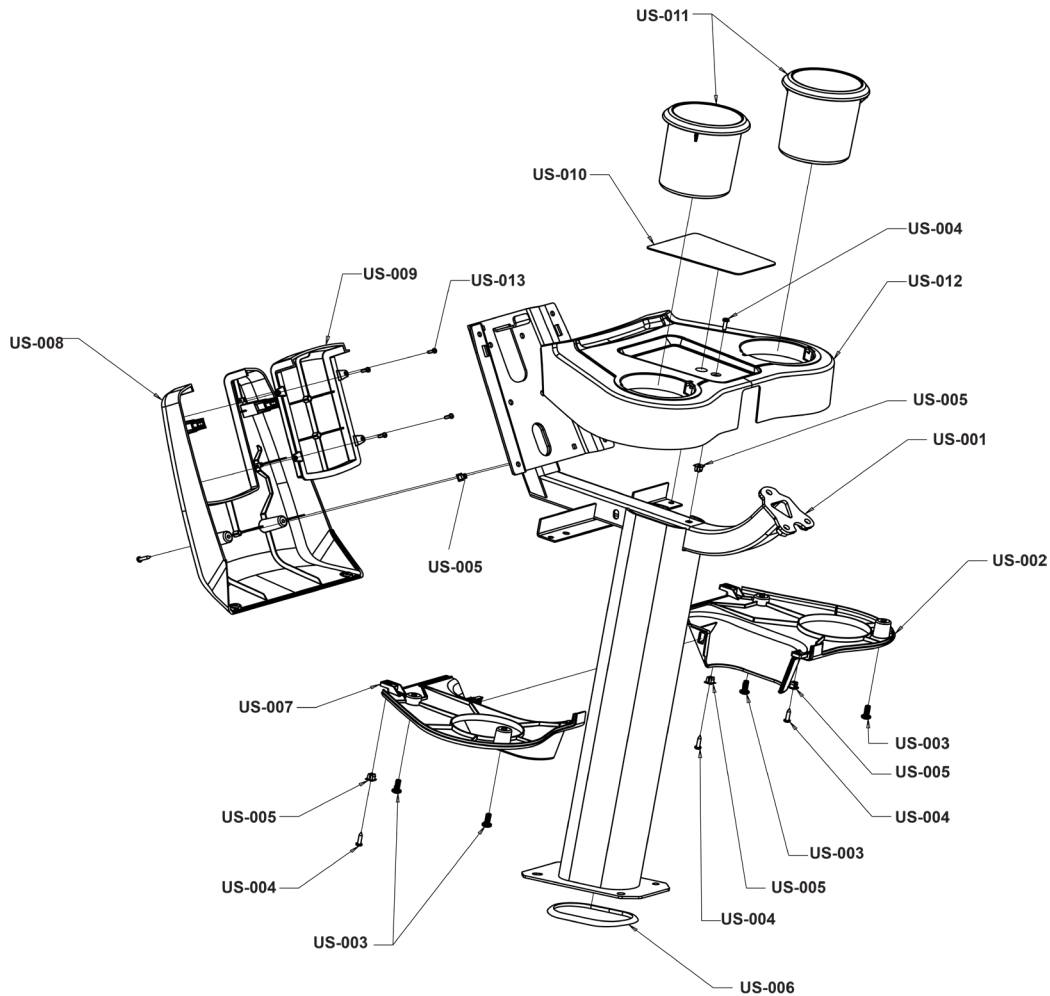
VERSION 2



Table of Contents

Upper Shrouds and Monocolumn	2
Handlebars and Activity Zone	3
Frame Shrouds	4
Plugs and Battery	5
Seat and Seat Post	6
Drivetrain	8
Pedals and Crank Arms	9
Leg Levelers, Front Roller and PCB Resistance Control	11
Wiring Diagram: Base	12
Wiring Diagram: Integrity X and C Console	13
Wiring Diagram: Discover Console	14
Power Cords	15

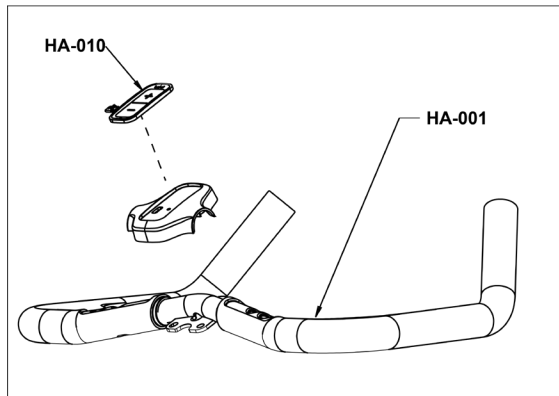
Upper Shrouds and Monocolumn



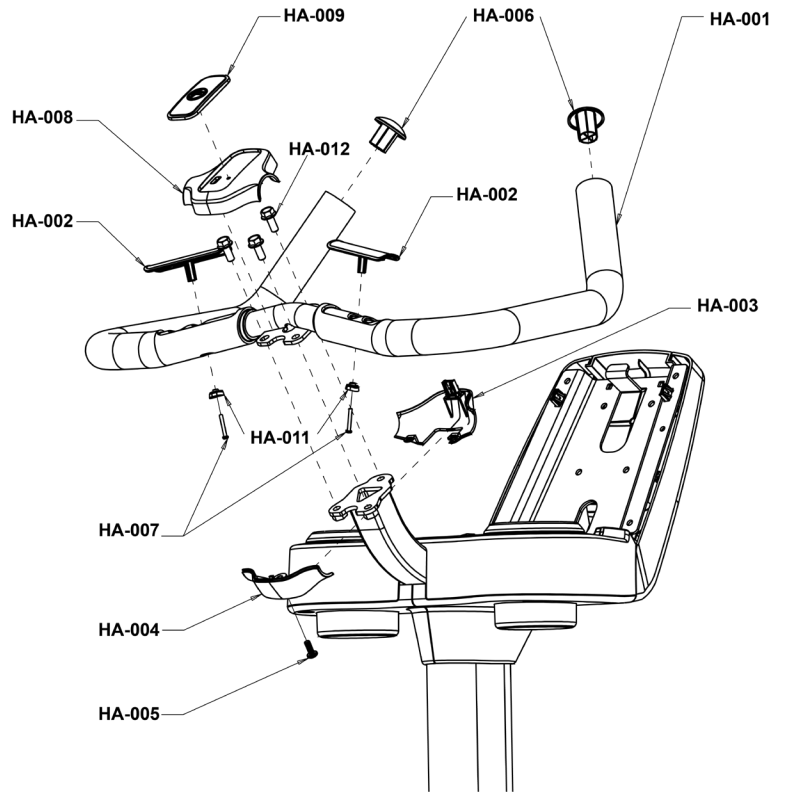
Parts List

Item	Alpha Code	Part Number	Description (Quantity)
US-001	IUT, IUE, IUD	1001523-5100	WELDMNT: MONOCOLUMN, ARCTIC SILVER ROBUST
	IUT, IUE	1001523-7100	WELDMNT: MONOCOLUMN, UPRIGHT, PEARLESCENT WHITE ROBUST
	CUD, CUT, IUT, IUE	1001523-7200	WELDMNT: MONOCOLUMN, TITANIUM ROBUST
	IUT, IUE, IUD	1001523-7300	WELDMNT: MONOCOLUMN, UPRIGHT, METALLIC BLACK ROBUST
	PUB, PUT	1012966-0001	ASSEMBLY: MONOCOLUMN W/DECAL, PURPLE, ROBUST
US-002	CUD, CUT, IUD, IUE, IUT, PUB, PUT	1001606-2400	SHROUD: BOTTOM, RIGHT, CHARCOAL GREY
US-003	CUD, CUT, IUD, IUE, IUT, PUB, PUT	0017-00101-2138	SCREW: M6x1.0x16 DIN PHL PAN MS ST ZB (4)
US-004	CUD, CUT, IUD, IUE, IUT, PUB, PUT	0017-00101-1796	SCREW: M4.2 X 0.7 6g6g X 19 DIN PHL PAN AB ST ZB (5)
US-005	CUD, CUT, IUD, IUE, IUT, PUB, PUT	0017-00042-1147	GROMMET: SCREW; 8 OR 10US-005 (4)
US-006	CUD, CUT, IUD, IUE, IUT, PUB, PUT	1003232-0700	GASKET: MONOCOLUMN, BLACK
US-007	CUD, CUT, IUD, IUE, IUT, PUB, PUT	1001607-2400	SHROUD ASSEMBLY: BOTTOM, LEFT, CHARCOAL GREY
US-008	CUD, CUT, IUD, IUE, IUT, PUB, PUT	1001608-2400	SHROUD: REAR, CHARCOAL GREY
US-009	CUD, CUT, IUD, IUE, IUT, PUB, PUT	1012962-0001	ASSEMBLY: REAR SHROUD W/ DECAL, FILLER, CHARCOAL GREY
US-010	CUD, CUT, IUD, IUE, IUT, PUB, PUT	1001610-0700	PAD: UPRIGHT TRAY, BLACK
US-011	CUD, CUT, IUD, IUE, IUT, PUB, PUT	1001034-2400	CUPHOLDER: LOCKING, CHARCOAL GREY (2)
US-012	CUD, CUT, IUD, IUE, IUT, PUB, PUT	1001605-2400	SHROUD ASSEMBLY: TOP, CHARCOAL GREY
US-013	CUD, CUT, IUD, IUE, IUT, PUB, PUT	0017-00101-1650	SCREW: VMI 6-19X 6 PHL PAN PLT ST BZ B (4)
	CUD, CUT, IUD, IUE, IUT, PUB, PUT	0017-00101-1940	SCREW: M5 X 0.8 X 14, PHL, PAN, MS, ST, ZN (5) (for mounting console) NOT SHOWN

Handlebars and Activity Zone



Featured

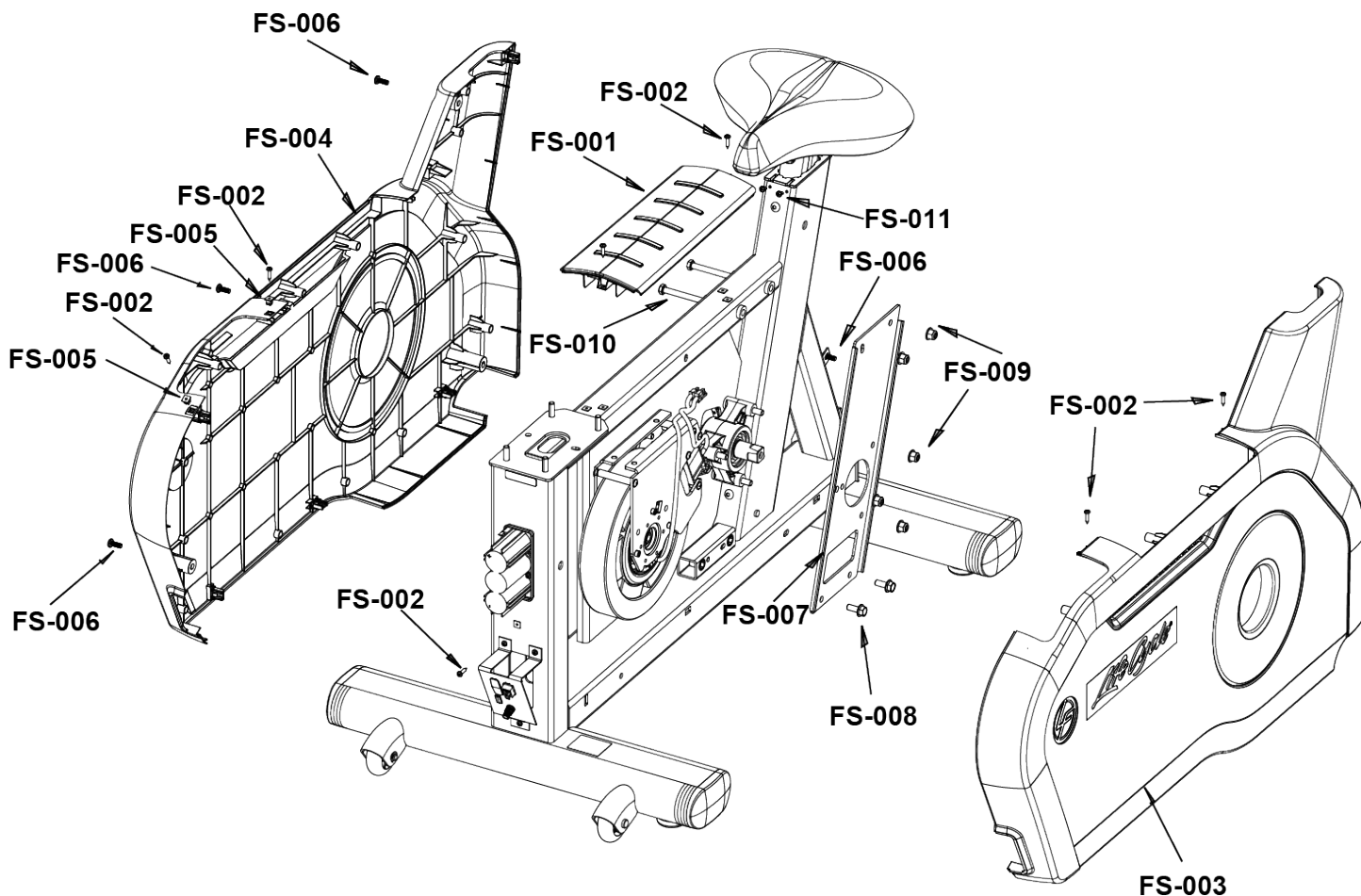


Simple

Parts List

Item	Alpha Code	Part Number	Description (Quantity)
HA-001	IUT, PUT, PUB, IUD	1001562-0700	HANDLEBAR: UPRIGHT, SIMPLE, BLACK
	CUD, CUT, IUT, IUE	1001563-0700	HANDLEBAR: UPRIGHT, FEATURED, BLACK
HA-002	CUD, CUT, IUD, IUE, IUT, PUB, PUT	AK63-00014-XXXX	ELECTRODE: INSERT MOLDED; CHGR (2)
HA-003	CUD, CUT, IUD, IUE, IUT, PUB, PUT	1001631-2400	SHROUD: ACTIVITY ZONE, BOTTOM FRONT, CHARCOAL GREY
HA-004	CUD, CUT, IUD, IUE, IUT, PUB, PUT	1001630-2400	SHROUD: ACTIVITY ZONE, BOTTOM REAR, CHARCOAL GREY
HA-005	CUD, CUT, IUD, IUE, IUT, PUB, PUT	0017-00101-2138	SCREW: M6x1.0x16 DIN PHL PAN MS ST ZB
HA-006	CUD, CUT, IUD, IUE, IUT, PUB, PUT	0K63-01114-XXXX	ENDCAP, HANDLEBAR (2)
HA-007	CUD, CUT, IUD, IUE, IUT, PUB, PUT	0017-00101-1720	SCREW: 6-19X16 PHL PAN (2)
HA-008	CUD, CUT, IUD, IUE, IUT, PUB, PUT	1001629-2400	SHROUD: ACTIVITY ZONE, TOP FEATURED, CHARCOAL GREY
HA-009	IUT, PUT, IUD, PUB	1001632-0700	SHROUD: ACTIVITY ZONE, SIMPLE FILLER, BLACK
HA-010	CUD, CUT, IUT, IUE	1001633-0000	KEYPAD: UP, DOWN
HA-011	CUD, CUT, IUD, IUE, IUT, PUB, PUT	0K66-01141-XXXX	PLUG: INSULATOR (2)
HA-012	CUD, CUT, IUD, IUE, IUT, PUB, PUT	0017-00101-2150	SCREW: M8 X 1.25 X 6G6H X 20 UHS HXW CS ST ZB (3)

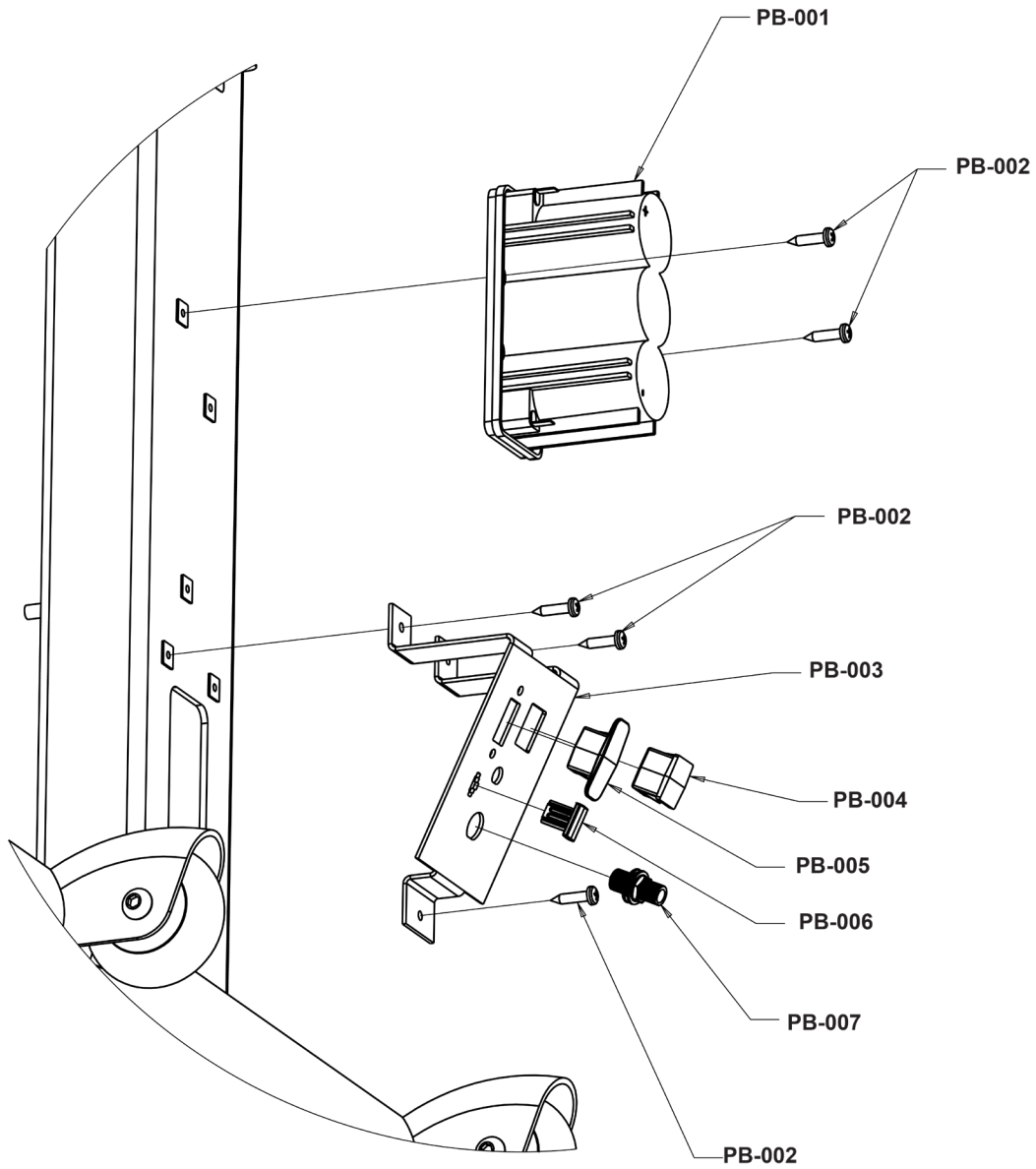
Frame Shrouds (Left, Right, and Top Cover)



Parts List

Item	Alpha Code	Part Number	Description (Quantity)
FS-001	CUD, CUT, IUD, IUE, IUT, PUB, PUT	1001595-0700	SHROUD: TOP COVER, BLACK
FS-002	CUD, CUT, IUD, IUE, IUT, PUB, PUT	0017-00101-1796	SCREW: M4.2 X 0.7 6g6g X 19 DIN PHL PAN AB ST ZB (7)
FS-003	CUD, CUT, IUT, IUE, IUD	1012960-0001	ASSEMBLY: SHROUD W/ DECAL, MAIN, LEFT, CHARCOAL GREY
	PUT, PUB	1012964-0001	ASSEMBLY: SHROUD W/DECAL, MAIN, LEFT, PLANET
FS-004	CUD, CUT, IUT, IUE, IUD	1012961-0001	ASSEMBLY: SHROUD W/ DECAL, MAIN, RIGHT, CHARCOAL GREY
	PUT, PUB	1012965-0001	ASSEMBLY: SHROUD W/DECAL, MAIN, RIGHT, PLANET
FS-005	CUD, CUT, IUD, IUE, IUT, PUB, PUT	0017-00042-1147	GROMMET: SCREW (2)
FS-006	CUD, CUT, IUD, IUE, IUT, PUB, PUT	0017-00101-2138	SCREW: M6x1.0x16 DIN PHL PAN MS ST ZB (4)
FS-007	CUD, CUT, IUD, IUE, IUT, PUB, PUT	1012903-0001	SHEET METAL: HUB SUPPORT
FS-008	CUD, CUT, IUD, IUE, IUT, PUB, PUT	0017-00101-2150	SCREW: M8 X 1.25 X 6G6H UHS HXW CS ST ZB (2)
FS-009	CUD, CUT, IUD, IUE, IUT, PUB, PUT	1003388-0001	NUT: M8 X 1.25 HEX LOCKNUT (5)
FS-010	CUD, CUT, IUD, IUE, IUT, PUB, PUT	0017-00101-1944	SCREW: M8 X 80 HEX CX G5 (2)
FS-011	CUD, CUT, IUD, IUE, IUT, PUB, PUT	0017-00101-1968	SCREW: M4 X 10 PHL PAN TT ST ZS (4)

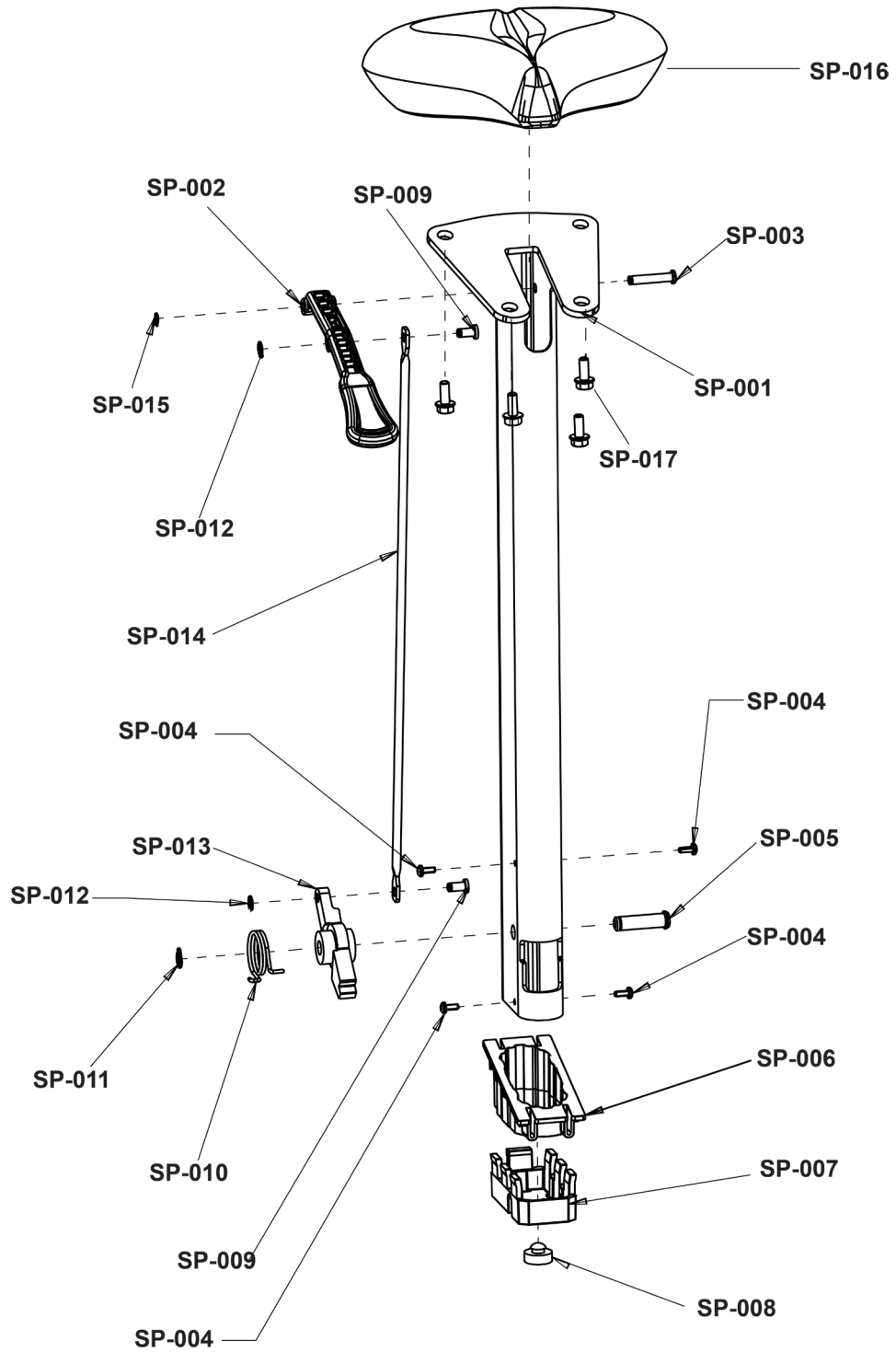
Plugs and Battery



Parts List

Item	Alpha Code	Part Number	Description (Quantity)
PB-001	CUT, IUT, PUT	0017-00003-0685	BATTERY: 6 VOLT
PB-002	CUD, CUT, IUD, IUE, IUT, PUB, PUT	0017-00101-1796	SCREW: M4.2 X 0.7 6g6g X 19 DIN PHL PAN AB ST ZB (5)
PB-003	CUD, CUT, IUD, IUE, IUT, PUB, PUT	1001537-0001	SHEET METAL:BRACKET, COM PORT
PB-004	CUT, IUT, PUT, PUB	1004601-0001	PLUG: RJ45 RECEPTACLE
	CUD, IUE, IUD	0017-00021-3195	COUPLER: CAT5E, SHIELDED, RJ45
PB-005	CUT, IUT, PUT, PUB	1005393-0700	PLUG: HDMI, BLACK
PB-006	CUT, IUT, PUT, PUB	1005470-0700	PLUG: IR PORT, BLACK
PB-007	CUD, CUT, IUD, IUE, IUT, PUB, PUT	0017-00021-2846	F-CONNECTOR: COAX, PANEL MOUNT

Seat and Seat Post



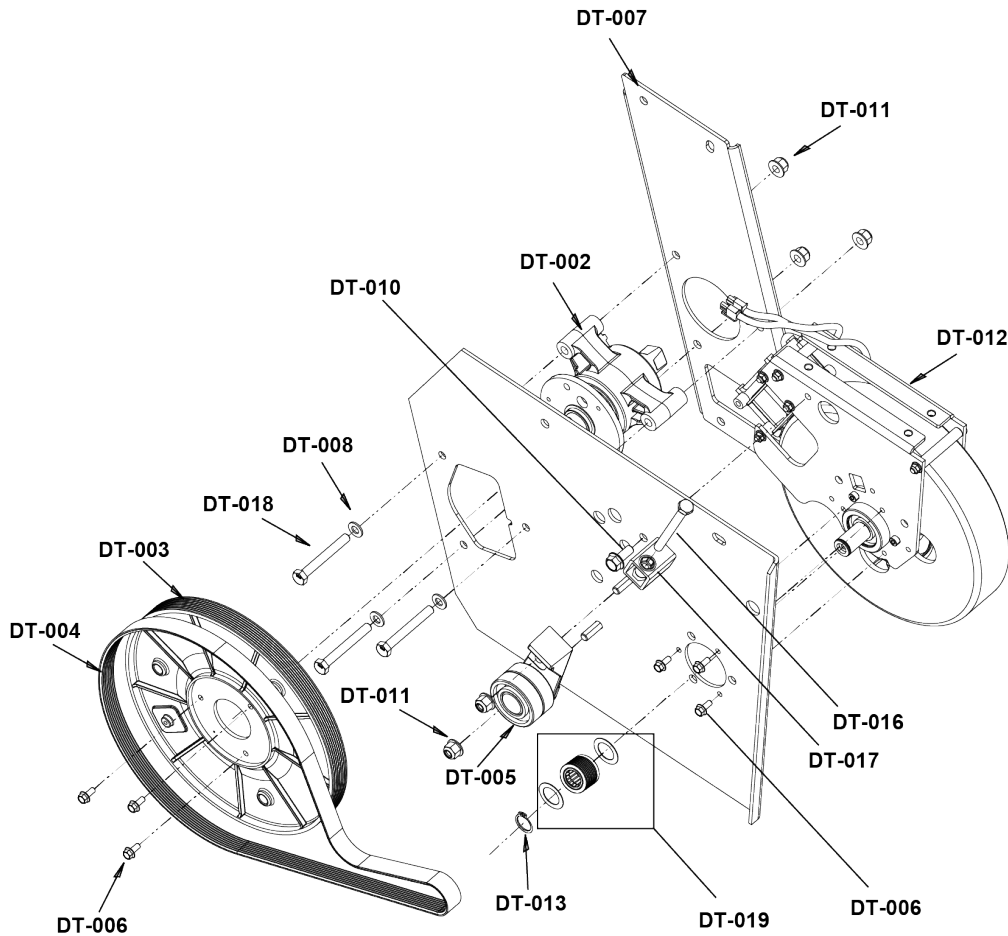
Parts listed on following page.

Seat and Seat Post *(continued)*

Parts List

Item	Alpha Code	Part Number	Description (Quantity)
SP-001	CUD, CUT, IUD, IUE, IUT, PUB, PUT	1012963-0001	ASSEMBLY: SEAT POST W/ DECAL
SP-002	CUD, CUT, IUD, IUE, IUT, PUB, PUT	1001615-0500	HANDLE: UPRIGHT SEAT ADJUSTMENT, RED
SP-003	CUD, CUT, IUD, IUE, IUT, PUB, PUT	1001557-0001	PIN: PIVOT, HANDLE
SP-004	CUD, CUT, IUD, IUE, IUT, PUB, PUT	0017-00101-1968	M4 X 0.7 X 10 PHL PAN TT ST ZS (4)
SP-005	CUD, CUT, IUD, IUE, IUT, PUB, PUT	1001558-0001	PIN: PIVOT, LATCH
SP-006	CUD, CUT, IUD, IUE, IUT, PUB, PUT	1001555-0001	BUSHING: SEAT POST, UPPER
SP-007	CUD, CUT, IUD, IUE, IUT, PUB, PUT	1001556-0001	BUSHING: SEAT POST, LOWER
SP-008	CUD, CUT, IUD, IUE, IUT, PUB, PUT	0K77-01066-0000	BUMPER: EPDM
SP-009	CUD, CUT, IUD, IUE, IUT, PUB, PUT	0K77-01028-0000	PIN: ROD; LOWER
SP-010	CUD, CUT, IUD, IUE, IUT, PUB, PUT	0K77-01032-0000	SPRING: UP/DOWN
SP-011	CUD, CUT, IUD, IUE, IUT, PUB, PUT	0017-00100-0253	RNG:BRE 10.0 ST PP
SP-012	CUD, CUT, IUD, IUE, IUT, PUB, PUT	0017-00100-0250	RNG: E 6.0 MM ST PH (2)
SP-013	CUD, CUT, IUD, IUE, IUT, PUB, PUT	0K77-01031-0000	LATCH: UP/DOWN
SP-014	CUD, CUT, IUD, IUE, IUT, PUB, PUT	0K77-01027-0000	ROD: UP/DOWN
SP-015	CUD, CUT, IUD, IUE, IUT, PUB, PUT	1001646-0001	RING: RETAINING, 6MM, EXTERNAL
SP-016	CUD, CUT, IUD, IUE, IUT, PUB, PUT	1004863-0001	SEAT: UPRIGHT
SP-017	CUD, CUT, IUD, IUE, IUT, PUB, PUT	0017-00101-2150	SCREW: M8 X 1.25 X 6G6H X 20 UHS HXW CS ST ZB (4)

Drivetrain



Reference **LCLR220215-**
*Life Fitness Elevation and Integrity and
 Cybex R-Series Bike Generator
 Replacement Clutch Overview*
 for more information.

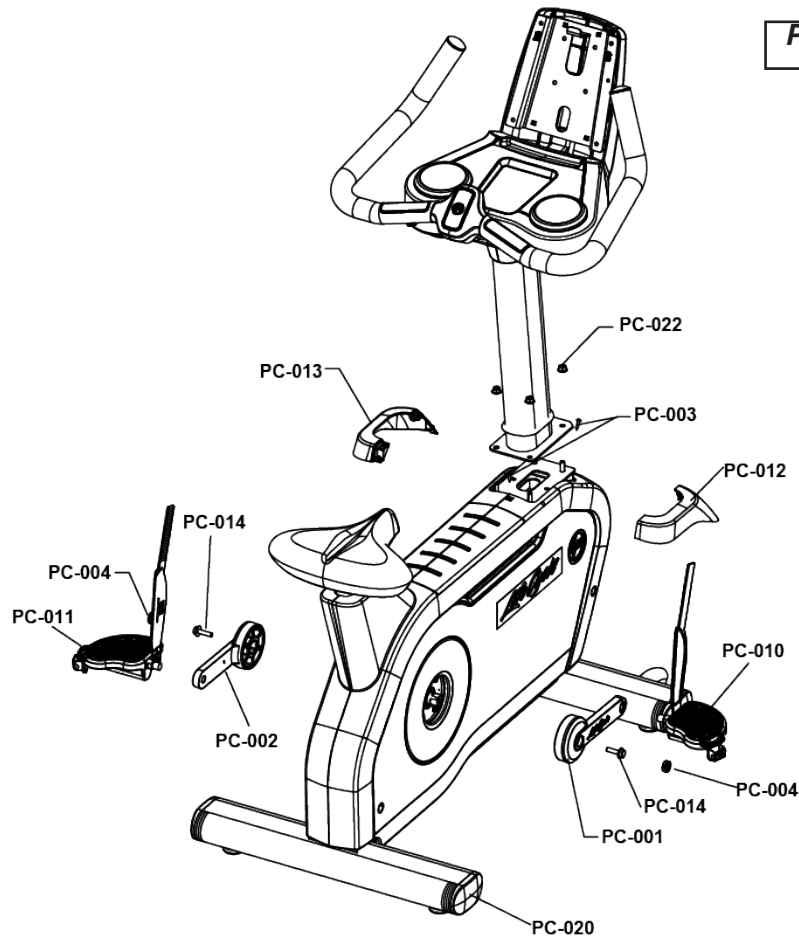
Parts List

Item	Alpha Code	Part Number	Description (Quantity)
DT-002	CUD, CUT, IUD, IUE, IUT, PUB, PUT	AK66-00151-0000	HUB ASSY: CRANKSHAFT; ELEVATION, UNIPLAT
DT-003	CUD, CUT, IUD, IUE, IUT, PUB, PUT	1004280-0001	PULLEY: POLY V; MOLDED, J-SECTION
DT-004	CUD, CUT, IUD, IUE, IUT, PUB, PUT	1004288-0001	BELT: POLY-V, 430 J8
DT-005	CUD, CUT, IUD, IUE, IUT, PUB, PUT	1017347-0001	ASSEMBLY: TENSIONER, IDLER
DT-006	CUD, CUT, IUD, IUE, IUT, PUB, PUT	0017-00101-2151	SCREW: M5 X 1.25 X 6G6G X 12 FLANGE HEAD CS G5 CD (6)
DT-007	CUD, CUT, IUD, IUE, IUT, PUB, PUT	1012903-0001	HUB SUPPORT
DT-008	CUD, CUT, IUD, IUE, IUT, PUB, PUT	0017-00104-0469	WASHER: M8.4X16.0X1.6 DIN D FLAT ST ZB (3)
DT-010	CUD, CUT, IUD, IUE, IUT, PUB, PUT	0017-00101-2150	SCREW: M8 X 1.25 X 6G6H X 20 UHS HWX CS ST ZB
DT-011	CUD, CUT, IUD, IUE, IUT, PUB, PUT	1003388-0001	NUT: M8X1.25-6H6H DIN L LOCKNUT ST ZB (5)
DT-012	CUD, CUT, IUD, IUE, IUT, PUB, PUT	1014174-0001	ASSY: GENERATOR
DT-013	CUD, CUT, IUD, IUE, IUT, PUB, PUT	0017-00100-0242	RNG: EXT.: STL,PP
DT-016	CUD, CUT, IUD, IUE, IUT, PUB, PUT	0017-00101-1944	SCREW M8 X 1.25 X 80 UNS HEX CS G5
DT-017	CUD, CUT, IUD, IUE, IUT, PUB, PUT	0017-00009-1191	INSERT, M8
DT-018	CUD, CUT, IUD, IUE, IUT, PUB, PUT	1013510-0001	SCREW M8 X 1.25 X 65 HEX ZN (3)
DT-019	CUD, CUT, IUD, IUE, IUT, PUB, PUT	1015424-0001	KIT: CLUTCH & SHEEVE, 20MM

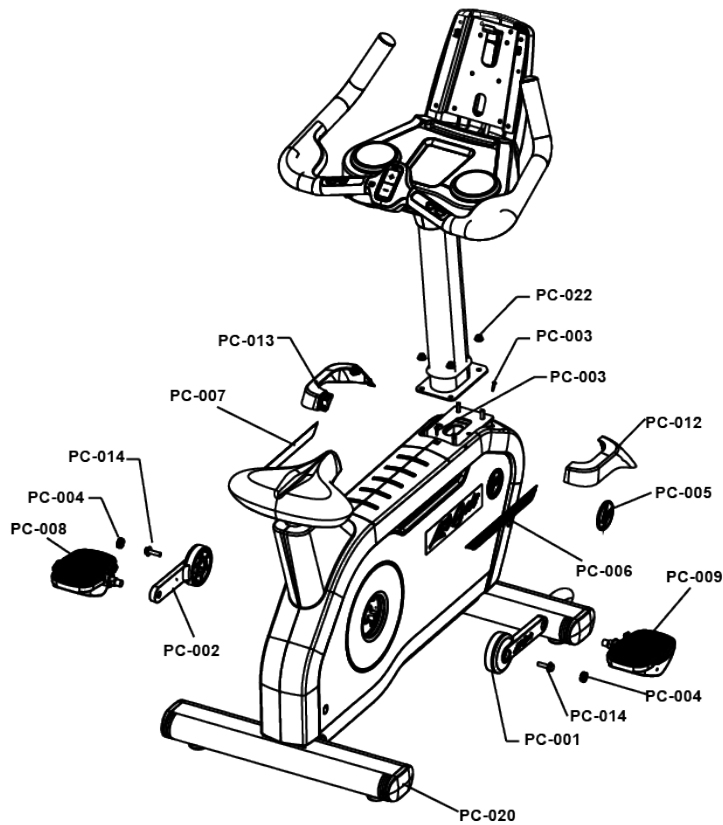
Pedals and Crank Arms

Simple

Parts List on next page



Featured

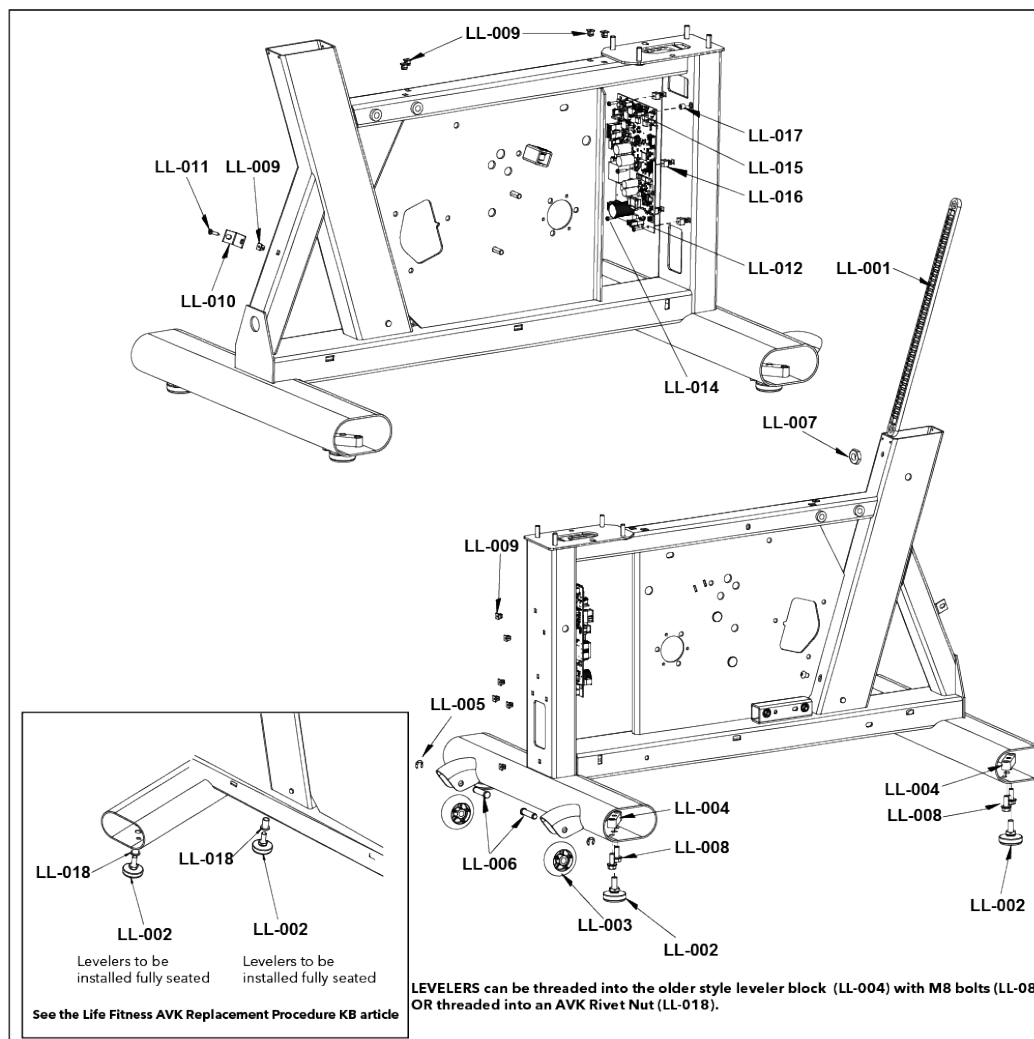


Pedals and Crank Arms

Parts List

Item	Alpha Code	Part Number	Description (Quantity)
PC-001	CUD, CUT, IUD, IUE, IUT, PUB, PUT	0K76-01054-0000	CRANK ARM: RIGHT
PC-002	CUD, CUT, IUD, IUE, IUT, PUB, PUT	0K76-01053-0000	CRANK ARM: LEFT
PC-003	CUD, CUT, IUD, IUE, IUT, PUB, PUT	0017-00101-1796	SCREW: M4.2 X 0.7 6g6g X 19 DIN PHL PAN AB ST ZB (2)
PC-004	CUD, CUT, IUD, IUE, IUT, PUB, PUT	0K66-01121-XXXX	CAP: CRANK (2)
PC-005	CUD, CUT, IUT, IUE	AK58-00245-XXXX	ASSEMBLY: MEDALLION 'BUG' CHGR (2)
PC-006	CUD, CUT, IUT, IUE	1003706-0001	DECAL: VENT DETAIL, RIGHT
PC-007	CUD, CUT, IUT, IUE	1003705-0001	DECAL: VENT DETAIL, LEFT
PC-008	CUD, CUT, IUT, IUE	AK66-00048-0701	PEDAL/STRAP ASSY: STANDARD; LEFT; BLK
PC-009	CUD, CUT, IUT, IUE	AK66-00047-0701	PEDAL/STRAP ASSY: STANDARD; RIGHT; BLK
PC-010	IUT, PUT, IUD, PUB	1006921-0001	ASSEMBLY: PEDAL, LIFECYCLE, RIGHT
PC-011	IUT, PUT, IUD, PUB	1006920-0001	ASSEMBLY: PEDAL, LIFECYCLE, LEFT
PC-012	CUD, CUT, IUD, IUE, IUT, PUB, PUT	1001593-2400	SHROUD ASSEMBLY: MONOCOLUMN, RIGHT, CHARCOAL GREY
PC-013	CUD, CUT, IUD, IUE, IUT, PUB, PUT	1001594-2400	SHROUD: MONOCOLUMN, LEFT, CHARCOAL GREY
PC-014	CUD, CUT, IUD, IUE, IUT, PUB, PUT	0017-00101-2077	SCREW: M8 X 1.0 6G6H X 30 UNS HXW CS ST ZS (2)
PC-020	CUD, CUT, IUD, IUE, IUT, PUB, PUT	1002166-0700	ENDCAP: LARGE FLOV, BLACK (4)
PC-022	CUD, CUT, IUD, IUE, IUT, PUB, PUT	1013499-0001	NUT: M8 X1.25 HEX LOCK ZINC

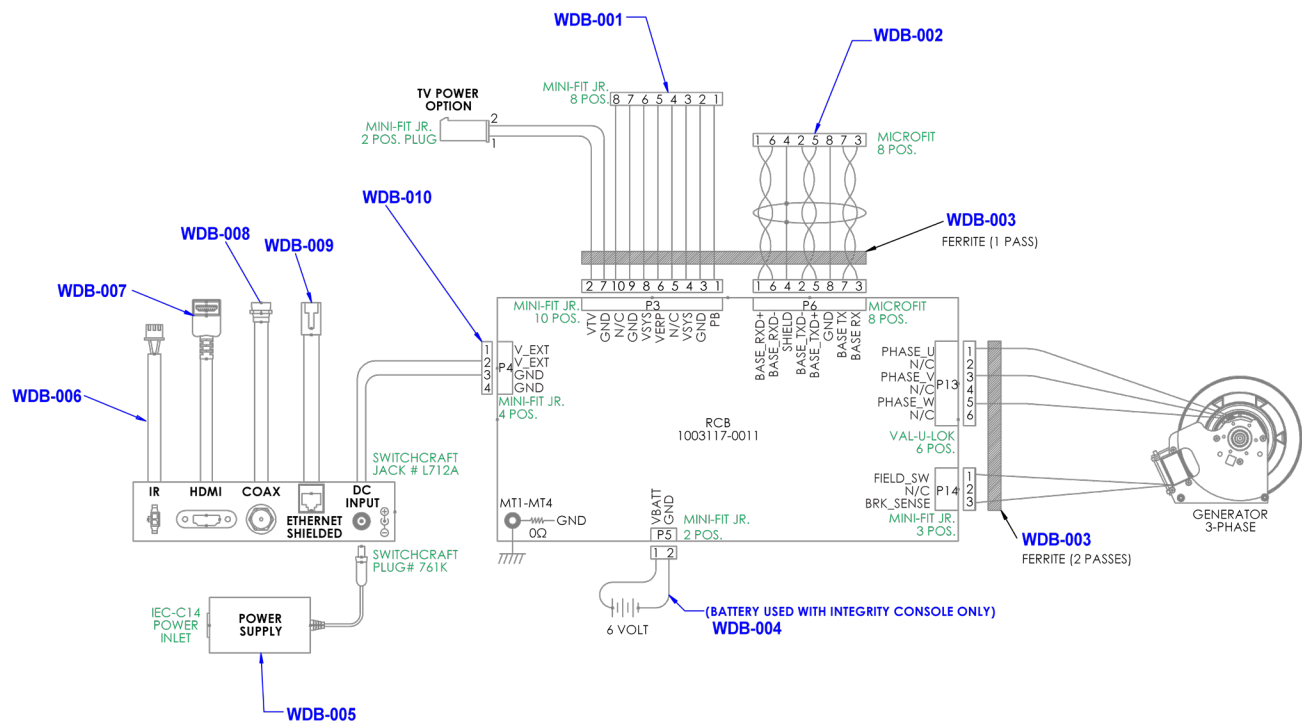
Leg Levelers, Front Roller and PCB Resistance Control



Parts List

Item	Alpha Code	Part Number	Description (Quantity)
LL-001	CUD, CUT, IUE, IUD, IUT, PUB, PUT	1022354-0001	RACK ASSY: UP DOWN
LL-002	CUD, CUT, IUE, IUD, IUT, PUB, PUT	AK62-00124-0000	LEG-LVLR ASSY: MFG; METRIC (4)
LL-003	CUD, CUT, IUE, IUD, IUT, PUB, PUT	1010977-0001	ASSEMBLY: FRONT ROLLER (2)
LL-004	CUD, CUT, IUE, IUD, IUT, PUB, PUT	1001040-0001	BLOCK: LEVELER (4)
LL-005	CUD, CUT, IUE, IUD, IUT, PUB, PUT	1011049-0001	E-RING (2)
LL-006	CUD, CUT, IUE, IUD, IUT, PUB, PUT	1011048-0001	CLEVIS PIN: 10MM O.D.
LL-007	CUD, CUT, IUE, IUD, IUT, PUB, PUT	0017-00103-0338	VMI NUT M8X1.25-6H6H DIN L THIN ST ZB B (2)
LL-008	CUD, CUT, IUE, IUD, IUT, PUB, PUT	0017-00101-2150	SCREW: M8 X 1.25 X 6G6H X 20 UHS HXW CS ST ZB (8)
LL-009	CUD, CUT, IUE, IUD, IUT, PUB, PUT	0017-00042-1147	GROMMET: SCREW (11)
LL-010	CUD, CUT, IUE, IUD, IUT, PUB, PUT	1002971-0001	BRACKET: SHROUD CLIP
LL-011	CUD, CUT, IUE, IUD, IUT, PUB, PUT	0017-00101-1796	SCREW: M4.2 X 0.7 6g6g X 19 DIN PHL PAN AB ST ZB
LL-012	CUD, CUT, IUE, IUD, IUT, PUB, PUT	1003117-0011	PCB ASSEMBLY: RESISTANCE CONTROL
LL-014	CUD, CUT, IUE, IUD, IUT, PUB, PUT	0017-00101-1838	SCREW: M3.5 X 19 DIN PHL PAN ST ZN (4)
LL-015	CUD, CUT, IUE, IUD, IUT, PUB, PUT	0017-00101-1874	SCREW: M4 X 16 PHL PAN ST ZN
LL-016	CUD, CUT, IUE, IUD, IUT, PUB, PUT	0017-00042-0821	GROMMET: PLAST (4)
LL-017	CUD, CUT, IUE, IUD, IUT, PUB, PUT	1013169-0001	SPACER, ALUMINUM
LL-018	CUD, CUT, IUE, IUD, IUT, PUB, PUT	1020846-0001	INSERT: M10 X 1.5 X 19.75, INTERNAL, ST

Wiring Diagram - Base

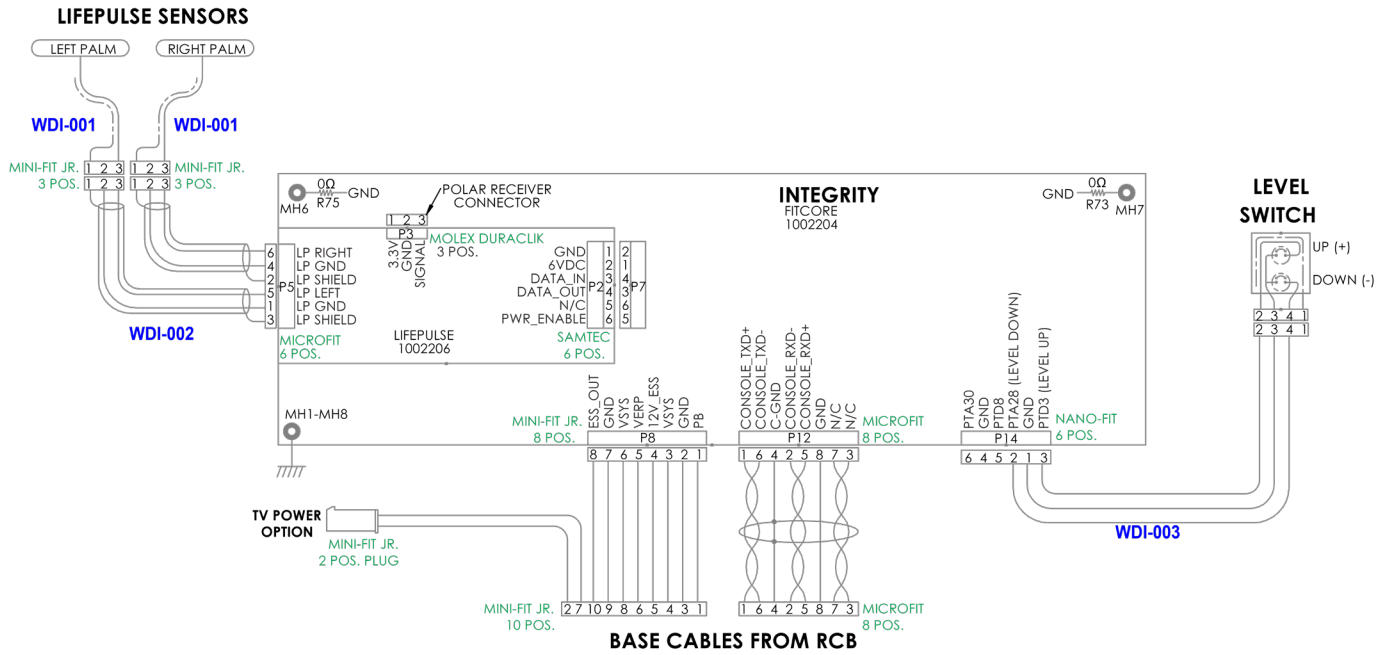


Parts List

Item	Alpha Code	Part Number	Description (Quantity)
WDB-001	CUD, CUT, IUT, IUD, IUE, PUT, PUB	1002258-0006	CABLE: CONSOLE TO BASE, POWER, RECUMBENT BIKE
WDB-002	CUD, CUT, IUT, IUD, IUE, PUT, PUB	1002239-0007	CABLE: CONSOLE TO BASE, SIGNAL, RECUMBENT BIKE
WDB-003	CUD, CUT, IUT, IUD, IUE, PUT, PUB	121E-00001-0023	CORE: FERRITE; SUPPRESSION B
WDB-004	CUD, CUT, IUT, PUT	AK69-00106-0000	CABLE ASSY: BATTERY, NON-TREADS, 26 INCH (USED FOR INTEGRITY CONSOLES)
WDB-005	CUD, CUT, IUE, IUD, PUB	1004808-0001	POWER SUPPLY, 100-240VAC TO 24VDC, 5A, 2.5MM PLUG (USED FOR DISCOVER CONSOLE)
WDB-006	CUD, CUT, IUE, IUD	1001671-0003	CABLE: IR, CONSOLE TO PANEL, UPRIGHT BIKE (FEATURED BASE ONLY)
WDB-007	CUD, CUT, IUE, IUD	1001653-0001	CABLE ASSEMBLY: HDMI, PANEL MOUNT, RIGHT, UPRIGHT BIKE (FEATURED BASE ONLY)
WDB-008	CUD, CUT, IUT, IUD, IUE, PUT, PUB	AK65-00062-0000	COAX ASSY: RG6; BASE
WDB-009	IUE, IUD	AK70-00092-0004	CABLE ASSY: CAT5E; V2
WDB-010	CUD, CUT, IUT, IUD, IUE, PUT, PUB	1003521-0001	CABLE: POWER, RCB TO PANEL, 5A, UPRIGHT BIKE

**NOTE: MUST USE the 12VDC power supply with Integrity X or C Console.
DO NOT USE a 24VDC power supply!**


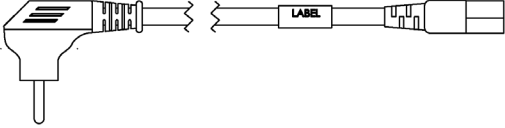

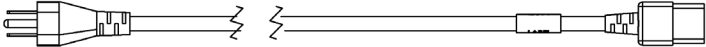

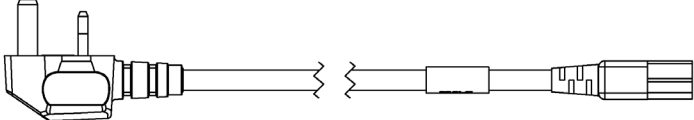

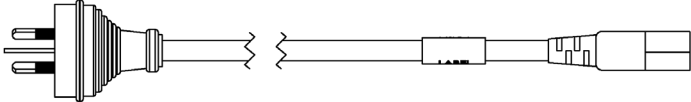

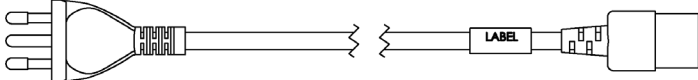

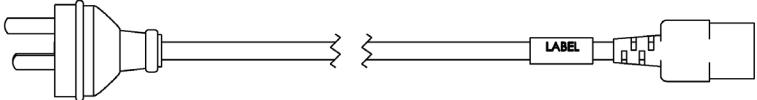
Wiring Diagram - Integrity X and C Consoles



Parts List

Item	Alpha Code	Part Number	Description (Quantity)
WDI-001	CUD, CUT, IUD, IUE, IUT, PUB, PUT	1004560-0001	CABLE: LIFEPULSE ELECTRODES
WDI-002	CUD, CUT, IUD, IUE, IUT, PUB, PUT	1003838-0003	CABLE: LIFEPULSE TO ELECTRODE
WDI-003	CUD, CUT, IUT	1003839-0002	CABLE: CONSOLE TO BASE KEYPADS

Power Cords

LC-001		
LC-002		
LC-003		
LC-004		
LC-005		
LC-006		

Parts List

Item	Alpha Code	Part Number	Description (Quantity)
LC-001	CUD, CUT, IUE, IUD, IUT, PUB, PUT	0017-00003-0691	LINE-CORD: CON 10A 250V
LC-002		0017-00003-0704	LINE-CORD: DOM. 10A 125V
LC-003		0017-00003-0889	LINE-CORD: 10A; U.K
LC-004		0017-00003-0918	LINE-CORD: AUSTRALIA
LC-005		0017-00003-1053	LINE-CORD: BRAZIL, IEC-C13
LC-006		0017-00003-1067	LINE-CORD: ARGENTINA, IRAM 2073, IEC-C13

INTEGRITY UPRIGHT LIFECYCLE® EXERCISE BIKE (INCSX, INCDX, INCSC, INCSSE, CSLUD)

HUB, CHU, PHU, PDU, HXC, HCE, CHW

PARTS MANUAL

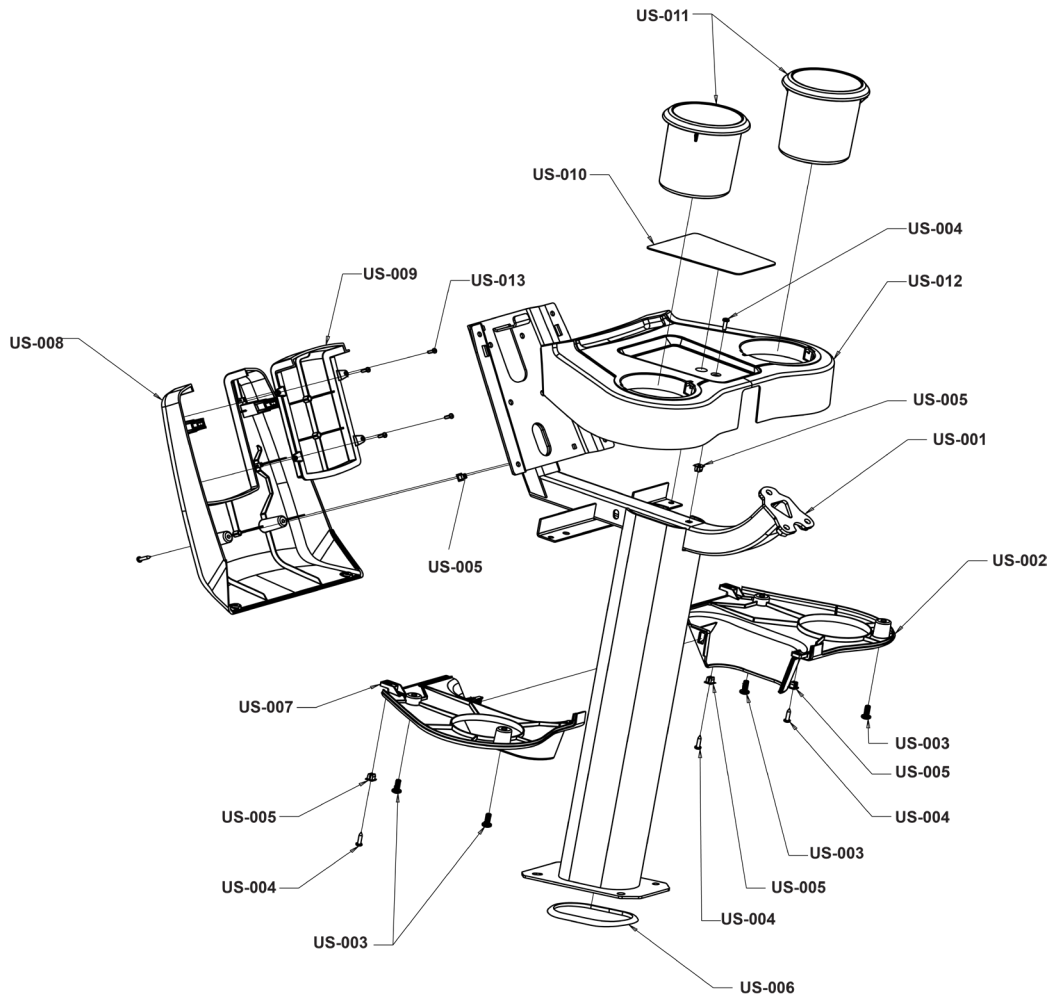
VERSION 1



Table of Contents

Upper Shrouds and Monocolumn	2
Handlebars and Activity Zone	3
Frame Shrouds	4
• Serial Numbers up to 200000	4
• Serial Numbers 200001 and above	5
Plugs and Battery	6
Seat and Seat Post	7
Drivetrain	9
• Serial Numbers up to 200000	9
• Serial Numbers 200001 and above	10
Pedals and Crank Arms	11
Leg Levelers, Front Roller and PCB Resistance Control	13
• Serial Numbers up to 200000	13
• Serial Numbers 200001 and above	14
Wiring Diagram: Base	15
Wiring Diagram: Integrity X and C Console	16
Wiring Diagram: Discover Console	17
Power Cords	18

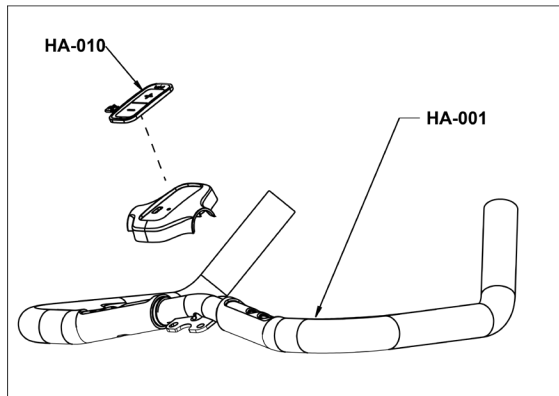
Upper Shrouds and Monocolumn



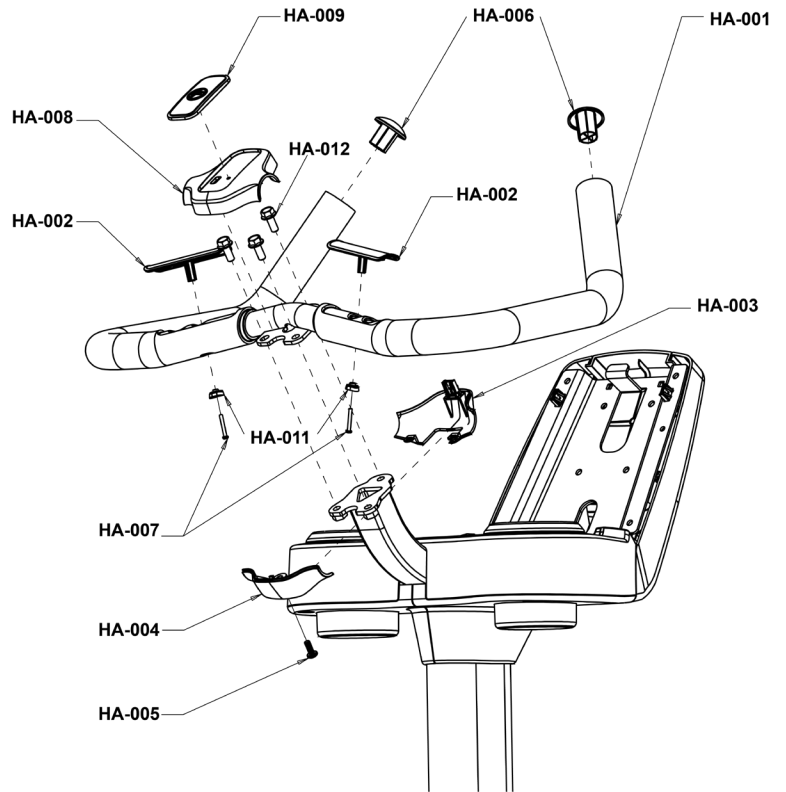
Parts List

Item	Alpha Code	Part Number	Description (Quantity)
US-001	HUB, HXC, HCE	1001523-5100	WELDMENT: MONOCOLUMN, ARCTIC SILVER ROBUST
	HUB, HXC	1001523-7100	WELDMENT: MONOCOLUMN, UPRIGHT, PEARLESCENT WHITE ROBUST
	HUB, CHU, HXC, CHW	1001523-7200	WELDMENT: MONOCOLUMN, TITANIUM ROBUST
	HUB, HXC	1001523-7300	WELDMENT: MONOCOLUMN, UPRIGHT, METALLIC BLACK ROBUST
	PDU, PHU	1012966-0001	ASSEMBLY: MONOCOLUMN W/DECAL, PURPLE, ROBUST
US-002	HUB, CHU, PDU, PHU, HXC, HCE, CHW	1001606-2400	SHROUD: BOTTOM, RIGHT, CHARCOAL GREY
US-003	HUB, CHU, PDU, PHU, HXC, HCE, CHW	0017-00101-2138	SCREW: M6x1.0x16 DIN PHL PAN MS ST ZB (4)
US-004	HUB, CHU, PDU, PHU, HXC, HCE, CHW	0017-00101-1796	SCREW: M4.2 X 0.7 6g6g X 19 DIN PHL PAN AB ST ZB (5)
US-005	HUB, CHU, PDU, PHU, HXC, HCE, CHW	0017-00042-1147	GROMMET: SCREW; 8 OR 10US-005 (4)
US-006	HUB, CHU, PDU, PHU, HXC, HCE, CHW	1003232-0700	GASKET: MONOCOLUMN, BLACK
US-007	HUB, CHU, PDU, PHU, HXC, HCE, CHW	1001607-2400	SHROUD ASSEMBLY: BOTTOM, LEFT, CHARCOAL GREY
US-008	HUB, CHU, PDU, PHU, HXC, HCE, CHW	1001608-2400	SHROUD: REAR, CHARCOAL GREY
US-009	HUB, CHU, PDU, PHU, HXC, HCE, CHW	1012962-0001	ASSEMBLY: REAR SHROUD W/ DECAL, FILLER, CHARCOAL GREY
US-010	HUB, CHU, PDU, PHU, HXC, HCE, CHW	1001610-0700	PAD: UPRIGHT TRAY, BLACK
US-011	HUB, CHU, PDU, PHU, HXC, HCE, CHW	1001034-2400	CUPHOLDER: LOCKING, CHARCOAL GREY (2)
US-012	HUB, CHU, PDU, PHU, HXC, HCE, CHW	1001605-2400	SHROUD ASSEMBLY: TOP, CHARCOAL GREY
US-013	HUB, HXC, HCE, CHW	0017-00101-1650	SCREW: VMI 6-19X 6 PHL PAN PLT ST BZ B (4)
	HUB, CHU, PDU, PHU, HXC, HCE, CHW	0017-00101-1940	SCREW: M5 X 0.8 X 14, PHL, PAN, MS, ST, ZN (5) (for mounting console) NOT SHOWN

Handlebars and Activity Zone



Featured



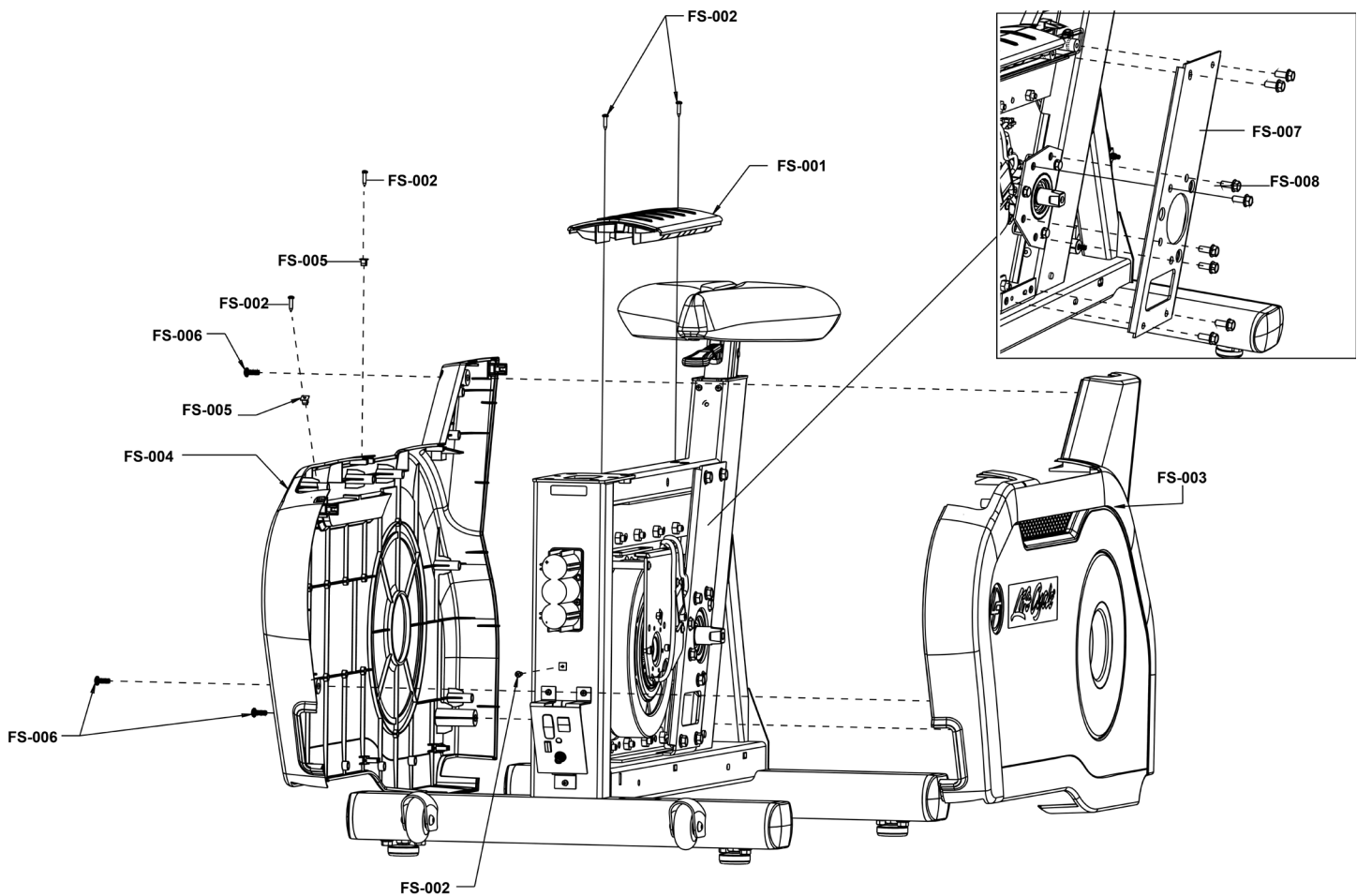
Simple

Parts List

Item	Alpha Code	Part Number	Description (Quantity)
HA-001	HUB, PHU, PDU, HCE	1001562-0700	HANDLEBAR: UPRIGHT, SIMPLE, BLACK
	HUB, CHU, HXC, CHW	1001563-0700	HANDLEBAR: UPRIGHT, FEATURED, BLACK
HA-002	HUB, CHU, PHU, PDU, HXC, HCE, CHW	AK63-00014-XXXX	ELECTRODE: INSERT MOLDED; CHGR (2)
HA-003	HUB, CHU, PHU, PDU, HXC, HCE, CHW	1001631-2400	SHROUD: ACTIVITY ZONE, BOTTOM FRONT, CHARCOAL GREY
HA-004	HUB, CHU, PHU, PDU, HXC, HCE, CHW	1001630-2400	SHROUD: ACTIVITY ZONE, BOTTOM REAR, CHARCOAL GREY
HA-005	HUB, CHU, PHU, PDU, HXC, HCE, CHW	0017-00101-2138	SCREW: M6x1.0x16 DIN PHL PAN MS ST ZB
HA-006	HUB, CHU, PHU, PDU, HXC, HCE, CHW	0K63-01114-XXXX	ENDCAP, HANDLEBAR (2)
HA-007	HUB, CHU, PHU, PDU, HXC, HCE, CHW	0017-00101-1720	SCREW: 6-19X16 PHL PAN (2)
HA-008	HUB, CHU, PHU, PDU, HXC, HCE, CHW	1001629-2400	SHROUD: ACTIVITY ZONE, TOP FEATURED, CHARCOAL GREY
HA-009	HUB, CHU, PHU, PDU, HCE	1001632-0700	SHROUD: ACTIVITY ZONE, SIMPLE FILLER, BLACK
HA-010	HUB, CHU, HXC, CHW	1001633-0000	KEYPAD: UP, DOWN
HA-011	HUB, CHU, PHU, PDU, HXC, HCE, CHW	0K66-01141-XXXX	PLUG: INSULATOR (2)
HA-012	HUB, CHU, PHU, PDU, HXC, HCE, CHW	0017-00101-2150	SCREW: M8 X 1.25 X 6G6H X 20 UHS HXW CS ST ZB (3)

Frame Shrouds (Left, Right, and Top Cover)

Serial Numbers up to 200000

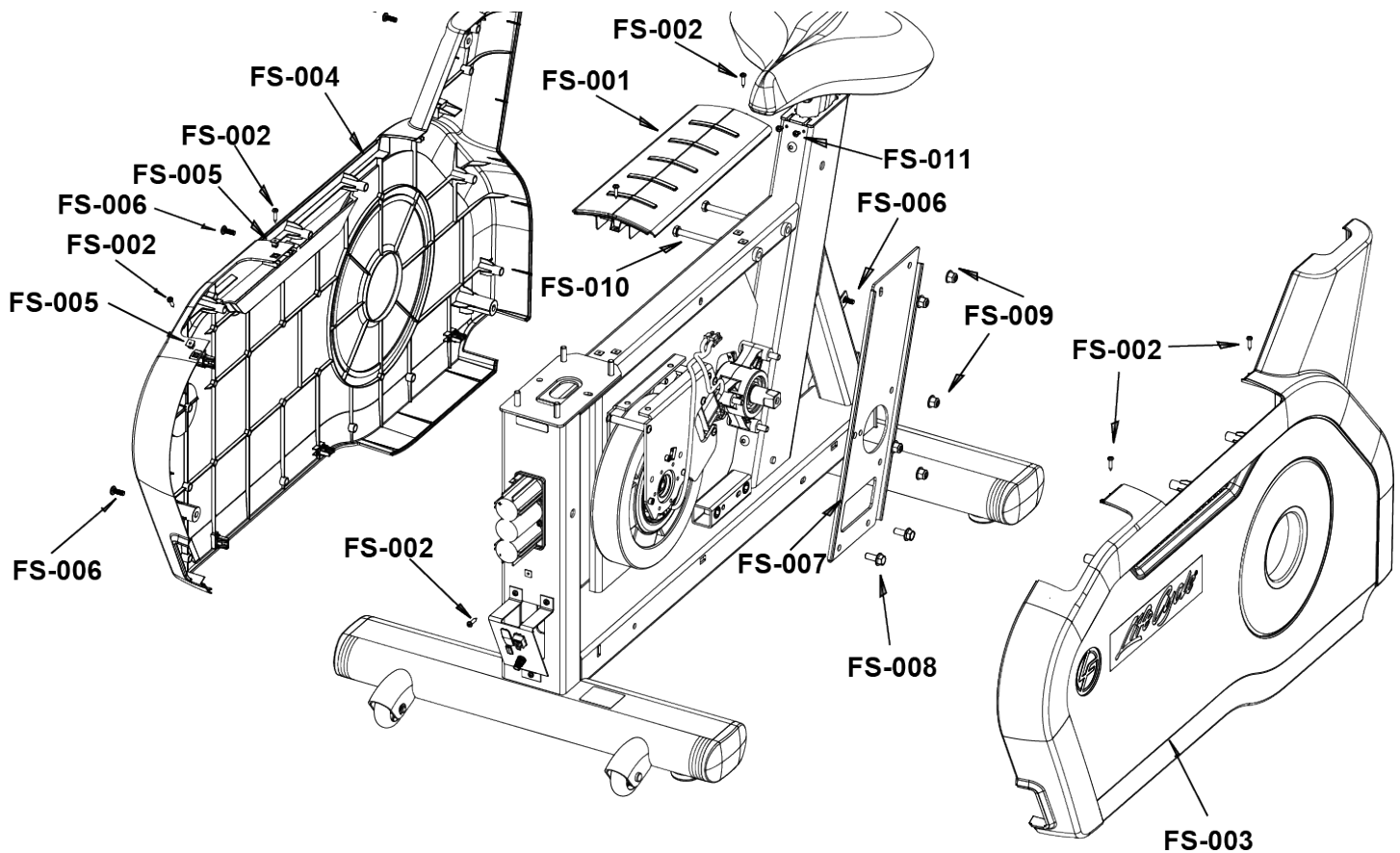


Parts List

Item	Alpha Code	Part Number	Description (Quantity)
FS-001	HUB, CHU, PHU, PDU, HXC, HCE, CHW	1001595-0700	SHROUD: TOP COVER, BLACK
FS-002	HUB, CHU, PHU, PDU, HXC, HCE, CHW	0017-00101-1796	SCREW: M4.2 X 0.7 6g6g X 19 DIN PHL PAN AB ST ZB (5)
FS-003	HUB, CHU, HXC, HCE, CHW	1012960-0001	ASSEMBLY: SHROUD W/ DECAL, MAIN, LEFT, CHARCOAL GREY
	PHU, PDU	1012964-0001	ASSEMBLY: SHROUD W/DECAL, MAIN, LEFT, PLANET
FS-004	HUB, CHU, HXC, HCE, CHW	1012961-0001	ASSEMBLY: SHROUD W/ DECAL, MAIN, RIGHT, CHARCOAL GREY
	PHU, PDU	1012965-0001	ASSEMBLY: SHROUD W/DECAL, MAIN, RIGHT, PLANET
FS-005	HUB, CHU, PHU, PDU, HXC, HCE, CHW	0017-00042-1147	GROMMET: SCREW (2)
FS-006	HUB, CHU, PHU, PDU, HXC, HCE, CHW	0017-00101-2138	SCREW: M6x1.0x16 DIN PHL PAN MS ST ZB (3)
FS-007	HUB, CHU, PHU, PDU, HXC, HCE, CHW	1001547-0001	SHEET METAL: HUB SUPPORT
FS-008	HUB, CHU, PHU, PDU, HXC, HCE, CHW	0017-00101-2150	SCREW: M8 X 1.25 X 6G6H UHS HXW CS ST ZB (8)

Frame Shrouds (Left, Right, and Top Cover)

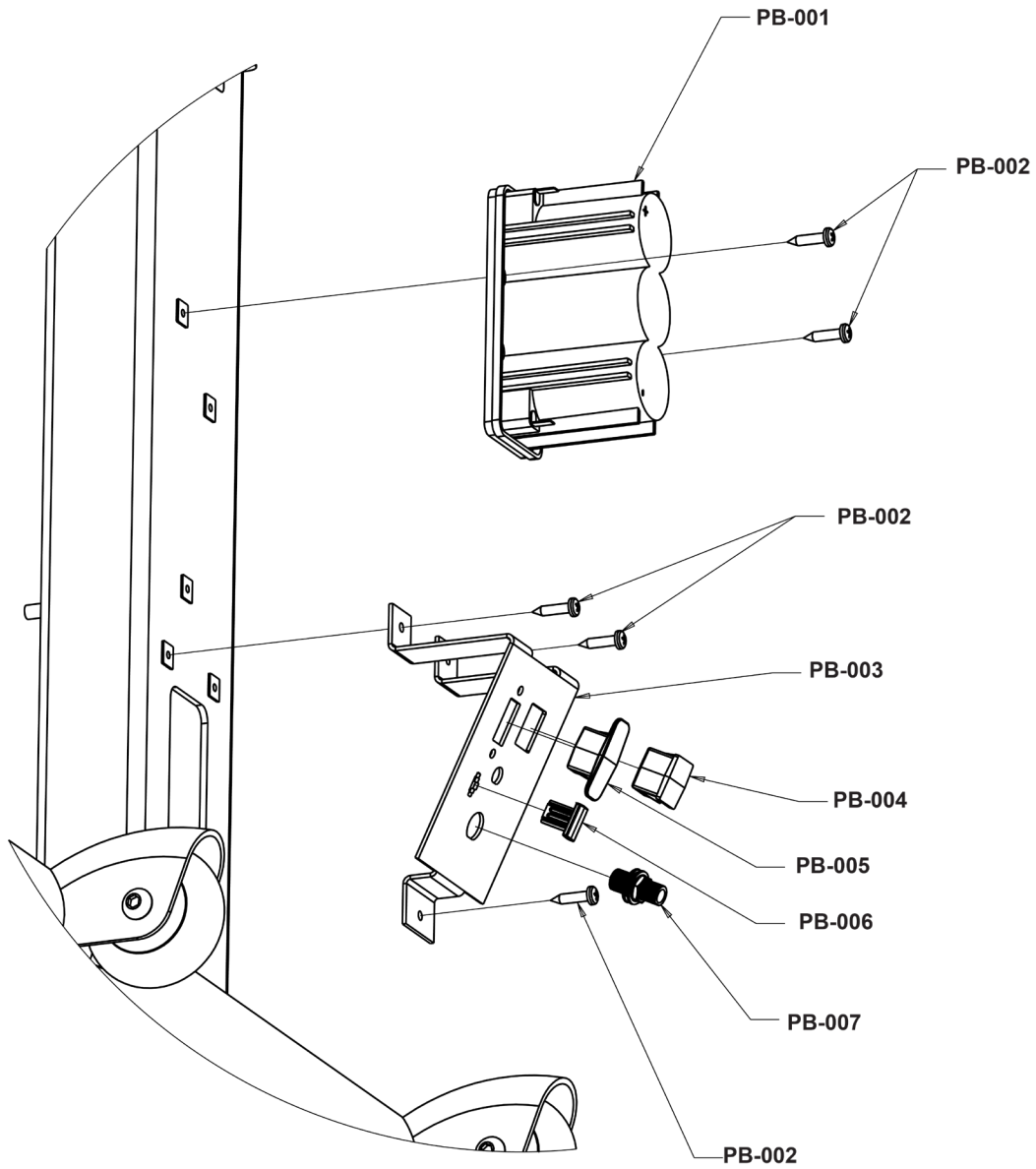
Serial Numbers 200001 and Above



Parts List

Item	Alpha Code	Part Number	Description (Quantity)
FS-001	HUB, CHU, PHU, PDU, HXC, HCE, CHW	1001595-0700	SHROUD: TOP COVER, BLACK
FS-002	HUB, CHU, PHU, PDU, HXC, HCE, CHW	0017-00101-1796	SCREW: M4.2 X 0.7 6g6g X 19 DIN PHL PAN AB ST ZB (7)
FS-003	HUB, CHU, HXC, HCE, CHW	1012960-0001	ASSEMBLY: SHROUD W/ DECAL, MAIN, LEFT, CHARCOAL GREY
	PHU, PDU	1012964-0001	ASSEMBLY: SHROUD W/DECAL, MAIN, LEFT, PLANET
FS-004	HUB, CHU, HXC, HCE, CHW	1012961-0001	ASSEMBLY: SHROUD W/ DECAL, MAIN, RIGHT, CHARCOAL GREY
	PHU, PDU	1012965-0001	ASSEMBLY: SHROUD W/DECAL, MAIN, RIGHT, PLANET
FS-005	HUB, CHU, PHU, PDU, HXC, HCE, CHW	0017-00042-1147	GROMMET: SCREW (2)
FS-006	HUB, CHU, PHU, PDU, HXC, HCE, CHW	0017-00101-2138	SCREW: M6x1.0x16 DIN PHL PAN MS ST ZB (4)
FS-007	HUB, CHU, PHU, PDU, HXC, HCE, CHW	1012903-0001	SHEET METAL: HUB SUPPORT
FS-008	HUB, CHU, PHU, PDU, HXC, HCE, CHW	0017-00101-2150	SCREW: M8 X 1.25 X 6G6H UHS HXW CS ST ZB (2)
FS-009	HUB, CHU, PHU, PDU, HXC, HCE, CHW	1003388-0001	NUT: M8 X 1.25 HEX LOCKNUT (5)
FS-010	HUB, CHU, PHU, PDU, HXC, HCE, CHW	0017-00101-1944	SCREW: M8 X 80 HEX CX G5 (2)
FS-011	HUB, CHU, PHU, PDU, HXC, HCE, CHW	0017-00101-1968	SCREW: M4 X 10 PHL PAN TT ST ZS (4)

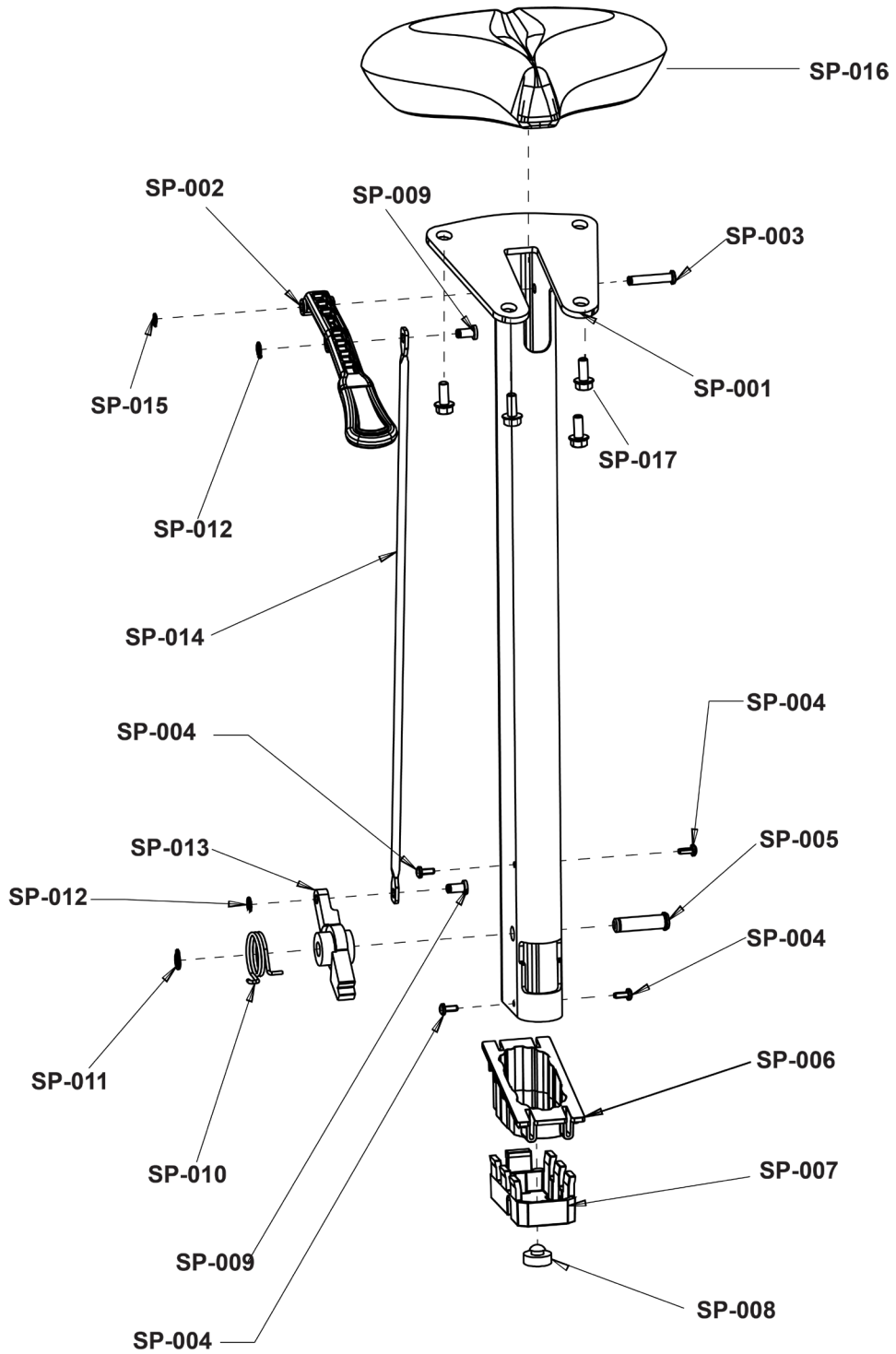
Plugs and Battery



Parts List

Item	Alpha Code	Part Number	Description (Quantity)
PB-001	HUB, CHU, PHU, CHW	0017-00003-0685	BATTERY: 6 VOLT
PB-002	HUB, CHU, PHU, PDU, HXC, HCE, CHW	0017-00101-1796	SCREW: M4.2 X 0.7 6g6g X 19 DIN PHL PAN AB ST ZB (5)
PB-003	HUB, CHU, PHU, PDU, HXC, HCE, CHW	1001537-0001	SHEET METAL:BRACKET, COM PORT
PB-004	HUB, CHU, PHU, CHW	1004601-0001	PLUG: RJ45 RECEPTACLE
	PHU, PDU, HXC, HCE	0017-00021-3195	COUPLER: CAT5E, SHIELDED, RJ45
PB-005	HUB, CHU, PHU, CHW	1005393-0700	PLUG: HDMI, BLACK
PB-006	HUB, CHU, PHU, CHW	1005470-0700	PLUG: IR PORT, BLACK
PB-007	HUB, CHU, PHU, PDU, HXC, HCE, CHW	0017-00021-2846	F-CONNECTOR: COAX, PANEL MOUNT

Seat and Seat Post



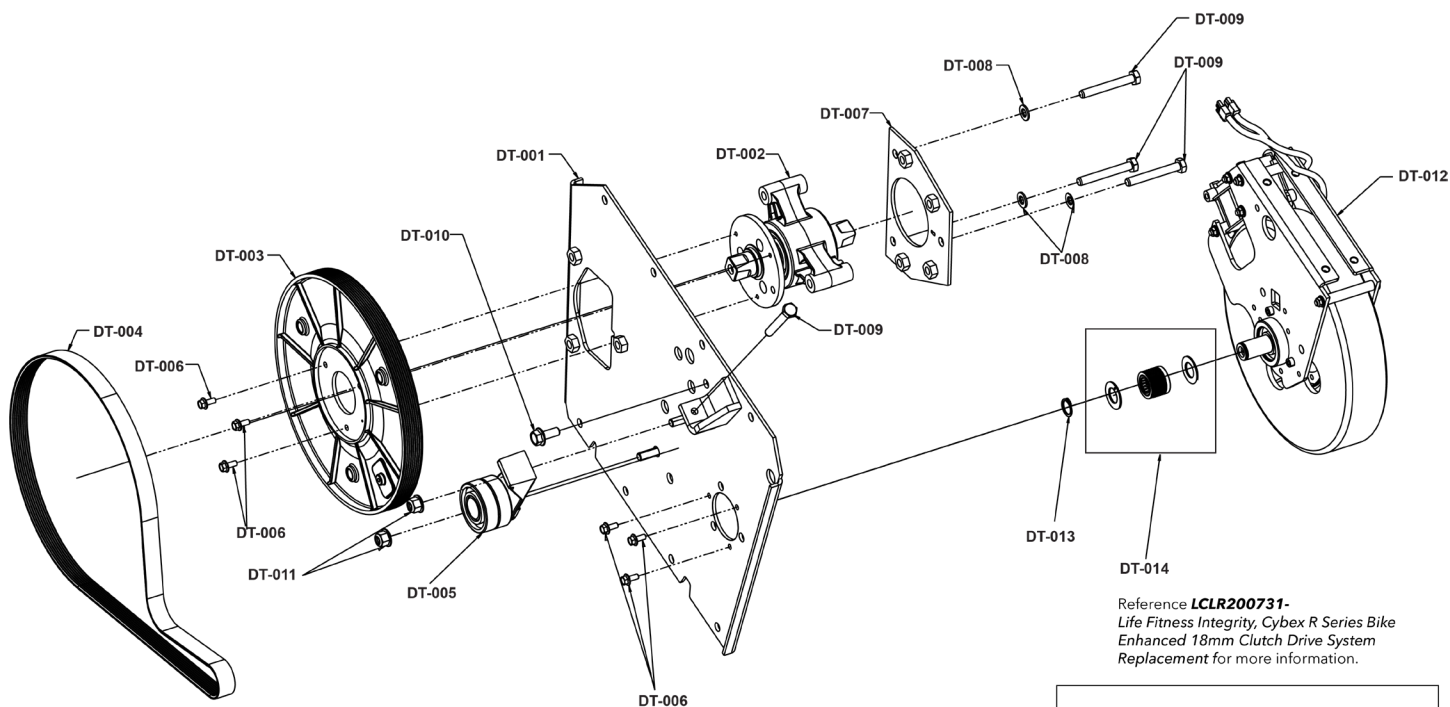
Parts listed on following page.

Seat and Seat Post *(continued)*

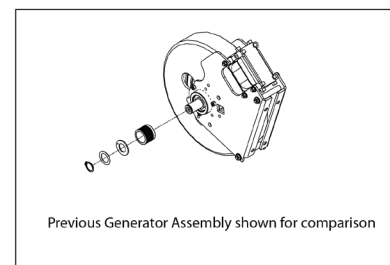
Parts List

Item	Alpha Code	Part Number	Description (Quantity)
SP-001	HUB, CHU, PHU, PDU, HXC, HCE, CHW	1012963-0001	ASSEMBLY: SEAT POST W/ DECAL
SP-002	HUB, CHU, PHU, PDU, HXC, HCE, CHW	1001615-0500	HANDLE: UPRIGHT SEAT ADJUSTMENT, RED
SP-003	HUB, CHU, PHU, PDU, HXC, HCE, CHW	1001557-0001	PIN: PIVOT, HANDLE
SP-004	HUB, CHU, PHU, PDU, HXC, HCE, CHW	0017-00101-1968	M4 X 0.7 X 10 PHL PAN TT ST ZS (4)
SP-005	HUB, CHU, PHU, PDU, HXC, HCE, CHW	1001558-0001	PIN: PIVOT, LATCH
SP-006	HUB, CHU, PHU, PDU, HXC, HCE, CHW	1001555-0001	BUSHING: SEAT POST, UPPER
SP-007	HUB, CHU, PHU, PDU, HXC, HCE, CHW	1001556-0001	BUSHING: SEAT POST, LOWER
SP-008	HUB, CHU, PHU, PDU, HXC, HCE, CHW	0K77-01066-0000	BUMPER: EPDM
SP-009	HUB, CHU, PHU, PDU, HXC, HCE, CHW	0K77-01028-0000	PIN: ROD; LOWER
SP-010	HUB, CHU, PHU, PDU, HXC, HCE, CHW	0K77-01032-0000	SPRING: UP/DOWN
SP-011	HUB, CHU, PHU, PDU, HXC, HCE, CHW	0017-00100-0253	RNG:BRE 10.0 ST PP
SP-012	HUB, CHU, PHU, PDU, HXC, HCE, CHW	0017-00100-0250	RNG: E 6.0 MM ST PH (2)
SP-013	HUB, CHU, PHU, PDU, HXC, HCE, CHW	0K77-01031-0000	LATCH: UP/DOWN
SP-014	HUB, CHU, PHU, PDU, HXC, HCE, CHW	0K77-01027-0000	ROD: UP/DOWN
SP-015	HUB, CHU, PHU, PDU, HXC, HCE, CHW	1001646-0001	RING: RETAINING, 6MM, EXTERNAL
SP-016	HUB, CHU, PHU, PDU, HXC, HCE, CHW	1004863-0001	SEAT: UPRIGHT
SP-017	HUB, CHU, PHU, PDU, HXC, HCE, CHW	0017-00101-2150	SCREW: M8 X 1.25 X 6G6H X 20 UHS HW CS ST ZB (4)

Drivetrain - Serial Numbers up to 200000



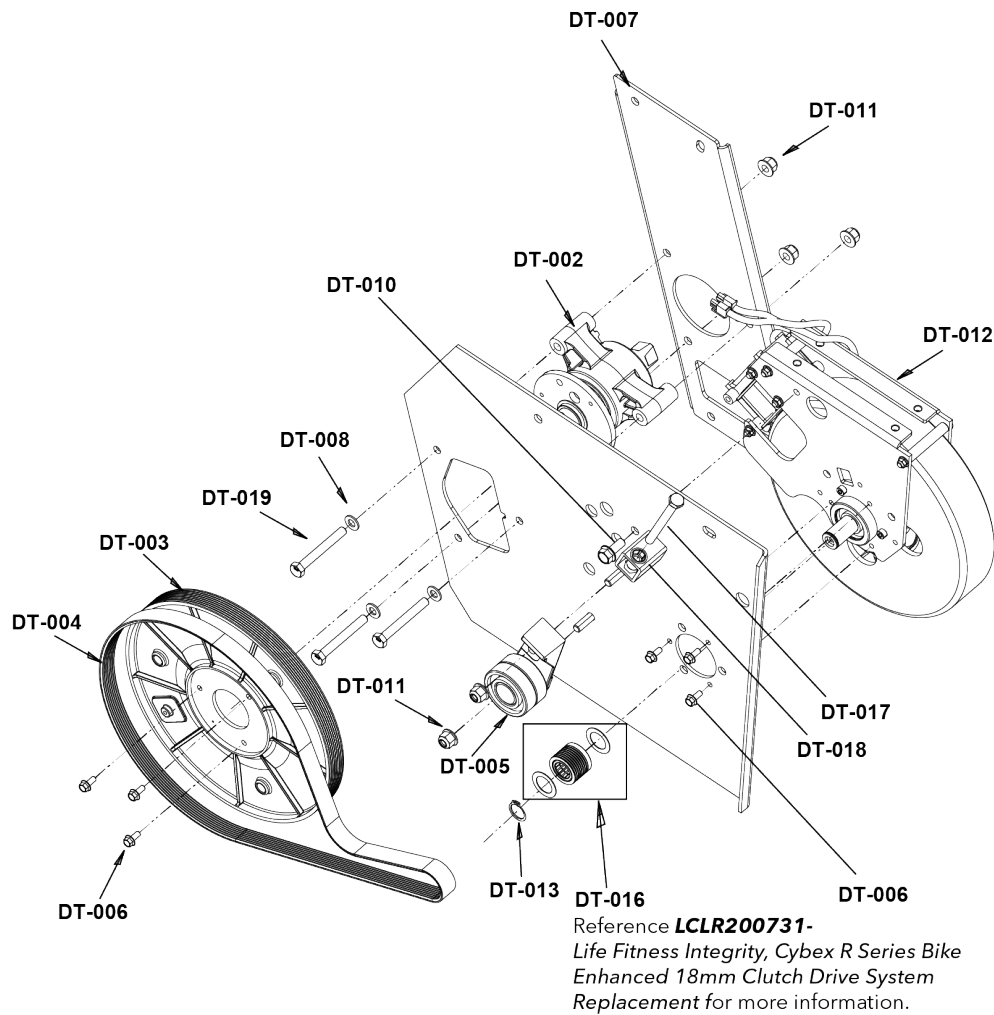
Reference **LCLR200731-**
Life Fitness Integrity, Cybex R Series Bike
Enhanced 18mm Clutch Drive System
Replacement for more information.



Parts List

Item	Alpha Code	Part Number	Description (Quantity)
DT-001	HUB, CHU, PHU, PDU, HXC, HCE	1000711-0001	WELDMENT: DRIVETRAIN PLATE
DT-002	HUB, CHU, PHU, PDU, HXC, HCE	AK66-00151-0000	HUB ASSY: CRANKSHAFT; ELEVATION, UNIPLAT
DT-003	HUB, CHU, PHU, PDU, HXC, HCE	0K76-01068-0000	PULLEY: POLY V; MOLDED, J-SECTION
DT-004	HUB, CHU, PHU, PDU, HXC, HCE	1000716-0001	BELT: POLY-V, 430 J8
DT-005	HUB, CHU, PHU, PDU, HXC, HCE	1001619-0001	ASSEMBLY: IDLER
DT-006	HUB, CHU, PHU, PDU, HXC, HCE	0017-00101-2151	SCREW: M5 X 1.25 X 6G6G X 12 FLANGE HEAD CS G5 CD (6)
DT-007	HUB, CHU, PHU, PDU, HXC, HCE	1000714-0001	WELDMENT: ADAPTER, HUB
DT-008	HUB, CHU, PHU, PDU, HXC, HCE	0017-00104-0469	WASHER: M8.4X16.0X1.6 DIN D FLAT ST ZB (3)
DT-009	HUB, CHU, PHU, PDU, HXC, HCE	0017-00101-2002	SCREW: M8.0X1.25-6G6GX60 DIN UNS HEX CS G5 CD (4)
DT-010	HUB, CHU, PHU, PDU, HXC, HCE	0017-00101-2150	SCREW: M8 X 1.25 X 6G6H X 20 UHS HWX CS ST ZB
DT-011	HUB, CHU, PHU, PDU, HXC, HCE	1003388-0001	NUT: M8X1.25-6H6H DIN L LOCKNUT ST ZB (2)
DT-012	HUB, CHU, PHU, PDU, HXC	1001620-0001	ASSY: GENERATOR
	HCE	1003381-0001	ASSY: GENERATOR
DT-013	HUB, CHU, PHU, PDU, HXC, HCE	0017-00100-0257	RNG: EXT.: DSH-18; STL, BP (METRIC)
DT-014	HUB, CHU, HXC, HCE	1015421-0001	KIT: CLUTCH, 18MM
	PHU, PDU		CONTACT CUSTOMER SERVICE FOR DETAILS.

Drivetrain - Serial Numbers 200001 and Above



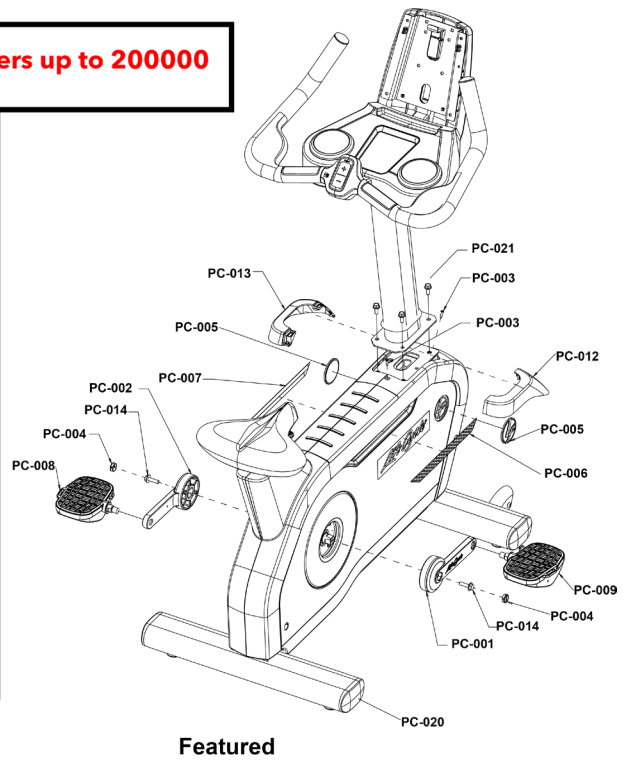
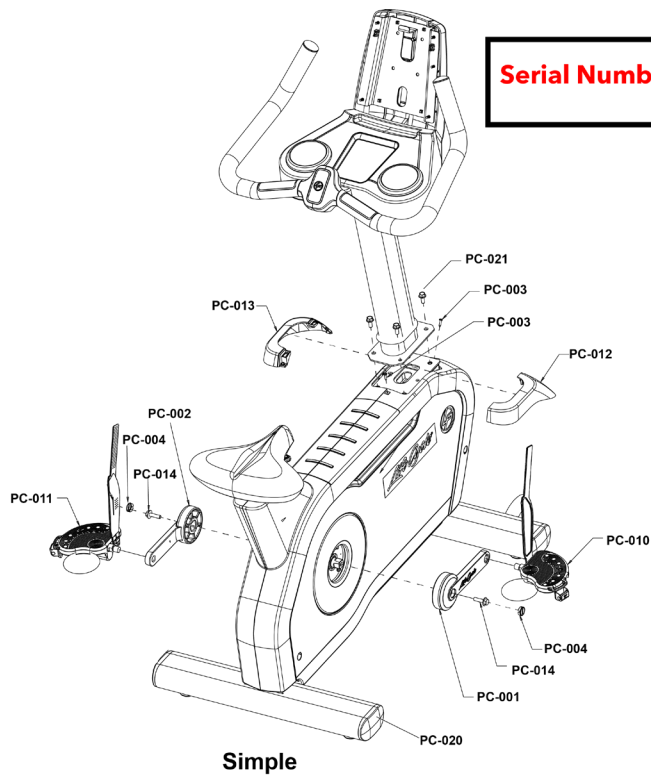
Parts List

Item	Alpha Code	Part Number	Description (Quantity)
DT-002	HUB, CHU, PHU, PDU, HXC, HCE, CHW	AK66-00151-0000	HUB ASSY: CRANKSHAFT; ELEVATION, UNIPLAT
DT-003	HUB, CHU, PHU, PDU, HXC, HCE, CHW	0K76-01068-0000	PULLEY: POLY V; MOLDED, J-SECTION
DT-004	HUB, CHU, PHU, PDU, HXC, HCE, CHW	1000716-0001	BELT: POLY-V, 430 J8
DT-005	HUB, CHU, PHU, PDU, HXC, HCE, CHW	1001619-0001	ASSEMBLY: IDLER
DT-006	HUB, CHU, PHU, PDU, HXC, HCE, CHW	0017-00101-2151	SCREW: M5 X 1.25 X 6G6G X 12 FLANGE HEAD CS G5 CD (6)
DT-007	HUB, CHU, PHU, PDU, HXC, HCE, CHW	1012903-0001	HUB SUPPORT
DT-008	HUB, CHU, PHU, PDU, HXC, HCE	0017-00104-0469	WASHER: M8.4X16.0X1.6 DIN D FLAT ST ZB (3)
DT-010	HUB, CHU, PHU, PDU, HXC, HCE	0017-00101-2150	SCREW: M8 X 1.25 X 6G6H X 20 UHS HXW CS ST ZB
DT-011	HUB, CHU, PHU, PDU, HXC, HCE	1003388-0001	NUT: M8X1.25-6H6H DIN L LOCKNUT ST ZB (5)
DT-012	HUB, CHU, PHU, PDU, HXC	1001620-0001	ASSY: GENERATOR
	HCE, CHW	1003381-0001	ASSY: GENERATOR
DT-013	HUB, CHU, PHU, PDU, HXC, HCE, CHW	0017-00100-0257	RNG: EXT.: DSH-18; STL, BP (METRIC)
DT-016	HUB, CHU, HXC, HCE, CHW	1015421-0001	KIT: CLUTCH, 18MM
	PHU, PDU	CONTACT CUSTOMER SERVICE FOR DETAILS.	
DT-017	HUB, CHU, PHU, PDU, HXC, HCE, CHW	0017-00101-1944	SCREW M8 X 1.25 X 80 UNS HEX CS G5
DT-018	HUB, CHU, PHU, PDU, HXC, HCE, CHW	0017-00009-1191	INSERT, M8
DT-019	HUB, CHU, PHU, PDU, HXC, HCE, CHW	1013510-0001	SCREW M8 X 1.25 X 65 HEX ZN (3)

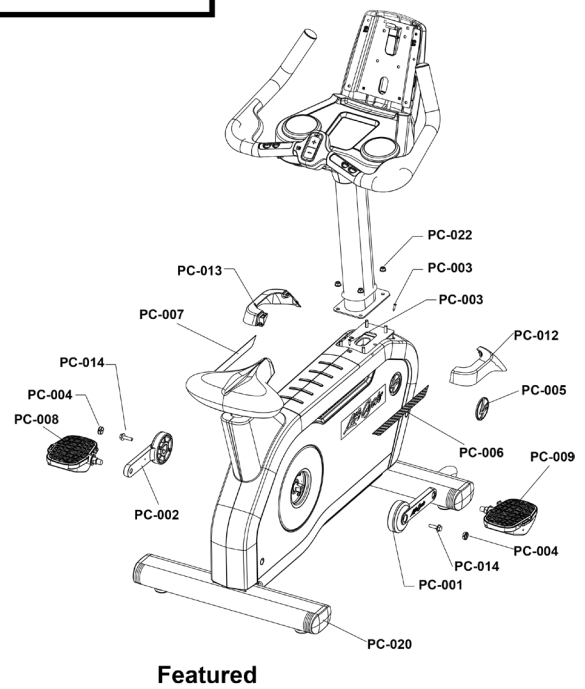
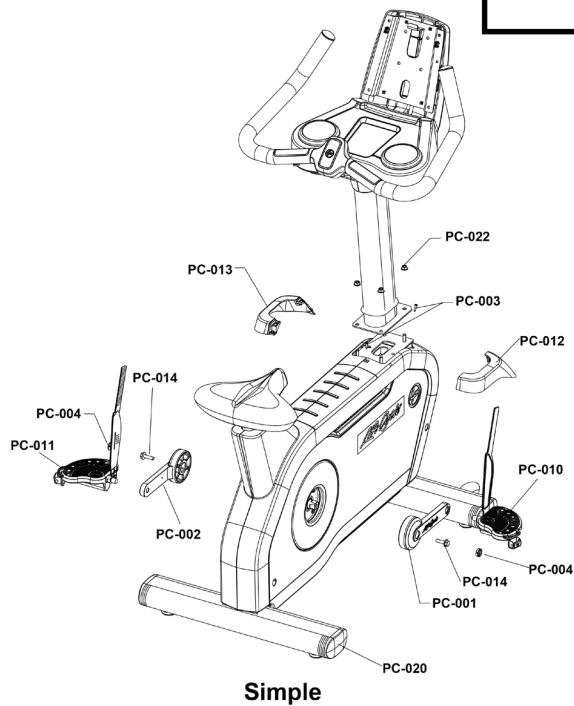
Pedals and Crank Arms

Parts List on next page

Serial Numbers up to 200000



Serial Numbers 200001 and above

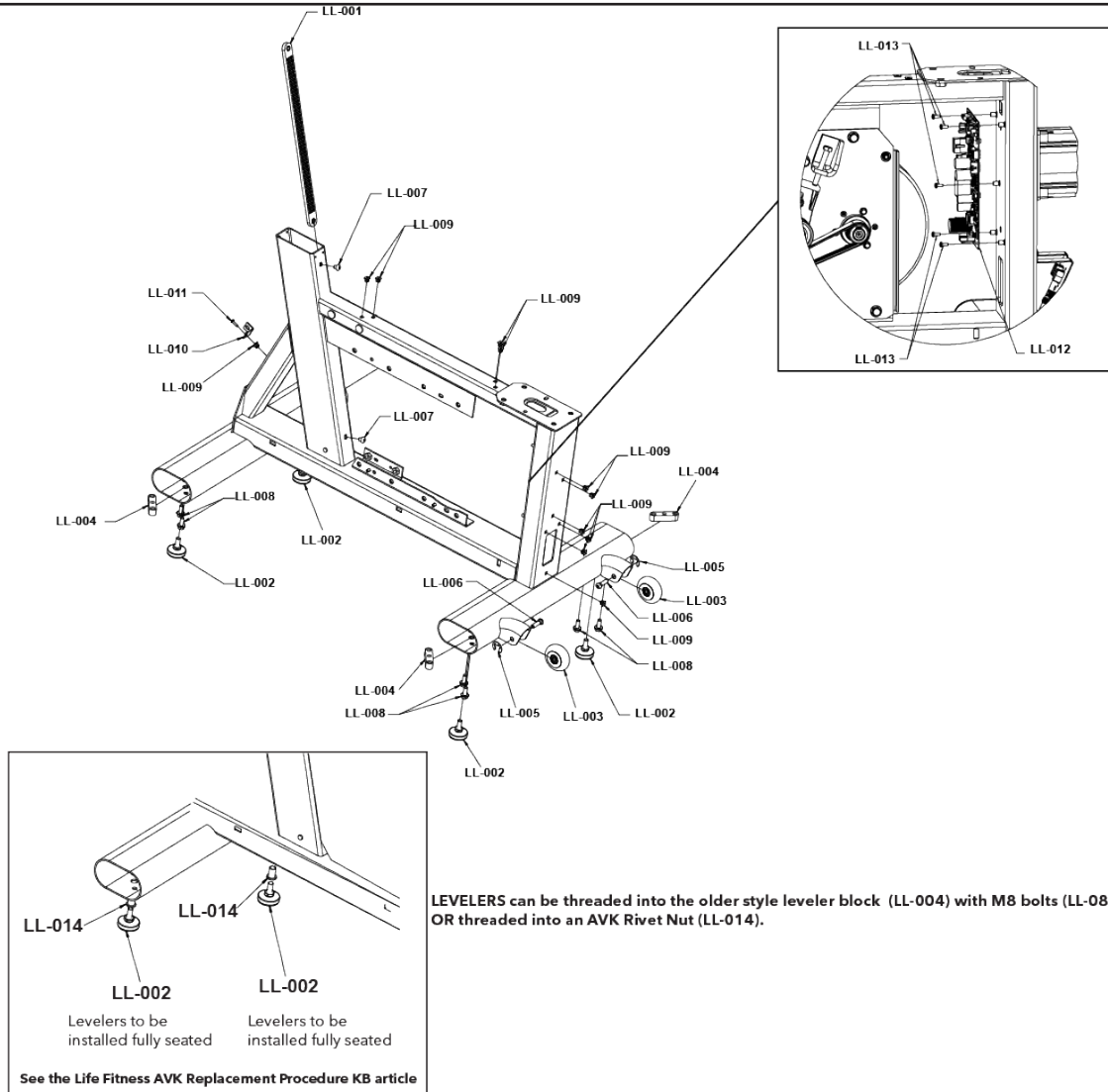


Pedals and Crank Arms

Parts List

Item	Alpha Code	Part Number	Description (Quantity)
PC-001	HUB, CHU, PHU, PDU, HXC, HCE, CHW	0K76-01054-0000	CRANK ARM: RIGHT
PC-002	HUB, CHU, PHU, PDU, HXC, HCE, CHW	0K76-01053-0000	CRANK ARM: LEFT
PC-003	HUB, CHU, PHU, PDU, HXC, HCE, CHW	0017-00101-1796	SCREW: M4.2 X 0.7 6g6g X 19 DIN PHL PAN AB ST ZB (2)
PC-004	HUB, CHU, PHU, PDU, HXC, HCE, CHW	0K66-01121-XXXX	CAP: CRANK (2)
PC-005	HUB, CHU, HXC, CHW	AK58-00245-XXXX	ASSEMBLY: MEDALLION 'BUG' CHGR (2)
PC-006	HUB, CHU, HXC, CHW	1003706-0001	DECAL: VENT DETAIL, RIGHT
PC-007	HUB, CHU, HXC, CHW	1003705-0001	DECAL: VENT DETAIL, LEFT
PC-008	HUB, CHU, HXC, CHW	AK66-00048-0701	PEDAL/STRAP ASSY: STANDARD; LEFT; BLK
PC-009	HUB, CHU, HXC, CHW	AK66-00047-0701	PEDAL/STRAP ASSY: STANDARD; RIGHT; BLK
PC-010	HUB, PHU, PDU, HCE	1006921-0001	ASSEMBLY: PEDAL, LIFECYCLE, RIGHT
PC-011	HUB, PHU, PDU, HCE	1006920-0001	ASSEMBLY: PEDAL, LIFECYCLE, LEFT
PC-012	HUB, CHU, PHU, PDU, HXC, HCE, CHW	1001593-2400	SHROUD ASSEMBLY: MONOCOLUMN, RIGHT, CHARCOAL GREY
PC-013	HUB, CHU, PHU, PDU, HXC, HCE, CHW	1001594-2400	SHROUD: MONOCOLUMN, LEFT, CHARCOAL GREY
PC-014	HUB, CHU, PHU, PDU, HXC, HCE, CHW	0017-00101-2077	SCREW: M8 X 1.0 6G6H X 30 UNS HW CS ST ZS (2)
PC-020	HUB, CHU, PHU, PDU, HXC, HCE, CHW	1002166-0700	ENDCAP: LARGE FLOV, BLACK (4)
PC-021	HUB, CHU, PHU, PDU, HXC, HCE	0017-00101-2150	SCREW: M8 X 20 UHS HW CS ST ZB (4)
PC-022	HUB, CHU, PHU, PDU, HXC, HCE	1013499-0001	NUT: M8 X1.25 HEX LOCK ZINC

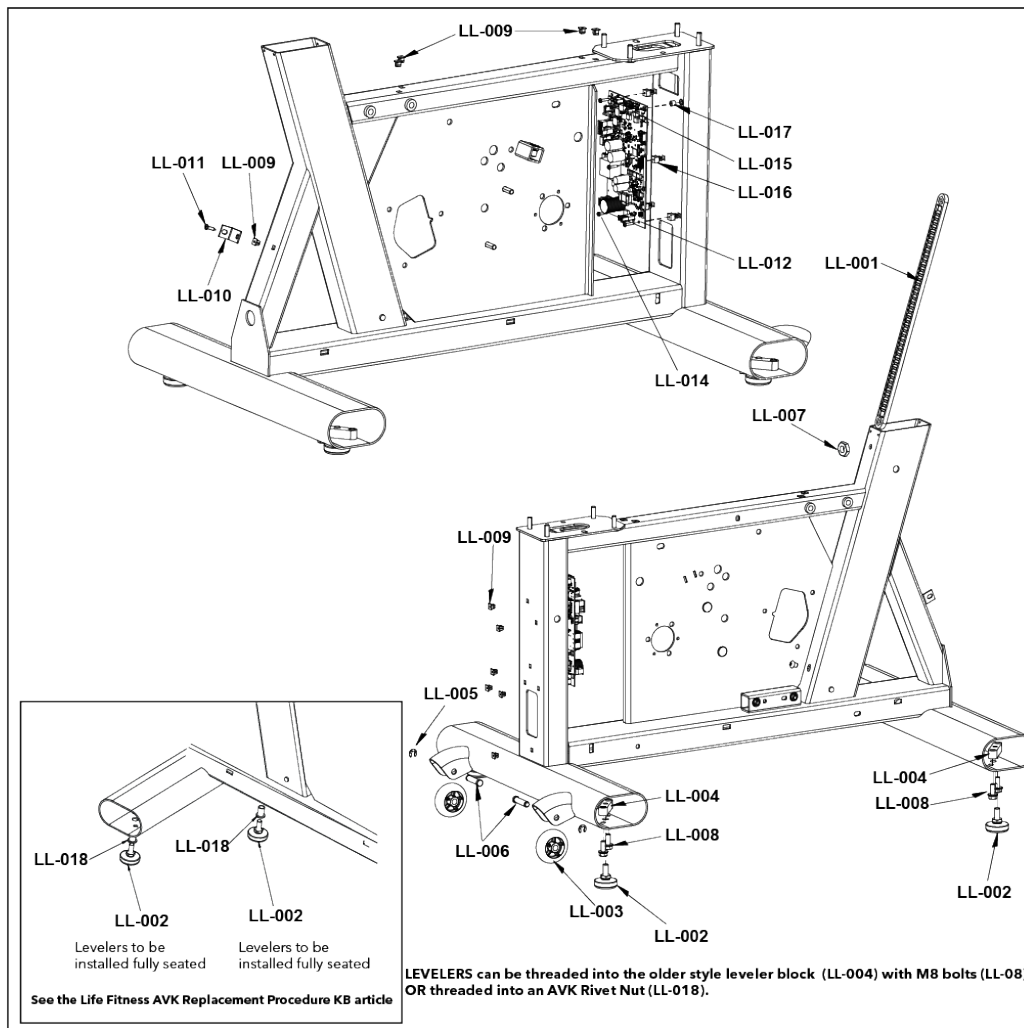
Leg Levelers, Front Roller and PCB Resistance Control - Serial Numbers up to 200000



Parts List

Item	Alpha Code	Part Number	Description (Quantity)
LL-001	HUB, CHU, PHU, PDU, HXC, HCE, CHW	1022354-0001	RACK ASSY: UP DOWN
LL-002	HUB, CHU, PHU, PDU, HXC, HCE, CHW	AK62-00124-0000	LEG-LVLR ASSY: MFG; METRIC (4)
LL-003	HUB, CHU, PHU, PDU, HXC, HCE, CHW	1010977-0001	ASSEMBLY: FRONT ROLLER (2)
LL-004	HUB, CHU, PHU, PDU, HXC, HCE, CHW	1001040-0001	BLOCK: LEVELER (4)
LL-005	HUB, CHU, PHU, PDU, HXC, HCE, CHW	1011049-0001	E-RING (2)
LL-006	HUB, CHU, PHU, PDU, HXC, HCE, CHW	1011048-0001	CLEVIS PIN: 10MM O.D.
LL-007	HUB, CHU, PHU, PDU, HXC, HCE, CHW	0017-00103-0338	VMI NUT M8X1.25-6H6H DIN L THIN ST ZB B(2)
LL-008	HUB, CHU, PHU, PDU, HXC, HCE, CHW	0017-00101-2150	SCREW: M8 X 1.25 X 6G6H X 20 UHS HXW CS ST ZB (8)
LL-009	HUB, CHU, PHU, PDU, HXC, HCE, CHW	0017-00042-1147	GROMMET: SCREW (11)
LL-010	HUB, CHU, PHU, PDU, HXC, HCE, CHW	1002971-0001	BRACKET: SHROUD CLIP
LL-011	HUB, CHU, PHU, PDU, HXC, HCE, CHW	0017-00101-1796	SCREW: M4.2 X 0.7 6g6g X 19 DIN PHL PAN AB ST ZB
LL-012	HUB, CHU, PHU, PDU, HXC, HCE, CHW	1003117-0011	PCB ASSEMBLY: RESISTANCE CONTROL
LL-013	HUB, CHU, PHU, PDU, HXC, HCE, CHW	0017-00101-1989	SCREW: M4 6G6G X 10 PHL PAN ST ZN (5)
LL-014	HUB, CHU, PHU, PDU, HXC, HCE, CHW	1020846-0001	INSERT: M10 X 1.5 X 19.75, INTERNAL, ST

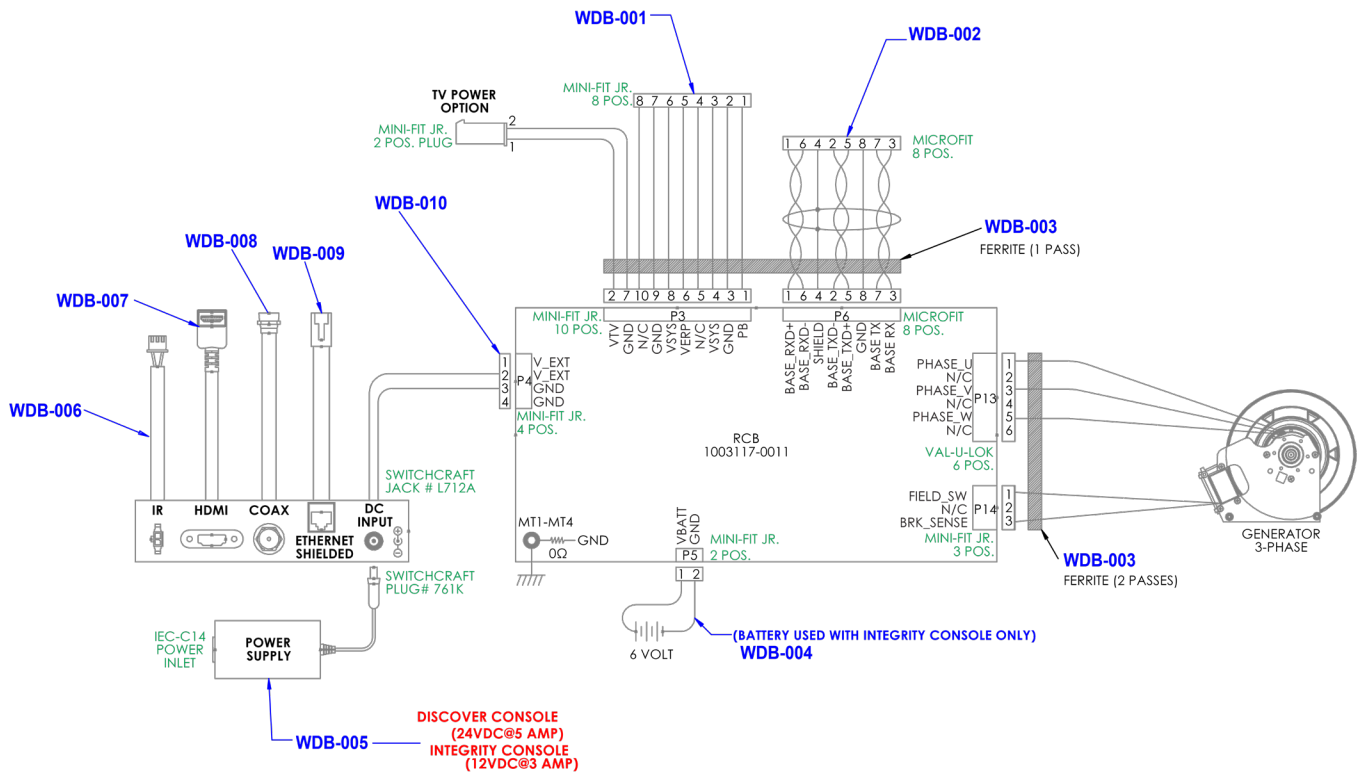
Leg Levelers, Front Roller and PCB Resistance Control - Serial Numbers 200001 and Above



Parts List

Item	Alpha Code	Part Number	Description (Quantity)
LL-001	HUB, CHU, PHU, PDU, HXC, HCE, CHW	1022354-0001	RACK ASSY: UP DOWN
LL-002	HUB, CHU, PHU, PDU, HXC, HCE, CHW	AK62-00124-0000	LEG-LVLR ASSY: MFG; METRIC (4)
LL-003	HUB, CHU, PHU, PDU, HXC, HCE, CHW	1010977-0001	ASSEMBLY: FRONT ROLLER (2)
LL-004	HUB, CHU, PHU, PDU, HXC, HCE, CHW	1001040-0001	BLOCK: LEVELER (4)
LL-005	HUB, CHU, PHU, PDU, HXC, HCE, CHW	1011049-0001	E-RING (2)
LL-006	HUB, CHU, PHU, PDU, HXC, HCE, CHW	1011048-0001	CLEVIS PIN: 10MM O.D.
LL-007	HUB, CHU, PHU, PDU, HXC, HCE, CHW	0017-00103-0338	VMI NUT M8X1.25-6H6H DIN L THIN ST ZB B(2)
LL-008	HUB, CHU, PHU, PDU, HXC, HCE, CHW	0017-00101-2150	SCREW: M8 X 1.25 X 6G6H X 20 UHS HXW CS ST ZB (8)
LL-009	HUB, CHU, PHU, PDU, HXC, HCE, CHW	0017-00042-1147	GROMMET: SCREW (11)
LL-010	HUB, CHU, PHU, PDU, HXC, HCE, CHW	1002971-0001	BRACKET: SHROUD CLIP
LL-011	HUB, CHU, PHU, PDU, HXC, HCE, CHW	0017-00101-1796	SCREW: M4.2 X 0.7 6g6g X 19 DIN PHL PAN AB ST ZB
LL-012	HUB, CHU, PHU, PDU, HXC, HCE, CHW	1003117-0011	PCB ASSEMBLY: RESISTANCE CONTROL
LL-014	HUB, CHU, PHU, PDU, HXC, HCE, CHW	0017-00101-1838	SCREW: M3.5 X 19 DIN PHL PAN ST ZN (4)
LL-015	HUB, CHU, PHU, PDU, HXC, HCE, CHW	0017-00101-1874	SCREW: M4 X 16 PHL PAN ST ZN
LL-016	HUB, CHU, PHU, PDU, HXC, HCE, CHW	0017-00042-0821	GROMMET: PLAST (4)
LL-017	HUB, CHU, PHU, PDU, HXC, HCE, CHW	1013169-0001	SPACER, ALUMINUM
LL-018	HUB, CHU, PHU, PDU, HXC, HCE, CHW	1020846-0001	INSERT: M10 X 1.5 X 19.75, INTERNAL, ST

Wiring Diagram - Base

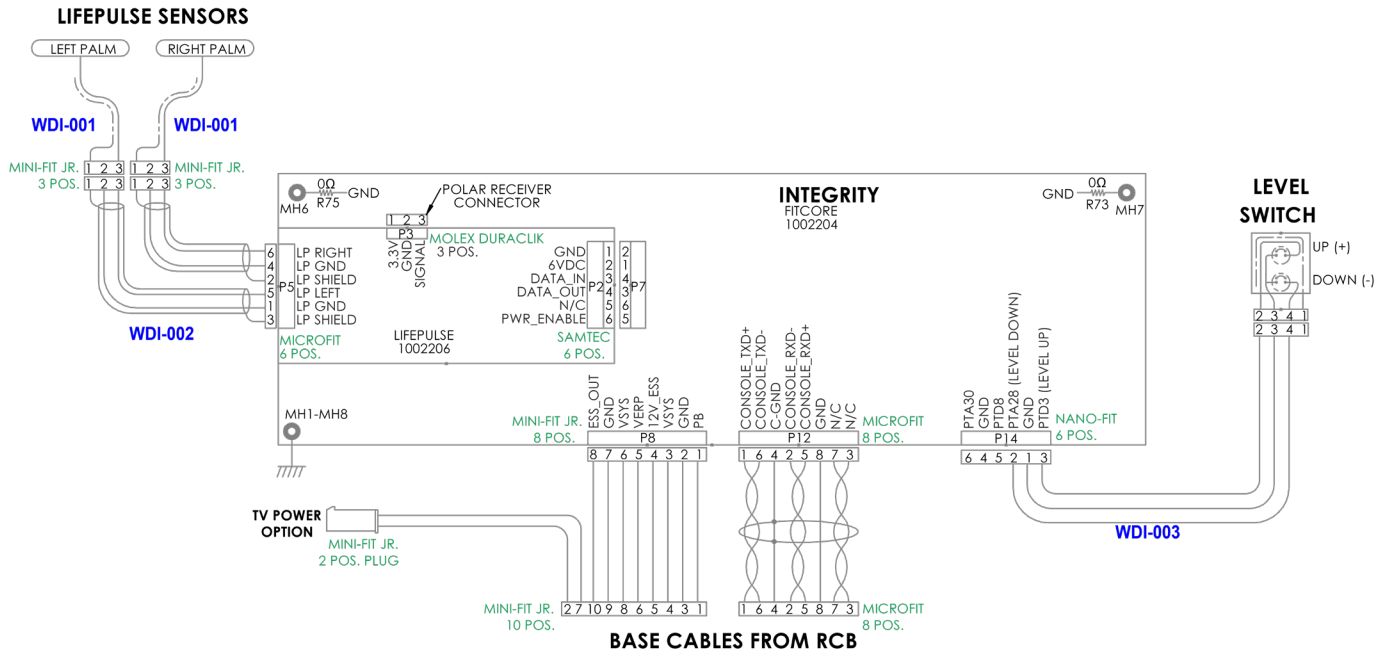


Parts List

Item	Alpha Code	Part Number	Description (Quantity)
WDB-001	HXC	1002258-0002	CABLE: CONSOLE TO BASE. POWER, RECUMBENT BIKE
	HUB, CHU, PHU PDU, HCE, CHW	1002258-0006	CABLE: CONSOLE TO BASE, POWER, RECUMBENT BIKE
WDB-002	HXC	1002239-0002	CABLE: CONSOLE TO BASE, SIGNAL, RECUMBENT BIKE
	HUB, CHU, PHU, PDU, HCE, CHW	1002239-0007	CABLE: CONSOLE TO BASE, SIGNAL, RECUMBENT BIKE
WDB-003	HUB, CHU, PHU, HXC, HCE, CHW	121E-00001-0023	CORE: FERRITE; SUPPRESSION B
WDB-004	HUB, CHU, PHU, CHW	AK69-00106-0000	CABLE ASSY: BATTERY, NON-TREADS, 26 INCH (USED FOR INTEGRITY CONSOLES)
WDB-005	HUB, CHU, PHU	1001517-0001	POWER SUPPLY: 12 VDC, 3A (USED FOR INTEGRITY CONSOLES)
	PDU, HCE	1004808-0001	POWER SUPPLY, 100-240VAC TO 24VDC, 5A, 2.5MM PLUG (USED FOR DISCOVER CONSOLE)
WDB-006	HXC, HCE	1001671-0003	CABLE: IR, CONSOLE TO PANEL, UPRIGHT BIKE (FEATURED BASE ONLY)
WDB-007	HXC, HCE	1001653-0001	CABLE ASSEMBLY: HDMI, PANEL MOUNT, RIGHT, UPRIGHT BIKE (FEATURED BASE ONLY)
WDB-008	HUB, CHU, PHU, PDU, HXC, HCE, CHW	AK65-00062-0000	COAX ASSY: RG6; BASE
WDB-009	PHU, PDU, HXC, HCE	AK70-00092-0004	CABLE ASSY: CAT5E; V2
WDB-010	HUB, CHU, PHU, PDU, HXC, HCE, CHW	1003521-0001	CABLE: POWER, RCB TO PANEL, 5A, UPRIGHT BIKE

NOTE: MUST USE the 12VDC power supply with Integrity X or C Console. DO NOT USE a 24VDC power supply!

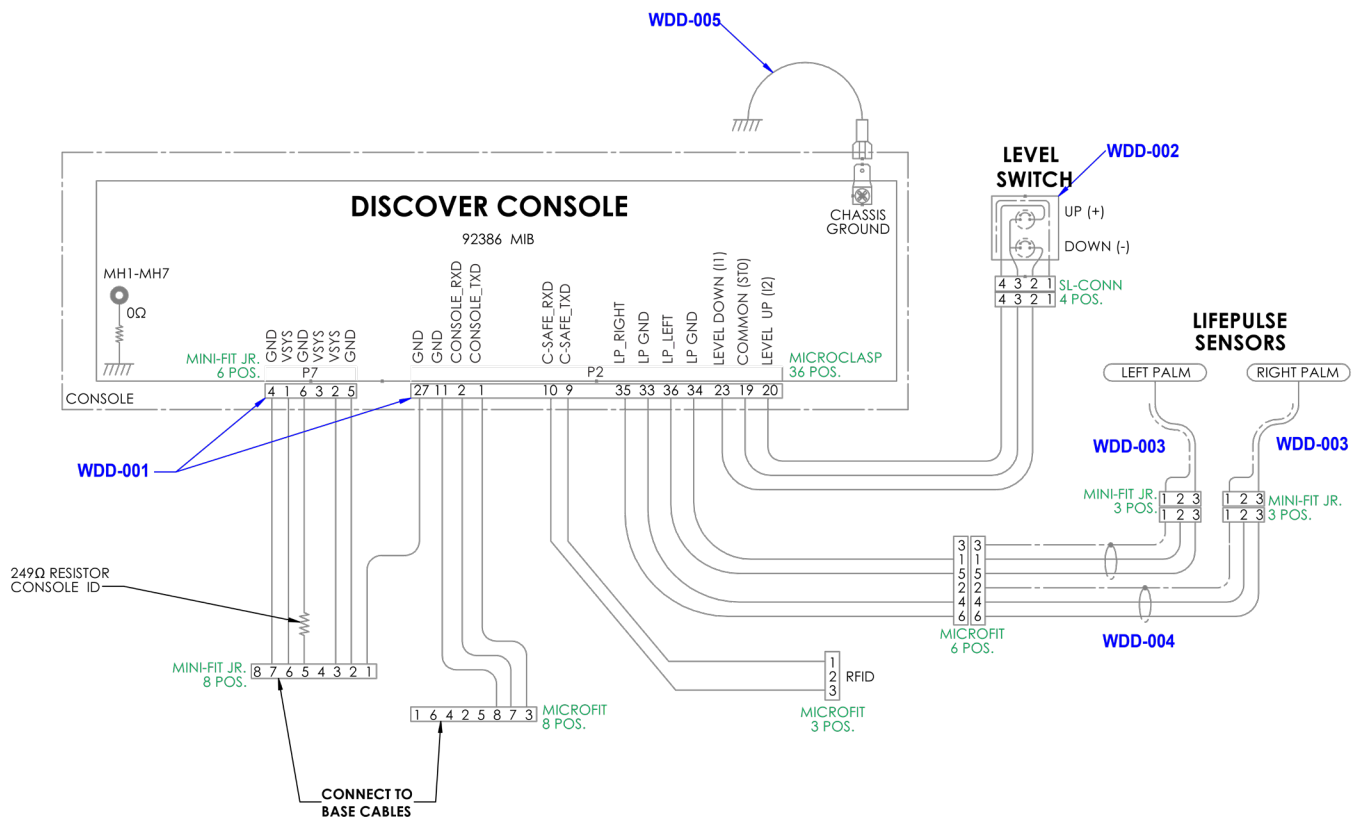
Wiring Diagram - Integrity X and C Consoles



Parts List

Item	Alpha Code	Part Number	Description (Quantity)
WDI-001	HUB, CHU, PHU, PDU, HXC, HCE, CHW	1004560-0001	CABLE: LIFEPULSE ELECTRODES
WDI-002	HUB, CHU, PHU, PDU, HXC, HCE, CHW	1003838-0003	CABLE: LIFEPULSE TO ELECTRODE
WDI-003	HUB, CHU, CHW	1003839-0002	CABLE: CONSOLE TO BASE KEYPADS


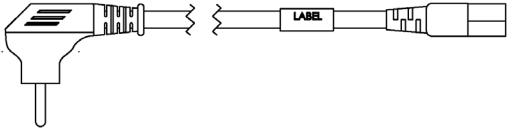
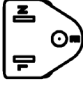
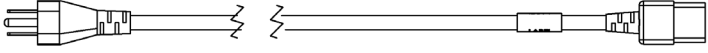

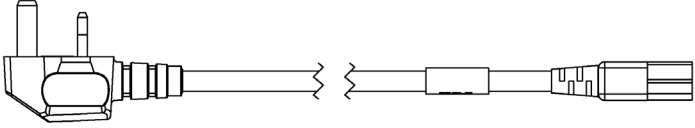

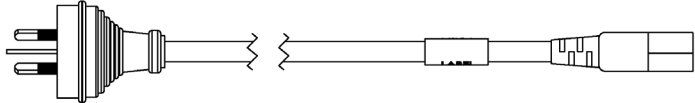
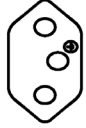
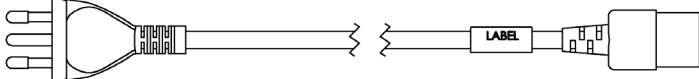

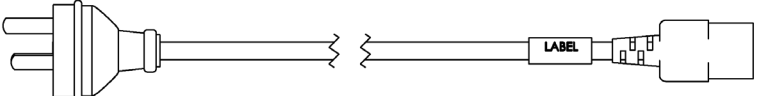
Wiring Diagram - Discover Console



Parts List

Item	Alpha Code	Part Number	Description (Quantity)
WDD-001	PDU, HXC, HCE	1006763-0001	CABLE: DISCOVER TO HERCULES ADAPTOR, UPRIGHT BIKE
WDD-002	HUB, CHU, HXC, CHW	1001633-0000	KEYPAD: UP, DOWN (FEATURED BASE ONLY)
WDD-003	HUB, CHU, PHU PDU, HXC, HCE, CHW	1004560-0001	CABLE: LIFEPULSE ELECTRODES
WDD-004	HUB, CHU, PHU PDU, HXC, HCE, CHW	1003838-0003	CABLE: LIFEPULSE TO ELECTRODE
WDD-005	-	AK26-00348-0001	CBL-ASSY: JMPR;OUTLET/GRND B

Power Cords

LC-001		
LC-002		
LC-003		
LC-004		
LC-005		
LC-006		

Parts List

Item	Alpha Code	Part Number	Description (Quantity)
LC-001	CHW, CHU, HCE, HUB, HXC, PDU, PHU	0017-00003-0691	LINE-CORD: CON 10A 250V
LC-002		0017-00003-0704	LINE-CORD: DOM. 10A 125V
LC-003		0017-00003-0889	LINE-CORD: 10A; U.K
LC-004		0017-00003-0918	LINE-CORD: AUSTRALIA
LC-005		0017-00003-1053	LINE-CORD: BRAZIL, IEC-C13
LC-006		0017-00003-1067	LINE-CORD: ARGENTINA, IRAM 2073, IEC-C13