

Integrity Upright Lifecycle® Bike with Integrity SL Console

(INCS-ALLXM-5101, INCD-ALLXM-7201, INCD-ALLXM-5101, INCD-ALLXM-7101, INCD-ALLXM-7301, PF-INT-UB-4687726, CSLUD-ALLXM-7201)

JJO / FCU

PARTS MANUAL



Table of Contents

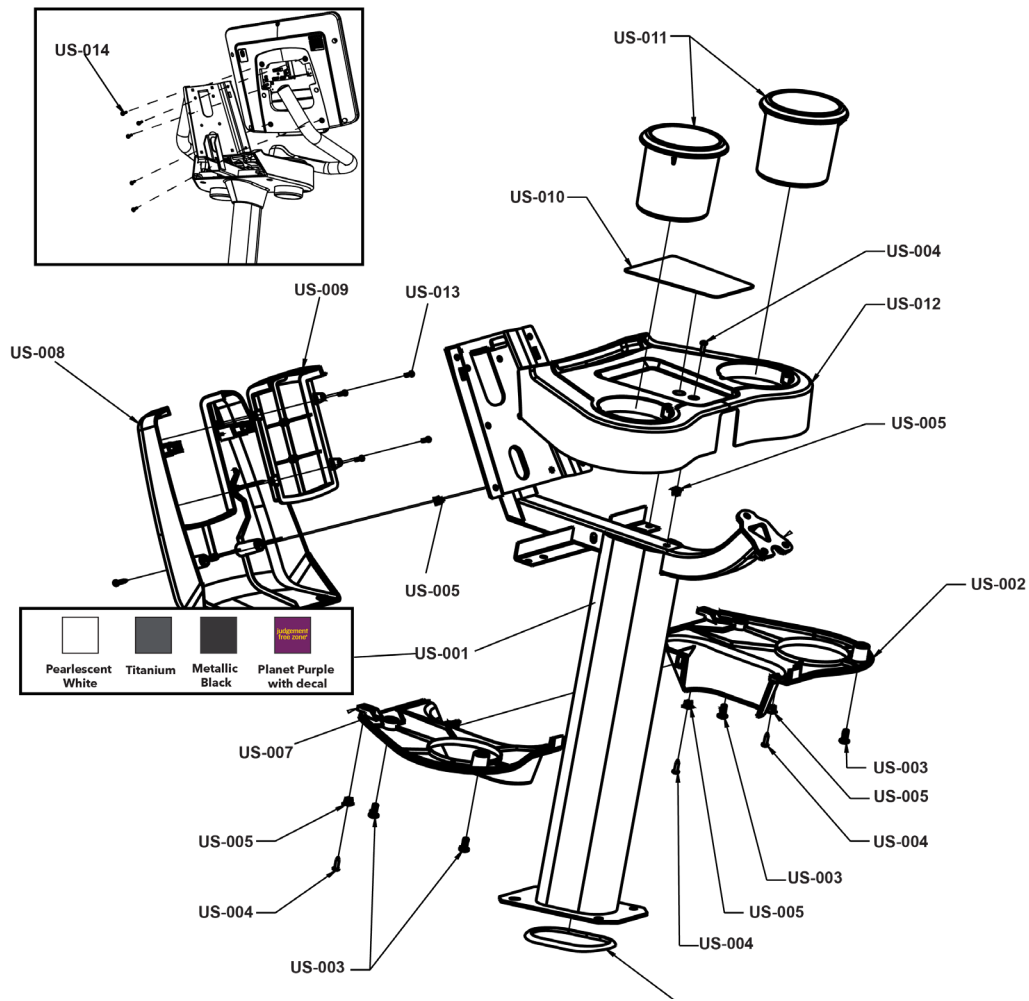
Finished Good SKUs	3
Upper Shrouds and Monocolumn	4
Handlebars and Activity Zone	5
Frame Shrouds	6
Plugs and Battery	7
Seat and Seat Post	8
Drivetrain	10
Pedals and Crank Arms	11
Leg Levelers, Front Roller and PCB Resistance Control	13
Wiring Diagram: Base with Integrity SL Console	14
Power Cords	15
Integrity SL Console	16

Finished Good SKUs

Parts List

Finished Good SKU	Alpha Code / SKU	Description	Starting Serial Number
INCS-ALLXM-5101	JJO	INT-UB-B1.SMP.BS1.ASL.ENG.NON - Upright Bike Base Arctic Silver - McFly PTO base	100001
INCD-ALLXM-7201		INT-UB-B1.DLX.BS1.TTN.ENG.NON - Upright Bike Base Titanium - McFly PTO base	
INCD-ALLXM-5101		INT-UB-B1.DLX.BS1.ASL.ENG.NON - Upright Bike Base Arctic Silver - McFly PTO base	
INCD-ALLXM-7101		INT-UB-B1.DLX.BS1.DWT.ENG.NON - Diamond White Upright Bike D Base - McFly PTO Base	
INCD-ALLXM-7301		INT-UB-B1.DLX.BS1.DWT.ENG.NON - Diamond White Upright Bike D Base - McFly PTO Base	
PF-INT-UB-4687726	PF-INT-UB-4687726	.PF-INT-UB.BSC.PPC.ENG.SLXBX.F.E.N.NON	
CSLUD-ALLXM-7201	FCU	.INT-UB-CS-B1.DLX.BS1.TTN.ENG.DLV (McFly PTO Club Series Plus Upright Bike Base)	300000

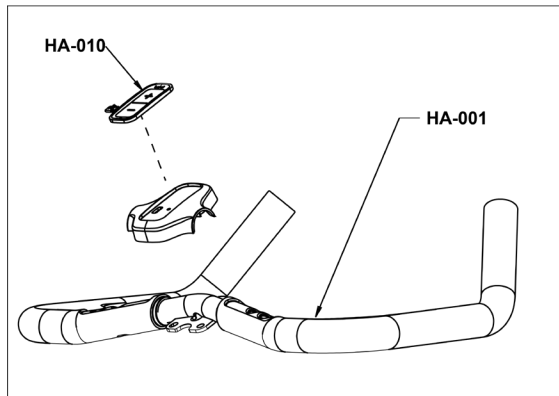
Upper Shrouds and Monocolumn



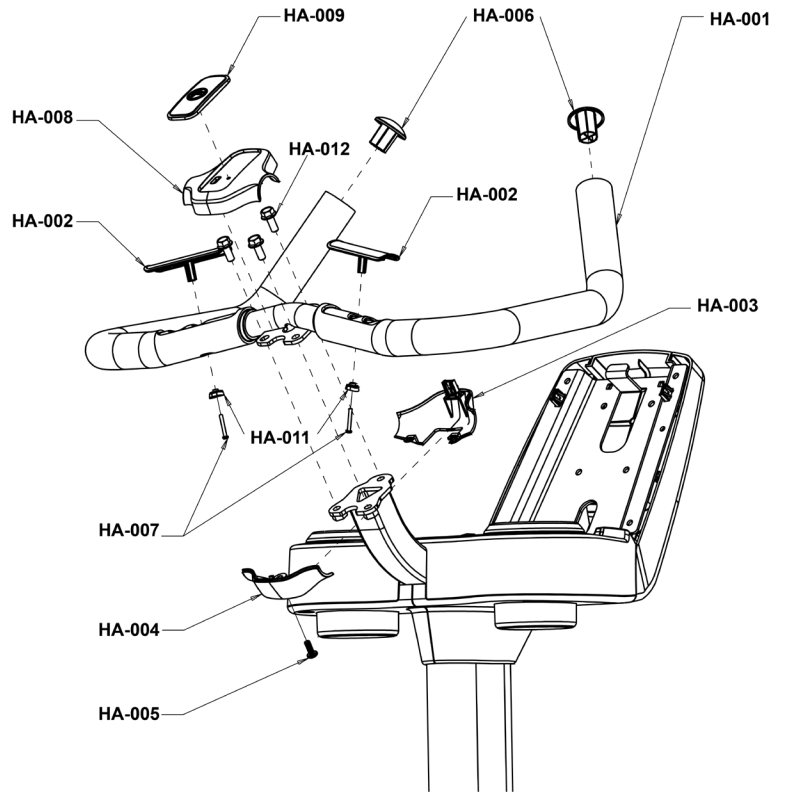
Parts List

Item	Alpha Code/ SKU	Part Number	Description (Quantity)
US-001	JJO	1001523-5100	WELDMENT: MONOCOLUMN, ARCTIC SILVER ROBUST
	JJO	1001523-7100	WELDMENT: MONOCOLUMN, UPRIGHT, PEARLESCENT WHITE ROBUST
	JJO / FCU	1001523-7200	WELDMENT: MONOCOLUMN, TITANIUM ROBUST
	JJO	1001523-7300	WELDMENT: MONOCOLUMN, UPRIGHT, METALLIC BLACK ROBUST
	PF-INT-UB-4687726	1012966-0001	ASSEMBLY: MONOCOLUMN W/DECAL, PURPLE, ROBUST
US-002	JJO / FCU / PF-INT-UB-4687726	1001606-2400	SHROUD: BOTTOM, RIGHT, CHARCOAL GREY
US-003	JJO / FCU / PF-INT-UB-4687726	0017-00101-2138	SCREW: M6x1.0x16 DIN PHL PAN MS ST ZB (4)
US-004	JJO / FCU / PF-INT-UB-4687726	0017-00101-1796	SCREW: M4.2 X 0.7 6g6g X 19 DIN PHL PAN AB ST ZB (5)
US-005	JJO / FCU / PF-INT-UB-4687726	0017-00042-1147	GROMMET: SCREW; 8 OR 10US-005 (4)
US-006	JJO / FCU / PF-INT-UB-4687726	1003232-0700	GASKET: MONOCOLUMN, BLACK
US-007	JJO / FCU / PF-INT-UB-4687726	1001607-2400	SHROUD ASSEMBLY: BOTTOM, LEFT, CHARCOAL GREY
US-008	JJO / FCU / PF-INT-UB-4687726	1001608-2400	SHROUD: REAR, CHARCOAL GREY
US-009	JJO / FCU / PF-INT-UB-4687726	1012962-0001	ASSEMBLY: REAR SHROUD W/ DECAL, FILLER, CHARCOAL GREY
US-010	JJO / FCU / PF-INT-UB-4687726	1001610-0700	PAD: UPRIGHT TRAY, BLACK
US-011	JJO / FCU / PF-INT-UB-4687726	1001034-2400	CUPHOLDER: LOCKING, CHARCOAL GREY (2)
US-012	JJO / FCU / PF-INT-UB-4687726	1001605-2400	SHROUD ASSEMBLY: TOP, CHARCOAL GREY
US-013	JJO / FCU / PF-INT-UB-4687726	0017-00101-1650	SCREW: VMI 6-19X 6 PHL PAN PLT ST BZ B (4)
US-014	JJO / FCU / PF-INT-UB-4687726	0017-00101-1940	SCREW: M5 X 0.8 X 14, PHL, PAN, MS, ST, ZN (5) <i>(for mounting console)</i>

Handlebars and Activity Zone



Featured

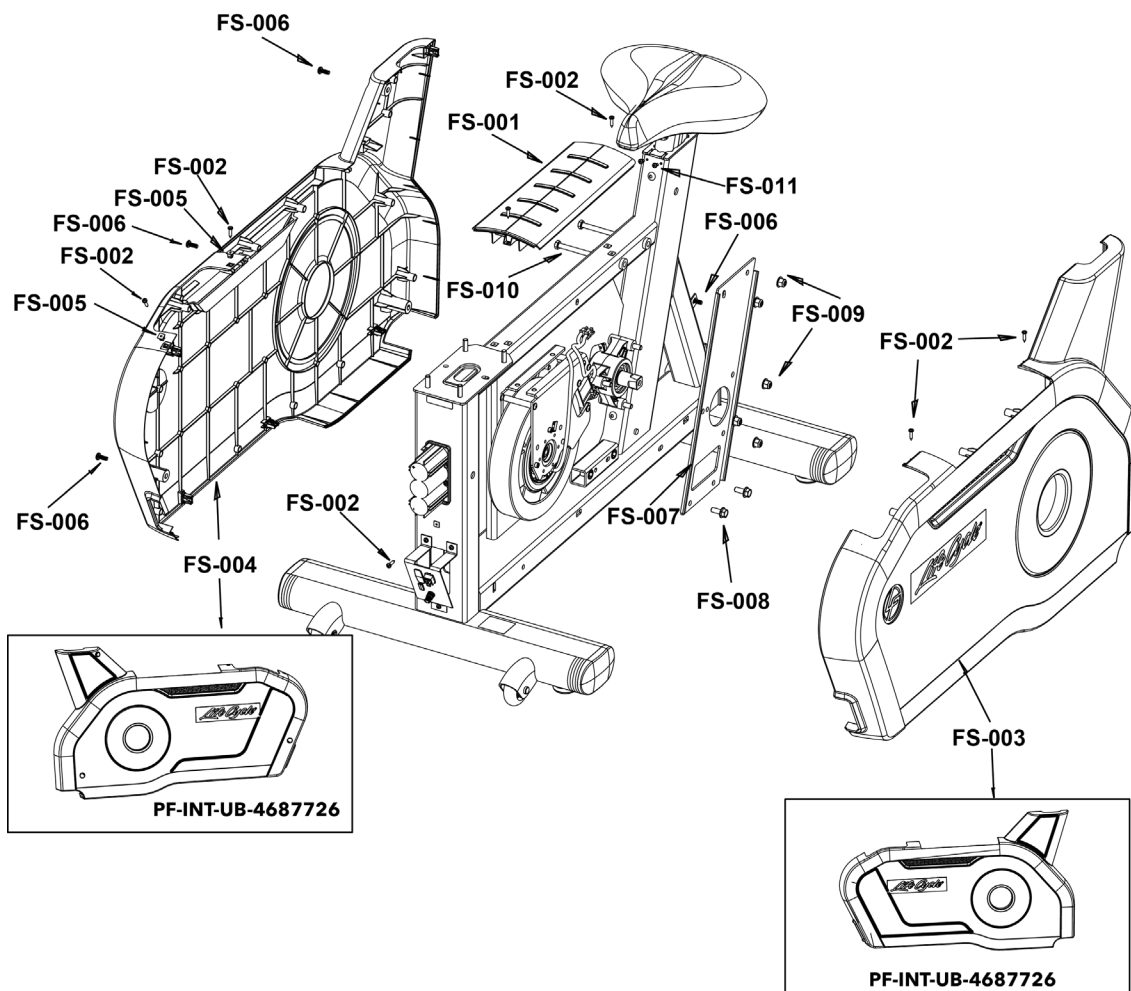


Simple

Parts List

Item	Alpha Code / SKU	Part Number	Description (Quantity)
HA-001	JJO / PF-INT-UB-4687726	1001562-0700	HANDLEBAR: UPRIGHT, SIMPLE, BLACK
	JJO / FCU	1001563-0700	HANDLEBAR: UPRIGHT, FEATURED, BLACK
HA-002	JJO / FCU / PF-INT-UB-4687726	AK63-00014-XXXX	ELECTRODE: INSERT MOLDED; CHGR (2)
HA-003	JJO / FCU / PF-INT-UB-4687726	1001631-2400	SHROUD: ACTIVITY ZONE, BOTTOM FRONT, CHARCOAL GREY
HA-004	JJO / FCU / PF-INT-UB-4687726	1001630-2400	SHROUD: ACTIVITY ZONE, BOTTOM REAR, CHARCOAL GREY
HA-005	JJO / FCU / PF-INT-UB-4687726	0017-00101-2138	SCREW: M6x1.0x16 DIN PHL PAN MS ST ZB
HA-006	JJO / FCU / PF-INT-UB-4687726	0K63-01114-XXXX	ENDCAP, HANDLEBAR (2)
HA-007	JJO / FCU / PF-INT-UB-4687726	0017-00101-1720	SCREW: 6-19X16 PHL PAN (2)
HA-008	JJO / FCU / PF-INT-UB-4687726	1001629-2400	SHROUD: ACTIVITY ZONE, TOP FEATURED, CHARCOAL GREY
HA-009	JJO / PF-INT-UB-4687726	1001632-0700	SHROUD: ACTIVITY ZONE, SIMPLE FILLER, BLACK
HA-010	JJO / FCU	1001633-0000	KEYPAD: UP, DOWN
HA-011	JJO / FCU / PF-INT-UB-4687726	0K66-01141-XXXX	PLUG: INSULATOR (2)
HA-012	JJO / FCU / PF-INT-UB-4687726	0017-00101-2150	SCREW: M8 X 1.25 X 6G6H X 20 UHS HXW CS ST ZB (3)

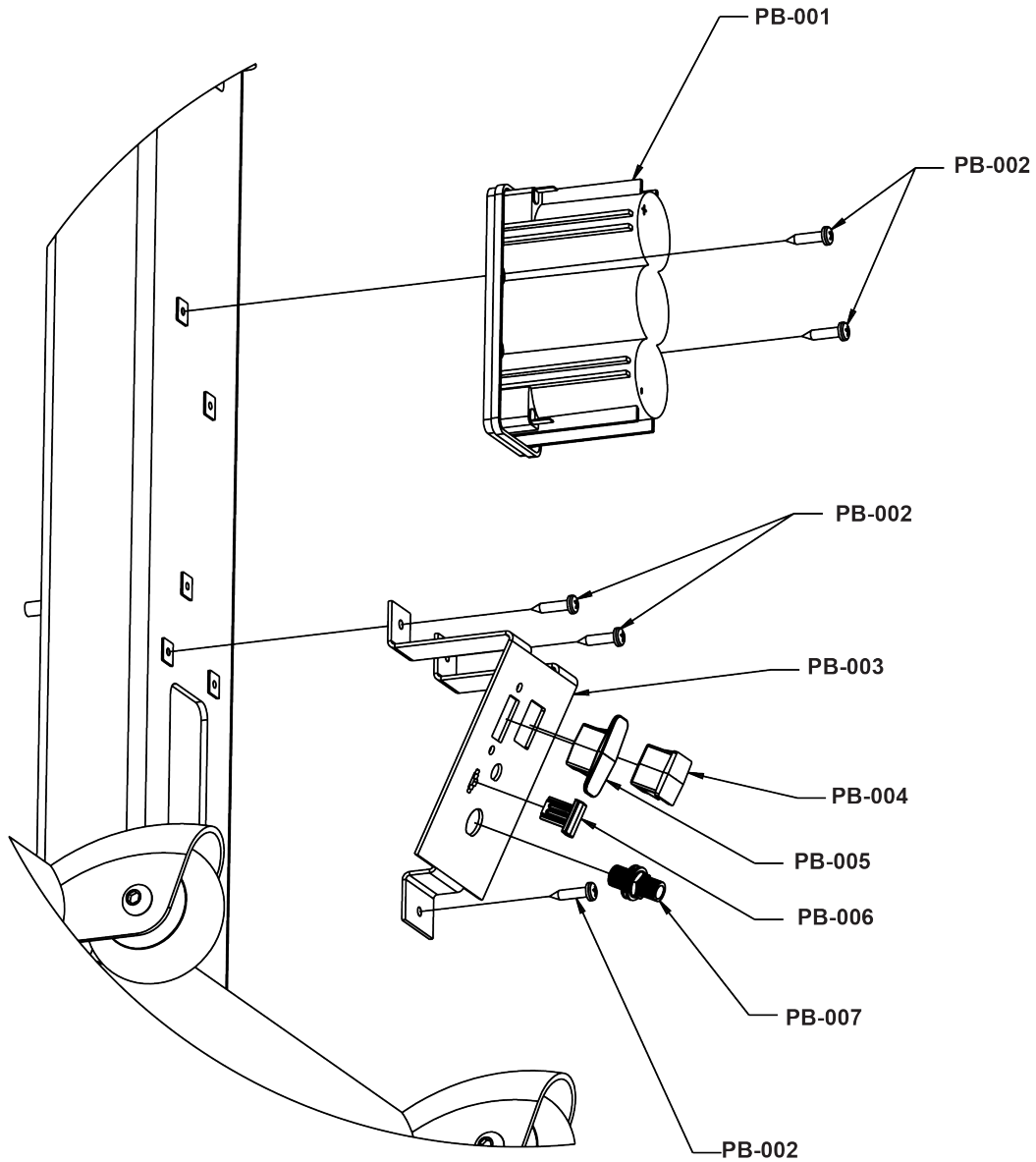
Frame Shrouds (Left, Right, and Top Cover)



Parts List

Item	Alpha Code / SKU	Part Number	Description (Quantity)
FS-001	JJO / FCU / PF-INT-UB-4687726	1001595-0700	SHROUD: TOP COVER, BLACK
FS-002	JJO / FCU / PF-INT-UB-4687726	0017-00101-1796	SCREW: M4.2 X 0.7 6g6g X 19 DIN PHL PAN AB ST ZB (7)
FS-003	JJO / FCU	1012960-0001	ASSEMBLY: SHROUD W/ DECAL, MAIN, LEFT, CHARCOAL GREY
	PF-INT-UB-4687726	1012964-0001	ASSEMBLY: SHROUD W/DECAL, MAIN, LEFT, PLANET
FS-004	JJO / FCU	1012961-0001	ASSEMBLY: SHROUD W/ DECAL, MAIN, RIGHT, CHARCOAL GREY
	PF-INT-UB-4687726	1012965-0001	ASSEMBLY: SHROUD W/DECAL, MAIN, RIGHT, PLANET
FS-005	JJO / FCU / PF-INT-UB-4687726	0017-00042-1147	GROMMET: SCREW (2)
FS-006	JJO / FCU / PF-INT-UB-4687726	0017-00101-2138	SCREW: M6x1.0x16 DIN PHL PAN MS ST ZB (4)
FS-007	JJO / FCU / PF-INT-UB-4687726	1012903-0001	SHEET METAL: HUB SUPPORT
FS-008	JJO / FCU / PF-INT-UB-4687726	0017-00101-2150	SCREW: M8 X 1.25 X 6G6H UHS HXW CS ST ZB (2)
FS-009	JJO / FCU / PF-INT-UB-4687726	1003388-0001	NUT: M8 X 1.25 HEX LOCKNUT (5)
FS-010	JJO / FCU / PF-INT-UB-4687726	0017-00101-1944	SCREW: M8 X 80 HEX CX G5 (2)
FS-011	JJO / FCU / PF-INT-UB-4687726	0017-00101-1968	SCREW: M4 X 10 PHL PAN TT ST ZS (4)

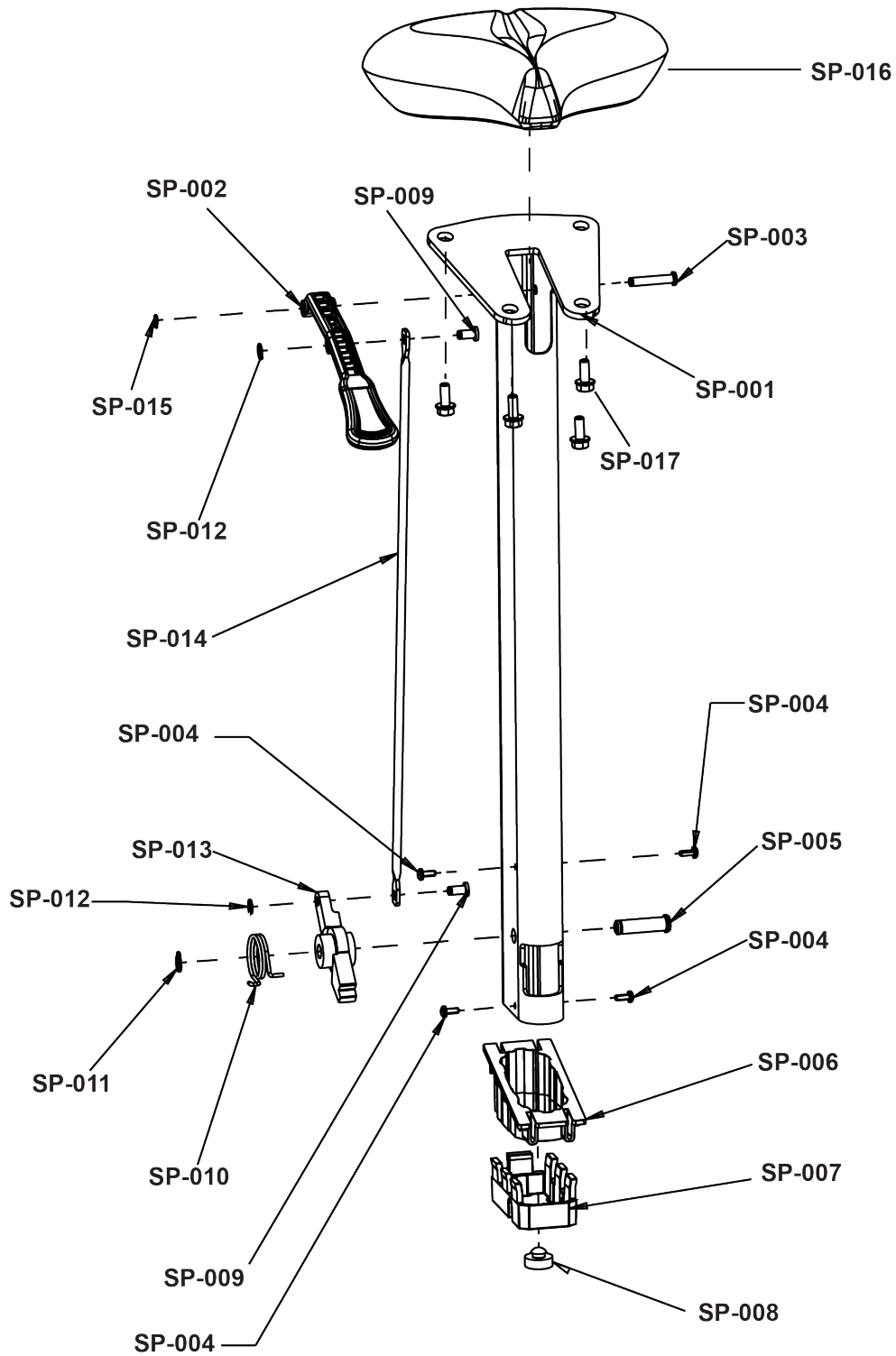
Plugs and Battery



Parts List

Item	Alpha Code / SKU	Part Number	Description (Quantity)
PB-001	JJO / FCU / PF-INT-UB-4687726	0017-00003-0685	BATTERY: 6 VOLT
PB-002		0017-00101-1796	SCREW: M4.2 X 0.7 6g6g X 19 DIN PHL PAN AB ST ZB (5)
PB-003		1001537-0001	SHEET METAL:BRACKET, COM PORT
PB-004		1004601-0001	PLUG: RJ45 RECEPTACLE
PB-005		1005393-0700	PLUG: HDMI, BLACK
PB-006		1005470-0700	PLUG: IR PORT, BLACK
PB-007		0017-00021-2846	F-CONNECTOR: COAX, PANEL MOUNT

Seat and Seat Post



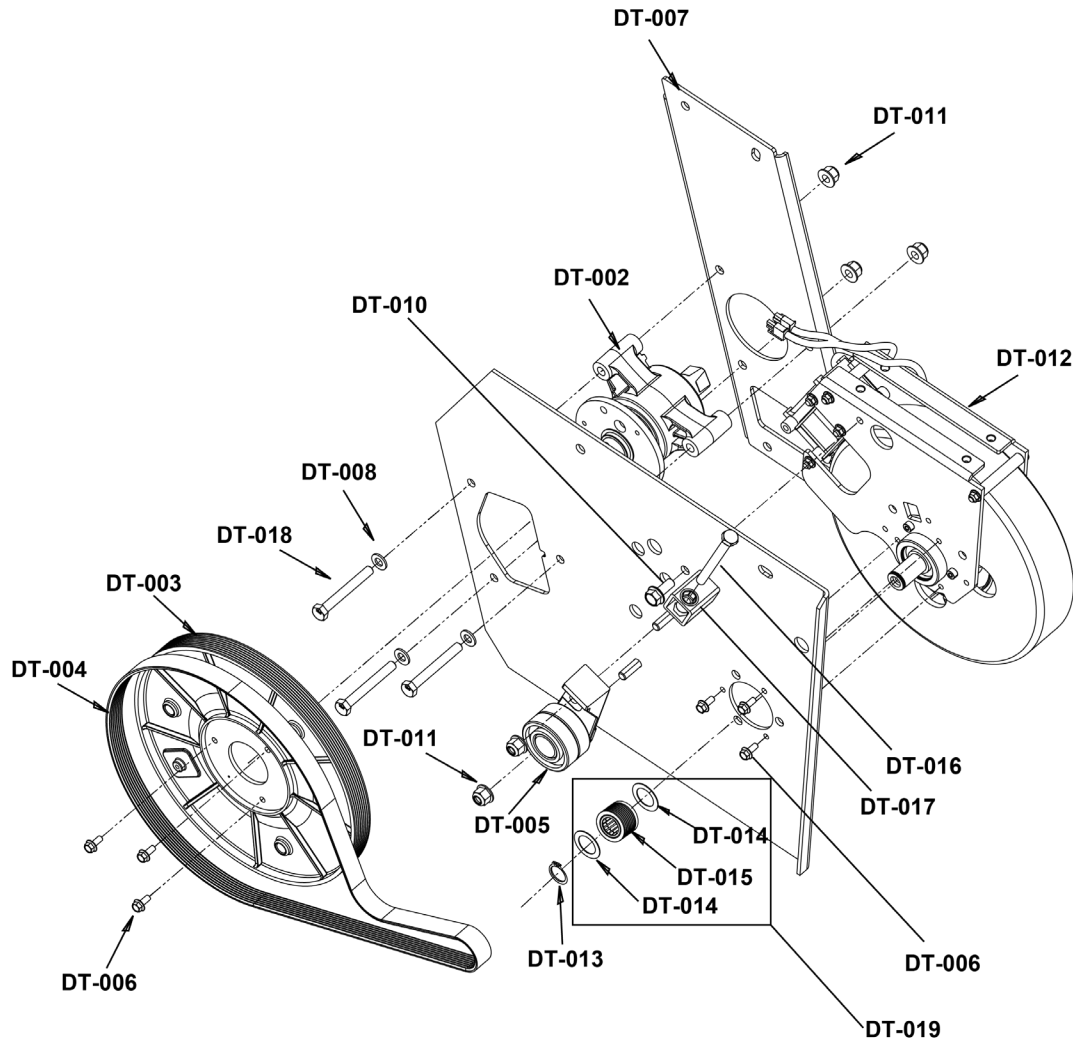
Parts listed on following page.

Seat and Seat Post *(continued)*

Parts List

Item	Alpha Code / SKU	Part Number	Description (Quantity)
SP-001	JJO / FCU / PF-INT-UB-4687726	1012963-0001	ASSEMBLY: SEAT POST W/ DECAL
SP-002		1001615-0500	HANDLE: UPRIGHT SEAT ADJUSTMENT, RED
SP-003		1001557-0001	PIN: PIVOT, HANDLE
SP-004		0017-00101-1968	M4 X 0.7 X 10 PHL PAN TT ST ZS (4)
SP-005		1001558-0001	PIN: PIVOT, LATCH
SP-006		1001555-0001	BUSHING: SEAT POST, UPPER
SP-007		1001556-0001	BUSHING: SEAT POST, LOWER
SP-008		0K77-01066-0000	BUMPER: EPDM
SP-009		0K77-01028-0000	PIN: ROD; LOWER
SP-010		0K77-01032-0000	SPRING: UP/DOWN
SP-011		0017-00100-0253	RNG:BRE 10.0 ST PP
SP-012		0017-00100-0250	RNG: E 6.0 MM ST PH (2)
SP-013		0K77-01031-0000	LATCH: UP/DOWN
SP-014		0K77-01027-0000	ROD: UP/DOWN
SP-015		1001646-0001	RING: RETAINING, 6MM, EXTERNAL
SP-016		1004863-0001	SEAT: UPRIGHT
SP-017		0017-00101-2150	SCREW: M8 X 1.25 X 6G6H X 20 UHS HXW CS ST ZB (4)

Drivetrain



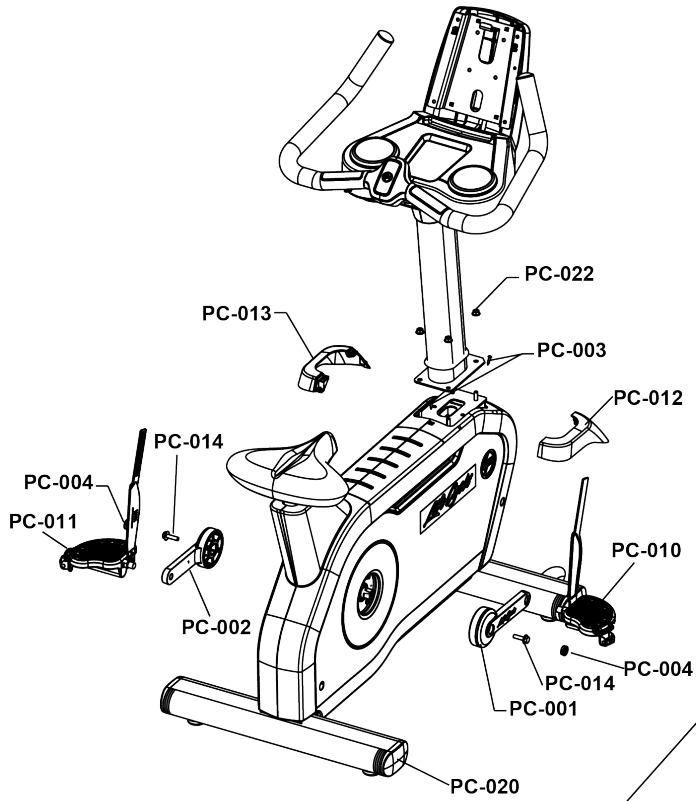
Parts List

Item	Alpha Code / SKU	Part Number	Description (Quantity)
DT-002	JJO / FUC / PF-INT-UB-4687726	AK66-00151-0000	HUB ASSY: CRANKSHAFT; ELEVATION, UNIPLAT
DT-003		1004280-0001	PULLEY: POLY V; MOLDED, J-SECTION
DT-004		1004288-0001	BELT: POLY-V, 430 J8
DT-005		1017347-0001	ASSEMBLY: TENSIONER, IDLER
DT-006		0017-00101-2151	SCREW: M5 X 1.25 X 6G6G X 12 FLANGE HEAD CS G5 CD (6)
DT-007		1012903-0001	HUB SUPPORT
DT-008		0017-00104-0469	WASHER: M8.4X16.0X1.6 DIN D FLAT ST ZB (3)
DT-010		0017-00101-2150	SCREW: M8 X 1.25 X 6G6H X 20 UHS HXW CS ST ZB
DT-011		1003388-0001	NUT: M8X1.25-6H6H DIN L LOCKNUT ST ZB (5)
DT-012		1014174-0001	ASSY: GENERATOR, CLUTCH
DT-013		0017-00100-0242	RNG: EXT.: STL,PP
DT-014		0017-00104-0455	WSH: DELRIN (2)
DT-015		1004957-0001	ASSEMBLY: CLUTCH/SHEAVE 20MM
DT-016		0017-00101-1944	SCREW M8 X 1.25 X 80 UNS HEX CS G5
DT-017		0017-00009-1191	INSERT, M8
DT-018		1013510-0001	SCREW M8 X 1.25 X 65 HEX ZN (3)
DT-019		1015424-0001	KIT: CLUTCH & SHEEVE, 20MM NOTE: INCLUDES DT-014 AND DT-015

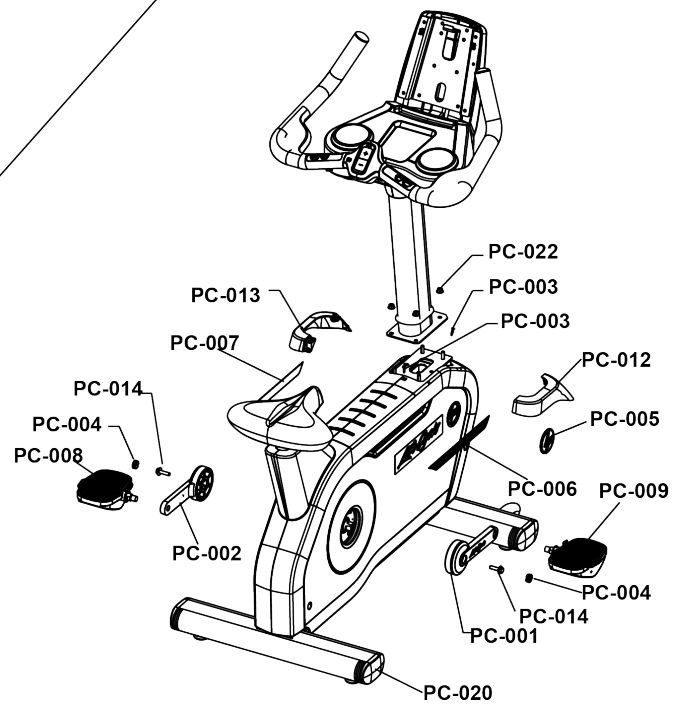
Pedals and Crank Arms

Parts List on next page

Simple



Featured

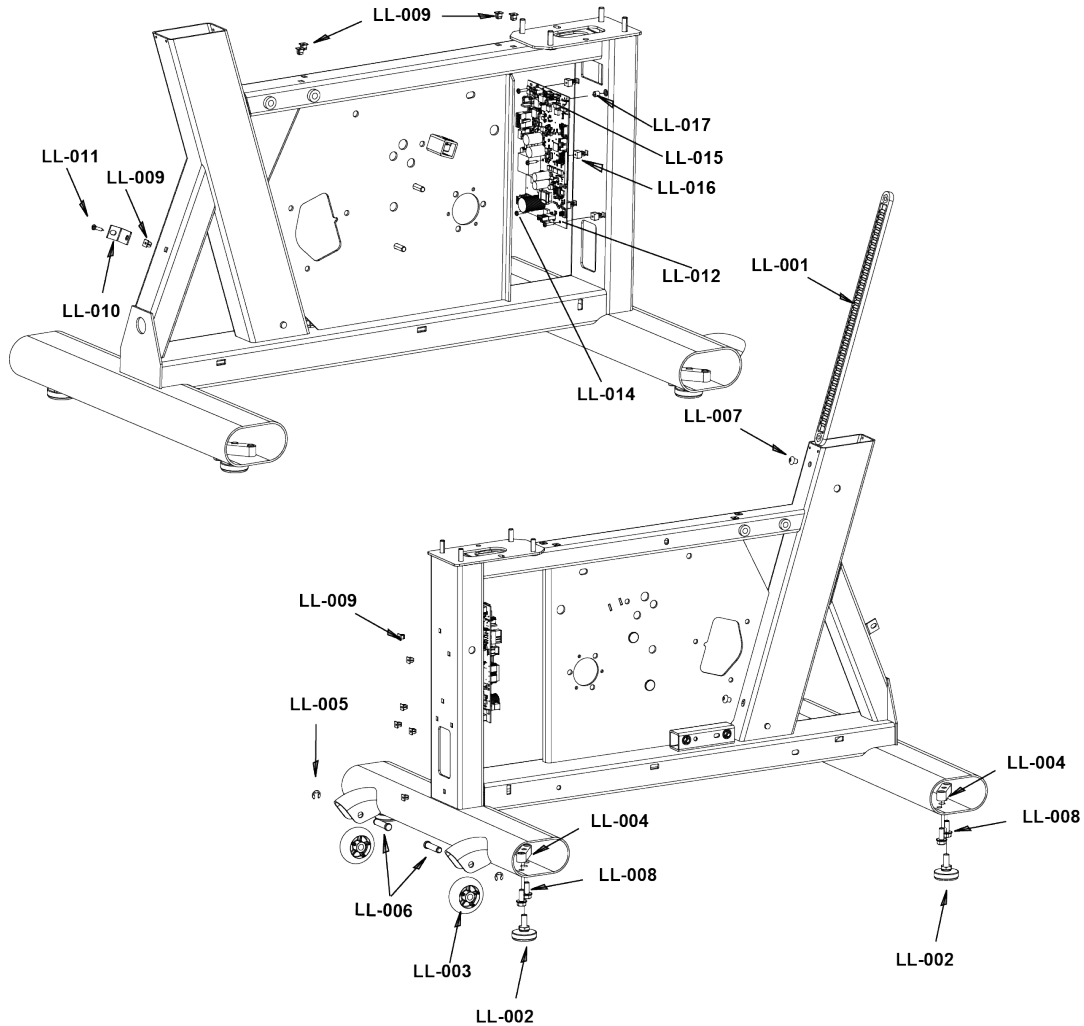


Pedals and Crank Arms

Parts List

Item	Alpha Code / SKU	Part Number	Description (Quantity)
PC-001	JJO / FCU / PF-INT-UB-4687726	0K76-01054-0000	CRANK ARM: RIGHT
PC-002	JJO / FCU / PF-INT-UB-4687726	0K76-01053-0000	CRANK ARM: LEFT
PC-003	JJO / FCU / PF-INT-UB-4687726	0017-00101-1796	SCREW: M4.2 X 0.7 6g6g X 19 DIN PHL PAN AB ST ZB (2)
PC-004	JJO / FCU / PF-INT-UB-4687726	0K66-01121-XXXX	CAP: CRANK (2)
PC-005	JJO / FCU	AK58-00245-XXXX	ASSEMBLY: MEDALLION 'BUG' CHGR (2)
PC-006	JJO/ FCU	1003706-0001	DECAL: VENT DETAIL, RIGHT
PC-007	JJO/ FCU	1003705-0001	DECAL: VENT DETAIL, LEFT
PC-008	JJO/ FCU	AK66-00048-0701	PEDAL/STRAP ASSY: STANDARD; LEFT; BLK
PC-009	JJO/ FCU	AK66-00047-0701	PEDAL/STRAP ASSY: STANDARD; RIGHT; BLK
PC-010	JJO / PF-INT-UB-4687726	1006921-0001	ASSEMBLY: PEDAL, LIFECYCLE, RIGHT
PC-011	JJO / PF-INT-UB-4687726	1006920-0001	ASSEMBLY: PEDAL, LIFECYCLE, LEFT
PC-012	JJO / FCU / PF-INT-UB-4687726	1001593-2400	SHROUD ASSEMBLY: MONOCOLUMN, RIGHT, CHARCOAL GREY
PC-013	JJO / FCU / PF-INT-UB-4687726	1001594-2400	SHROUD: MONOCOLUMN, LEFT, CHARCOAL GREY
PC-014	JJO / FCU / PF-INT-UB-4687726	0017-00101-2077	SCREW: M8 X 1.0 6G6H X 30 UNS HXW CS ST ZS (2)
PC-020	JJO / FCU / PF-INT-UB-4687726	1002166-0700	ENDCAP: LARGE FLOV, BLACK (4)
PC-022	JJO / FCU / PF-INT-UB-4687726	1013499-0001	NUT: M8 X1.25 HEX LOCK ZINC (4)

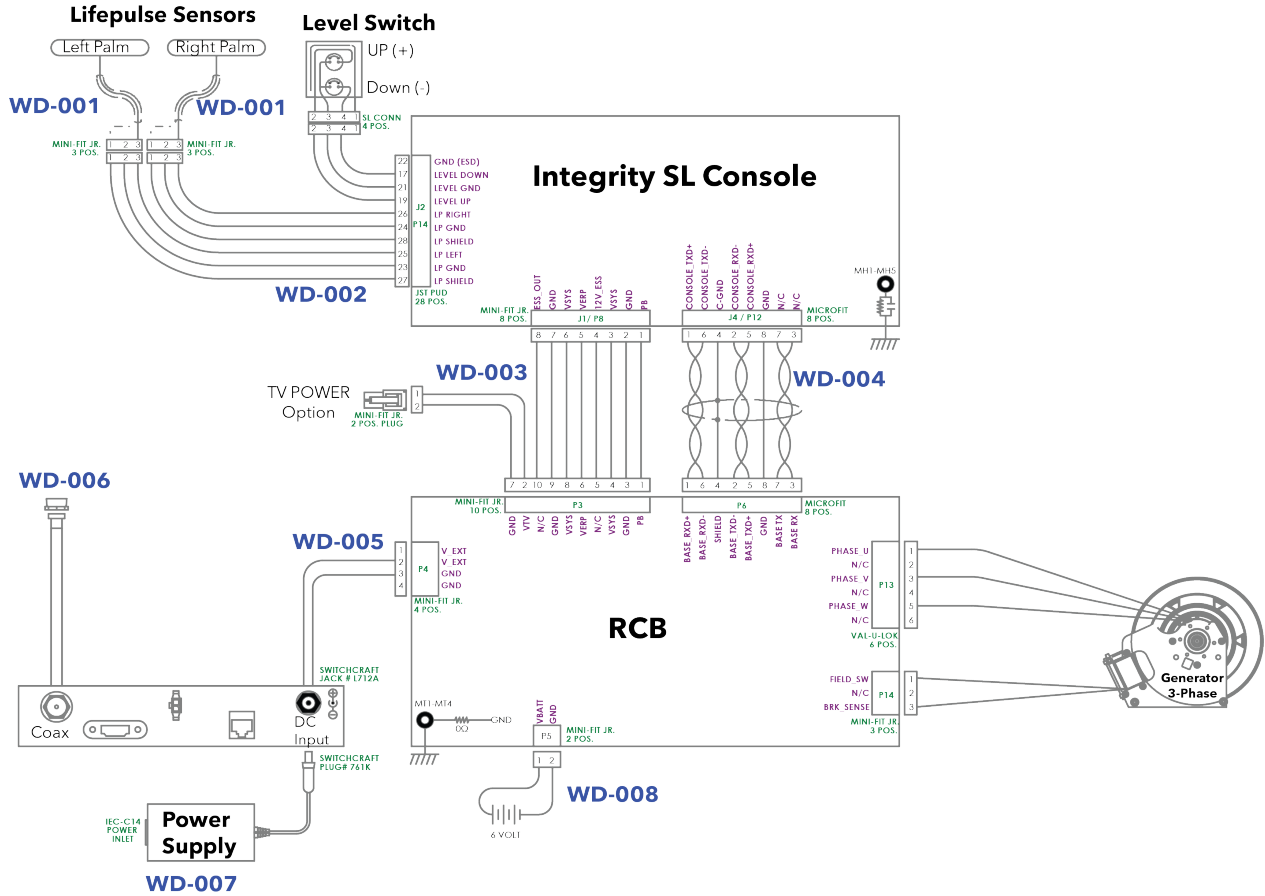
Leg Levelers, Front Roller and PCB Resistance Control



Parts List

Item	Alpha Code / SKU	Part Number	Description (Quantity)
LL-001		0K77-01033-0700	RACK: UP DOWN; BLACK
LL-002		AK62-00124-0000	LEG-LVLR ASSY: MFG; METRIC (4)
LL-003		1010977-0001	ASSEMBLY: FRONT ROLLER (2)
LL-004		1001040-0001	BLOCK: LEVELER (4)
LL-005		1011049-0001	E-RING (2)
LL-006		1011048-0001	CLEVIS PIN: 10MM O.D.
LL-007		0017-00101-2087	M8 X 10 HXS BUT CS ST ZB (2)
LL-008	JJO / FCU / PF-INT-UB-4687726	0017-00101-2150	SCREW: M8 X 20 UHS HXW CS ST ZB (8)
LL-009		0017-00042-1147	GROMMET: SCREW (11)
LL-010		1002971-0001	BRACKET: SHROUD CLIP
LL-011		0017-00101-1796	SCREW: M4.2 X 19 DIN PHL PAN AB ST ZB
LL-012		1015538-0011	PCB ASSEMBLY: RCB MCFLY
LL-014		0017-00101-1838	SCREW: M3.5 X 19 DIN PHL PAN ST ZN (4)
LL-015		0017-00101-1874	SCREW: M4 X 16 PHL PAN ST ZN
LL-016		0017-00042-0821	GROMMET: PLAST (4)
LL-017		1013169-0001	SPACER, ALUMINUM


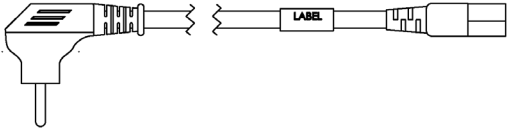

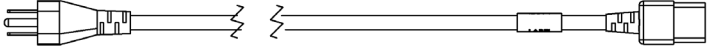

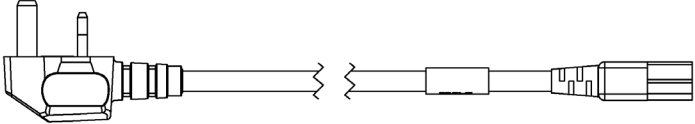

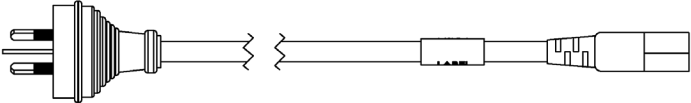

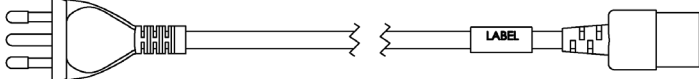

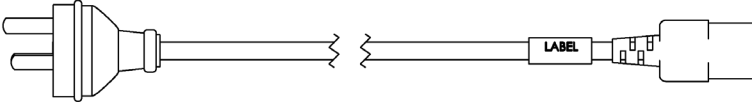
Wiring Diagram - Base with Integrity SL Console



Parts List

Item	Alpha Code / SKU	Part Number-	Description (Quantity)
WD-001	JJO / FCU / PF-INT-UB-4687726	1004560-0001	CABLE: LIFEPULSE ELECTRODES (2)
WD-002		1014602-0000	CABLE: MCFLY UPRIGHT, BASE INTERFACE
WD-003		1015794-0002	CABLE: MCFLY UPRIGHT, RECUMB, CONSOLE TO BASE, POWER
WD-004		1002239-0002	CABLE: CONSOLE TO BASE, SIGNAL, 1300MM
WD-005		1003521-0001	CABLE: POWER, RCB TO PANEL, 5A, UPRIGHT BIKE
WD-006		AK65-00062-0000	CABLE ASSY: COAX, RG6
WD-007		1004808-0001	POWER SUPPLY: 100-240VAC TO 24VDC, 5A, 2.5MM PLUG
WD-008		AK69-00106-0000	CABLE ASSY: BATTERY, NON-TREADS, 26 INCH

Power Cords

LC-001		
LC-002		
LC-003		
LC-004		
LC-005		
LC-006		

Parts List

Item	Alpha Code / SKU	Part Number	Description (Quantity)
LC-001	JJO / FCU / PF-INT-UB-4687726	0017-00003-0691	LINE-CORD: CON 10A 250V
LC-002		0017-00003-0704	LINE-CORD: DOM. 10A 125V
LC-003		0017-00003-0889	LINE-CORD: 10A; U.K
LC-004		0017-00003-0918	LINE-CORD: AUSTRALIA
LC-005		0017-00003-1053	LINE-CORD: BRAZIL, IEC-C13
LC-006		0017-00003-1067	LINE-CORD: ARGENTINA, IRAM 2073, IEC-C13

Integrity SL Console

See related Console Parts Manual for Console Parts List

