

# Int Plus Upright SE4 ASL Base

INC-SE4-ASLXF-13

## Parts Manual

6/14/2024 10:54:30 AM

**Table of Contents**

---

[A Legend Description](#).....3  
[Drivetrain](#).....4  
[Frame Shrouds \(Left, Right, and Top Cover\)](#).....5  
[Handlebars and Activity Zone](#).....6  
[Leg Levelers, Front Roller, and PCB Resistance Control](#).....7  
[Pedals and Crank Arms](#).....8  
[Plugs and Battery](#).....9  
[Power Cords](#).....10  
[Seat and Seat Post](#).....11  
[Upper Shrouds and Monocolumn](#).....12  
[Wiring Diagram with Integrity SL and Discover SE4 Consoles](#).....14

# A Legend Description

**Integrity +** Base Finished Good Example: **INT-SL-ASLHF-SW13**

<b>IN</b>	<b>T</b>	<b>SL</b>	<b>ASL</b>	<b>H</b>	<b>F</b>	<b>SW</b>	<b>13</b>
PRODUCT LINE: Integrity (INT) Club Series Plus (CS)	BASE TYPE: Treadmill (T) Cross-Trainer (X) Reclining Bike (R) Upright Bike (C)	CONSOLE CAPABILITY: Integrity SL (SL) Discover SE4 (SE4)	COLOR: Arctic Silver (ASL) Titanium (TTN) Black Onyx (BLK) Diamond White (DWT) Charcoal (CGC)	High Voltage (H) Low Voltage (L) Placeholder (X)	VERSION: Falco (F)	SERVICE WHEEL	REVISION

**Arc Trainer** Base Finished Good Example: **INA-LSL-TTNXF-13**

<b>IN</b>	<b>A</b>	<b>L</b>	<b>SL</b>	<b>TTN</b>	<b>X</b>	<b>F</b>	<b>13</b>
PRODUCT LINE: Integrity (IN)	BASE TYPE: Arc (A)	STYLE: Lower Body (L) Total Body (T)	CONSOLE CAPABILITY: Integrity SL (SL) Discover SE4 (SE4)	COLOR: Titanium (TTN) Arctic Silver (ASL) Black Onyx (BLK) Diamond White (DWT) Charcoal (CGC)	PLACEHOLDER	VERSION: Falco (F)	REVISION

**Aspire** Base Finished Good Example: **ASPT-ASLLN-12**

<b>ASP</b>	<b>T</b>	<b>ASL</b>	<b>L</b>	<b>N</b>	<b>12</b>
PRODUCT LINE: Aspire (ASP)	BASE TYPE: Treadmill (T) Cross-Trainer (X) Upright Bike (C) Reclining Bike (R)	COLOR: Arctic Silver (ASL) Charcoal (CGC)	VOLTAGE: Low (L) High (H)	VERSION: Neo (N)	REVISION

**SL Console** Finished Good Example: **SLA-CNSL-ENG-01**

<b>SL</b>	<b>A</b>	<b>CNSL</b>	<b>ENG</b>	<b>01</b>
CONSOLE TYPE: Integrity SL (SL)	BASE TYPE: Arc (A) Tread (T) PowerMill (P) Cross-Trainer / Bikes (XB)	Console (CNSL)	LANGUAGE: Three character language abbreviation	REVISION

**SE4 Console** Finished Good Example: **SE424T-EWXXP-01**

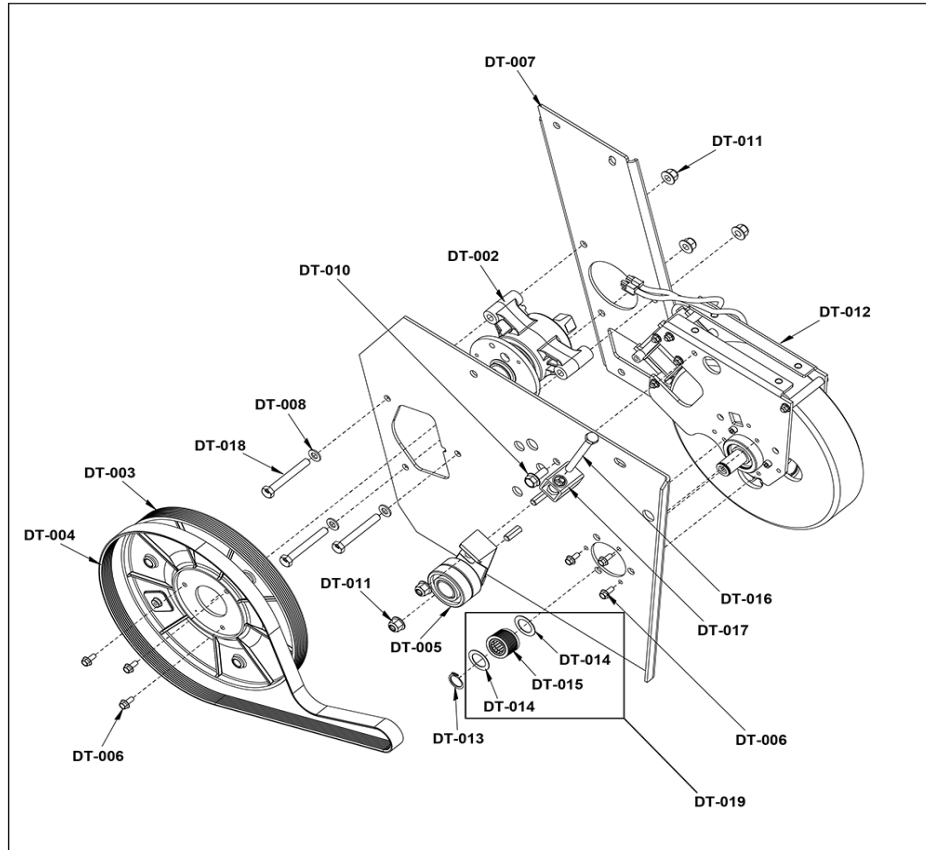
<b>SE4</b>	<b>24</b>	<b>T</b>	<b>E</b>	<b>W</b>	<b>X</b>	<b>X</b>	<b>P</b>	<b>01</b>
CONSOLE TYPE: Discover SE4 (SE4)	CONSOLE SIZE: 24 16	BASE TYPE: Tread (T) Non Tread (N)	LANGUAGE (Warning Label) English (E) All (A)	WIFI ENABLED: Wifi Enabled (W)	NFC or RFD: NFC (X) RFD (R)	PLACEHOLDER	TUNER TYPE: PROIDIOM/GAM (P) DVBT2/DVBC/DVBSPAL/SECAM (D) ISDBT/HTSC (S) STB SYNC (I) ATSC/QAM/NTSC (A) (on SE3/SE3HD/ST only) PROIDIOM OVER ETHERNET (E) (on SE4 only)	REVISION

**PowerMill Climber** Finished Good Example: **95PS-ALLXF-XX06**

<b>95</b>	<b>PS</b>	<b>ALL</b>	<b>X</b>	<b>F</b>	<b>XX</b>	<b>06</b>
PRODUCT LINE	BASE TYPE: Powermill (PS)	VOLTAGE: All	PLACEHOLDER	VERSION: Falco (F)	PLACEHOLDER	REVISION

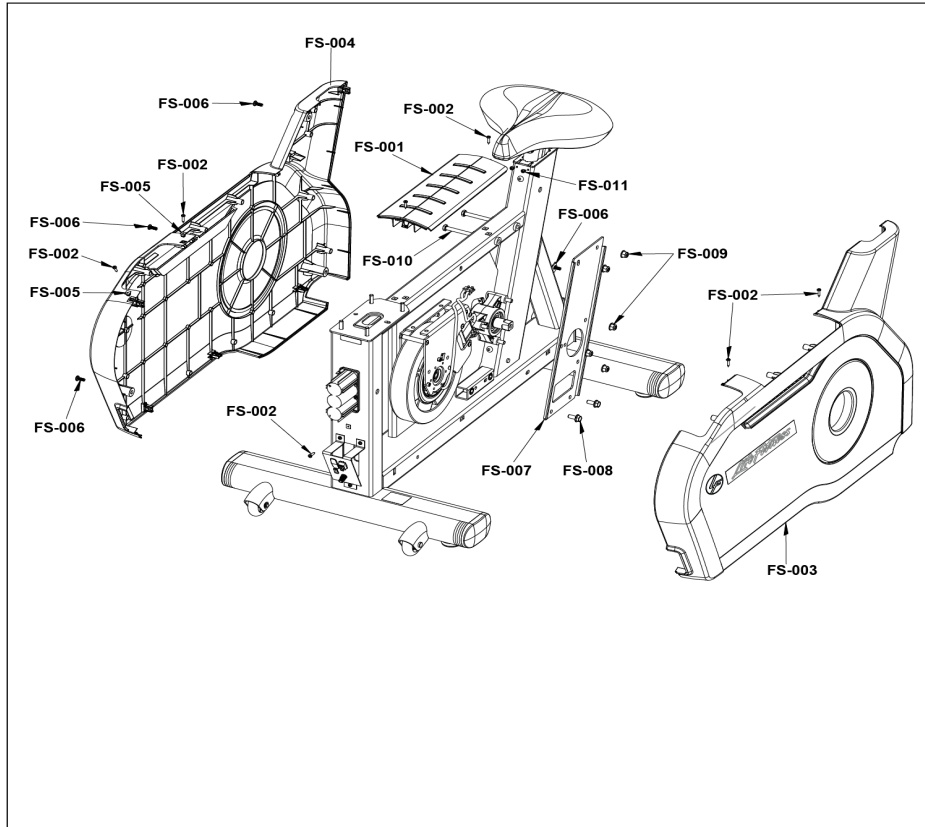
Ref #	Part Number	Qty	Description
-	LEGEND_DESCRIPTION	1	LEGEND DESCRIPTION

# Drivetrain



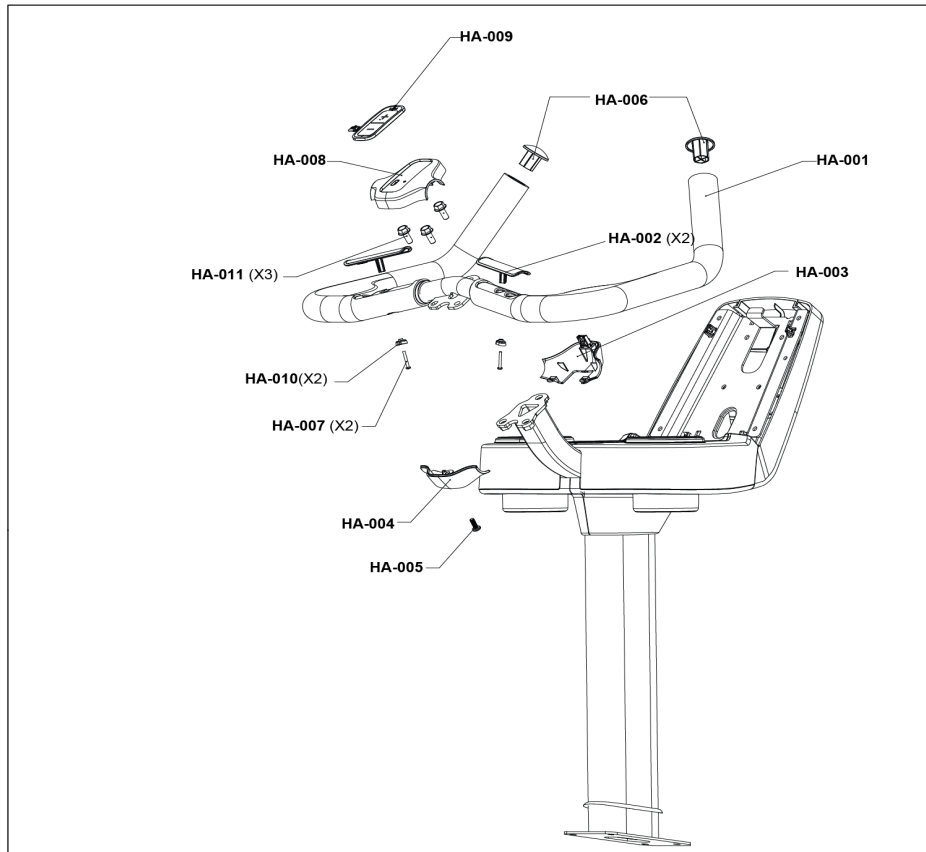
Ref #	Part Number	Qty	Description
DT-002	AK66-00151-0000	1	HUB ASSY: CRANKSHAFT, UNIPLATE
DT-003	1004280-0001	1	PULLEY: POLYV,J SECTION, 276MM PD
DT-004	1004288-0001	1	BELT: POLY V 460J8
DT-005	1017347-0001	1	ASSEMBLY: TENSIONER, IDLER
DT-006	0017-00101-2151	6	SCREW: M5 X 0.8 6G6G X 12, FLANGE, HEAD, CS, G5, CD
DT-007	1012903-0001	1	SHEET METAL: HUB SUPPORT
DT-008	0017-00104-0469	3	WASHER: M8.4 X 16.0 X 1.6, DIN, FLAT, ST, ZB
DT-010	0017-00101-2150	1	SCREW: M8 X 1.25 6G6H X 20, UHS, HXW, CS, ST, ZB
DT-011	1003388-0001	5	NUT: M8 X 1.25-6H, DIN, UNF, HEX, LOCKNUT
DT-012	1014174-0001	1	GENERATOR: BRAKE W/20MM EXT.
DT-013	0017-00100-0242	1	RING: M19.84, RETAINING, ST, 5101-98
DT-016	0017-00101-1944	1	SCREW: M8 X 1.25
DT-017	0017-00009-1191	1	INSERT: M8 X 6.6, THREADED, HEX
DT-018	1013510-0001	3	SCREW: M8 X 1.25 - 6g X 65, HEX, ZN, CLASS 10.9
DT-019	1015424-0001	1	KIT: CLUTCH & SHEAVE, 20MM

## Frame Shrouds (Left, Right, and Top Cover)



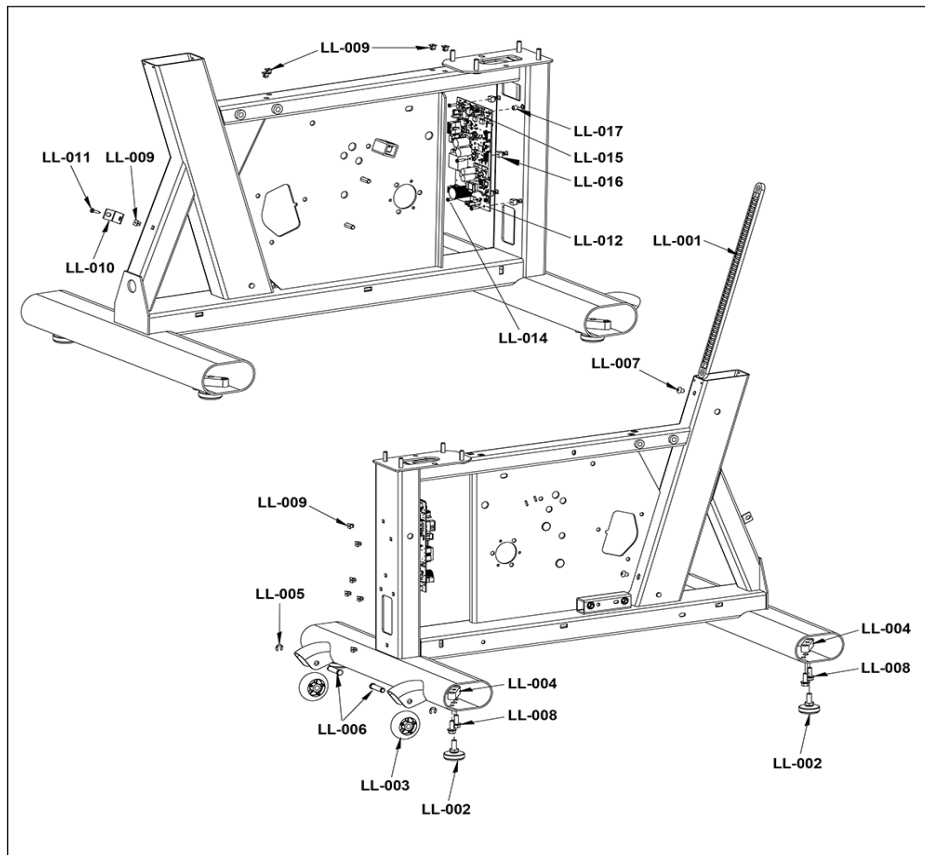
Ref #	Part Number	Qty	Description
FS-001	1001595-0700	1	SHROUD: TOP COVER, BLACK
FS-002	0017-00101-1796	7	SCREW: M4.2 X 0.7 6G6G X 19, DIN, PHL, PAN, AB, ST, ZB
FS-003	1023612-0001	1	ASSEMBLY: SHROUD W/BUG & DECAL, MAIN, LEFT, CHARCOAL GREY
FS-004	1023613-0001	1	ASSEMBLY: SHROUD W/BUG & DECAL, MAIN, RIGHT, CHARCOAL GREY
FS-005	0017-00042-1147	2	GROMMET: SCREW, 8 OR 10
FS-006	0017-00101-2138	4	SCREW: M6 X 1.0 X 16, DIN, PHL, PAN, MS, ST, ZB
FS-007	1012903-0001	1	SHEET METAL: HUB SUPPORT
FS-008	0017-00101-2150	2	SCREW: M8 X 1.25 6G6H X 20, UHS, HXW, CS, ST, ZB
FS-009	1003388-0001	5	NUT: M8 X 1.25-6H, DIN, UNF, HEX, LOCKNUT
FS-010	0017-00101-1944	2	SCREW: M8 X 1.25
FS-011	0017-00101-1968	4	SCREW: M4 X 0.7 X 10, PHL, PAN, TT, ST, ZS

## Handlebars and Activity Zone



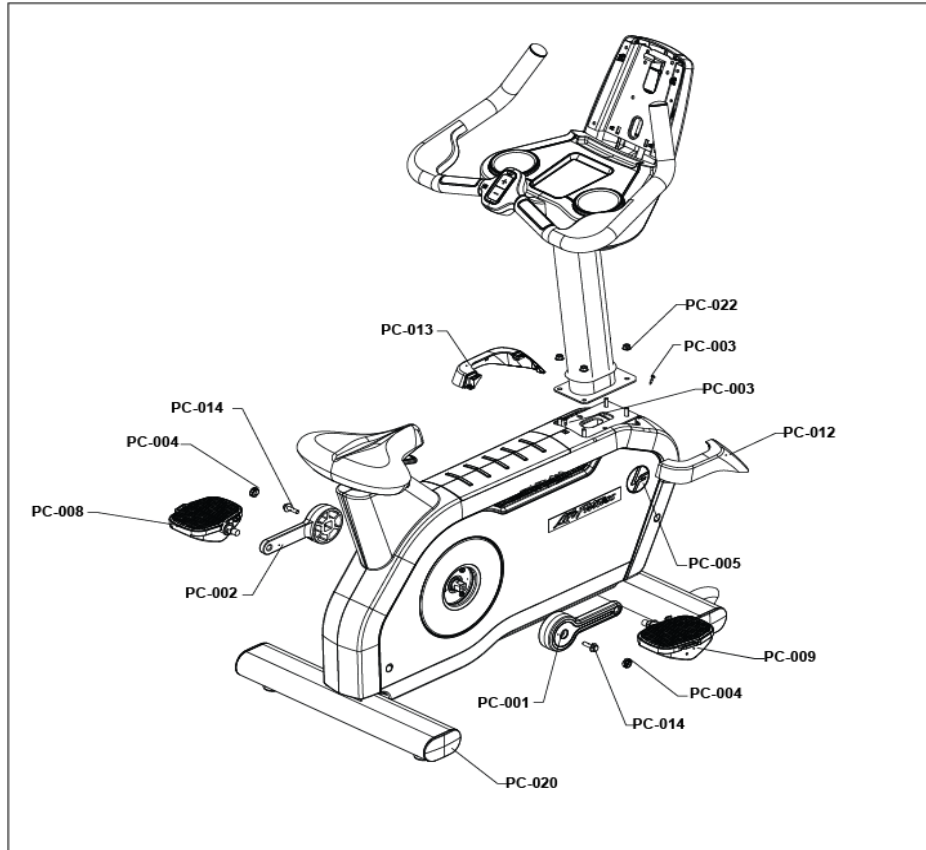
Ref #	Part Number	Qty	Description
HA-001	1001563-0700	1	HANDLEBAR: UPRIGHT, FEATURED, BLACK
HA-002	AK63-00014-2404	2	ELECTRODE: INSERT MOLDED; CHGR
HA-003	1001631-2400	1	SHROUD: ACTIVITY ZONE, BOTTOM FRONT, CHARCOAL GREY
HA-004	1001630-2400	1	SHROUD: ACTIVITY ZONE, BOTTOM REAR, CHARCOAL GREY
HA-005	0017-00101-2138	1	SCREW: M6 X 1.0 X 16, DIN, PHL, PAN, MS, ST, ZB
HA-006	OK63-01114-0000	2	HANDLEBAR: ENDCAP
HA-007	0017-00101-1720	2	SCREW: 6-19 X 16, PHL, PAN, HLS, ST, ZN
HA-008	1001629-2400	1	SHROUD: ACTIVITY ZONE, TOP FEATURED, CHARCOAL GREY
HA-009	1001633-0000	1	KEYPAD: UP, DOWN
HA-010	OK66-01141-0001	2	PLUG: INSULATOR, BLACK
HA-011	0017-00101-2150	3	SCREW: M8 X 1.25 6G6H X 20, UHS, HXW, CS, ST, ZB

# Leg Levelers, Front Roller, and PCB Resistance Control



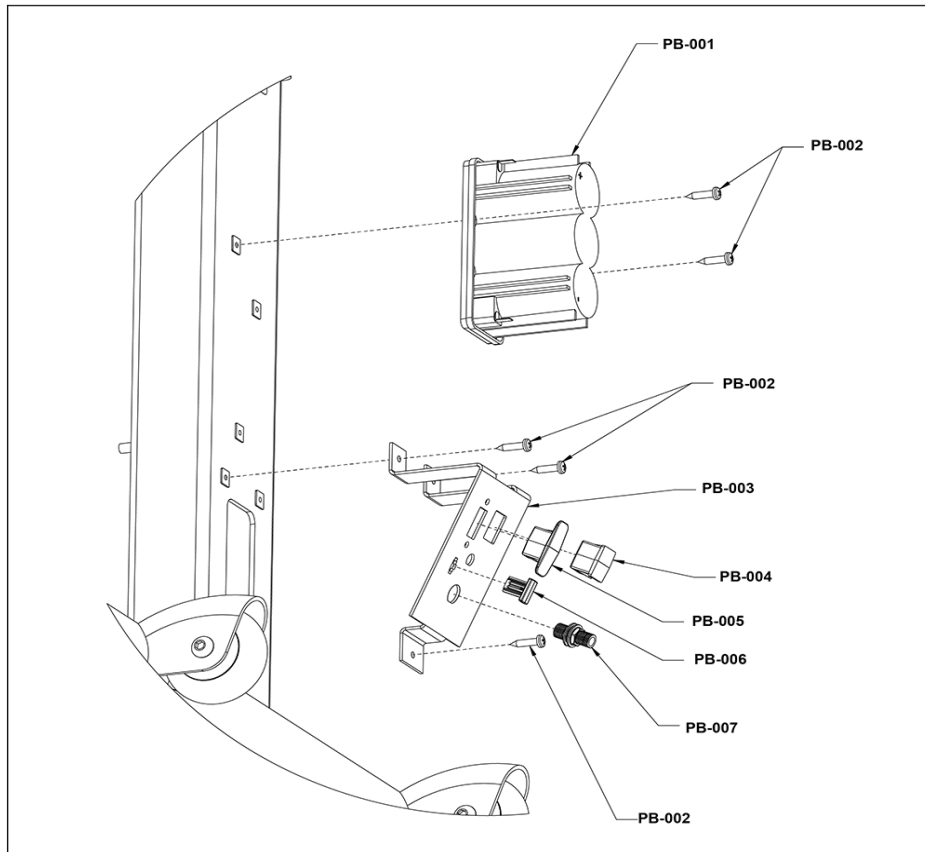
Ref #	Part Number	Qty	Description
LL-001	1022354-0001	1	RACK ASSY: UP-DOWN
LL-002	AK62-00124-0000	4	LEVELER: LEG, ASSEMBLY
LL-003	1010977-0001	2	WHEEL: NON-TREAD
LL-004	1001040-0001	4	BLOCK: LEVELER
LL-005	1011049-0001	2	RING: M10, E-RING, ST
LL-006	1011048-0001	1	CLEVIS PIN: 10mm O.D.
LL-007	0017-00103-0338	2	VMI NUT M8X1.25-6H6H DIN L THIN ST ZB B
LL-008	0017-00101-2150	8	SCREW: M8 X 1.25 6G6H X 20, UHS, HXW, CS, ST, ZB
LL-009	0017-00042-1147	11	GROMMET: SCREW, 8 OR 10
LL-010	1002971-0001	1	BRACKET: SHROUD CLIP
LL-011	0017-00101-1796	1	SCREW: M4.2 X 0.7 6G6G X 19, DIN, PHL, PAN, AB, ST, ZB
LL-012	1015538-0011	1	PCB ASSY: RCB MCFLY
LL-014	0017-00101-1838	4	SCREW: M3.5 X 1.3 6G6G X 19, PHL, PAN, AB, ST, ZN
LL-015	0017-00101-1874	1	SCREW: M4 X 0.70-6G6G X 16, ISO, PHL, PAN, MS, ST, ZN
LL-016	0017-00042-0821	4	GROMMET: SCREW, #6
LL-017	1013169-0001	1	SPACER: M5.3 X 8 X 7, ALUMINUM
LL-018	1020846-0001	4	INSERT: M10 X 1.5 X 19.75, INTERNAL, ST

## Pedals and Crank Arms



Ref #	Part Number	Qty	Description
PC-001	1004562-0001	1	CRANK ARM: RIGHT
PC-002	1004561-0001	1	CRANK ARM: LEFT
PC-003	0017-00101-1796	2	SCREW: M4.2 X 0.7 6G6G X 19, DIN, PHL, PAN, AB, ST, ZB
PC-004	0K66-01121-2400	2	CAP: CRANK, CHARCOAL GRAY
PC-005	1022502-0001	2	ASSEMBLY: LF BUG
PC-008	AK66-00048-0701	1	PEDAL ASSY: W/STRAP, STANDARD, LEFT, BLACK
PC-009	AK66-00047-0701	1	PEDAL ASSY: W/STRAP, STANDARD, RIGHT, BLACK
PC-012	1001593-2400	1	SHROUD ASSEMBLY: MONOCOLUMN, RIGHT, CHARCOAL GREY
PC-013	1001594-2400	1	SHROUD: MONOCOLUMN, LEFT, CHARCOAL GREY
PC-014	0017-00101-2077	2	SCREW: M8 X 1.0 6G6H X 30, UNS, HXW, CS, ST, ZS
PC-020	1022454-0001	4	ENDCAP: FLOV : INJ MOLDED
PC-022	1013499-0001	4	NUT: M8 X 1.25-6H, HEX, LOCK, ZINC, CLASS 10

**Plugs and Battery**



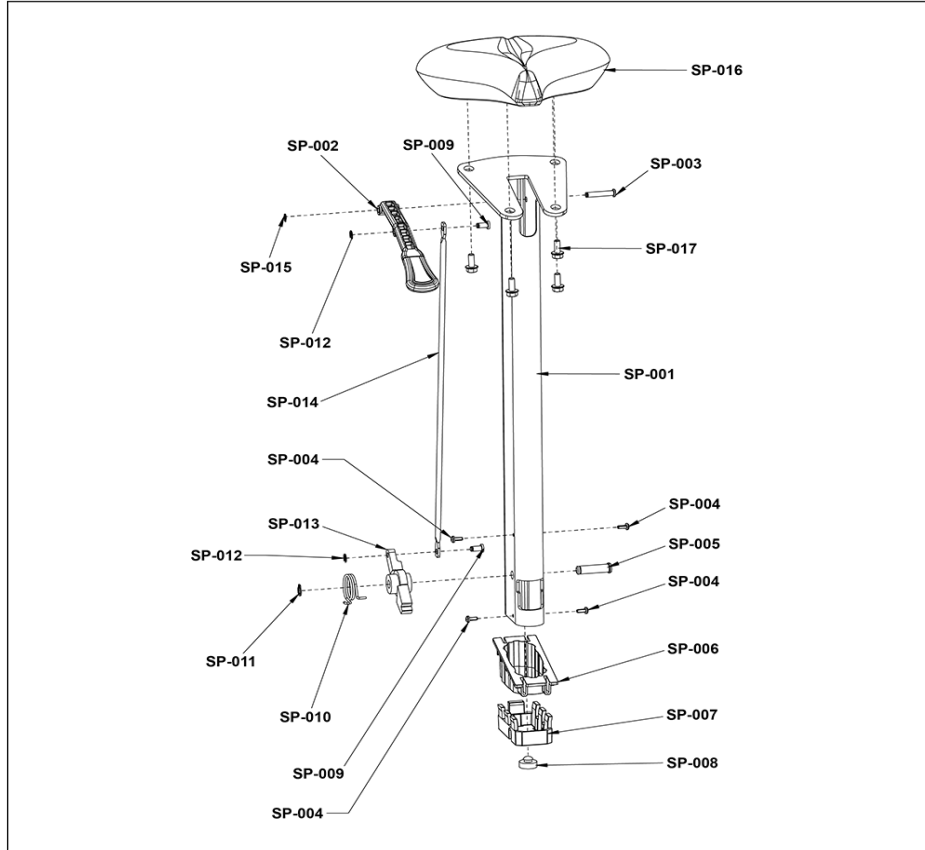
Ref #	Part Number	Qty	Description
PB-001	0017-00003-0685	1	BATTERY: 6 VOLT, 2.5AH C (0819-1006)
PB-002	0017-00101-1796	5	SCREW: M4.2 X 0.7 6G6G X 19, DIN, PHL, PAN, AB, ST, ZB
PB-003	1001537-0001	1	SHEET METAL: BRACKET, COM PORT
PB-004	1004601-0001	1	PLUG: RJ45 RECEPTACLE
PB-005	1005393-0700	1	PLUG: HDMI, BLACK
PB-006	1005470-0700	1	PLUG: IR PORT, BLACK
PB-007	0017-00021-2846	1	CONNECTOR: COAX, PANEL MOUNT

## Power Cords

LC-001		
LC-002		
LC-003		
LC-004		
LC-005		
LC-006		

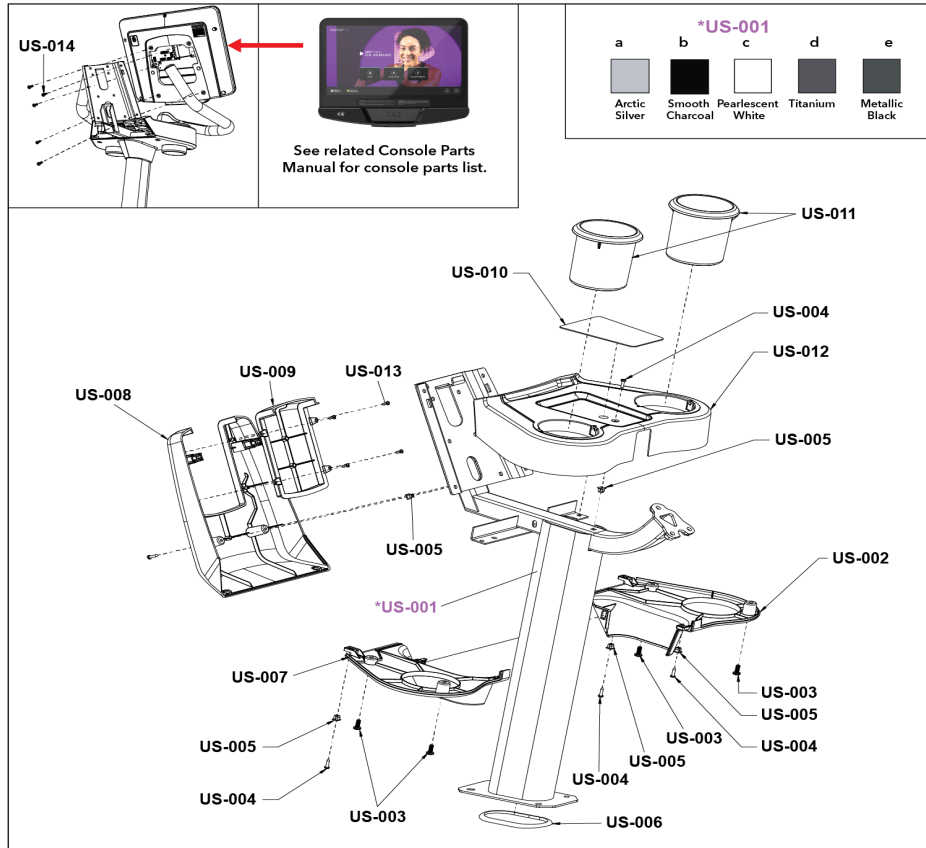
Ref #	Part Number	Qty	Description
LC-001	0017-00003-0691	1	LINE-CORD: CON 10A 250V B
LC-002	0017-00003-0704	1	LINE-CORD: DOM. 10A 125V B
LC-003	0017-00003-0889	1	LINE-CORD: 10A; U.K B
LC-004	0017-00003-0918	1	LINE-CORD: AUSTRALIA B
LC-005	0017-00003-1053	1	LINE-CORD: BRAZIL, IEC-C13
LC-006	0017-00003-1067	1	LINE-CORD: ARGENTINA, IRAM 2073, IEC-C13

## Seat and Seat Post



Ref #	Part Number	Qty	Description
SP-001	1012963-0001	1	ASSEMBLY: SEAT POST W/DECAL
SP-002	1001615-0500	1	HANDLE: SEAT ADJUSTMENT, UPRIGHT, RED
SP-003	1001557-0001	1	PIN: PIVOT, HANDLE
SP-004	0017-00101-1968	4	SCREW: M4 X 0.7 X 10, PHL, PAN, TT, ST, ZS
SP-005	1001558-0001	1	PIN: PIVOT, LATCH
SP-006	1001555-0001	1	BUSHING: SEAT POST, UPPER
SP-007	1001556-0001	1	BUSHING: SEAT POST, LOWER
SP-008	0K77-01066-0000	1	BUMPER: EPDM
SP-009	0K77-01028-0000	1	PIN: ROD, LOWER
SP-010	0K77-01032-0000	1	SPRING: UP/DOWN
SP-011	0017-00100-0253	1	RING: M10, RETAINING, EXT, ST
SP-012	0017-00100-0250	2	RING: M6, E-CLIP, ST
SP-013	0K77-01031-0000	1	LATCH: UP/DOWN
SP-014	0K77-01027-0000	1	ROD: UP/DOWN
SP-015	1001646-0001	1	RING: M6, RETAINING, EXT, ST
SP-016	1004863-0001	1	SEAT: UPRIGHT
SP-017	0017-00101-2150	4	SCREW: M8 X 1.25 6G6H X 20, UHS, HXW, CS, ST, ZB

**Upper Shrouds and Monocolumn**



Ref #	Part Number	Qty	Description
US-001e	1022453-7300	1	WELDMNT: MONOCOLUMN, UPRIGHT, METALLIC BLACK ROBUST
US-001c	1022453-7100	1	WELDMNT: MONOCOLUMN, UPRIGHT, PEARLESCENT WHITE ROBUST
US-001b	1022453-5300	1	WELDMNT: MONOCOLUMN, UPRIGHT, SMOOTH CHARCOAL GRAY ROBUST
US-001d	1022453-7200	1	WELDMNT: MONOCOLUMN, UPRIGHT, TITANIUM ROBUST
US-002	1001606-2400	1	SHROUD: BOTTOM, RIGHT, CHARCOAL GREY
US-003	0017-00101-2138	4	SCREW: M6 X 1.0 X 16, DIN, PHL, PAN, MS, ST, ZB
US-004	0017-00101-1796	5	SCREW: M4.2 X 0.7 6G6G X 19, DIN, PHL, PAN, AB, ST, ZB
US-005	0017-00042-1147	4	GROMMET: SCREW, 8 OR 10
US-006	1003232-0700	1	GASKET: MONOCOLUMN, BLACK
US-007	1001607-2400	1	SHROUD ASSEMBLY: BOTTOM, LEFT, CHARCOAL GREY
US-008	1001608-2400	1	SHROUD: REAR, CHARCOAL GREY
US-009	1012962-0001	1	ASSEMBLY: REAR SHROUD W/DECAL, FILLER, CHGR
US-010	1001610-0700	1	PAD: UPRIGHT TRAY, BLACK
US-011	1022975-0001	2	CUP HOLDER ASSY: NON TREAD, W/METAL RING
US-012	1001605-2400	1	SHROUD ASSEMBLY: TOP, CHARCOAL GREY
US-013	0017-00101-1650	4	SCREW: 6-19 X 6, PHL, PAN, PLT, ST, ZB, VMI

<b>Ref #</b>	<b>Part Number</b>	<b>Qty</b>	<b>Description</b>
US-014	0017-00101-1940	5	SCREW: M5 X 0.8 X 14, PHL, PAN, MS, ST, ZN



