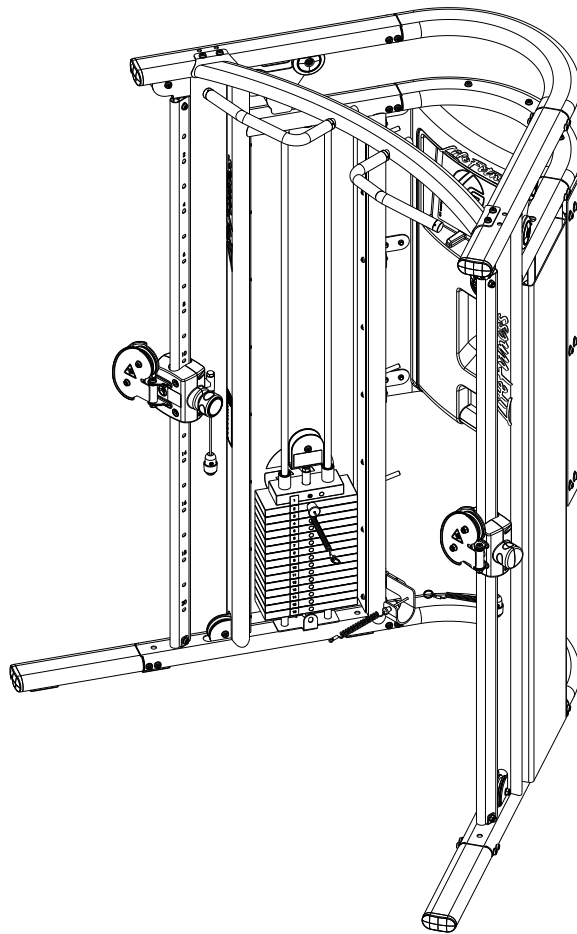


G7-002 Home Gym Cable Motion Dual Adjustable Pulley

CUSTOMER SUPPORT SERVICES
Parts List

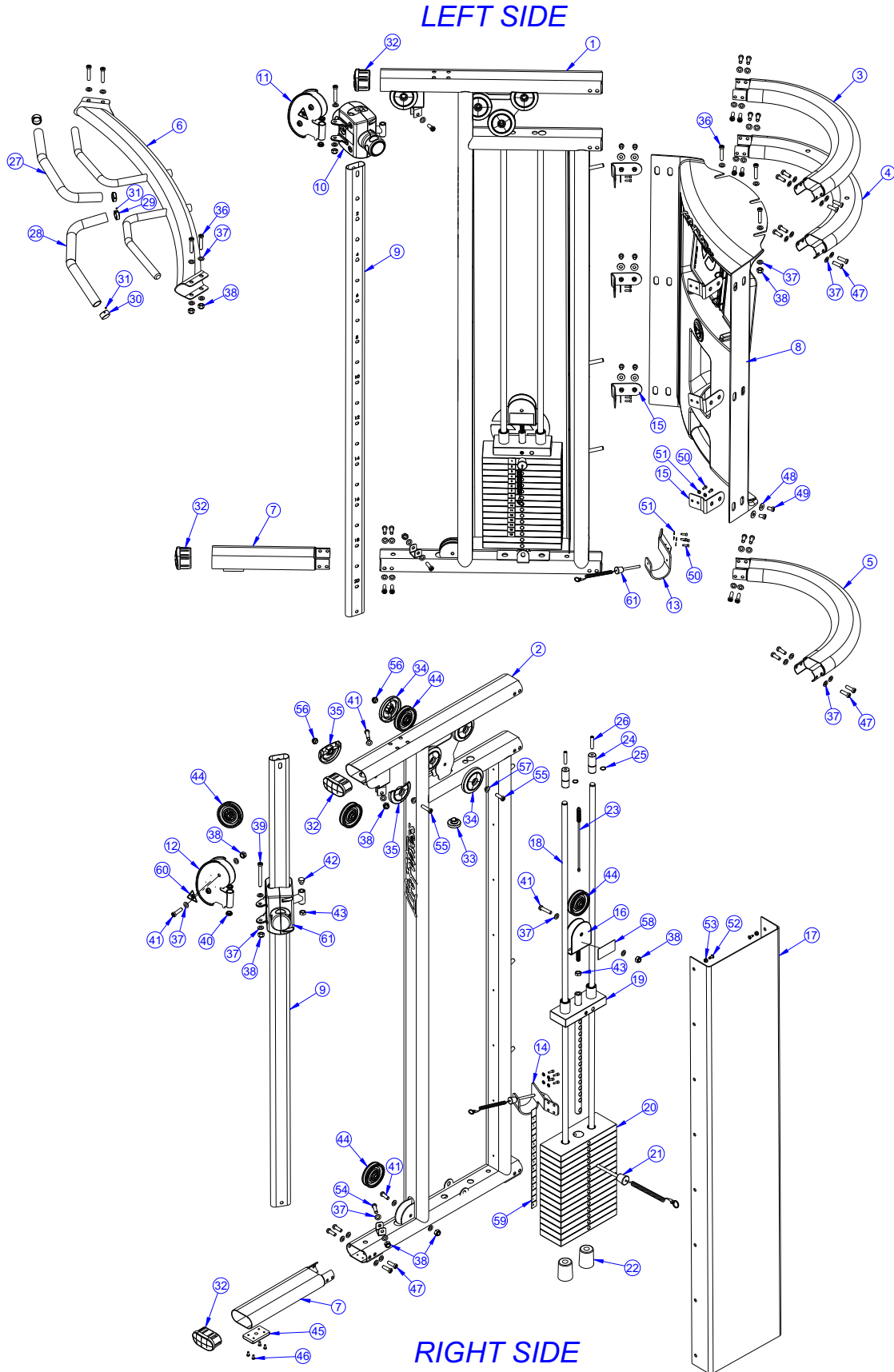


LifeFitness
WHAT WE LIVE FOR

G7-002 G7 HOME GYM CONTENTS

COMPONENT ASSEMBLY	PAGE 3
COMPONENT ASSEMBLY LEGEND	4
LEFT TOWER ASSEMBLY	5
LEFT CARRIAGE ASSEMBLY	6
KIOSK ASSEMBLY	7
RIGHT TOWER ASSEMBLY	8
RIGHT CARRIAGE ASSEMBLY	9
GUIDE ROD ASSEMBLY	10
QUICK CONNECT ASSEMBLY	11
CABLE ROUTING	12
SUPPLIED ACCESSORIES	13
LONG BAR ASSEMBLY	14
HARDWARE BAGS	15
IMAGE	16

G7-002 G7 HOME GYM COMPONENT ASSEMBLY

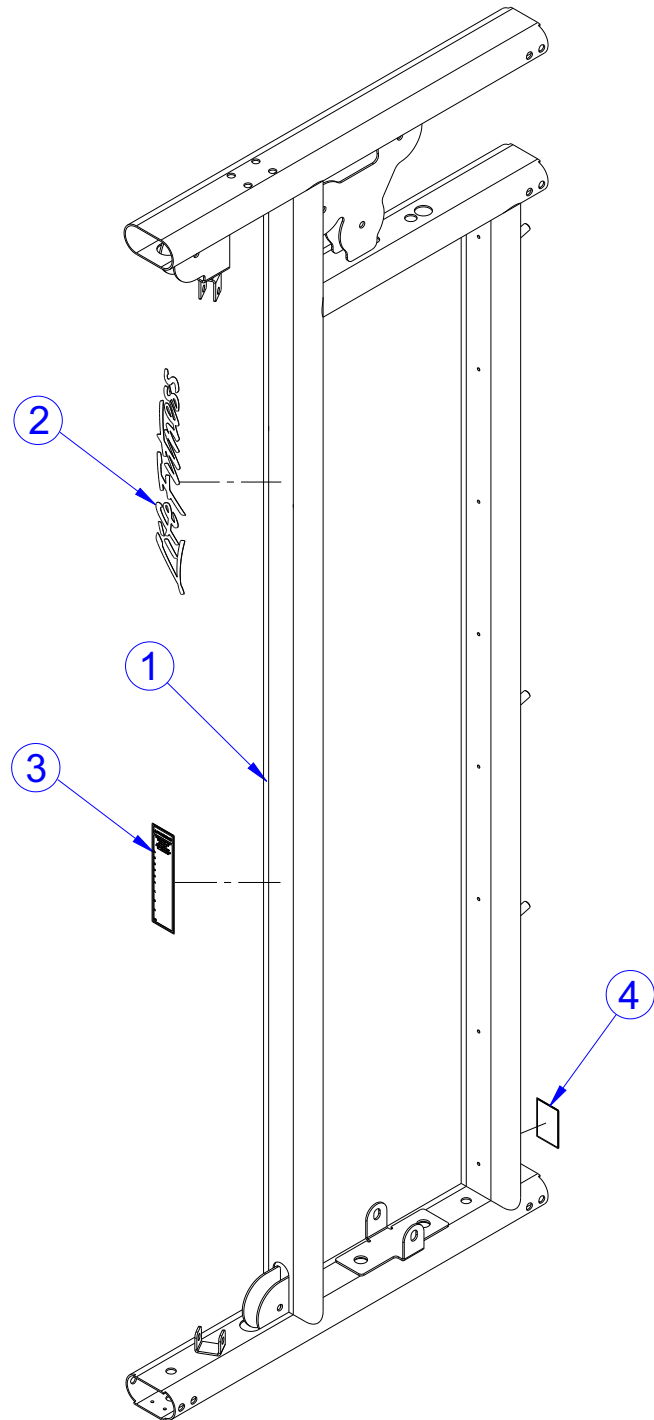


G7-002 G7 HOME GYM COMPONENT ASSEMBLY LEGEND

ITEM NO.	QTY.	PART NO.	DESCRIPTION
1	1	8172901	WLDMT, TOWER, LEFT
2	1	8172001	WLDMT, TOWER, RIGHT
3	1	8178003	BTUBE, REAR TOP
4	1	8178002	BTUBE, REAR MIDDLE
5	1	8178004	BTUBE, REAR BOTTOM
6	1	8176701	WLDMNT, CHIN-UP
7	2	8312601	FOOT, EXTENSION, FLOV
8	1	8275801	ASSY, KIOSK
9	2	8162201	TUBE, NUMBERED SLIDE
10	1	8613201	ASSY, ROLLER CARRIAGE, LEFT
11	1	8151301	WLDMT, SWIVEL PULLEY LEFT
12	1	8316401	WLDMT, SWIVEL PULLEY RIGHT
13	1	8256901	WLDMT, BRKT, U, LEFT
14	1	8257401	WLDMT, BRKT, U, RIGHT
15	6	8244301	BRKT, KIOSK
16	2	8315601	WLDMT, HEAD PLATE PULLEY
17	2	8167301	SHIELD, REAR SHROUD
18	4	8264701	ASSY, GUIDE ROD
19	2	8262501	ASSY, TOP PLATE 15, CASTEEL, SPCL
20	30	7935301	WEIGHT PLATE, 10LB, CASTEEL
21	2	7936701	ASSY, SELECTOR PIN, 80/20
22	4	8264301	CUSHION, WEIGHT STACK, 65MM
23	2	8265601	CABLE, BE, BE
24	4	7634401	RETAINER, CM/MJ, GUIDE ROD
25	4	3232421	RING:BRE .940 5100-100 ST PP B
26	4	3240502	M10 X 1.5 X 50 HXS NO CUP ST BO
27	1	8211301	GRIP, CHIN UP, LEFT
28	1	8211401	GRIP, CHIN UP, RIGHT
29	2	7662801	RING, GRIP 1.25 OD
30	2	7662901	CAP; GRIP 1.25 OD
31	8	3247701	M4 X 0.7 X 3 HZS NO CUP ST BO

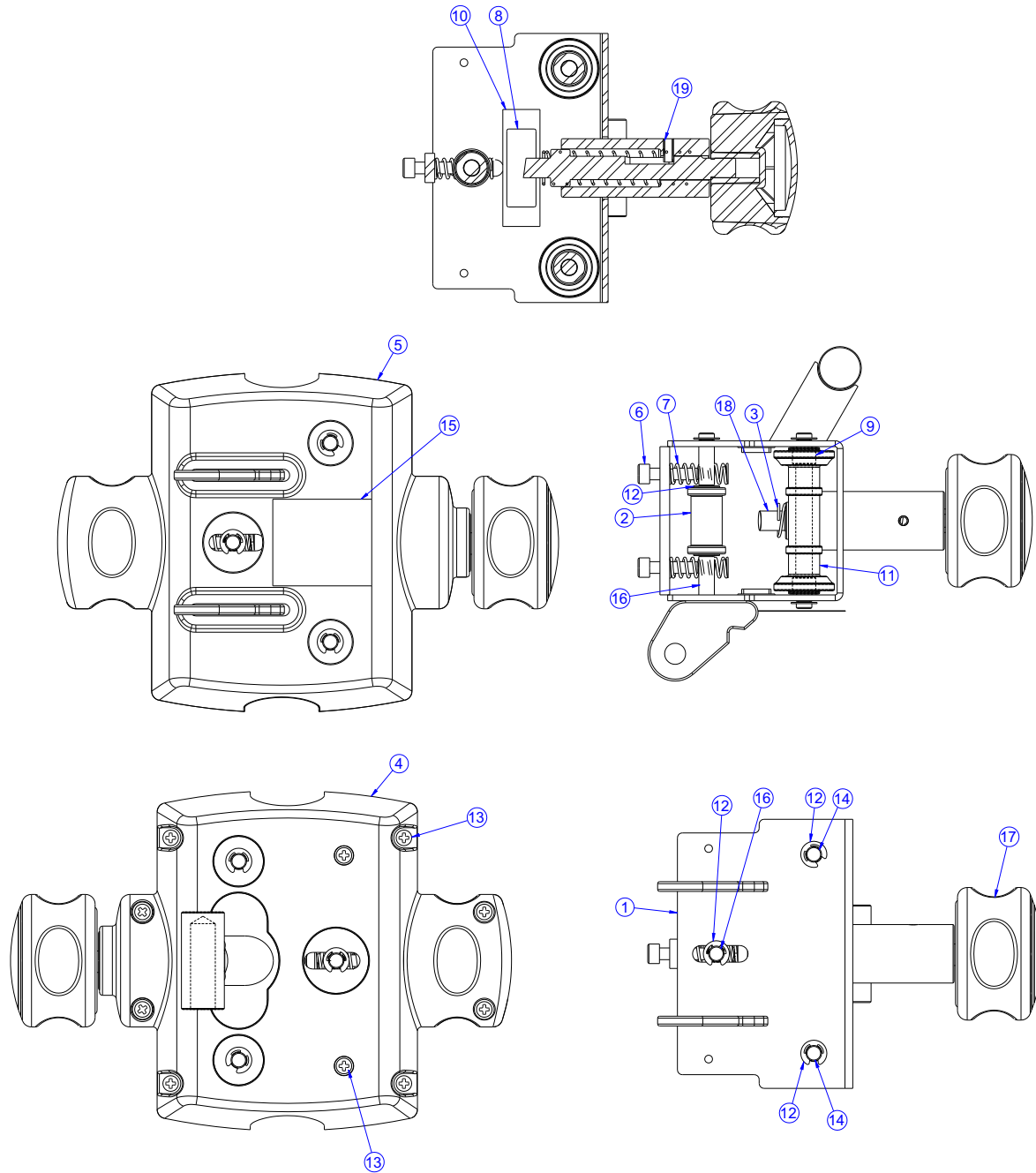
ITEM NO.	QTY.	PART NO.	DESCRIPTION
32	4	8167401	END CAP, 50 X 100 X 2.5
33	2	7642301	BUMPER, CM/MJ, PLUG
34	4	8229001	COVER, PULLEY, FULL
35	12	8228901	COVER, PULLEY, PARTIAL
36	7	3256211	SCREW, M10 X 1.5 70MM ZN
37	94	3264201	WASHER, M10
38	25	3242002	NUT, M10 X 1.5 HEX NYLOCK
39	2	3256215	SCREW, M10 X 1.5 90MM ZN
40	4	3261501	BEARING, FLANGED BALL, 10IDX19OD
41	12	3256206	SCREW, M10 X 1.5 45MM ZN
42	2	8317101	PLUG, HEX, .500-13
43	4	3102702	NUT, HEX 1/2-13
44	16	3258301	PULLEY, 88.9 OD X 10 X 25.4
45	7	7810801	PAD, RUBBER FOOT, 10-0101-006, BNR
46	28	3239102	SCREW, M5 X .8 X 12 PHL PAN TT ST BZ
47	44	3256201	SCREW, M10 X 1.5 X 1.5 20MM ZN
48	12	3265001	WASHER, 10.5MM X 25MM
49	12	3264901	SCREW, M10 X 1.5, SH BO
50	22	3242201	M5-.8 X 16MM HXS SOC CS ST PH
51	22	3264101	WASHER, M6
52	32	3262501	SCREW, SHOULDER, M5 X 6 X 14
53	32	3262701	GROMMET, 17/64 X 3/8
54	2	3256208	SCREW, M10 X 1.5 55MM ZN
55	8	3256207	SCREW, M10 X 1.5 50MM ZN
56	8	3264601	NUT, M10 X 1.5 SCK HD, SPL
57	8	3264501	RETAINER, PULLEY
58	2	8326901	LABEL, WARNING, LOCKOUT
59	2	8327001	LABEL, WEIGHT STACK STRIP
60	4	8039501	LABEL, WARNING, TRIANGLE, BNR
61	2	8257501	PIN, DETENT, 5MM LOCK OUT
61	1	8613101	ASSY, ROLLER CARRIAGE, RIGHT

G7-002 G7 HOME GYM LEFT TOWER ASSEMBLY - 8172901



ITEM NO.	QTY.	PART NO.	DESCRIPTION
1	1	8172901	WLDMT, TOWER, LEFT
2	1	8317001	LABEL, LIFE FIT 63.5MM X 381MM
3	1	8220001	LABEL, ASTM WARNING SELECT-ENG
4	1	8106801	LABEL, SERIAL NUMBER, LARGE, 10-0123-001, BNR

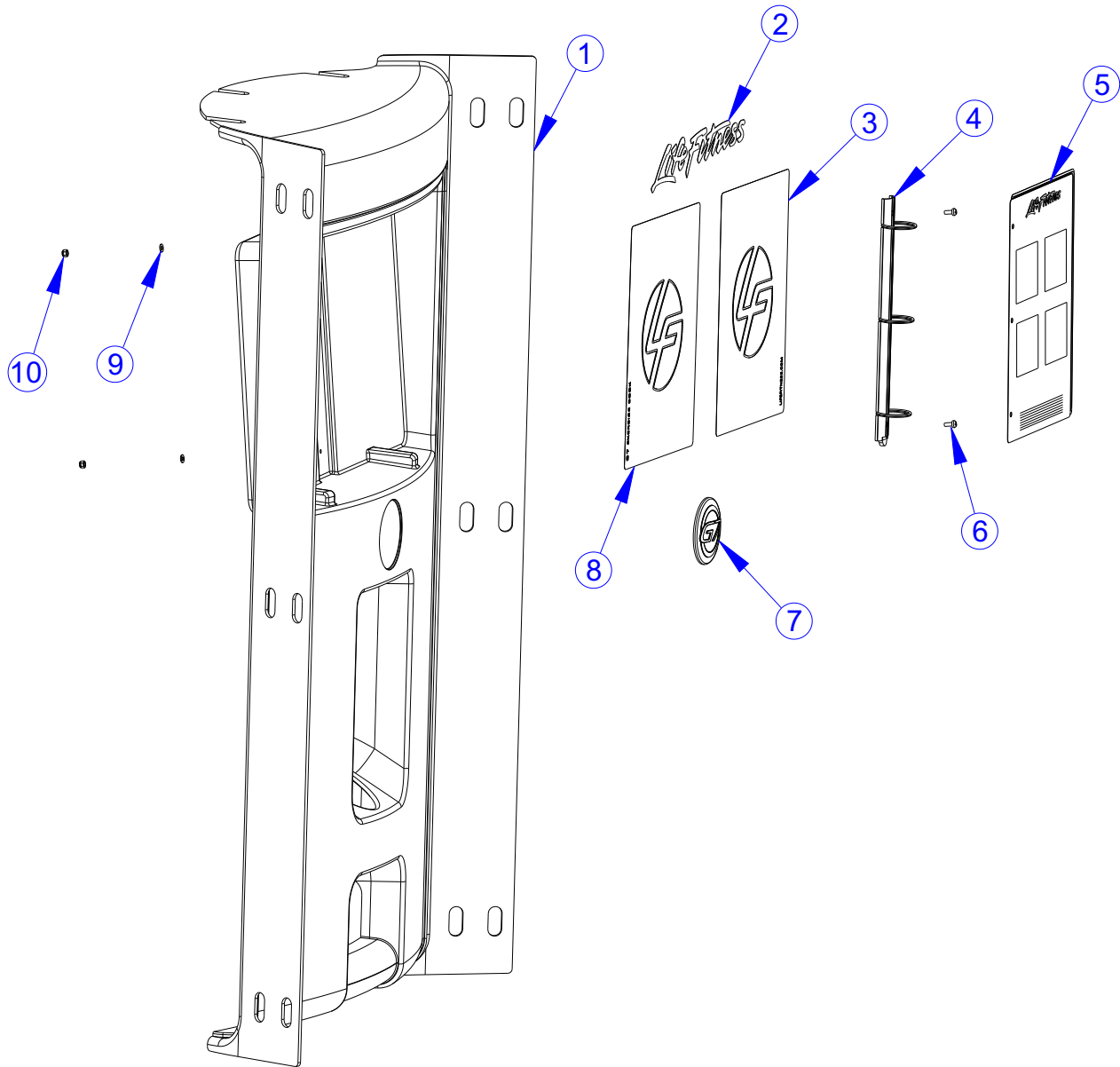
G7-002 G7 HOME GYM LEFT ROLLER CARRIAGE ASSEMBLY - 8613201



ITEM NO.	QTY.	PART NO.	DESCRIPTION
1	1	8616001	WLDMT, CARRIAGE, LEFT
2	1	8182501	ROLLER, FLOV, 30 X 70
3	1	7351501	SPRING; PULL PIN LARGE
4	1	8222201	COVER, BACK, ROLLER CARRIAGE
5	1	8222101	COVER, FRONT, ROLLER CARRIAGE

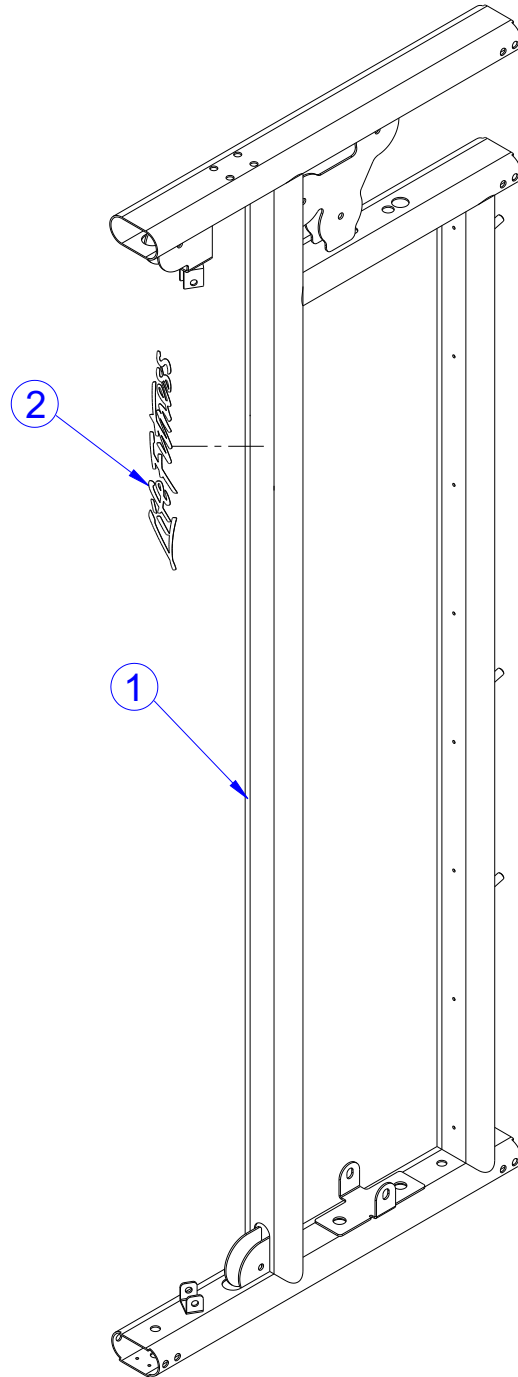
6	2	3264302	SCREW, CAP, M6 X 1.0, 25MM
7	2	3263501	SPRING, COMPRESSION
8	2	8293701	INSERT, CARRIAGE BEARING
9	6	3263801	BRG, NEEDLE
10	2	3264801	TAPE, VHB
11	2	8294101	ROLLER, FLOV 30 X 70, LONG
12	8	3221704	E-RING, EXTERNAL, .250
13	10	3236501	M4 X 0.7 PHIL PAN MS ST ZN
14	2	8294001	SHAFT, ROLLER, 8MM
15	1	8344401	LABEL, WARNING, PULL PIN
16	1	8294002	SHAFT, ROLLER, 10MM
17	1	8396301	ASSY, OVERMOLD GRIP
18	1	8615601	PIN, PULL
19	1	8615701	ROLL PIN, 5MM X 12MM

G7-002 G7 HOME GYM KIOSK ASSEMBLY



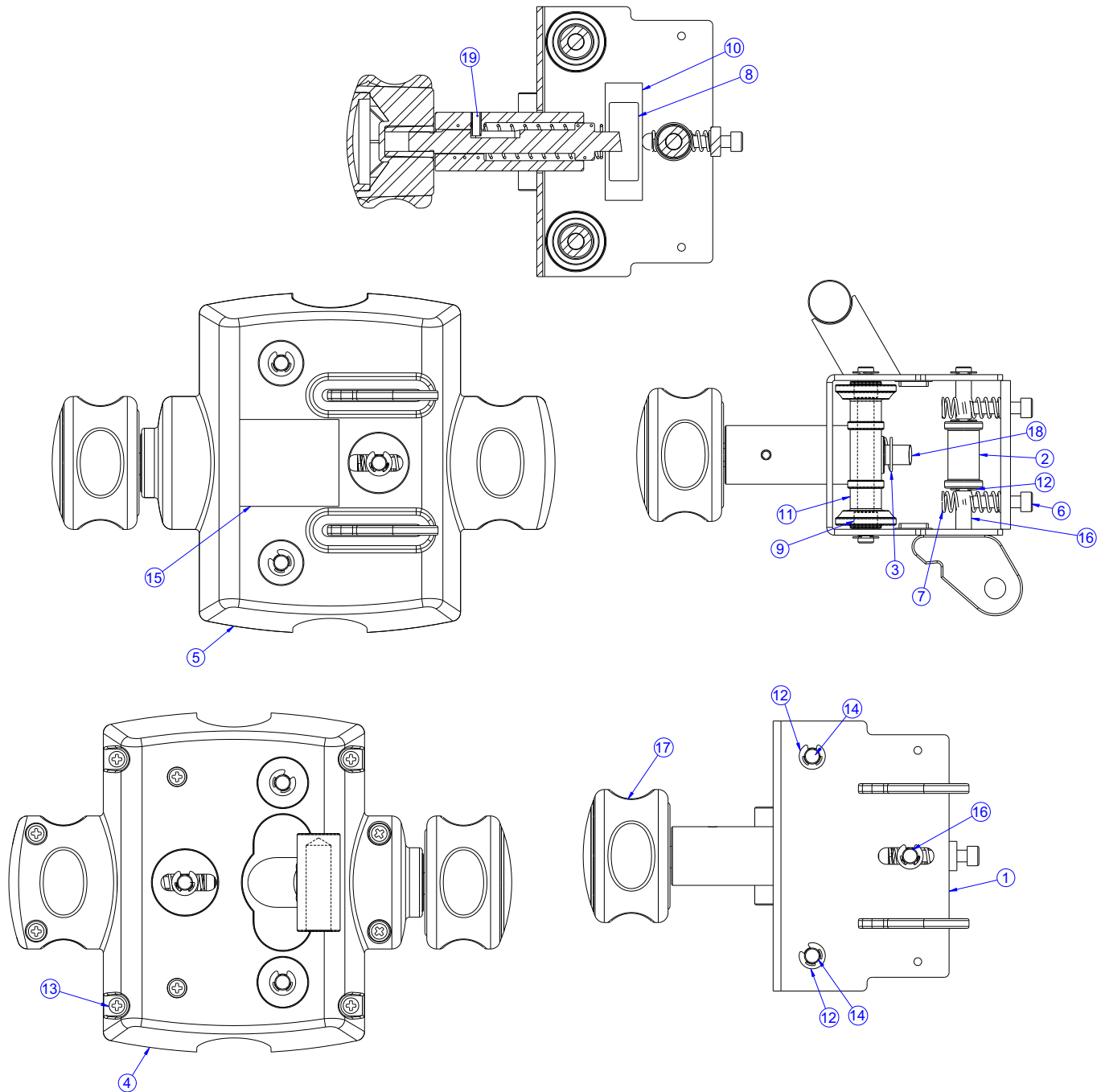
ITEM NO.	QTY.	PART NO.	DESCRIPTION
1	1	8235401	KIOSK, G7
2	1	8327101	LABEL, LIFE FIT 63.5MM X 381MM
3	1	8344801	LABEL, RIGHT BACK, KIOSK
4	1	8275701	BINDER, 3 RING, KIOSK
5	1	8265801	PAPER, BINDER, G7 (WORKOUT BOOK)
6	2	3236502	M4 X 0.7 PHL PAN MS ST ZN
7	1	8289301	ASSY, BUG, G7
8	1	8344701	LABEL, LEFT BACK, KIOSK
9	2	3265301	WASHER, M4
10	2	3265201	NUT, M4 X 0.7 HEX NYLOCK

G7-002 G7 HOME GYM RIGHT TOWER ASSEMBLY - 8172001



ITEM NO.	QTY.	PART NO.	DESCRIPTION
1	1	8172001	WLDMT, TOWER, RIGHT
2	1	8317001	LABEL, LIFE FIT 63.5MM X 381MM

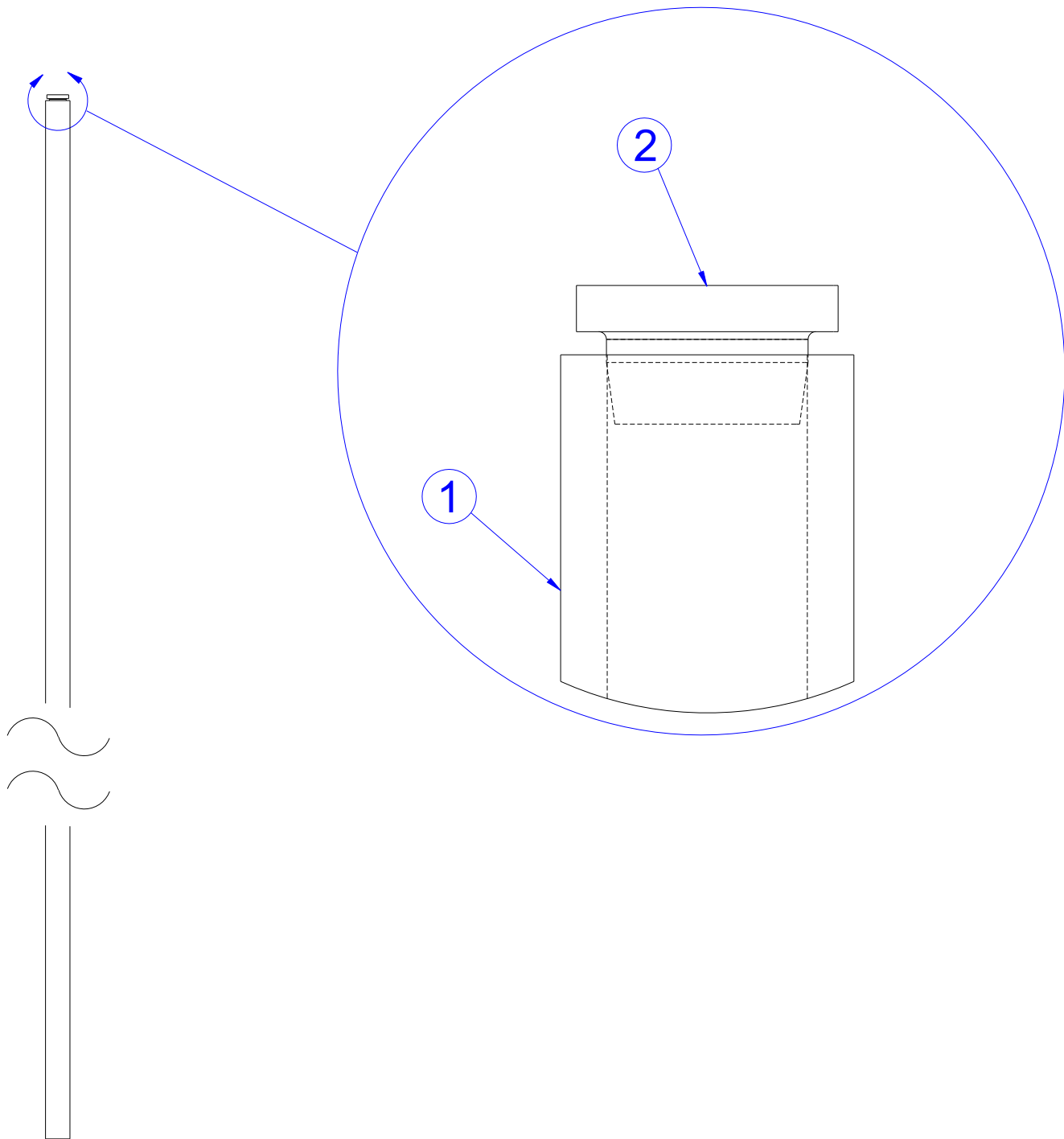
G7-002 G7 HOME GYM RIGHT CARRIAGE ASSEMBLY - 8613101



ITEM NO.	QTY.	PART NO.	DESCRIPTION
1	1	8615901	WLDMT, CARRIAGE, RIGHT
2	1	8182501	ROLLER, FLOV, 30 X 70
3	1	7351501	SPRING; PULL PIN LARGE
4	1	8222201	COVER, BACK, ROLLER CARRIAGE
5	1	8222101	COVER, FRONT, ROLLER CARRIAGE
6	2	3264302	SCREW, CAP, M6 X 1.0, 25MM
7	2	3263501	SPRING, COMPRESSION
8	2	8293701	INSERT, CARRIAGE BEARING
9	6	3263801	BRG, NEEDLE

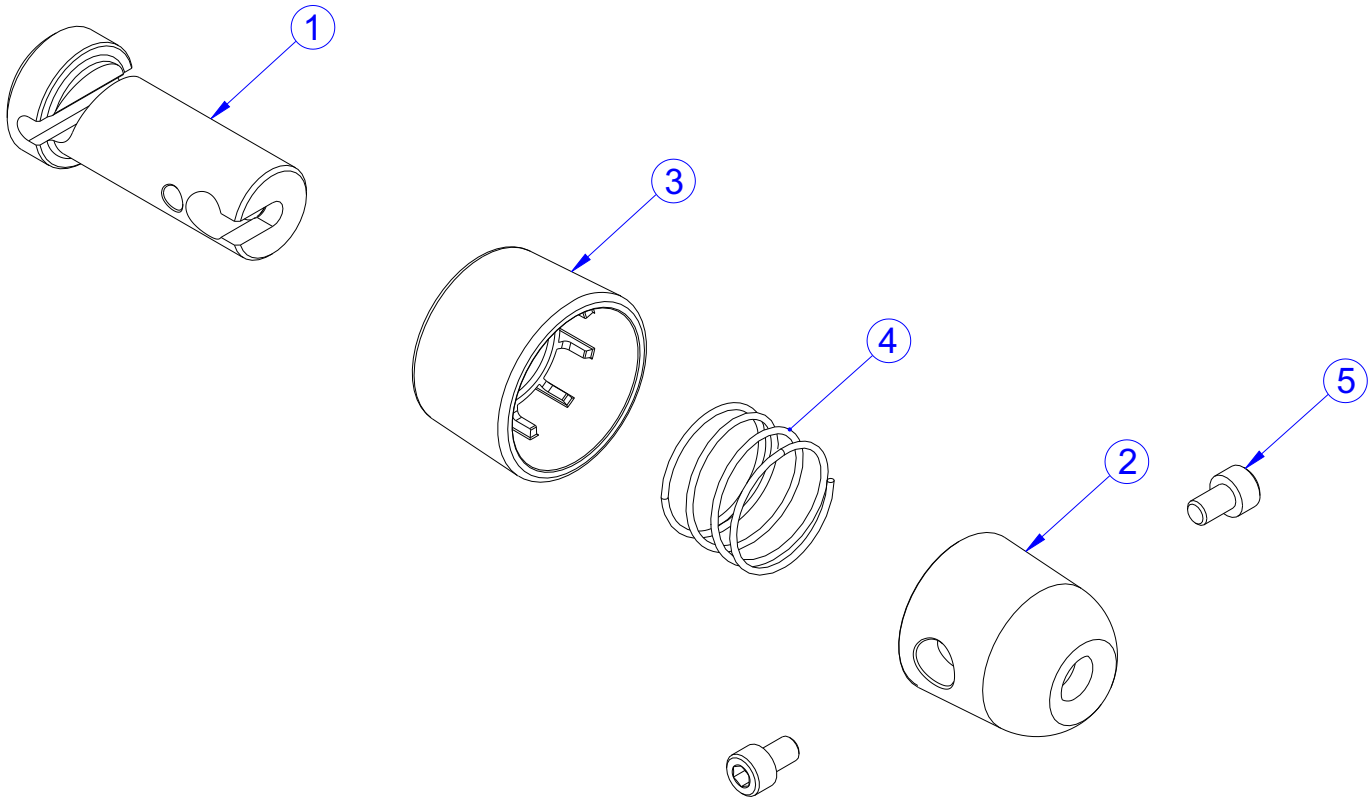
10	2	3264801	TAPE, VHB
11	2	8294101	ROLLER, FLOV 30 X 70, LONG
12	8	3221704	E-RING, EXTERNAL, .250
13	10	3236501	M4 X 0.7 PHIL PAN MS ST ZN
14	2	8294001	SHAFT, ROLLER, 8MM
15	1	8344401	LABEL, WARNING, PULL PIN
16	1	8294002	SHAFT, ROLLER, 10MM
17	1	8396301	ASSY, OVERMOLD GRIP
18	1	8615601	PIN, PULL
19	1	8615701	ROLL PIN, 5MM X 12MM

G7-002 G7 HOME GYM GUIDE ROD ASSEMBLY - 8264701



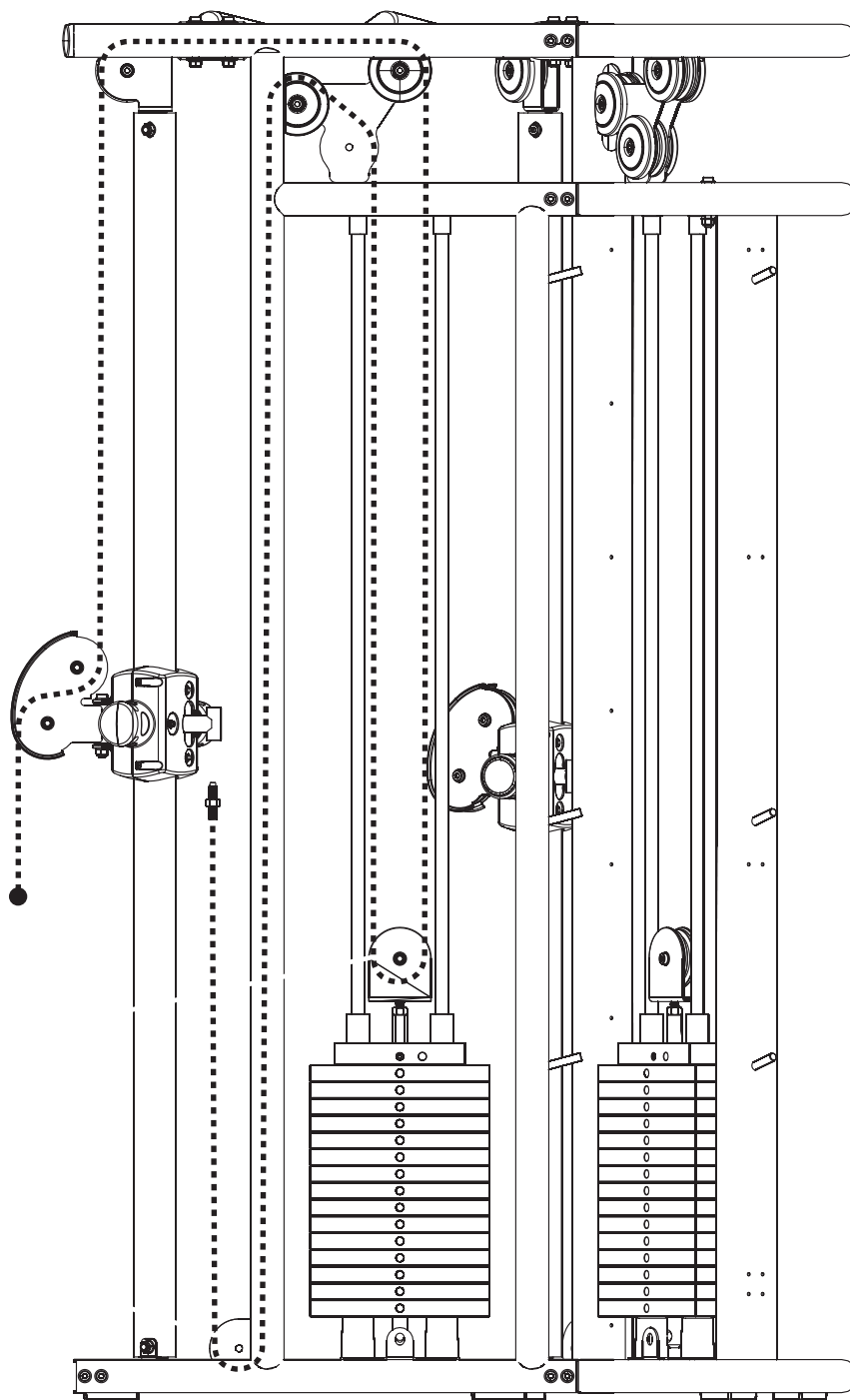
ITEM NO.	QTY.	PART NO.	DESCRIPTION
1	1	8166901	GUIDE ROD, 19MM X 1762MM
2	1	8264601	PLUG, GUIDE ROD

G7-002 G7 HOME GYM QUICK CONNECT ASSEMBLY - 7872601



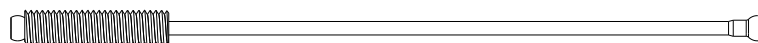
ITEM NO.	QTY.	PART NO.	DESCRIPTION
1	1	7726201	COUPLER, QUICK CONNECT
2	1	7726401	HSNG, QUICK CONNECT
3	1	7726301	SLEEVE, QUICK CONNECT
4	1	3249901	SPRING, COMPRESSION
5	2	3250002	M5 X 0.8 HXS SOC CS ST BZ X 8

G7-002 G7 HOME GYM CABLE ROUTING



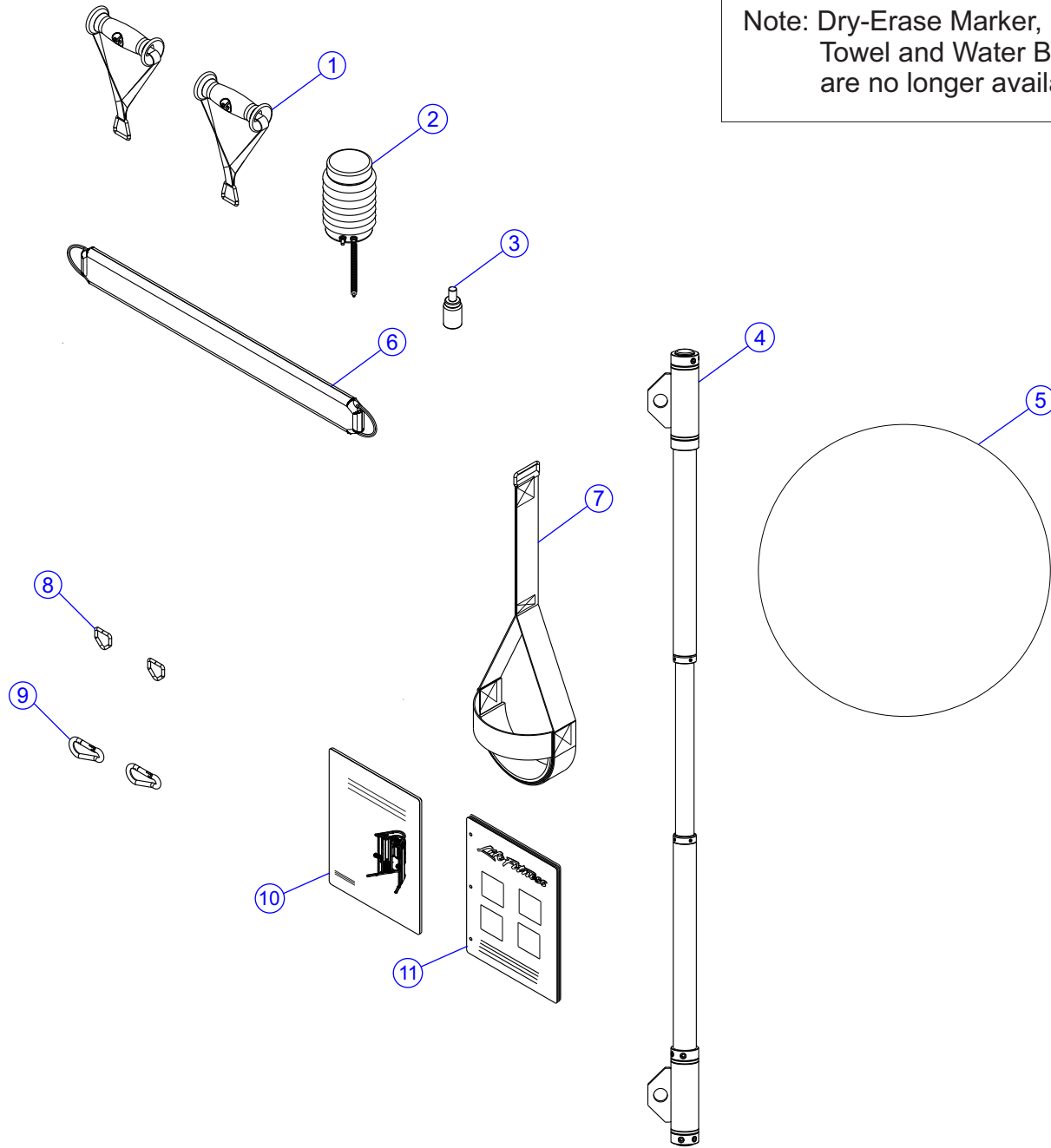
8265601 CABLE: 1 PER SIDE

7440mm



G7-002 G7 HOME GYM SUPPLIED ACCESSORIES

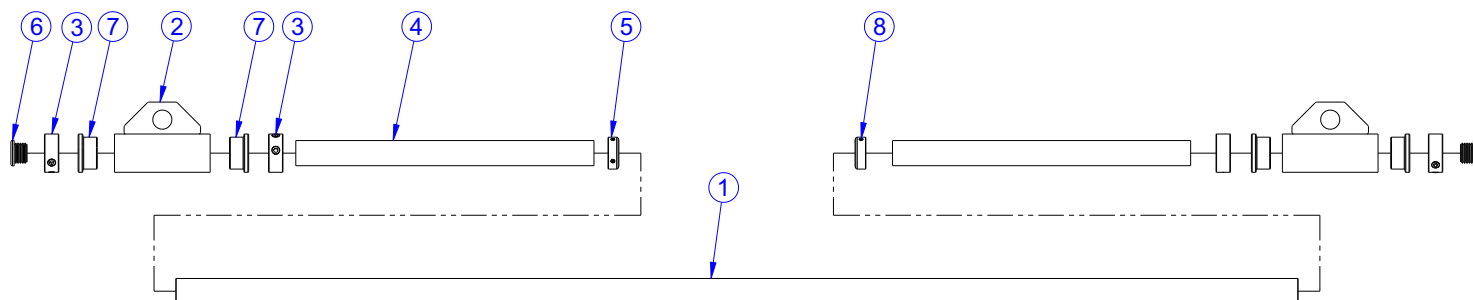
Note: Dry-Erase Marker, DVD,
Towel and Water Bottle
are no longer available.



ITEM NO.	QTY.	PART NO.	DESCRIPTION
1	2	8140702	HANDLE AND STRAP ASSY 12 INCH STRAP
2	1	8619301	BAG, EXERCISE BALL PUMP
3	1	8395501	PAINT, TOUCH-UP, PLAT (NOT AVAILABLE IN USA)
4	1	GLB-001	LONG BAR, G5/G7 HOME GYMS
5	1	8623901	BAG, EXERCISE BALL
6	1	8288601	ASSY THIGH STRAP
7	1	7745801	HANDLE, STRAP FOOT
8	2	7944401	RING, UNIVERSAL ADAPTER
9	2	3103801	LINK, SNAP 5/16 DIA
10	1	8352101	MANUAL, G7
11	1	8265801	PAPER, BINDER, G7 (70 PAGES)

G7-002 G7 HOME GYM LONG BAR ASSEMBLY - GLB-001

NOTE: GLB-001 Assembly only available through Order Management



ITEM NO.	QTY.	PART NO.	DESCRIPTION
1	1	8644901	TUBE, LONG BAR, CONSUMER
2	2	8645001	WLDMT, LONG BAR SWIVEL, CONSUMER
3	4	7435301	COLLAR, SHAFT 1.020 ID
4	2	8645201	GRIP, LONG BAR, CONSUMER
5	2	7662801	RING, GRIP 1.25 OD
6	2	3119304	CAP, END 1 DIA RD 10-12GA
7	4	3104906	1.00" ID 1.25" OD BRONZ BUSHING
8	4	3247701	M4 X .7 HXS NO CUP ST BO

G7-002 G7 HOME GYM HARDWARE BAGS

8548101 KIT, BLISTER PACK SET G7
(Includes packs listed below)

Part Number	Description	Qty.
8345001	G7 BLISTER PACK A - 10-0211-32	1
3256201	SCREW, M10 X 1.5 X 1.5 20MM ZN	24
3264201	WASHER, M10	32
3256211	SCREW, M10 X 1.5 70MM ZN	4
3242002	NUT, M10 X 1.5 HEX NYLOCK	4
8345101	G7 BLISTER PACK B - 10-0211-34	1
3264201	WASHER, M10	8
3256208	SCREW, M10 X 1.5 55MM ZN	2
3242002	NUT, M10 X 1.5 HEX NYLOCK	4
3256206	SCREW, M10 X 1.5 45MM ZN	2
3242201	M5-.8 X 16MM HXS SOC CS ST PH	8
3264201	WASHER, M6	8
3262501	SCREW, SHOULDER, M5 X 6 X 14	32
8345201	G7 BLISTER PACK C - 10-0211-41	1
3240502	M10 X 1.5 X 50 HXS NO CUP ST BO	4
7634401	RETAINER, CM/MJ, GUIDE ROD	4
3232421	RING:BRE .940 5100-100 ST PP B	4
3264201	WASHER, M10	4
3242002	NUT, M10 X 1.5 HEX NYLOCK	2
3256206	SCREW, M10 X 1.5 45MM ZN	2
3256207	SCREW, M10 X 1.5 50MM ZN	2
3264601	NUT, M10 X 1.5 SCK HD, SPL	2
3264501	RETAINER, PULLEY	2
8418901	G7 BLISTER PACK D - 10-0211-42	1
3258301	PULLEY, 88.9 OD X 10 X 25.4	4
3256201	SCREW, M10 X 1.5 X 1.5 20MM ZN	8
3264201	WASHER, M10	8
8447401	G7 BLISTER PACK E - 10-0211-43	1
8229001	COVER, PULLEY, FULL	4
3103801	LINK, SNAP 5/16 DIA	2
7944401	RING, UNIVERSAL ADAPTER	2
3102702	NUT, HEX 1/2-13	2
8447501	G7 BLISTER PACK F - 10-0211-44	1
3242201	M5-.8 X 16MM HXS SOC CS ST PH	12
3264101	WASHER, M6	12
3264201	WASHER, M10	6
3242002	NUT, M10 X 1.5 HEX NYLOCK	3
3256211	SCREW, M10 X 1.5 70MM ZN	3
3264901	SCREW, M10 X 1.5, SH BO	12
3265001	WASHER, 10.5MM X 25MM	12

G7-002 G7 HOME GYM
IMAGE



GADJ-001 BENCH NOT INCLUDED