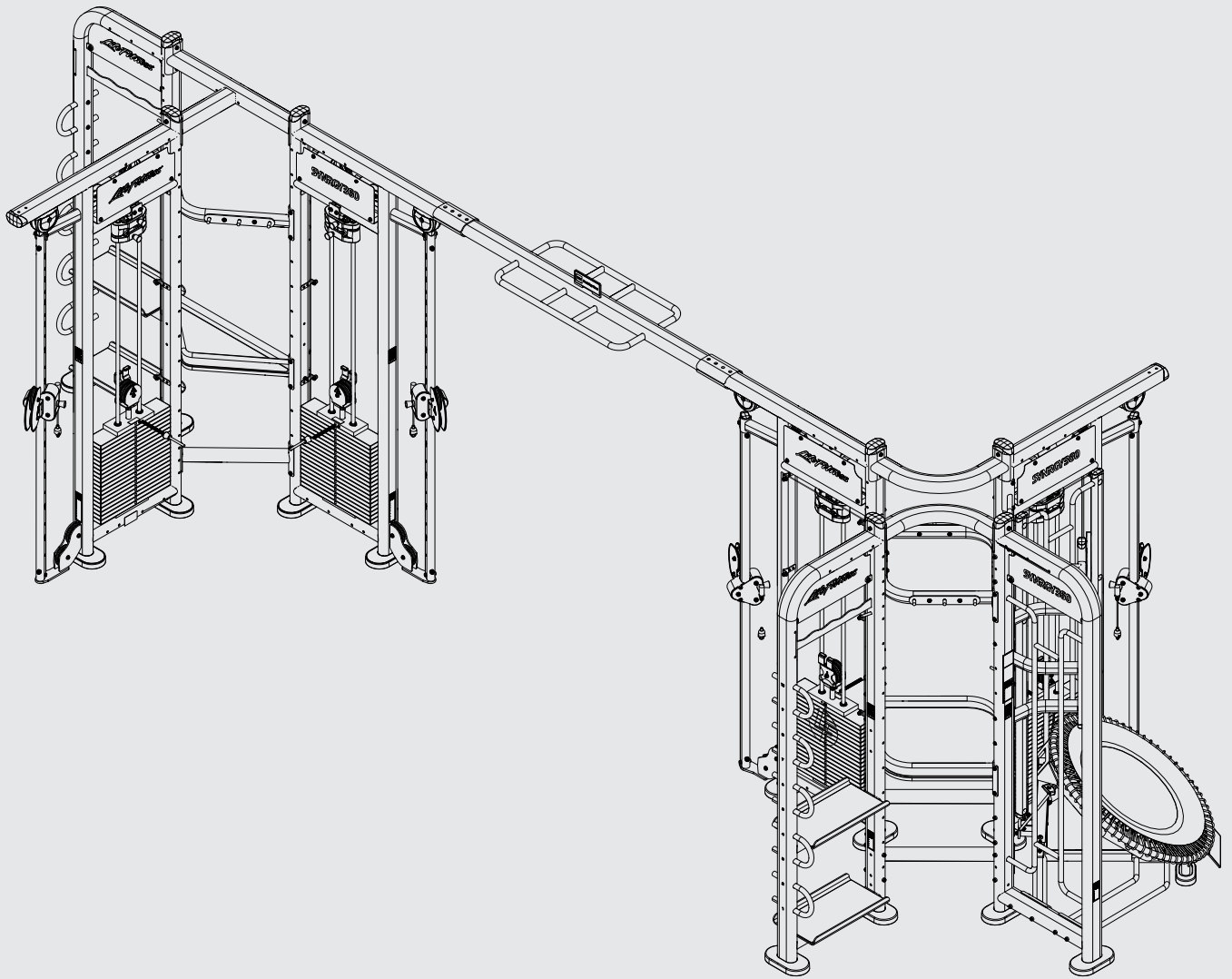


# Synrgy 360™ Training Systems

## Parts Manual



# Table Of Contents

---

## Cable

- Cable Left Painted Frame Weldments ..... 3
- Cable Right Painted Frame Weldments ..... 4
- Cable Components ..... 5
- Cable Components Legend ..... 6
- Cable Carriage ..... 7
- Cable Adjustable Pulley Column ..... 8
- Cable Weight Stack ..... 9
- Cable Stack Pulleys ..... 10
- Cable Supplied Accessories ..... 11
- Cable Front Shrouds ..... 12

## Rebounder

- Rebounder Painted Weldments ..... 13
- Rebounder Connecting Hardware ..... 14
- Rebounder Assembly ..... 15
- Slam Station Assembly ..... 16

## Versa Station

- Versa Painted Frame Weldment ..... 17
- Versa Components ..... 18

- T and XM Components ..... 19
- T and XM Accessory Storage Assemblies ..... 20
- XM Core ..... 21

- XS Components ..... 22
- XS Accessory Storage Assemblies ..... 23

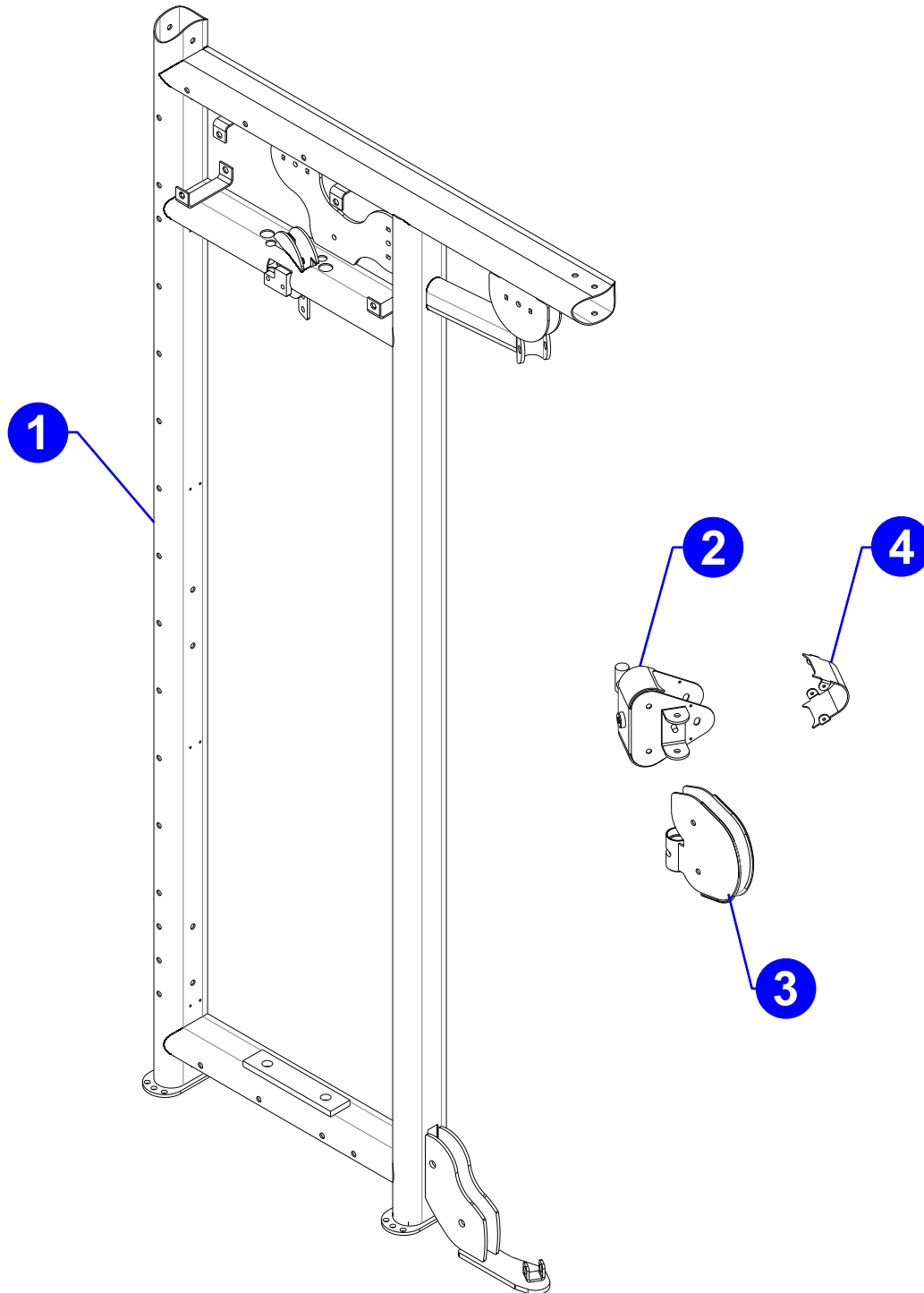
- XL Components ..... 24
- XL Peg Storage ..... 25
- XL Core ..... 26

- QR Codes Sheet ..... 27

## Options

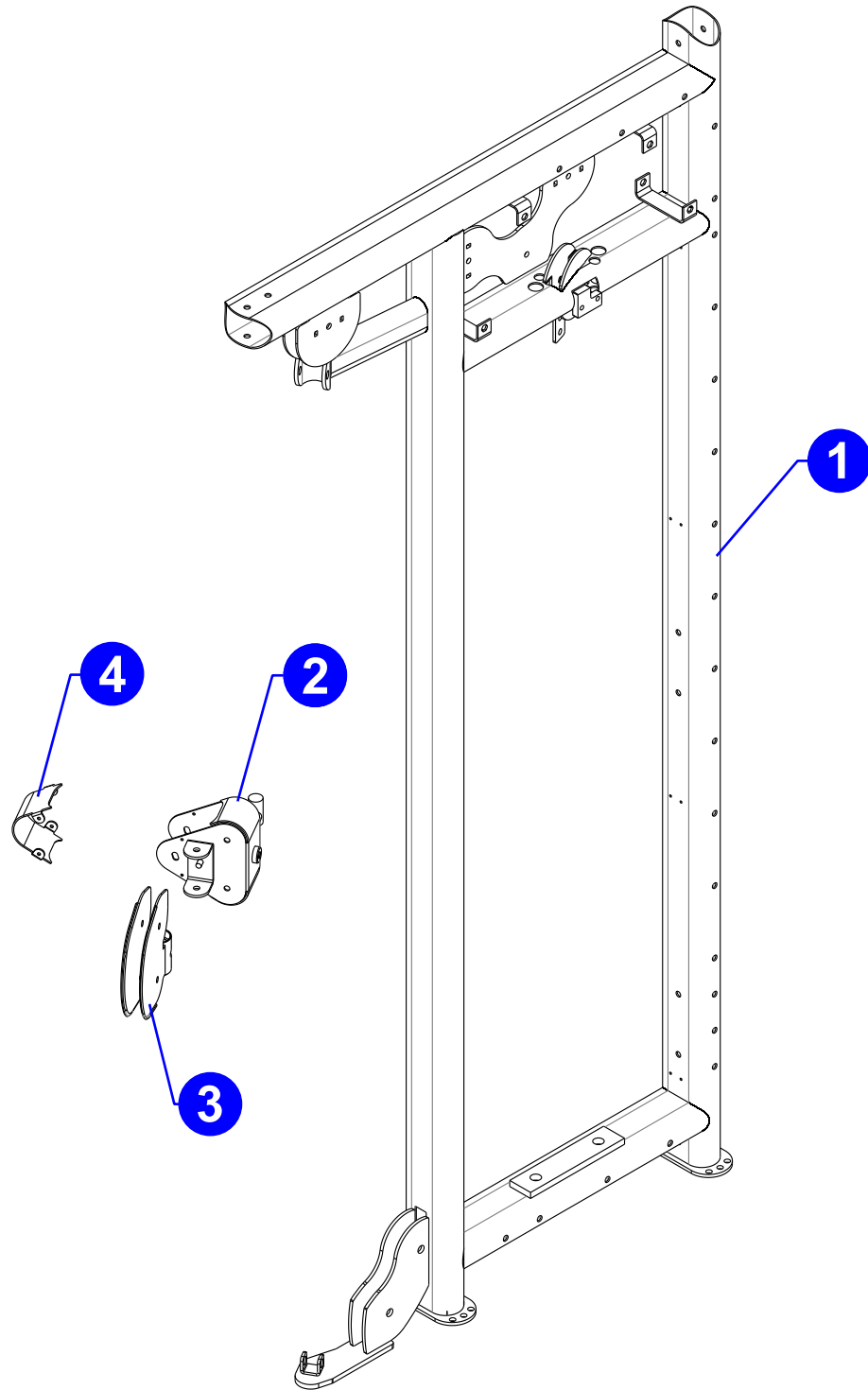
- Options - Cable Crossover Connection ..... 28
- Options - Boxing Connector ..... 29
- Options - Boxing Storage Tray ..... 30
- Options - Dip ..... 31
- Options - MJ Storage Connector ..... 32
- Options - Power Pivot ..... 33
- Options - Power Pivot Shelf ..... 34
- Options - Rock Grip Chin ..... 35
- Options - Rope Pull ..... 36
- Options - Stall Bar ..... 37
- Options - Step Up ..... 38
- Options - Suspension Chin ..... 39
- Options - Cable Shroud Wraps ..... 40

# Cable Left Painted Frame Weldments



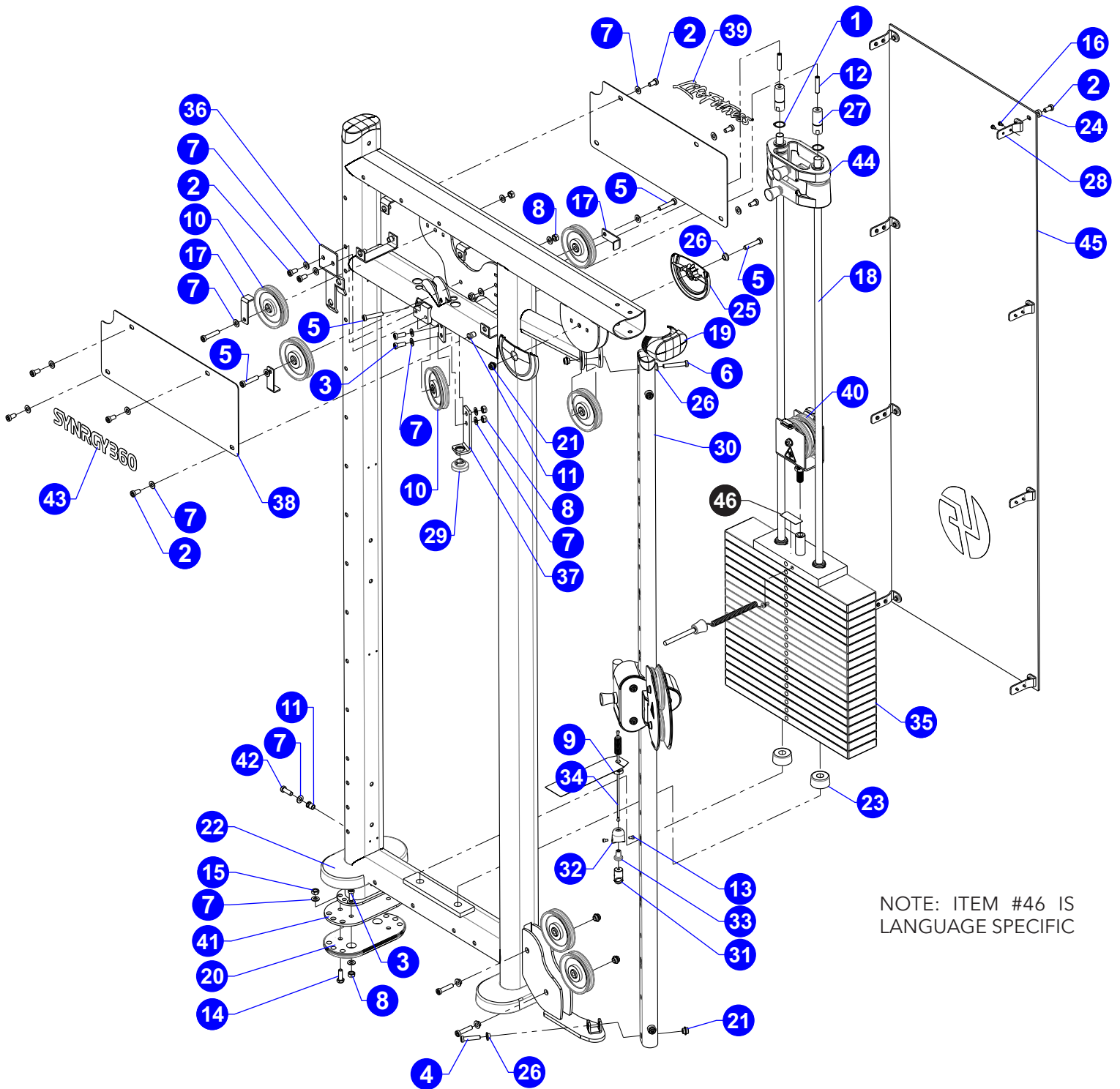
ITEM NO.	QTY.	PART NO.	DESCRIPTION
1	1	9002600	WLDMT, FXT, CABLE COLUMN, LH
2	1	8346701	WLDMT, CMDAP LH CARRIAGE
3	1	7633301	WLDMT, CM/MJ, SWIVEL PULLEY
4	1	7631801	BRKT, CM/MJ, CARRIAGE SHROUD

# Cable Right Painted Frame Weldments



ITEM NO.	QTY.	PART NO.	DESCRIPTION
1	1	9002300	WLDMT, FXT, CABLE COLUMN, RH
2	1	8346901	WLDMT, CMDAP RH CARRIAGE
3	1	7633301	WLDMT, CM/MJ, SWIVEL PULLEY
4	1	7631801	BRKT, CM/MJ, CARRIAGE SHROUD

# Cable Components



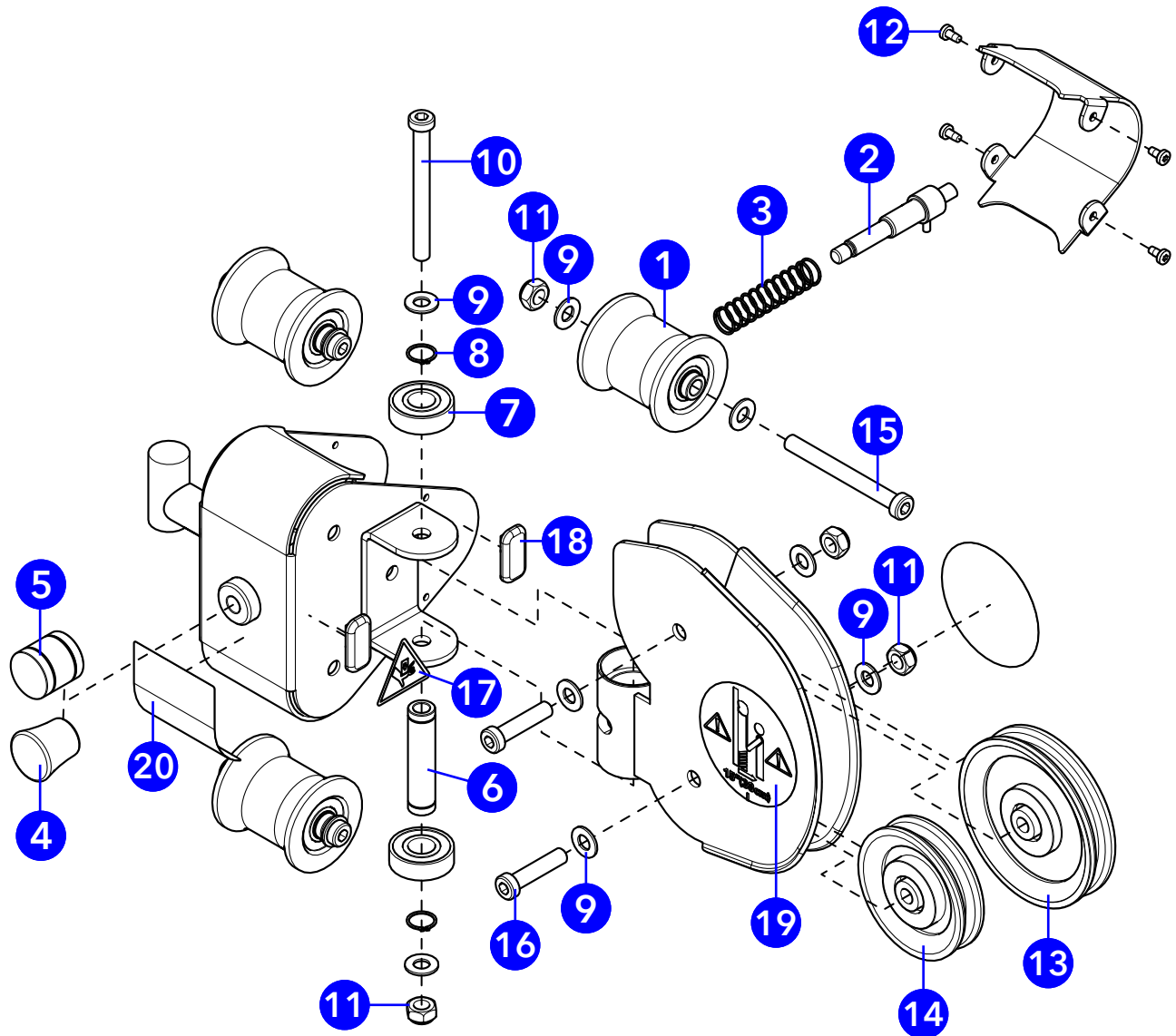
NOTE: ITEM #46 IS LANGUAGE SPECIFIC

See page 6 for table

# Cable Components Legend

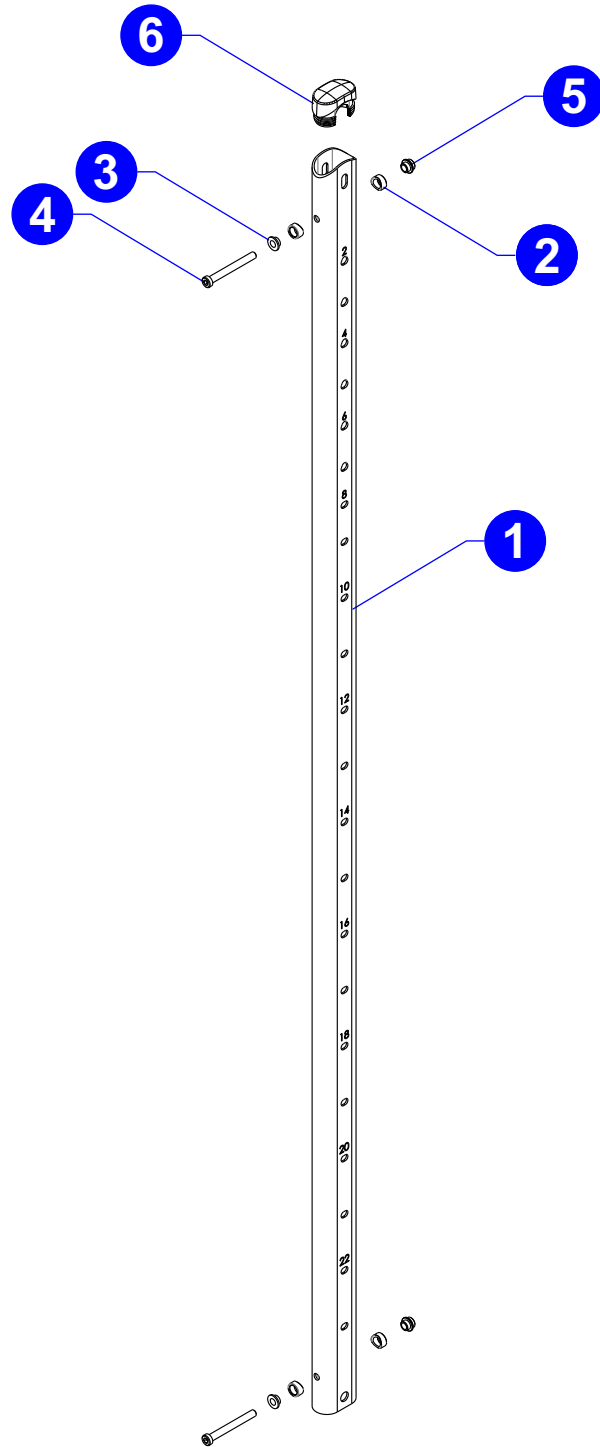
ITEM NO.	QTY.	PART NO.	DESCRIPTION
1	2	3232421	RING, BRE .940, 5100-100 ST PP B
2	18	3236201	SCREW, M10 X1.5 20MM
3	6	3236202	SCREW, M10 X1.5 25MM
4	3	3236206	SCREW, M10 X1.5 45MM
5	5	3236207	SCREW, M10 X1.5 50MM
6	1	3236209	SCREW, M10 X1.5 60MM
7	33	3236601	WASHER, 3/8 SAE SS
8	9	3236801	NUT, M10 HEX NYLOCK SS
9	1	3236902	NUT, HEX JAM M16 X 2 SS
10	7	3237801	PULLEY, 1/4 IN CABLE (T3), 4.5 IN OD
11	9	3238601	M10X1.5 BLIND THREADED INSERT (HEX)
12	2	3240502	M10 X 1.5 X 50 HXS NO CUP ST BO
13	2	3250002	M5 X 0.8 HXS SOC CS ST BZ X 8
14	4	3251203	SCREW, M10 X1.5 X 30MM UNS HEX CS ST ZN
15	4	3254703	NUT, M10 X 1.5 HEX ZINC
16	16	3270601	SCREW, #10-32 TRX PAN ST BZ
17	3	6757701	CLIP, CABLE 2-7/8 X 1 X 1
18	2	7328618	GUIDE ROD, .75 OD SOLID 71.50
19	1	7333901	CAP, LARGE FLOV- END
20	2	9199101	FOOT, FXT FLOV - LARGE
21	5	7335401	NUT, M10 X 1.5 SOCKET HEAD
22	2	9169201	COVER, FXT FOOT - LARGE
23	2	7352101	CUSHION, WEIGHT STACK
24	8	7385201	SPACER, .406 X .750 X .250
25	2	7630001	COVER, PULLEY BOLTED PARTIAL
26	5	7630101	RETAINER, CM/MJ, PULLEY
27	2	7634401	RETAINER, CM/MJ, GUIDEROD
28	8	7642095	BRKT, CM/MJ, REARSHROUD SG
29	1	7642301	BUMPER, CM/MJ, PLUG
30	1	SEE PAGE 8	ASSY, CM/MJ, ADJ PLY COLUMN
31	1	8943601	LINK, CM/MJ, CABLE END
32	1	8943701	HSNG, CM/MJ, CABLE END
33	1	8943801	INSERT, CM/MJ, CABLE END
34	1	8946908	CABLE, CMDAP
35	1	SEE PAGE 9	ASSY, 390LB STACK W/O PIN
36	1	9231103	STRIKERPLATE, INCR WGT.
37	1	1013912-9301	BRKT, STACK BUMPER MOUNT SGR
38	2	9107193	FLAG, FXT CC HWG
39	1	9120401	LABEL, LIFE FITNESS, WHITE
40	1	SEE PAGE 10	ASSY, CMDAP STACK PULLEYS
41	2	9173101	PLATE, FXT FOOT - LARGE
42	1	3236203	SCREW, M10 X1.5 30MM
43	1	9480401	LABEL: SYNRGY360
44	2	9102601	ASSY, INCREMENT WGT.
45	1	8353201	SHROUD, CM/MJ REAR
46	1	7744599	LABEL, WEIGHT AT HANDLE

# Cable Carriage



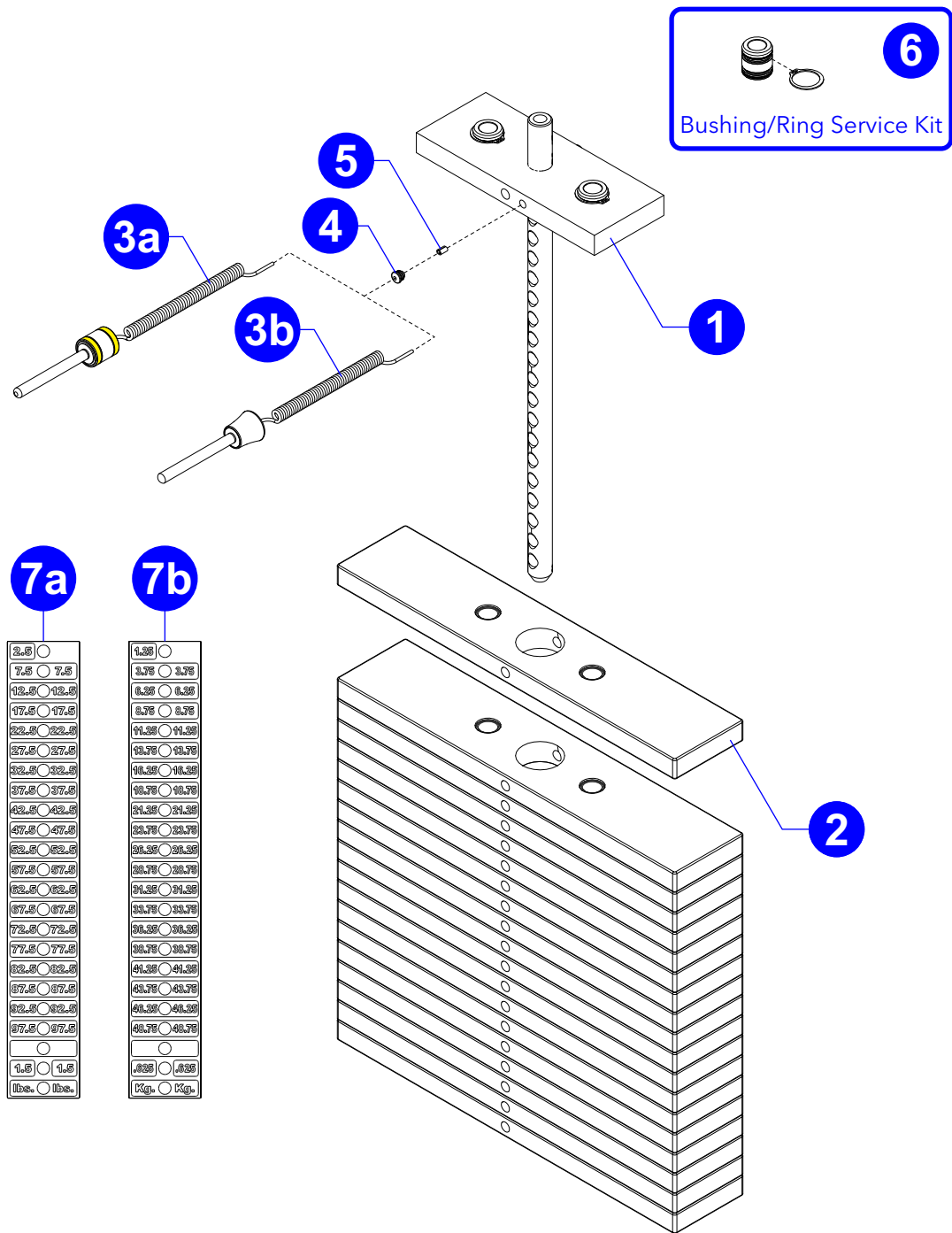
ITEM NO.	QTY.	PART NO.	DESCRIPTION
1	3	7637901	ASSY, ROLLER-CONCAVE
2	1	1002880-0001	ASSY, CM/MJ PIN-PULL, BEVEL NOSE
3	1	7351501	SPRING, PULL PIN LARGE
4	1	7351401	KNOB, TULIP STYLE
5	1	7424803	KNOB, POP PIN, YELLOW
6	1	7645401	SHAFT, CM/MJ, 6203 BRNG
7	2	3245901	BEARING, 6203
8	2	3232413	RING, BRE .631, 5100-66, ST PP B
9	12	3236601	WASHER, 3/8 SAE SS
10	1	3236217	SCREW, M10 X1.5 100MM
11	6	3236801	NUT, M10 HEX NYLOCK SS
12	4	3270601	SCREW, #10-32 X3/8 TRX PAN ST BZ
13	1	3237801	PULLEY, 1/4 IN CABLE (T3), 4.5 IN OD
14	1	3245701	PULLEY, 3.5" OD, 10MM ID
15	3	3236216	SCREW, M10 X1.5 95MM
16	2	3236206	SCREW, M10 X1.5 45MM
17	2	8039501	LABEL, WARNING, TRIANGLE, 10-0099-067, BNR
18	2	7570801	GUARD, PAINT 1.25"x.75"x.25"
19	1	1011299-0001	LABEL: WARNING, ADJ CARRIAGE
20	1	7821001	LABEL, WARNING ADJ CARRIAGE

# Cable Adjustable Pulley Column



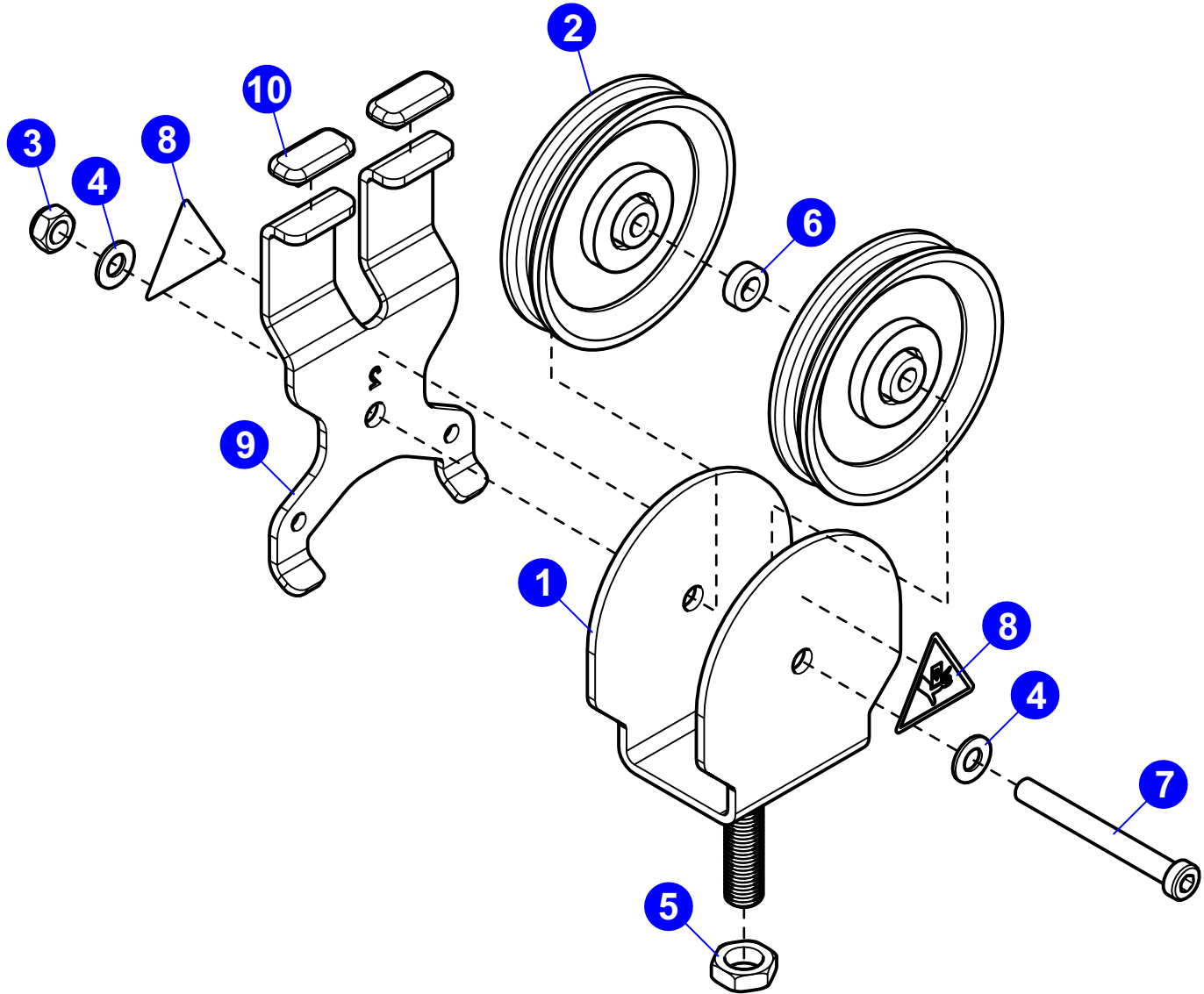
ITEM NO.	QTY.	PART NO.	DESCRIPTION
1	1	8264101	TUBE, CM/MJ ADJ COLUMN
2	4	7645501	SPACER, CM/MJ, SM FLOV CONCAVE
3	2	7630101	RETAINER, CM/MJ, PULLEY
4	2	3236215	SCREW, M10 X1.5 90MM
5	2	7335401	NUT, M10 X 1.5 SOCKET HEAD
6	1	7333801	CAP, SMALL FLOV- END

# Cable Weight Stack



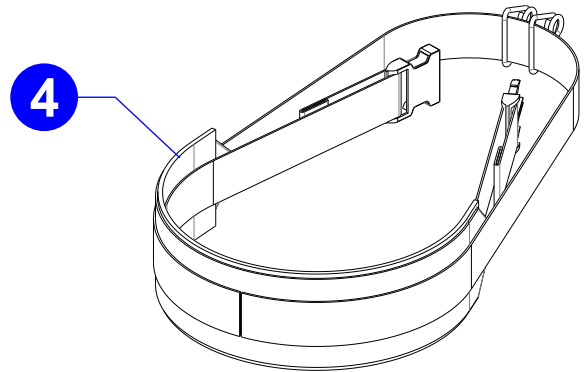
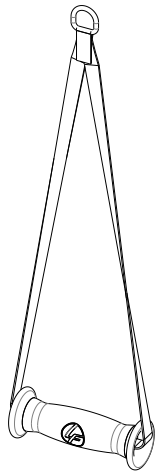
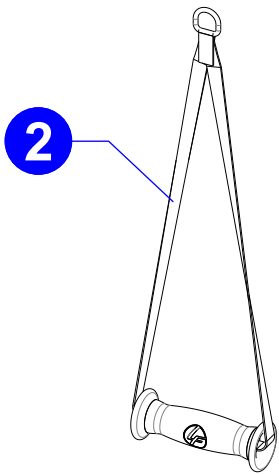
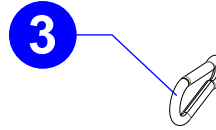
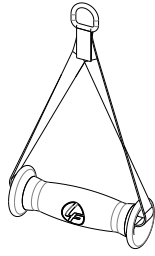
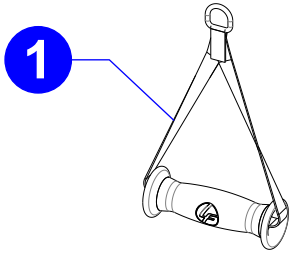
ITEM NO.	QTY.	PART NO.	DESCRIPTION	
1	1	8920201	19 HOLE HEAD PLATE/BAYONET SER. KIT ASSY	
2	19	7328401	WEIGHT PLATE, 20 LB	
3	a	1	7353001	ASSY, SELECTOR PIN
			8981903	ASSY, WT STACK SELECTOR PIN, SRT - YELLOW
4	1	7356501	PLUG, LANYARD ATTACHMENT	
5	1	7523601	CRIMP, CABLE	
6	2	7338001	BUSHING, HEADPLATE	
7	a	1	9138101	LABEL, WGHT STK, 97.5 LBS
			9138201	LABEL, WGHT STK, 48.75 KG

# Cable Stack Pulleys



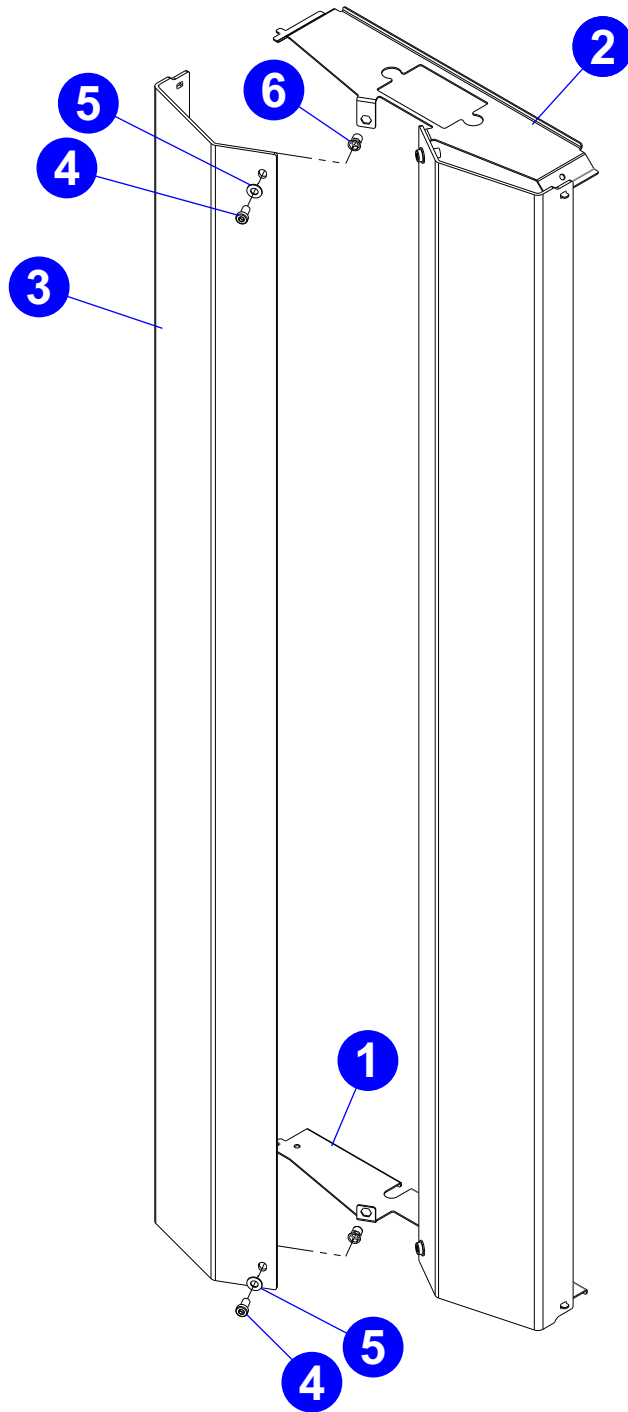
ITEM NO.	QTY.	PART NO.	DESCRIPTION
1	1	1012796-9301	WELDMENT: FLOATING DOUBLE PULLEY -HWG
2	2	3237801	PULLEY, 1/4 IN CABLE (T3), 4.5 IN OD
3	1	3236801	NUT, NYLOCK M10 X 1.5 SS
4	2	3236601	WASHER, 3/8 SAE STAINLESS STEEL
5	1	3236902	NUT, HEX JAM M16 X 2 SS
6	1	7385201	SPACER, .406 X .750 X .250 SS
7	1	3236215	M10 X 1.5 X 90 SHCS, LOW HEAD
8	2	8039501	LABEL, WARNING TRIANGLE
9	1	1013924-9301	BRACKET: INC WEIGHT, DBL PULLEY, 7 GA -HWG
10	2	7570801	GUARD, PAINT 1.25 X .75 X .25

# Cable Supplied Accessories



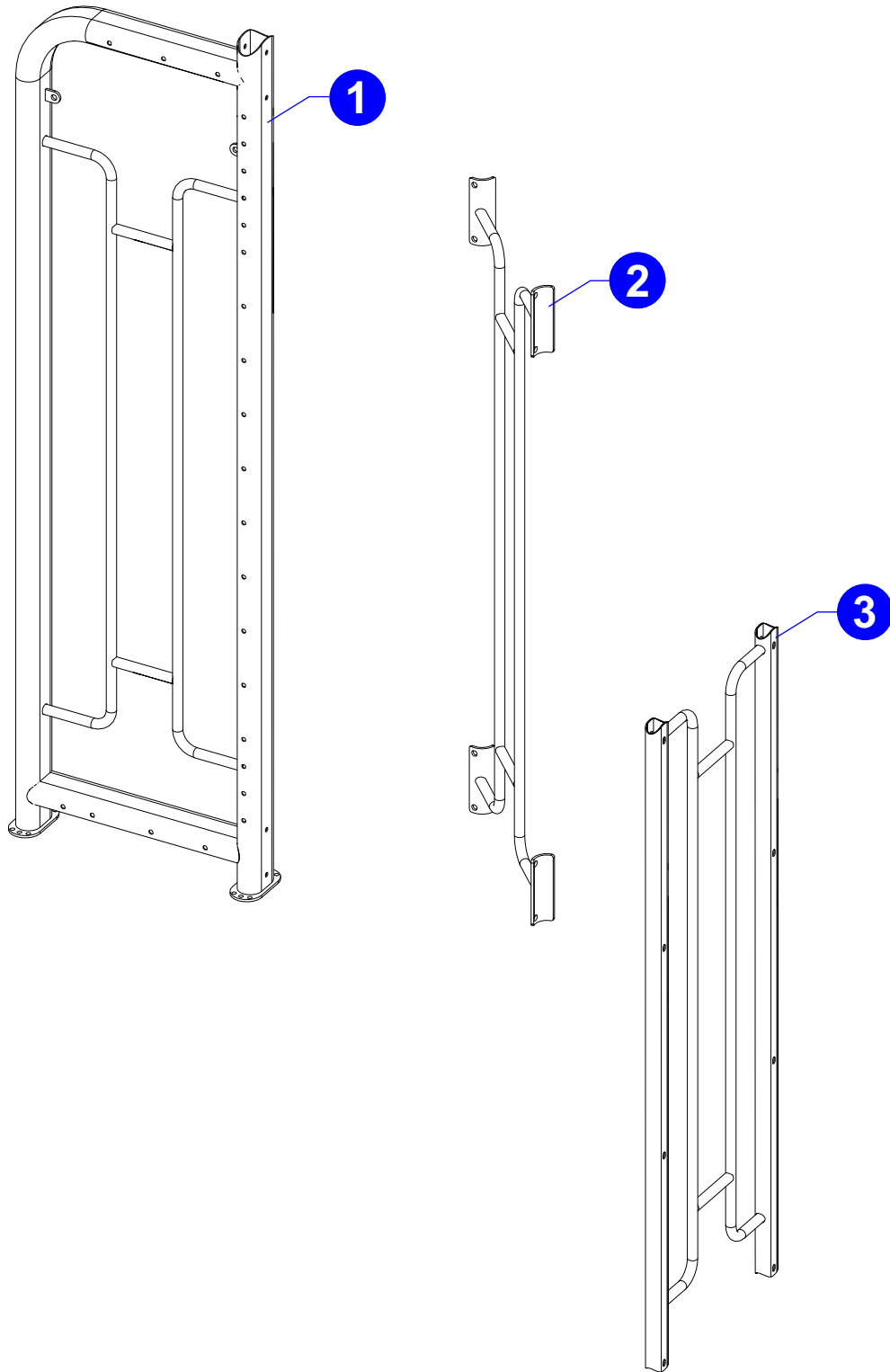
ITEM NO.	QTY.	PART NO.	DESCRIPTION
1	2	8219601	HANDLE, CM/MJ, SHORT STRAP
2	2	8219701	HANDLE, CM/MJ, LONG STRAP
3	2	3250201	SNAP LINK, 3/8" DIA
4	1	8929101	BELT, CMDAP

# Cable Front Shrouds



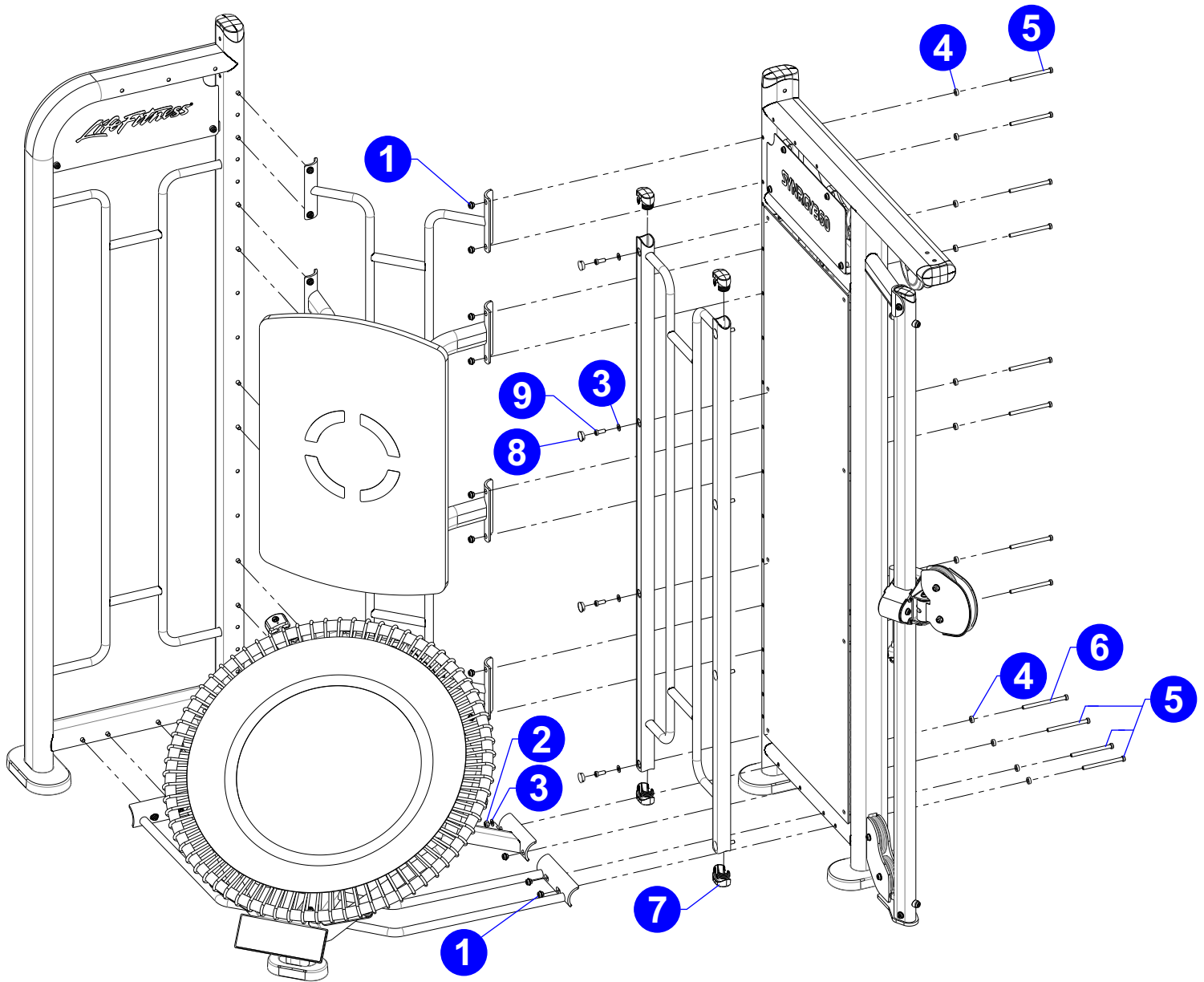
ITEM NO.	QTY.	PART NO.	DESCRIPTION
1	1	9035995	BRKT, SHROUD, CMDAP, BOTTOM, SG
2	1	9035795	BRKT, SHROUD, CMDAP, TOP, SG
3	2	9035801	SHROUD, CM/MJ FRONT
4	4	3236201	M10 X 1.5 X 20 SHCS, LOW HEAD
5	4	3236601	WASHER, 3/8 SAE STAINLESS STEEL
6	4	3238601	M10X1.5 BLIND THRD INSERT(HEX)

# Rebounder Painted Weldments



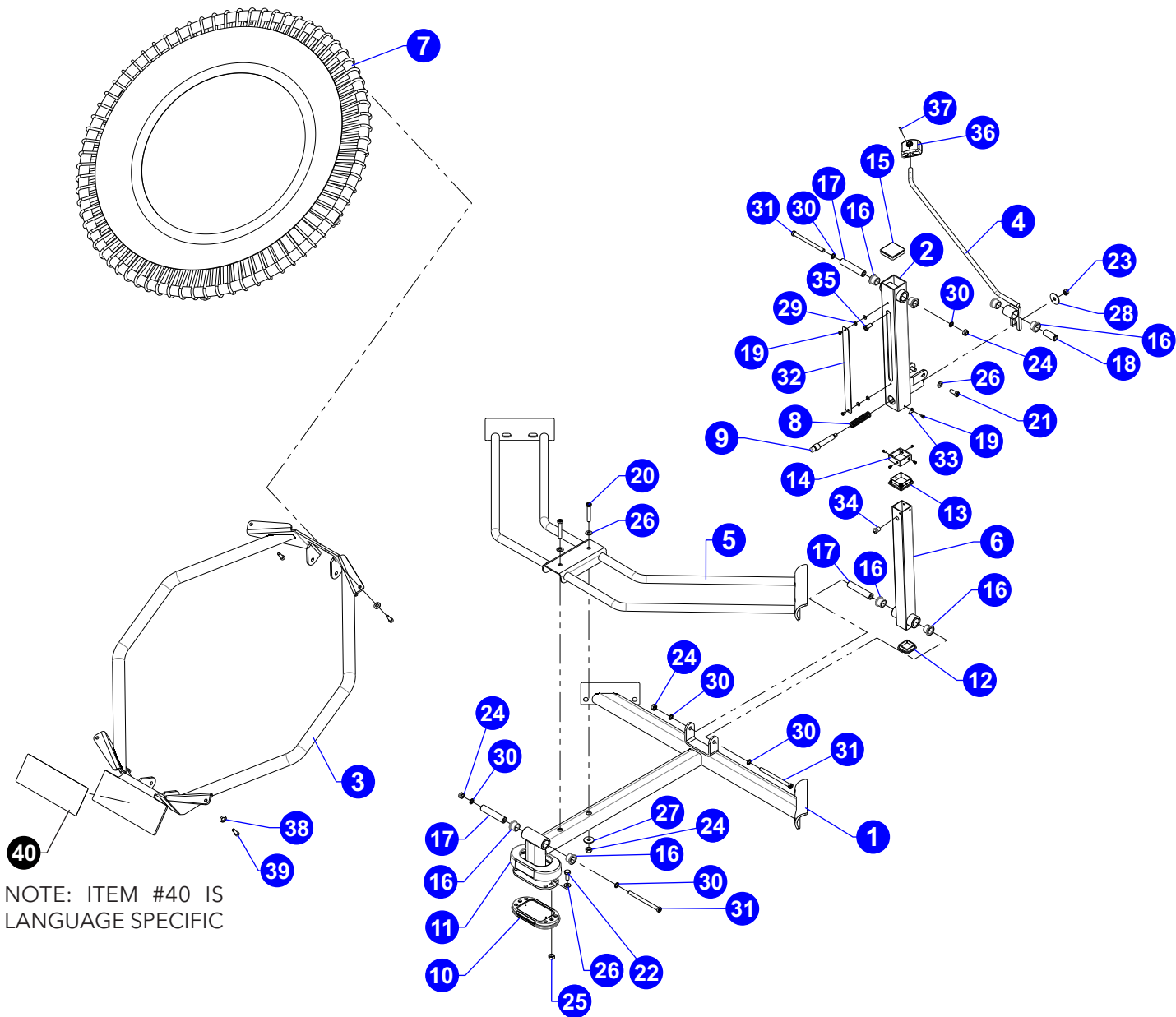
ITEM NO.	QTY.	PART NO.	DESCRIPTION
1	1	9205600	WLDMT, FXT RB FRAME
2	1	9180500	WLDMT, FXT RB GUARD, CENTER
3	1	9180900	WLDMT, FXT, RB CC GUARD

# Rebounder Connecting Hardware



ITEM NO.	QTY.	PART NO.	DESCRIPTION
1	14	7335401	NUT, M10 X 1.5 SOCKET HEAD
2	2	3236801	NUT, M10 HEX NYLOCK SS
3	10	3236601	WASHER, 3/8 SAE SS
4	16	7385201	SPACER, .406 X .750 X .250
5	14	3236220	SCREW, M10 X1.5 130MM
6	2	3236221	SCREW, M10 X1.5 140MM
7	4	7333801	CAP, SMALL FLOV- END
8	8	3237403	PLUG, 1" HOLE
9	6	3236202	M10 X 1.5 X 25 SHCS, LOW HEAD

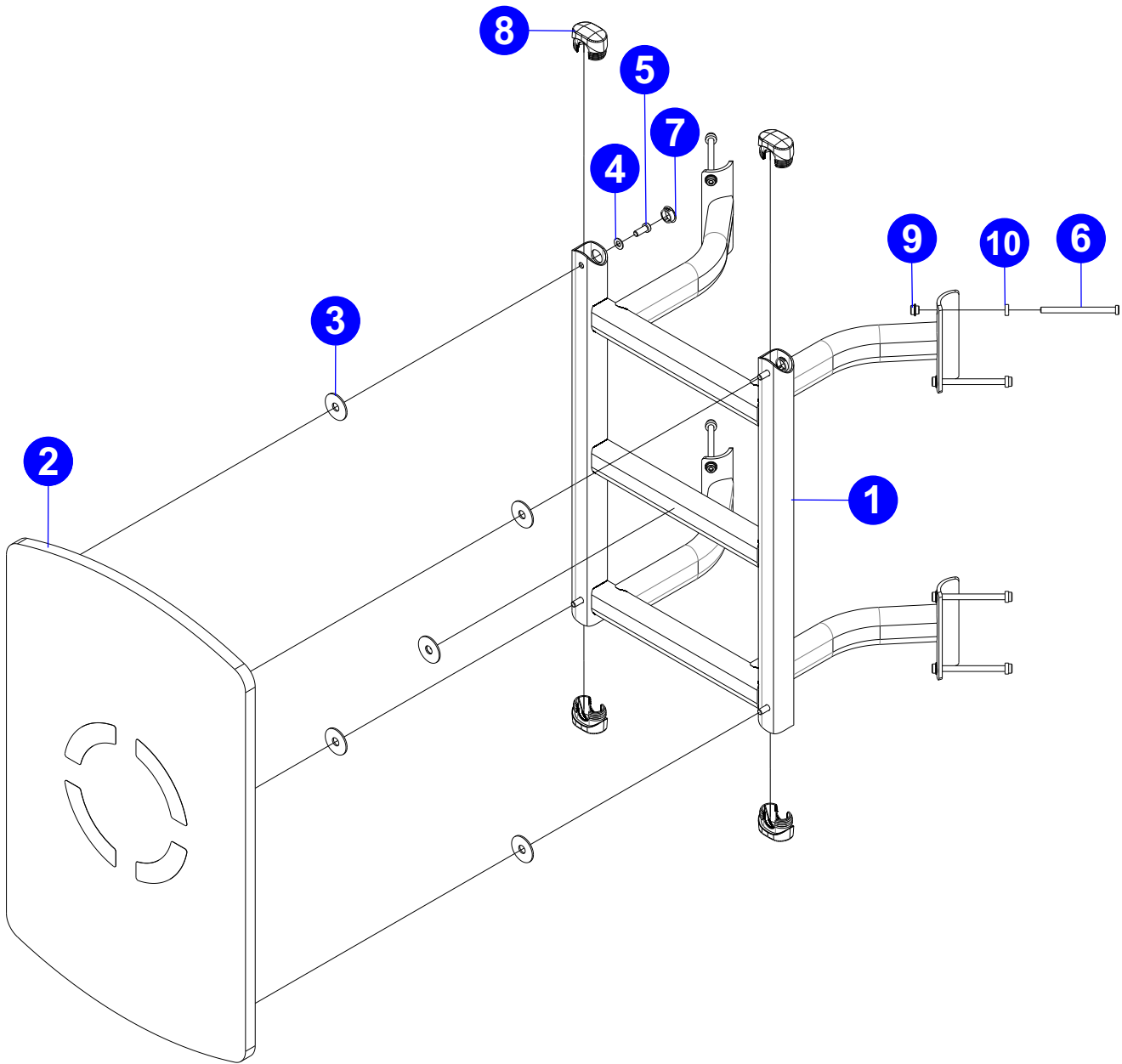
# Rebounder Assembly



ITEM NO.	QTY.	PART NO.	DESCRIPTION
1	1	9454393	WLDMT, FXT, REBOUNDER, BASE
2	1	9576993	WLDMT, FXT, REBOUNDER, RECEIVER HWG
3	1	9586093	WLDMT, FXT, REBOUNDER, BACK FRAME
4	1	9577193	WLDMT, FXT, REBOUNDER, HANDLE HWG
5	1	9104393	WLDMT, FXT, REBOUNDER, RACK HWG
6	1	9577301	WLDMT, FXT, REBOUNDER, ADJUST SLIDE
7	1	9578201	ASSY, FXT, REBOUNDER
8	1	9586101	SPRING, PULL PIN, REBOUNDER
9	1	7351301	PIN, PULL X 4.375
10	1	7334001	FOOT, 2.50 X 4.49 FLOV
11	1	7340201	COVER, FOOT - STRAIGHT
12	1	7477501	CAP, END, 1-3/4 SQ, 11GA SGR
13	1	7660101	INSERT: FWMAB PLASTIC SEAT 2 X 2
14	1	7662301	BUSHING, FWMAB SLIDE
15	1	7689901	CAP, END 2.25 X 2.25
16	8	3104901	.75" ID 1.00" OD BRONZE BUSHING
17	3	9447601	TUBE, 0.75 DIA X 3.83
18	1	7324802	SHAFT, TAPPED 0.75 DIA X 1.800
19	4	3270604	SCREW, #10-32 X .25 TRX PAN ST BZ
20	2	3236209	SCREW, M10 X1.5 60MM

ITEM NO.	QTY.	PART NO.	DESCRIPTION
21	2	3236202	SCREW, M10 X1.5 25MM
22	2	3251202	SCREW, M10 X1.5 X 25MM UNS HEX CS ST ZN
23	1	3102802	NUT, NYLOCK 3/8-16
24	5	3236801	NUT, M10 HEX NYLOCK SS
25	2	3254703	NUT, M10 X 1.5 HEX ZINC
26	6	3236601	WASHER, 3/8 SAE SS
27	2	3236602	WASHER, 3/8 ID X 1.25 OD SS
28	1	3236701	WASHER, FENDER 3/8" ID X 1.5" OD SS
29	4	3114407	WASHER, SAE #10
30	6	3239503	WSH, .375 IN-D ST ZN
31	3	3236220	SCREW, M10 X1.5 130MM
32	1	9580993	PLATE, FXT-RB, SLOT COVER
33	2	1000450-0001	BRKT, BUSHING RETAINER
34	1	3238601	M10X1.5 BLIND THREADED INSERT (HEX)
35	1	3236201	SCREW, M10 X1.5 20MM
36	1	9402503	HANDLE, SS-SEAT
37	1	3110010	ROLL PIN, 1/8 X 7/8
38	4	3236601	WASHER, 3/8 SAE STAINLESS STEEL
39	4	3276202	SCREW, SHCS M8 X 1.25 X "L"
40	1	9576599	LABEL, FXT, REBOUNDER

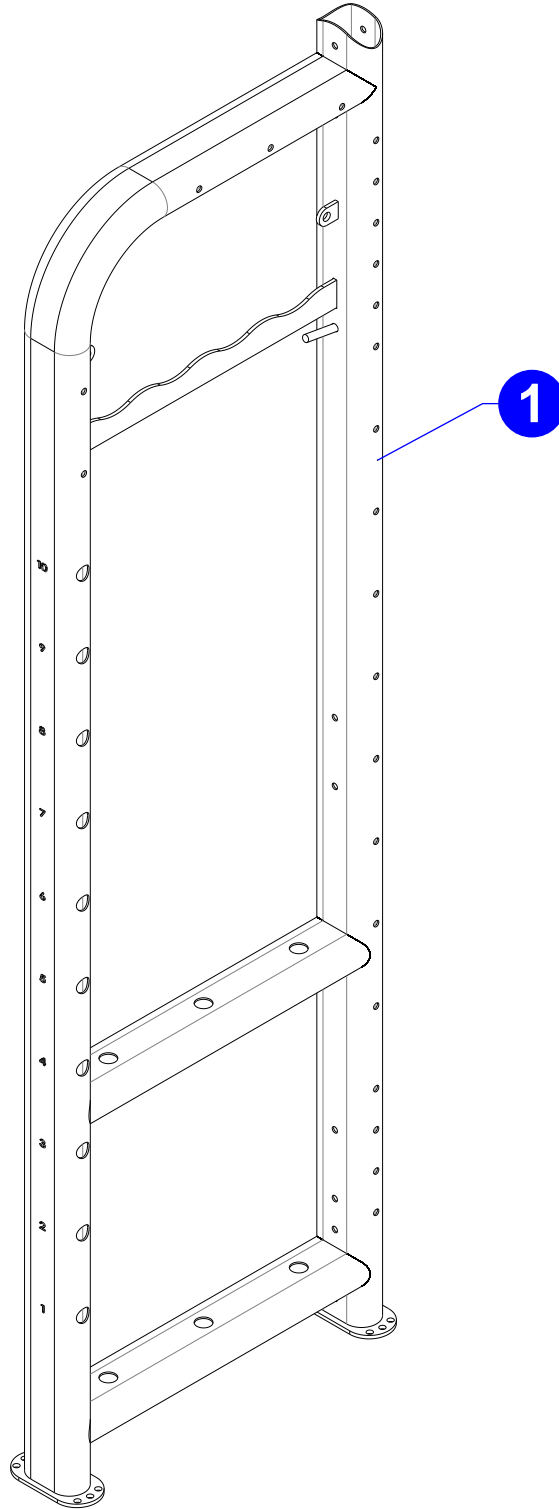
# Slam Station Assembly



ITEM NO.	QTY.	PART NO.	DESCRIPTION
1	1	9578393	WLDMT, FXT, SLAM STATION
2	1	9583701	ASSY, FXT, SLAM BOARD
3	5	9572701	CUSHION, FXT SLAM STATION
4	4	3236601	WASHER, 3/8 SAE SS
5	4	3236202	SCREW, M10 X1.5 25MM
6	8	3236220	SCREW, M10 X1.5 130MM
7	4	3237403	PLUG, 1" HOLE
8	4	7333801	CAP, SMALL FLOV- END
9	8	7335401	NUT, M10 X 1.5 SOCKET HEAD
10	8	7385201	SPACER, .406 X .750

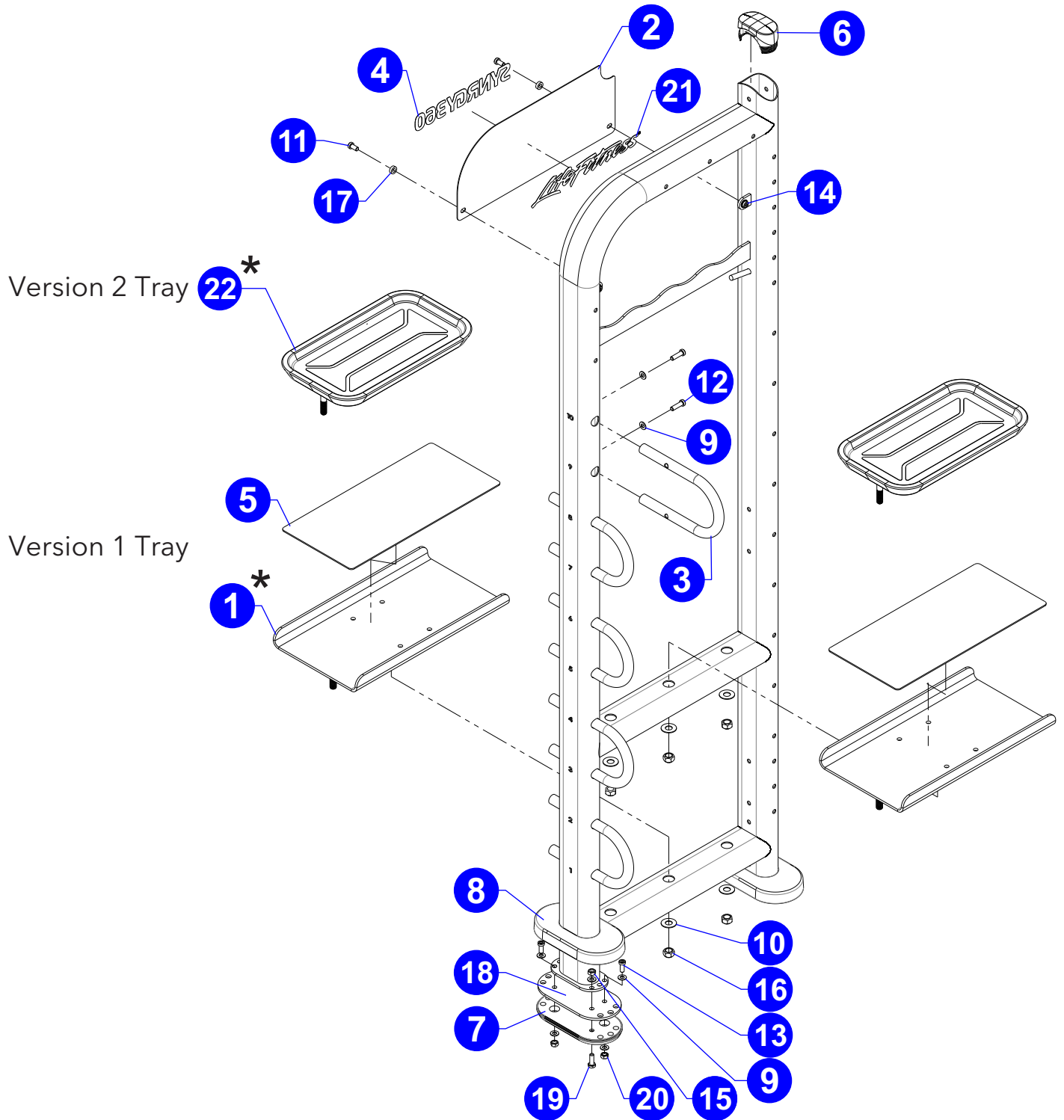
# Versa Painted Frame Weldment

---



ITEM NO.	QTY.	PART NO.	DESCRIPTION
1	1	9001800	WLDMT, FXT, UNIVERSAL

# Versa Components



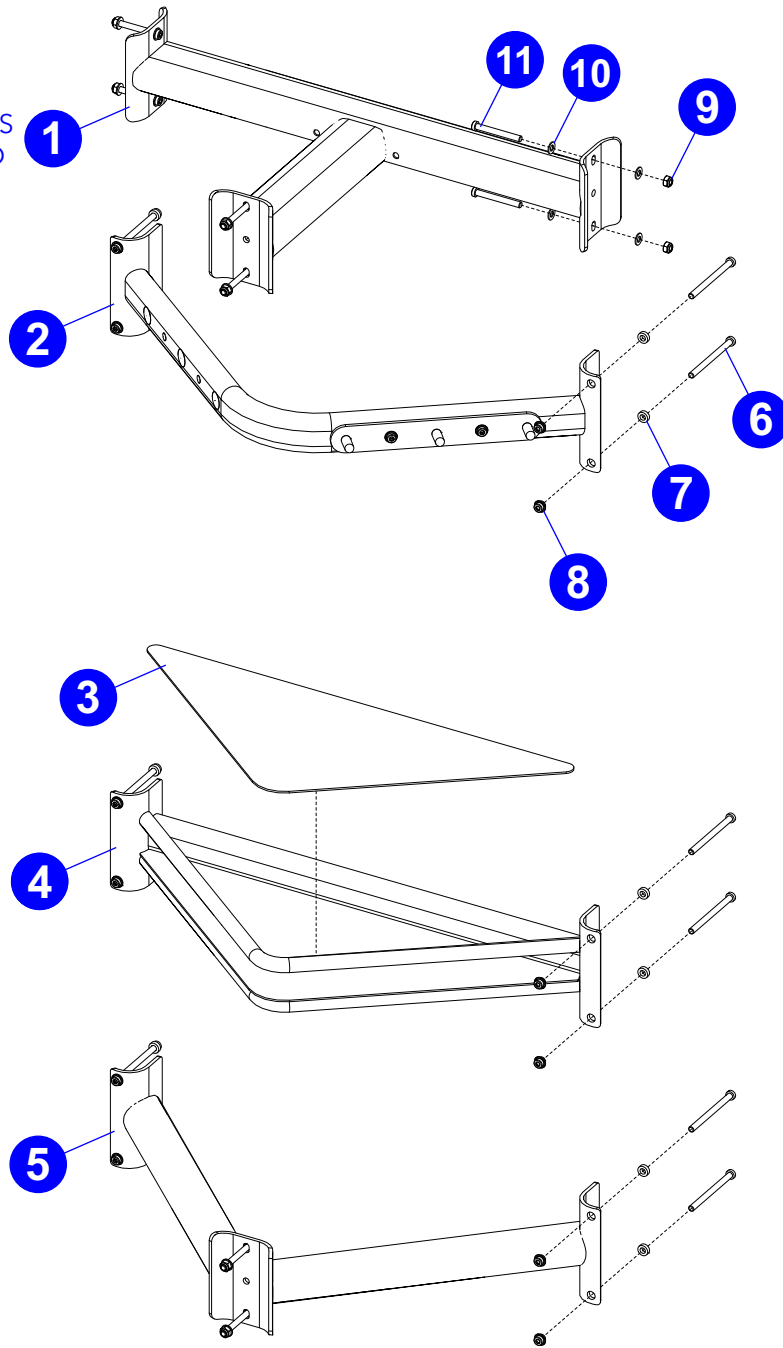
\* See KB article *Life Fitness Synergy90, Synergy360 Accessory Tray Design Changes* for more details

ITEM NO.	QTY.	PART NO.	DESCRIPTION
1	2	9103993	WLDMT, FXT, STORAGE, UNIVERSAL HWG
2	1	9107593	FLAG, FXT UNIVERSAL
3	5	9013801	BROUND, FXT, U-HOOK
4	1	9120401	LABEL, LIFE FITNESS, WHITE
5	2	9126001	PAINT GUARD, FXT, UNIVERSAL
6	1	7333901	CAP, LARGE FLOW- END
7	2	9199101	FOOT, FXT FLOW - LARGE
8	2	9169201	COVER, FXT FOOT - LARGE
9	22	3236601	WASHER, 3/8 SAE SS
10	6	3236603	WASHER, 11/16 SAE SS
11	2	3236201	SCREW, M10 X1.5 20MM

ITEM NO.	QTY.	PART NO.	DESCRIPTION
12	10	3236204	SCREW, M10 X1.5 35MM
13	4	3236202	SCREW, M10 X1.5 25MM
14	2	7335401	NUT, M10 X 1.5 SOCKET HEAD
15	4	3254703	NUT, M10 X 1.5 HEX ZINC
16	6	3236804	NUT, M16 HEX NYLOCK SS
17	2	7385201	SPACER, 406 X.750 X.250
18	2	9173101	PLATE, FXT FOOT - LARGE
19	4	3251203	SCREW, M10 X1.5 X30MM UNS HEX CS ST ZN
20	4	3236801	NUT, M10 HEX NYLOCK SS
21	1	9480401	LABEL: SYNRGY360
22	2	1005022-0002	TRAY, 11.5 X20.25, OVERMOLD -BLK

# T and XM Components

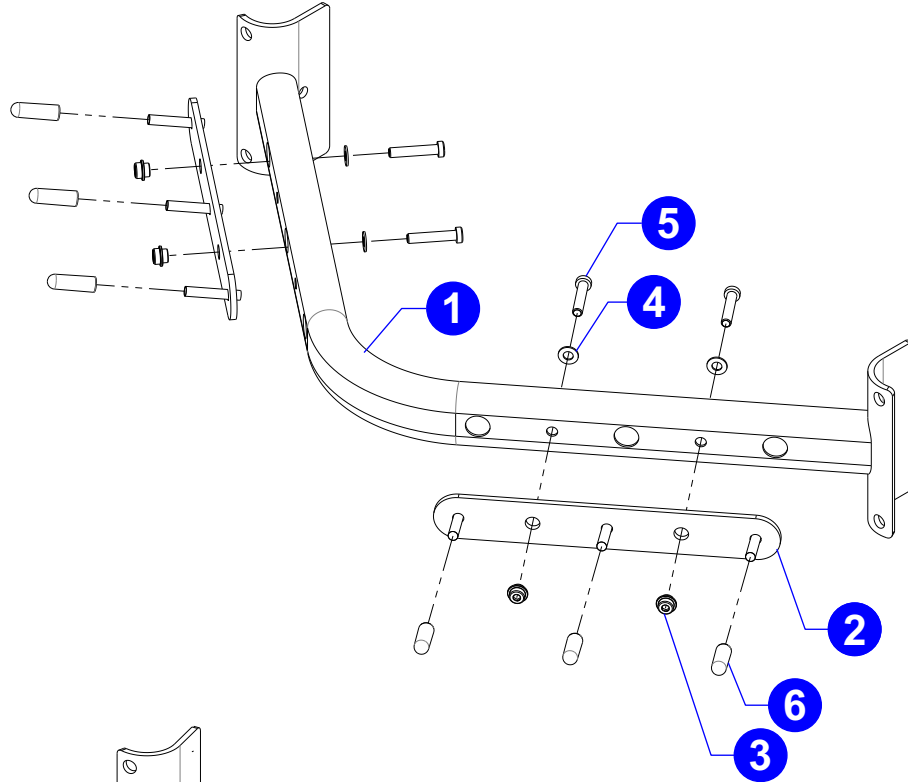
NOTE: ITEM #1 IS  
FRAME PAINTED



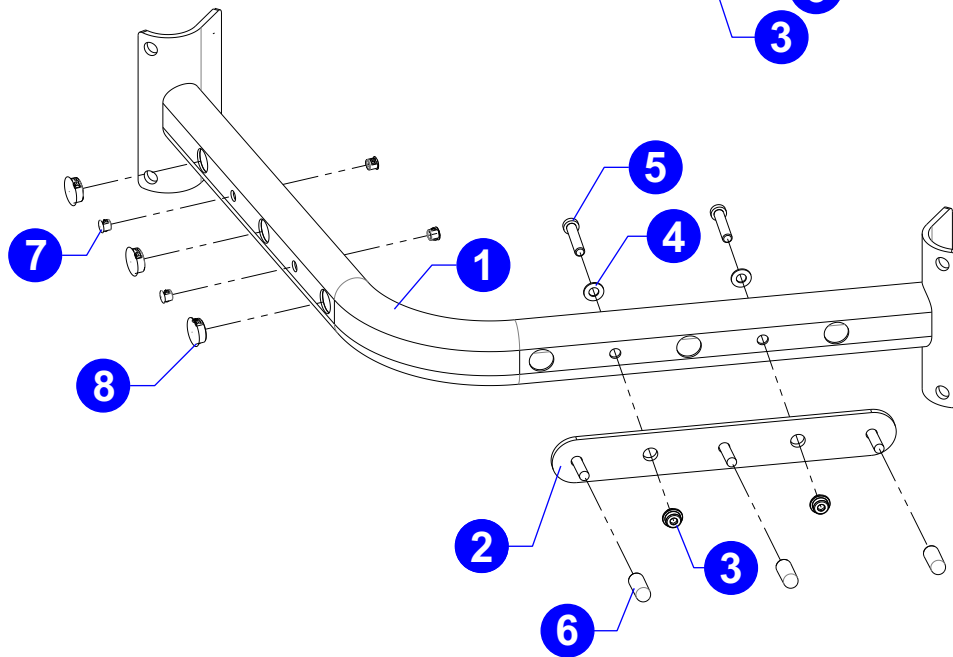
ITEM NO.	QTY.	PART NO.	DESCRIPTION
1	1	9168000	WLDMT, FXT, T-CONNECT
2	1	SEE PAGE 20	ASSY, FXTT, ACCESSORY STORAGE
3	1	9188801	PAINT GUARD, FXTT, STORAGE
4	1	9167293	WLDMT, FXTT, STORAGE - HWG
5	1	9218301	WLDMT, FXTT BATTLE ROPE, PLATED
6	12	3236220	M10 X 1.5 X 130 SHCS, LOW HEAD
7	12	7385201	SPACER, .406 X .750 X .250 SS
8	12	7335401	NUT, SOCKET HEAD M10 X 1.5 SS
9	8	3236804	NUT, M16 HEX NYLOCK SS
10	16	3236601	WASHER, 3/8 SAE STAINLESS STEEL
11	8	3236214	M10 X 1.5 X 85 SHCS, LOW HEAD

# T and XM Accessory Storage Assemblies

9168301  
Two Peg

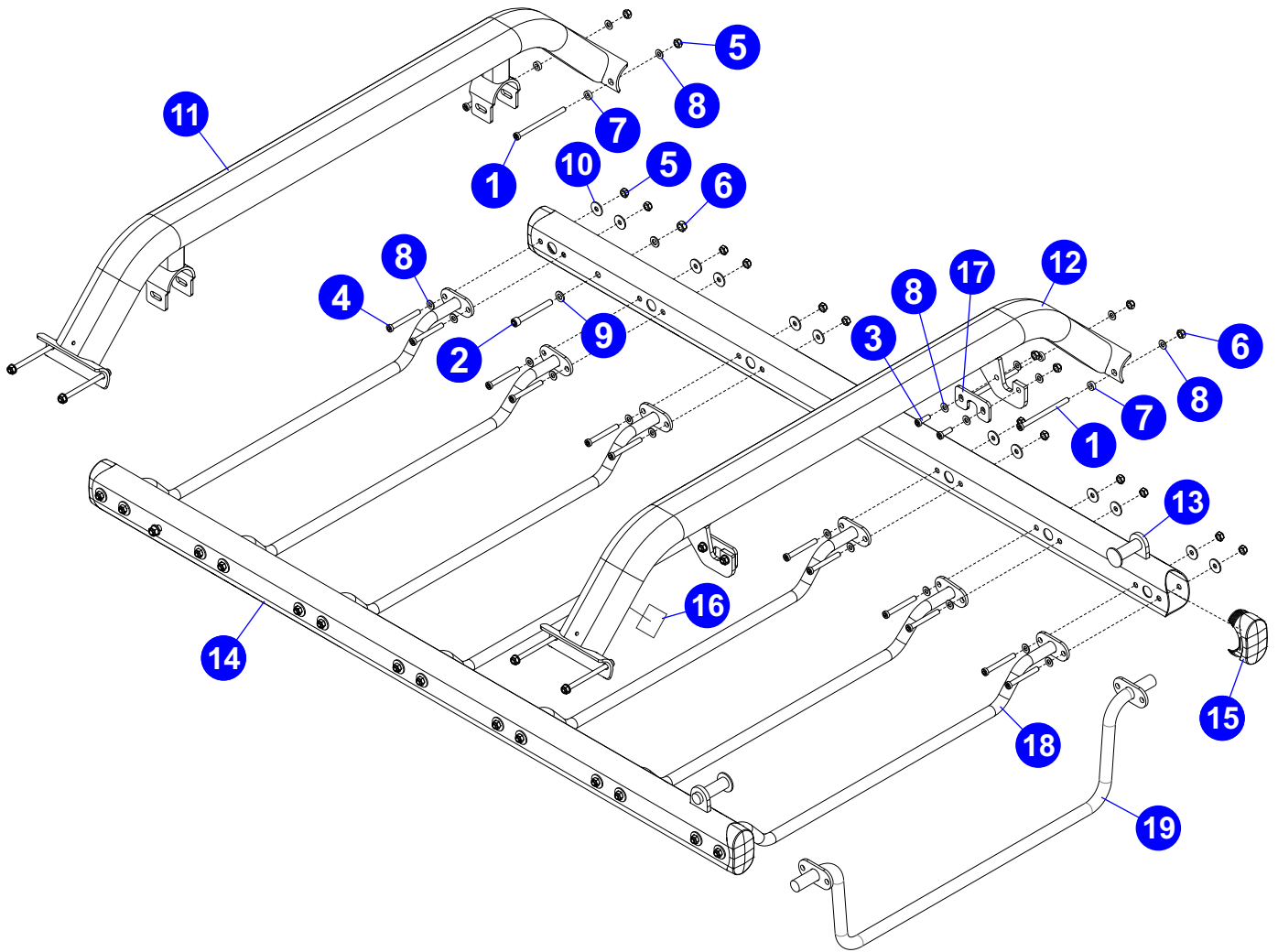


9168302  
One Peg



ITEM NO.	QTY.	PART NO.	DESCRIPTION
1	1/1	9167793	WLDMT, FXTT, PEG STORAGE, T, HWG
2	2/1	9509801	WLDMT, ACC RACK
3	4/2	7335401	NUT, M10 X 1.5 SOCKET HEAD
4	4/2	3236601	WASHER, 3/8 SAE SS
5	4/2	3236207	SCREW, M10 X1.5 50MM
6	6/3	9507101	CAP, CM ACC RACK
7	0/4	3237401	PLUG, 7/16" HOLE
8	0/3	3237403	PLUG, 1 IN HOLE

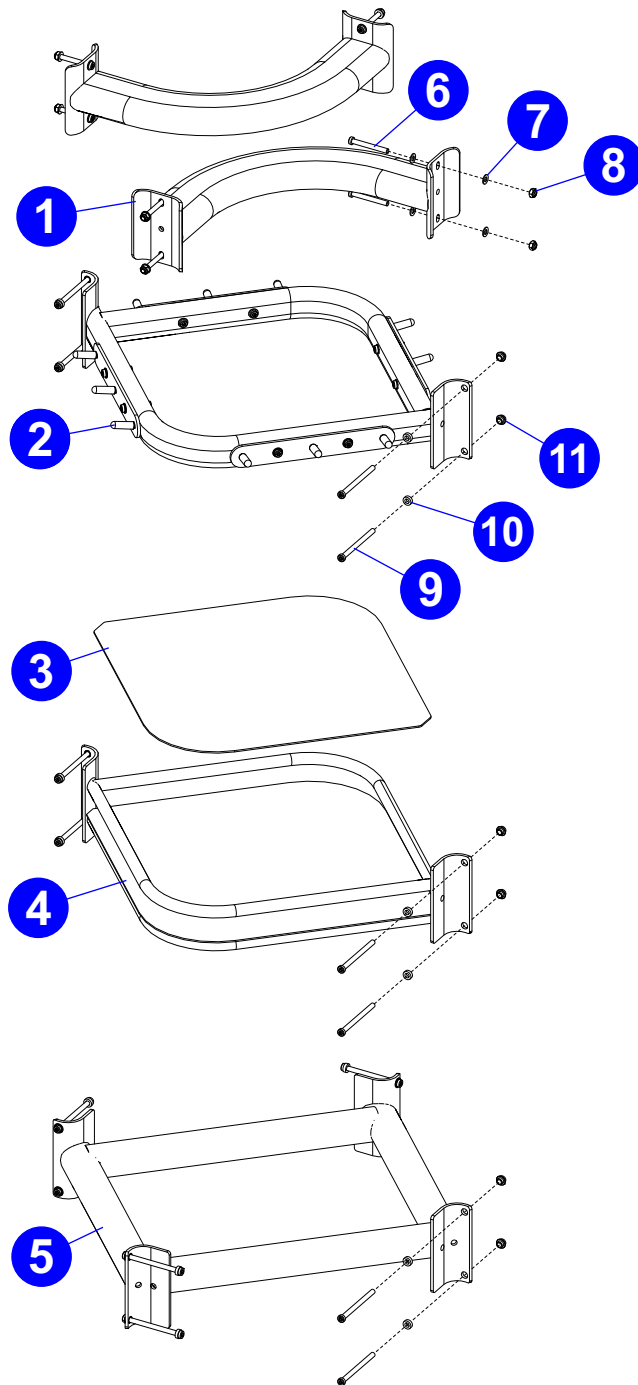
# XM Core



ITEM NO.	QTY.	PART NO.	DESCRIPTION
1	8	3236221	M10 X 1.5 X 140 SHCS, LOW HEAD
2	2	3241317	M12 X 1.75 X 100MM SHCS, STD HEAD
3	4	3236203	M10 X 1.5 X 30 SHCS, LOW HEAD
4	28	3236214	M10 X 1.5 X 85 SHCS, LOW HEAD
5	40	3236801	NUT, NYLOCK M10 X 1.5 SS
6	2	3236803	NUT, M12 X 1.75 HEX NYLOCK SS
7	8	7385201	SPACER, .406 X .750 X .250 SS
8	44	3236601	WASHER, 3/8 SAE STAINLESS STEEL
9	4	3241401	WASHER, FLAT 12MM SS
10	28	3236602	WASHER, 3/8 ID X 1.25 OD SS
11	1	9123400	WLDMT, FXTF, CORE, STIRRUP BOOM
12	1	9216200	WLDMT, FXTM, CORE, PLATE BOOM
13	1	9206400	WLDMT, FXTM, CORE PIN, RIGHT
14	1	9206500	WLDMT, FXTM, CORE PIN, LEFT
15	4	7333901	CAP, LARGE FLOV- END
16	1	-	LABEL, SERIAL NUMBER, BLANK
17	2	9216301	PLATE, FXTM CORE, LOCK
18	7	9103193	WLDMT, FXT, MONKEY BARRUNG, HWG
19	3	9182593	WLDMT, FXT, 9IN MONKEY BAR, HWG

# XS Components

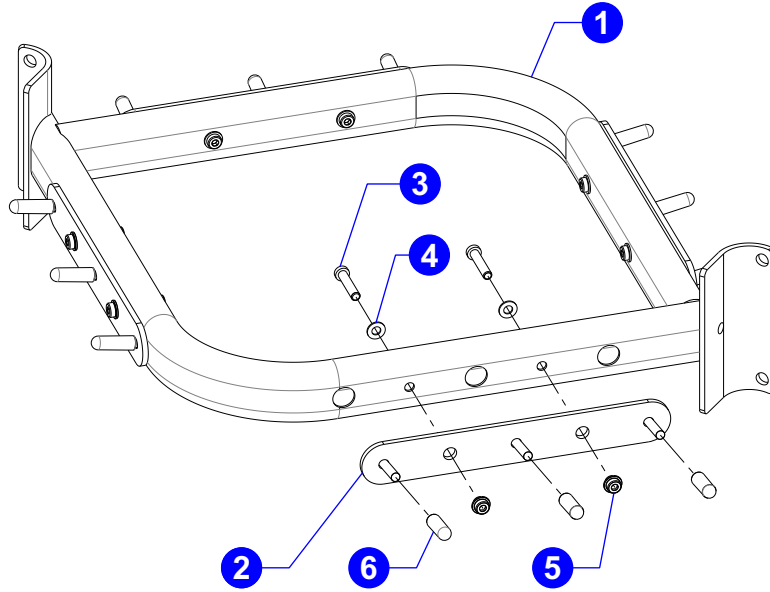
NOTE: ITEM #1 IS  
FRAME PAINTED



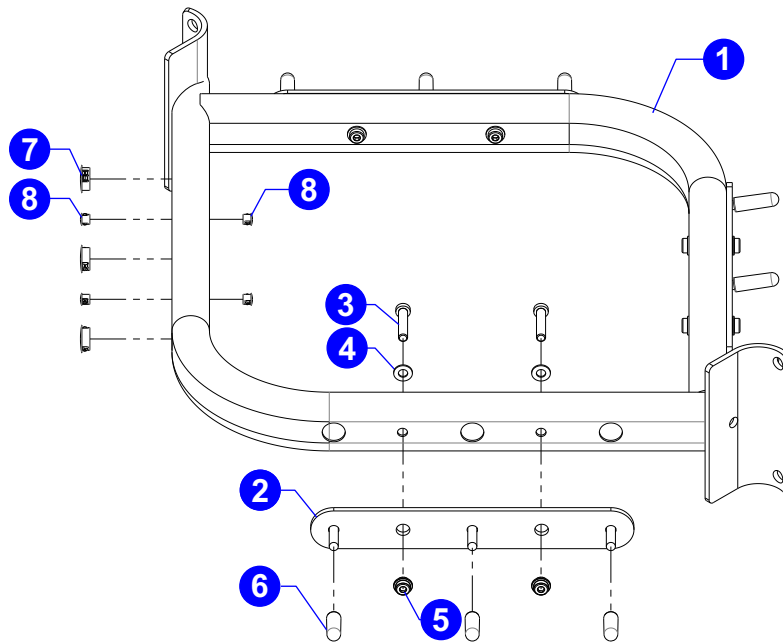
ITEM NO.	QTY.	PART NO.	DESCRIPTION
1	2	9001600	WLDMT, FXT, 90 DEG
2	1	SEE PAGE 23	ASSY, FXTX, PEG STORAGE
3	1	9188902	PAINT GUARD, FXTX, STORAGE
4	1	9181993	WLDMT, FXTX, STORAGE, HWG
5	1	9181601	WLDMT, FXTX, BATTLE ROPE, PLATED
6	8	3236214	M10 X 1.5 X 85 SHCS, LOW HEAD
7	16	3236601	WASHER, 3/8 SAE STAINLESS STEEL
8	8	3236804	NUT, M16 HEX NYLOCK SS
9	12	3236220	M10 X 1.5 X 130 SHCS, LOW HEAD
10	12	7385201	SPACER, 406 X .750 X .250 SS
11	12	7335401	NUT, SOCKET HEAD M10 X 1.5 SS

# XS Accessory Storage Assemblies

9182301  
Four Peg



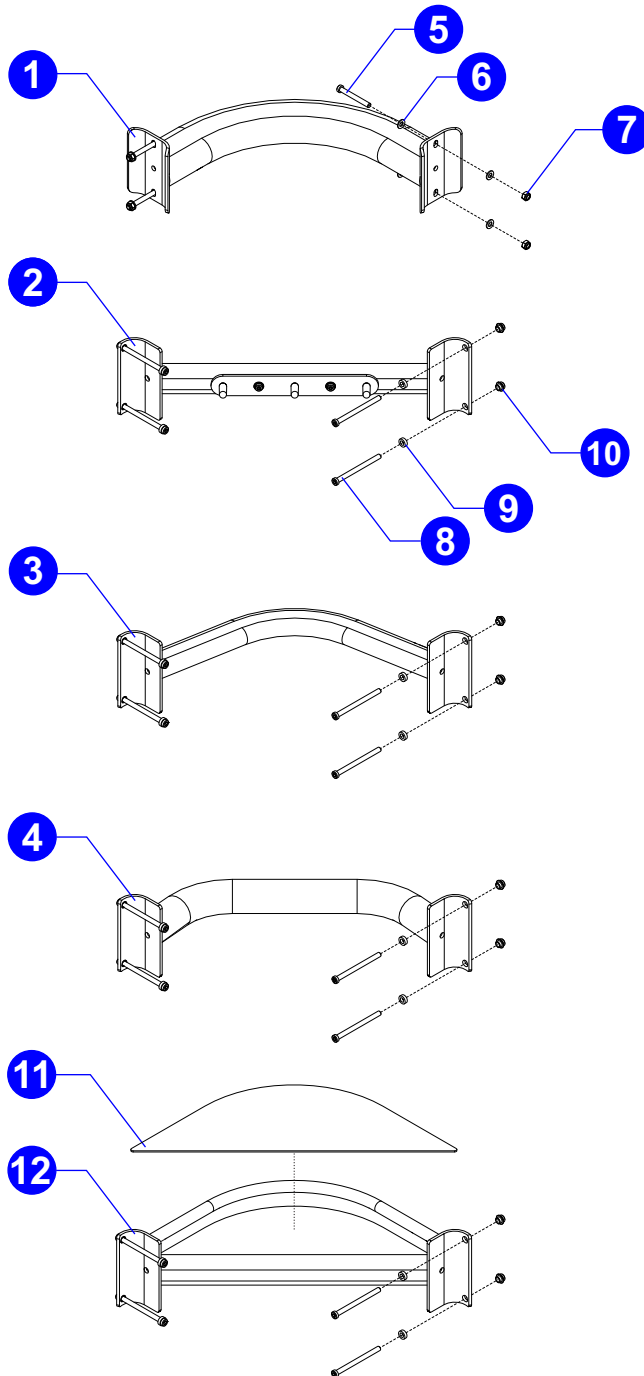
9182302  
Three Peg



ITEM NO.	QTY.	PART NO.	DESCRIPTION
1	1/1	9166393	WLDMT, FCTX, PEG STORAGE, HWG
2	4/3	9509801	WLDMT, ACC RACK
3	8/6	3236207	SCREW, M10 X1.5 50MM
4	8/6	3236601	WASHER, 3/8 SAE SS
5	8/6	7335401	NUT, M10 X 1.5 SOCKET HEAD
6	12/9	9507101	CAP, CM ACC RACK
7	0/3	3237403	PLUG, 1" HOLE
8	0/4	3237401	PLUG, 7/16" HOLE

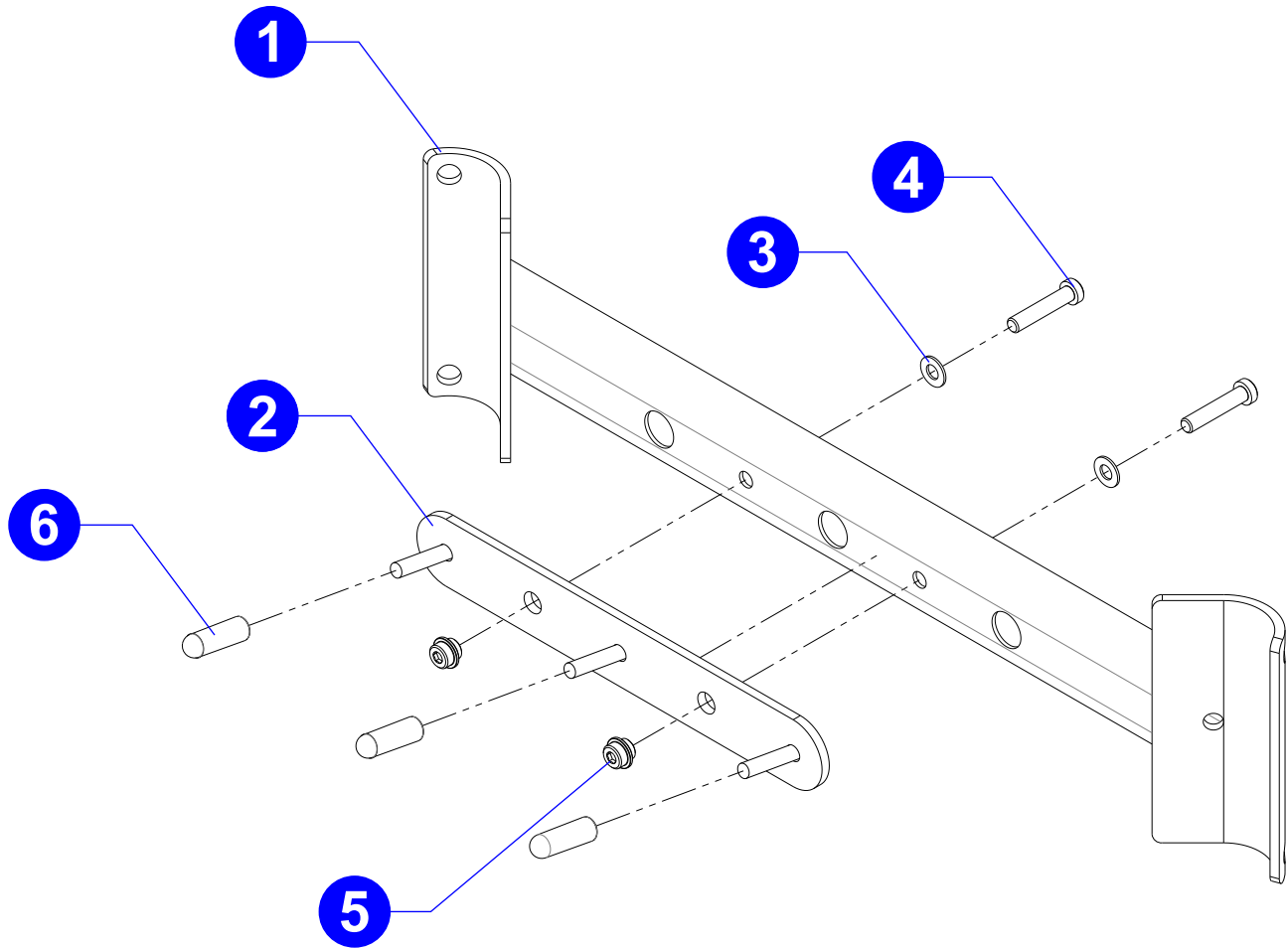
# XL Components

NOTE: ITEM #1 IS  
FRAME PAINTED



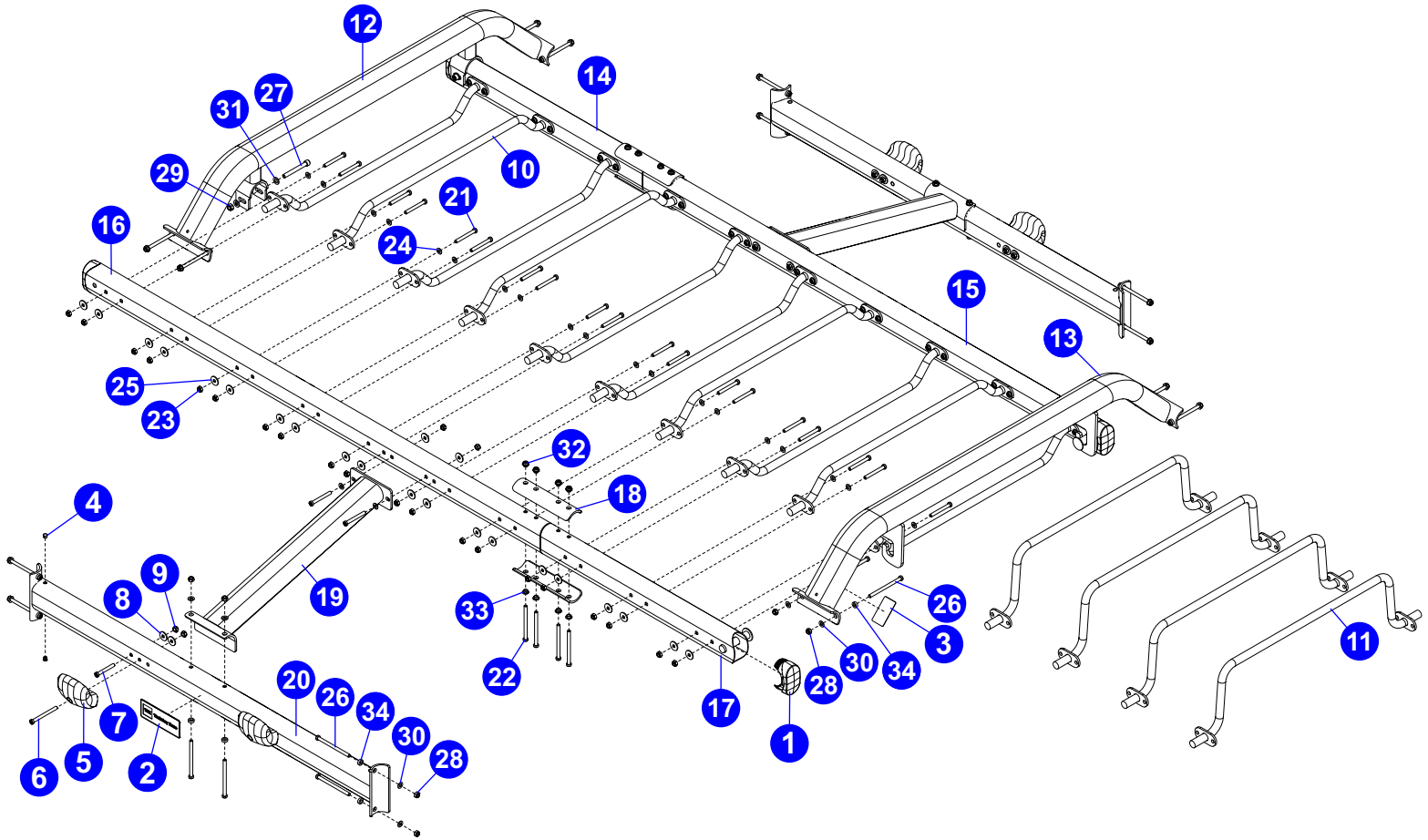
ITEM NO.	QTY.	PART NO.	DESCRIPTION
1	1	9001600	WLDMT, FXT, 90 DEG
2	1	9106401	ASSY, FXT, PEG STORAGE
3	1	9103593	WLDMT, FXT, BAND PEG, HWG
4	1	9055101	WLDMT, FXT, BATTLE ROPE, PLATED
5	4	3236214	M10 X 1.5 X 85 SHCS, LOW HEAD
6	8	3236601	WASHER, 3/8 SAE STAINLESS STEEL
7	4	3236804	NUT, M16 HEX NYLOCK SS
8	12	3236220	M10 X 1.5 X 130 SHCS, LOW HEAD
9	12	7385201	SPACER, .406 X .750 X .250 SS
10	12	7335401	NUT, SOCKET HEAD M10 X 1.5 SS
11	1	9009093	WLDMT, FXT, STORAGE, CORNER, HWG
12	1	9055501	PAINT GUARD, FXT, CORNER

# XL Peg Storage



ITEM NO.	QTY.	PART NO.	DESCRIPTION
1	1	9106593	WLDMT, FXT, PEG STORAGE
2	1	9509801	WLDMT, ACC RACK
3	2	3236601	WASHER, 3/8 SAE SS
4	2	3236207	SCREW, M10 X1.5 50MM
5	2	7335401	NUT, M10 X 1.5 SOCKET HEAD
6	3	9507101	CAP, CM ACC RACK

# XL Core



ITEM NO.	QTY.	PART NO.	DESCRIPTION
1	4	7333901	CAP, LARGE FLOV-END, SHDW
2	2	9137901	LABEL, TRX, SMALL
3	3	-	LABEL, SERIAL NUMBER
4	12	3237401	PLUG, 7/16" HOLE
5	4	9218801	ROCK, FXT, ROCK CHIN UP
6	4	3236218	M10 X 1.5 110 SHCS, LOW HEAD
7	4	3236212	M10 X 1.5 X 75 SHCS, LOW HEAD
8	8	3236602	WASHER, 3/8 ID X 1.25 OD SS
9	8	3236801	NUT, NYLOCK M10 X 1.5 SS
10	5	9103193	WLDMT, FXT, MONKEY BARRUNG, HWG
11	2	9182593	WLDMT, FXT, 9IN MONKEY BAR, HWG
12	1	9123400	WLDMT, FXTF CORE, STIRRUP BOOM
13	1	9122200	WLDMT, FXTF, CORE, PLATE BOOM
14	1	9098801	TUBE, FXT, 2.50 X 4.49 FLOV X 39.96
15	1	9123800	WLDMT, FXTF, CORE, PIN
16	1	9123901	TUBE, FXT, 2.50 X 4.49 FLOV X 81.43
17	1	9125700	WLDMT, FXTF, CORE, PIN, SHORT

ITEM NO.	QTY.	PART NO.	DESCRIPTION
18	4	9013701	BRKT, FXT, MONKEY BAR CONNECTOR
19	2	9122800	WLDMT, FXTF, CORE, SUPPORT
20	2	9003500	WLDMT, FXTF, CORE, CROSS BRACE
21	44	3236214	M10 X 1.5 X 85 SHCS, LOW HEAD
22	8	3236220	M10 X 1.5 X 130 SHCS, LOW HEAD
23	44	3236801	NUT, NYLOCK M10 X 1.5 SS
24	44	3236601	WASHER, 3/8 SAE STAINLESS STEEL
25	44	3236602	WASHER, 3/8 ID X 1.25 OD SS
26	20	3236221	M10 X 1.5 X 140 SHCS, LOW HEAD
27	2	3241317	M12 X 1.75 X 100MM SHCS, STD HEAD
28	20	3236801	NUT, NYLOCK M10 X 1.5 SS
29	2	3236803	NUT, M12 X 1.75 HEX NYLOCK SS
30	20	3236601	WASHER, 3/8 SAE STAINLESS STEEL
31	4	3241401	WASHER, FLAT 12MM SS
32	8	7335401	NUT, SOCKET HEAD M10 X 1.5 SS
33	8	7630101	RETAINER, CM/MJ, PULLEY
34	20	7385201	SPACER, .406 X .750 X .250 SS

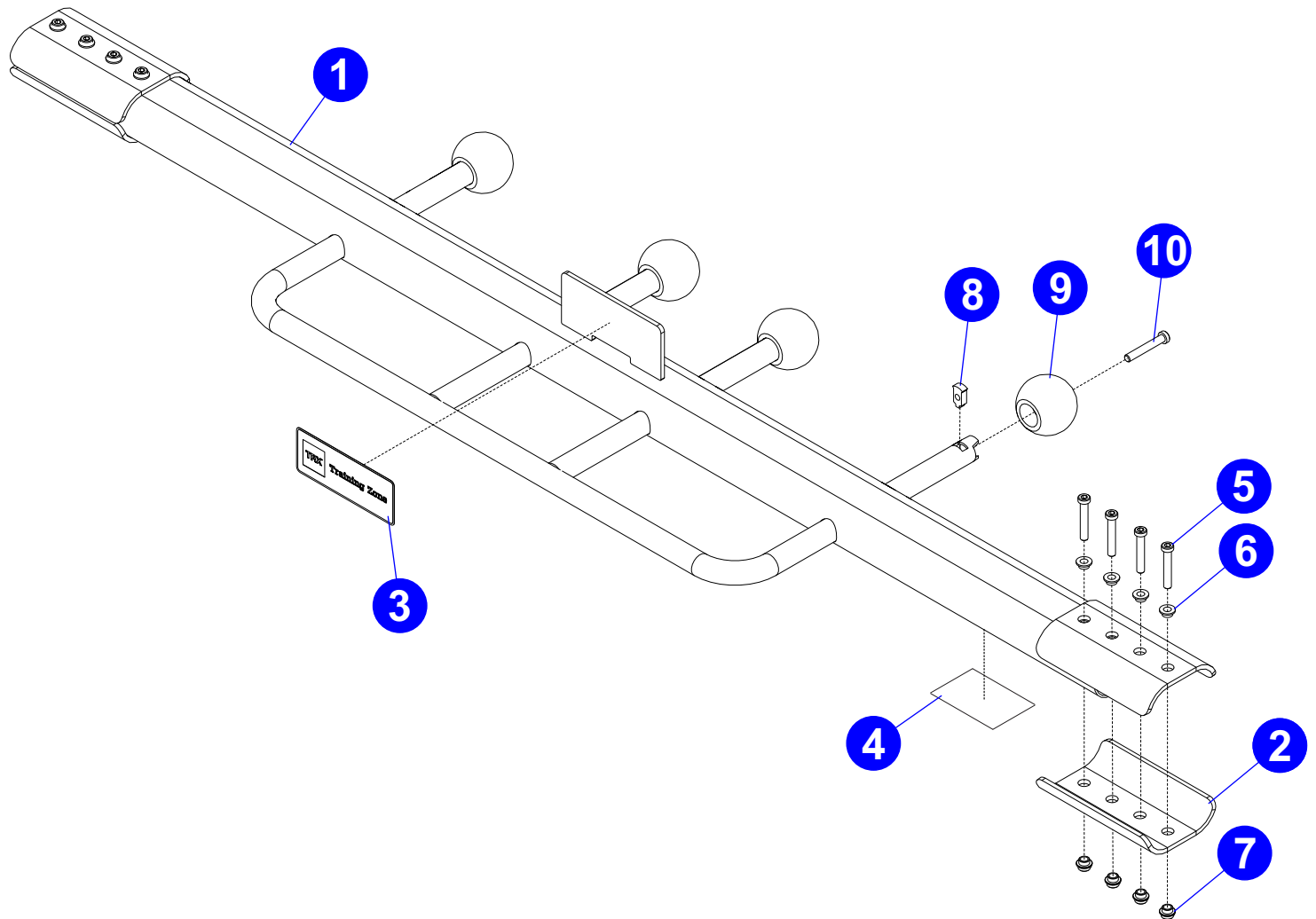
# QR Codes Sheet

1



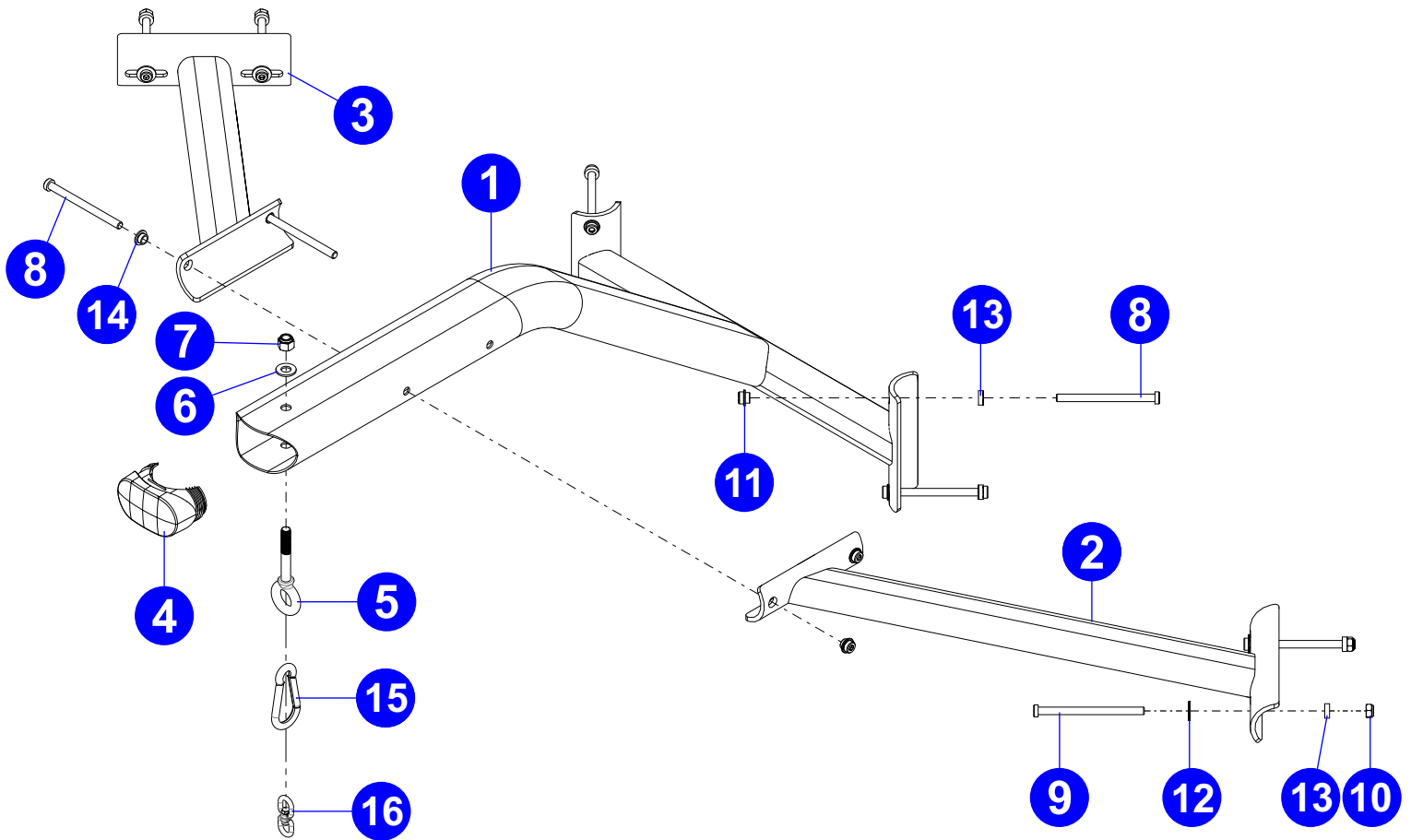
ITEM NO.	QTY.	PART NO.	DESCRIPTION
1	1	9585801	KIT, FXT, QRCODES

# Options - Cable Crossover Connection



ITEM NO.	QTY.	PART NO.	DESCRIPTION
1	1	9221793	WLDMT, FXT, CROSSOVER, SHORT, HWG
		9221993	WLDMT, FXT, CROSSOVER, MEDIUM, HWG
		9222193	WLDMT, FXT, CROSSOVER, LONG, HWG
2	2	7633293	BRKT, MJ LRG OVAL, HWG
3	2	9137901	LABEL, TRX, SMALL
4	1	-	LABEL, SERIAL NUMBER, BLANK
5	8	3236213	M10 X 1.5 X 80 SHCS, LOW HEAD
6	8	7630101	RETAINER, CM/MJ, PULLEY
7	8	7335401	NUT, SOCKET HEAD M10 X 1.5 SS
8	4	1002138-0001	THREADED INSERT, 1.25IN OD TUBE
9	4	1002132-0001	ROCK GRIP, FXT, 3.125IN BALL
10	4	3236210	M10 X 1.5 X 65 SHCS, LOW HEAD

# Options - Boxing Connector

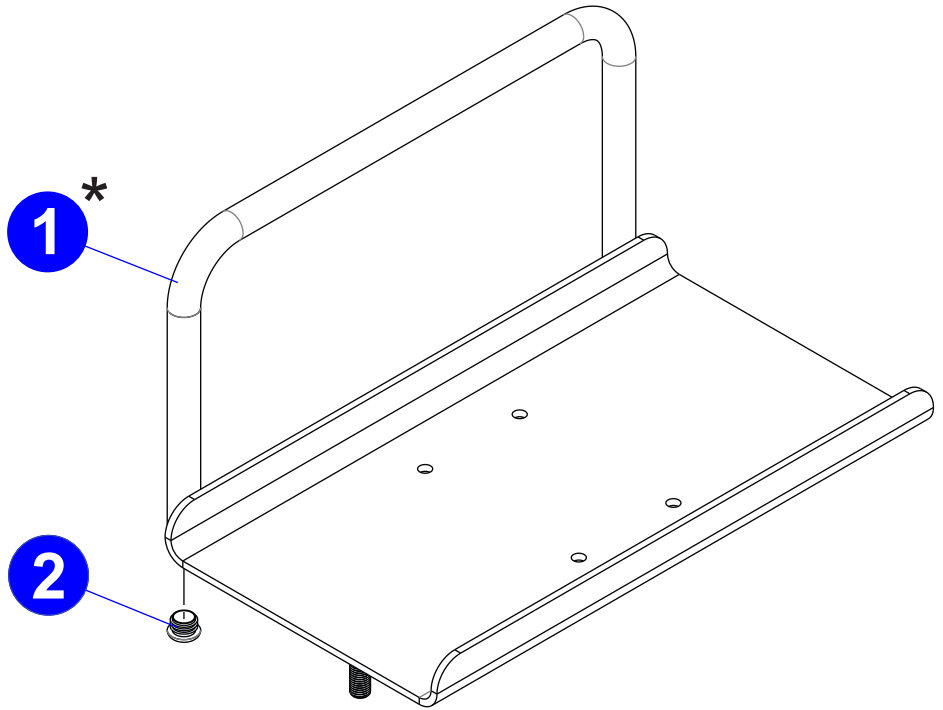


ITEM NO.	QTY.	PART NO.	DESCRIPTION
1	1	9152993	WLDMT, FXT, PUNCHING CENTER, HWG
2	1	9153193	WLDMT, FXT, PUNCHING RIGHT, HWG
3	1	9153393	WLDMT, FXT, PUNCHING LEFT, HWG
4	1	7333901	CAP, LARGE FLOV-END
5*	1	9120901	EYE BOLT, FXT, PUNCHING BAG
6	1	3102507	WSH, FLAT 1/2 ID SAE ZN
7	1	3102801	NUT, NYLOCK 1/2-13
8	6	3236220	M10 X 1.5 X 130 SHCS, LOW HEAD
9	4	3236221	M10 X 1.5 X 140 SHCS, LOW HEAD
10	4	3236801	NUT, NYLOCK M10 X 1.5 SS
11	6	7335401	NUT, SOCKET HEAD M10 X 1.5 SS
12	4	3273303	WASHER, 3/8, THRU-HARDENED
13	8	7385201	SPACER, .406 X .750 X .250 SS
14	2	7630101	RETAINER, CM/MJ, PULLEY
15*	1	3250201	SNAP LINK, 3/8" DIA
16*	1	9569701	SWIVEL, FXT, BOXING

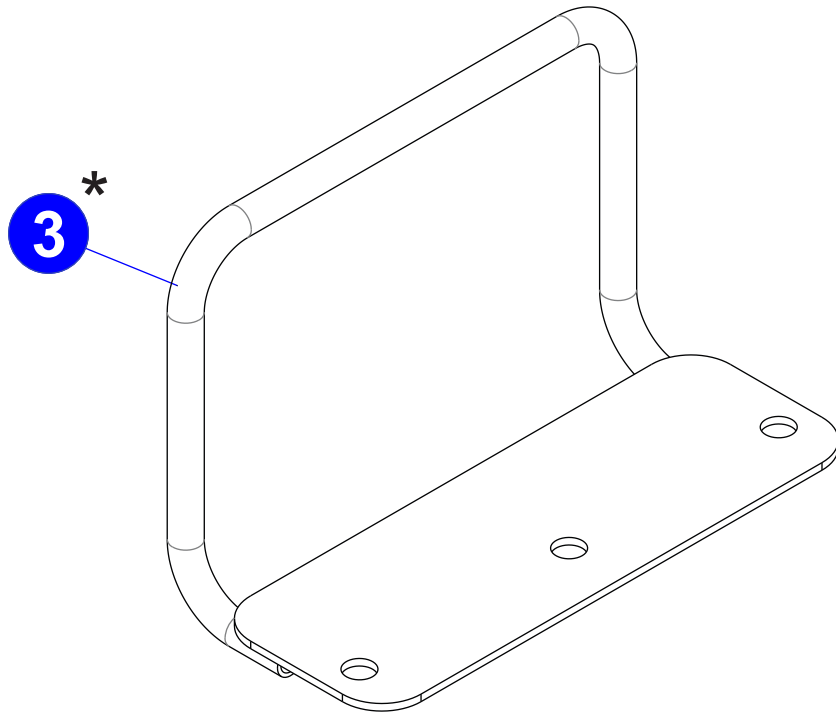
**\*IF REPLACING ITEMS #5, #15, OR, #16, PLEASE INSPECT TO INSURE ALL 3 ITEMS ARE PROPERLY INSTALLED AND DO NOT SHOW SIGNS OF WEAR**

# Options - Boxing Storage

Version 1



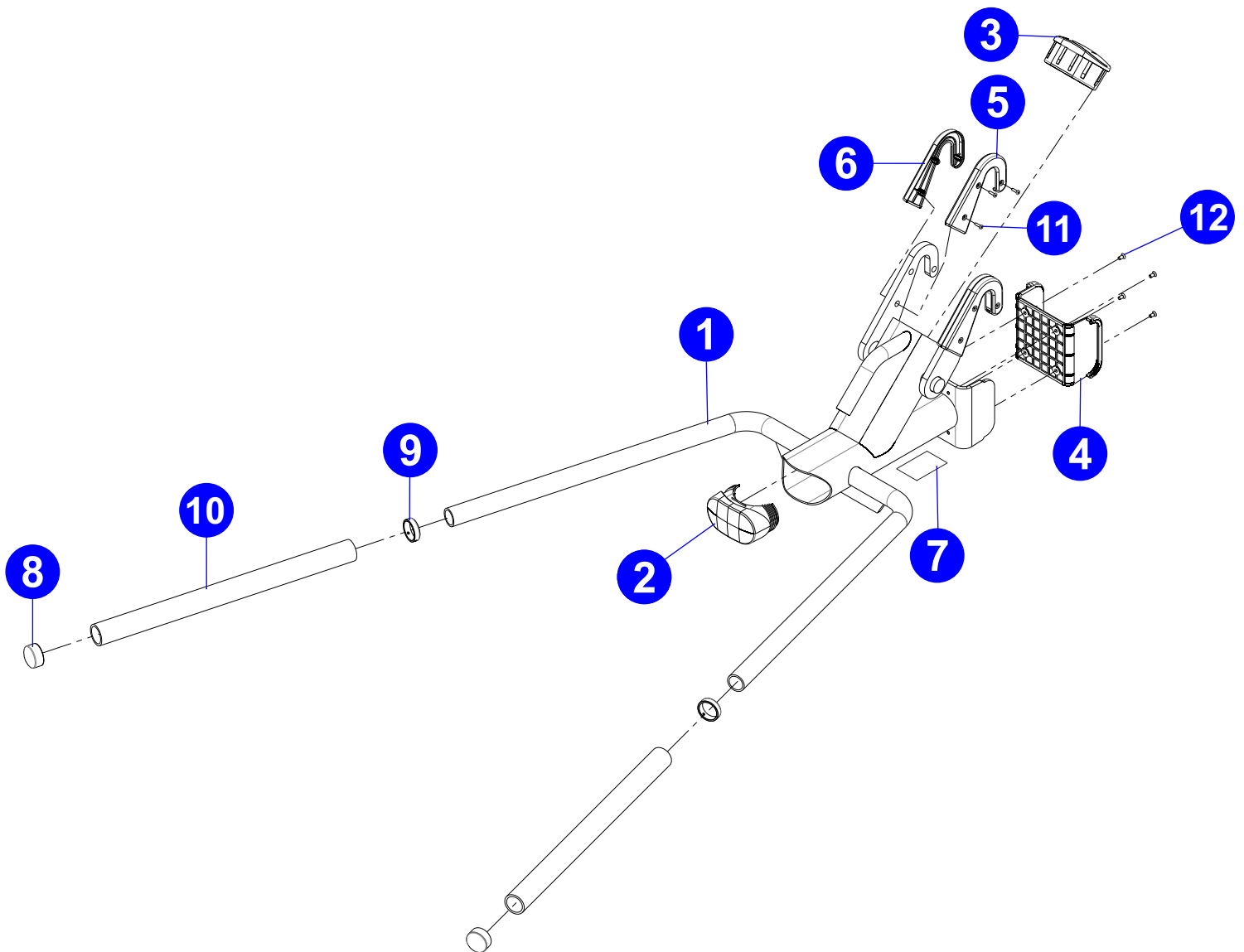
Version 2



\* See KB article *Life Fitness Synrgy90, Synrgy360 Accessory Tray Design Changes* for more details

ITEM NO.	QTY.	PART NO.	DESCRIPTION
1	1	9193493	WLDMT, FXT, STORAGE, UNIVERSAL -HWG
2	2	3119304	CAP, END 1.00 DIA RD 10-12 GA
3	1	1005258-0093	WLDMT, PUNCHING GUARD -HWG

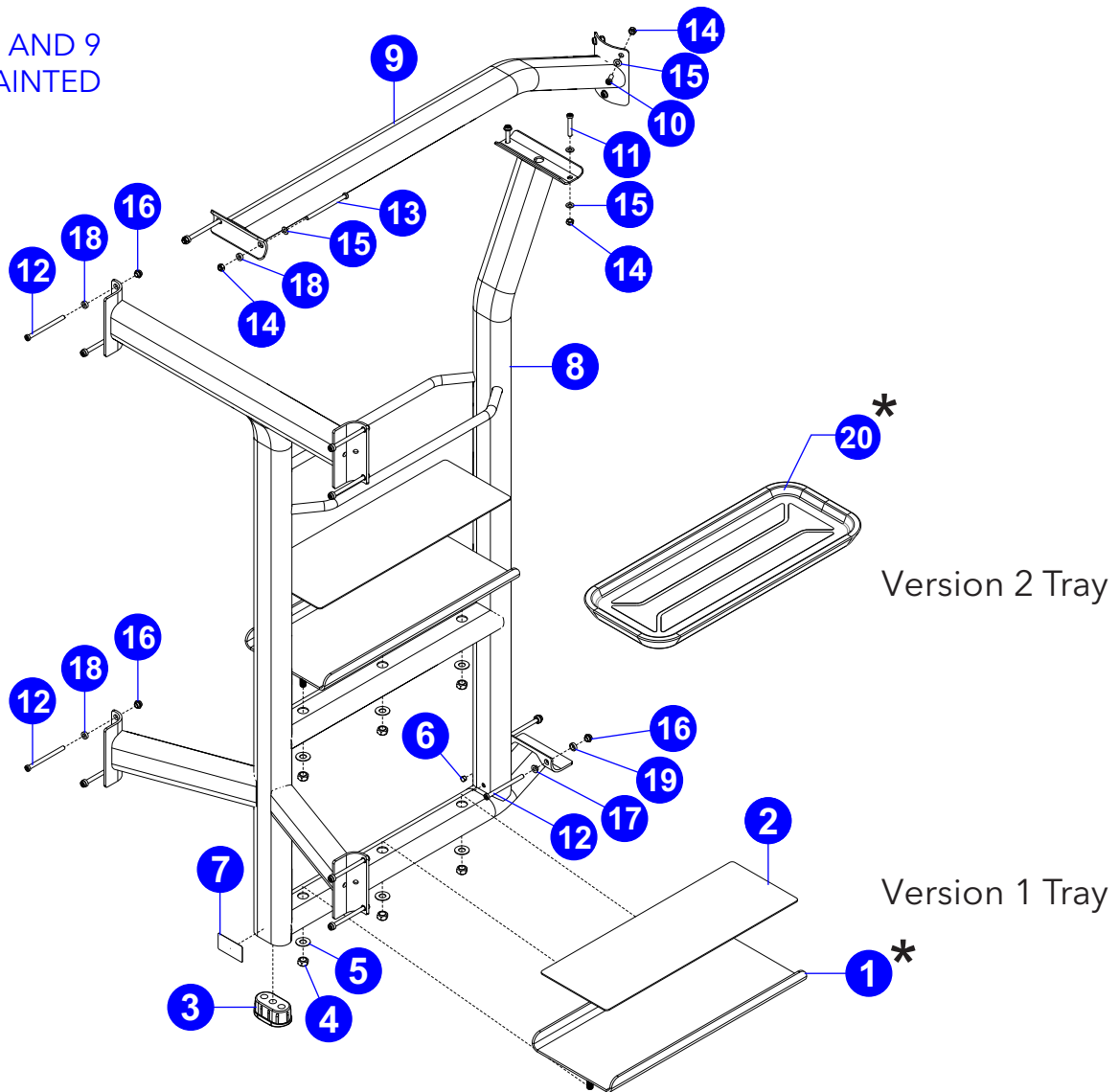
# Options - Dip



ITEM NO.	QTY.	PART NO.	DESCRIPTION
1	1	9015193	WLDMT, FXT, DIP HWG
2	1	7333901	CAP, LARGE FLOV- END
3	1	7800401	CAP, LRG FLOV END
4	1	9123001	COVER, FXT BRACKET
5	2	9123201	COVER, FXT HOOK
6	2	9123301	COVER, FXT HOOK W/BOSS
7	1	-	LABEL, SERIAL NUMBER, BLANK
8	2	8259401	CAP, GRIP 1.50 OD X 1.27 ID
9	2	8259501	RING, GRIP 1.52 OD X 1.30 ID
10	2	3235803	GRIP, 1.50 OD X .14 WALL OPEN END
11	6	3226003	SCREW, 6-20 X 8 PHL PAN PLT BZ
12	4	3260903	SCREW, M5X.8X10 PHL FLT MS ST BZ

# Options - MJ Storage Connector

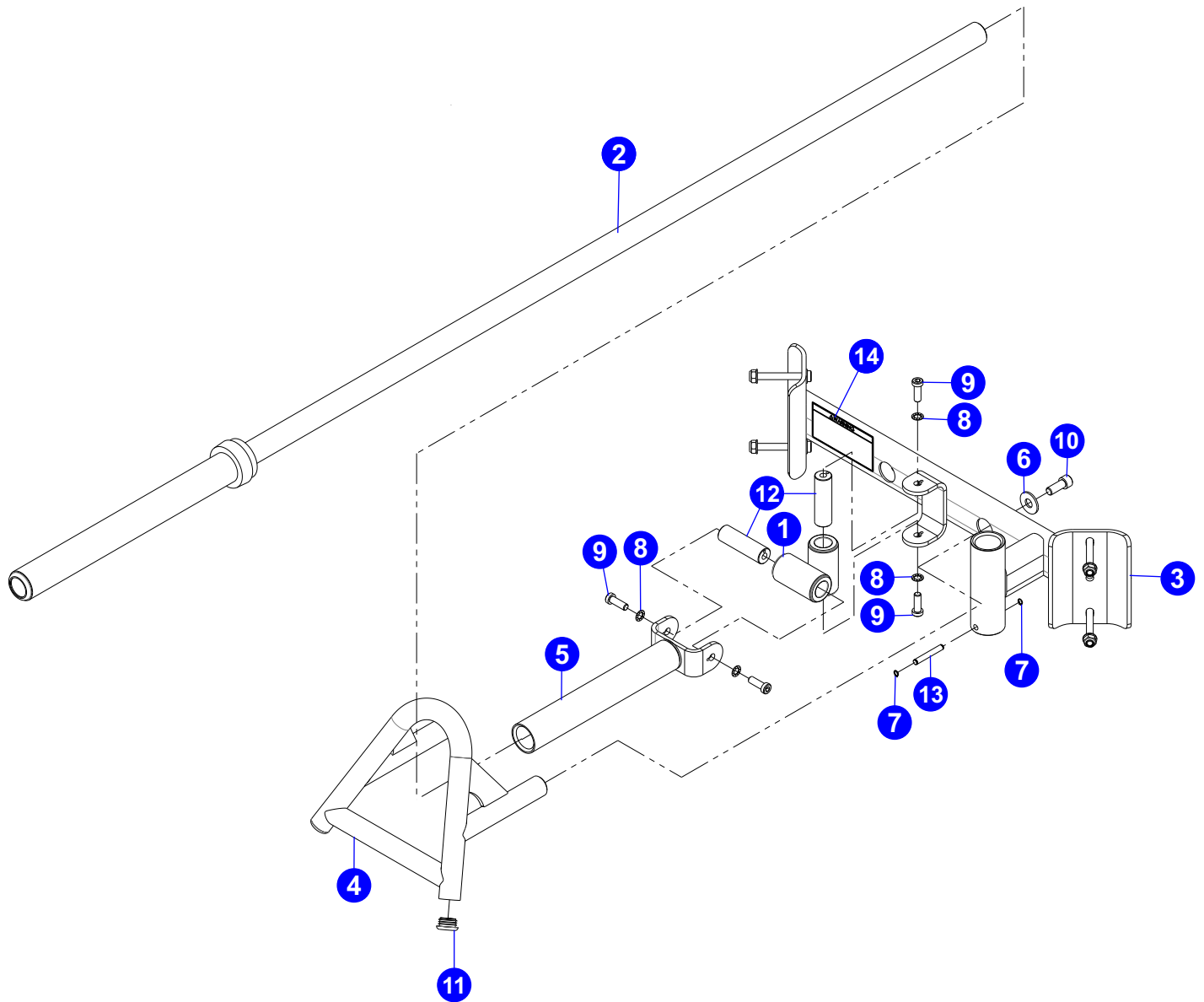
NOTE: ITEM #8 AND 9  
ARE FRAME PAINTED



\*See KB article *Life Fitness Synergy90, Synergy360 Accessory Tray Design Changes* for more details

ITEM NO.	QTY.	PART NO.	DESCRIPTION
1	2	9560193	WLDMT, FXT, STORAGE, UNIVERSAL HWG
2	2	9572601	PAINT GUARD, FXT, LONG
3	1	7800401	CAP, LRG FLOV END
4	6	3236804	NUT, M16 HEX NYLOCK SS
5	6	3236603	WASHER, 11/16 SAE SS
6	1	3237401	PLUG, 7/16" HOLE
7	1	7571301	LABEL, SERIAL NUMBER, BLANK
8	1	9559200	WLDMT, FXTT-MJ, FRAME
9	1	9549400	WLDMT, FXTT-MJ, TOP
10	3	3236202	M10 X 1.5 X 25 SHCS, LOW HEAD
11	2	3236209	M10 X 1.5 X 60 SHCS, LOW HEAD
12	10	3236220	M10 X 1.5 X 130 SHCS, LOW HEAD
13	2	3236221	M10 X 1.5 X 140 SHCS, LOW HEAD
14	7	3236801	NUT, NYLOCK M10 X 1.5 SS
15	9	3236601	WASHER, 3/8 SAE STAINLESS STEEL
16	10	7335401	NUT, SOCKET HEAD M10 X 1.5 SS
17	2	7630101	RETAINER, CM/MJ, PULLEY
18	10	7385201	SPACER, .406 X .750 X .250 SS
19	2	7634701	SPACER, CM/MJ, .565 X .815
20	2	1005026-0002	TRAY, 11.5 X 28.5, OVERMOLD -BLK

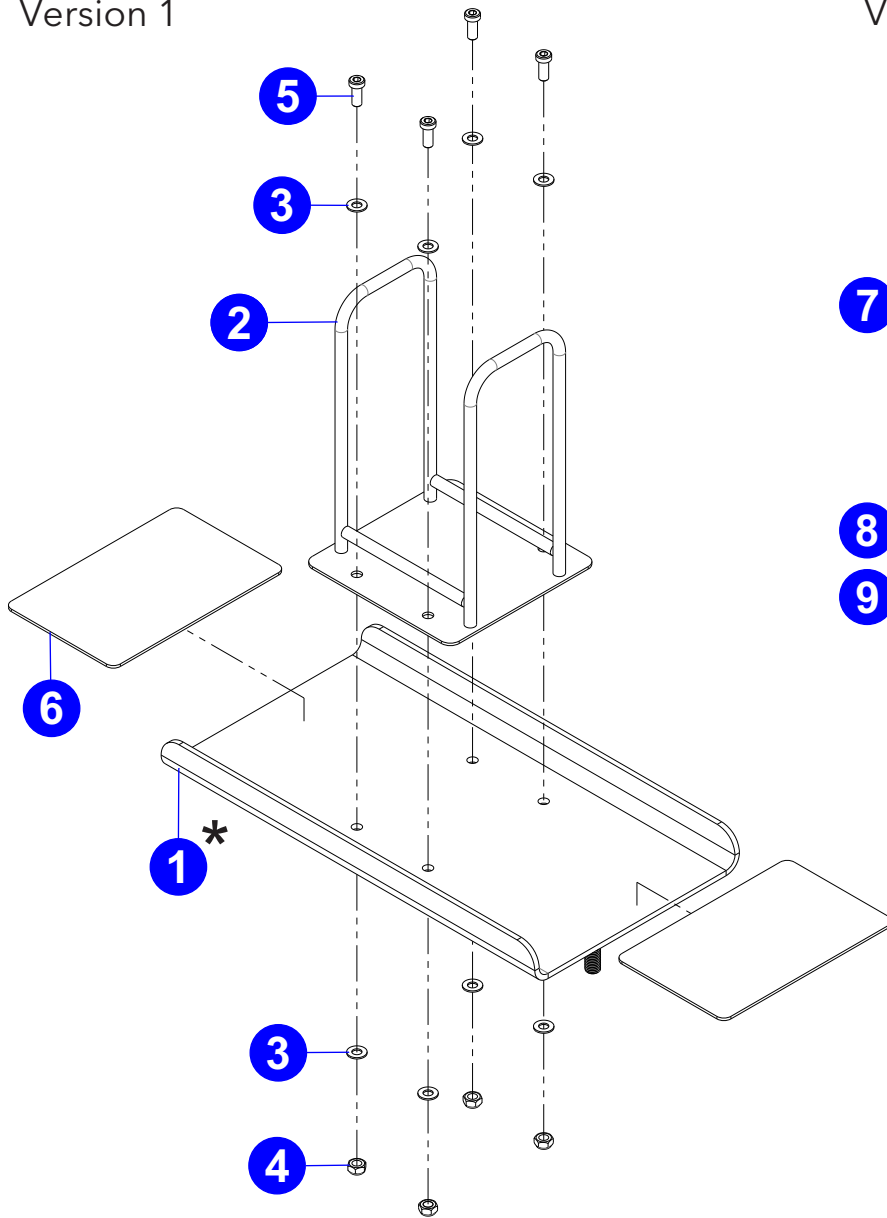
# Options - Power Pivot



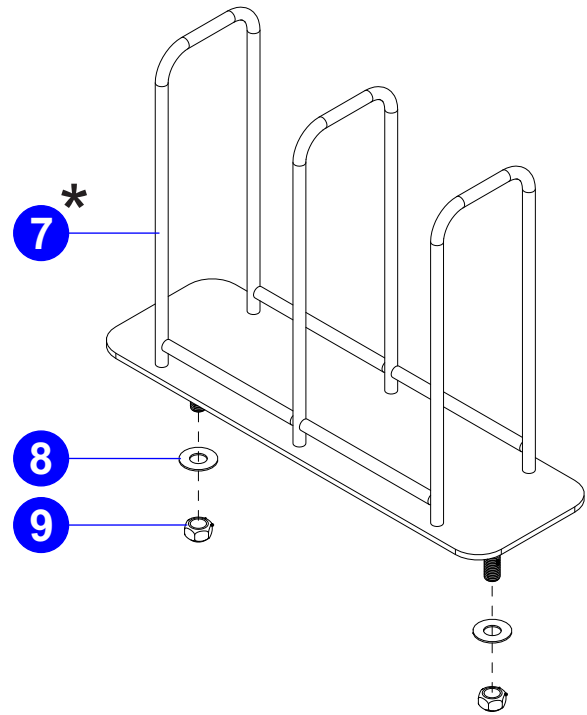
ITEM NO.	QTY.	PART NO.	DESCRIPTION
1	1	9224401	ASSY, FXT, POWER PIVOT KNUCKLE
2	1	9224501	ASSY, FXT, POWER PIVOT BAR
3	1	9219493	WLDMT, FXT, POWER PIVOT FRAME -HWG
4	1	9219515	WLDMT, FXT, POWER PIVOT GUARD -YEL
5	1	9219701	WLDMT, FXT, POWER PIVOT WA
6	2	3102502	WASHER, TYPE A PLAIN ZN
7	2	3232403	RING, RETAINING, EXTERNAL
8	4	3239503	WSH, .375 IN-D ST ZN
9	4	3236203	SCREW, M10 X1.5 30MM
10	2	3241303	SCREW, M12 X1.75 30MM
11	2	3119303	CAP, END 1.25 DIA RD 10-14 GA
12	2	7324901	SHAFT, TAPPED 1 DIA X 3.330
13	1	8047801	SHAFT, MJHAR BAR HOLDER
14	1	9226601	LABEL, FXT, POWER PIVOT, WARNING SHEET

# Options - Power Pivot Shelf

Version 1



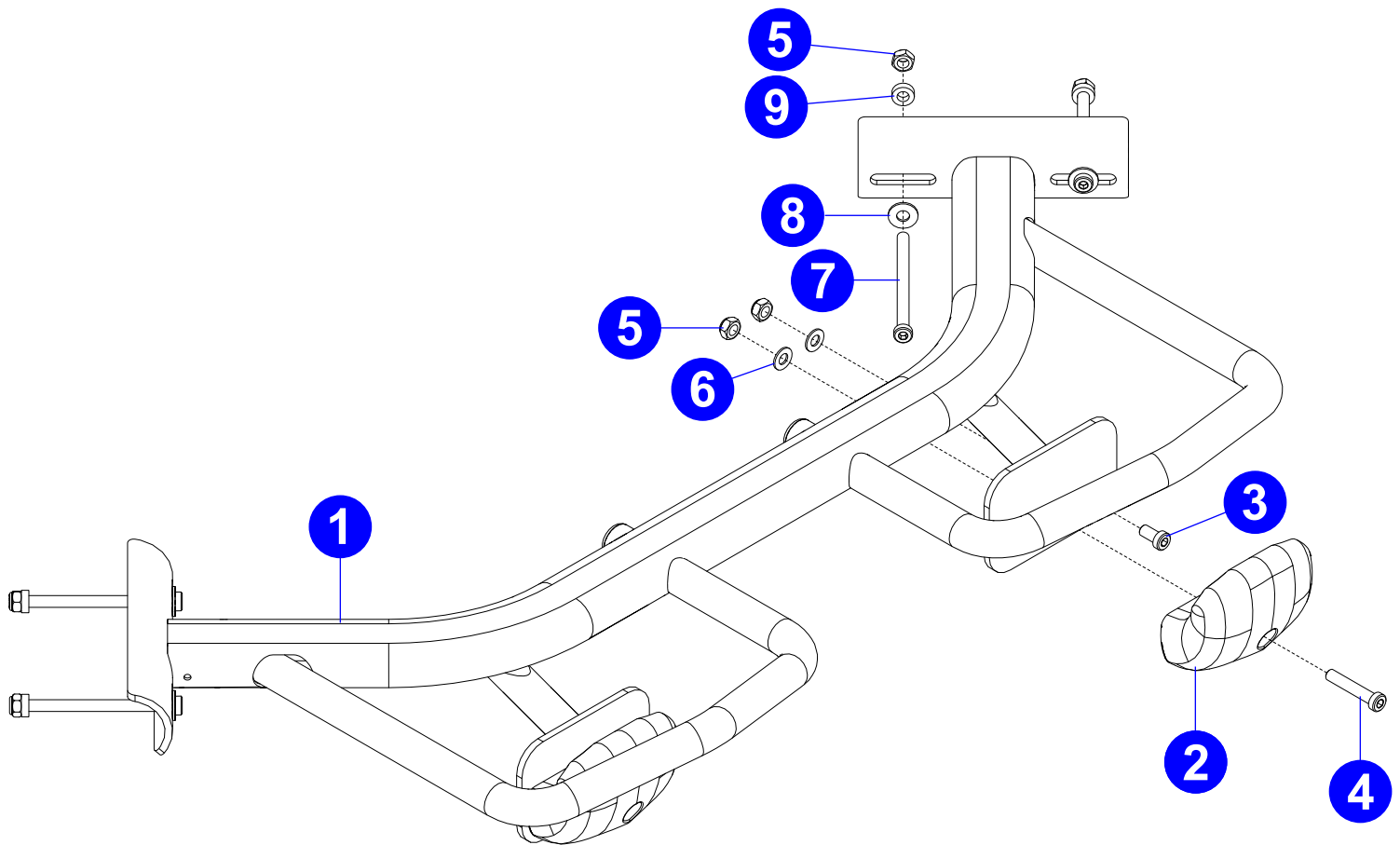
Version 2



\* See KB article *Life Fitness Synergy90, Synergy360 Accessory Tray Design Changes* for more details

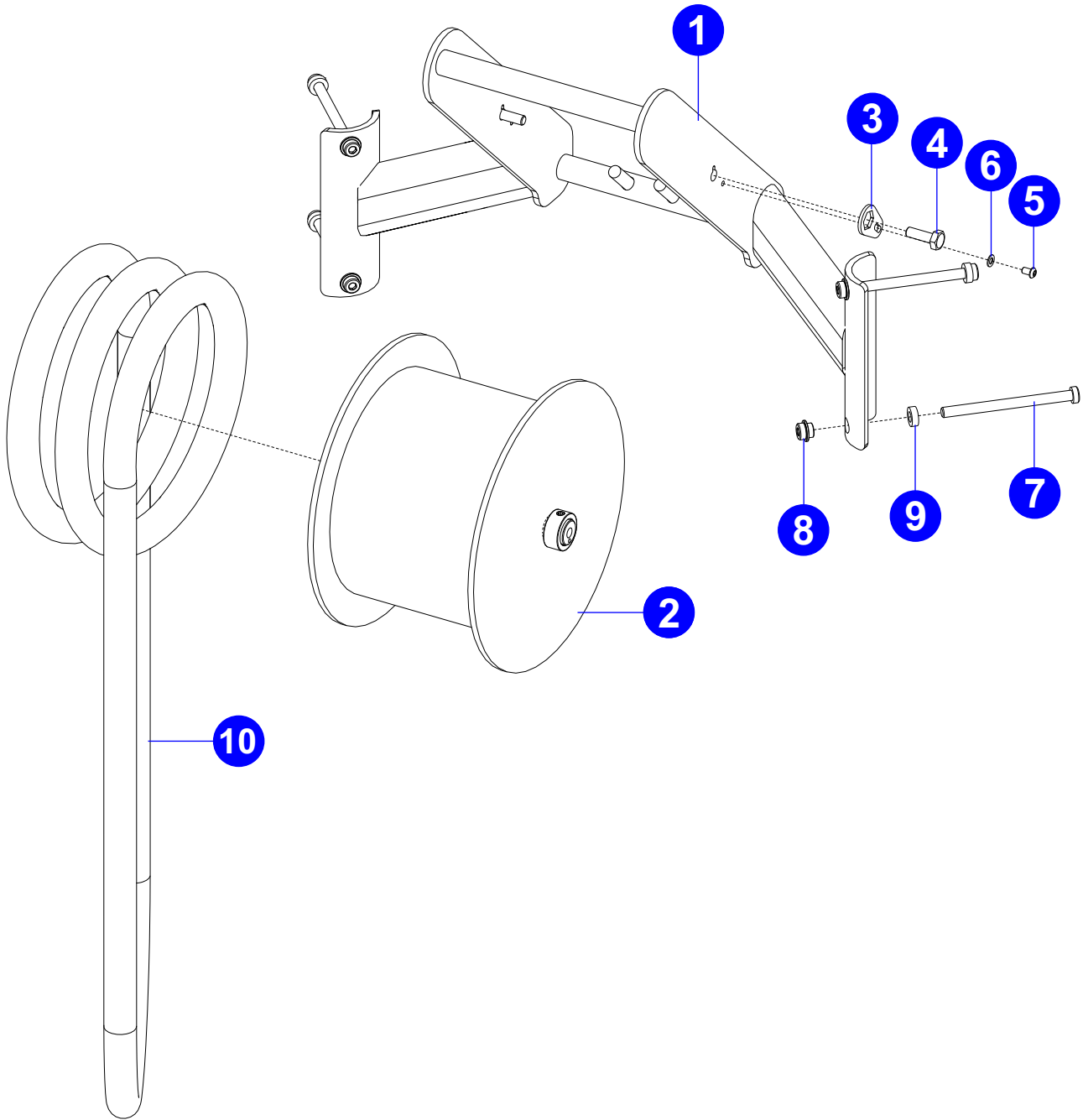
ITEM NO.	QTY.	PART NO.	DESCRIPTION
1	1	9103993	WLDMT, FXT, STORAGE, UNIVERSAL HWG
2	1	9223693	WLDMT, FXT, POWER PIVOT SHELF -HWG
3	8	3236601	WASHER, 3/8 SAE SS
4	4	3236801	NUT, M10 HEX NYLOCK SS
5	4	3236202	SCREW, M10 X1.5 25MM
6	2	9224201	PAINT GUARD, FXT, POWER PIVOT SHELF
7	1	1012399-0093	WLDMT: FXT, POWER PIVOT PLATE STORAGE, HWG
8	2	3236603	WASHER, 11/16 ID X 1.5 OD SS
9	2	3236804	NUT, M16 HEX NYLOCK SS

# Options - Rock Grip Chin



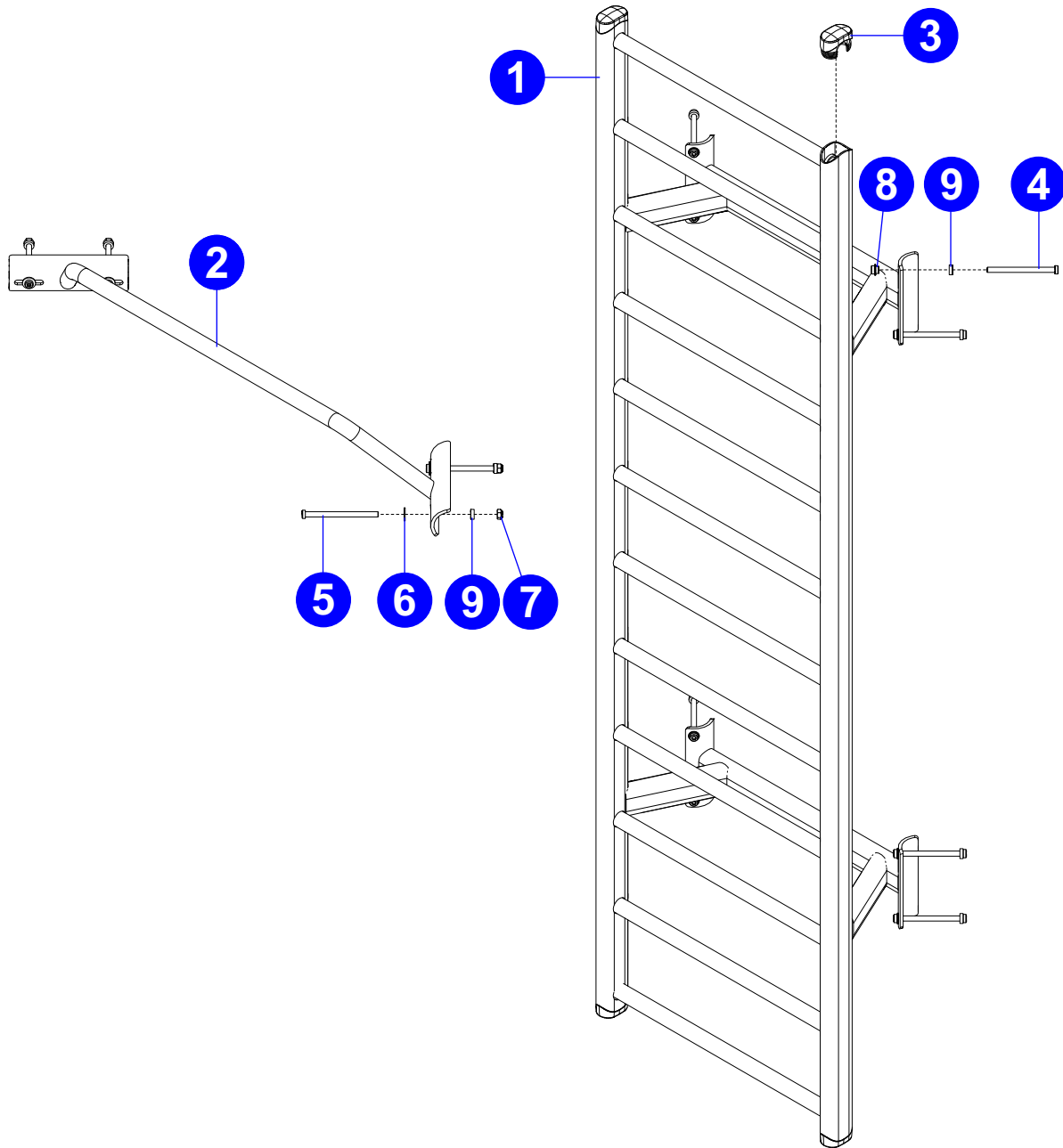
ITEM NO.	QTY.	PART NO.	DESCRIPTION
1	1	9217993	WLDMT, FXT, ROCK CHIN UP, HWG
2	2	9218801	ROCK, FXT, ROCK CHIN UP
3	2	3236201	M10 X 1.5 X 20 SHCS, LOW HEAD
4	2	3236212	M10 X 1.5 X 75 SHCS, LOW HEAD
5	8	3236801	NUT, NYLOCK M10 X 1.5 SS
6	4	3236601	WASHER, 3/8 SAE STAINLESS STEEL
7	4	3236221	M10 X 1.5 X 140 SHCS, LOW HEAD
8	4	3273303	WASHER, 3/8, THRU-HARDENED
9	4	7385201	SPACER, .406 X .750 X .250 SS

# Options - Rope Pull



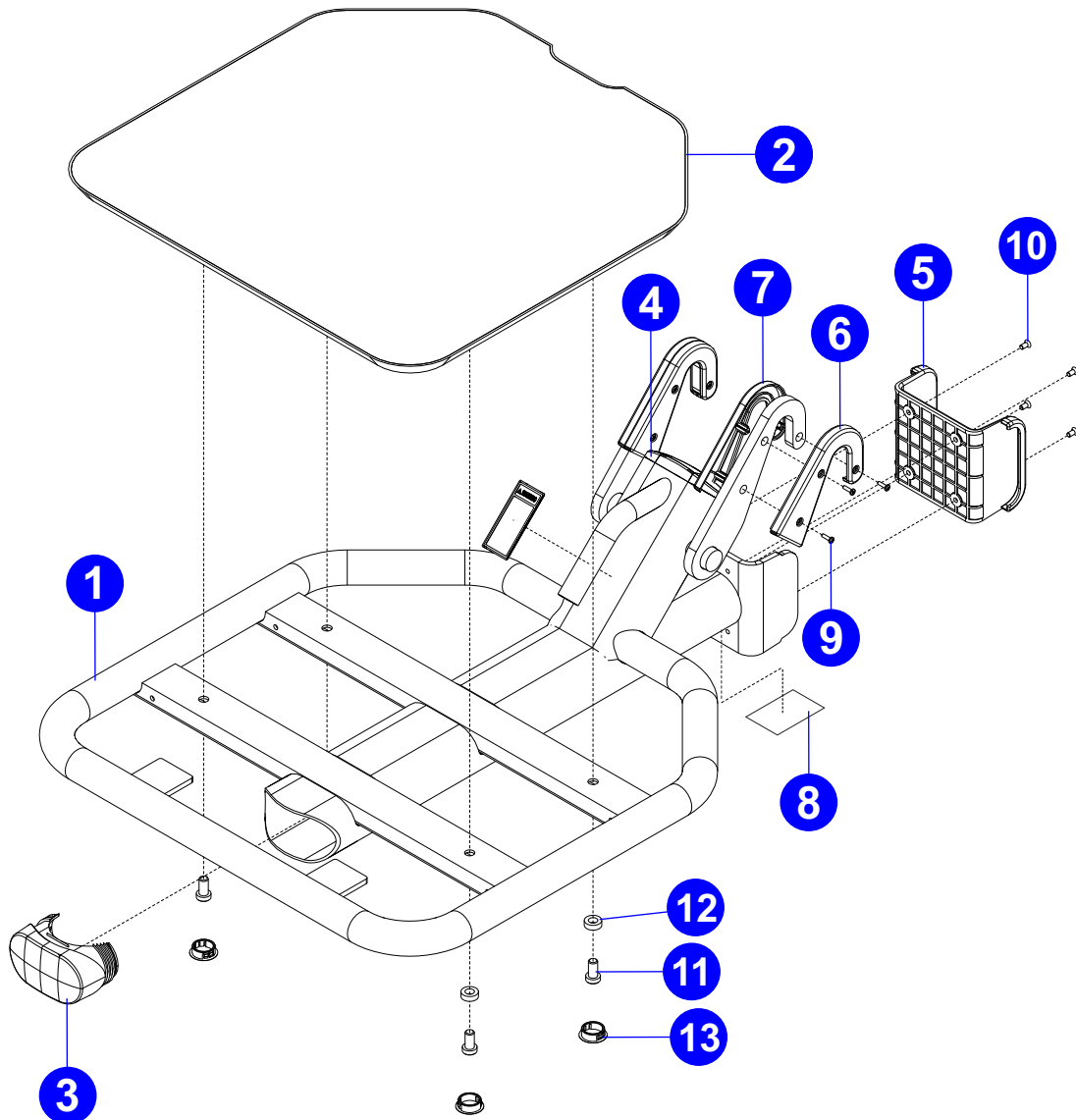
ITEM NO.	QTY.	PART NO.	DESCRIPTION
1	1	9573093	WLDMT, FXT, ROPE PULL
2	1	9586201	ASSY, FXT ROPE DRUM, SERVICE
3	2	9579493	PLATE, BOLT RETAINER
4	2	3270507	SCREW, M10 X 1.5 - 30MM, HEX HD
5	2	3277401	M6-1.0 X 10 HXS BUT CS ST BZ
6	2	3264101	WASHER, M6
7	4	3236220	M10 X 1.5 X 130 SHCS, LOW HEAD
8	4	7335401	NUT, SOCKET HEAD M10 X 1.5 SS
9	4	7385201	SPACER, .406 X .750 X .250 SS
10	1	9578901	ROPE, FXT, ROPE PULL

# Options - Stall Bar



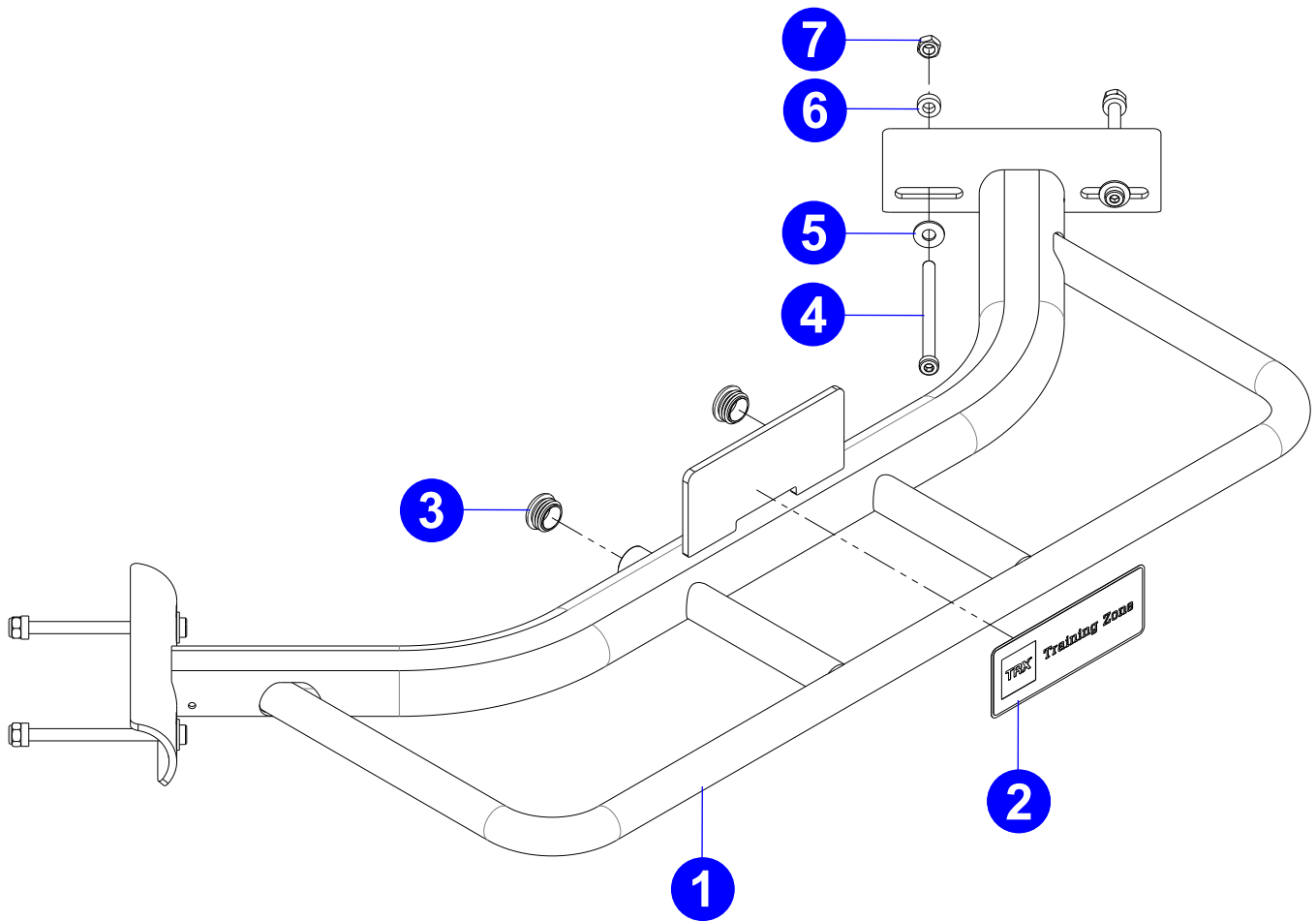
ITEM NO.	QTY.	PART NO.	DESCRIPTION
1	1	9558893	WLDMT, FXT, STALL BARS, HWG
2	1	9565393	WLDMT, FXT, STALL BARSTOP, HWG
3	4	7333801	CAP, SMALL FLOV-END
4	8	3236220	M10 X 1.5 X 130 SHCS, LOW HEAD
5	4	3236221	M10 X 1.5 X 140 SHCS, LOW HEAD
6	4	3273303	WASHER, 3/8, THRU-HARDENED
7	4	3236801	NUT, NYLOCK M10 X 1.5 SS
8	8	7335401	NUT, SOCKET HEAD M10 X 1.5 SS
9	12	7385201	SPACER, .406 X .750 X .250 SS

# Options - Step Up



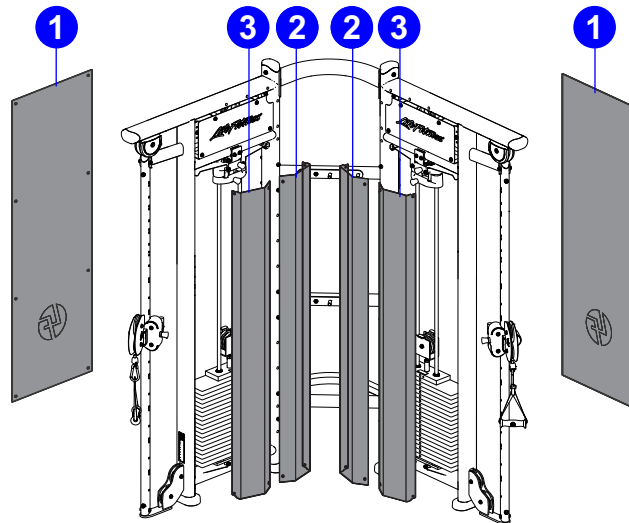
ITEM NO.	QTY.	PART NO.	DESCRIPTION
1	1	9508593	WLDMT, FXT STEP-UP
2	1	9575201	PLATFORM, FXT, MDF
3	1	7333902	CAP, LARGE FLOV- END
4	1	7800401	CAP, LRG FLOV END
5	1	9123001	COVER, FXT BRACKET
6	2	9123201	COVER, FXT HOOK
7	2	9123301	COVER, FXT HOOK W/BOSS
8	1	-	LABEL, SERIAL NUMBER, BLANK
9	6	3226003	SCREW, 6-20 X 8 PHL PAN PLT BZ
10	4	3260903	SCREW, M5X.8X10 PHL FLT MS ST BZ
11	4	3236201	SCREW, M10 X1.5 20MM
12	4	7385201	SPACER, .406 X .750 x .250
13	4	3237403	PLUG, 1" HOLE

# Options - Suspension Chin

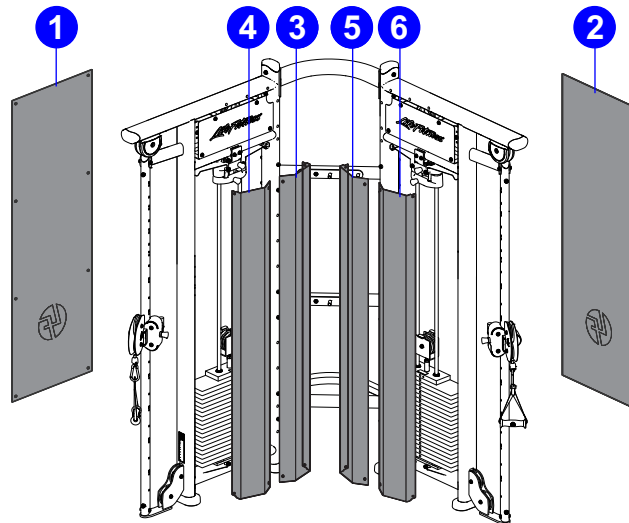


ITEM NO.	QTY.	PART NO.	DESCRIPTION
1	1	9178593	WLDMT, FXT, CHIN UP HWG
2	1	9137901	LABEL, TRX, SMALL
3	2	3119303	CAP, END 1.25 DIA RD 10-14 GA
4	4	3236221	M10 X 1.5 X 140 SHCS, LOW HEAD
5	4	3273303	WASHER, 3/8, THRU-HARDENED
6	4	7385201	SPACER, .406 X .750 X .250 SS
7	4	3236801	NUT, NYLOCK M10 X 1.5 SS

# Options - Cable Shroud Wraps



WRAP	ITEM NO.	QTY.	PART NO.	DESCRIPTION
BAMBOO	1	2	8951401	SHROUD, CM/M/J, REAR-BAMBOO
	2	2	9147801	SHROUD, FNT, LT-BAMBOO
	3	2	9147701	SHROUD, CM/M/J, FNT, RT-BAMBOO
BRONZE	1	2	8951801	SHROUD, CM/M/J, REAR-BRONZE
	2	2	9148701	SHROUD, FNT, LT-BRONZE
	3	2	9148601	SHROUD, FNT, RT-BRONZE
ROSEWOOD	1	2	8952201	SHROUD, CM/M/J, REAR-ROSEWOOD
	2	2	9149601	SHROUD, FNT, LT-ROSEWOOD
	3	2	9149501	SHROUD, FNT, RT-ROSEWOOD
STAINLESS STEEL	1	2	8952401	SHROUD, CM/M/J, REAR-STAINLESS STEEL
	2	2	9149901	SHROUD, FNT, LT-STAINLESS STEEL
	3	2	9149801	SHROUD, FNT, RT-STAINLESS STEEL



WRAP	ITEM NO.	QTY.	PART NO.	DESCRIPTION
SKY	1	1	8951602	SHROUD, CM/M/J, RT TOWER, REAR-SKY
	2	1	8951601	SHROUD, CM/M/J, LT TOWER, REAR-SKY
	3	1	9148101	SHROUD, RT TOWER, FNT, LT-SKY
	4	1	9148001	SHROUD, RT TOWER, FNT, RT-SKY
	5	1	9148102	SHROUD, LT TOWER, FNT, LT-SKY
	6	1	9148002	SHROUD, LT TOWER, FNT, RT-SKY
STEM	1	1	8952001	SHROUD, CM/M/J, RT TOWER, REAR-STEM
	2	1	8952002	SHROUD, CM/M/J, LT TOWER, REAR-STEM
	3	1	9149302	SHROUD, RT TOWER, FNT, LT-STEM
	4	1	9149202	SHROUD, RT TOWER, FNT, RT-STEM
	5	1	9149301	SHROUD, CM/M/J, LT TOWER, FNT, LT-STEM
	6	1	9149201	SHROUD, CM/M/J, LT TOWER, FNT, RT-STEM