

Symbio Incline Elliptical Black Onyx Base

EVXI-EV24-BLKXE-01

Parts Manual

3/3/2025 11:51:08 AM

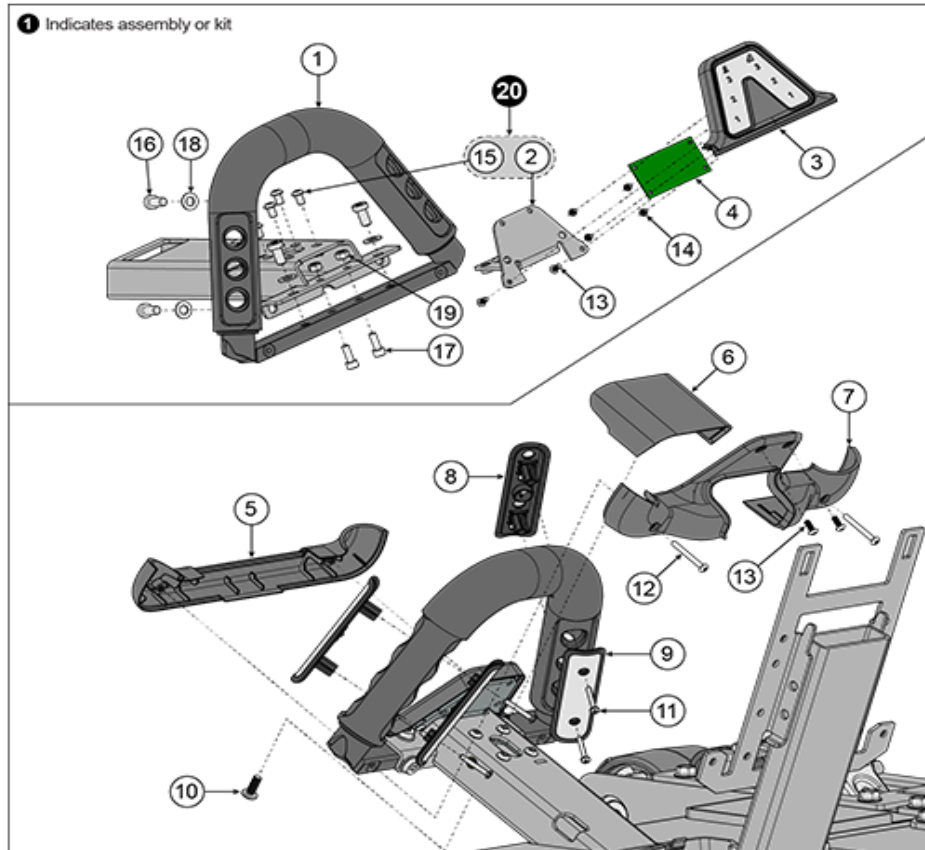


LifeFitness
WHAT WE LIVE FOR

Table of Contents

| | |
|--|----|
| Activity Zone | 3 |
| Base Shrouds | 5 |
| Communication Port | 6 |
| Console Rear Shroud | 7 |
| Console Weldment and Bridge Brackets | 8 |
| DPS Assembly | 9 |
| Front Shrouds and Casting | 11 |
| Front Stabilizer Castings | 12 |
| Generator and Crank Arm | 14 |
| Handlebar Rocker Assemblies | 15 |
| Incline Link Shrouds | 17 |
| Inner and Outer Bridge Shrouds | 18 |
| Left Coupler Link and Idler Link Assemblies | 19 |
| Left Pedal Lever Assembly | 21 |
| Left Side Motor Shroud | 22 |
| Lower Bridge Shroud | 23 |
| Main Rocker Arm Assemblies | 24 |
| Monocolumn Shrouds and Castings | 25 |
| Motor Rear and Top Shrouds | 27 |
| Pulley and Crank Arm | 28 |
| Rear Stabilizer Castings | 30 |
| Right Coupler Link and Idler Link Assemblies | 32 |
| Right Pedal Lever Assembly | 34 |
| Right Side Motor Shroud | 35 |
| Service Wheel and Castor | 36 |
| Service Wheel Assembly | 37 |
| Top Bridge Shroud | 38 |
| Under Bridge Components | 39 |
| Wiring Diagram - Base | 40 |
| Wiring Diagram - Base to Console | 41 |
| Wiring Diagram - Console to Wireless Charger | 42 |

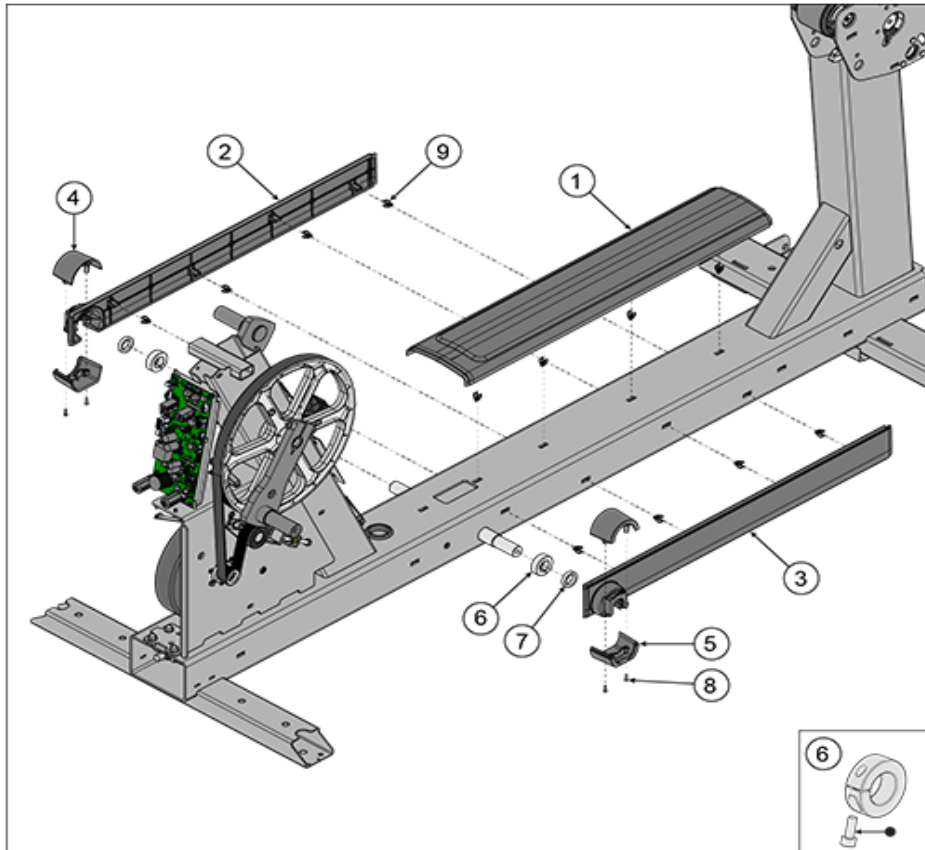
Activity Zone



| Ref # | Part Number | Qty | Description |
|-------|-----------------|-----|--|
| 1 | 1021645-0001 | 1 | ASSEMBLY: STATIONARY GRIP |
| | | | ASSEMBLY: STATIONARY GRIP, ACTIVITY ZONE |
| 2 | 1023383-0701 | 1 | MOUNT, PEM, BLACK |
| 3 | 1023364-0001 | 1 | ASSEMBLY: ACTIVITY ZONE, FRONT |
| 4 | 1020547-0011 | 1 | MAIN PCB ASSY: EVEREST XT HUB |
| 5 | 1021184-0001 | 1 | SHROUD ASSY: ACTIVITY ZONE, FRONT LOWER |
| 6 | 1022231-0001 | 1 | ASSEMBLY: SHROUD: BRIDGE TOP; INTERMEDIATE |
| 7 | 1021183-0001 | 1 | SHROUD: ACTIVITY ZONE, REAR |
| 8 | AK69-00139-2404 | 2 | ELECTRODE: INSERT-MOLDED ASSY, 4 INCH, TOP, CHARCOAL GRAY |
| 9 | AK69-00140-2404 | 2 | ELECTRODE: INSERT-MOLDED ASSY, 4 INCH, BOTTOM, CHARCOAL GRAY |
| 10 | 0017-00101-2138 | 1 | SCREW: M6 X 1.0 X 16, DIN, PHL, PAN, MS, ST, ZB |
| 11 | 0017-00101-2054 | 4 | SCREW: 6-19 X 16, PHL, PAN, HLS, ST, ZN |
| 12 | 1021607-0001 | 2 | SCREW: M4 X 0.7-6G6G X 35, HKA, BUT, MS, C10 |
| 13 | 1024766-0001 | 4 | SCREW: M4 X 0.7-6G6G X 10, HKA, BUT, MS, C10 |
| 14 | 0017-00101-1971 | 4 | SCREW: M3 X 0.5 6G6G X 6, DIN, PHL, PAN, MS, ST, ZN |
| 15 | 1006331-0001 | 4 | SCREW: M6 X 1.0 X 10, HXS, BUT, CS, ST, BZ |
| 16 | 1021564-0001 | 4 | SCREW: M8 X 1.25-6G6G X 16, LOW HD, HKA, SOC, CS, C10 |
| 17 | 1005398-0001 | 2 | SCREW: M6 X 1.0 X 16, DIN, HEX, SOC, CS, ST, BO |
| 18 | 0017-00104-0469 | 4 | WASHER: M8.4 X 16.0 X 1.6, DIN, FLAT, ST, ZB |

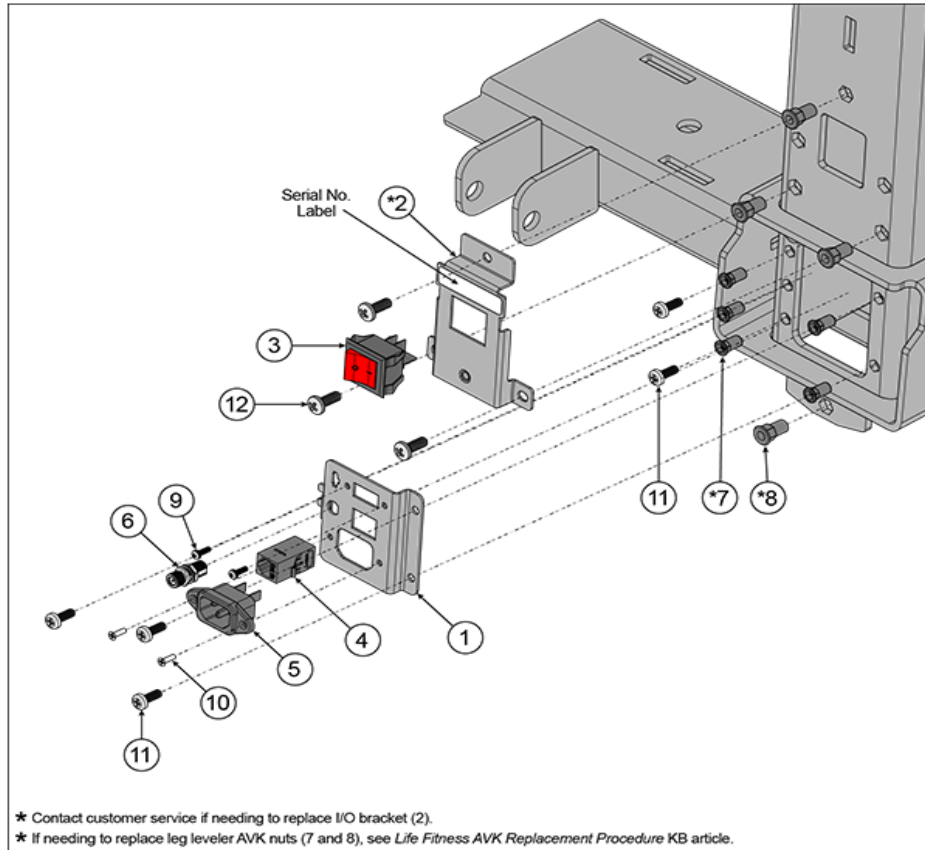
| Ref # | Part Number | Qty | Description |
|--------------|--------------------|------------|--|
| 19 | 0017-00103-0378 | 2 | NUT: M6 X 1-6H6H, DIN, LOCKNUT, ST, BZ |
| 20 | 1026264-0001 | 1 | KIT: ACTIVITY ZONE MOUNT WITH HARDWARE, SYMBIO CROSSTRAINER |

Base Shrouds



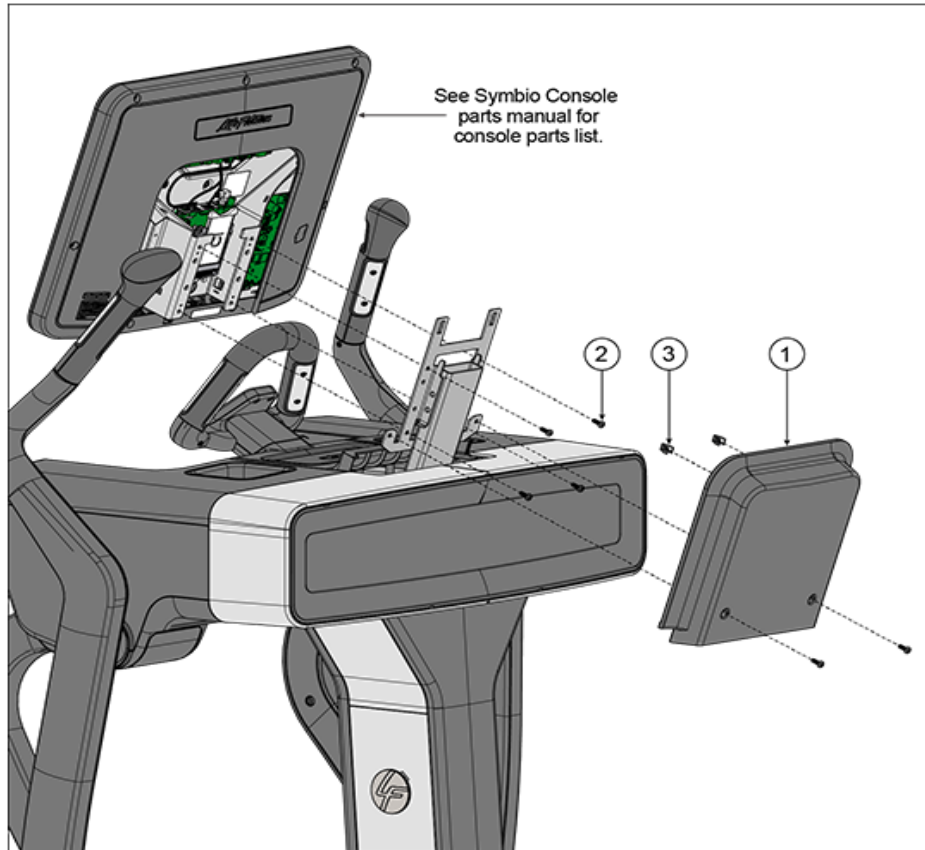
| Ref # | Part Number | Qty | Description |
|-------|--------------|-----|---|
| 1 | 1021666-0001 | 1 | ASSEMBLY: SHROUD, BASE FRAME, TOP |
| 2 | 1021667-0001 | 1 | ASSEMBLY: SHROUD, BASE FRAME, LEFT |
| 3 | 1021668-0001 | 1 | ASSEMBLY: SHROUD, BASE FRAME, RIGHT |
| 4 | 1023059-0001 | 2 | SHROUD ASSEMBLY: IDLER HUB COVER, TOP |
| 5 | 1023060-0001 | 2 | SHROUD: IDLER HUB COVER, BOTTOM |
| 6 | 1019442-0001 | 2 | ASSEMBLY: SHAFT COLLAR, M25 |
| 7 | 1020989-0001 | 2 | WASHER: M25 X 35 X 2.5, SPC, ST |
| 8 | 1023061-0001 | 4 | SCREW: M3 X 0.5-5G6G X 12, HKA, SOC, CS, ST |
| 9 | 1002263-0001 | 12 | CLIP: M9.55 X 16.5, FASTENER, SPRING |

Communication Port



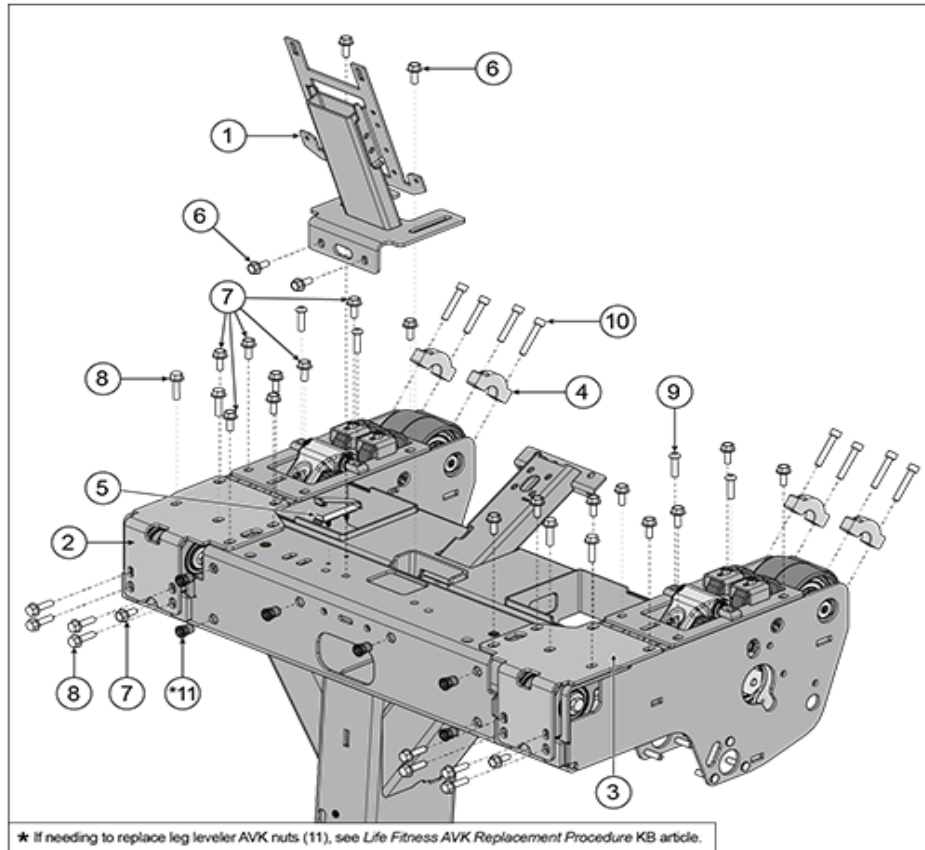
| Ref # | Part Number | Qty | Description |
|-------|-----------------|-----|---|
| 1 | 1025026-0001 | 1 | SHEET METAL: COMPORT |
| 2 | 1022512-0001 | 1 | SHEET METAL ASSY: POWER SWITCH ASSEMBLY |
| 3 | 0017-00032-0198 | 1 | SWITCH: POWER, DPST ROCKER |
| 4 | 0017-00021-3195 | 1 | COUPLER: CAT5E, SHIELDED, RJ45 |
| 5 | 0017-00003-1090 | 1 | RECEPTACLE: IEC, PANEL MOUNT, 15A 250V AC |
| 6 | 0017-00021-2846 | 1 | CONNECTOR: COAX, PANEL MOUNT |
| 7 | 1023057-0001 | 5 | INSERT: M5, HALF-HEX SHANK |
| 8 | 0017-00009-1358 | 4 | INSERT: M6 X 6.6, THREADED, HEX |
| 9 | 0017-00101-2016 | 2 | SCREW: M3 X 0.5 6G6G X 10, DIN, PHL, PAN, E, MS, ST, ZN |
| 10 | 1022828-0001 | 2 | SCREW: M3 X 0.5-6h X 10, PHL, FLT, MS, ST |
| 11 | 0017-00101-1972 | 5 | SCREW: M5 X 0.8 X 14, PHL, PAN, MS, ST, BZ |
| 12 | 0017-00101-2138 | 3 | SCREW: M6 X 1.0 X 16, DIN, PHL, PAN, MS, ST, ZB |

Console Rear Shroud



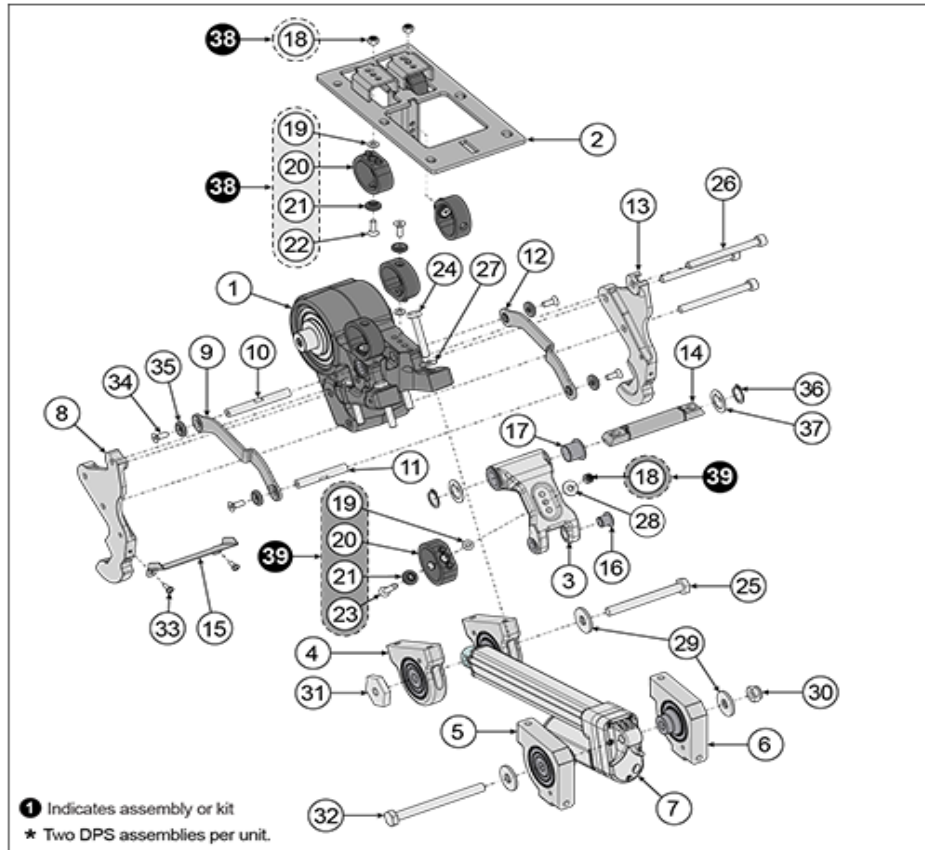
| Ref # | Part Number | Qty | Description |
|-------|-----------------|-----|--|
| 1 | 1022221-0001 | 1 | ASSEMBLY: SHROUD: CONSOLE, REAR |
| 2 | 0017-00101-1972 | 6 | SCREW: M5 X 0.8 X 14, PHL, PAN, MS, ST, BZ |
| 3 | 1002263-0001 | 2 | CLIP: M9.55 X 16.5, FASTENER, SPRING |

Console Weldment and Bridge Brackets



| Ref # | Part Number | Qty | Description |
|-------|-----------------|-----|---|
| 1 | 1022218-0701 | 1 | WELDMENT: CONSOLE MOUNT, L-BRACKET, BLACK |
| 2 | 1021859-0701 | 1 | SHEET METAL: RIGHT, BRACKET, ACTUATOR TRUNNION, BLACK |
| 3 | 1021858-0701 | 1 | SHEET METAL: LEFT, BRACKET, ACTUATOR TRUNNION, BLACK |
| 4 | 1020974-0001 | 4 | BLOCK: CLAMP, SHAFT, INCLINE LINK |
| 5 | 1022804-0001 | 1 | CLIP: FLAT CLAMP, SNAP-IN, HINGED |
| 6 | 0017-00101-2150 | 4 | SCREW: M8 X 1.25 6G6H X 20, UHS, HXW, CS, ST, ZB |
| 7 | 1005191-0001 | 16 | SCREW: M8 X 1.25 6G6H X 20, UNS, HXW, CS, ST |
| 8 | 0017-00101-2130 | 12 | SCREW: M8 X 1.25-6G6H X 30, UNS, HXW, CS, ST, ZB |
| 9 | 1024621-0001 | 4 | SCREW: M8 X 1.25-6G X 30, HKA, BUT, CS, ST |
| 10 | 1017155-0001 | 8 | SCREW: M8 X 1.25-6G6G X 45, HKA, SOC, CS, ST, ZC |
| 11 | 1019826-0001 | 6 | INSERT: M8 X 7.9, THREADED, HEX |

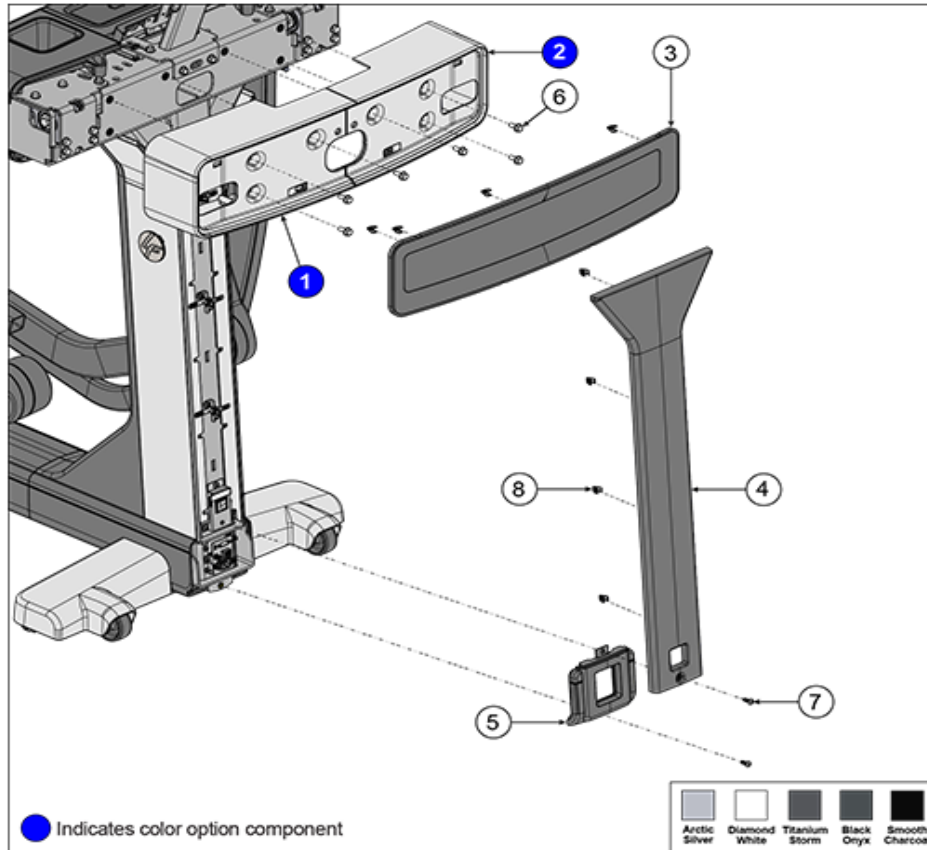
DPS Assembly



| Ref # | Part Number | Qty | Description |
|-------|-----------------|-----|--|
| 1 | 1022632-2601 | 2 | ASSEMBLY: INCLINE LINK, CHARCOAL GRAY SMOOTH |
| 2 | 1024370-0001 | 2 | WELDMENT: BRACKET, DPS |
| 3 | 1024364-0001 | 2 | ASSEMBLY: SPRING ARM, BUSHINGS |
| 4 | 1021811-0001 | 4 | ASSEMBLY: BEARING BLOCK, ACTUATOR PUSH TUBE |
| 5 | 1021860-0001 | 2 | ASSEMBLY: BLOCK, ACTUATOR TRUNNION, LEFT |
| 6 | 1024923-0001 | 2 | ASSEMBLY: BLOCK, ACTUATOR TRUNNION, RIGHT |
| 7 | 1021883-0001 | 2 | ACTUATOR: LINEAR, DC, CUSTOM TA16 |
| 8 | 1022636-0001 | 2 | BRACKET: INCLINE LINK, THREADED SIDE |
| 9 | 1023807-0001 | 2 | ASSEMBLY: LINK, CONNECTING, RIGHT |
| 10 | 1023775-0001 | 2 | SHAFT: PRE-LOAD, INCLINE LINK |
| 11 | 1023771-0001 | 2 | SHAFT: PRE-LOAD, SPRING ARM |
| 12 | 1023806-0001 | 2 | ASSEMBLY: LINK, CONNECTING, LEFT |
| 13 | 1022634-0001 | 2 | BRACKET: INCLINE LINK, C-BORE SIDE |
| 14 | 1023597-0001 | 2 | SHAFT: SPRING ARM |
| 15 | 1021578-0001 | 1 | BRACKET: INCLINE LINK |
| 16 | 1023802-0001 | 4 | BUSHING: M8 X 10 X 10, FLG, DE |
| 17 | 1023803-0001 | 4 | BUSHING: M18 X 20 X 17, FLG, DE |
| 18 | 0017-00103-0378 | 6 | NUT: M6 X 1-6H6H, DIN, LOCKNUT, ST, BZ |
| 19 | 1024484-0001 | 10 | WASHER: M6 X 12 X 1, FL, ST |
| 20 | 1024354-0001 | 10 | SPRING: ELASTOMER, DPS |
| 21 | 1024479-0001 | 10 | SPACER: FLANGED, COUNTERSINK |
| 22 | 1025000-0001 | 8 | SCREW: M6 X 1.0-6G X 18, HKA, FLT, CS, ST |

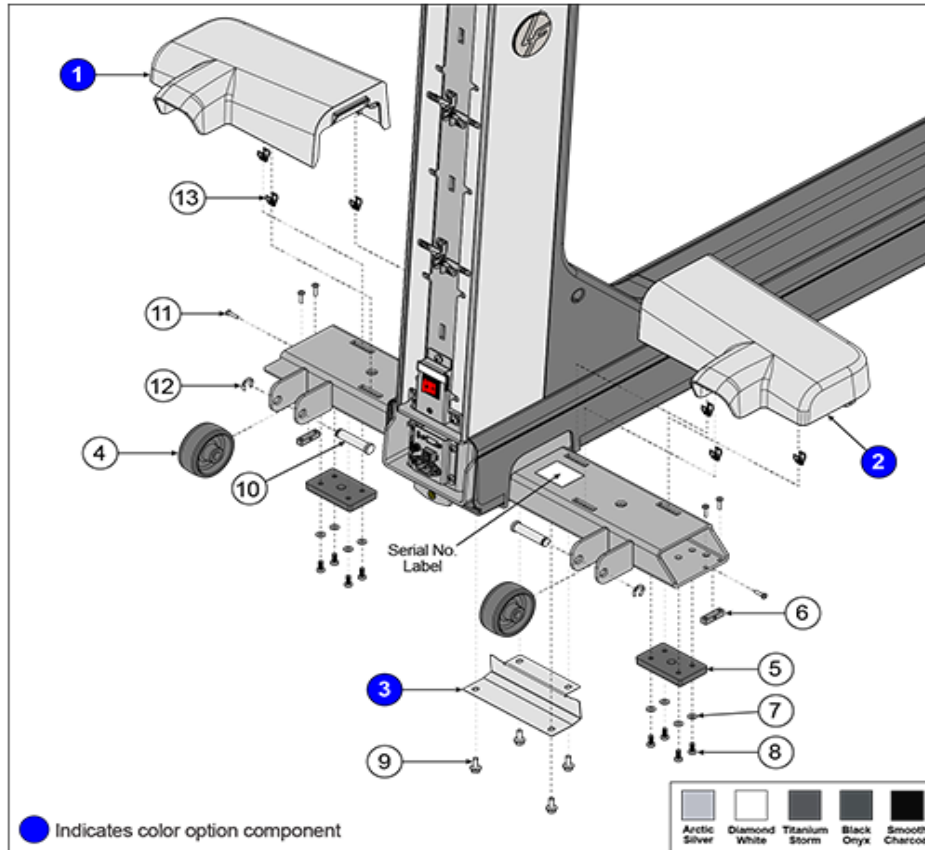
| Ref # | Part Number | Qty | Description |
|-------|-----------------|-----|---|
| 23 | 1024999-0001 | 2 | SCREW: M6 X 1.0-6G X 30, HKA, FLT, CS, ST |
| 24 | 1023674-0001 | 8 | SCREW: M8 X 1.25-6G6G X 50, DIN, UNS, HEX, CS, ST, ZN |
| 25 | 1021092-0001 | 2 | SCREW: M10 X 1.5-6G6G X 95, HXS, HEX, CS, C10 |
| 26 | 1021058-0001 | 3 | SCREW: M8 X 1.25-6G6G X 90, HKA, SOC, CS, C12 |
| 27 | 0017-00104-0510 | 8 | WASHER: M8.4 X 19 X 1.6, DIN, FLAT, ST, ZB |
| 28 | 1023808-0001 | 2 | WASHER: M6 X 18 X 1.6, FL, ST |
| 29 | 1021055-0001 | 3 | WASHER: M10 X 31 X 3, SPC, ST |
| 30 | 0017-00103-0334 | 2 | NUT: M10 X 1.50-6H6H, DIN, LOCKNUT, ST, ZB |
| 31 | 1021085-0001 | 2 | NUT: M10 X 1.5-6H, SHOULDER, SPC, ST |
| 32 | 1021091-0001 | 2 | SCREW: M10 X 1.5-6G6G X 115, HXS, HEX, CS, C10 |
| 33 | 0017-00101-1989 | 4 | SCREW: M4 X 6G6G X 10, PHL, PAN, ST, ZN |
| 34 | 1024622-0001 | 8 | SCREW: M6 X 1.0-6G X 16, HKA, FLT, CS, ST |
| 35 | 1024531-0001 | 8 | WASHER: M6, COUNTERSUNK, DPS |
| 36 | 1023815-0001 | 4 | RING: M18, BRE, ST |
| 37 | 1023810-0001 | 4 | WASHER: M18 X 28 X 1, SPC, ST |
| 38 | 1026279-0001 | 1 | KIT: DPS SPRING REPLACEMENT |
| 39 | 1026280-0001 | 1 | KIT: DPS ARM SPRING REPLACEMENT |

Front Shrouds and Casting



| Ref # | Part Number | Qty | Description |
|-------|-----------------|-----|--|
| 1b | 1022067-2301 | 1 | CASTING: BRIDGE RING, RIGHT, BLACK ONYX |
| 1a | 1022067-2601 | 1 | CASTING: BRIDGE RING, RIGHT, SMOOTH CHAR GRAY |
| 1c | 1022067-2201 | 1 | CASTING: BRIDGE RING, RIGHT, TITANIUM |
| 1d | 1022067-2101 | 1 | CASTING: BRIDGE RING, RIGHT, PEARLESENT WHITE |
| 1e | 1022067-0101 | 1 | CASTING: BRIDGE RING, RIGHT, ARCTIC SILVER |
| 2b | 1021579-2301 | 1 | CASTING: BRIDGE RING, LEFT, BLACK ONYX |
| 2e | 1021579-0101 | 1 | CASTING: BRIDGE RING, LEFT, ARCTIC SILVER |
| 2c | 1021579-2201 | 1 | CASTING: BRIDGE RING, LEFT, TITANIUM |
| 2a | 1021579-2601 | 1 | CASTING: BRIDGE RING, LEFT, SMOOTH CHAR GRAY |
| 2d | 1021579-2101 | 1 | CASTING: BRIDGE RING, LEFT, PEARLESENT WHITE |
| 3 | 1022222-0001 | 1 | ASSEMBLY: SHROUD: BRIDGE; FRONT |
| 4 | 1021677-0001 | 1 | SHROUD ASSY: MONOCOLUMN, FRONT |
| 5 | 1021475-0001 | 1 | SHROUD: COMM PANEL |
| 6 | 0017-00101-2150 | 6 | SCREW: M8 X 1.25 6G6H X 20, UHS, HXW, CS, ST, ZB |
| 7 | 0017-00101-2138 | 2 | SCREW: M6 X 1.0 X 16, DIN, PHL, PAN, MS, ST, ZB |
| 8 | 1002263-0001 | 8 | CLIP: M9.55 X 16.5, FASTENER, SPRING |

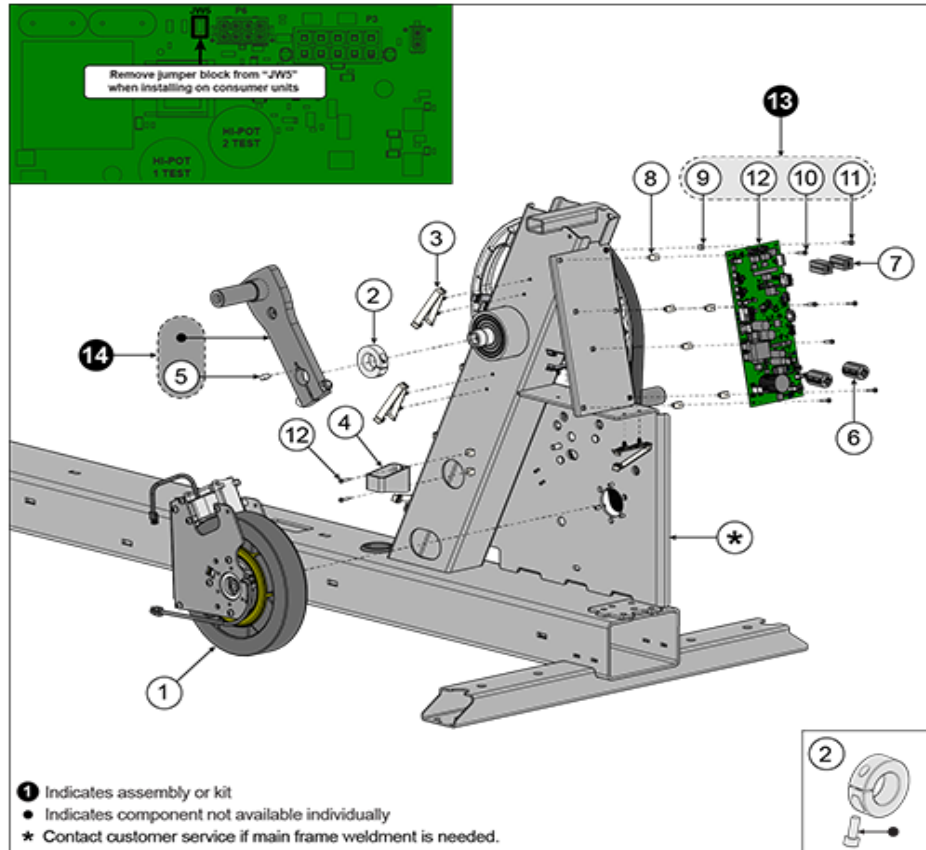
Front Stabilizer Castings



| Ref # | Part Number | Qty | Description |
|-------|--------------|-----|--|
| 1e | 1021653-0101 | 1 | CASTING ASSY: STABILZER COVER, FRONT RIGHT, ARCTIC SILVER |
| 1d | 1021653-2101 | 1 | CASTING ASSY: STABILZER COVER, FRONT RIGHT, PEARLESENT WHITE |
| 1b | 1021653-2301 | 1 | CASTING ASSY: STABILZER COVER, FRONT RIGHT, BLACK ONYX |
| 1c | 1021653-2201 | 1 | CASTING ASSY: STABILZER COVER, FRONT RIGHT, TITANIUM |
| 1a | 1021653-2601 | 1 | CASTING ASSY: STABILZER COVER, FRONT RIGHT, MATTE CHAR GRAY |
| 2b | 1021652-2301 | 1 | CASTING ASSY: STABILZER COVER, FRONT LEFT, BLACK ONYX |
| 2c | 1021652-2201 | 1 | CASTING ASSY: STABILZER COVER, FRONT LEFT, TITANIUM |
| 2e | 1021652-0101 | 1 | CASTING ASSY: STABILZER COVER, FRONT LEFT, ARCTIC SILVER |
| 2a | 1021652-2601 | 1 | CASTING ASSY: STABILZER COVER, FRONT LEFT, MATTE CHAR GRAY |
| 2d | 1021652-2101 | 1 | CASTING ASSY: STABILZER COVER, FRONT LEFT, PEARLESENT WHITE |
| 3a | 1022086-7301 | 1 | BRACKET: FRONT STABILIZER FILLER, METTALIC BLACK |

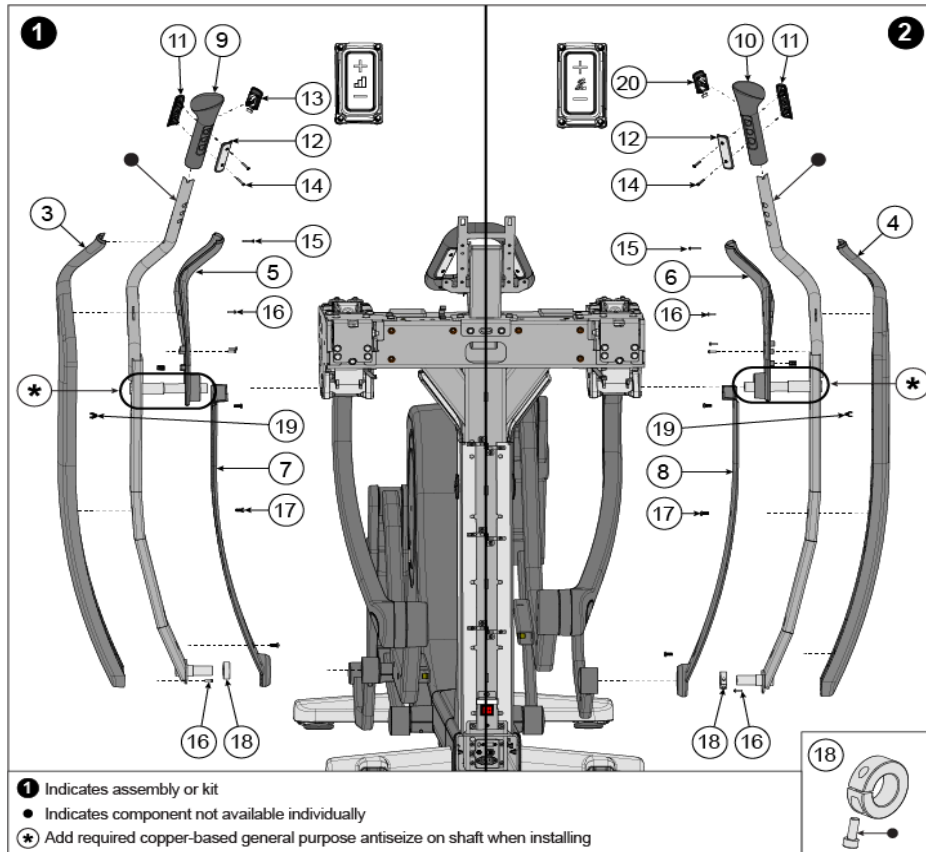
| Ref # | Part Number | Qty | Description |
|-------|-----------------|-----|---|
| 3e | 1022086-5101 | 1 | BRACKET: FRONT STABILIZER FILLER, ARCTIC SILVER |
| 3d | 1022086-5301 | 1 | BRACKET: FRONT STABILIZER FILLER, SMOOTH CHAR GRAY |
| 3c | 1022086-7101 | 1 | BRACKET: FRONT STABILIZER FILLER, PEARESCENT WHITE |
| 3b | 1022086-7201 | 1 | BRACKET: FRONT STABILIZER FILLER, TITANIUM |
| 4 | 0K60-01020-0000 | 2 | WHEEL: LIFT-ARM |
| 5 | 7810801 | 2 | PAD: FOOT, RUBBER |
| 6 | 1021957-0001 | 2 | BLOCK: STABILIZER, SHROUD MOUNT |
| 7 | 1024484-0001 | 8 | WASHER: M6 X 12 X 1, FL, ST |
| 8 | 0017-00101-1972 | 8 | SCREW: M5 X 0.8 X 14, PHL, PAN, MS, ST, BZ |
| 9 | 1003368-0001 | 4 | SCREW: M6 X 1.0 X 16, DIN, UNS, HXW, CS, ST, ZB |
| 10 | 1021145-0001 | 2 | SHAFT: M12.7, WHEEL |
| 11 | 0017-00101-1874 | 6 | SCREW: M4 X 0.70-6G6G X 16, ISO, PHL, PAN, MS, ST, ZN |
| 12 | 1021146-0001 | 2 | E-RING: M11-15, SHAFT |
| 13 | 1002263-0001 | 6 | CLIP: M9.55 X 16.5, FASTENER, SPRING |

Generator and Crank Arm



| Ref # | Part Number | Qty | Description |
|-------|-----------------|-----|---|
| 1 | 1003401-0001 | 1 | GENERATOR: W/BRAKE, W/O CLUTCH, 10 RIB PULLEY |
| 2 | 0K69-01018-0000 | 1 | COLLAR: 30 MM ID, SHAFT |
| 3 | 1022804-0001 | 3 | CLIP: FLAT CLAMP, SNAP-IN, HINGED |
| 4 | 1023108-0701 | 1 | TUBE: STANDOFF, REAR SHROUD LEFT, BLACK |
| 5 | 1024969-0001 | 1 | KEY: 7 X 8 |
| 6 | 1024147-0001 | 2 | FERRITE: ROUND CABLE SNAP-IT, 10MHz-100MHz |
| 7 | 1022832-0001 | 2 | NUT: M4 X 0.7-6H, RIVET, ST, HALF-HEX SHANK |
| 8 | 0017-00042-0821 | 6 | GROMMET: SCREW, #6 |
| 9 | 1013169-0001 | 1 | SPACER: M5.3 X 8 X 7, ALUMINUM |
| 10 | 0017-00101-1838 | 6 | SCREW: M3.5 X 1.3 6G6G X 19, PHL, PAN, AB, ST, ZN |
| 11 | 0017-00101-1874 | 1 | SCREW: M4 X 0.70-6G6G X 16, ISO, PHL, PAN, MS, ST, ZN |
| 12 | 1017804-0014 | 1 | PNC CROSSTRAINER |
| 13 | 1026277-0001 | 1 | KIT: PNC BOARD REPLACEMENT, SYMBIO CROSSTRAINER |
| 14 | 1026271-0001 | 1 | KIT: CRANKARM REPLACEMENT, SYMBIO CROSSTRAINER |

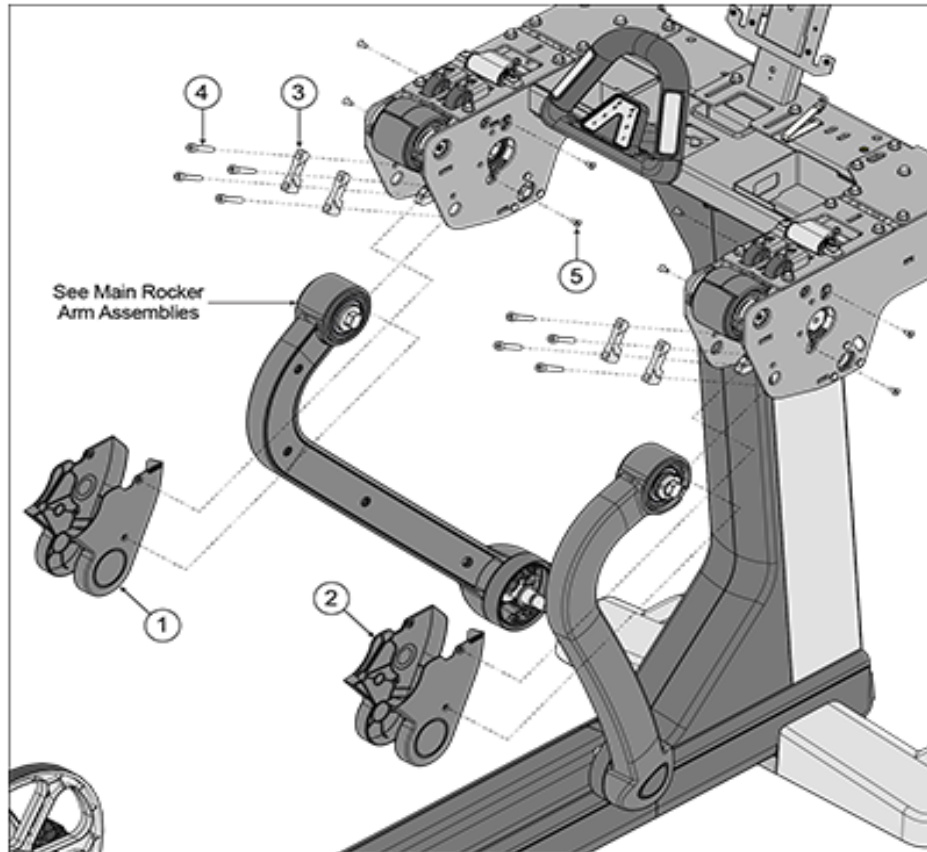
Handlebar Rocker Assemblies



| Ref # | Part Number | Qty | Description |
|-------|-----------------|-----|--|
| 1 | 1026291-0001 | 1 | KIT: HANDLEBAR ROCKER ASSEMBLY REPLACEMENT, RIGHT |
| 2 | 1026301-0001 | 1 | KIT: HANDLEBAR ROCKER ASSEMBLY REPLACEMENT, LEFT |
| 3 | 1023162-0001 | 1 | ASSEMBLY: SHROUD, HBAR ROCKER, OUTER, RIGHT |
| 4 | 1023161-0001 | 1 | ASSEMBLY: SHROUD, HBAR ROCKER, OUTER, LEFT |
| 5 | 1022734-0001 | 1 | ASSEMBLY: SHROUD, HBAR ROCKER, INNER, UPPER, RIGHT |
| 6 | 1022733-0001 | 1 | ASSEMBLY: SHROUD, HBAR ROCKER, INNER UPPER, LEFT |
| 7 | 1022594-0001 | 1 | SHROUD: HBAR ROCKER, INNER, LOWER, RIGHT |
| 8 | 1021946-0001 | 1 | SHROUD: HBAR ROCKER, INNER, LOWER, LEFT |
| 9 | 1021420-0001 | 1 | GRIP: MOLDED ASSY, RIGHT |
| 10 | 1021420-0002 | 1 | GRIP: MOLDED ASSY, LEFT |
| 11 | AK69-00139-2404 | 2 | ELECTRODE: INSERT-MOLDED ASSY, 4 INCH, TOP, CHARCOAL GRAY |
| 12 | AK69-00140-2404 | 2 | ELECTRODE: INSERT-MOLDED ASSY, 4 INCH, BOTTOM, CHARCOAL GRAY |
| 13 | 1021421-0001 | 1 | ASSEMBLY: KEYPAD BEZEL, RESISTENCE |
| 14 | 0017-00101-2054 | 4 | SCREW: 6-19 X 16, PHL, PAN, HLS, ST, ZN |
| 15 | 1023354-0001 | 2 | SCREW: 6-19 X 16, PHL, PAN, PLT, ST |
| 16 | 0017-00101-1874 | 8 | SCREW: M4 X 0.70-6G6G X 16, ISO, PHL, PAN, MS, ST, |

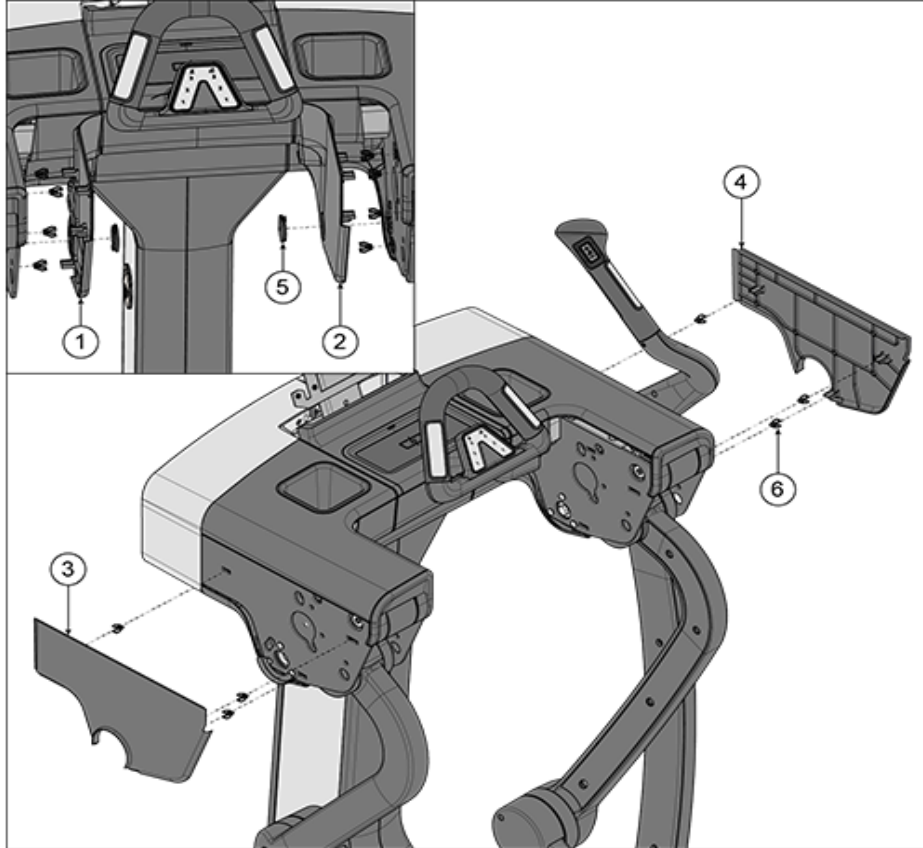
| Ref # | Part Number | Qty | Description |
|-------|-----------------|-----|---|
| | | | ZN |
| 17 | 0017-00101-2138 | 6 | SCREW: M6 X 1.0 X 16, DIN, PHL, PAN, MS, ST, ZB |
| 18 | 1019442-0001 | 2 | ASSEMBLY: SHAFT COLLAR, M25 |
| 19 | 1002263-0001 | 4 | CLIP: M9.55 X 16.5, FASTENER, SPRING |
| 20 | 1021421-0002 | 1 | ASSEMBLY: KEYPAD BEZEL, INCLINE |

Incline Link Shrouds



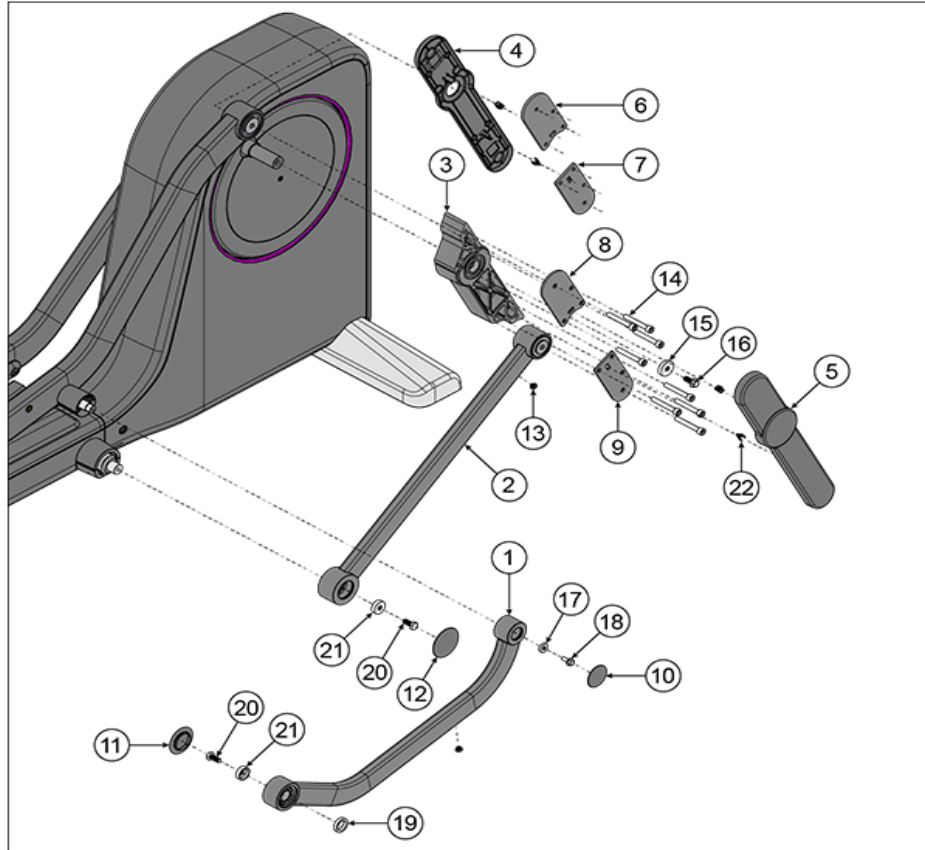
| Ref # | Part Number | Qty | Description |
|-------|-----------------|-----|--|
| 1 | 1020967-0001 | 2 | SHROUD: INCLINE LINK, RIGHT |
| 2 | 1020966-0001 | 2 | SHROUD: INCLINE LINK, LEFT |
| 3 | 1022635-0001 | 4 | BLOCK: CLAMP, SHAFT, MAIN ROCKER |
| 4 | 1017155-0001 | 8 | SCREW: M8 X 1.25-6G6G X 45, HKA, SOC, CS, ST, ZC |
| 5 | 0017-00101-1988 | 8 | SCREW: M6 X 1-6G6G X 12, DIN, SOC, FLT, CS, ST, ZB |

Inner and Outer Bridge Shrouds



| Ref # | Part Number | Qty | Description |
|-------|--------------|-----|---------------------------------------|
| 1 | 1022227-0001 | 1 | ASSEMBLY: SHROUD: BRIDGE, INNER LEFT |
| 2 | 1022228-0001 | 1 | ASSEMBLY: SHROUD: BRIDGE, INNER RIGHT |
| 3 | 1022225-0001 | 1 | ASSEMBLY: SHROUD: BRIDGE; OUTER LEFT |
| 4 | 1022226-0001 | 1 | ASSEMBLY: SHROUD: BRIDGE; OUTER RIGHT |
| 5 | 1021674-0001 | 2 | PLUG: ACCESS, MOVING HANDLEBAR |
| 6 | 1002263-0001 | 14 | CLIP: M9.55 X 16.5, FASTENER, SPRING |

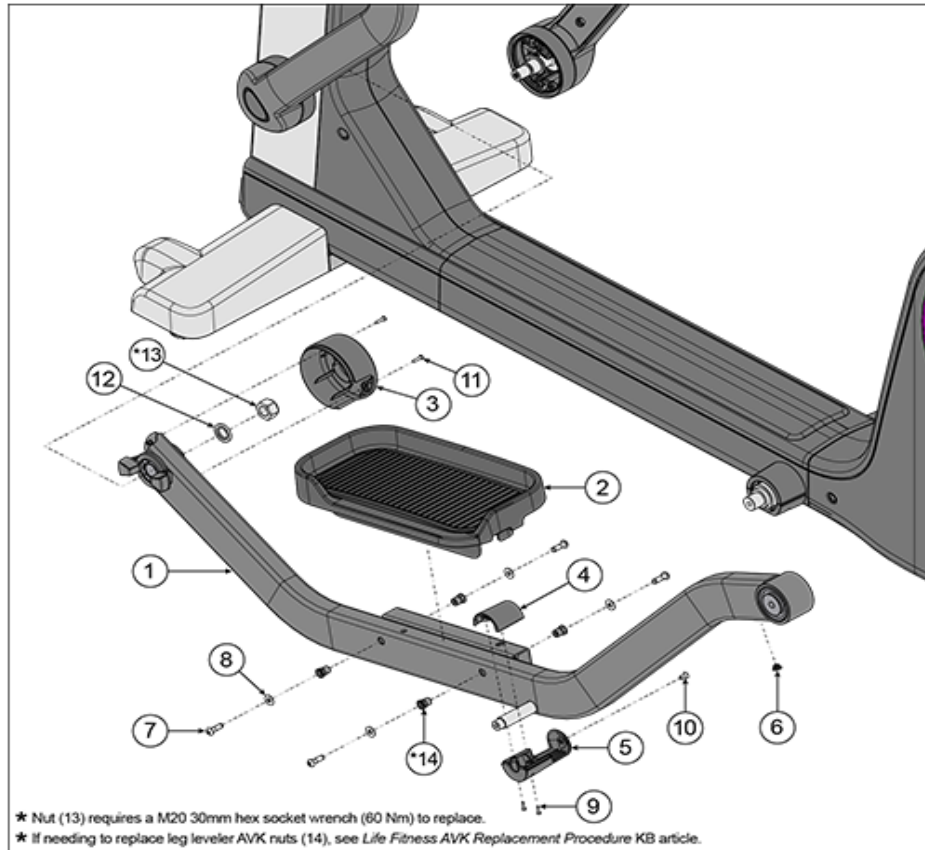
Left Coupler Link and Idler Link Assemblies



| Ref # | Part Number | Qty | Description |
|-------|-----------------|-----|---|
| 1 | 1020340-5301 | 1 | ASSEMBLY: COUPLER LINK, LEFT, CHARCOAL GRAY SMOOTH ROBUST |
| 2 | 1021032-5301 | 1 | ASSEMBLY: IDLER LINK, LEFT, CHARCOAL GRAY SMOOTH ROBUST |
| 3 | 1022847-2601 | 1 | ASSEMBLY: STRIDE LINK, LEFT, CHARCOAL GRAY SMOOTH |
| 4 | 1022920-0001 | 1 | SHROUD ASSY: STRIDE LINK, INNER |
| 5 | 1022909-0001 | 1 | SHROUD ASSY: STRIDE LINK, OUTER |
| 6 | 1022837-0001 | 1 | BRACKET: NUT, STRIDE LINK, UPPER |
| 7 | 1022839-0001 | 1 | BRACKET: NUT, STRIDE LINK, LOWER |
| 8 | 1022840-0001 | 1 | BRACKET: STRIDE LINK, UPPER |
| 9 | 1022841-0001 | 1 | BRACKET: STRIDE LINK, LOWER |
| 10 | 1022314-0001 | 1 | CAP: COUPLER LINK, REAR |
| 11 | 1022773-0001 | 1 | CAP: COUPLER LINK, FRONT |
| 12 | 1022315-0001 | 1 | CAP: IDLER LINK |
| 13 | 1021819-0001 | 2 | PLUG: 9.5MM HOLE |
| 14 | 1021239-0001 | 8 | SCREW: M10 X 1.5-5G6G X 70, HKA, SOC, CS, C12 |
| 15 | 1023262-0001 | 1 | WASHER: M10 X 38.1 X 9, 30MM, SPC, ST |
| 16 | 0017-00101-2135 | 1 | SCREW: M10 X 1.50 6G6H X 25, UNS, FLG, CS, ST, ZB |
| 17 | 1022831-0001 | 1 | WASHER: M8 X 22 X 6, 17MM, SPC, ST |
| 18 | 0017-00101-2150 | 1 | SCREW: M8 X 1.25 6G6H X 20, UHS, HXW, CS, ST, ZB |
| 19 | 1020989-0001 | 1 | WASHER: M25 X 35 X 2.5, SPC, ST |

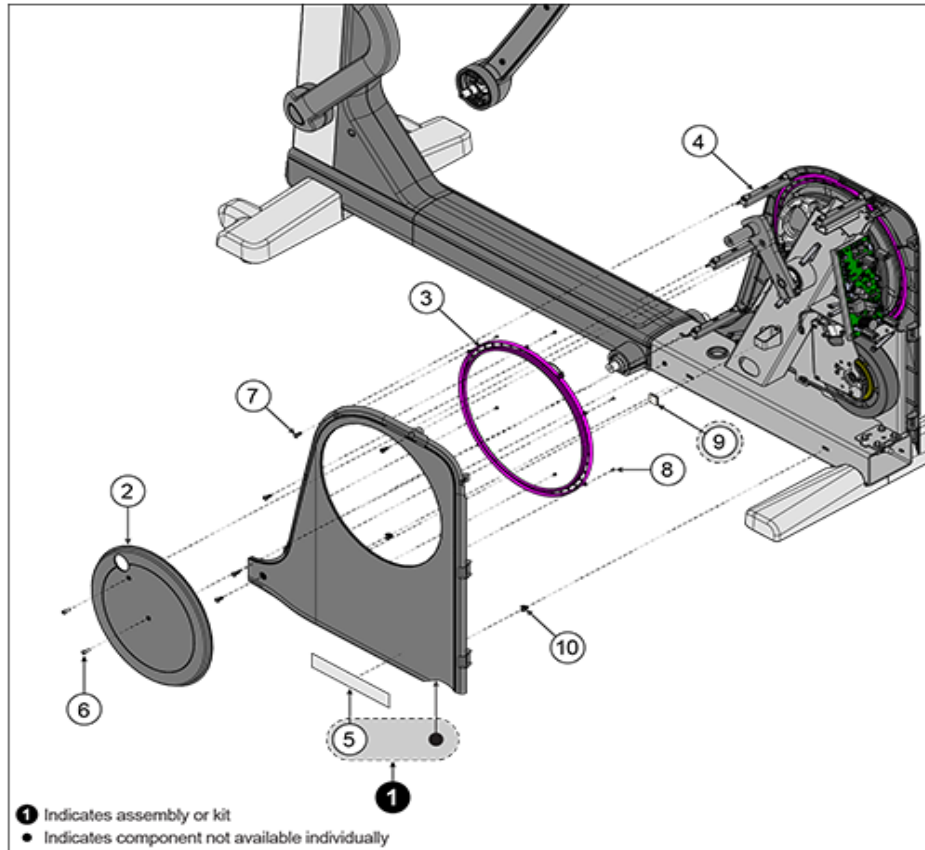
| Ref # | Part Number | Qty | Description |
|--------------|--------------------|------------|--|
| 20 | 1009210-0001 | 2 | SCREW: M10 X 1.5 6G X 25 UNS,HEX CAP,ST ZS,PATCH |
| 21 | 1022781-0001 | 2 | WASHER: M10 X 35 X 11, 25MM, SPC, ST |
| 22 | 1002263-0001 | 4 | CLIP: M9.55 X 16.5, FASTENER, SPRING |

Left Pedal Lever Assembly



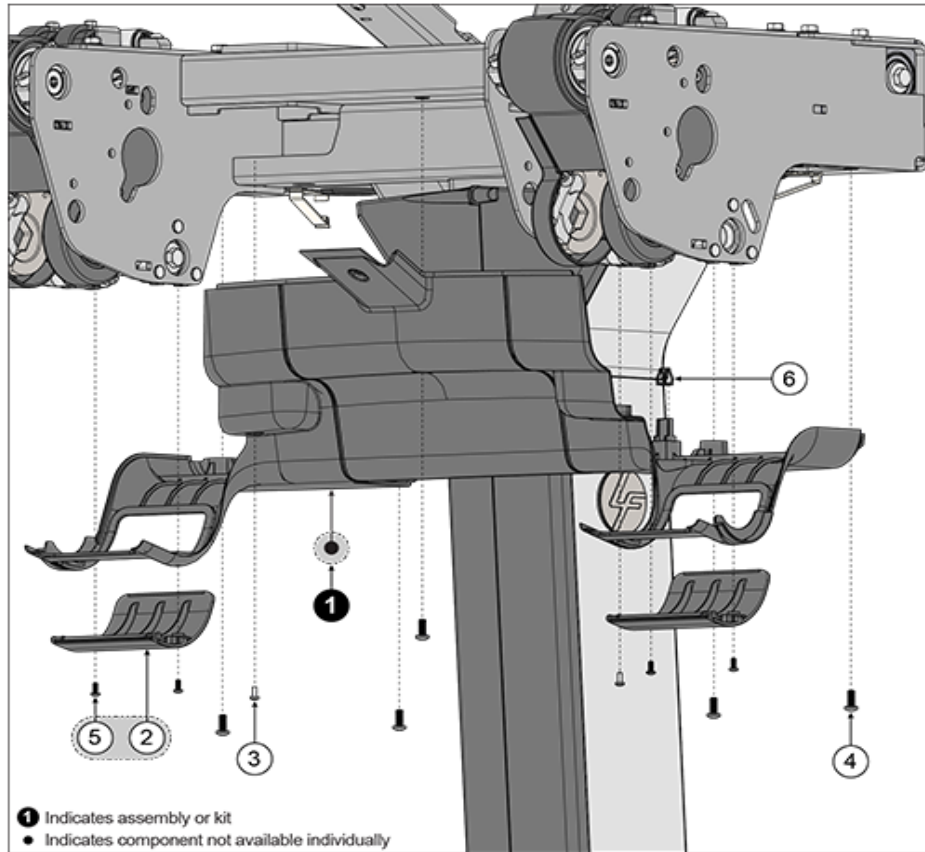
| Ref # | Part Number | Qty | Description |
|-------|-----------------|-----|---|
| 1 | 1022628-5301 | 1 | ASSEMBLY: PEDAL LEVER, LEFT, W/ HARDWARE, CHARCOAL GRAY SMOOTH ROBUST |
| 2 | 1021538-0001 | 1 | PEDAL: LEFT, FEATURED |
| 3 | 1022753-0001 | 1 | SHROUD: RDS JOINT, OUTER |
| 4 | 1023183-0001 | 1 | SHROUD ASSY: COUPLER HUB COVER, TOP |
| 5 | 1023184-0001 | 1 | SHROUD: COUPLER HUB COVER, BOTTOM |
| 6 | 1021819-0001 | 1 | PLUG: 9.5MM HOLE |
| 7 | 0017-00101-1929 | 4 | SCREW: M8 X 1.25-6G6G X 25, DIN, HEX, BUT, CS, ST |
| 8 | 0017-00104-0510 | 4 | WASHER: M8.4 X 19 X 1.6, DIN, FLAT, ST, ZB |
| 9 | 1023061-0001 | 2 | SCREW: M3 X 0.5-5G6G X 12, HKA, SOC, CS, ST |
| 10 | 0017-00101-1988 | 1 | SCREW: M6 X 1-6G6G X 12, DIN, SOC, FLT, CS, ST, ZB |
| 11 | 0017-00101-1874 | 2 | SCREW: M4 X 0.70-6G6G X 16, ISO, PHL, PAN, MS, ST, ZN |
| 12 | 1022883-0001 | 1 | WASHER: M20, SHAFT, RDS |
| 13 | 1022938-0001 | 1 | NUT: M20 X 2.5-6H, LCK, ST |
| 14 | 0017-00009-1191 | 4 | INSERT: M8 X 6.6, THREADED, HEX |

Left Side Motor Shroud



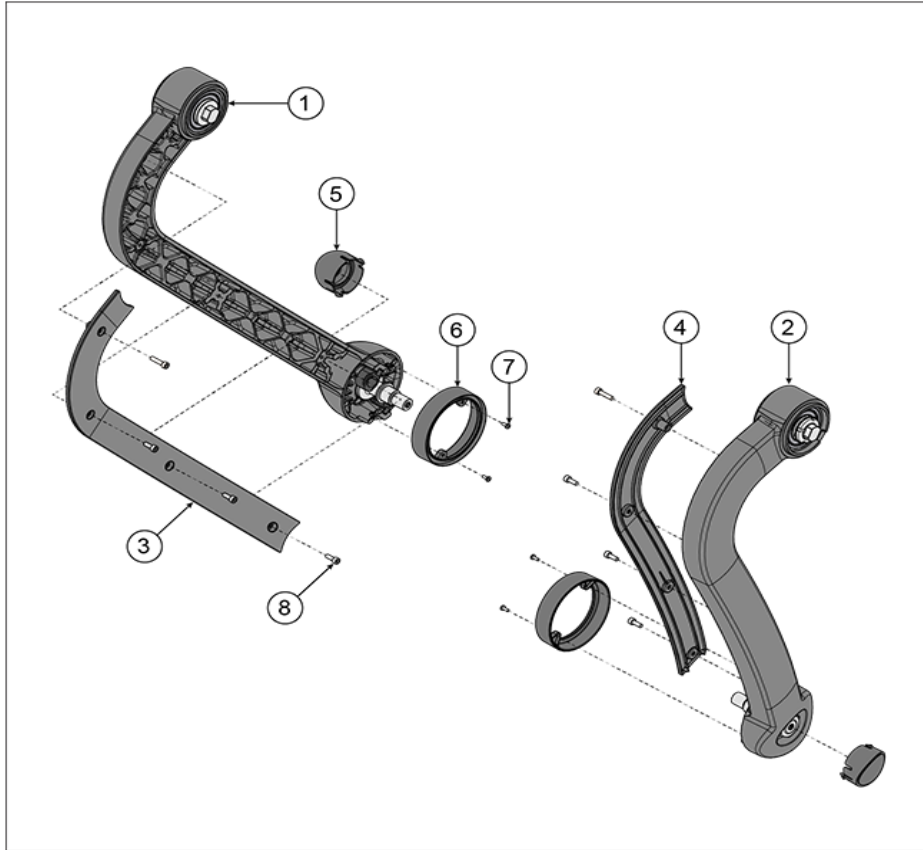
| Ref # | Part Number | Qty | Description |
|-------|-----------------|-----|--|
| 1 | 1026208-0001 | 1 | ASSEMBLY: DRIVE SHROUD WITH DECAL, SYMBIO CROSSTRAINER, LEFT |
| 2 | 1020745-0001 | 1 | COVER: CRANK ARM |
| 3 | 1022342-0002 | 1 | ASSEMBLY: LIGHT RING, CROSSTRAINER |
| 4 | 1021559-0001 | 4 | ASSEMBLY: STRUT BRACKET |
| 5 | 1020283-0001 | 1 | DECAL: TR EVEREST LIFE FITNESS LOGO |
| 6 | 1005398-0001 | 2 | SCREW: M6 X 1.0 X 16, DIN, HEX, SOC, CS, ST, BO |
| 7 | 0017-00101-2138 | 5 | SCREW: M6 X 1.0 X 16, DIN, PHL, PAN, MS, ST, ZB |
| 8 | 0017-00101-1971 | 6 | SCREW: M3 X 0.5 6G6G X 6, DIN, PHL, PAN, MS, ST, ZN |
| 9 | 1023107-0001 | 2 | DUAL LOCK PAD: REAR SHROUD LEFT |
| 10 | 1002263-0001 | 2 | CLIP: M9.55 X 16.5, FASTENER, SPRING |

Lower Bridge Shroud



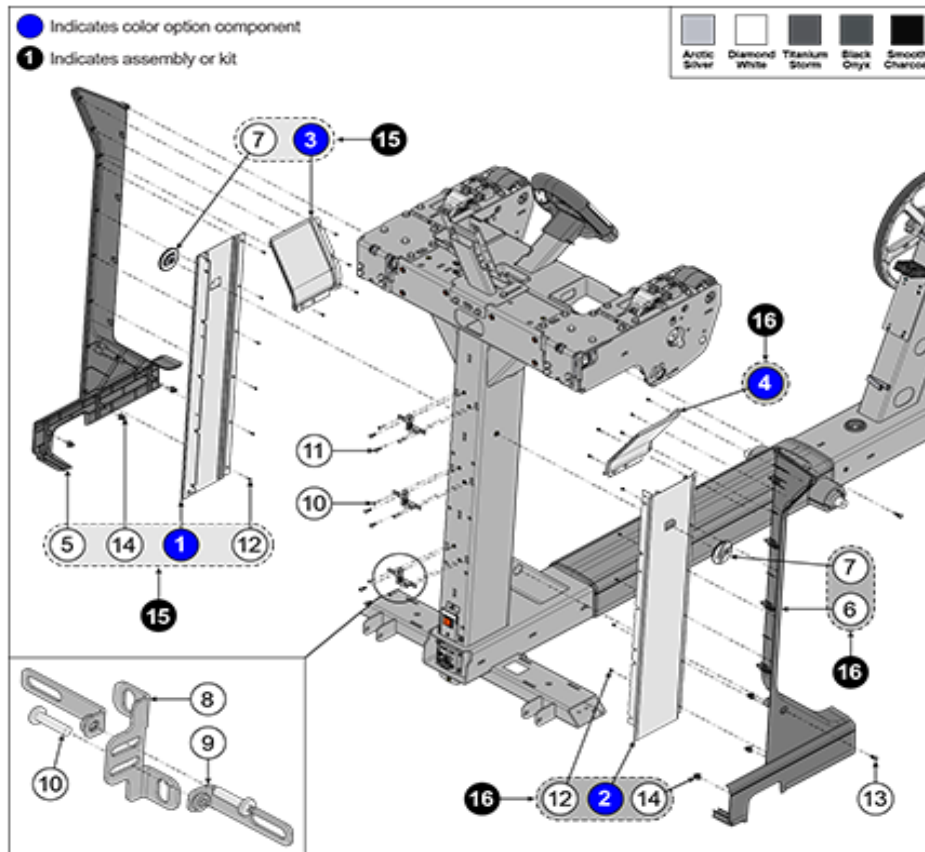
| Ref # | Part Number | Qty | Description |
|-------|-----------------|-----|---|
| 1 | 1026424-0001 | 1 | KIT: LOWER BRIDGE SHROUD REPLACEMENT |
| 2 | 1022116-0001 | 2 | SHROUD: DOOR; CABLE ACCESS |
| 3 | 0017-00101-1989 | 2 | SCREW: M4 X 6G6G X 10, PHL, PAN, ST, ZN |
| 4 | 0017-00101-2138 | 5 | SCREW: M6 X 1.0 X 16, DIN, PHL, PAN, MS, ST, ZB |
| 5 | 1017559-0001 | 4 | SCREW: M4 X 0.7 X 10, PHL, PH, ST, BZ |
| 6 | 1002263-0001 | 2 | CLIP: M9.55 X 16.5, FASTENER, SPRING |

Main Rocker Arm Assemblies



| Ref # | Part Number | Qty | Description |
|-------|-----------------|-----|--|
| 1 | 1022615-2601 | 1 | ASSEMBLY: MAIN ROCKER, LEFT, CHARCOAL GRAY SMOOTH |
| 2 | 1022655-2601 | 1 | ASSEMBLY: MAIN ROCKER, RIGHT, CHARCOAL GRAY SMOOTH |
| 3 | 1022013-0001 | 1 | SHROUD: MAIN ROCKER, LEFT |
| 4 | 1021986-0001 | 1 | SHROUD: MAIN ROCKER, RIGHT |
| 5 | 1022750-0001 | 2 | PLUG: MAIN ROCKER; LOWER JOINT |
| 6 | 1022752-0001 | 2 | SHROUD: RDS JOINT, CENTER |
| 7 | 0017-00101-1989 | 4 | SCREW: M4 X 6G6G X 10, PHL, PAN, ST, ZN |
| 8 | 1005398-0001 | 8 | SCREW: M6 X 1.0 X 16, DIN, HEX, SOC, CS, ST, BO |

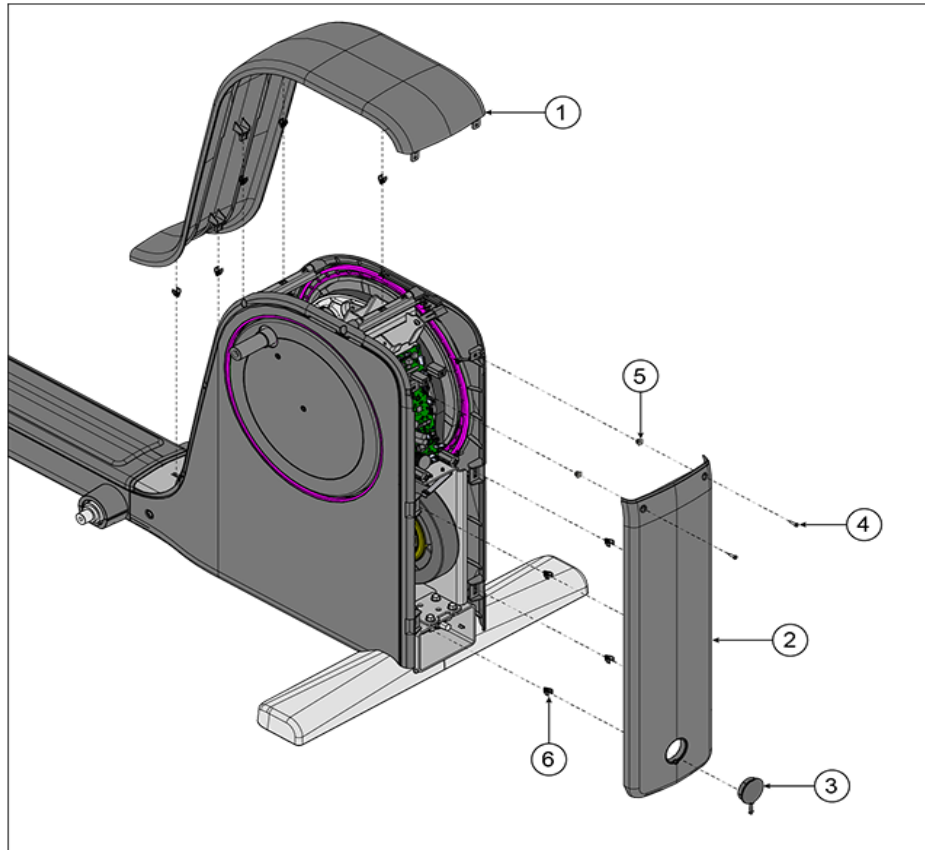
Monocolumn Shrouds and Castings



| Ref # | Part Number | Qty | Description |
|-------|--------------|-----|--|
| 1c | 1025607-2201 | 1 | EXTRUSION ASSY: COVER, MONOCOLUMN, RIGHT, TITANIUM |
| 1e | 1025607-0101 | 1 | EXTRUSION ASSY: COVER, MONOCOLUMN, RIGHT, ARTIC SILVER |
| 1b | 1025607-2301 | 1 | EXTRUSION ASSY: COVER, MONOCOLUMN, RIGHT, BLACK ONYX |
| 1d | 1025607-2101 | 1 | EXTRUSION ASSY: COVER, MONOCOLUMN, RIGHT, PEARLESENT WHITE |
| 1a | 1025607-2601 | 1 | EXTRUSION ASSY: COVER, MONOCOLUMN, RIGHT, SMOOTH CHAR GRAY |
| 2d | 1025608-2101 | 1 | EXTRUSION ASSY: COVER, MONOCOLUMN, LEFT, PEARLESENT WHITE |
| 2e | 1025608-0101 | 1 | EXTRUSION ASSY: COVER, MONOCOLUMN, LEFT, ARTIC SILVER |
| 2b | 1025608-2301 | 1 | EXTRUSION ASSY: COVER, MONOCOLUMN, LEFT, BLACK ONYX |
| 2a | 1025608-2601 | 1 | EXTRUSION ASSY: COVER, MONOCOLUMN, LEFT, SMOOTH CHAR GRAY |
| 2c | 1025608-2201 | 1 | EXTRUSION ASSY: COVER, MONOCOLUMN, LEFT, TITANIUM |
| 3e | 1021676-0101 | 1 | CASTING: MONOCOLUMN, UPPER RIGHT, ARCTIC SILVER |

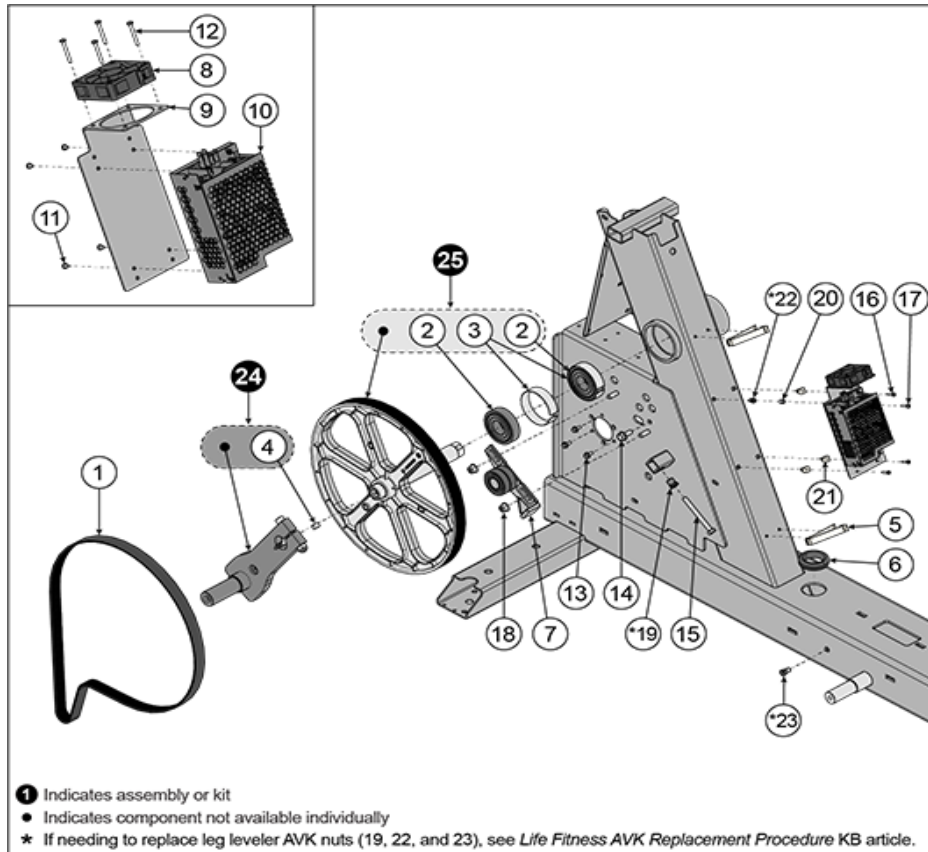
| Ref # | Part Number | Qty | Description |
|-------|-----------------|-----|---|
| 3a | 1021676-2601 | 1 | CASTING: MONOCOLUMN, UPPER RIGHT, SMOOTH CHAR GRAY |
| 3d | 1021676-2101 | 1 | CASTING: MONOCOLUMN, UPPER RIGHT, PEARLESENT WHITE |
| 3c | 1021676-2201 | 1 | CASTING: MONOCOLUMN, UPPER RIGHT, TITANIUM |
| 3b | 1021676-2301 | 1 | CASTING: MONOCOLUMN, UPPER RIGHT, BLACK ONYX |
| 4c | 1021675-2201 | 1 | CASTING: MONOCOLUMN, UPPER LEFT, TITANIUM |
| 4e | 1021675-0101 | 1 | CASTING: MONOCOLUMN, UPPER LEFT, ARCTIC SILVER |
| 4b | 1021675-2301 | 1 | CASTING: MONOCOLUMN, UPPER LEFT, BLACK ONYX |
| 4d | 1021675-2101 | 1 | CASTING: MONOCOLUMN, UPPER LEFT, PEARLESENT WHITE |
| 4a | 1021675-2601 | 1 | CASTING: MONOCOLUMN, UPPER LEFT, SMOOTH CHAR GRAY |
| 5 | 1021680-0001 | 1 | ASSEMBLY: SHROUD: MONOCOLUMN, RIGHT |
| 6 | 1021679-0001 | 1 | ASSEMBLY: SHROUD: MONOCOLUMN, LEFT |
| 7 | 1019548-0001 | 2 | ASSEMBLY: LF LED BUG |
| 8 | 1024738-0001 | 3 | SHEET METAL: MONO TUBE SLIDE |
| 9 | 1024737-0001 | 6 | SHEET METAL ASSY: MONO TUBE L BRACKET |
| 10 | 0017-00101-1874 | 12 | SCREW: M4 X 0.70-6G6G X 16, ISO, PHL, PAN, MS, ST, ZN |
| 11 | 0017-00101-1972 | 6 | SCREW: M5 X 0.8 X 14, PHL, PAN, MS, ST, BZ |
| 12 | 0017-00101-1971 | 20 | SCREW: M3 X 0.5 6G6G X 6, DIN, PHL, PAN, MS, ST, ZN |
| 13 | 0017-00101-2138 | 2 | SCREW: M6 X 1.0 X 16, DIN, PHL, PAN, MS, ST, ZB |
| 14 | 1002263-0001 | 6 | CLIP: M9.55 X 16.5, FASTENER, SPRING |
| 15d | 1026275-2101 | 1 | ASSEMBLY: MONOCOLUMN SHROUD, SYMBIO CROSSTRAINER, RIGHT, PEARLESENT-WHITE |
| 15a | 1026275-2601 | 1 | ASSEMBLY: MONOCOLUMN SHROUD, SYMBIO CROSSTRAINER, RIGHT, MATTE-CHAR-GRAY |
| 15e | 1026275-0101 | 1 | ASSEMBLY: MONOCOLUMN SHROUD, SYMBIO CROSSTRAINER, RIGHT, ARCTIC-SILVER |
| 15b | 1026275-2301 | 1 | ASSEMBLY: MONOCOLUMN SHROUD, SYMBIO CROSSTRAINER, RIGHT, BLACK ONYX |
| 15c | 1026275-2201 | 1 | ASSEMBLY: MONOCOLUMN SHROUD, SYMBIO CROSSTRAINER, RIGHT, TITANIUM |
| 16a | 1026274-2601 | 1 | ASSEMBLY: MONOCOLUMN SHROUD, SYMBIO CROSSTRAINER, LEFT, MATTE-CHAR-GRAY |
| 16e | 1026274-0101 | 1 | ASSEMBLY: MONOCOLUMN SHROUD, SYMBIO CROSSTRAINER, LEFT, ARCTIC-SILVER |
| 16d | 1026274-2101 | 1 | ASSEMBLY: MONOCOLUMN SHROUD, SYMBIO CROSSTRAINER, LEFT, PEARLESENT-WHITE |
| 16c | 1026274-2201 | 1 | ASSEMBLY: MONOCOLUMN SHROUD, SYMBIO CROSSTRAINER, LEFT, TITANIUM |
| 16b | 1026274-2301 | 1 | ASSEMBLY: MONOCOLUMN SHROUD, SYMBIO CROSSTRAINER, LEFT, BLACK ONYX |

Motor Rear and Top Shrouds



| Ref # | Part Number | Qty | Description |
|-------|-----------------|-----|--|
| 1 | 1020834-0001 | 1 | SHROUD ASSY: DRIVE UPPER |
| 2 | 1021670-0001 | 1 | SHROUD ASSY: DRIVE, REAR |
| 3 | 1021065-0001 | 1 | PLUG: MOBILITY ACCESS |
| 4 | 0017-00101-1796 | 2 | SCREW: M4.2 X 0.7 6G6G X 19, DIN, PHL, PAN, AB, ST, ZB |
| 5 | 0017-00042-1147 | 2 | GROMMET: SCREW, 8 OR 10 |
| 6 | 1002263-0001 | 9 | CLIP: M9.55 X 16.5, FASTENER, SPRING |

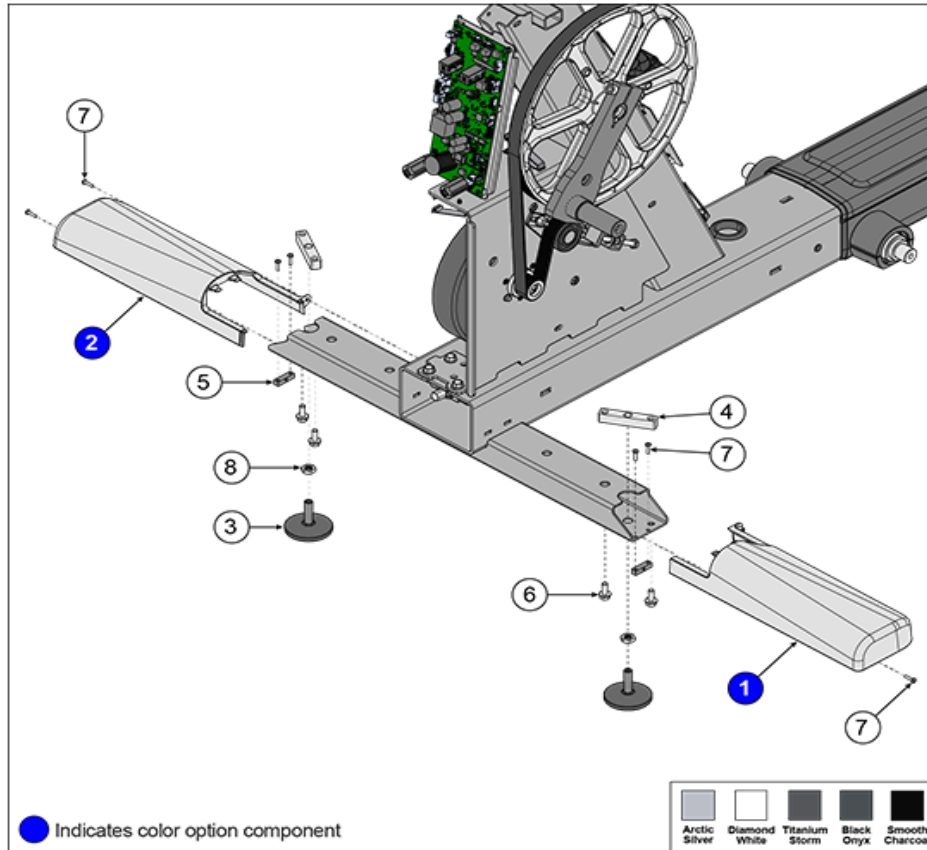
Pulley and Crank Arm



| Ref # | Part Number | Qty | Description |
|-------|-----------------|-----|--|
| 1 | 1002564-0001 | 1 | BELT: POLY-V 550 J10 |
| 2 | 1012808-0001 | 2 | BEARING: M30 X 72, BAL, ST |
| 3 | 1016062-0001 | 2 | RING: 72M, TOLERANCE |
| 4 | 1024969-0001 | 1 | KEY: 7 X 8 |
| 5 | 1022804-0001 | 2 | CLIP: FLAT CLAMP, SNAP-IN, HINGED |
| 6 | 1022345-0001 | 1 | GROMMET: 1-1/2 X 1-3/4 X 9/16, SBR |
| 7 | 1001619-0001 | 1 | ASSEMBLY: IDLER |
| 8 | 1019626-0001 | 1 | FAN: 60MM X 60MM X 20MM, 24VDC |
| 9 | 1020849-0001 | 1 | SHEET METAL ASSY: POWER SUPPLY BRACKET W/ FAN |
| 10 | 1019393-0001 | 1 | POWER SUPPLY: 24V, 250-300W |
| 11 | 1023837-0001 | 4 | SCREW: M3 X 0.5-6H6H X 4, PHL, PAN, CS, ST |
| 12 | 1018311-0001 | 4 | SCREW: M3 X 0.5-6H6H X 25, PHL, PAN, CS, ST. |
| 13 | 0017-00101-2151 | 3 | SCREW: M5 X 0.8 6G6G X 12, FLANGE, HEAD, CS, G5, CD |
| 14 | 0017-00101-2150 | 1 | SCREW: M8 X 1.25 6G6H X 20, UHS, HXW, CS, ST, ZB |
| 15 | 0017-00101-1944 | 1 | SCREW: M8 X 1.25 |
| 16 | 0017-00101-1838 | 3 | SCREW: M3.5 X 1.3 6G6G X 19, PHL, PAN, AB, ST, ZN |
| 17 | 0017-00101-1874 | 1 | SCREW: M4 X 0.70-6G6G X 16, ISO, PHL, PAN, MS, ST, ZN |
| 18 | 1003388-0001 | 2 | NUT: M8 X 1.25-6H, DIN, UNF, HEX, LOCKNUT |
| 19 | 0017-00009-1191 | 1 | INSERT: M8 X 6.6, THREADED, HEX |

| Ref # | Part Number | Qty | Description |
|--------------|--------------------|------------|--|
| 20 | 1013169-0001 | 1 | SPACER: M5.3 X 8 X 7, ALUMINUM |
| 21 | 0017-00042-0821 | 3 | GROMMET: SCREW, #6 |
| 22 | 1022832-0001 | 1 | NUT: M4 X 0.7-6H, RIVET, ST, HALF-HEX SHANK |
| 23 | 0017-00009-1358 | 1 | INSERT: M6 X 6.6, THREADED, HEX |
| 24 | 1026213-0001 | 1 | KIT: DRIVESHAFT AND BEARING REPLACEMENT, SYMBIO CROSSTRAINER |
| 25 | 1026271-0001 | 1 | KIT: CRANKARM REPLACEMENT, SYMBIO CROSSTRAINER |

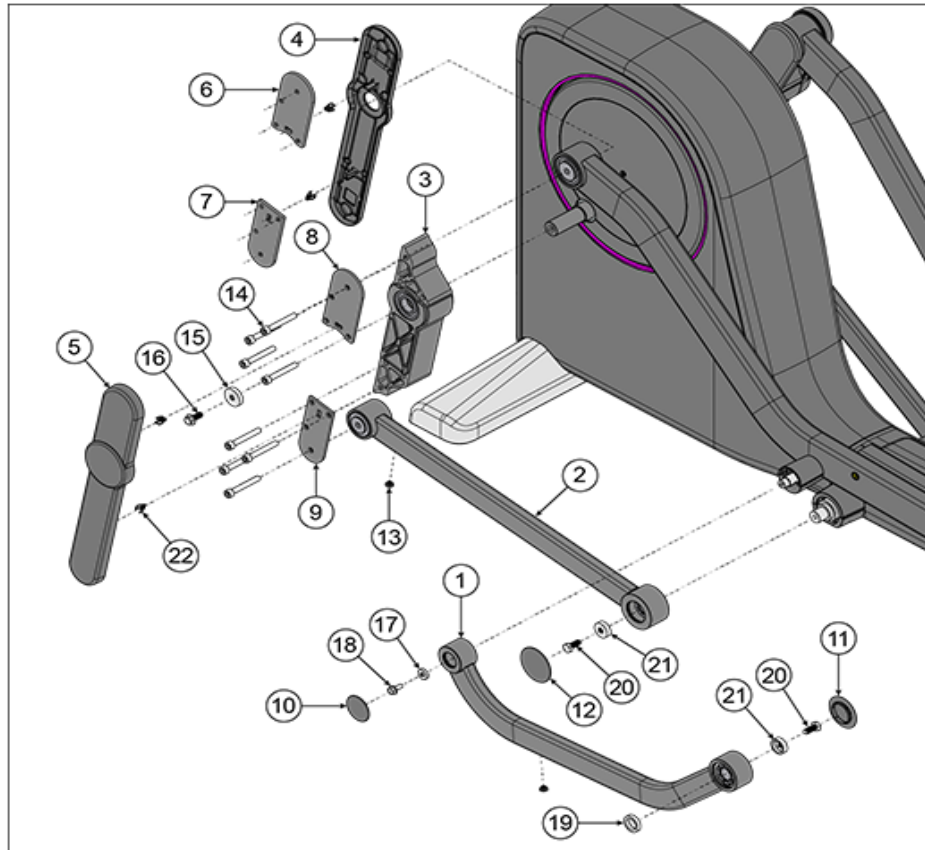
Rear Stabilizer Castings



| Ref # | Part Number | Qty | Description |
|-------|--------------|-----|--|
| 1d | 1021654-2101 | 1 | CASTING ASSY: STABILIZER COVER, REAR RIGHT, PEARLESENT WHITE |
| 1e | 1021654-0101 | 1 | CASTING ASSY: STABILIZER COVER, REAR RIGHT, ARCTIC SILVER |
| 1b | 1021654-2301 | 1 | CASTING ASSY: STABILIZER COVER, REAR RIGHT, BLACK ONYX |
| 1a | 1021654-2601 | 1 | CASTING ASSY: STABILIZER COVER, REAR RIGHT, MATTE CHAR GRAY |
| 1c | 1021654-2201 | 1 | CASTING ASSY: STABILIZER COVER, REAR RIGHT, TITANIUM |
| 2d | 1021101-2101 | 1 | CASTING: STABILIZER COVER; REAR LEFT, PEARLESENT WHITE |
| 2b | 1021101-2301 | 1 | CASTING: STABILIZER COVER; REAR LEFT, BLACK ONYX |
| 2a | 1021101-2601 | 1 | CASTING: STABILIZER COVER; REAR LEFT, SMOOTH CHAR GRAY |
| 2e | 1021101-0101 | 1 | CASTING: STABILIZER COVER; REAR LEFT, ARCTIC SILVER |
| 2c | 1021101-2201 | 1 | CASTING: STABILIZER COVER; REAR LEFT, TITANIUM |
| 3 | 1021522-0001 | 2 | FOOT: LEVELING, M12 X 1.75 THREAD |
| 4 | 1021105-0001 | 2 | BLOCK: LEVELER |
| 5 | 1021957-0001 | 2 | BLOCK: STABILIZER, SHROUD MOUNT |

| Ref # | Part Number | Qty | Description |
|-------|-----------------|-----|---|
| 6 | 0017-00101-2150 | 4 | SCREW: M8 X 1.25 6G6H X 20, UHS, HXW, CS, ST, ZB |
| 7 | 0017-00101-1874 | 7 | SCREW: M4 X 0.70-6G6G X 16, ISO, PHL, PAN, MS, ST, ZN |
| 8 | 1021935-0001 | 2 | NUT: M12 X 1.75-6H JAM, ST |

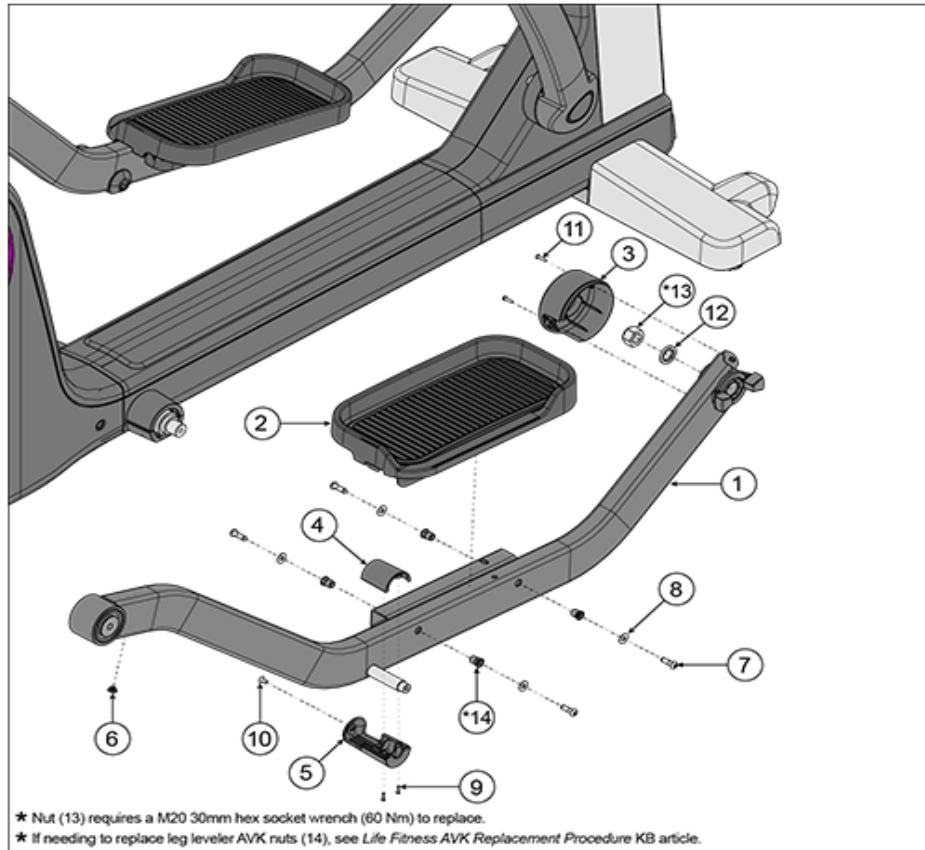
Right Coupler Link and Idler Link Assemblies



| Ref # | Part Number | Qty | Description |
|-------|-----------------|-----|--|
| 1 | 1020341-5301 | 1 | ASSEMBLY: COUPLER LINK, RIGHT, CHARCOAL GRAY SMOOTH ROBUST |
| 2 | 1022796-5301 | 1 | ASSEMBLY: IDLER LINK, RIGHT, CHARCOAL GRAY SMOOTH ROBUST |
| 3 | 1022854-2601 | 1 | ASSEMBLY: STRIDE LINK, RIGHT, CHARCOAL GRAY SMOOTH |
| 4 | 1022920-0001 | 1 | SHROUD ASSY: STRIDE LINK, INNER |
| 5 | 1022909-0001 | 1 | SHROUD ASSY: STRIDE LINK, OUTER |
| 6 | 1022837-0001 | 1 | BRACKET: NUT, STRIDE LINK, UPPER |
| 7 | 1022839-0001 | 1 | BRACKET: NUT, STRIDE LINK, LOWER |
| 8 | 1022840-0001 | 1 | BRACKET: STRIDE LINK, UPPER |
| 9 | 1022841-0001 | 1 | BRACKET: STRIDE LINK, LOWER |
| 10 | 1022314-0001 | 1 | CAP: COUPLER LINK, REAR |
| 11 | 1022773-0001 | 1 | CAP: COUPLER LINK, FRONT |
| 12 | 1022315-0001 | 1 | CAP: IDLER LINK |
| 13 | 1021819-0001 | 2 | PLUG: 9.5MM HOLE |
| 14 | 1021239-0001 | 8 | SCREW: M10 X 1.5-5G6G X 70, HKA, SOC, CS, C12 |
| 15 | 1023262-0001 | 1 | WASHER: M10 X 38.1 X 9, 30MM, SPC, ST |
| 16 | 0017-00101-2135 | 1 | SCREW: M10 X 1.50 6G6H X 25, UNS, FLG, CS, ST, ZB |
| 17 | 1022831-0001 | 1 | WASHER: M8 X 22 X 6, 17MM, SPC, ST |
| 18 | 0017-00101-2150 | 1 | SCREW: M8 X 1.25 6G6H X 20, UHS, HXW, CS, ST, ZB |
| 19 | 1020989-0001 | 1 | WASHER: M25 X 35 X 2.5, SPC, ST |

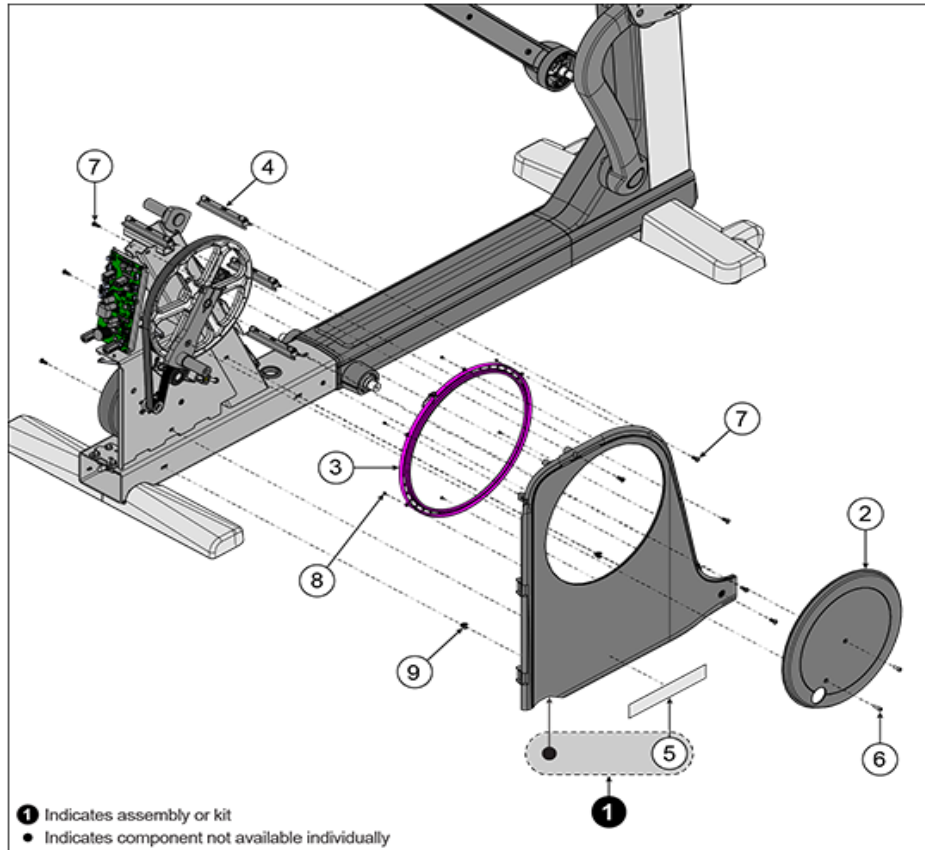
| Ref # | Part Number | Qty | Description |
|--------------|--------------------|------------|--|
| 20 | 1009210-0001 | 2 | SCREW: M10 X 1.5 6G X 25 UNS,HEX CAP,ST ZS,PATCH |
| 21 | 1022781-0001 | 2 | WASHER: M10 X 35 X 11, 25MM, SPC, ST |
| 22 | 1002263-0001 | 4 | CLIP: M9.55 X 16.5, FASTENER, SPRING |

Right Pedal Lever Assembly



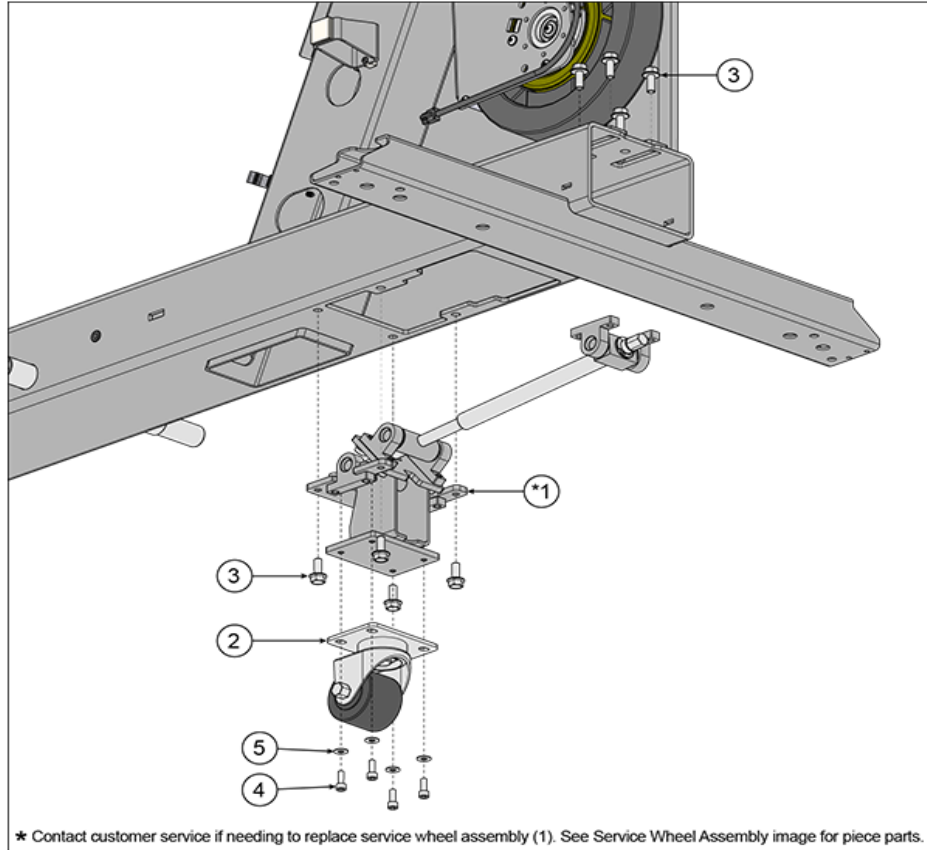
| Ref # | Part Number | Qty | Description |
|-------|-----------------|-----|--|
| 1 | 1022657-5301 | 1 | ASSEMBLY: PEDAL LEVER, RIGHT, W/ HARDWARE, CHARCOAL GRAY SMOOTH ROBUST |
| 2 | 1021536-0001 | 1 | PEDAL: RIGHT, FEATURED |
| 3 | 1022753-0001 | 1 | SHROUD: RDS JOINT, OUTER |
| 4 | 1023183-0001 | 1 | SHROUD ASSY: COUPLER HUB COVER, TOP |
| 5 | 1023184-0001 | 1 | SHROUD: COUPLER HUB COVER, BOTTOM |
| 6 | 1021819-0001 | 1 | PLUG: 9.5MM HOLE |
| 7 | 0017-00101-1929 | 4 | SCREW: M8 X 1.25-6G6G X 25, DIN, HEX, BUT, CS, ST |
| 8 | 0017-00104-0510 | 4 | WASHER: M8.4 X 19 X 1.6, DIN, FLAT, ST, ZB |
| 9 | 1023061-0001 | 2 | SCREW: M3 X 0.5-5G6G X 12, HKA, SOC, CS, ST |
| 10 | 0017-00101-1988 | 1 | SCREW: M6 X 1-6G6G X 12, DIN, SOC, FLT, CS, ST, ZB |
| 11 | 0017-00101-1874 | 2 | SCREW: M4 X 0.70-6G6G X 16, ISO, PHL, PAN, MS, ST, ZN |
| 12 | 1022883-0001 | 1 | WASHER: M20, SHAFT, RDS |
| 13 | 1022938-0001 | 1 | NUT: M20 X 2.5-6H, LCK, ST |
| 14 | 0017-00009-1191 | 4 | INSERT: M8 X 6.6, THREADED, HEX |

Right Side Motor Shroud



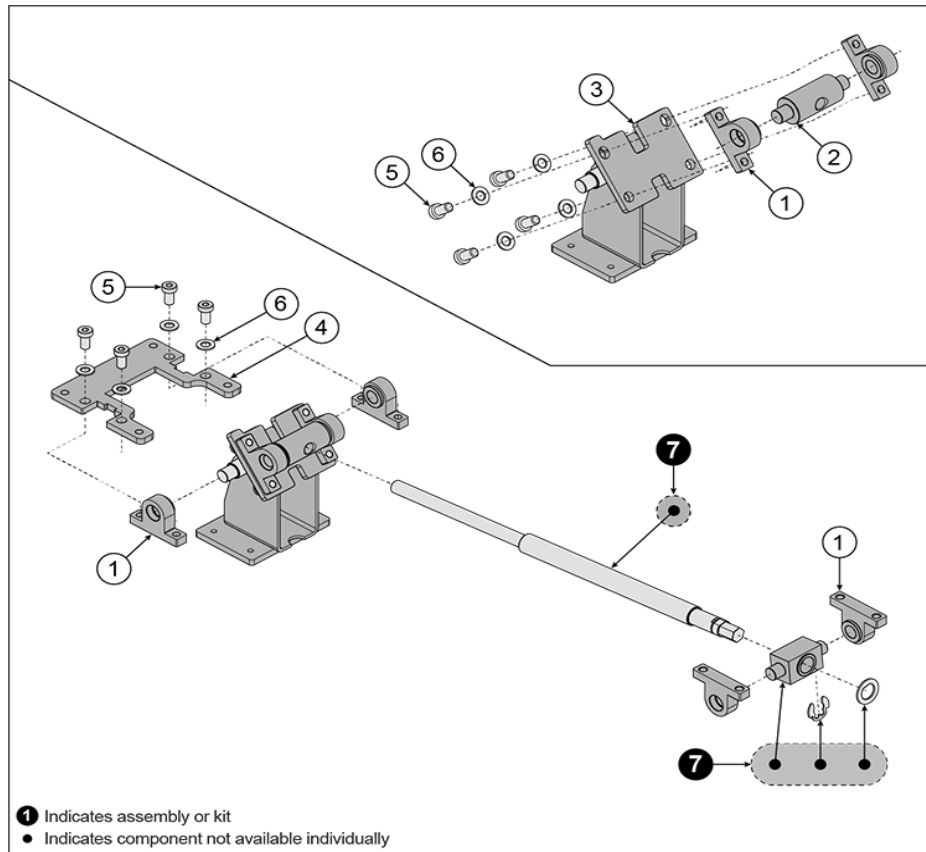
| Ref # | Part Number | Qty | Description |
|-------|-----------------|-----|---|
| 1 | 1026209-0001 | 1 | ASSEMBLY: DRIVE SHROUD WITH DECAL, SYMBIO CROSSTRAINER, RIGHT |
| 2 | 1020745-0001 | 1 | COVER: CRANK ARM |
| 3 | 1022342-0002 | 1 | ASSEMBLY: LIGHT RING, CROSSTRAINER |
| 4 | 1021559-0001 | 4 | ASSEMBLY: STRUT BRACKET |
| 5 | 1020283-0001 | 1 | DECAL: TR EVEREST LIFE FITNESS LOGO |
| 6 | 1005398-0001 | 2 | SCREW: M6 X 1.0 X 16, DIN, HEX, SOC, CS, ST, BO |
| 7 | 0017-00101-2138 | 8 | SCREW: M6 X 1.0 X 16, DIN, PHL, PAN, MS, ST, ZB |
| 8 | 0017-00101-1971 | 6 | SCREW: M3 X 0.5 6G6G X 6, DIN, PHL, PAN, MS, ST, ZN |
| 9 | 1002263-0001 | 2 | CLIP: M9.55 X 16.5, FASTENER, SPRING |

Service Wheel and Castor



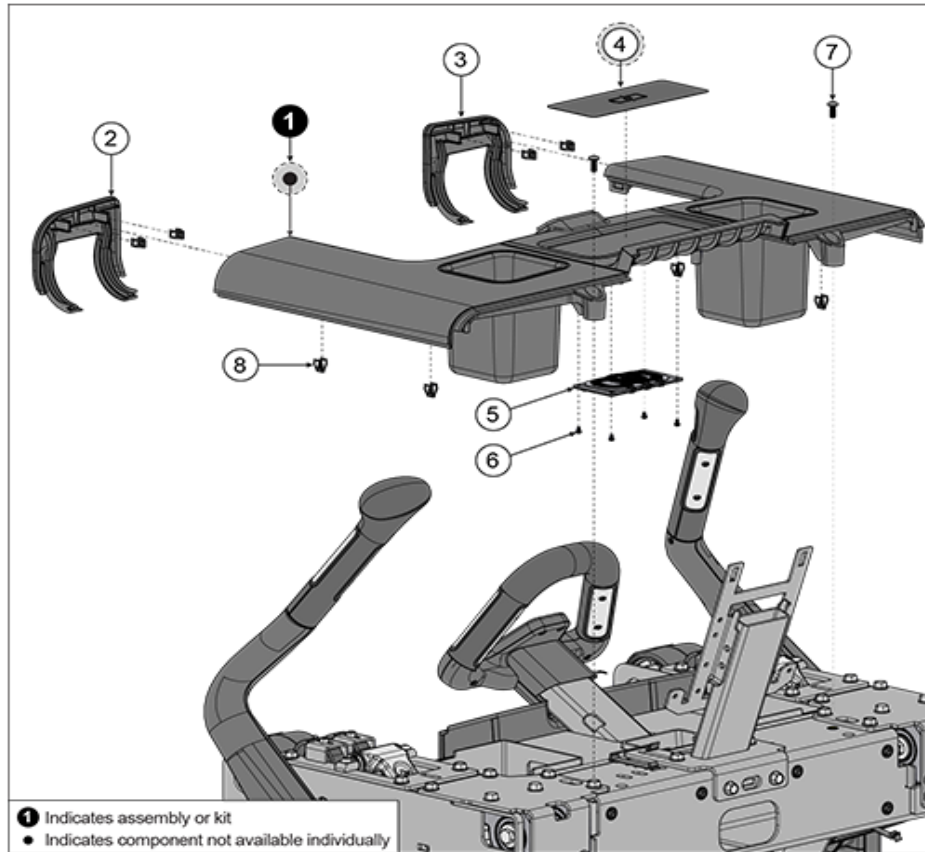
| Ref # | Part Number | Qty | Description |
|-------|-----------------|-----|---|
| 1 | 1021909-0001 | 1 | ASSEMBLY: REAR MOBILITY |
| 2 | 1024133-0001 | 1 | CASTOR: SWIVEL, SERVICE WHEEL, 130 KG MAX LOAD |
| 3 | 1005191-0001 | 8 | SCREW: M8 X 1.25 6G6H X 20, UNS, HXW, CS, ST |
| 4 | 0017-00104-0072 | 4 | WASHER: 0.255 X 0.562 X 0.046, FLAT, ST, ZN |
| 5 | 1005398-0001 | 4 | SCREW: M6 X 1.0 X 16, DIN, HEX, SOC, CS, ST, BO |
| 6 | 1026861-0701 | 1 | SHEET METAL: REAR MOBILITY, SWIVEL CASTER LOCK, BLACK |

Service Wheel Assembly



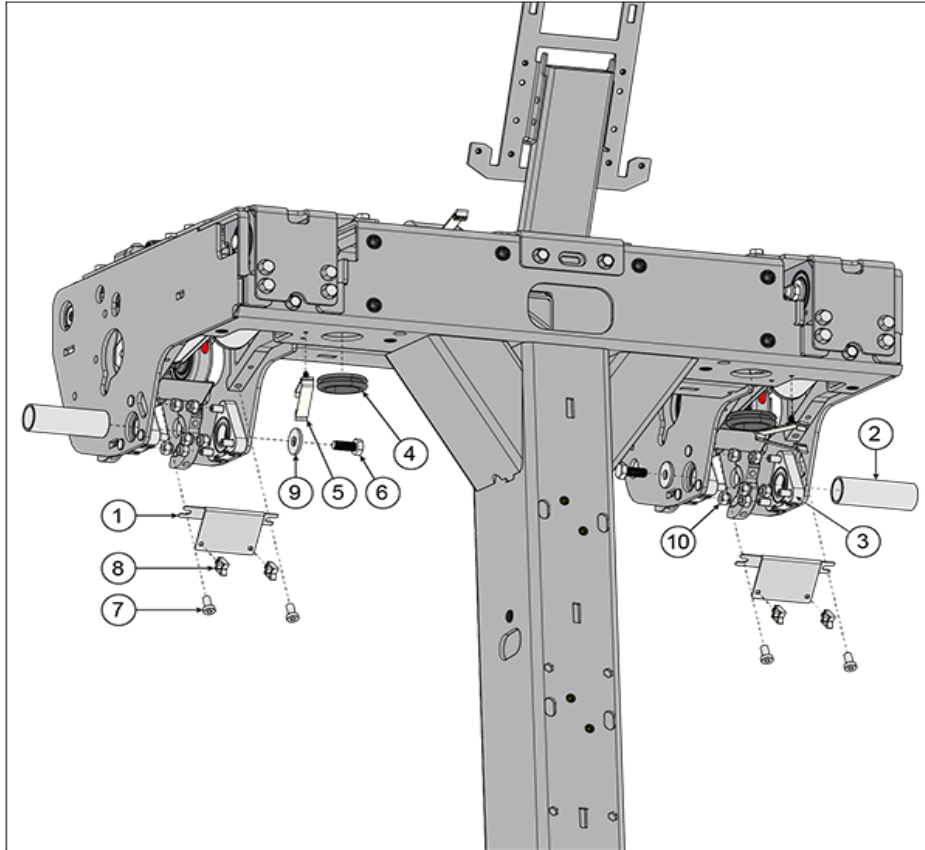
| Ref # | Part Number | Qty | Description |
|-------|-----------------|-----|---|
| 1 | 1025009-0001 | 6 | ASSEMBLY: REAR MOBILITY, PILLOW BLOCK |
| 2 | 1021908-0001 | 1 | SHAFT: REAR MOBILITY, LEAD SCREW NUT |
| 3 | 1023159-0001 | 1 | WELDMENT: REAR MOBILITY, MOUNT |
| 4 | 1021905-0001 | 1 | PLATE: REAR MOBILITY, MOUNTING |
| 5 | 1021564-0001 | 8 | SCREW: M8 X 1.25-6G6G X 16, LOW HD, HKA, SOC, CS, C10 |
| 6 | 0017-00104-0469 | 8 | WASHER: M8.4 X 16.0 X 1.6, DIN, FLAT, ST, ZB |
| 7 | 1027140-0001 | 1 | KIT: REAR MOBILITY DRIVE SHAFT REPLACEMENT |

Top Bridge Shroud



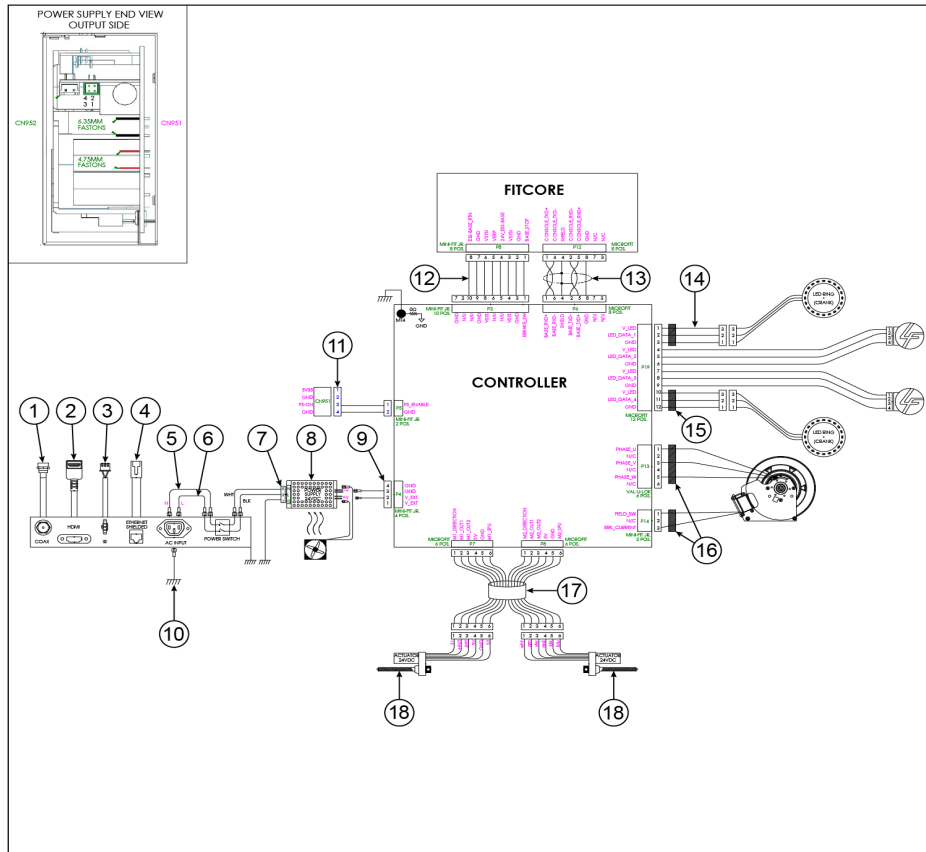
| Ref # | Part Number | Qty | Description |
|-------|-----------------|-----|--|
| 1 | 1026207-0001 | 1 | ASSEMBLY: TOP SHROUD WITH PAD, SYMBIO CROSSTRAINER |
| 2 | 1022230-0001 | 1 | SHROUD ASSY: BRIDGE, ENDCAP, RIGHT |
| 3 | 1022229-0001 | 1 | SHROUD ASSY: BRIDGE, ENDCAP, LEFT |
| 4 | 1022238-0001 | 1 | PAD ASSY: WIRELESS CHARGER |
| 5 | 1011883-0001 | 1 | PCB ASSY: SE4, WIRELESS CHARGER |
| 6 | 0017-00101-2117 | 4 | M3 X .5 X 6 PHL PAN EXT WSHR |
| 7 | 0017-00101-2138 | 2 | SCREW: M6 X 1.0 X 16, DIN, PHL, PAN, MS, ST, ZB |
| 8 | 1002263-0001 | 8 | CLIP: M9.55 X 16.5, FASTENER, SPRING |

Under Bridge Components



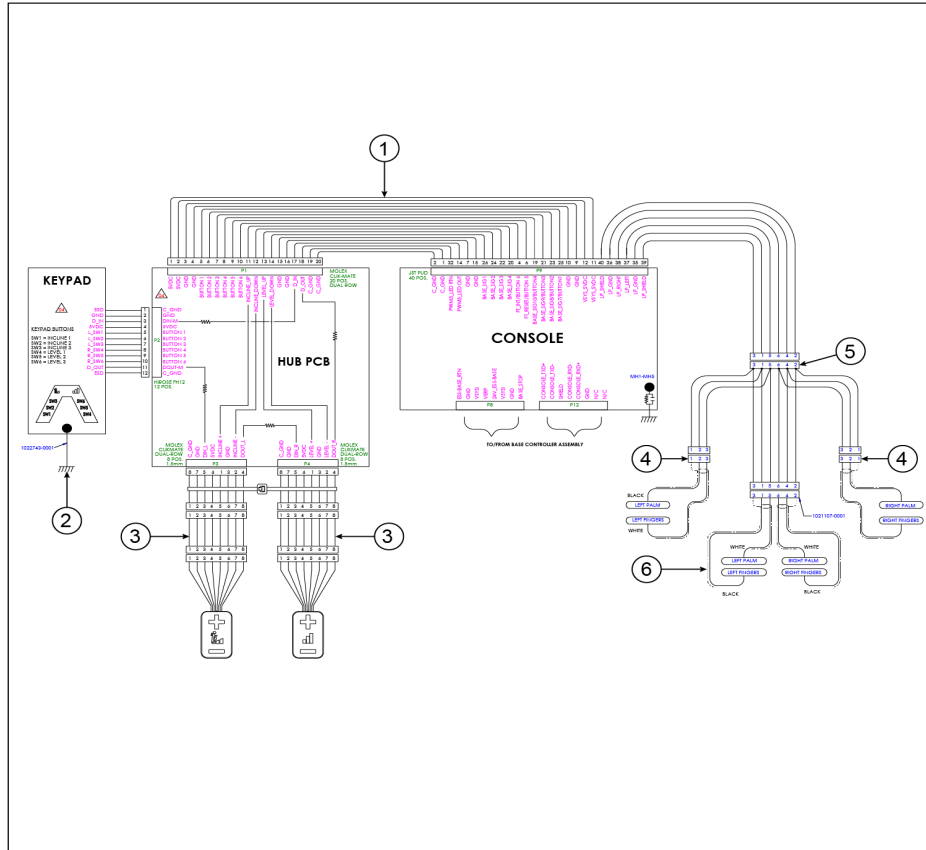
| Ref # | Part Number | Qty | Description |
|-------|-----------------|-----|--|
| 1 | 1022553-0001 | 2 | SHEET METAL: UNDER BRIDGE CABLING BRACKET |
| 2 | 1020937-0001 | 2 | SPACER: M26.2 X 31.75 X 88.41, STD, HANDLEBAR ROCKER |
| 3 | 1020940-0001 | 4 | ASSEMBLY: HANDLEBAR, TRIANGLE BEARING BLOCK |
| 4 | 1022345-0001 | 2 | GROMMET: 1-1/2 X 1-3/4 X 9/16, SBR |
| 5 | 1022804-0001 | 2 | CLIP: FLAT CLAMP, SNAP-IN, HINGED |
| 6 | 1009210-0001 | 2 | SCREW: M10 X 1.5 6G X 25 UNS,HEX CAP,ST ZS,PATCH |
| 7 | 1021564-0001 | 4 | SCREW: M8 X 1.25-6G6G X 16, LOW HD, HKA, SOC, CS, C10 |
| 8 | 1023571-0001 | 4 | CLIP: CABLE HOLDER, PUSH-IN |
| 9 | 1021055-0001 | 2 | WASHER: M10 X 31 X 3, SPC, ST |
| 10 | 0017-00103-0333 | 12 | NUT: M8 X 1.25-6H6H, DIN, LOCKING, ST, ZN |

Wiring Diagram - Base



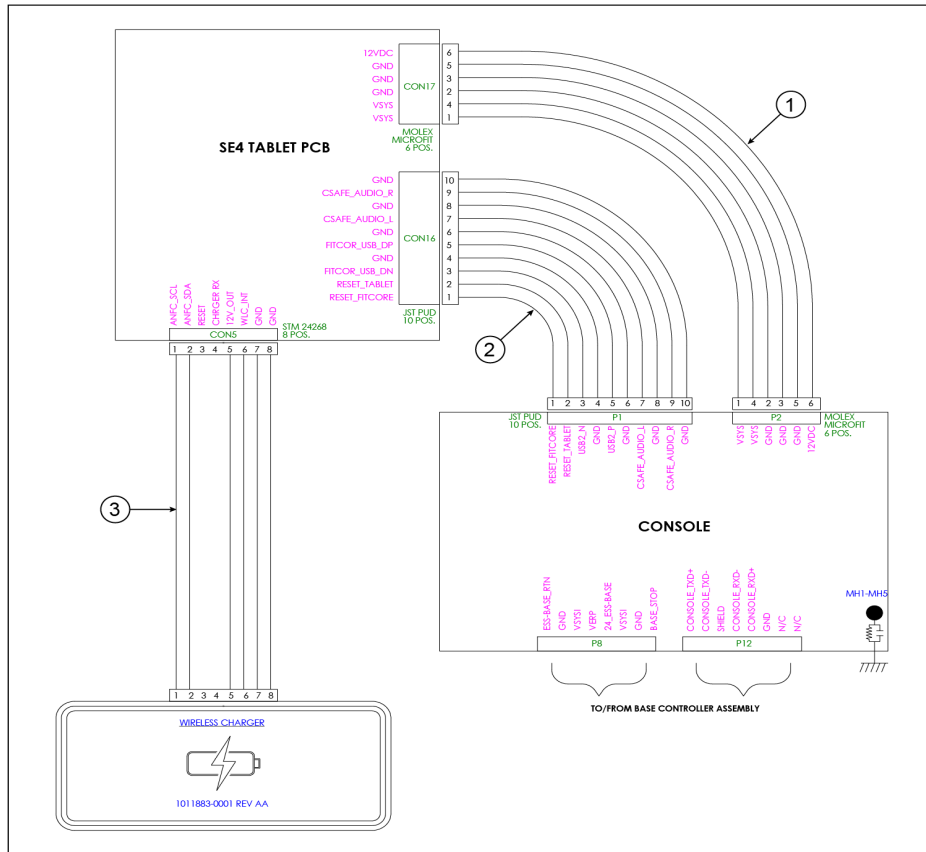
| Ref # | Part Number | Qty | Description |
|-------|-----------------|-----|--|
| 1 | AK65-00062-0002 | 1 | COAX ASSY: RG6; BASE; V2 |
| 2 | 1001653-0003 | 1 | CABLE ASSY: HDMI, PANEL MOUNT, RIGHT, 1700MM |
| 3 | 1001671-0003 | 1 | CABLE: IR, CONSOLE TO PANEL, 1700MM |
| 4 | AK70-00092-0004 | 1 | CABLE ASSY: CAT5E, V2, 63.5 INCH |
| 5 | 1004046-0003 | 1 | CABLE: POWER INPUT, WHITE, 205MM |
| 6 | 1004046-0004 | 1 | CABLE: POWER INPUT, BLACK, 205MM |
| 7 | 1022727-0001 | 1 | CABLE: AC INPUT TO POWER SUPPLY LINECORD |
| 8 | 1019393-0001 | 1 | POWER SUPPLY: 24V, 250-300W |
| 9 | 1022728-0001 | 1 | CABLE: POWER SUPPLY TO PNC |
| 10 | 1022724-0001 | 1 | CABLE: GROUND, 155MM |
| 11 | 1022729-0001 | 1 | CABLE: ERP CABLE TO PNC |
| 12 | 1021196-0005 | 1 | CABLE: CONSOLE TO BASE, POWER, 4030MM |
| 13 | 1020718-0005 | 1 | CABLE: BASE CONSOLE COMM, 4030MM |
| 14 | 1020720-0003 | 1 | CABLE: BASE LIGHTING,CT |
| 15 | 1025101-0001 | 2 | FERRITE: ROUND CABLE (0443164251) 43 CORE |
| 16 | 1024147-0001 | 2 | FERRITE: ROUND CABLE SNAP-IT, 10MHz-100MHz |
| 17 | 1022730-0001 | 1 | CABLE: ACTUATOR EXTENSION CABLE |
| 18 | 1021883-0001 | 2 | ACTUATOR: LINEAR, DC, CUSTOM TA16 |

Wiring Diagram - Base to Console



| Ref # | Part Number | Qty | Description |
|-------|--------------|-----|---|
| 1 | 1022742-0001 | 1 | CABLE: FITCORE TO HUB |
| 2 | 1022743-0001 | 1 | CABLE: GROUNDING BRAID |
| 3 | 1022744-0001 | 2 | CABLE: KEYPAD |
| 4 | 1003871-0003 | 2 | CABLE: LIFE PULSE ELECTRODES, 565MM |
| 5 | 1022747-0001 | 1 | CABLE ASSY: LIFE PULSE ELECTRODE JUNCTION |
| 6 | 1021107-0001 | 1 | CABLE: HR ELECTRODES TO CABLE, 765MM |

Wiring Diagram - Console to Wireless Charger



| Ref # | Part Number | Qty | Description |
|-------|--------------|-----|--|
| 1 | 1014283-0001 | 1 | CABLE: POWER VSYS FITCORE TO TABLET 12-24V |
| 2 | 1014282-0001 | 1 | CABLE: USB RNDIS COMM TABLET & FITCORE |
| 3 | 1014289-0004 | 1 | CABLE ASSY: WIRELESS CHARGER, 12V & UART |

