

# Symbio Incline Elliptical Arctic Silver Base

EVXI-EV24-ASLXE-01

## Parts Manual

3/3/2025 11:50:53 AM



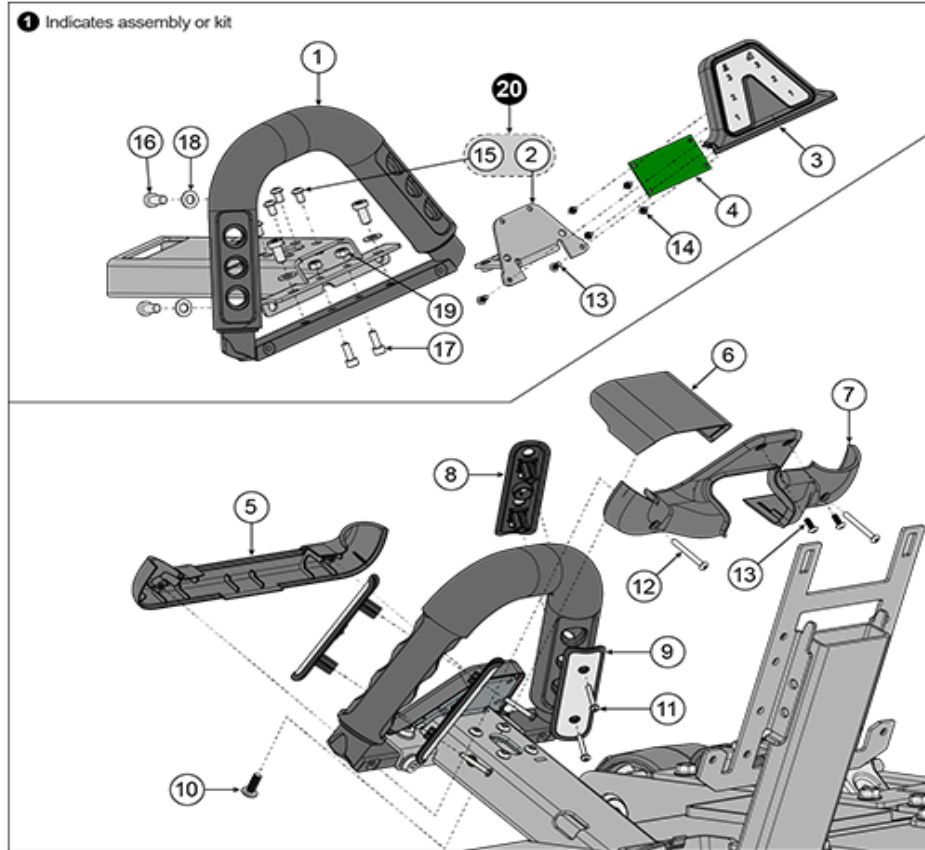
**LifeFitness**  
WHAT WE LIVE FOR

## Table of Contents

---

<a href="#">Activity Zone</a> .....	3
<a href="#">Base Shrouds</a> .....	5
<a href="#">Communication Port</a> .....	6
<a href="#">Console Rear Shroud</a> .....	7
<a href="#">Console Weldment and Bridge Brackets</a> .....	8
<a href="#">DPS Assembly</a> .....	9
<a href="#">Front Shrouds and Casting</a> .....	11
<a href="#">Front Stabilizer Castings</a> .....	12
<a href="#">Generator and Crank Arm</a> .....	14
<a href="#">Handlebar Rocker Assemblies</a> .....	15
<a href="#">Incline Link Shrouds</a> .....	17
<a href="#">Inner and Outer Bridge Shrouds</a> .....	18
<a href="#">Left Coupler Link and Idler Link Assemblies</a> .....	19
<a href="#">Left Pedal Lever Assembly</a> .....	21
<a href="#">Left Side Motor Shroud</a> .....	22
<a href="#">Lower Bridge Shroud</a> .....	23
<a href="#">Main Rocker Arm Assemblies</a> .....	24
<a href="#">Monocolumn Shrouds and Castings</a> .....	25
<a href="#">Motor Rear and Top Shrouds</a> .....	27
<a href="#">Pulley and Crank Arm</a> .....	28
<a href="#">Rear Stabilizer Castings</a> .....	30
<a href="#">Right Coupler Link and Idler Link Assemblies</a> .....	32
<a href="#">Right Pedal Lever Assembly</a> .....	34
<a href="#">Right Side Motor Shroud</a> .....	35
<a href="#">Service Wheel and Castor</a> .....	36
<a href="#">Service Wheel Assembly</a> .....	37
<a href="#">Top Bridge Shroud</a> .....	38
<a href="#">Under Bridge Components</a> .....	39
<a href="#">Wiring Diagram - Base</a> .....	40
<a href="#">Wiring Diagram - Base to Console</a> .....	41
<a href="#">Wiring Diagram - Console to Wireless Charger</a> .....	42

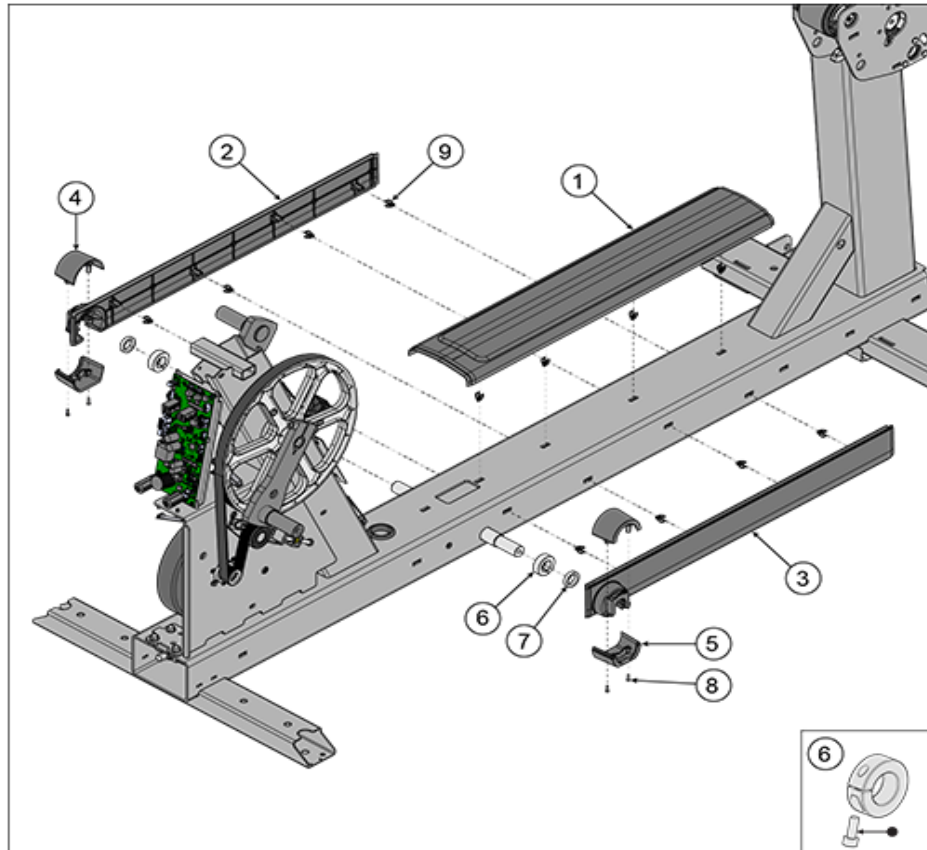
## Activity Zone



Ref #	Part Number	Qty	Description
1	1021645-0001	1	ASSEMBLY: STATIONARY GRIP
			ASSEMBLY: STATIONARY GRIP, ACTIVITY ZONE
2	1023383-0701	1	MOUNT, PEM, BLACK
3	1023364-0001	1	ASSEMBLY: ACTIVITY ZONE, FRONT
4	1020547-0011	1	MAIN PCB ASSY: EVEREST XT HUB
5	1021184-0001	1	SHROUD ASSY: ACTIVITY ZONE, FRONT LOWER
6	1022231-0001	1	ASSEMBLY: SHROUD: BRIDGE TOP; INTERMEDIATE
7	1021183-0001	1	SHROUD: ACTIVITY ZONE, REAR
8	AK69-00139-2404	2	ELECTRODE: INSERT-MOLDED ASSY, 4 INCH, TOP, CHARCOAL GARY
9	AK69-00140-2404	2	ELECTRODE: INSERT-MOLDED ASSY, 4 INCH, BOTTOM, CHARCOAL GRAY
10	0017-00101-2138	1	SCREW: M6 X 1.0 X 16, DIN, PHL, PAN, MS, ST, ZB
11	0017-00101-2054	4	SCREW: 6-19 X 16, PHL, PAN, HLS, ST, ZN
12	1021607-0001	2	SCREW: M4 X 0.7-6G6G X 35, HKA, BUT, MS, C10
13	1024766-0001	4	SCREW: M4 X 0.7-6G6G X 10, HKA, BUT, MS, C10
14	0017-00101-1971	4	SCREW: M3 X 0.5 6G6G X 6, DIN, PHL, PAN, MS, ST, ZN
15	1006331-0001	4	SCREW: M6 X 1.0 X 10, HXS, BUT, CS, ST, BZ
16	1021564-0001	4	SCREW: M8 X 1.25-6G6G X 16, LOW HD, HKA, SOC, CS, C10
17	1005398-0001	2	SCREW: M6 X 1.0 X 16, DIN, HEX, SOC, CS, ST, BO
18	0017-00104-0469	4	WASHER: M8.4 X 16.0 X 1.6, DIN, FLAT, ST, ZB

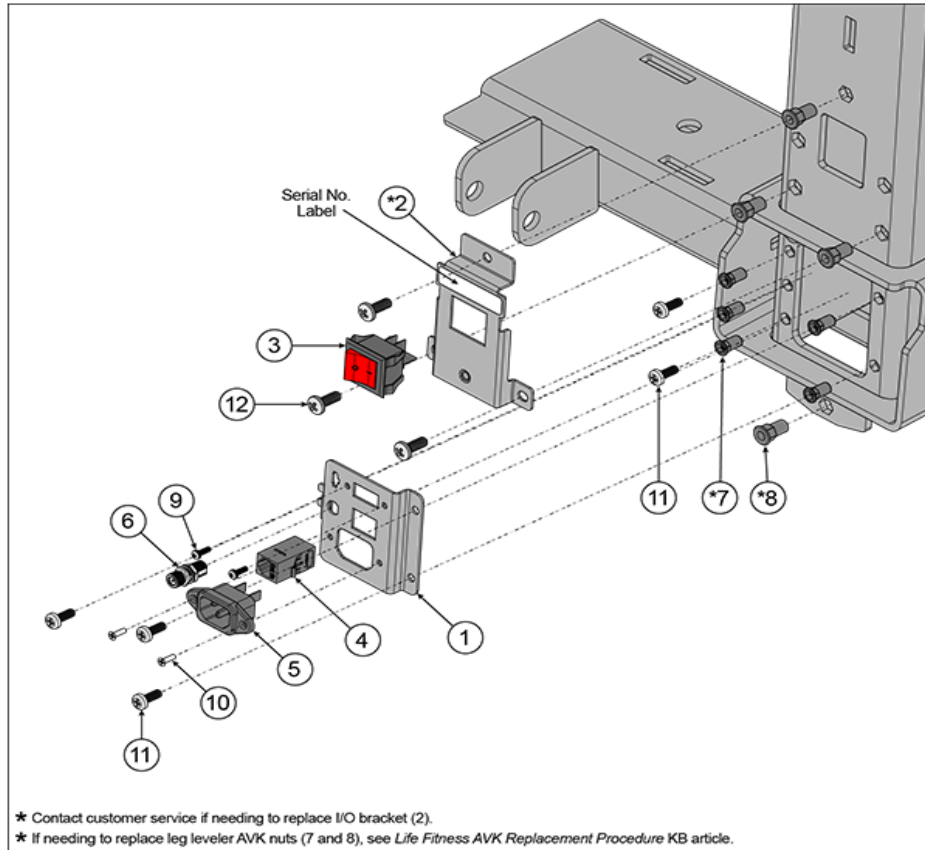
<b>Ref #</b>	<b>Part Number</b>	<b>Qty</b>	<b>Description</b>
19	0017-00103-0378	2	NUT: M6 X 1-6H6H, DIN, LOCKNUT, ST, BZ
20	1026264-0001	1	KIT: ACTIVITY ZONE MOUNT WITH HARDWARE, SYMBIO CROSSTRAINER

## Base Shrouds



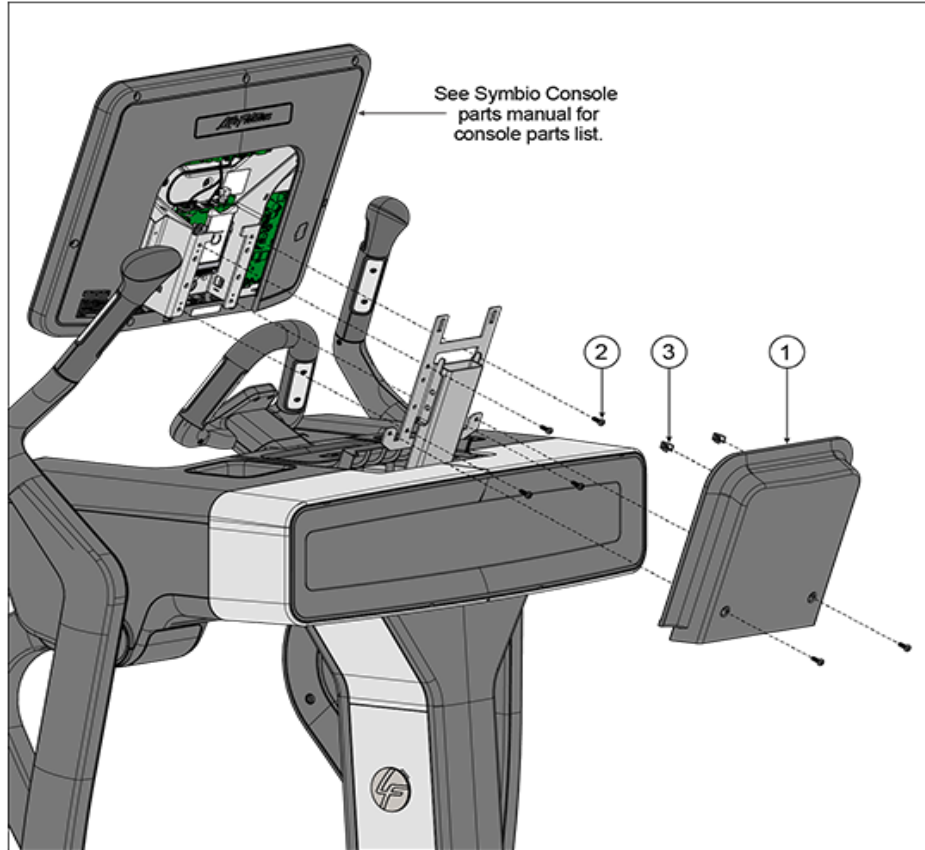
Ref #	Part Number	Qty	Description
1	1021666-0001	1	ASSEMBLY: SHROUD, BASE FRAME, TOP
2	1021667-0001	1	ASSEMBLY: SHROUD, BASE FRAME, LEFT
3	1021668-0001	1	ASSEMBLY: SHROUD, BASE FRAME, RIGHT
4	1023059-0001	2	SHROUD ASSEMBLY: IDLER HUB COVER, TOP
5	1023060-0001	2	SHROUD: IDLER HUB COVER, BOTTOM
6	1019442-0001	2	ASSEMBLY: SHAFT COLLAR, M25
7	1020989-0001	2	WASHER: M25 X 35 X 2.5, SPC, ST
8	1023061-0001	4	SCREW: M3 X 0.5-5G6G X 12, HKA, SOC, CS, ST
9	1002263-0001	12	CLIP: M9.55 X 16.5, FASTENER, SPRING

## Communication Port



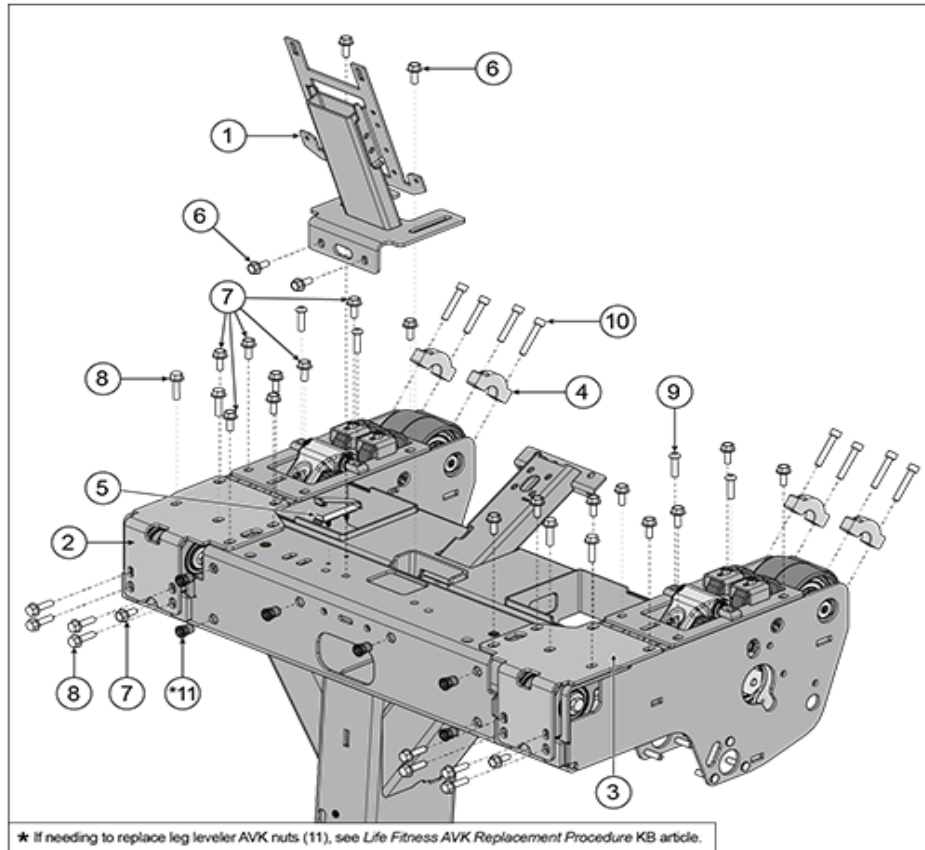
Ref #	Part Number	Qty	Description
1	1025026-0001	1	SHEET METAL: COMPORT
2	1022512-0001	1	SHEET METAL ASSY: POWER SWITCH ASSEMBLY
3	0017-00032-0198	1	SWITCH: POWER, DPST ROCKER
4	0017-00021-3195	1	COUPLER: CAT5E, SHIELDED, RJ45
5	0017-00003-1090	1	RECEPTACLE: IEC, PANEL MOUNT, 15A 250V AC
6	0017-00021-2846	1	CONNECTOR: COAX, PANEL MOUNT
7	1023057-0001	5	INSERT: M5, HALF-HEX SHANK
8	0017-00009-1358	4	INSERT: M6 X 6.6, THREADED, HEX
9	0017-00101-2016	2	SCREW: M3 X 0.5 6G6G X 10, DIN, PHL, PAN, E, MS, ST, ZN
10	1022828-0001	2	SCREW: M3 X 0.5-6h X 10, PHL, FLT, MS, ST
11	0017-00101-1972	5	SCREW: M5 X 0.8 X 14, PHL, PAN, MS, ST, BZ
12	0017-00101-2138	3	SCREW: M6 X 1.0 X 16, DIN, PHL, PAN, MS, ST, ZB

## Console Rear Shroud



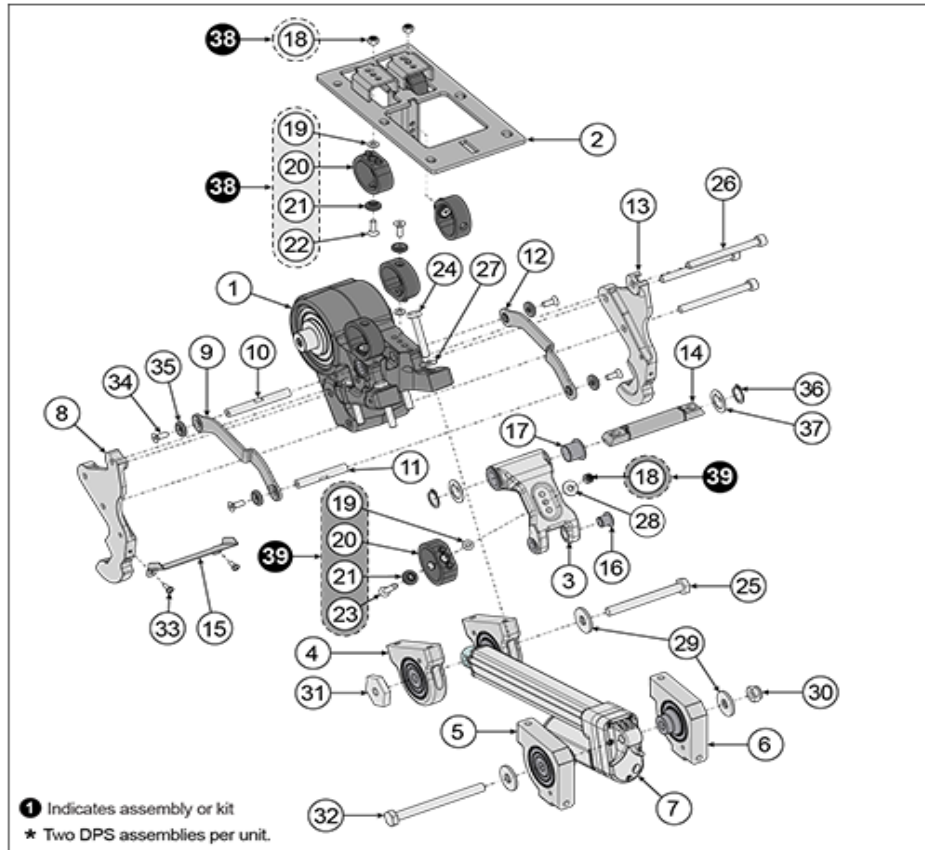
Ref #	Part Number	Qty	Description
1	1022221-0001	1	ASSEMBLY: SHROUD: CONSOLE, REAR
2	0017-00101-1972	6	SCREW: M5 X 0.8 X 14, PHL, PAN, MS, ST, BZ
3	1002263-0001	2	CLIP: M9.55 X 16.5, FASTENER, SPRING

## Console Weldment and Bridge Brackets



Ref #	Part Number	Qty	Description
1	1022218-0701	1	WELDMENT: CONSOLE MOUNT, L-BRACKET, BLACK
2	1021859-0701	1	SHEET METAL: RIGHT, BRACKET, ACTUATOR TRUNNION, BLACK
3	1021858-0701	1	SHEET METAL: LEFT, BRACKET, ACTUATOR TRUNNION, BLACK
4	1020974-0001	4	BLOCK: CLAMP, SHAFT, INCLINE LINK
5	1022804-0001	1	CLIP: FLAT CLAMP, SNAP-IN, HINGED
6	0017-00101-2150	4	SCREW: M8 X 1.25 6G6H X 20, UHS, HXW, CS, ST, ZB
7	1005191-0001	16	SCREW: M8 X 1.25 6G6H X 20, UNS, HXW, CS, ST
8	0017-00101-2130	12	SCREW: M8 X 1.25-6G6H X 30, UNS, HXW, CS, ST, ZB
9	1024621-0001	4	SCREW: M8 X 1.25-6G X 30, HKA, BUT, CS, ST
10	1017155-0001	8	SCREW: M8 X 1.25-6G6G X 45, HKA, SOC, CS, ST, ZC
11	1019826-0001	6	INSERT: M8 X 7.9, THREADED, HEX

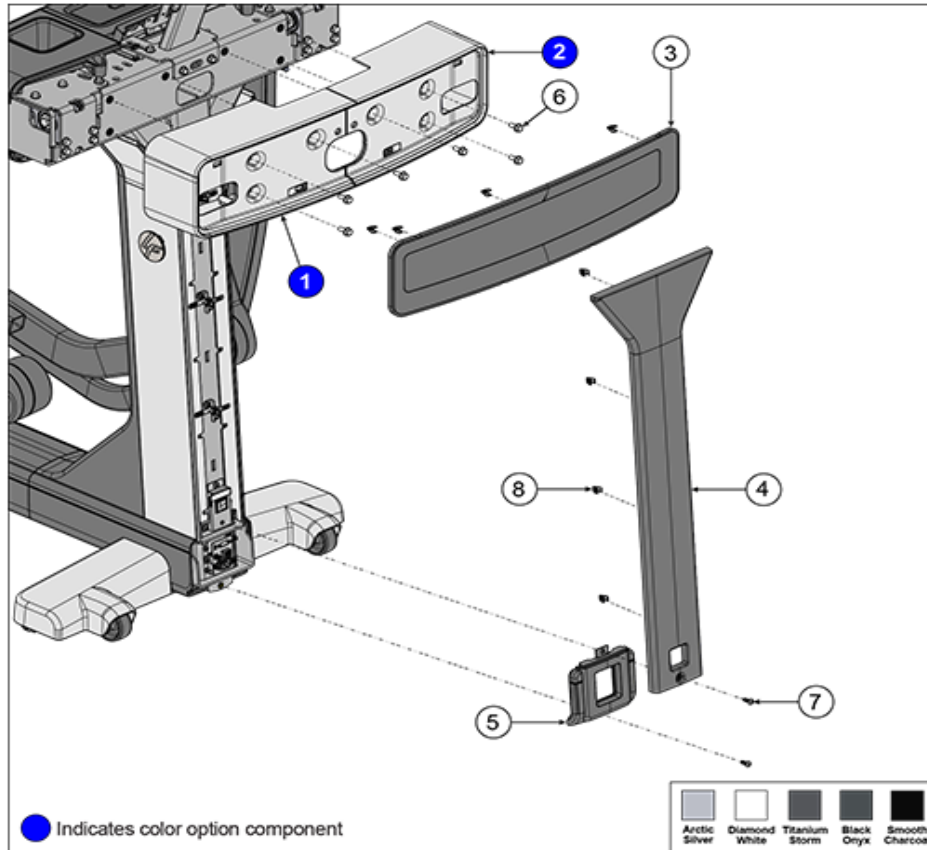
## DPS Assembly



Ref #	Part Number	Qty	Description
1	1022632-2601	2	ASSEMBLY: INCLINE LINK, CHARCOAL GRAY SMOOTH
2	1024370-0001	2	WELDMENT: BRACKET, DPS
3	1024364-0001	2	ASSEMBLY: SPRING ARM, BUSHINGS
4	1021811-0001	4	ASSEMBLY: BEARING BLOCK, ACTUATOR PUSH TUBE
5	1021860-0001	2	ASSEMBLY: BLOCK, ACTUATOR TRUNNION, LEFT
6	1024923-0001	2	ASSEMBLY: BLOCK, ACTUATOR TRUNNION, RIGHT
7	1021883-0001	2	ACTUATOR: LINEAR, DC, CUSTOM TA16
8	1022636-0001	2	BRACKET: INCLINE LINK, THREADED SIDE
9	1023807-0001	2	ASSEMBLY: LINK, CONNECTING, RIGHT
10	1023775-0001	2	SHAFT: PRE-LOAD, INCLINE LINK
11	1023771-0001	2	SHAFT: PRE-LOAD, SPRING ARM
12	1023806-0001	2	ASSEMBLY: LINK, CONNECTING, LEFT
13	1022634-0001	2	BRACKET: INCLINE LINK, C-BORE SIDE
14	1023597-0001	2	SHAFT: SPRING ARM
15	1021578-0001	1	BRACKET: INCLINE LINK
16	1023802-0001	4	BUSHING: M8 X 10 X 10, FLG, DE
17	1023803-0001	4	BUSHING: M18 X 20 X 17, FLG, DE
18	0017-00103-0378	6	NUT: M6 X 1-6H6H, DIN, LOCKNUT, ST, BZ
19	1024484-0001	10	WASHER: M6 X 12 X 1, FL, ST
20	1024354-0001	10	SPRING: ELASTOMER, DPS
21	1024479-0001	10	SPACER: FLANGED, COUNTERSINK
22	1025000-0001	8	SCREW: M6 X 1.0-6G X 18, HKA, FLT, CS, ST

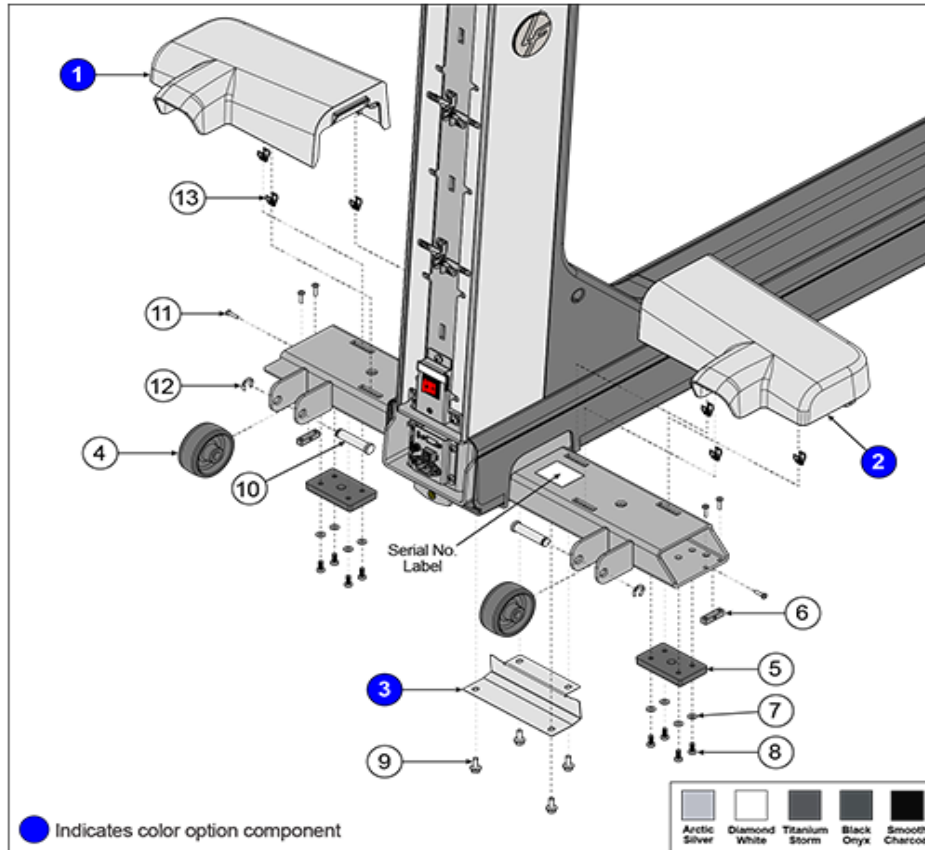
Ref #	Part Number	Qty	Description
23	1024999-0001	2	SCREW: M6 X 1.0-6G X 30, HKA, FLT, CS, ST
24	1023674-0001	8	SCREW: M8 X 1.25-6G6G X 50, DIN, UNS, HEX, CS, ST, ZN
25	1021092-0001	2	SCREW: M10 X 1.5-6G6G X 95, HXS, HEX, CS, C10
26	1021058-0001	3	SCREW: M8 X 1.25-6G6G X 90, HKA, SOC, CS, C12
27	0017-00104-0510	8	WASHER: M8.4 X 19 X 1.6, DIN, FLAT, ST, ZB
28	1023808-0001	2	WASHER: M6 X 18 X 1.6, FL, ST
29	1021055-0001	3	WASHER: M10 X 31 X 3, SPC, ST
30	0017-00103-0334	2	NUT: M10 X 1.50-6H6H, DIN, LOCKNUT, ST, ZB
31	1021085-0001	2	NUT: M10 X 1.5-6H, SHOULDER, SPC, ST
32	1021091-0001	2	SCREW: M10 X 1.5-6G6G X 115, HXS, HEX, CS, C10
33	0017-00101-1989	4	SCREW: M4 X 6G6G X 10, PHL, PAN, ST, ZN
34	1024622-0001	8	SCREW: M6 X 1.0-6G X 16, HKA, FLT, CS, ST
35	1024531-0001	8	WASHER: M6, COUNTERSUNK, DPS
36	1023815-0001	4	RING: M18, BRE, ST
37	1023810-0001	4	WASHER: M18 X 28 X 1, SPC, ST
38	1026279-0001	1	KIT: DPS SPRING REPLACEMENT
39	1026280-0001	1	KIT: DPS ARM SPRING REPLACEMENT

## Front Shrouds and Casting



Ref #	Part Number	Qty	Description
1b	1022067-2301	1	CASTING: BRIDGE RING, RIGHT, BLACK ONYX
1a	1022067-2601	1	CASTING: BRIDGE RING, RIGHT, SMOOTH CHAR GRAY
1c	1022067-2201	1	CASTING: BRIDGE RING, RIGHT, TITANIUM
1d	1022067-2101	1	CASTING: BRIDGE RING, RIGHT, PEARLESENT WHITE
1e	1022067-0101	1	CASTING: BRIDGE RING, RIGHT, ARCTIC SILVER
2b	1021579-2301	1	CASTING: BRIDGE RING, LEFT, BLACK ONYX
2e	1021579-0101	1	CASTING: BRIDGE RING, LEFT, ARCTIC SILVER
2c	1021579-2201	1	CASTING: BRIDGE RING, LEFT, TITANIUM
2a	1021579-2601	1	CASTING: BRIDGE RING, LEFT, SMOOTH CHAR GRAY
2d	1021579-2101	1	CASTING: BRIDGE RING, LEFT, PEARLESENT WHITE
3	1022222-0001	1	ASSEMBLY: SHROUD: BRIDGE; FRONT
4	1021677-0001	1	SHROUD ASSY: MONOCOLUMN, FRONT
5	1021475-0001	1	SHROUD: COMM PANEL
6	0017-00101-2150	6	SCREW: M8 X 1.25 6G6H X 20, UHS, HXW, CS, ST, ZB
7	0017-00101-2138	2	SCREW: M6 X 1.0 X 16, DIN, PHL, PAN, MS, ST, ZB
8	1002263-0001	8	CLIP: M9.55 X 16.5, FASTENER, SPRING

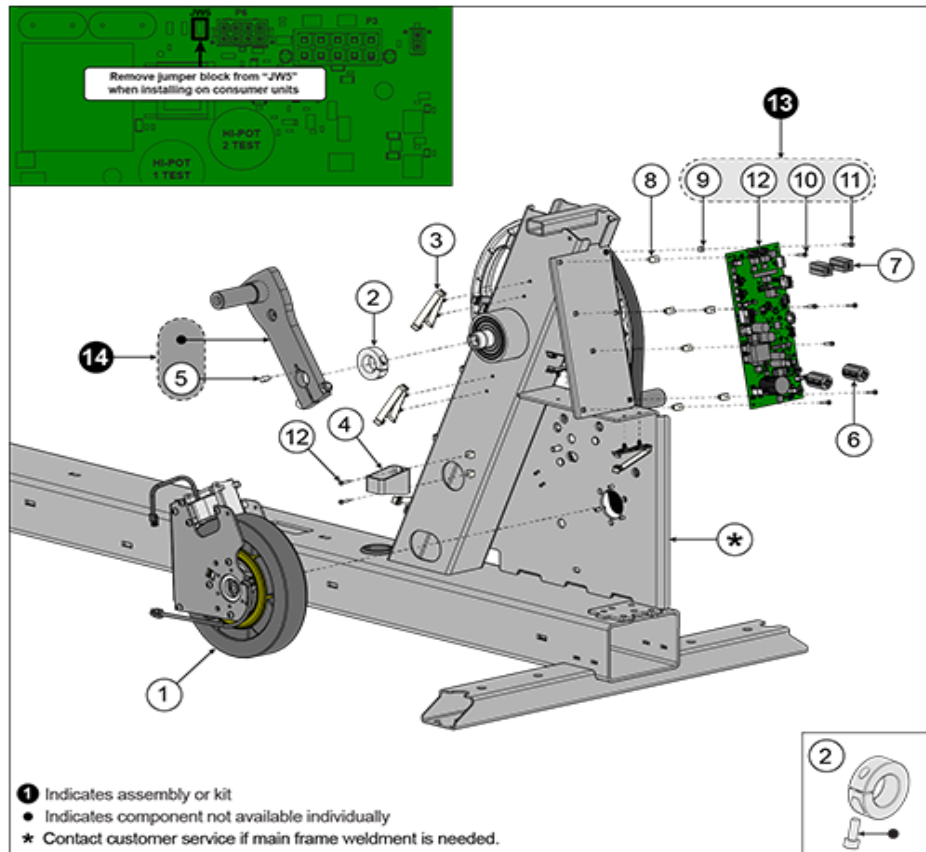
## Front Stabilizer Castings



Ref #	Part Number	Qty	Description
1e	1021653-0101	1	CASTING ASSY: STABILZER COVER, FRONT RIGHT, ARCTIC SILVER
1d	1021653-2101	1	CASTING ASSY: STABILZER COVER, FRONT RIGHT, PEARLESENT WHITE
1b	1021653-2301	1	CASTING ASSY: STABILZER COVER, FRONT RIGHT, BLACK ONYX
1c	1021653-2201	1	CASTING ASSY: STABILZER COVER, FRONT RIGHT, TITANIUM
1a	1021653-2601	1	CASTING ASSY: STABILZER COVER, FRONT RIGHT, MATTE CHAR GRAY
2b	1021652-2301	1	CASTING ASSY: STABILZER COVER, FRONT LEFT, BLACK ONYX
2c	1021652-2201	1	CASTING ASSY: STABILZER COVER, FRONT LEFT, TITANIUM
2e	1021652-0101	1	CASTING ASSY: STABILZER COVER, FRONT LEFT, ARCTIC SILVER
2a	1021652-2601	1	CASTING ASSY: STABILZER COVER, FRONT LEFT, MATTE CHAR GRAY
2d	1021652-2101	1	CASTING ASSY: STABILZER COVER, FRONT LEFT, PEARLESENT WHITE
3a	1022086-7301	1	BRACKET: FRONT STABILIZER FILLER, METTALIC BLACK

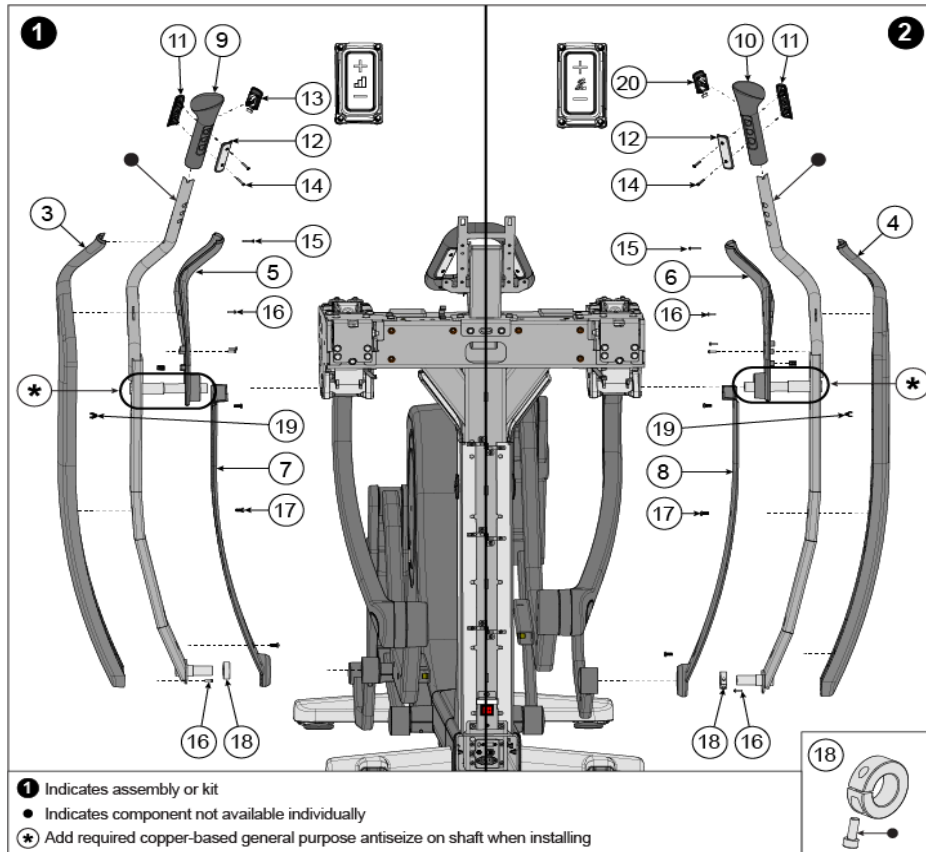
Ref #	Part Number	Qty	Description
3e	1022086-5101	1	BRACKET: FRONT STABILIZER FILLER, ARCTIC SILVER
3d	1022086-5301	1	BRACKET: FRONT STABILIZER FILLER, SMOOTH CHAR GRAY
3c	1022086-7101	1	BRACKET: FRONT STABILIZER FILLER, PEARESCENT WHITE
3b	1022086-7201	1	BRACKET: FRONT STABILIZER FILLER, TITANIUM
4	0K60-01020-0000	2	WHEEL: LIFT-ARM
5	7810801	2	PAD: FOOT, RUBBER
6	1021957-0001	2	BLOCK: STABILIZER, SHROUD MOUNT
7	1024484-0001	8	WASHER: M6 X 12 X 1, FL, ST
8	0017-00101-1972	8	SCREW: M5 X 0.8 X 14, PHL, PAN, MS, ST, BZ
9	1003368-0001	4	SCREW: M6 X 1.0 X 16, DIN, UNS, HXW, CS, ST, ZB
10	1021145-0001	2	SHAFT: M12.7, WHEEL
11	0017-00101-1874	6	SCREW: M4 X 0.70-6G6G X 16, ISO, PHL, PAN, MS, ST, ZN
12	1021146-0001	2	E-RING: M11-15, SHAFT
13	1002263-0001	6	CLIP: M9.55 X 16.5, FASTENER, SPRING

## Generator and Crank Arm



Ref #	Part Number	Qty	Description
1	1003401-0001	1	GENERATOR: W/BRAKE, W/O CLUTCH, 10 RIB PULLEY
2	0K69-01018-0000	1	COLLAR: 30 MM ID, SHAFT
3	1022804-0001	3	CLIP: FLAT CLAMP, SNAP-IN, HINGED
4	1023108-0701	1	TUBE: STANDOFF, REAR SHROUD LEFT, BLACK
5	1024969-0001	1	KEY: 7 X 8
6	1024147-0001	2	FERRITE: ROUND CABLE SNAP-IT, 10MHz-100MHz
7	1022832-0001	2	NUT: M4 X 0.7-6H, RIVET, ST, HALF-HEX SHANK
8	0017-00042-0821	6	GROMMET: SCREW, #6
9	1013169-0001	1	SPACER: M5.3 X 8 X 7, ALUMINUM
10	0017-00101-1838	6	SCREW: M3.5 X 1.3 6G6G X 19, PHL, PAN, AB, ST, ZN SCREW: M4 X 0.70-6G6G X 16, ISO, PHL, PAN, MS, ST, ZN
11	0017-00101-1874	1	
12	1017804-0014	1	PNC CROSSTRAINER
13	1026277-0001	1	KIT: PNC BOARD REPLACEMENT, SYMBIO CROSSTRAINER
14	1026271-0001	1	KIT: CRANKARM REPLACEMENT, SYMBIO CROSSTRAINER

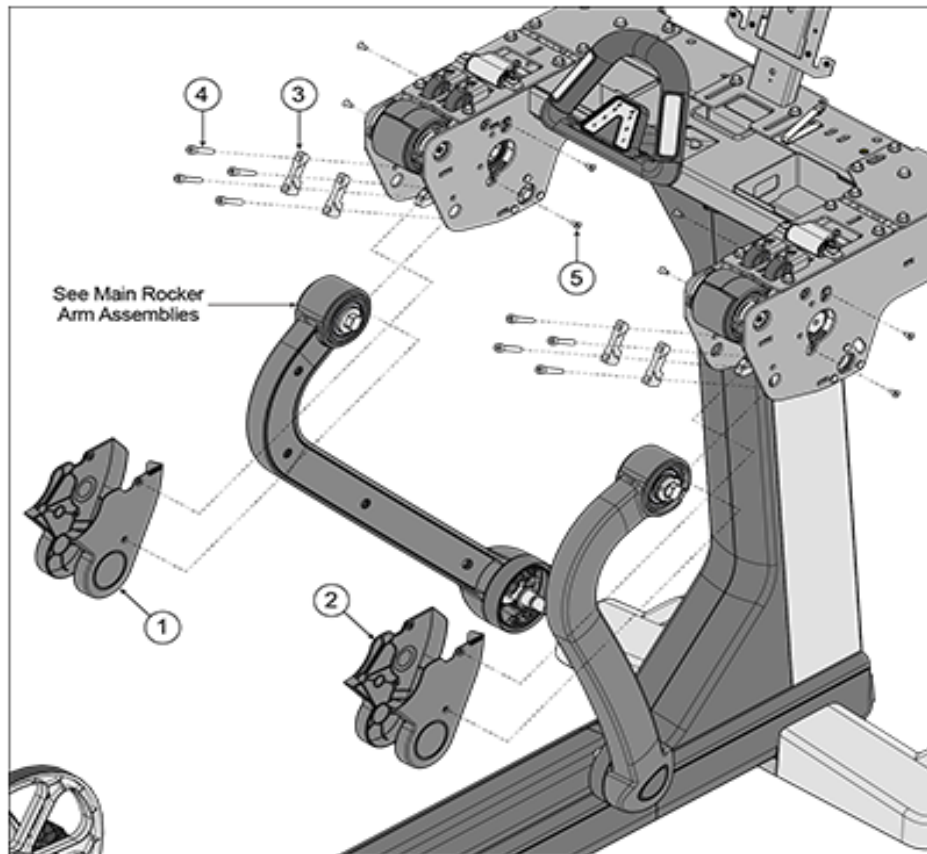
## Handlebar Rocker Assemblies



Ref #	Part Number	Qty	Description
1	1026291-0001	1	KIT: HANDLEBAR ROCKER ASSEMBLY REPLACEMENT, RIGHT
2	1026301-0001	1	KIT: HANDLEBAR ROCKER ASSEMBLY REPLACEMENT, LEFT
3	1023162-0001	1	ASSEMBLY: SHROUD, HBAR ROCKER, OUTER, RIGHT
4	1023161-0001	1	ASSEMBLY: SHROUD, HBAR ROCKER, OUTER, LEFT
5	1022734-0001	1	ASSEMBLY: SHROUD, HBAR ROCKER, INNER, UPPER, RIGHT
6	1022733-0001	1	ASSEMBLY: SHROUD, HBAR ROCKER, INNER UPPER, LEFT
7	1022594-0001	1	SHROUD: HBAR ROCKER, INNER, LOWER, RIGHT
8	1021946-0001	1	SHROUD: HBAR ROCKER, INNER, LOWER, LEFT
9	1021420-0001	1	GRIP: MOLDED ASSY, RIGHT
10	1021420-0002	1	GRIP: MOLDED ASSY, LEFT
11	AK69-00139-2404	2	ELECTRODE: INSERT-MOLDED ASSY, 4 INCH, TOP, CHARCOAL GRAY
12	AK69-00140-2404	2	ELECTRODE: INSERT-MOLDED ASSY, 4 INCH, BOTTOM, CHARCOAL GRAY
13	1021421-0001	1	ASSEMBLY: KEYPAD BEZEL, RESISTANCE
14	0017-00101-2054	4	SCREW: 6-19 X 16, PHL, PAN, HLS, ST, ZN
15	1023354-0001	2	SCREW: 6-19 X 16, PHL, PAN, PLT, ST
16	0017-00101-1874	8	SCREW: M4 X 0.70-6G6G X 16, ISO, PHL, PAN, MS, ST,

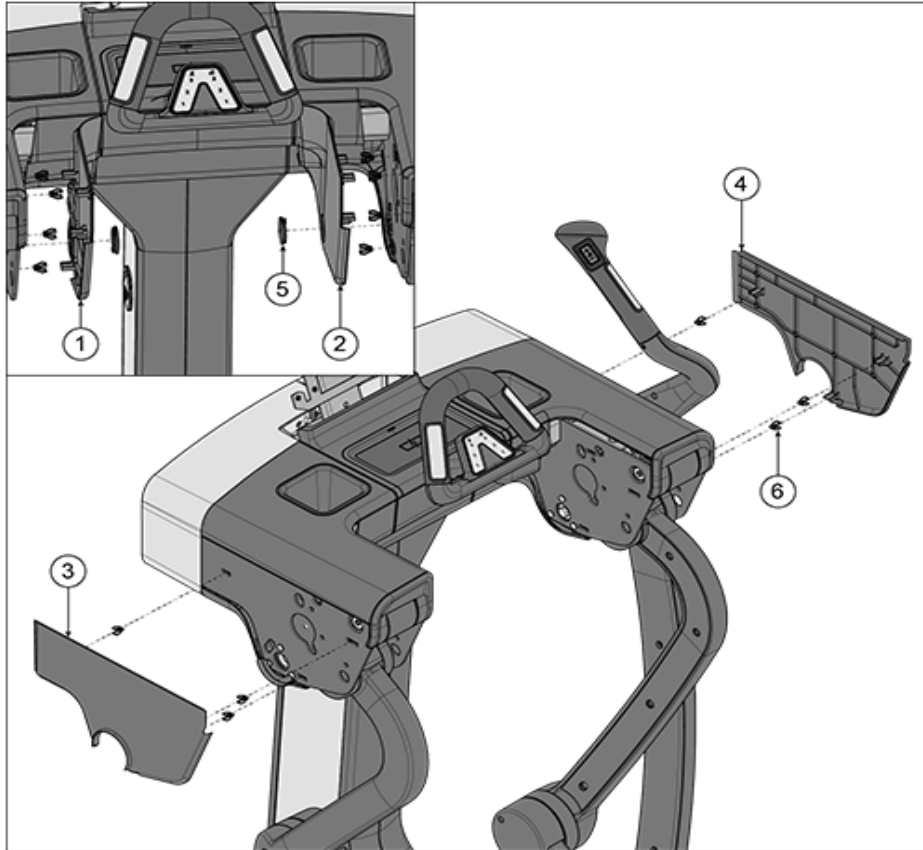
Ref #	Part Number	Qty	Description
			ZN
17	0017-00101-2138	6	SCREW: M6 X 1.0 X 16, DIN, PHL, PAN, MS, ST, ZB
18	1019442-0001	2	ASSEMBLY: SHAFT COLLAR, M25
19	1002263-0001	4	CLIP: M9.55 X 16.5, FASTENER, SPRING
20	1021421-0002	1	ASSEMBLY: KEYPAD BEZEL, INCLINE

## Incline Link Shrouds



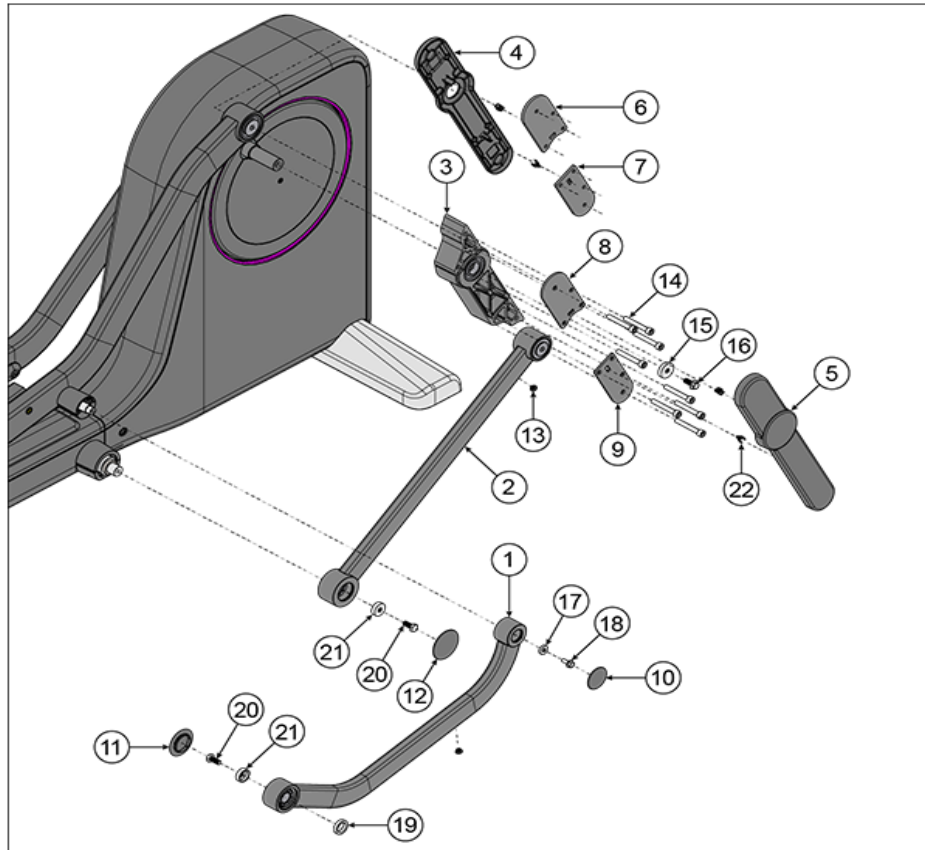
Ref #	Part Number	Qty	Description
1	1020967-0001	2	SHROUD: INCLINE LINK, RIGHT
2	1020966-0001	2	SHROUD: INCLINE LINK, LEFT
3	1022635-0001	4	BLOCK: CLAMP, SHAFT, MAIN ROCKER
4	1017155-0001	8	SCREW: M8 X 1.25-6G6G X 45, HKA, SOC, CS, ST, ZC
5	0017-00101-1988	8	SCREW: M6 X 1-6G6G X 12, DIN, SOC, FLT, CS, ST, ZB

## Inner and Outer Bridge Shrouds



Ref #	Part Number	Qty	Description
1	1022227-0001	1	ASSEMBLY: SHROUD: BRIDGE, INNER LEFT
2	1022228-0001	1	ASSEMBLY: SHROUD: BRIDGE, INNER RIGHT
3	1022225-0001	1	ASSEMBLY: SHROUD: BRIDGE; OUTER LEFT
4	1022226-0001	1	ASSEMBLY: SHROUD: BRIDGE; OUTER RIGHT
5	1021674-0001	2	PLUG: ACCESS, MOVING HANDLEBAR
6	1002263-0001	14	CLIP: M9.55 X 16.5, FASTENER, SPRING

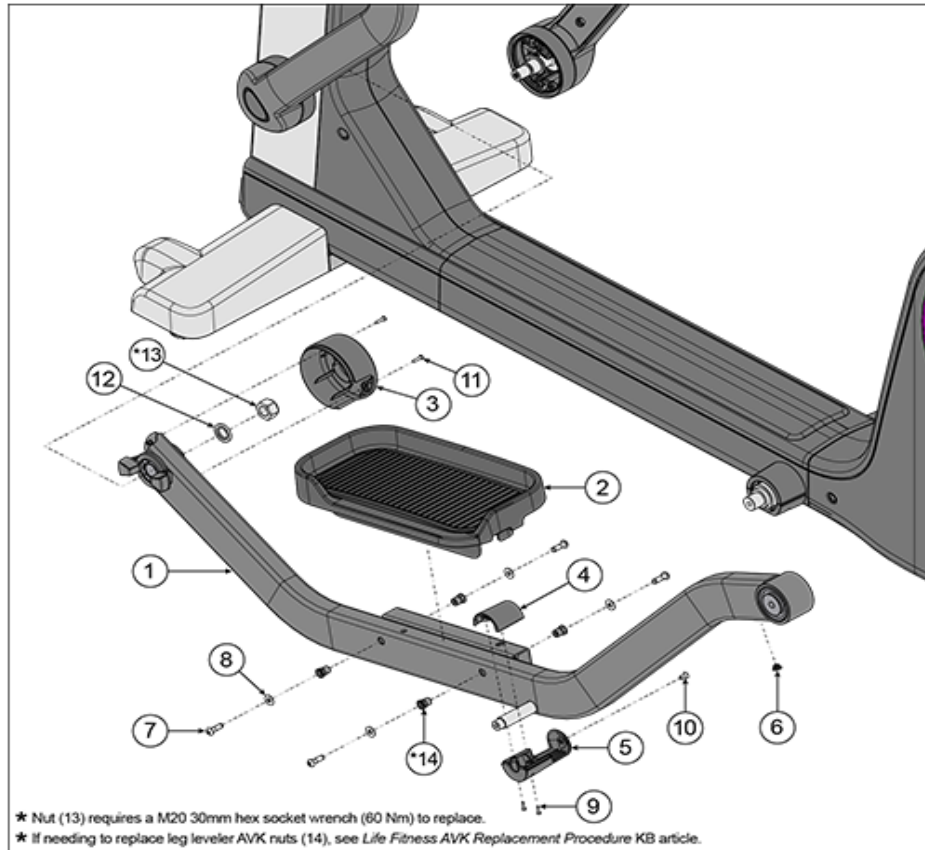
## Left Coupler Link and Idler Link Assemblies



Ref #	Part Number	Qty	Description
1	1020340-5301	1	ASSEMBLY: COUPLER LINK, LEFT, CHARCOAL GRAY SMOOTH ROBUST
2	1021032-5301	1	ASSEMBLY: IDLER LINK, LEFT, CHARCOAL GRAY SMOOTH ROBUST
3	1022847-2601	1	ASSEMBLY: STRIDE LINK, LEFT, CHARCOAL GRAY SMOOTH
4	1022920-0001	1	SHROUD ASSY: STRIDE LINK, INNER
5	1022909-0001	1	SHROUD ASSY: STRIDE LINK, OUTER
6	1022837-0001	1	BRACKET: NUT, STRIDE LINK, UPPER
7	1022839-0001	1	BRACKET: NUT, STRIDE LINK, LOWER
8	1022840-0001	1	BRACKET: STRIDE LINK, UPPER
9	1022841-0001	1	BRACKET: STRIDE LINK, LOWER
10	1022314-0001	1	CAP: COUPLER LINK, REAR
11	1022773-0001	1	CAP: COUPLER LINK, FRONT
12	1022315-0001	1	CAP: IDLER LINK
13	1021819-0001	2	PLUG: 9.5MM HOLE
14	1021239-0001	8	SCREW: M10 X 1.5-5G6G X 70, HKA, SOC, CS, C12
15	1023262-0001	1	WASHER: M10 X 38.1 X 9, 30MM, SPC, ST
16	0017-00101-2135	1	SCREW: M10 X 1.50 6G6H X 25, UNS, FLG, CS, ST, ZB
17	1022831-0001	1	WASHER: M8 X 22 X 6, 17MM, SPC, ST
18	0017-00101-2150	1	SCREW: M8 X 1.25 6G6H X 20, UHS, HXW, CS, ST, ZB
19	1020989-0001	1	WASHER: M25 X 35 X 2.5, SPC, ST

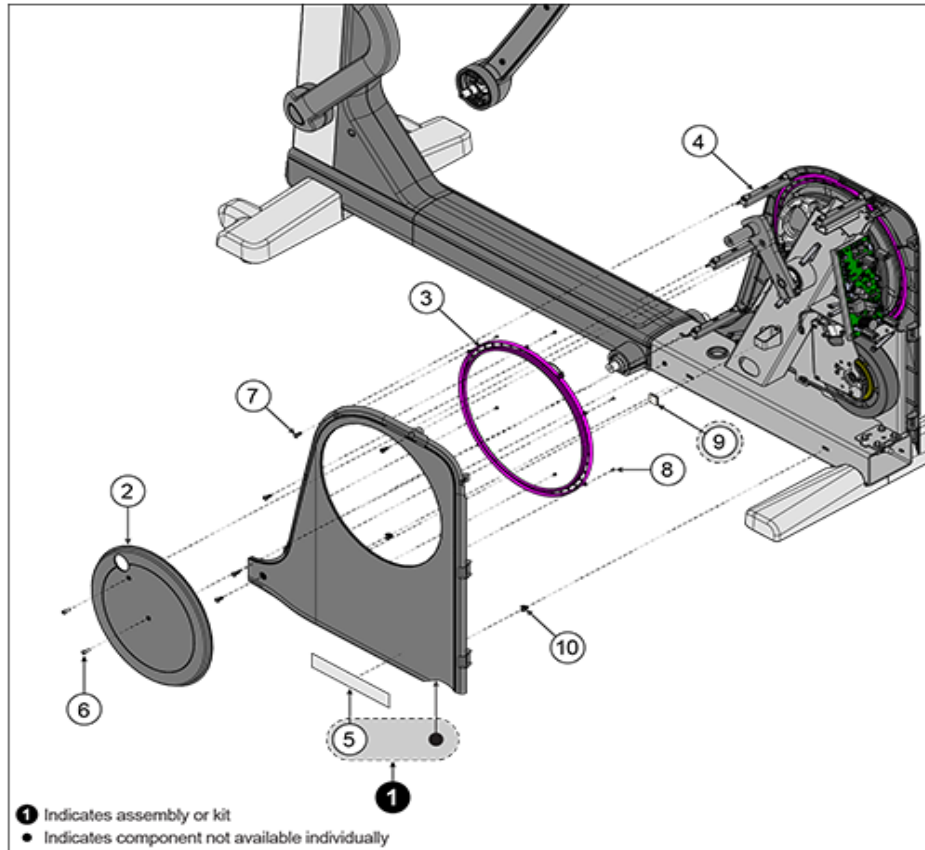
<b>Ref #</b>	<b>Part Number</b>	<b>Qty</b>	<b>Description</b>
20	1009210-0001	2	SCREW: M10 X 1.5 6G X 25 UNS,HEX CAP,ST ZS,PATCH
21	1022781-0001	2	WASHER: M10 X 35 X 11, 25MM, SPC, ST
22	1002263-0001	4	CLIP: M9.55 X 16.5, FASTENER, SPRING

## Left Pedal Lever Assembly



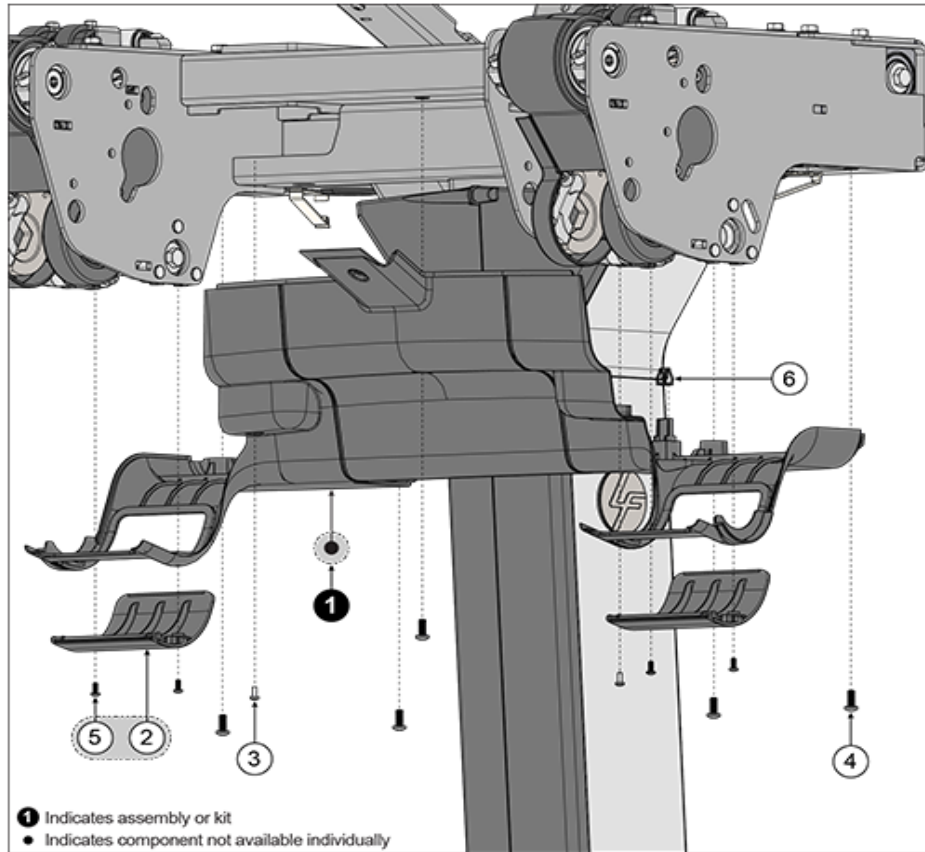
Ref #	Part Number	Qty	Description
1	1022628-5301	1	ASSEMBLY: PEDAL LEVER, LEFT, W/ HARDWARE, CHARCOAL GRAY SMOOTH ROBUST
2	1021538-0001	1	PEDAL: LEFT, FEATURED
3	1022753-0001	1	SHROUD: RDS JOINT, OUTER
4	1023183-0001	1	SHROUD ASSY: COUPLER HUB COVER, TOP
5	1023184-0001	1	SHROUD: COUPLER HUB COVER, BOTTOM
6	1021819-0001	1	PLUG: 9.5MM HOLE
7	0017-00101-1929	4	SCREW: M8 X 1.25-6G6G X 25, DIN, HEX, BUT, CS, ST
8	0017-00104-0510	4	WASHER: M8.4 X 19 X 1.6, DIN, FLAT, ST, ZB
9	1023061-0001	2	SCREW: M3 X 0.5-5G6G X 12, HKA, SOC, CS, ST
10	0017-00101-1988	1	SCREW: M6 X 1-6G6G X 12, DIN, SOC, FLT, CS, ST, ZB
11	0017-00101-1874	2	SCREW: M4 X 0.70-6G6G X 16, ISO, PHL, PAN, MS, ST, ZN
12	1022883-0001	1	WASHER: M20, SHAFT, RDS
13	1022938-0001	1	NUT: M20 X 2.5-6H, LCK, ST
14	0017-00009-1191	4	INSERT: M8 X 6.6, THREADED, HEX

## Left Side Motor Shroud



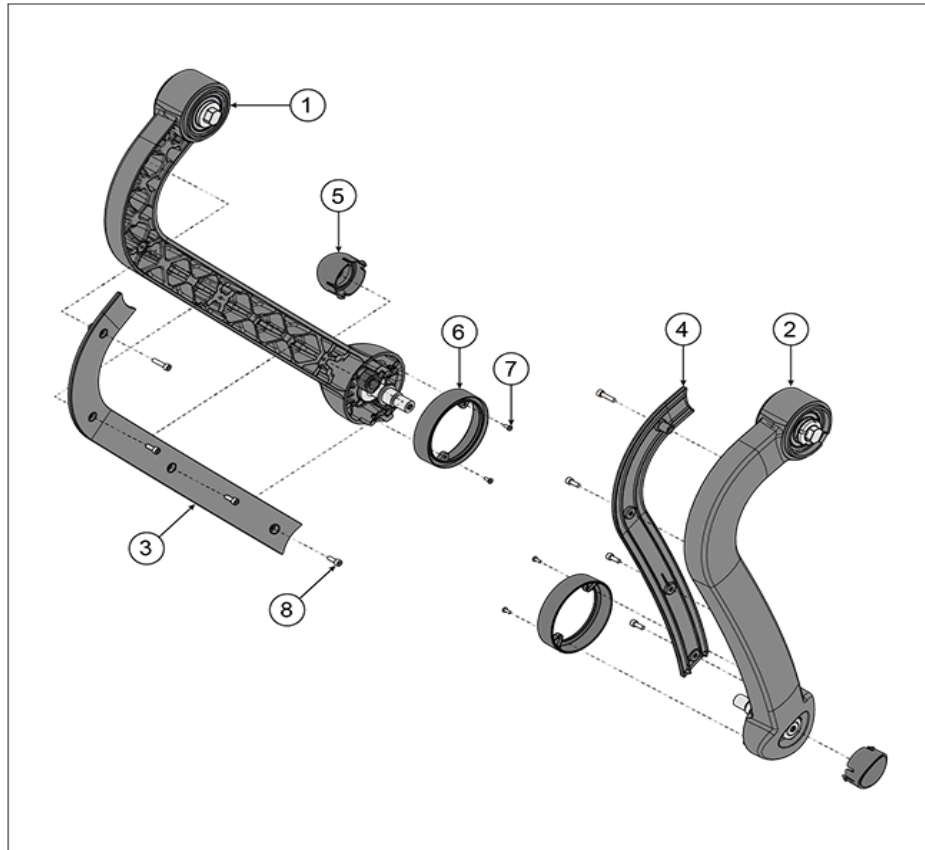
Ref #	Part Number	Qty	Description
1	1026208-0001	1	ASSEMBLY: DRIVE SHROUD WITH DECAL, SYMBIO CROSSTRAINER, LEFT
2	1020745-0001	1	COVER: CRANK ARM
3	1022342-0002	1	ASSEMBLY: LIGHT RING, CROSSTRAINER
4	1021559-0001	4	ASSEMBLY: STRUT BRACKET
5	1020283-0001	1	DECAL: TR EVEREST LIFE FITNESS LOGO
6	1005398-0001	2	SCREW: M6 X 1.0 X 16, DIN, HEX, SOC, CS, ST, BO
7	0017-00101-2138	5	SCREW: M6 X 1.0 X 16, DIN, PHL, PAN, MS, ST, ZB
8	0017-00101-1971	6	SCREW: M3 X 0.5 6G6G X 6, DIN, PHL, PAN, MS, ST, ZN
9	1023107-0001	2	DUAL LOCK PAD: REAR SHROUD LEFT
10	1002263-0001	2	CLIP: M9.55 X 16.5, FASTENER, SPRING

## Lower Bridge Shroud



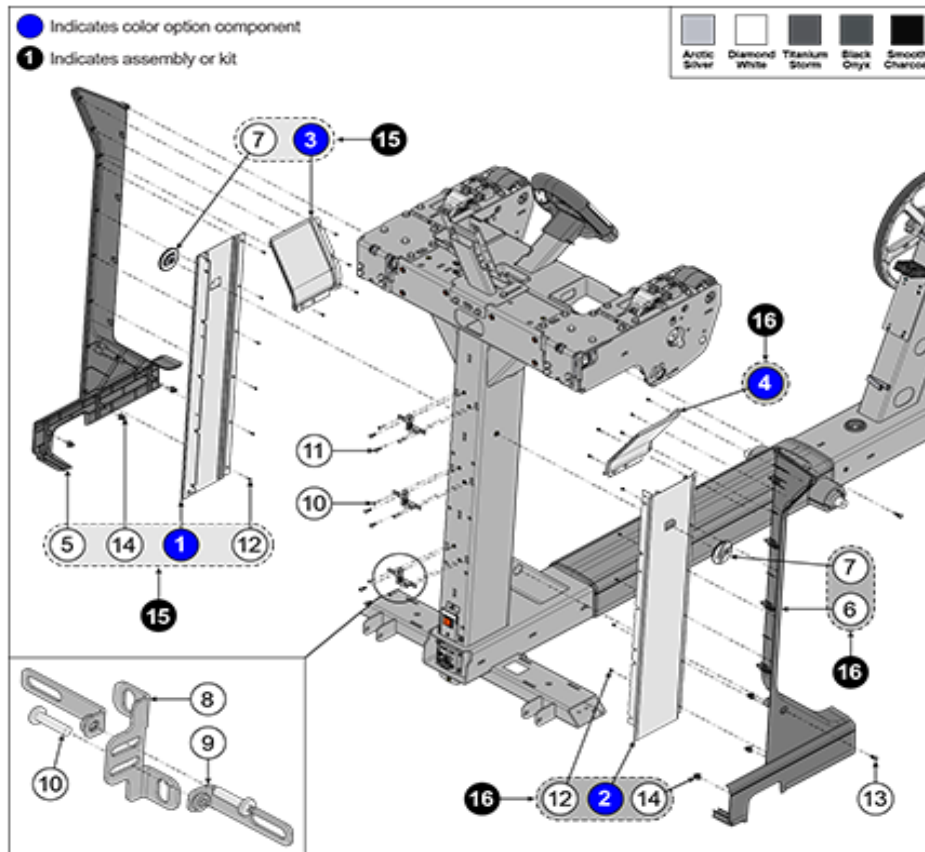
Ref #	Part Number	Qty	Description
1	1026424-0001	1	KIT: LOWER BRIDGE SHROUD REPLACEMENT
2	1022116-0001	2	SHROUD: DOOR; CABLE ACCESS
3	0017-00101-1989	2	SCREW: M4 X 6G6G X 10, PHL, PAN, ST, ZN
4	0017-00101-2138	5	SCREW: M6 X 1.0 X 16, DIN, PHL, PAN, MS, ST, ZB
5	1017559-0001	4	SCREW: M4 X 0.7 X 10, PHL, PH, ST, BZ
6	1002263-0001	2	CLIP: M9.55 X 16.5, FASTENER, SPRING

## Main Rocker Arm Assemblies



Ref #	Part Number	Qty	Description
1	1022615-2601	1	ASSEMBLY: MAIN ROCKER, LEFT, CHARCOAL GRAY SMOOTH
2	1022655-2601	1	ASSEMBLY: MAIN ROCKER, RIGHT, CHARCOAL GRAY SMOOTH
3	1022013-0001	1	SHROUD: MAIN ROCKER, LEFT
4	1021986-0001	1	SHROUD: MAIN ROCKER, RIGHT
5	1022750-0001	2	PLUG: MAIN ROCKER; LOWER JOINT
6	1022752-0001	2	SHROUD: RDS JOINT, CENTER
7	0017-00101-1989	4	SCREW: M4 X 6G6G X 10, PHL, PAN, ST, ZN
8	1005398-0001	8	SCREW: M6 X 1.0 X 16, DIN, HEX, SOC, CS, ST, BO

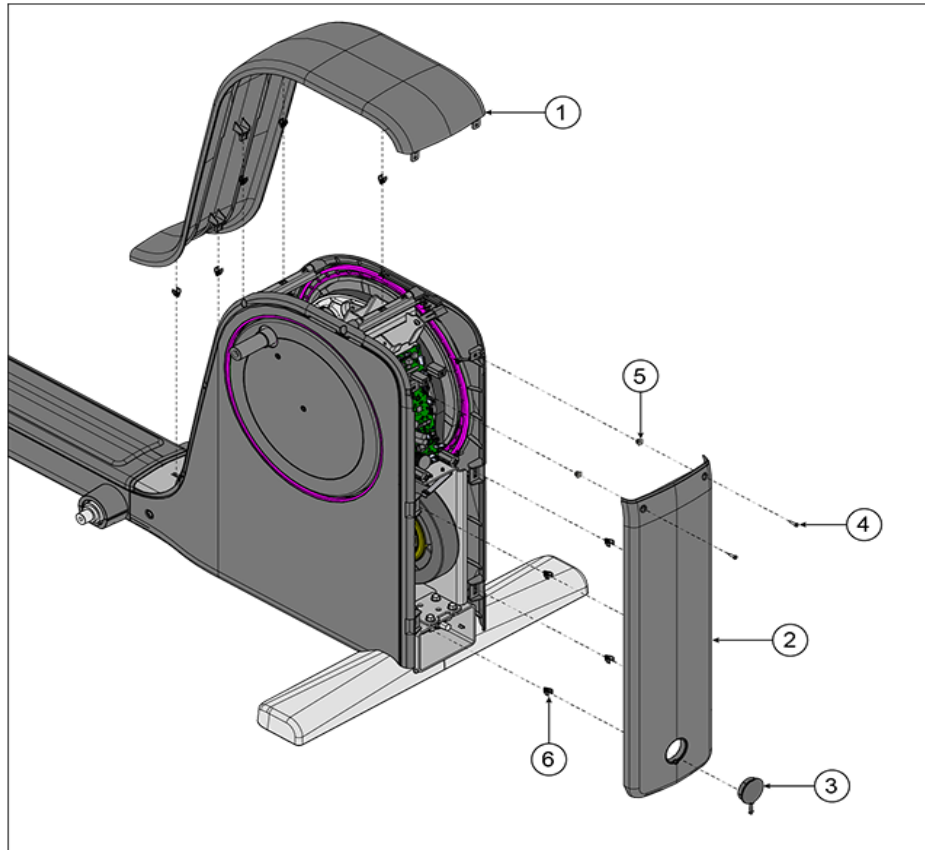
## Monocolumn Shrouds and Castings



Ref #	Part Number	Qty	Description
1b	1025607-2301	1	EXTRUSION ASSY: COVER, MONOCOLUMN, RIGHT, BLACK ONYX
1c	1025607-2201	1	EXTRUSION ASSY: COVER, MONOCOLUMN, RIGHT, TITANIUM
1d	1025607-2101	1	EXTRUSION ASSY: COVER, MONOCOLUMN, RIGHT, PEARLESENT WHITE
1a	1025607-2601	1	EXTRUSION ASSY: COVER, MONOCOLUMN, RIGHT, SMOOTH CHAR GRAY
1e	1025607-0101	1	EXTRUSION ASSY: COVER, MONOCOLUMN, RIGHT, ARTIC SILVER
2e	1025608-0101	1	EXTRUSION ASSY: COVER, MONOCOLUMN, LEFT, ARTIC SILVER
2b	1025608-2301	1	EXTRUSION ASSY: COVER, MONOCOLUMN, LEFT, BLACK ONYX
2c	1025608-2201	1	EXTRUSION ASSY: COVER, MONOCOLUMN, LEFT, TITANIUM
2d	1025608-2101	1	EXTRUSION ASSY: COVER, MONOCOLUMN, LEFT, PEARLESENT WHITE
2a	1025608-2601	1	EXTRUSION ASSY: COVER, MONOCOLUMN, LEFT, SMOOTH CHAR GRAY
3d	1021676-2101	1	CASTING: MONOCOLUMN, UPPER RIGHT, PEARLESENT WHITE

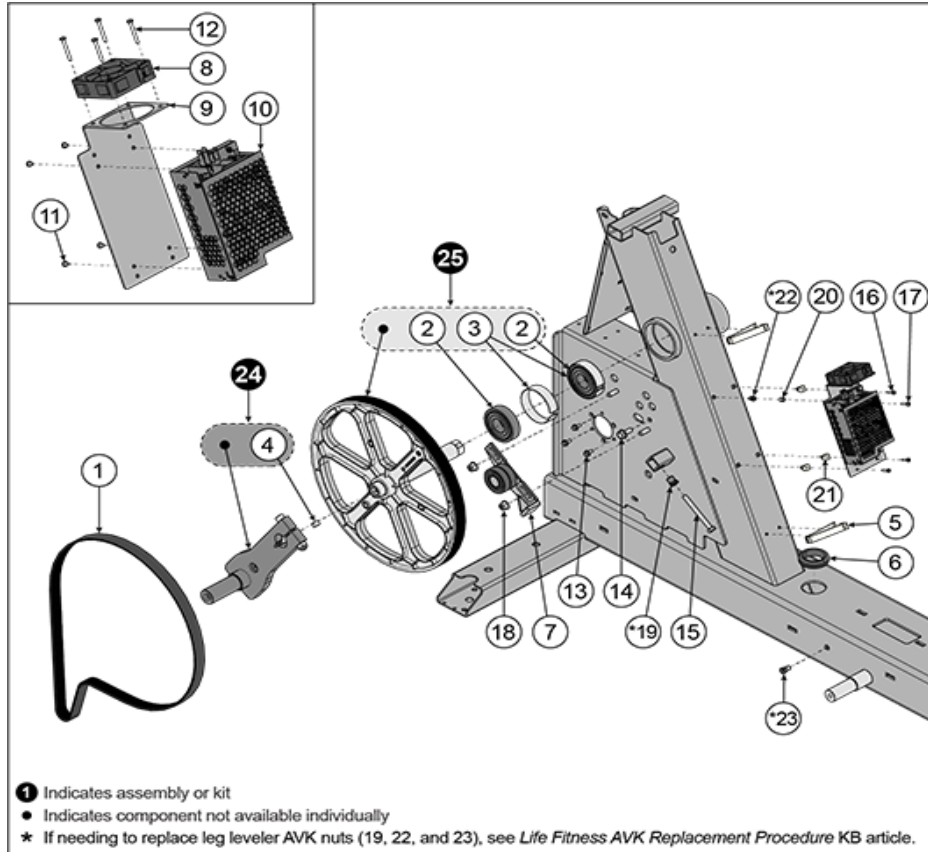
Ref #	Part Number	Qty	Description
3a	1021676-2601	1	CASTING: MONOCOLUMN, UPPER RIGHT, SMOOTH CHAR GRAY
3e	1021676-0101	1	CASTING: MONOCOLUMN, UPPER RIGHT, ARCTIC SILVER
3b	1021676-2301	1	CASTING: MONOCOLUMN, UPPER RIGHT, BLACK ONYX
3c	1021676-2201	1	CASTING: MONOCOLUMN, UPPER RIGHT, TITANIUM
4d	1021675-2101	1	CASTING: MONOCOLUMN, UPPER LEFT, PEARLESENT WHITE
4b	1021675-2301	1	CASTING: MONOCOLUMN, UPPER LEFT, BLACK ONYX
4c	1021675-2201	1	CASTING: MONOCOLUMN, UPPER LEFT, TITANIUM
4e	1021675-0101	1	CASTING: MONOCOLUMN, UPPER LEFT, ARCTIC SILVER
4a	1021675-2601	1	CASTING: MONOCOLUMN, UPPER LEFT, SMOOTH CHAR GRAY
5	1021680-0001	1	ASSEMBLY: SHROUD: MONOCOLUMN, RIGHT
6	1021679-0001	1	ASSEMBLY: SHROUD: MONOCOLUMN, LEFT
7	1019548-0001	2	ASSEMBLY: LF LED BUG
8	1024738-0001	3	SHEET METAL: MONO TUBE SLIDE
9	1024737-0001	6	SHEET METAL ASSY: MONO TUBE L BRACKET
10	0017-00101-1874	12	SCREW: M4 X 0.70-6G6G X 16, ISO, PHL, PAN, MS, ST, ZN
11	0017-00101-1972	6	SCREW: M5 X 0.8 X 14, PHL, PAN, MS, ST, BZ
12	0017-00101-1971	20	SCREW: M3 X 0.5 6G6G X 6, DIN, PHL, PAN, MS, ST, ZN
13	0017-00101-2138	2	SCREW: M6 X 1.0 X 16, DIN, PHL, PAN, MS, ST, ZB
14	1002263-0001	6	CLIP: M9.55 X 16.5, FASTENER, SPRING
15a	1026275-2601	1	ASSEMBLY: MONOCOLUMN SHROUD, SYMBIO CROSSTRAINER, RIGHT, MATTE-CHAR-GRAY
15b	1026275-2301	1	ASSEMBLY: MONOCOLUMN SHROUD, SYMBIO CROSSTRAINER, RIGHT, BLACK ONYX
15e	1026275-0101	1	ASSEMBLY: MONOCOLUMN SHROUD, SYMBIO CROSSTRAINER, RIGHT, ARCTIC-SILVER
15d	1026275-2101	1	ASSEMBLY: MONOCOLUMN SHROUD, SYMBIO CROSSTRAINER, RIGHT, PEARLESENT-WHITE
15c	1026275-2201	1	ASSEMBLY: MONOCOLUMN SHROUD, SYMBIO CROSSTRAINER, RIGHT, TITANIUM
16a	1026274-2601	1	ASSEMBLY: MONOCOLUMN SHROUD, SYMBIO CROSSTRAINER, LEFT, MATTE-CHAR-GRAY
16b	1026274-2301	1	ASSEMBLY: MONOCOLUMN SHROUD, SYMBIO CROSSTRAINER, LEFT, BLACK ONYX
16d	1026274-2101	1	ASSEMBLY: MONOCOLUMN SHROUD, SYMBIO CROSSTRAINER, LEFT, PEARLESENT-WHITE
16c	1026274-2201	1	ASSEMBLY: MONOCOLUMN SHROUD, SYMBIO CROSSTRAINER, LEFT, TITANIUM
16e	1026274-0101	1	ASSEMBLY: MONOCOLUMN SHROUD, SYMBIO CROSSTRAINER, LEFT, ARCTIC-SILVER

## Motor Rear and Top Shrouds



Ref #	Part Number	Qty	Description
1	1020834-0001	1	SHROUD ASSY: DRIVE UPPER
2	1021670-0001	1	SHROUD ASSY: DRIVE, REAR
3	1021065-0001	1	PLUG: MOBILITY ACCESS
4	0017-00101-1796	2	SCREW: M4.2 X 0.7 6G6G X 19, DIN, PHL, PAN, AB, ST, ZB
5	0017-00042-1147	2	GROMMET: SCREW, 8 OR 10
6	1002263-0001	9	CLIP: M9.55 X 16.5, FASTENER, SPRING

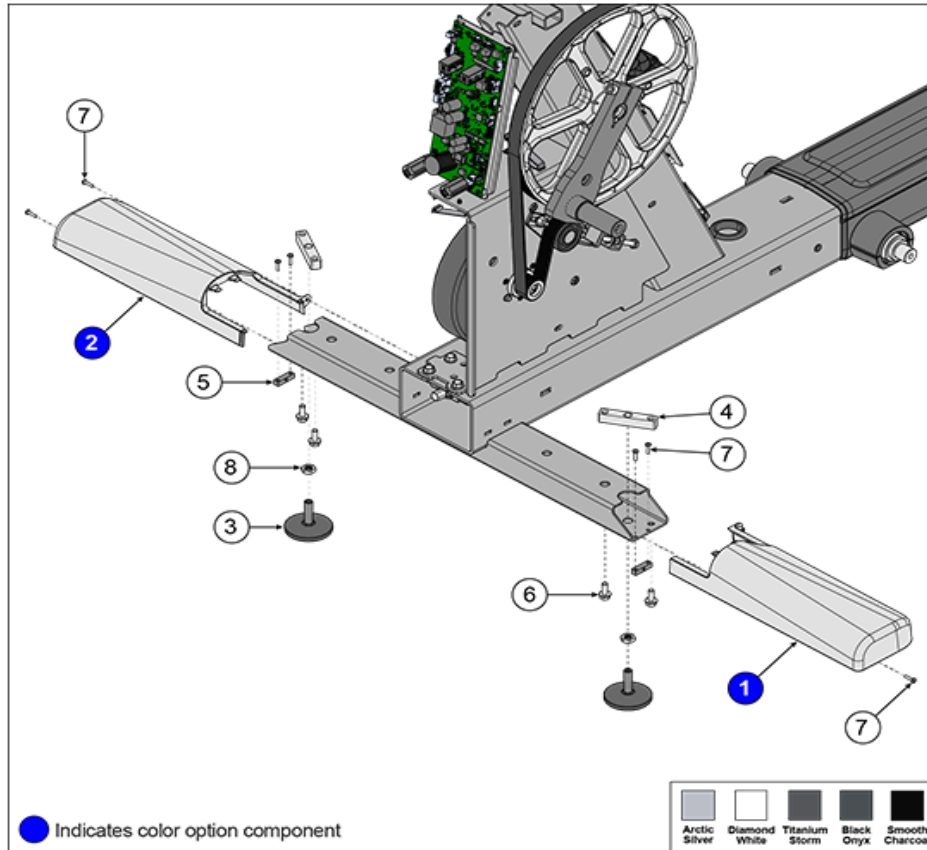
## Pulley and Crank Arm



Ref #	Part Number	Qty	Description
1	1002564-0001	1	BELT: POLY-V 550 J10
2	1012808-0001	2	BEARING: M30 X 72, BAL, ST
3	1016062-0001	2	RING: 72M, TOLERANCE
4	1024969-0001	1	KEY: 7 X 8
5	1022804-0001	2	CLIP: FLAT CLAMP, SNAP-IN, HINGED
6	1022345-0001	1	GROMMET: 1-1/2 X 1-3/4 X 9/16, SBR
7	1001619-0001	1	ASSEMBLY: IDLER
8	1019626-0001	1	FAN: 60MM X 60MM X 20MM, 24VDC
9	1020849-0001	1	SHEET METAL ASSY: POWER SUPPLY BRACKET W/ FAN
10	1019393-0001	1	POWER SUPPLY: 24V, 250-300W
11	1023837-0001	4	SCREW: M3 X 0.5-6H6H X 4, PHL, PAN, CS, ST
12	1018311-0001	4	SCREW: M3 X 0.5-6H6H X 25, PHL, PAN, CS, ST.
13	0017-00101-2151	3	SCREW: M5 X 0.8 6G6G X 12, FLANGE, HEAD, CS, G5, CD
14	0017-00101-2150	1	SCREW: M8 X 1.25 6G6H X 20, UHS, HXW, CS, ST, ZB
15	0017-00101-1944	1	SCREW: M8 X 1.25
16	0017-00101-1838	3	SCREW: M3.5 X 1.3 6G6G X 19, PHL, PAN, AB, ST, ZN
17	0017-00101-1874	1	SCREW: M4 X 0.70-6G6G X 16, ISO, PHL, PAN, MS, ST, ZN
18	1003388-0001	2	NUT: M8 X 1.25-6H, DIN, UNF, HEX, LOCKNUT
19	0017-00009-1191	1	INSERT: M8 X 6.6, THREADED, HEX

<b>Ref #</b>	<b>Part Number</b>	<b>Qty</b>	<b>Description</b>
20	1013169-0001	1	SPACER: M5.3 X 8 X 7, ALUMINUM
21	0017-00042-0821	3	GROMMET: SCREW, #6
22	1022832-0001	1	NUT: M4 X 0.7-6H, RIVET, ST, HALF-HEX SHANK
23	0017-00009-1358	1	INSERT: M6 X 6.6, THREADED, HEX
24	1026213-0001	1	KIT: DRIVESHAFT AND BEARING REPLACEMENT, SYMBIO CROSSTRAINER
25	1026271-0001	1	KIT: CRANKARM REPLACEMENT, SYMBIO CROSSTRAINER

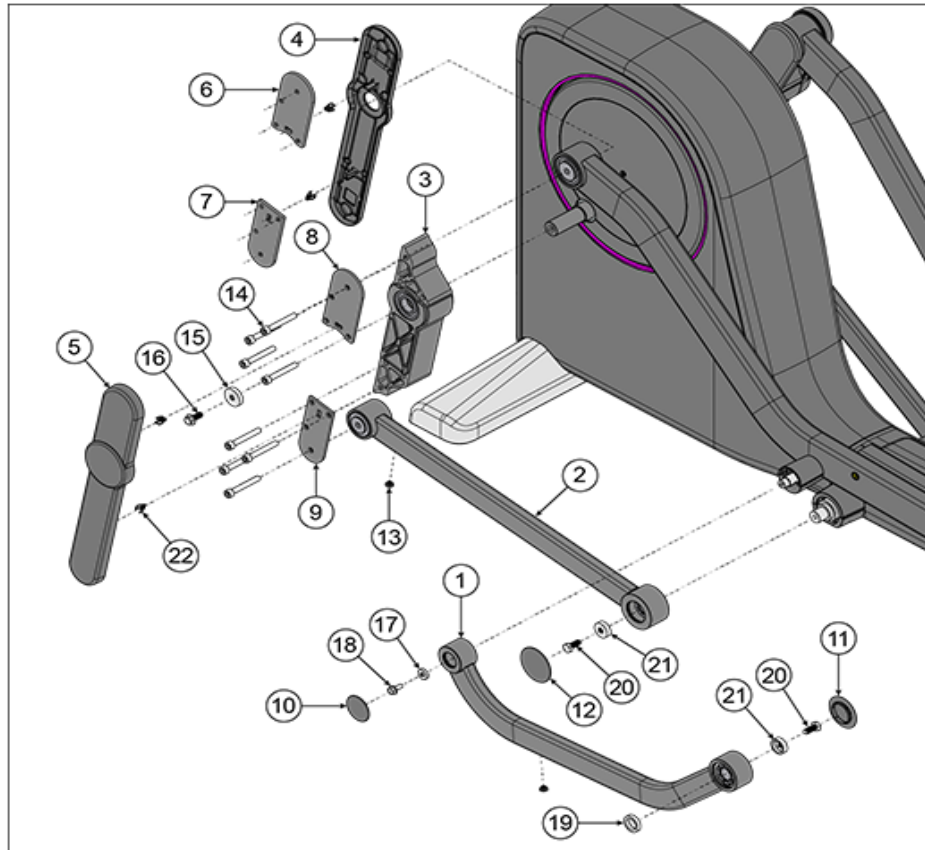
## Rear Stabilizer Castings



Ref #	Part Number	Qty	Description
1b	1021654-2301	1	CASTING ASSY: STABILIZER COVER, REAR RIGHT, BLACK ONYX
1a	1021654-2601	1	CASTING ASSY: STABILIZER COVER, REAR RIGHT, MATTE CHAR GRAY
1c	1021654-2201	1	CASTING ASSY: STABILIZER COVER, REAR RIGHT, TITANIUM
1d	1021654-2101	1	CASTING ASSY: STABILIZER COVER, REAR RIGHT, PEARLESENT WHITE
1e	1021654-0101	1	CASTING ASSY: STABILIZER COVER, REAR RIGHT, ARCTIC SILVER
2d	1021101-2101	1	CASTING: STABILIZER COVER; REAR LEFT, PEARLESENT WHITE
2a	1021101-2601	1	CASTING: STABILIZER COVER; REAR LEFT, SMOOTH CHAR GRAY
2b	1021101-2301	1	CASTING: STABILIZER COVER; REAR LEFT, BLACK ONYX
2e	1021101-0101	1	CASTING: STABILIZER COVER; REAR LEFT, ARCTIC SILVER
2c	1021101-2201	1	CASTING: STABILIZER COVER; REAR LEFT, TITANIUM
3	1021522-0001	2	FOOT: LEVELING, M12 X 1.75 THREAD
4	1021105-0001	2	BLOCK: LEVELER
5	1021957-0001	2	BLOCK: STABILIZER, SHROUD MOUNT

Ref #	Part Number	Qty	Description
6	0017-00101-2150	4	SCREW: M8 X 1.25 6G6H X 20, UHS, HXW, CS, ST, ZB
7	0017-00101-1874	7	SCREW: M4 X 0.70-6G6G X 16, ISO, PHL, PAN, MS, ST, ZN
8	1021935-0001	2	NUT: M12 X 1.75-6H JAM, ST

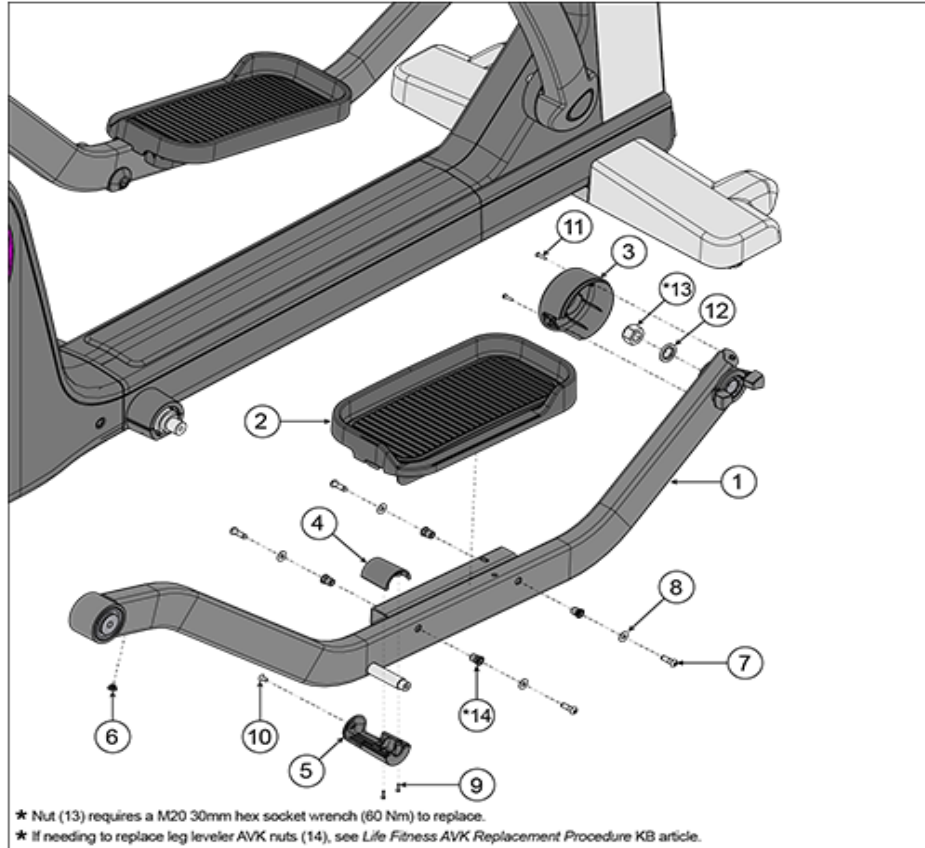
## Right Coupler Link and Idler Link Assemblies



Ref #	Part Number	Qty	Description
1	1020341-5301	1	ASSEMBLY: COUPLER LINK, RIGHT, CHARCOAL GRAY SMOOTH ROBUST
2	1022796-5301	1	ASSEMBLY: IDLER LINK, RIGHT, CHARCOAL GRAY SMOOTH ROBUST
3	1022854-2601	1	ASSEMBLY: STRIDE LINK, RIGHT, CHARCOAL GRAY SMOOTH
4	1022920-0001	1	SHROUD ASSY: STRIDE LINK, INNER
5	1022909-0001	1	SHROUD ASSY: STRIDE LINK, OUTER
6	1022837-0001	1	BRACKET: NUT, STRIDE LINK, UPPER
7	1022839-0001	1	BRACKET: NUT, STRIDE LINK, LOWER
8	1022840-0001	1	BRACKET: STRIDE LINK, UPPER
9	1022841-0001	1	BRACKET: STRIDE LINK, LOWER
10	1022314-0001	1	CAP: COUPLER LINK, REAR
11	1022773-0001	1	CAP: COUPLER LINK, FRONT
12	1022315-0001	1	CAP: IDLER LINK
13	1021819-0001	2	PLUG: 9.5MM HOLE
14	1021239-0001	8	SCREW: M10 X 1.5-5G6G X 70, HKA, SOC, CS, C12
15	1023262-0001	1	WASHER: M10 X 38.1 X 9, 30MM, SPC, ST
16	0017-00101-2135	1	SCREW: M10 X 1.50 6G6H X 25, UNS, FLG, CS, ST, ZB
17	1022831-0001	1	WASHER: M8 X 22 X 6, 17MM, SPC, ST
18	0017-00101-2150	1	SCREW: M8 X 1.25 6G6H X 20, UHS, HXW, CS, ST, ZB
19	1020989-0001	1	WASHER: M25 X 35 X 2.5, SPC, ST

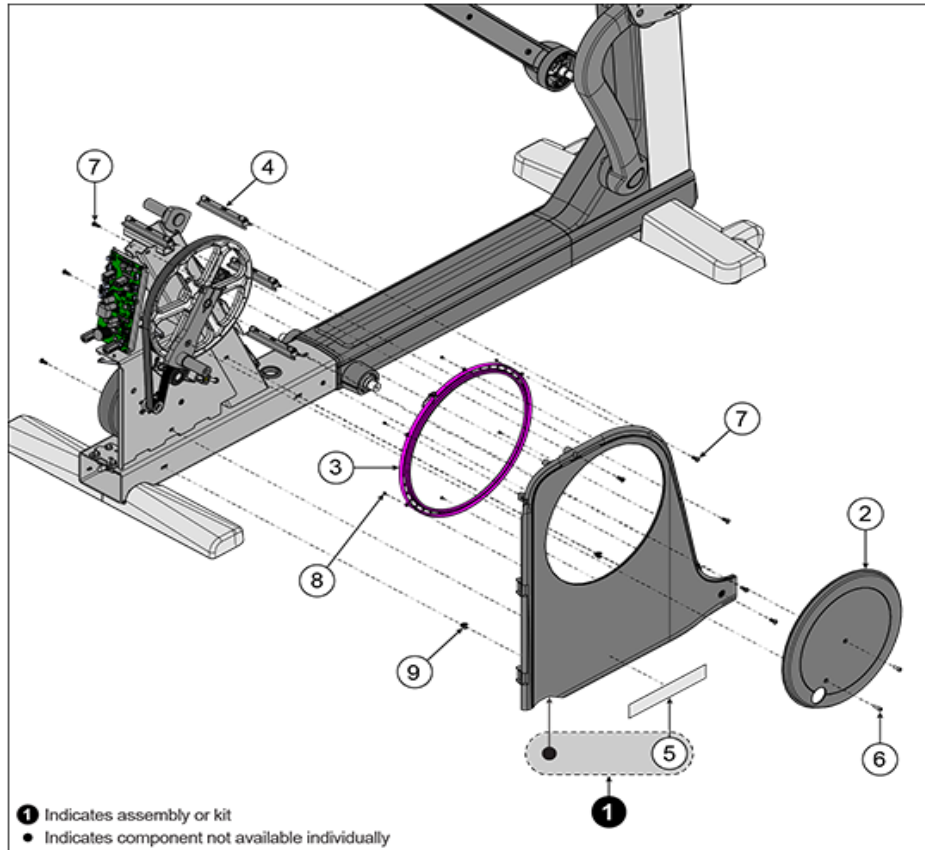
<b>Ref #</b>	<b>Part Number</b>	<b>Qty</b>	<b>Description</b>
20	1009210-0001	2	SCREW: M10 X 1.5 6G X 25 UNS,HEX CAP,ST ZS,PATCH
21	1022781-0001	2	WASHER: M10 X 35 X 11, 25MM, SPC, ST
22	1002263-0001	4	CLIP: M9.55 X 16.5, FASTENER, SPRING

## Right Pedal Lever Assembly



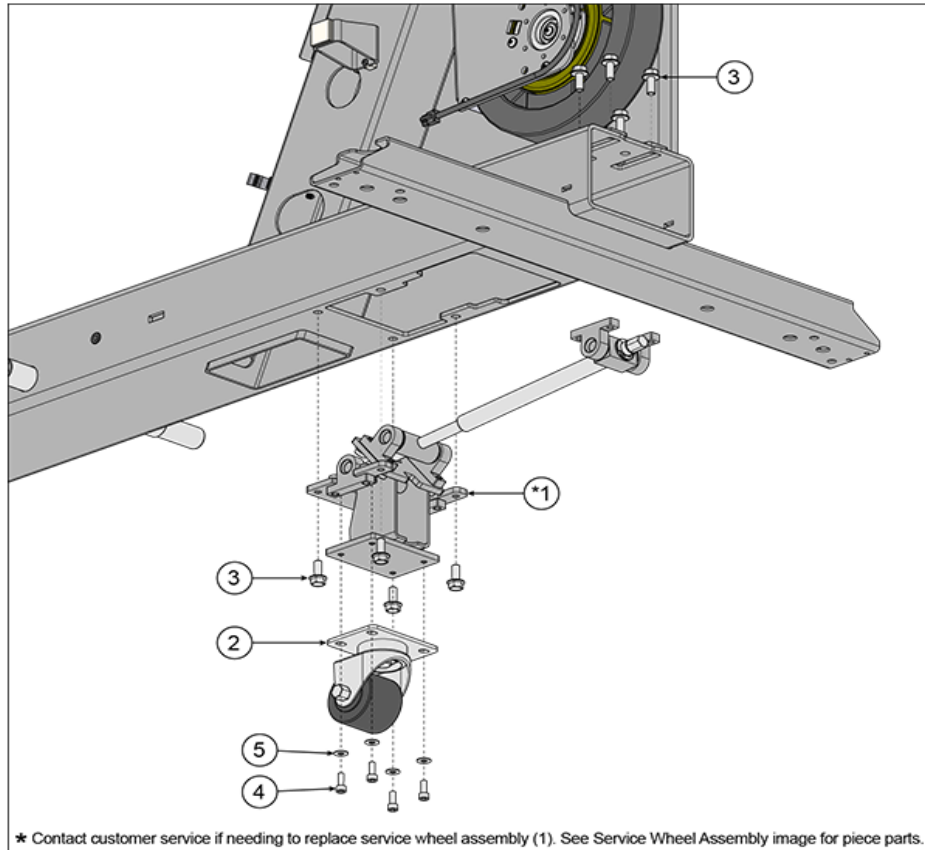
Ref #	Part Number	Qty	Description
1	1022657-5301	1	ASSEMBLY: PEDAL LEVER, RIGHT, W/ HARDWARE, CHARCOAL GRAY SMOOTH ROBUST
2	1021536-0001	1	PEDAL: RIGHT, FEATURED
3	1022753-0001	1	SHROUD: RDS JOINT, OUTER
4	1023183-0001	1	SHROUD ASSY: COUPLER HUB COVER, TOP
5	1023184-0001	1	SHROUD: COUPLER HUB COVER, BOTTOM
6	1021819-0001	1	PLUG: 9.5MM HOLE
7	0017-00101-1929	4	SCREW: M8 X 1.25-6G6G X 25, DIN, HEX, BUT, CS, ST
8	0017-00104-0510	4	WASHER: M8.4 X 19 X 1.6, DIN, FLAT, ST, ZB
9	1023061-0001	2	SCREW: M3 X 0.5-5G6G X 12, HKA, SOC, CS, ST
10	0017-00101-1988	1	SCREW: M6 X 1-6G6G X 12, DIN, SOC, FLT, CS, ST, ZB
11	0017-00101-1874	2	SCREW: M4 X 0.70-6G6G X 16, ISO, PHL, PAN, MS, ST, ZN
12	1022883-0001	1	WASHER: M20, SHAFT, RDS
13	1022938-0001	1	NUT: M20 X 2.5-6H, LCK, ST
14	0017-00009-1191	4	INSERT: M8 X 6.6, THREADED, HEX

## Right Side Motor Shroud



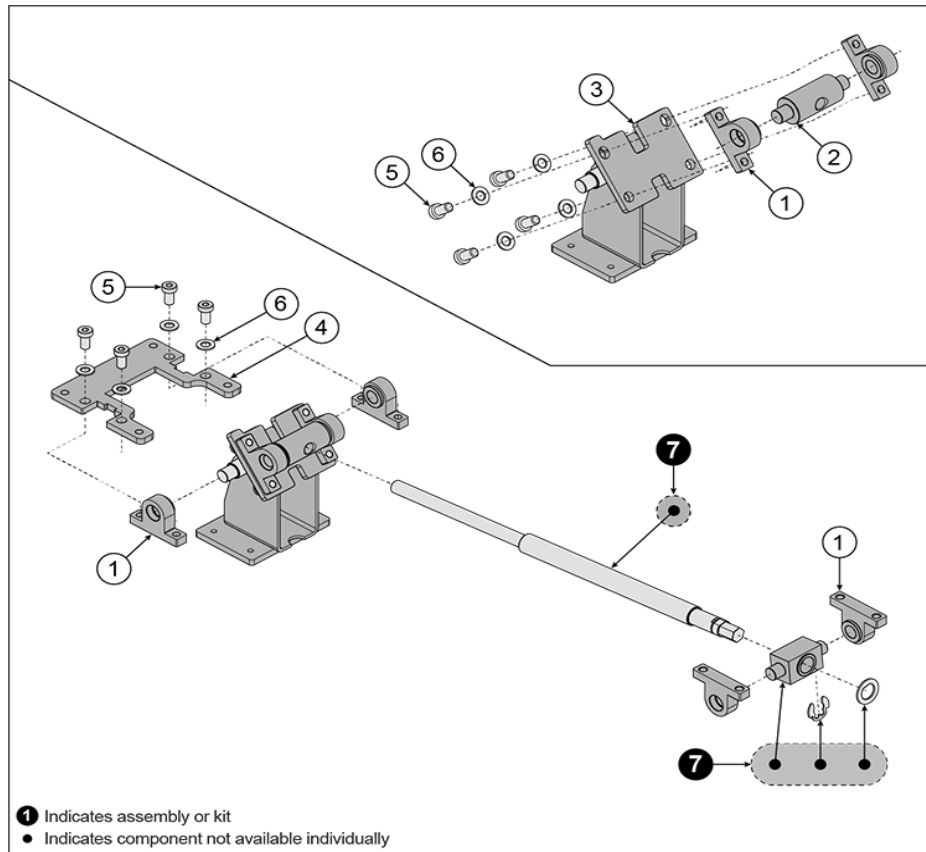
Ref #	Part Number	Qty	Description
1	1026209-0001	1	ASSEMBLY: DRIVE SHROUD WITH DECAL, SYMBIO CROSSTRAINER, RIGHT
2	1020745-0001	1	COVER: CRANK ARM
3	1022342-0002	1	ASSEMBLY: LIGHT RING, CROSSTRAINER
4	1021559-0001	4	ASSEMBLY: STRUT BRACKET
5	1020283-0001	1	DECAL: TR EVEREST LIFE FITNESS LOGO
6	1005398-0001	2	SCREW: M6 X 1.0 X 16, DIN, HEX, SOC, CS, ST, BO
7	0017-00101-2138	8	SCREW: M6 X 1.0 X 16, DIN, PHL, PAN, MS, ST, ZB
8	0017-00101-1971	6	SCREW: M3 X 0.5 6G6G X 6, DIN, PHL, PAN, MS, ST, ZN
9	1002263-0001	2	CLIP: M9.55 X 16.5, FASTENER, SPRING

## Service Wheel and Castor



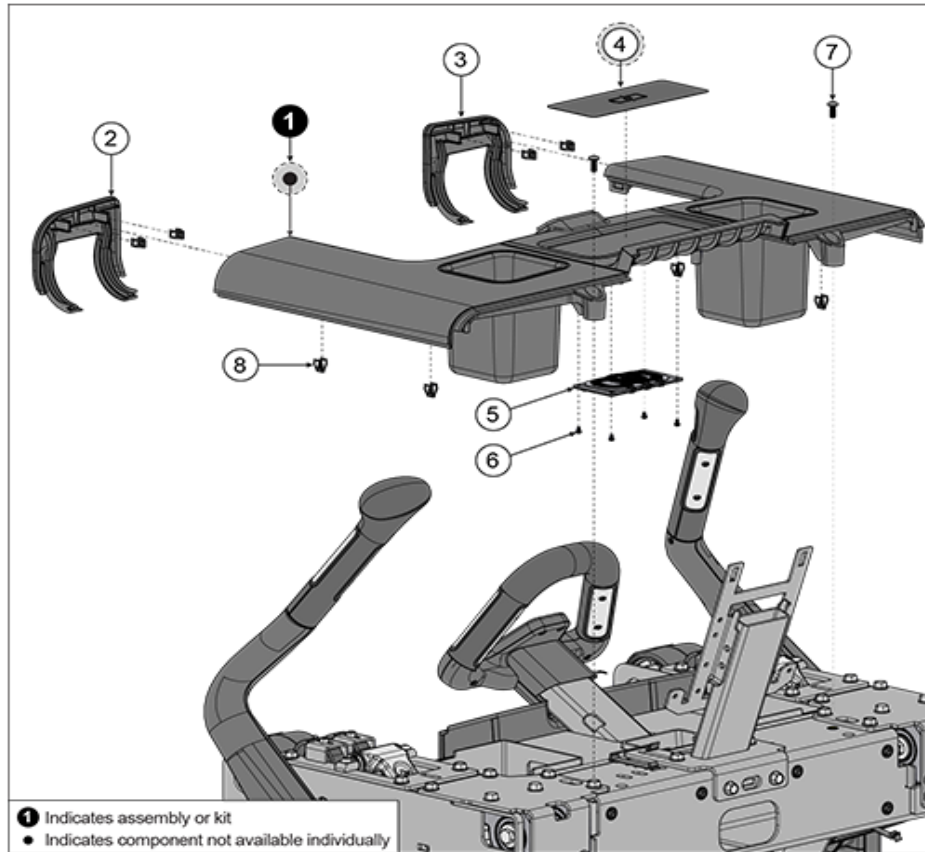
Ref #	Part Number	Qty	Description
1	1021909-0001	1	ASSEMBLY: REAR MOBILITY
2	1024133-0001	1	CASTOR: SWIVEL, SERVICE WHEEL, 130 KG MAX LOAD
3	1005191-0001	8	SCREW: M8 X 1.25 6G6H X 20, UNS, HXW, CS, ST
4	0017-00104-0072	4	WASHER: 0.255 X 0.562 X 0.046, FLAT, ST, ZN
5	1005398-0001	4	SCREW: M6 X 1.0 X 16, DIN, HEX, SOC, CS, ST, BO
6	1026861-0701	1	SHEET METAL: REAR MOBILITY, SWIVEL CASTER LOCK, BLACK

## Service Wheel Assembly



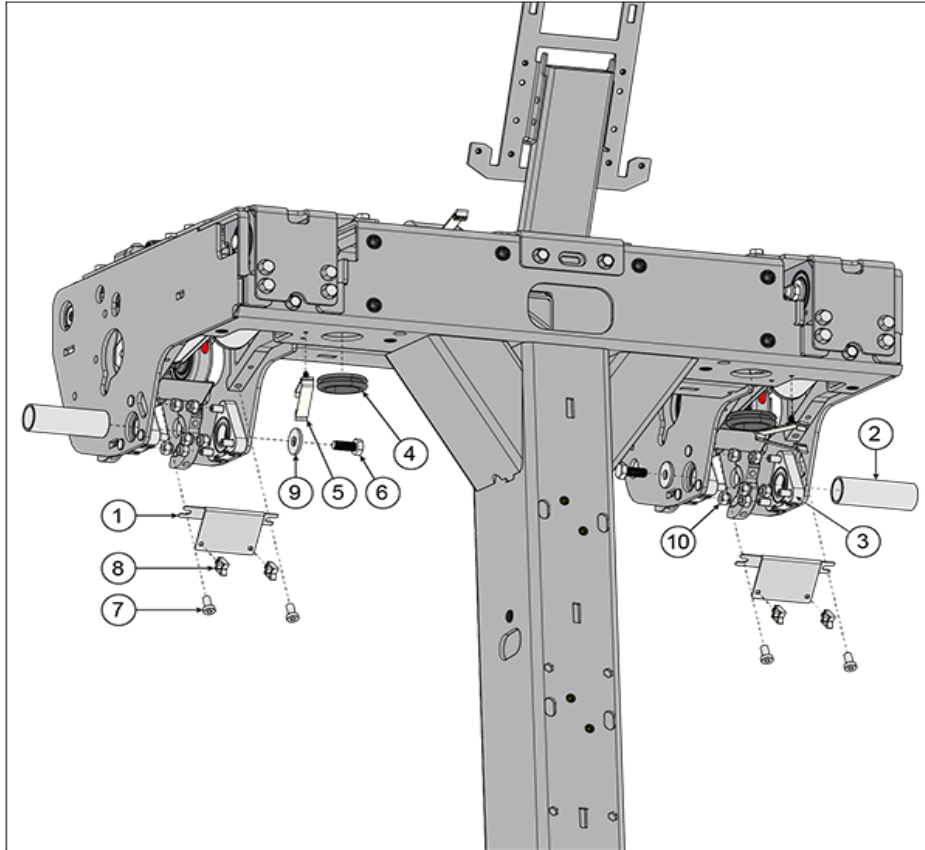
Ref #	Part Number	Qty	Description
1	1025009-0001	6	ASSEMBLY: REAR MOBILITY, PILLOW BLOCK
2	1021908-0001	1	SHAFT: REAR MOBILITY, LEAD SCREW NUT
3	1023159-0001	1	WELDMENT: REAR MOBILITY, MOUNT
4	1021905-0001	1	PLATE: REAR MOBILITY, MOUNTING
5	1021564-0001	8	SCREW: M8 X 1.25-6G6G X 16, LOW HD, HKA, SOC, CS, C10
6	0017-00104-0469	8	WASHER: M8.4 X 16.0 X 1.6, DIN, FLAT, ST, ZB
7	1027140-0001	1	KIT: REAR MOBILITY DRIVE SHAFT REPLACEMENT

## Top Bridge Shroud



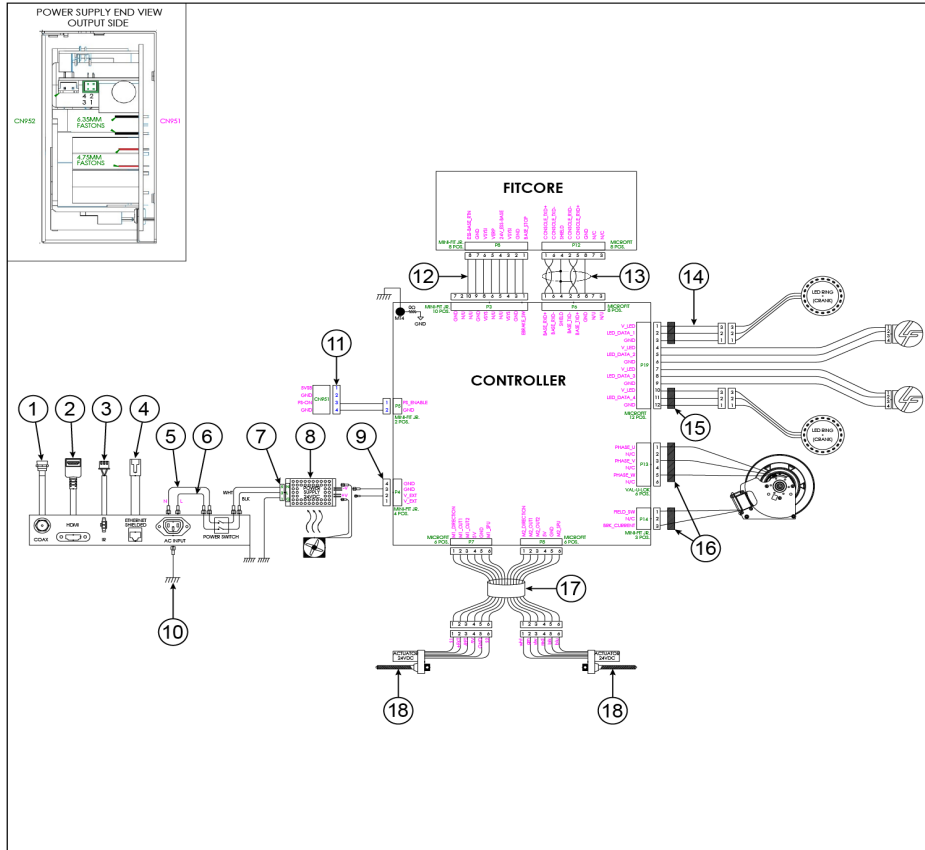
Ref #	Part Number	Qty	Description
1	1026207-0001	1	ASSEMBLY: TOP SHROUD WITH PAD, SYMBIO CROSTRAINER
2	1022230-0001	1	SHROUD ASSY: BRIDGE, ENDCAP, RIGHT
3	1022229-0001	1	SHROUD ASSY: BRIDGE, ENDCAP, LEFT
4	1022238-0001	1	PAD ASSY: WIRELESS CHARGER
5	1011883-0001	1	PCB ASSY: SE4, WIRELESS CHARGER
6	0017-00101-2117	4	M3 X .5 X 6 PHL PAN EXT WSHR
7	0017-00101-2138	2	SCREW: M6 X 1.0 X 16, DIN, PHL, PAN, MS, ST, ZB
8	1002263-0001	8	CLIP: M9.55 X 16.5, FASTENER, SPRING

## Under Bridge Components



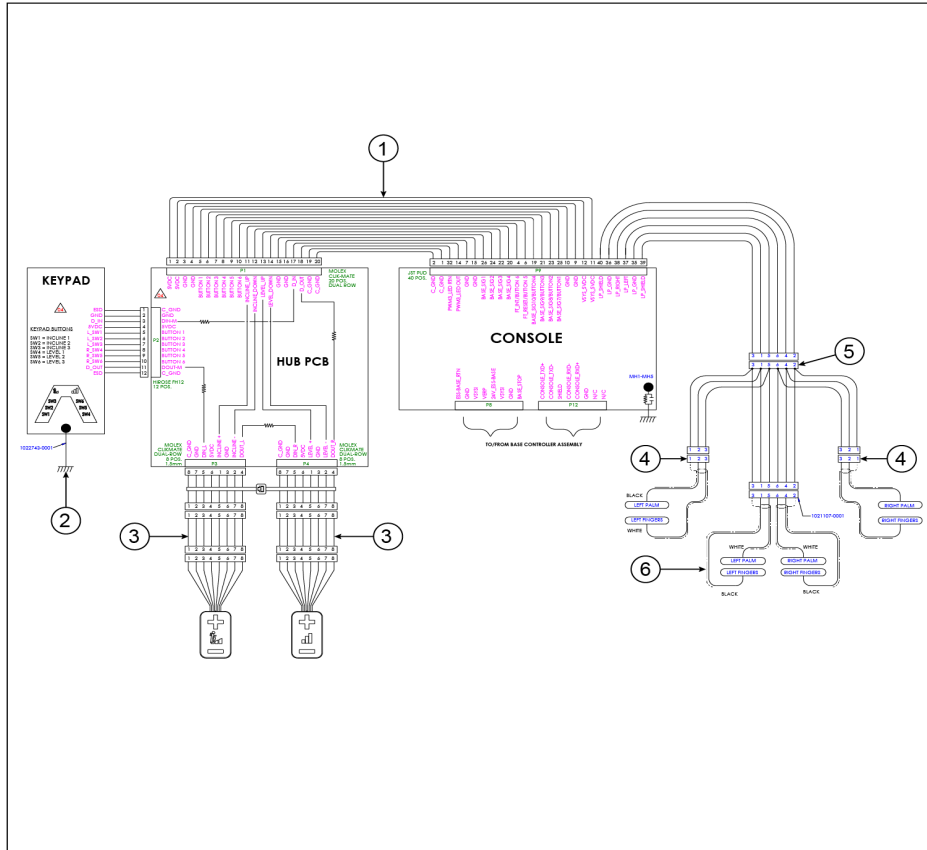
Ref #	Part Number	Qty	Description
1	1022553-0001	2	SHEET METAL: UNDER BRIDGE CABLING BRACKET SPACER: M26.2 X 31.75 X 88.41, STD, HANDLEBAR
2	1020937-0001	2	ROCKER
3	1020940-0001	4	ASSEMBLY: HANDLEBAR, TRIANGLE BEARING BLOCK
4	1022345-0001	2	GROMMET: 1-1/2 X 1-3/4 X 9/16, SBR
5	1022804-0001	2	CLIP: FLAT CLAMP, SNAP-IN, HINGED
6	1009210-0001	2	SCREW: M10 X 1.5 6G X 25 UNS,HEX CAP,ST ZS,PATCH
7	1021564-0001	4	SCREW: M8 X 1.25-6G6G X 16, LOW HD, HKA, SOC, CS, C10
8	1023571-0001	4	CLIP: CABLE HOLDER, PUSH-IN
9	1021055-0001	2	WASHER: M10 X 31 X 3, SPC, ST
10	0017-00103-0333	12	NUT: M8 X 1.25-6H6H, DIN, LOCKING, ST, ZN

# Wiring Diagram - Base



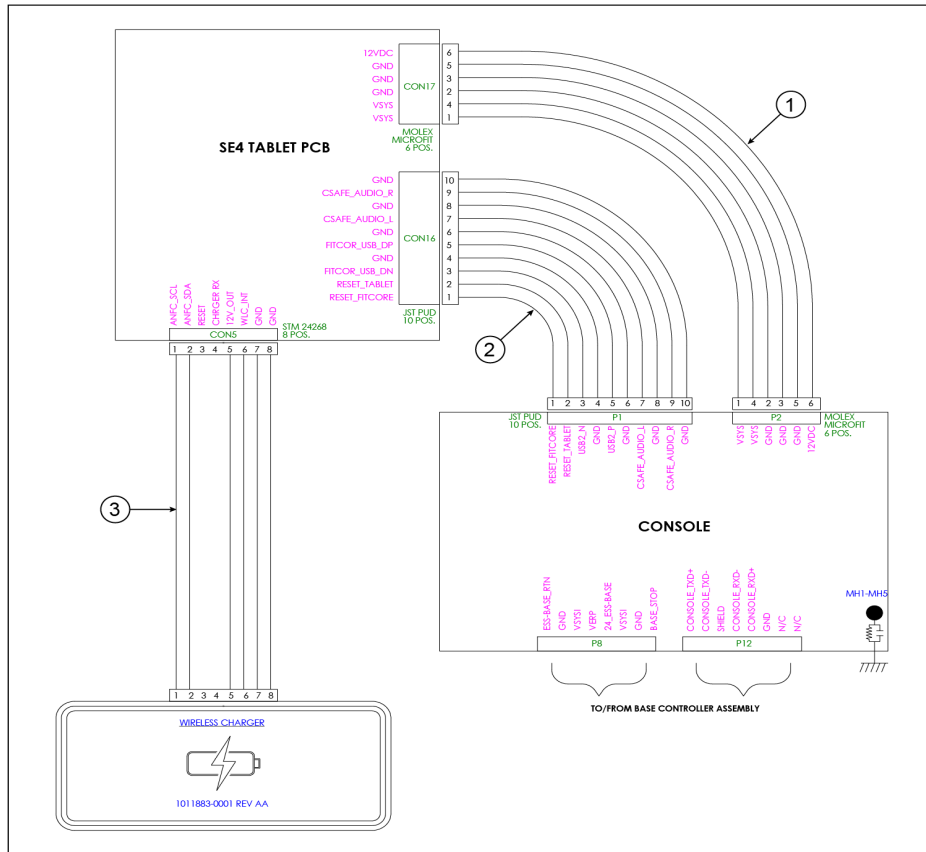
Ref #	Part Number	Qty	Description
1	AK65-00062-0002	1	COAX ASSY: RG6; BASE; V2
2	1001653-0003	1	CABLE ASSY: HDMI, PANEL MOUNT, RIGHT, 1700MM
3	1001671-0003	1	CABLE: IR, CONSOLE TO PANEL, 1700MM
4	AK70-00092-0004	1	CABLE ASSY: CAT5E, V2, 63.5 INCH
5	1004046-0003	1	CABLE: POWER INPUT, WHITE, 205MM
6	1004046-0004	1	CABLE: POWER INPUT, BLACK, 205MM
7	1022727-0001	1	CABLE: AC INPUT TO POWER SUPPLY LINECORD
8	1019393-0001	1	POWER SUPPLY: 24V, 250-300W
9	1022728-0001	1	CABLE: POWER SUPPLY TO PNC
10	1022724-0001	1	CABLE: GROUND, 155MM
11	1022729-0001	1	CABLE: ERP CABLE TO PNC
12	1021196-0005	1	CABLE: CONSOLE TO BASE, POWER, 4030MM
13	1020718-0005	1	CABLE: BASE CONSOLE COMM, 4030MM
14	1020720-0003	1	CABLE: BASE LIGHTING,CT
15	1025101-0001	2	FERRITE: ROUND CABLE (0443164251) 43 CORE
16	1024147-0001	2	FERRITE: ROUND CABLE SNAP-IT, 10MHz-100MHz
17	1022730-0001	1	CABLE: ACTUATOR EXTENSION CABLE
18	1021883-0001	2	ACTUATOR: LINEAR, DC, CUSTOM TA16

# Wiring Diagram - Base to Console



Ref #	Part Number	Qty	Description
1	1022742-0001	1	CABLE: FITCORE TO HUB
2	1022743-0001	1	CABLE: GROUNDING BRAID
3	1022744-0001	2	CABLE: KEYPAD
4	1003871-0003	2	CABLE: LIFE PULSE ELECTRODES, 565MM
5	1022747-0001	1	CABLE ASSY: LIFE PULSE ELECTRODE JUNCTION
6	1021107-0001	1	CABLE: HR ELECTRODES TO CABLE, 765MM

# Wiring Diagram - Console to Wireless Charger



Ref #	Part Number	Qty	Description
1	1014283-0001	1	CABLE: POWER VSYS FITCORE TO TABLET 12-24V
2	1014282-0001	1	CABLE: USB RNDIS COMM TABLET & FITCORE
3	1014289-0004	1	CABLE ASSY: WIRELESS CHARGER, 12V & UART

