

ARABIC Symbio Upright Switchcycle Titanium Storm Base

EVCH-EV24-TTNXE-01AR

Parts Manual

6/19/2024 15:24:21 PM

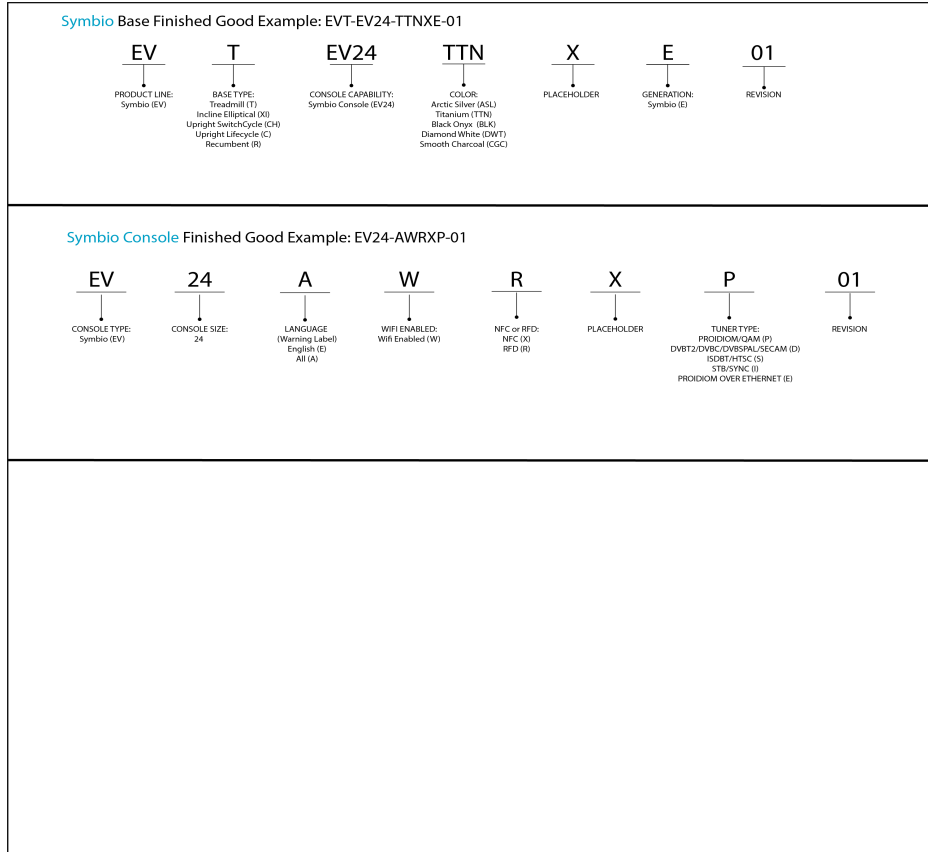


LifeFitness
WHAT WE LIVE FOR

Table of Contents

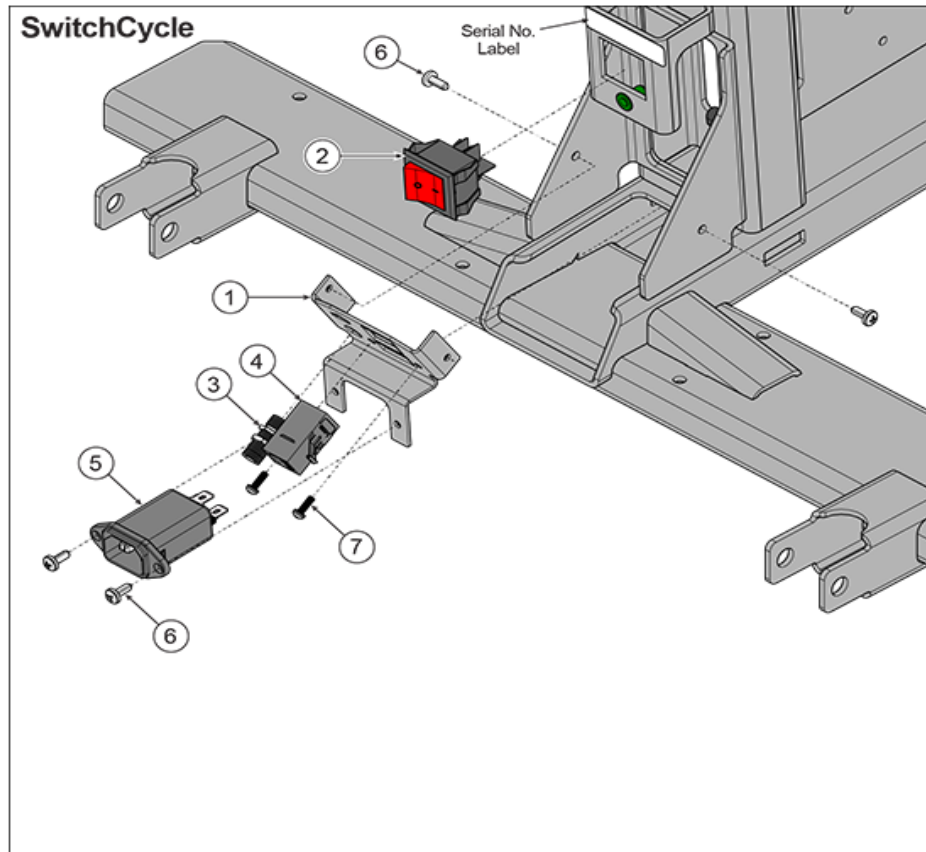
A Legend Description	3
Comm Port Assembly	4
Console and Shroud Assembly	5
Drive Pulley and Tensioner Assembly	6
Fore Aft Assembly	7
Front Covers	8
Generator and Power Supply	10
Handlebar Assembly	11
Hardware Pack	12
Lower Board	13
Monocolumn Shroud Assembly and Cup Holder	14
Pedals and Crank Arms	15
Power Cords	16
Seat Frame Components	17
Seat Post Assembly	18
Side Covers and Light Rings	19
Stabilizer Castings and Leveling Feet	20
Tray Assembly	22
Wiring Diagram - Base	23
Wiring Diagram - Console to Handlebar Assembly	24
Wiring Diagram - Console to Wireless Charger	25

A Legend Description



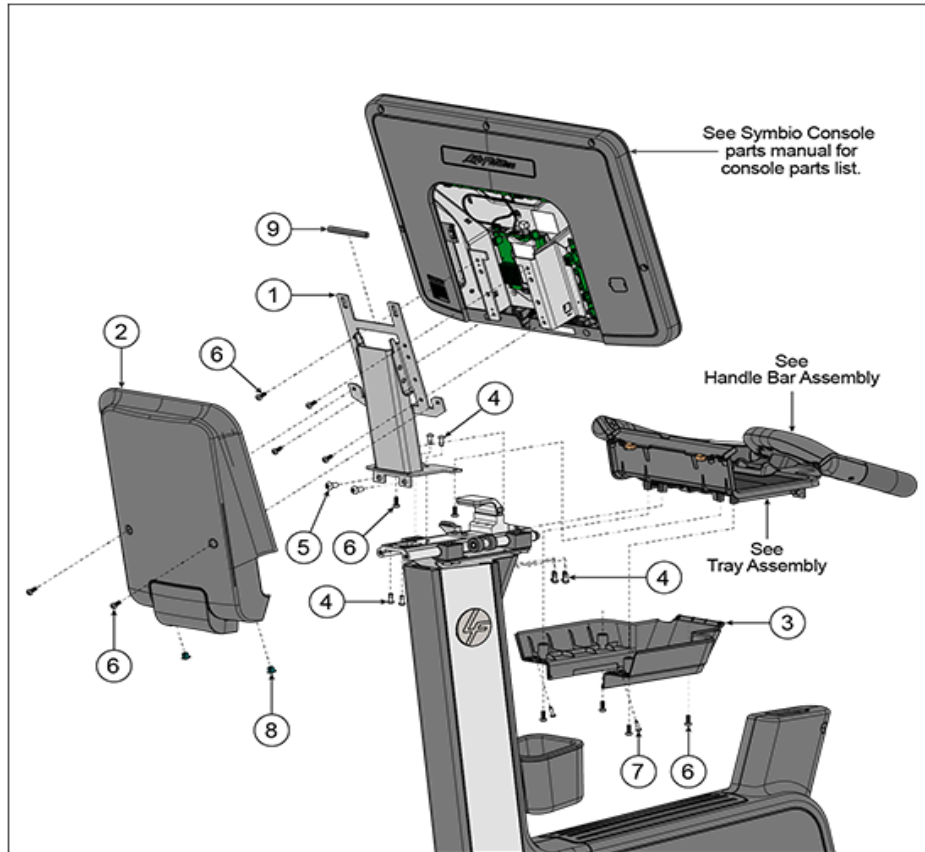
Ref #	Part Number	Qty	Description
-	LEGEND_DESCRIP TION	1	LEGEND DESCRIPTION

Comm Port Assembly



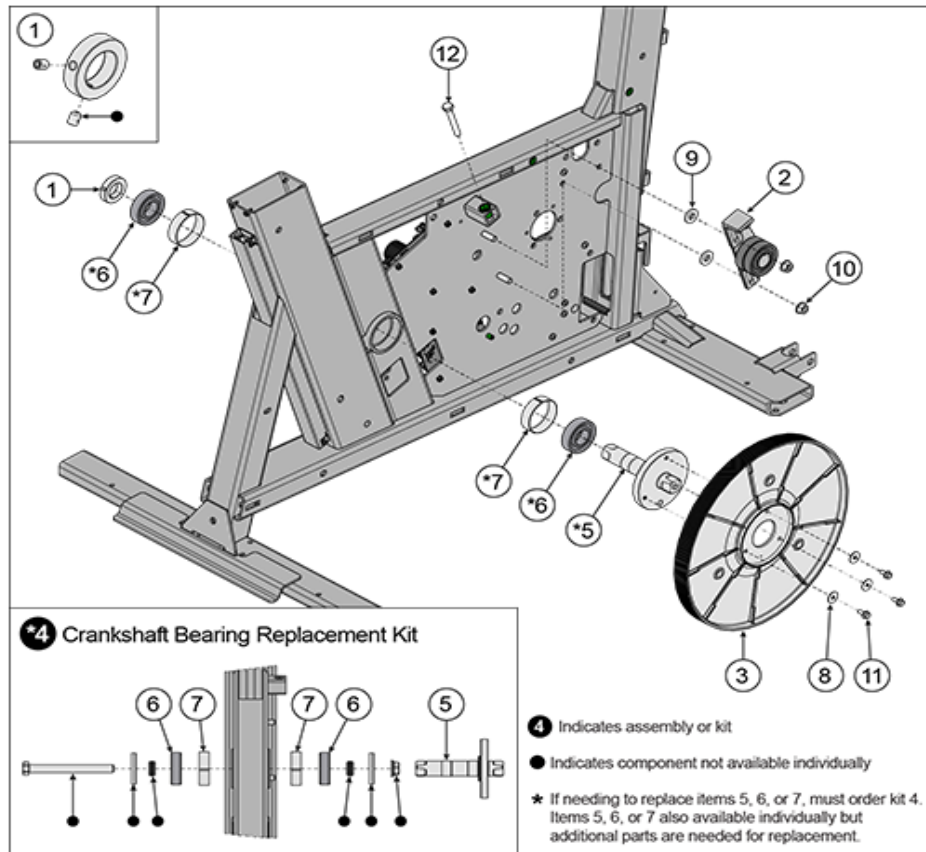
Ref #	Part Number	Qty	Description
1	1019204-0001	1	BRACKET: COM PORT
2	0017-00032-0198	1	SWITCH: POWER, DPST ROCKER
3	0017-00021-2846	1	CONNECTOR: COAX, PANEL MOUNT
4	0017-00021-3195	1	COUPLER: CAT5E, SHIELDED, RJ45
5	1023566-0001	1	CONNECTOR: LINE FILTER, IEC
6	0017-00101-1968	4	SCREW: M4 X 0.7 X 10, PHL, PAN, TT, ST, ZS
7	0017-00101-2016	2	SCREW: M3 X 0.5 6G6G X 10, DIN, PHL, PAN, E, MS, ST, ZN

Console and Shroud Assembly



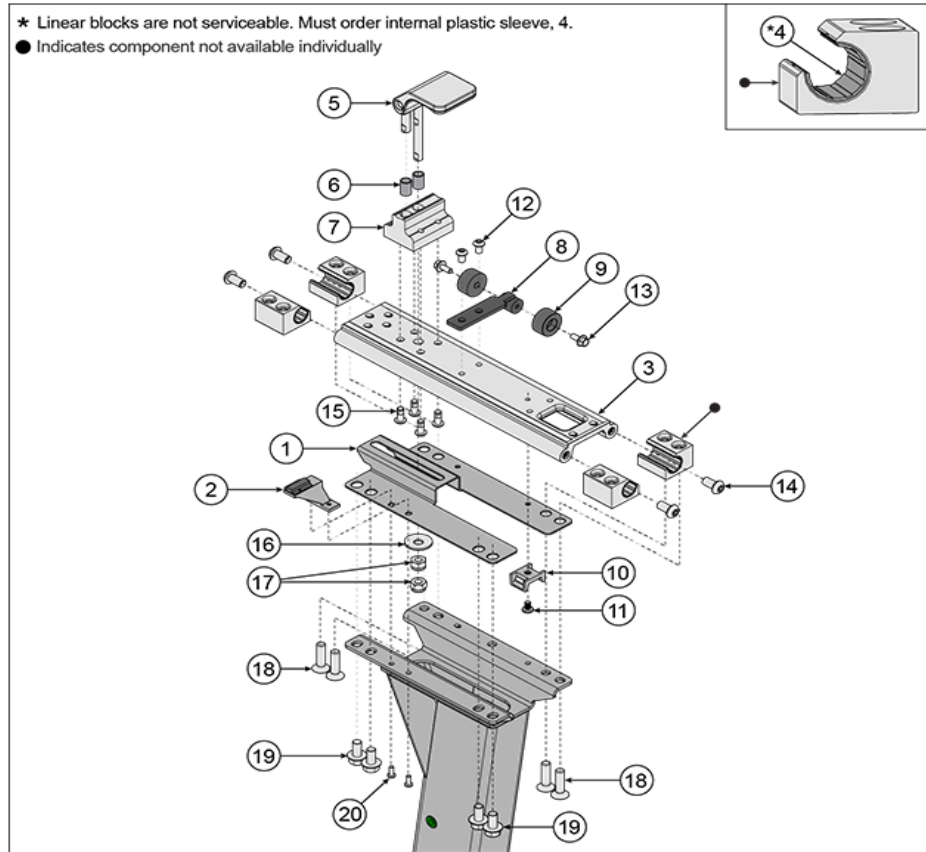
Ref #	Part Number	Qty	Description
1	1018144-0701	1	WELDMNT: CONSOLE MOUNT, BLACK
2	1019933-0001	1	SHROUD ASSY: TRAY, CONSOLE BACK
3	1019930-0001	1	SHROUD: TRAY, LOWER
4	0017-00101-2014	8	SCREW: M6 X 1-6G6H X 14, DIN, HEX, BUT, L, ST, ZB
5	0017-00101-2007	2	SCREW: M8 X 1.25 6G6G X 16, HEX, BUT, CS, ST
6	0017-00101-1972	12	SCREW: M5 X 0.8 X 14, PHL, PAN, MS, ST, BZ
7	0017-00101-1796	2	SCREW: M4.2 X 0.7 6G6G X 19, DIN, PHL, PAN, AB, ST, ZB
8	0017-00042-1147	2	GROMMET: SCREW, 8 OR 10
9	1021563-0001	1	TRIM: EDGE, 1/8", 85MM

Drive Pulley and Tensioner Assembly



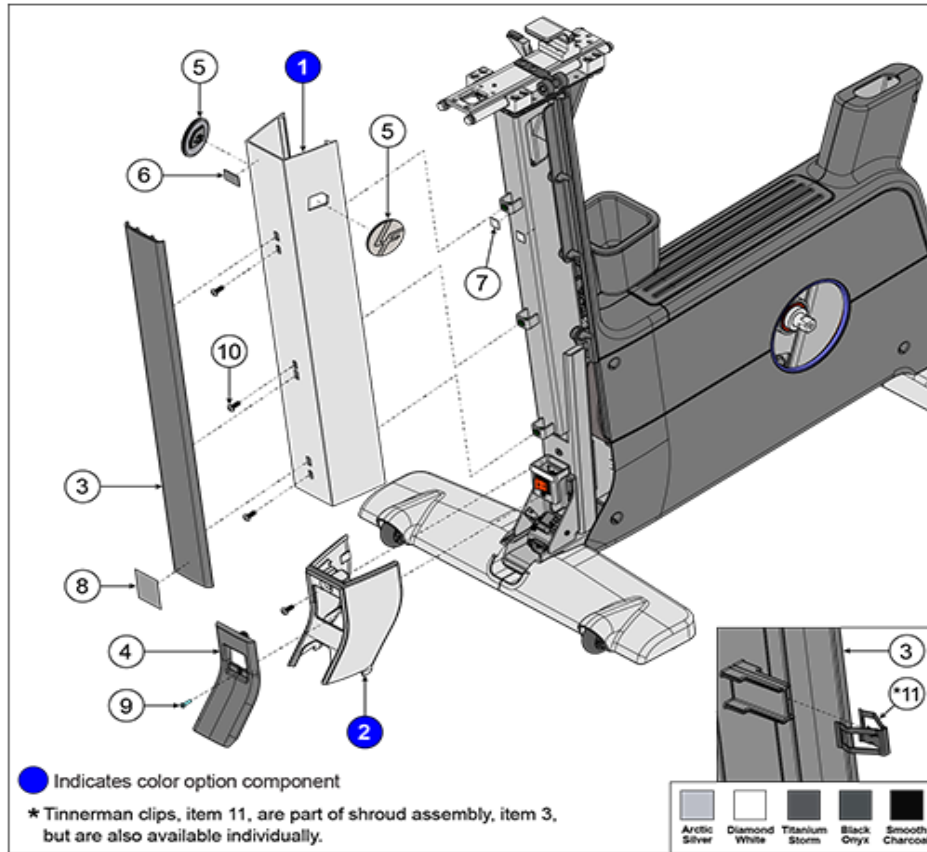
Ref #	Part Number	Qty	Description
1	1009112-0001	1	COLLAR: M25, SHAFT
2	1001619-0001	1	ASSEMBLY: IDLER
3	1021788-0001	1	PULLEY: MOLDED, J10, 309MM
4	1024796-0001	1	KIT: CRANKSHAFT BEARING REPLACEMENT
5	1022255-0001	1	SHAFT: PULLEY
6	0017-00006-0285	2	BEARING: M25 X 52 X 15, BALL
7	FC030007	2	RING: M52 X 15, TOLERANCE
8	0K66-01130-0000	3	WASHER: M5.5 X 18 X 1.45, PULLEY, GENERATOR
9	0017-00104-0263	2	WASHER: 0.406 X 0.875 X 0.125, FL, ST
10	1013499-0001	2	NUT: M8 X 1.25-6H, HEX, LOCK, ZINC, CLASS 10
11	0017-00101-2151	3	SCREW: M5 X 0.8 6G6G X 12, FLANGE, HEAD, CS, G5, CD
12	0017-00101-2002	1	SCREW: M8 X 1.25-6G6G X 60, DIN, UNS, HEX, CS, G5, CD

Fore Aft Assembly



Ref #	Part Number	Qty	Description
1	1021396-0001	1	ASSEMBLY: FORE/AFT CLAMP BRACKET
2	1021557-0001	1	ASSEMBLY: TARGET MOUNT
3	1020174-0001	1	ASSEMBLY: RAIL, FORE/AFT
4	1025664-0001	4	BEARING: LINEAR, DRYLIN R, 16MM
5	1018379-0001	1	ASSEMBLY: CAM
6	1018901-0001	2	BEARING: M8 X 10 X 15, SLEEVE
7	1018380-0001	1	BASE: CAM
8	1019011-0701	1	WELDMENT: RAIL STOP, BLACK
9	0K62-01121-0000	2	PAD: FOOT
10	1019763-0001	1	MOUNT: CABLE TIE
11	0017-00101-2141	1	SCREW: M5 X 0.8 X 8, PHL, PAN, ST, ZB
12	1006331-0001	2	SCREW: M6 X 1.0 X 10, HXS, BUT, CS, ST, BZ
13	0017-00101-2151	2	SCREW: M5 X 0.8 6G6G X 12, FLANGE, HEAD, CS, G5, CD
14	0017-00101-2007	4	SCREW: M8 X 1.25 6G6G X 16, HEX, BUT, CS, ST
15	0017-00101-2014	4	SCREW: M6 X 1-6G6H X 14, DIN, HEX, BUT, L, ST, ZB
16	1023567-0001	1	WASHER: 3/8 X 1.0 X 0.116, SPC, ST
17	0017-00103-0333	2	NUT: M8 X 1.25-6H6H, DIN, LOCKING, ST, ZN
18	1021626-0001	4	SCREW: M8 X 1.25 X 30, TRX, FLT, BZ
19	0017-00101-2129	4	M8X1.25X16 6G6G DIN UNS HEX FLG ST ZB
20	1010103-0001	2	SCREW: M4 X 1.79 X 10, PHL, PAN, PLT, ST, ZC

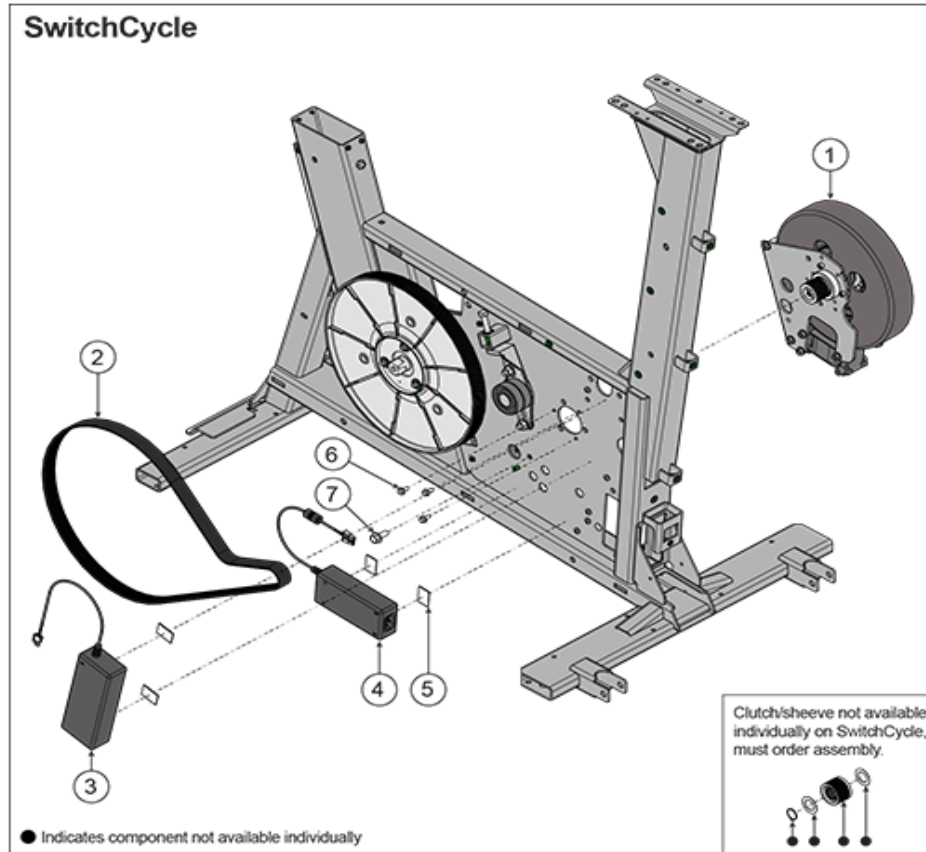
Front Covers



Ref #	Part Number	Qty	Description
1B	1019918-2101	1	EXTRUSION: MONOCOLUMN, UPRIGHT, PEARLESENT WHITE
1A	1019918-0101	1	EXTRUSION: MONOCOLUMN, UPRIGHT, ARCTIC SILVER
1C	1019918-2201	1	EXTRUSION: MONOCOLUMN, UPRIGHT, TITANIUM
1E	1019918-2601	1	EXTRUSION: MONOCOLUMN, UPRIGHT, SMOOTH CHAR GRAY
1D	1019918-2301	1	EXTRUSION: MONOCOLUMN, UPRIGHT, METALLIC BLACK
2B	1019912-2101	1	CASTING: STABILIZER, FRONT, TRANSITION, PEARLESENT WHITE
2C	1019912-2201	1	CASTING: STABILIZER, FRONT, TRANSITION, TITANIUM
2D	1019912-2301	1	CASTING: STABILIZER, FRONT, TRANSITION, METALLIC BLACK
2E	1019912-2601	1	CASTING: STABILIZER, FRONT, TRANSITION, SMOOTH CHAR GRAY
2A	1019912-0101	1	CASTING: STABILIZER, FRONT, TRANSITION, ARCTIC SILVER
3	1019921-0002	1	SHROUD ASSY: FRONT, UPPER, UPRIGHT
4	1019920-0001	2	SHROUD: FRONT, BOTTOM, UPRIGHT
5	1019548-0001	2	ASSEMBLY: LF LED BUG

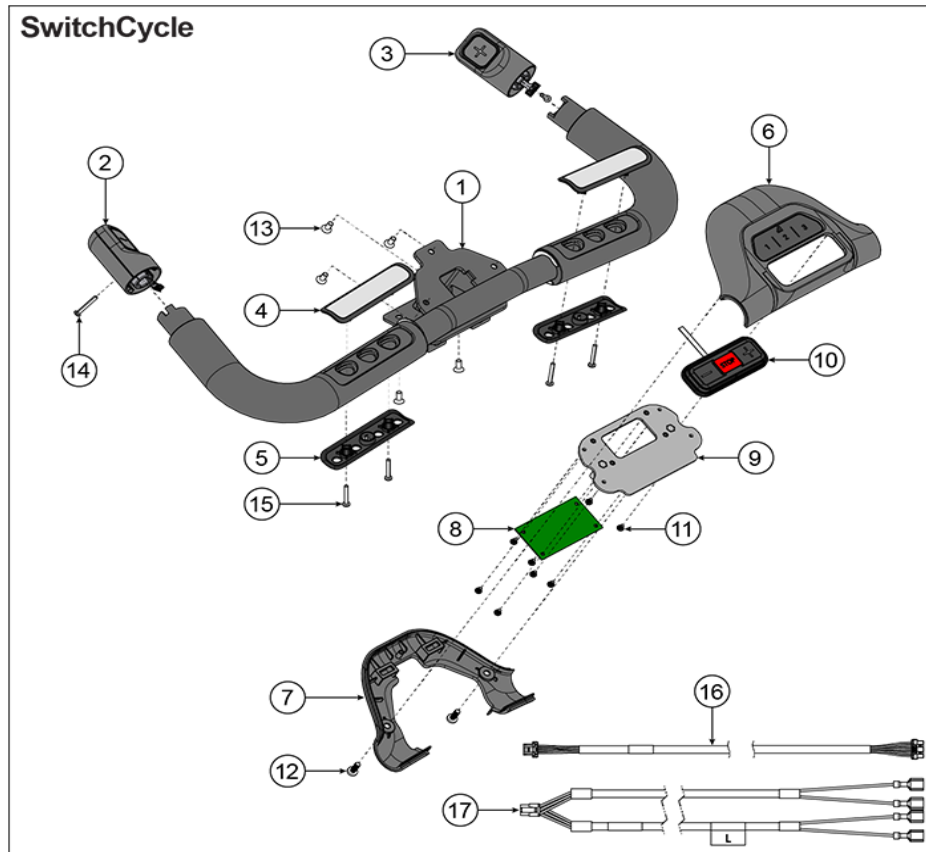
Ref #	Part Number	Qty	Description
6	0017-00081-0346	1	TAPE: ADHESIVE, DOUBLE-SIDED
7	0K19-01222-0000	2	TAPE: ADHESIVE, DOUBLE-SIDED
8	1022871-0001	1	LABEL: EVEREST NON-TREADMILL COMPLIANCE
9	1023067-0001	1	SCREW: M4 X 0.70-6G6G X 16, PHL, PAN, MS, ST
10	0017-00101-2138	4	SCREW: M6 X 1.0 X 16, DIN, PHL, PAN, MS, ST, ZB
11	1002263-0001	3	CLIP: M9.55 X 16.5, FASTENER, SPRING

Generator and Power Supply



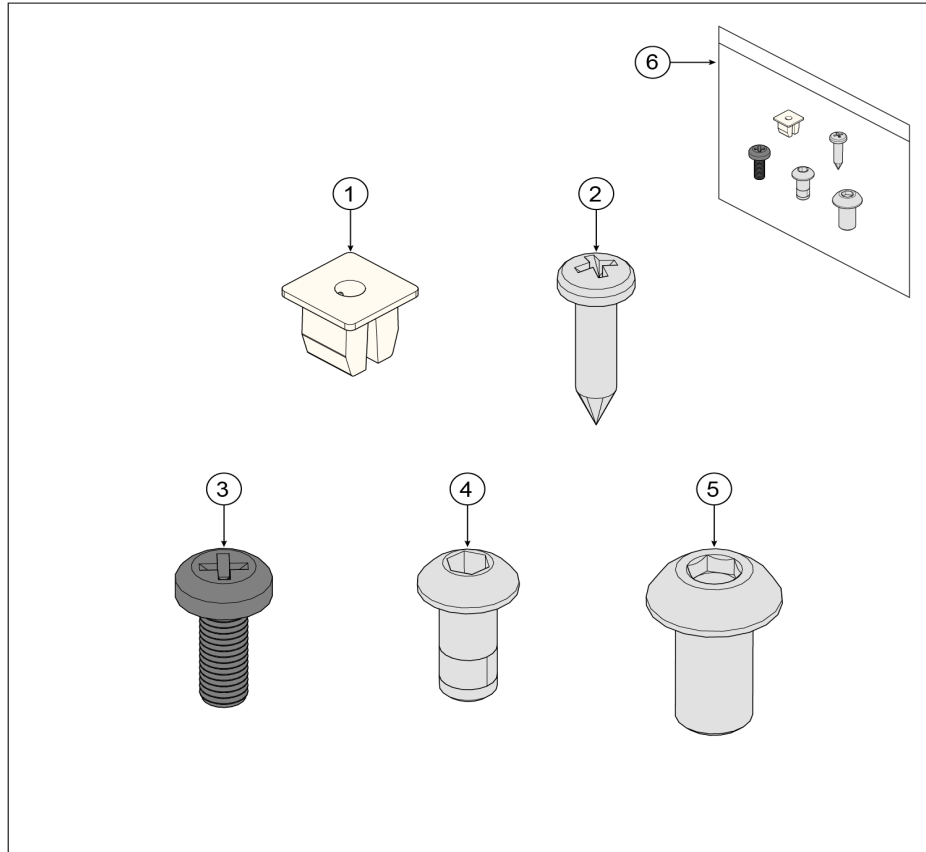
Ref #	Part Number	Qty	Description
1	1024432-0001	1	ASSEMBLY: GENERATOR AND SHEAVE, HYBRID
2	1019701-0003	1	BELT: POLY V, 500J10
3	1019350-0001	1	POWER SUPPLY: 40VDC, 120W
4	1022188-0001	1	POWER SUPPLY: 24VDC, 5A
5	0017-00081-0346	4	TAPE: ADHESIVE, DOUBLE-SIDED
6	0017-00101-2151	3	SCREW: M5 X 0.8 6G6G X 12, FLANGE, HEAD, CS, G5, CD
7	0017-00101-2150	1	SCREW: M8 X 1.25 6G6H X 20, UHS, HXW, CS, ST, ZB

Handlebar Assembly



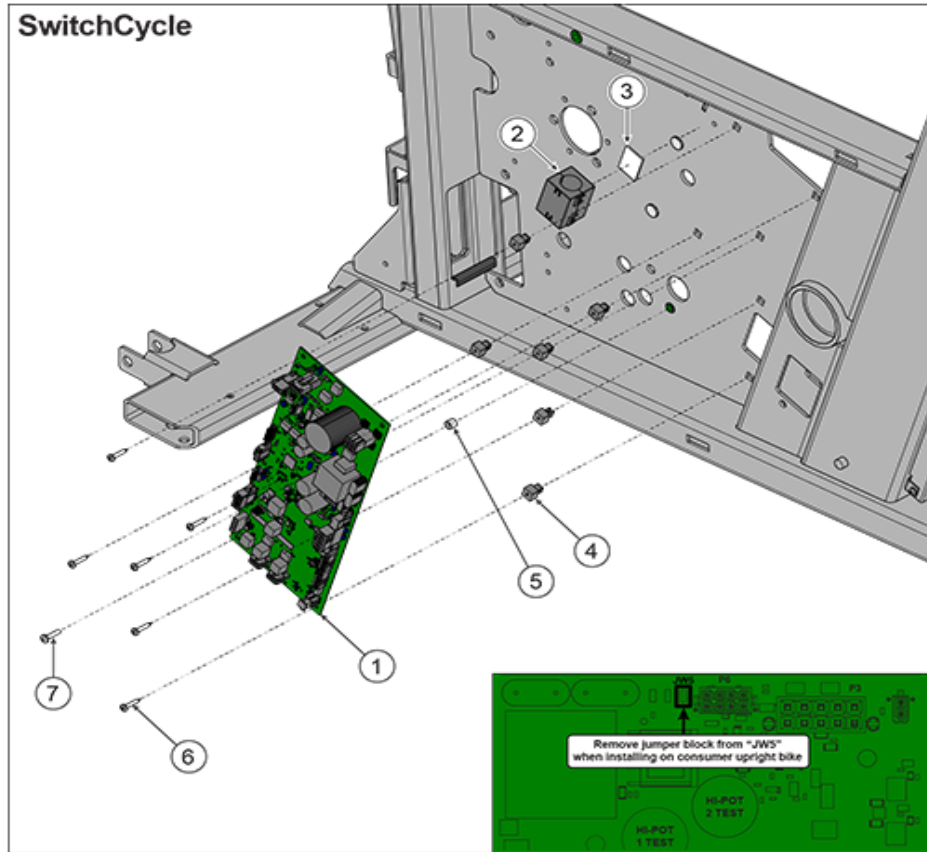
Ref #	Part Number	Qty	Description
1	1023673-0001	1	ASSEMBLY: HANDLEBAR, UPRIGHT, OVERMOLDED, TRIMMED
2	1019965-0002	1	ASSEMBLY: SWITCH, UPRIGHT, RESISTANCE, DECREASE
3	1019965-0001	1	ASSEMBLY: SWITCH, END CONTROL, RIGHT
4	AK69-00139-0001	2	Electrode Top
5	AK69-00140-0001	2	Electrode Bottom
6	1019445-0001	1	ASSEMBLY: NEUTRAL GRIP, UPPER
7	1019944-0001	1	SHROUD ASSY: HANDLEBAR, NEUTRAL GRIP, LOWER
8	1023819-0011	1	MAIN PCB ASSY: EVEREST UB HUB FOR MEMBRANE KEYPAD
9	1021396-0001	1	ASSEMBLY: FORE/AFT CLAMP BRACKET
10	1019814-0001	1	KEYPAD: UPRIGHT, CLUTCHLESS
11	0017-00101-1971	8	SCREW: M3 X 0.5 6G6G X 6, DIN, PHL, PAN, MS, ST, ZN
12	0017-00101-1972	2	SCREW: M5 X 0.8 X 14, PHL, PAN, MS, ST, BZ
13	1020799-0001	5	SCREW: M5 X 0.8-6G6G X 12, HKA, FLT, MS, ST
14	1023354-0001	2	SCREW: 6-19 X 16, PHL, PAN, PLT, ST
15	0017-00101-2054	4	SCREW: 6-19 X 16, PHL, PAN, HLS, ST, ZN
16	1021400-0001	2	CABLE: KEYPAD EXTENSION
17	1021107-0002	1	CABLE: HR ELECTRODES TO CABLE, 300MM

Hardware Pack



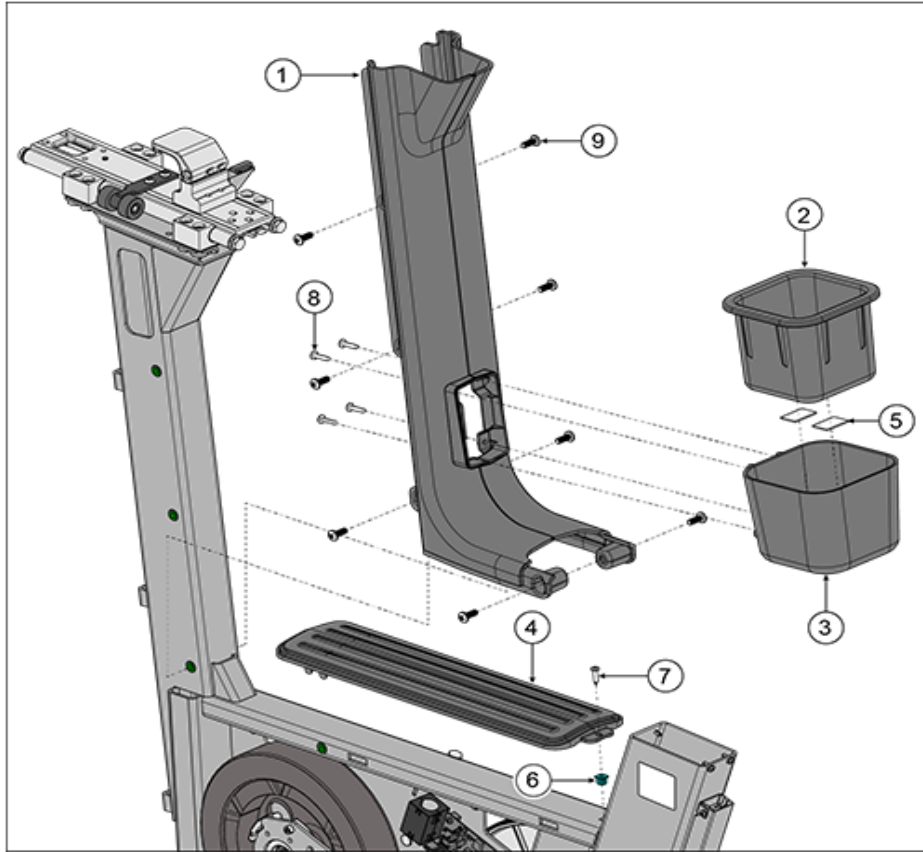
Ref #	Part Number	Qty	Description
1	0017-00042-1147	2	GROMMET: SCREW, 8 OR 10
2	0017-00101-1796	2	SCREW: M4.2 X 0.7 6G6G X 19, DIN, PHL, PAN, AB, ST, ZB
3	0017-00101-1972	12	SCREW: M5 X 0.8 X 14, PHL, PAN, MS, ST, BZ
4	0017-00101-2014	8	SCREW: M6 X 1-6G6H X 14, DIN, HEX, BUT, L, ST, ZB
5	0017-00101-2007	4	SCREW: M8 X 1.25 6G6G X 16, HEX, BUT, CS, ST
6	1024006-0001	1	HARDWARE KIT: ASSEMBLY, SYMBIO UPRIGHT BIKE

Lower Board



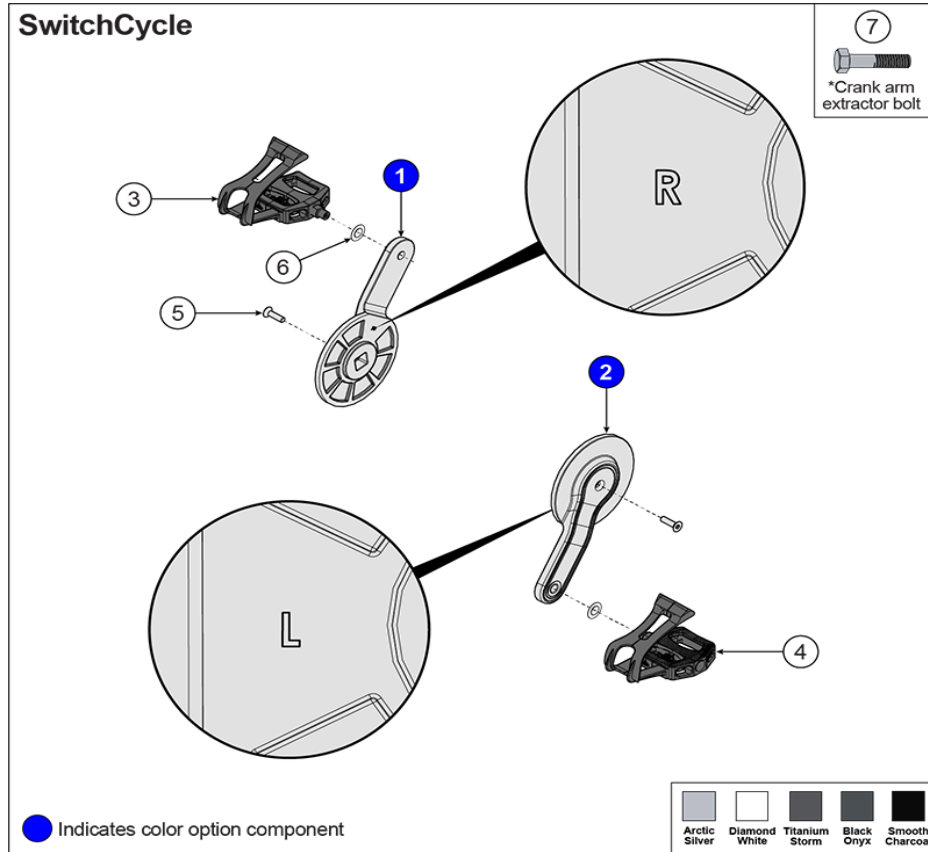
Ref #	Part Number	Qty	Description
1	1017804-0013	1	MAIN PCB ASSY: PNC CLUTCHLESS
2	121E-00001-0023	1	FERRITE: SUPPRESSION, CORE-CASE
3	0017-00081-0346	1	TAPE: ADHESIVE, DOUBLE-SIDED
4	0017-00042-0821	6	GROMMET: SCREW, #6
5	1013169-0001	1	SPACER: M5.3 X 8 X 7, ALUMINUM
6	0017-00101-1838	6	SCREW: M3.5 X 1.3 6G6G X 19, PHL, PAN, AB, ST, ZN
7	1023067-0001	1	SCREW: M4 X 0.70-6G6G X 16, PHL, PAN, MS, ST

Monocolumn Shroud Assembly and Cup Holder



Ref #	Part Number	Qty	Description
1	1020435-0001	1	SHROUD ASSY: MONOCOLUMN, UPRIGHT
2	1019923-0001	1	CUPHOLDER: INSERT
3	1020434-0001	1	SHROUD: CUPHOLDER, HOLDER
4	1019959-0001	1	SHROUD: TOP, STEP, UPRIGHT
5	0017-00081-0346	2	TAPE: ADHESIVE, DOUBLE-SIDED
6	0017-00042-1147	1	GROMMET: SCREW, 8 OR 10
7	0017-00101-1796	1	SCREW: M4.2 X 0.7 6G6G X 19, DIN, PHL, PAN, AB, ST, ZB
8	HT592515	4	SCREW: #10 X 3/4, PHL, PAN, PLT, ST
9	0017-00101-2138	8	SCREW: M6 X 1.0 X 16, DIN, PHL, PAN, MS, ST, ZB

Pedals and Crank Arms



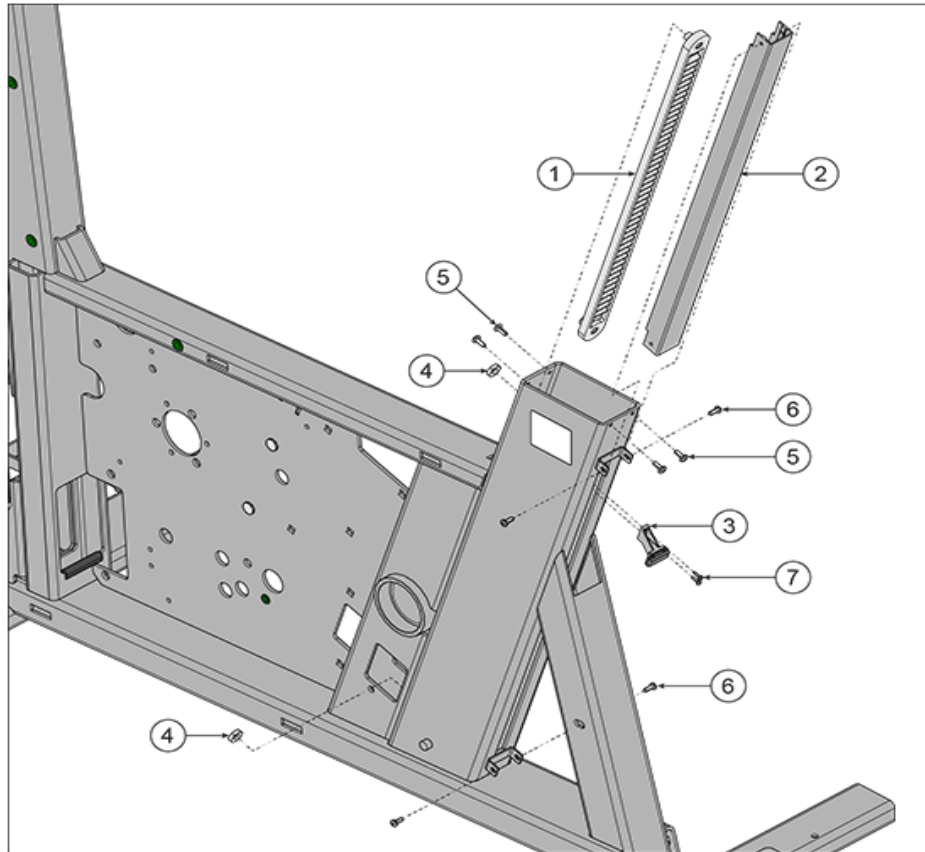
Ref #	Part Number	Qty	Description
1D	1019924-2301	1	CRANKARM: RIGHT, METALLIC BLACK
1C	1019924-2201	1	CRANKARM: RIGHT, TITANIUM
1E	1019924-2601	1	CRANKARM: RIGHT, SMOOTH CHAR GRAY
1A	1019924-0101	1	CRANKARM: RIGHT, ARCTIC SILVER
1B	1019924-2101	1	CRANKARM: RIGHT, PEARLESENT WHITE
2C	1019925-2201	1	CRANKARM: LEFT, TITANIUM
2E	1019925-2601	1	CRANKARM: LEFT, SMOOTH CHAR GRAY
2D	1019925-2301	1	CRANKARM: LEFT, METALLIC BLACK
2A	1019925-0101	1	CRANKARM: LEFT, ARCTIC SILVER
2B	1019925-2101	1	CRANKARM: LEFT, PEARLESENT WHITE
3	1022253-0001	1	PEDAL ASSY: W/STRAP, TOE CAGE, LEFT
4	1022254-0001	1	PEDAL ASSY: W/STRAP, TOE CAGE, RIGHT
5	1021626-0001	2	SCREW: M8 X 1.25 X 30, TRX, FLT, BZ
6	1024668-0001	2	WASHER: .578 X 1.062 X .05, FLT, SS, ZB
7	1025561-0001	1	SCREW: M12 X 1.50 X 30, HEX, UNS, 10.9

Power Cords

①			98.4", 250cm
②			98.4", 250cm
③			72", 183cm
④			98.4", 250cm
⑤			72", 183cm
⑥			98.4", 250cm

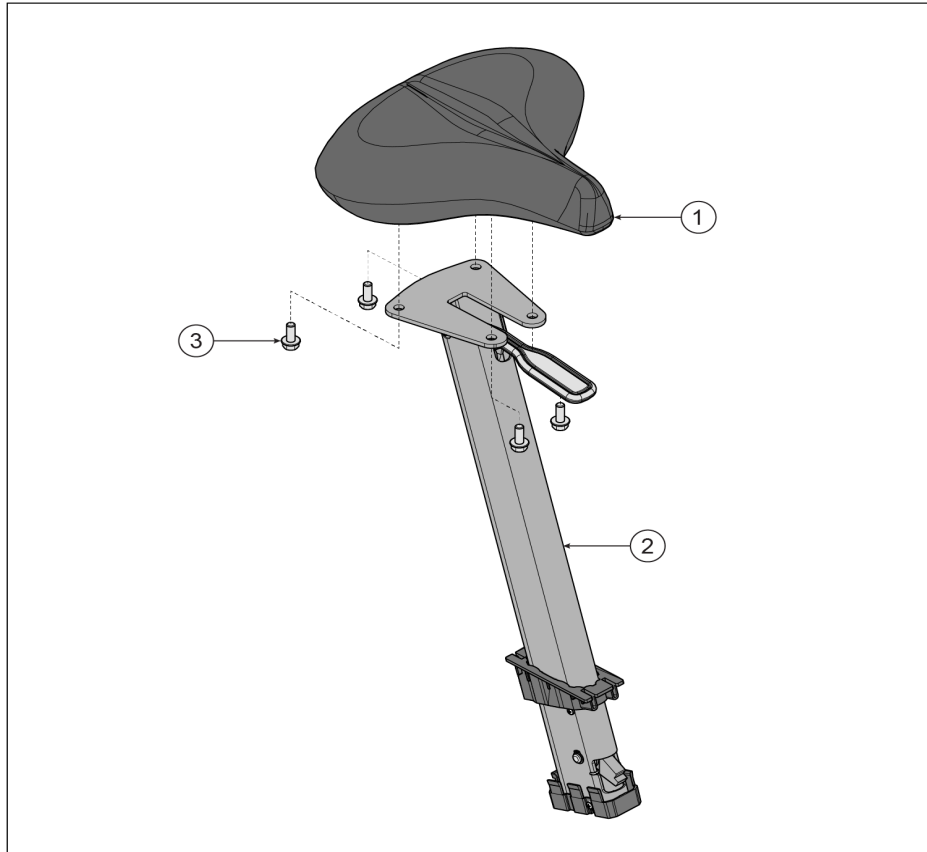
Ref #	Part Number	Qty	Description
1	0017-00003-0704	1	LINE-CORD: DOM. 10A 125V B
2	0017-00003-0889	1	LINE-CORD: 10A; U.K B
3	0017-00003-1067	1	LINE-CORD: ARGENTINA, IRAM 2073, IEC-C13
4	0017-00003-0918	1	LINE-CORD: AUSTRALIA B
5	0017-00003-1053	1	LINE-CORD: BRAZIL, IEC-C13
6	0017-00003-0691	1	LINE-CORD: CON 10A 250V B

Seat Frame Components



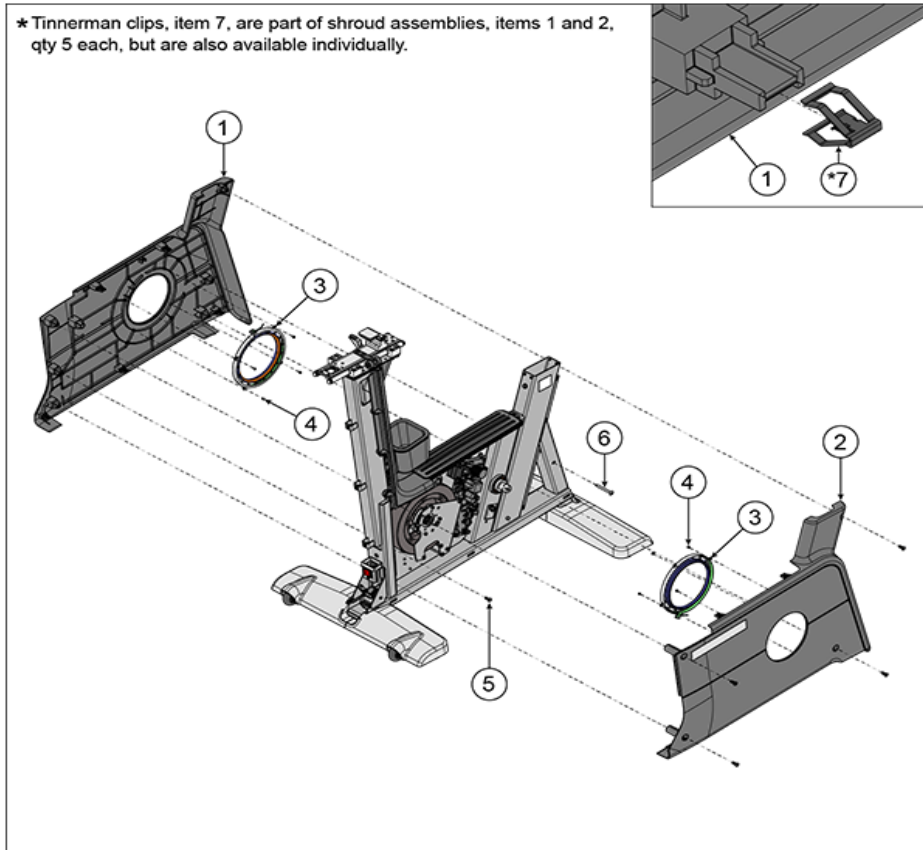
Ref #	Part Number	Qty	Description
1	1022354-0001	1	RACK ASSY: UP-DOWN
2	1018783-0001	1	ASSEMBLY: TARGET BOARD, BRACKET
3	1019206-0001	1	ASSEMBLY: TARGET SENSOR, SEAT
4	0017-00103-0338	2	VMI NUT M8X1.25-6H6H DIN L THIN ST ZB B
5	0017-00101-1968	4	SCREW: M4 X 0.7 X 10, PHL, PAN, TT, ST, ZS
6	1010103-0001	4	SCREW: M4 X 1.79 X 10, PHL, PAN, PLT, ST, ZC
7	1009931-0001	2	SCREW: M2.5 x 0.45 x 8, PHL, PAN, TT, ST

Seat Post Assembly



Ref #	Part Number	Qty	Description
1	1022928-0001	1	SEAT: UPHOLSTERED, UPRIGHT BIKES
2	0017-00101-2150	1	SCREW: M8 X 1.25 6G6H X 20, UHS, HXW, CS, ST, ZB
3	1022256-0001	4	ASSEMBLY: SEAT POST

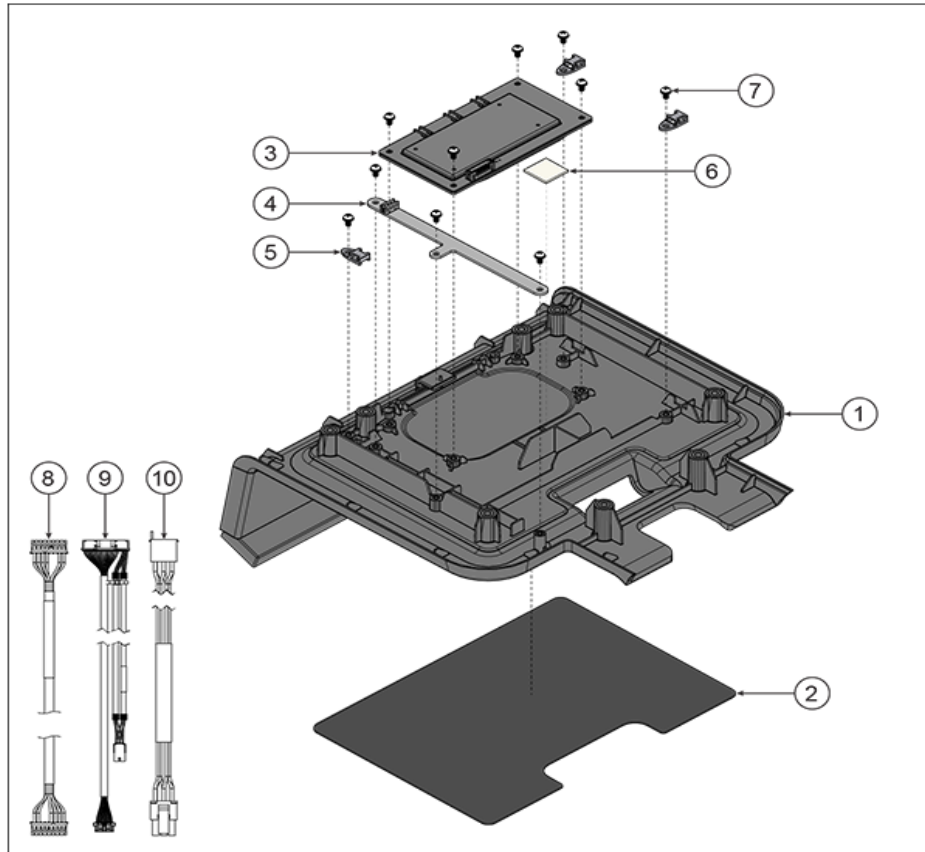
Side Covers and Light Rings



Ref #	Part Number	Qty	Description
1	1024802-0001	1	ASSEMBLY: SHROUD WITH DECAL, UPRIGHT BIKE, RIGHT
2	1024801-0001	1	ASSEMBLY: SHROUD WITH DECAL, UPRIGHT BIKE, LEFT
3	1022342-0001	2	ASSEMBLY: LIGHT RING, BIKE CRANK
4	0017-00101-1971	8	SCREW: M3 X 0.5 6G6G X 6, DIN, PHL, PAN, MS, ST, ZN
5	0017-00101-2138	1	SCREW: M6 X 1.0 X 16, DIN, PHL, PAN, MS, ST, ZB
6	1022740-0001	1	SCREW: M6 X 1.0 -6G6G X 60, PHL, TRS, MS, ST
7	1002263-0001	10	CLIP: M9.55 X 16.5, FASTENER, SPRING

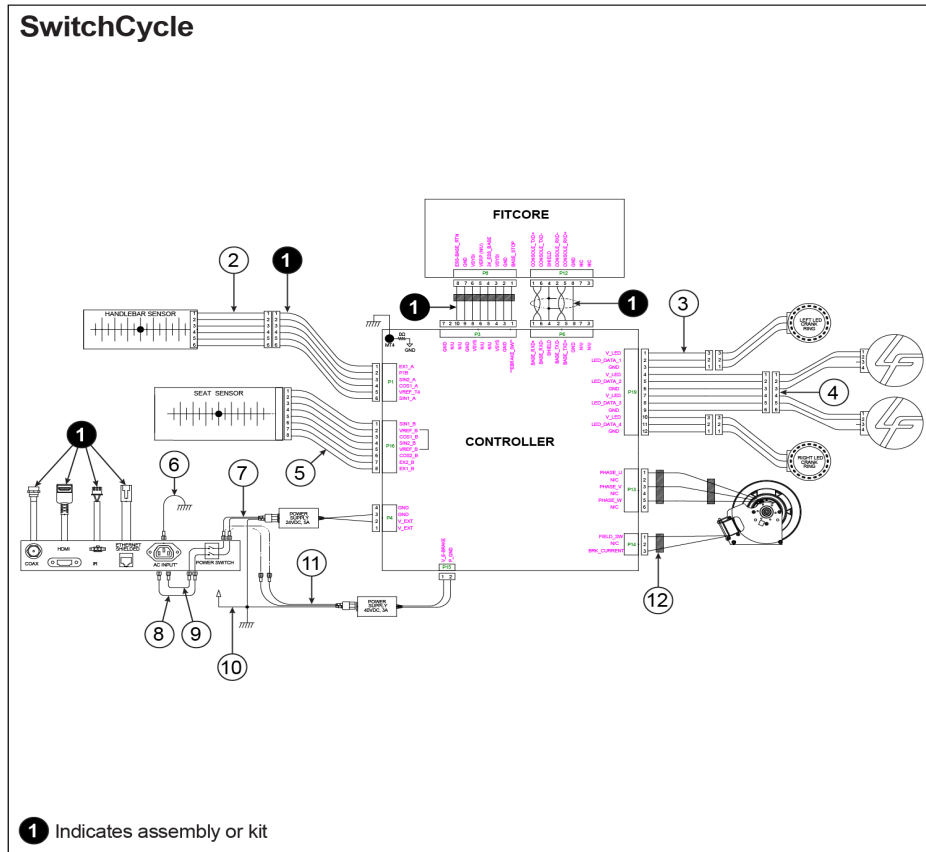
Ref #	Part Number	Qty	Description
3D	1020101-2201	14	CASTING: STABILIZER, REAR, RIGHT, TITANIUM
4A	1019910-0101	16	CASTING: STABILIZER, REAR, LEFT, ARCTIC SILVER
4D	1019910-2201	19	CASTING: STABILIZER, REAR, LEFT, TITANIUM
4C	1019910-2101	18	CASTING: STABILIZER, REAR, LEFT, PEARLESENT WHITE
4B	1019910-2601	17	CASTING: STABILIZER, REAR, LEFT, SMOOTH CHAR GRAY
4E	1019910-2301	20	CASTING: STABILIZER, REAR, LEFT, METALLIC BLACK
5	1020846-0001	4	INSERT: M10 X 1.5 X 19.75, INTERNAL, ST
6	AK62-00124-0000	4	LEVELER: LEG, ASSEMBLY
7	1019546-0001	2	SHAFT: M10, WHEEL
8	1011049-0001	4	RING: M10, E-RING, ST
9	1010977-0001	2	WHEEL: NON-TREAD
10	1020317-0001	12	SCREW: M5 X 0.8 X 30, PHL, PAN, ST, ZB

Tray Assembly



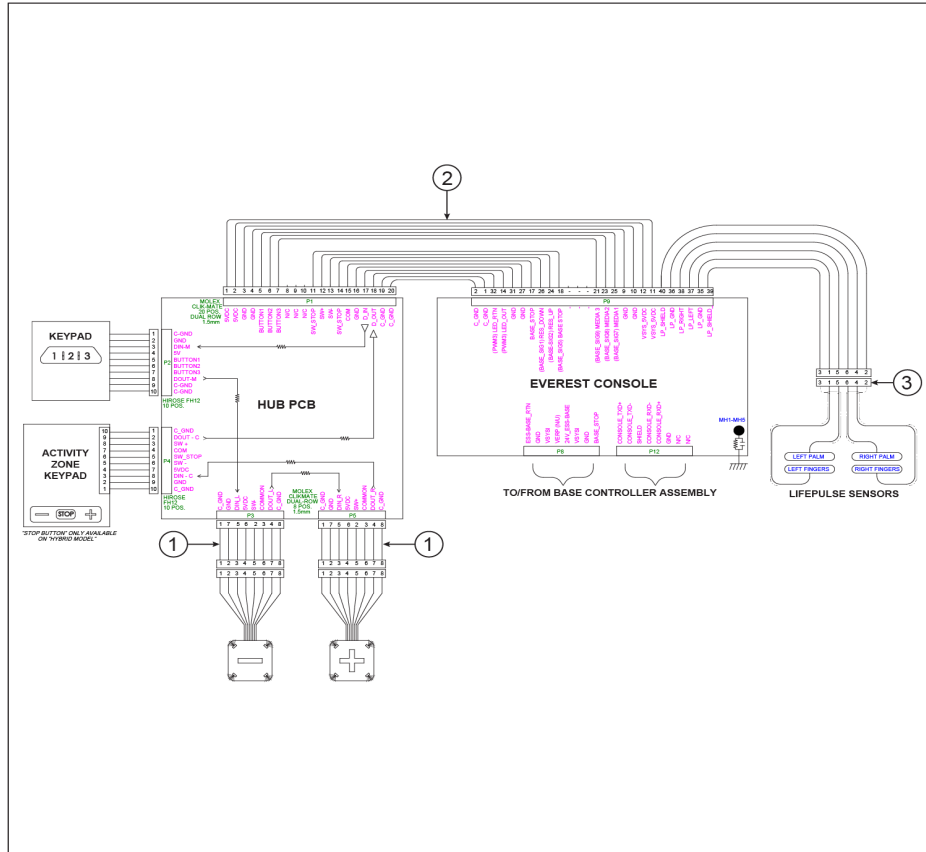
Ref #	Part Number	Qty	Description
1	1019927-0001	1	SHROUD ASSY: TRAY, UPPER
2	1021547-0001	1	PAD ASSY: WIRELESS CHARGER, ADHESIVE
3	1011883-0001	1	PCB ASSY: SE4, WIRELESS CHARGER
4	1021657-0011	1	MAIN PCB ASSY: TYPE1 100MM LINEAR SENSOR MH
5	1020367-0001	3	CABLE TIE: MOUNT, 4 WAY
6	0017-00042-1155	1	CABLE TIE: ADHESIVE-BACKED
7	0017-00101-1971	10	SCREW: M3 X 0.5 6G6G X 6, DIN, PHL, PAN, MS, ST, ZN
8	1014289-0002	1	CABLE ASSY: WIRELESS CHARGER, 12V & UART
9	1023650-0001	1	CABLE: FITCORE TO UPRIGHT HUB
10	1020716-0001	1	CABLE ASSY: HANDLEBAR SENSOR, EVEREST UPRIGHT

Wiring Diagram - Base



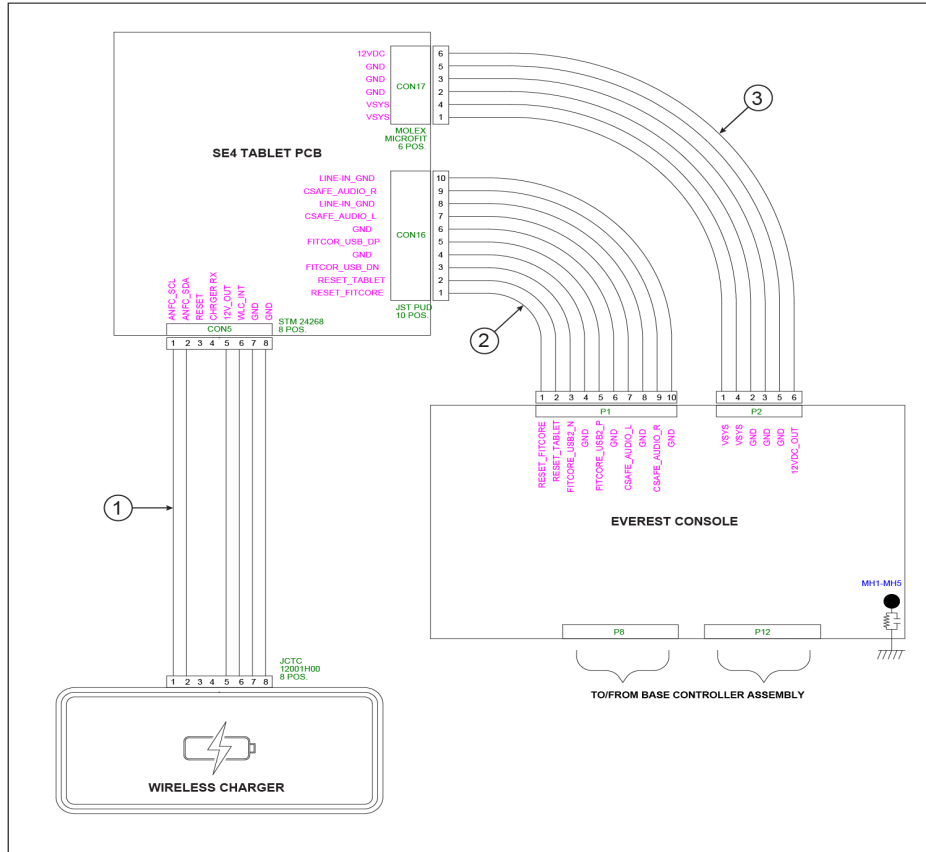
Ref #	Part Number	Qty	Description
1	1024804-0001	1	ASSEMBLY: WIRE HARNESS, SWITCHCYCLE
2	1020716-0001	1	CABLE ASSY: HANDLEBAR SENSOR, EVEREST UPRIGHT
3	1023652-0001	1	CABLE: BASE LIGHTING, 1271MM
4	1023653-0001	1	CABLE: LF BUG, Y SPLITTER
5	1020715-0001	1	CABLE: SEAT SENSOR, 305MM
6	1004201-0001	1	CABLE: GROUND
7	1023063-0001	1	CABLE: LINE FILTER TO POWER SUPPLY
8	1004046-0005	1	CABLE: POWER INPUT, WHITE, 330.2MM
9	1004046-0006	1	CABLE: POWER INPUT, BLACK, 330.2MM
10	1012728-0002	1	CABLE: GROUND, MOTOR
11	1021399-0001	1	CABLE ASSY: BRICK POWER SUPPLY
12	121E-00001-0023	1	FERRITE: SUPPRESSION, CORE-CASE

Wiring Diagram - Console to Handlebar Assembly



Ref #	Part Number	Qty	Description
1	1021400-0001	1	CABLE: KEYPAD EXTENSION
2	1023650-0001	1	CABLE: FITCORE TO UPRIGHT HUB
3	1021107-0002	1	CABLE: HR ELECTRODES TO CABLE, 300MM

Wiring Diagram - Console to Wireless Charger



Ref #	Part Number	Qty	Description
1	1014289-0002	1	CABLE ASSY: WIRELESS CHARGER, 12V & UART
2	1014282-0001	1	CABLE: USB RNDIS COMM TABLET & FITCORE
3	1014283-0001	1	CABLE: POWER VSYS FITCORE TO TABLET 12-24V

