

Symbio Upright Lifecycle Diamond White Base

EVC-EV24-DWTXE-01

Parts Manual

6/19/2024 15:23:32 PM

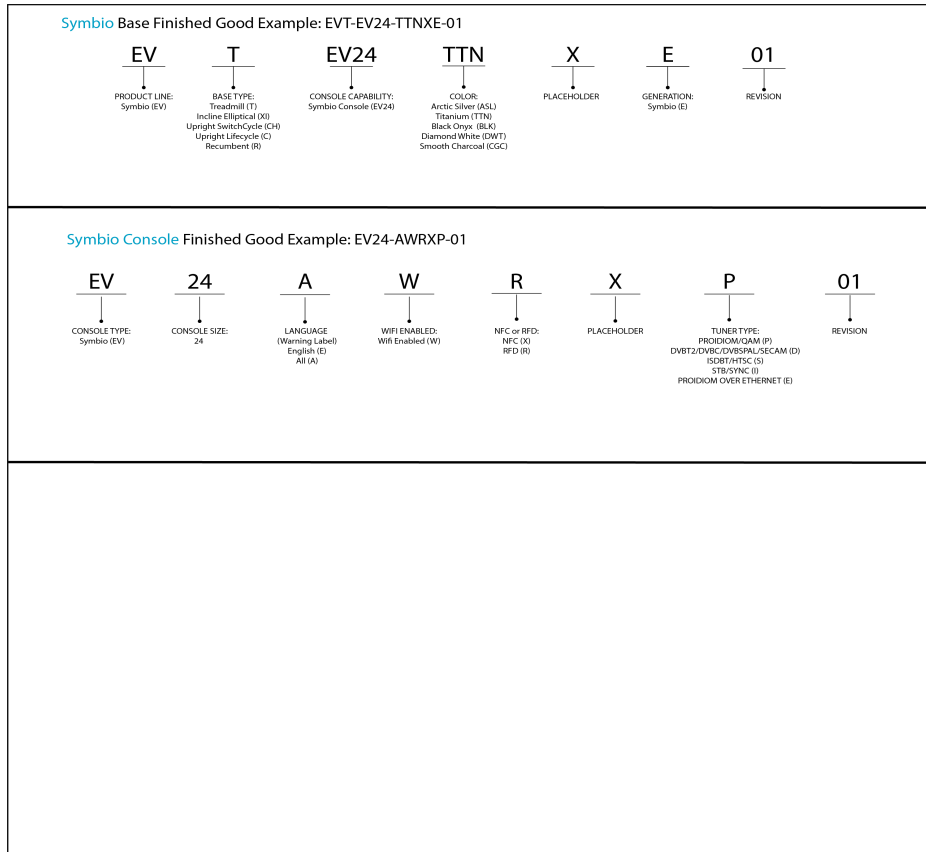


LifeFitness
WHAT WE LIVE FOR

Table of Contents

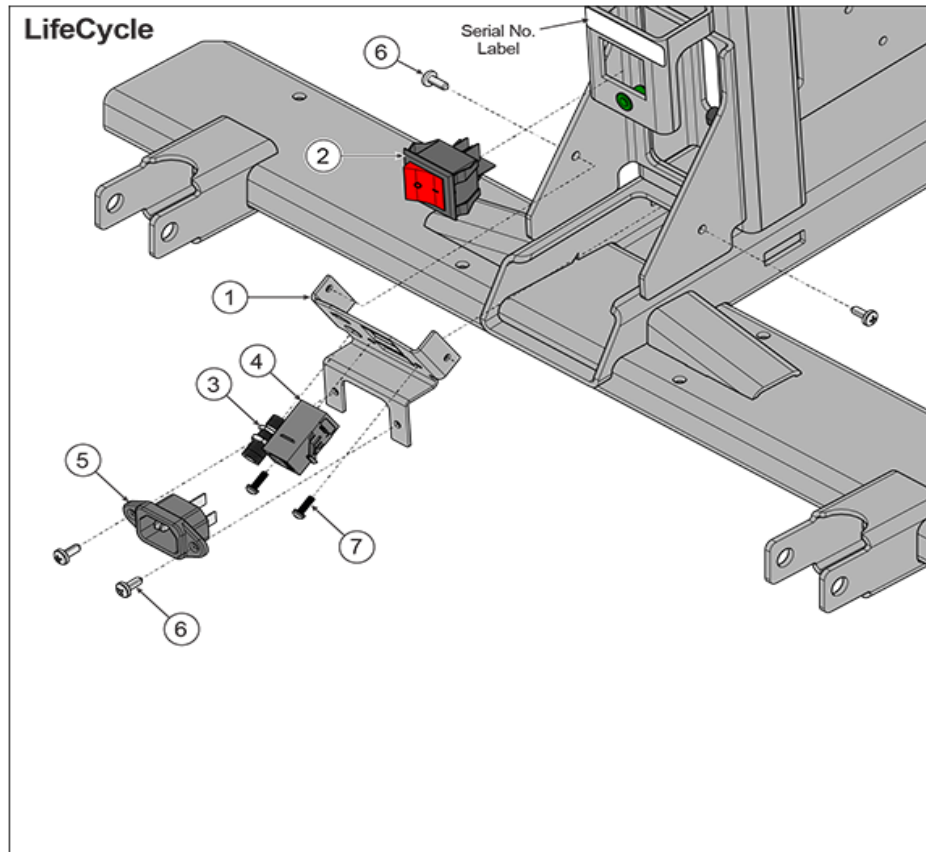
[A Legend Description](#).....3
[Comm Port Assembly](#).....4
[Console and Shroud Assembly](#).....5
[Drive Pulley and Tensioner Assembly](#).....6
[Fore Aft Assembly](#).....7
[Front Covers](#).....8
[Generator and Power Supply](#).....10
[Handlebar Assembly](#).....11
[Hardware Pack](#).....12
[Lower Board](#).....13
[Monocolumn Shroud Assembly and Cup Holder](#).....14
[Pedals and Crank Arms](#).....15
[Power Cords](#).....16
[Seat Frame Components](#).....17
[Seat Post Assembly](#).....18
[Side Covers and Light Rings](#).....19
[Stabilizer Castings and Leveling Feet](#).....20
[Tray Assembly](#).....22
[Wiring Diagram - Base](#).....23
[Wiring Diagram - Console to Handlebar Assembly](#).....24
[Wiring Diagram - Console to Wireless Charger](#).....25

A Legend Description



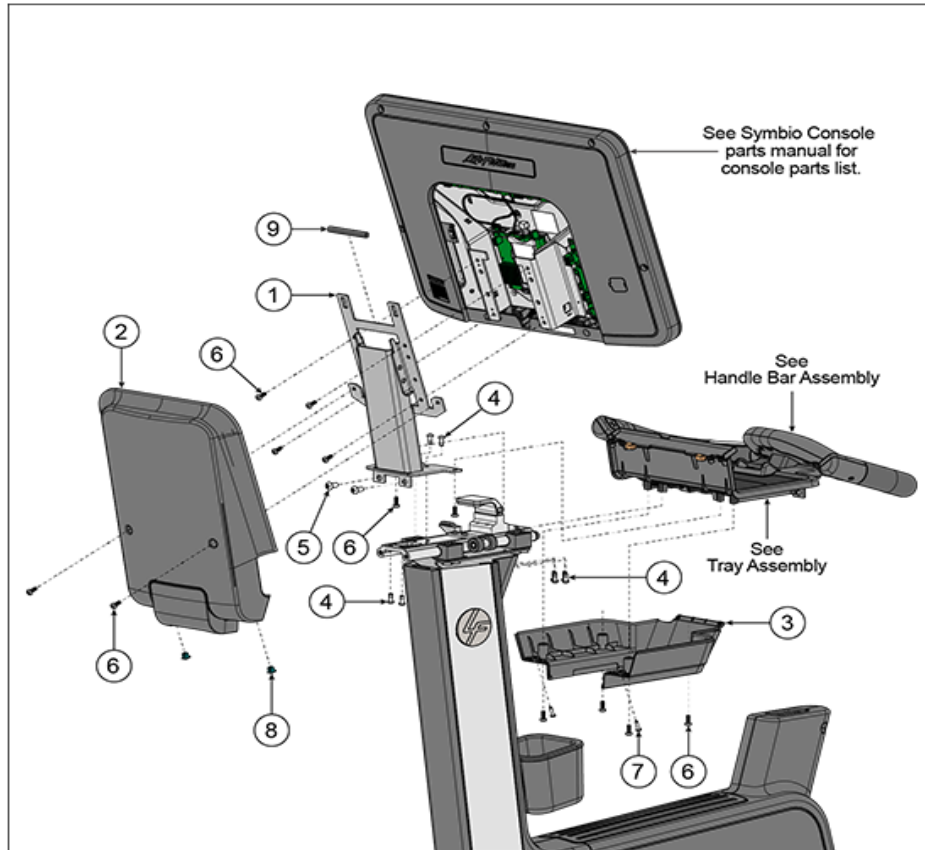
| Ref # | Part Number | Qty | Description |
|-------|--------------------|-----|--------------------|
| - | LEGEND_DESCRIPTION | 1 | LEGEND DESCRIPTION |

Comm Port Assembly



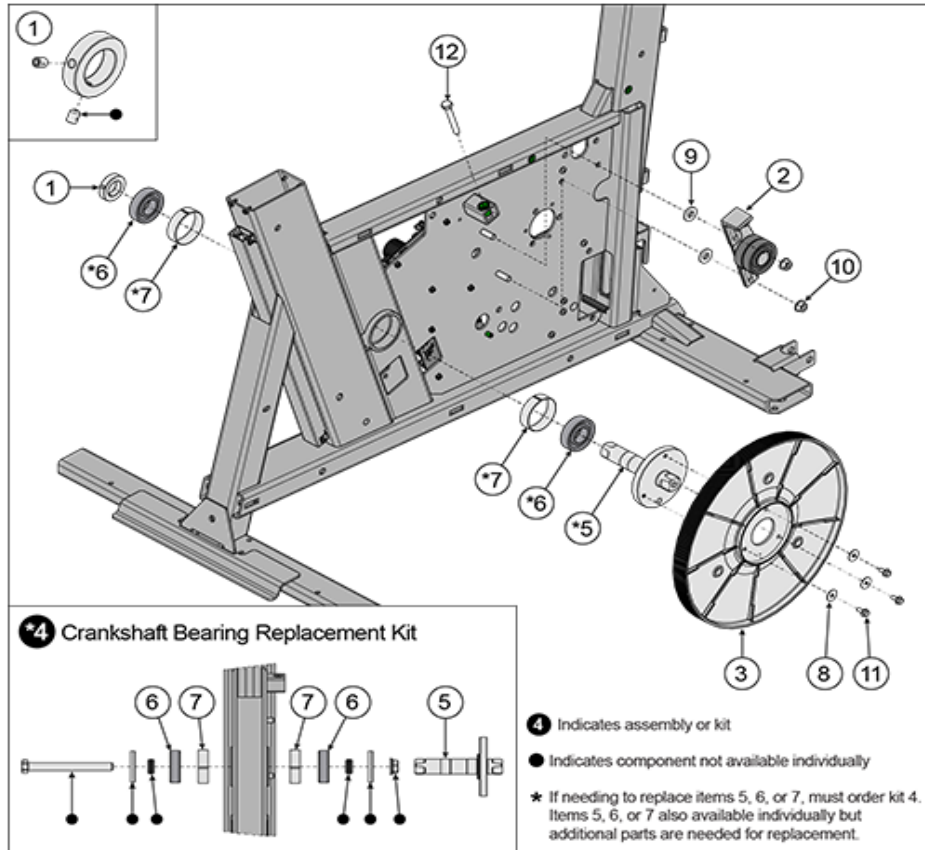
| Ref # | Part Number | Qty | Description |
|-------|-----------------|-----|---|
| 1 | 1019204-0001 | 1 | BRACKET: COM PORT |
| 2 | 0017-00032-0198 | 1 | SWITCH: POWER, DPST ROCKER |
| 3 | 0017-00021-2846 | 1 | CONNECTOR: COAX, PANEL MOUNT |
| 4 | 0017-00021-3195 | 1 | COUPLER: CAT5E, SHIELDED, RJ45 |
| 5 | 0017-00003-1090 | 1 | RECEPTACLE: IEC, PANEL MOUNT, 15A 250V AC |
| 6 | 0017-00101-1968 | 4 | SCREW: M4 X 0.7 X 10, PHL, PAN, TT, ST, ZS |
| 7 | 0017-00101-2016 | 2 | SCREW: M3 X 0.5 6G6G X 10, DIN, PHL, PAN, E, MS, ST, ZN |

Console and Shroud Assembly



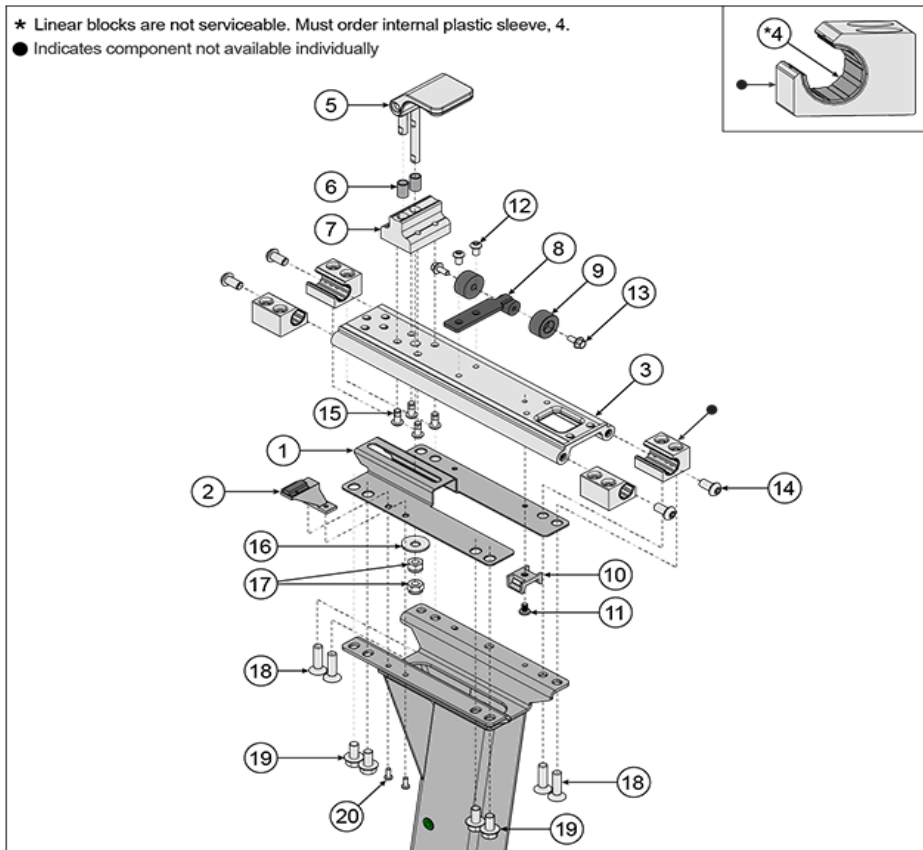
| Ref # | Part Number | Qty | Description |
|-------|-----------------|-----|--|
| 1 | 1018144-0701 | 1 | WELDMENT: CONSOLE MOUNT, BLACK |
| 2 | 1019933-0001 | 1 | SHROUD ASSY: TRAY, CONSOLE BACK |
| 3 | 1019930-0001 | 1 | SHROUD: TRAY, LOWER |
| 4 | 0017-00101-2014 | 8 | SCREW: M6 X 1-6G6H X 14, DIN, HEX, BUT, L, ST, ZB |
| 5 | 0017-00101-2007 | 2 | SCREW: M8 X 1.25 6G6G X 16, HEX, BUT, CS, ST |
| 6 | 0017-00101-1972 | 12 | SCREW: M5 X 0.8 X 14, PHL, PAN, MS, ST, BZ |
| 7 | 0017-00101-1796 | 2 | SCREW: M4.2 X 0.7 6G6G X 19, DIN, PHL, PAN, AB, ST, ZB |
| 8 | 0017-00042-1147 | 2 | GROMMET: SCREW, 8 OR 10 |
| 9 | 1021563-0001 | 1 | TRIM: EDGE, 1/8", 85MM |

Drive Pulley and Tensioner Assembly



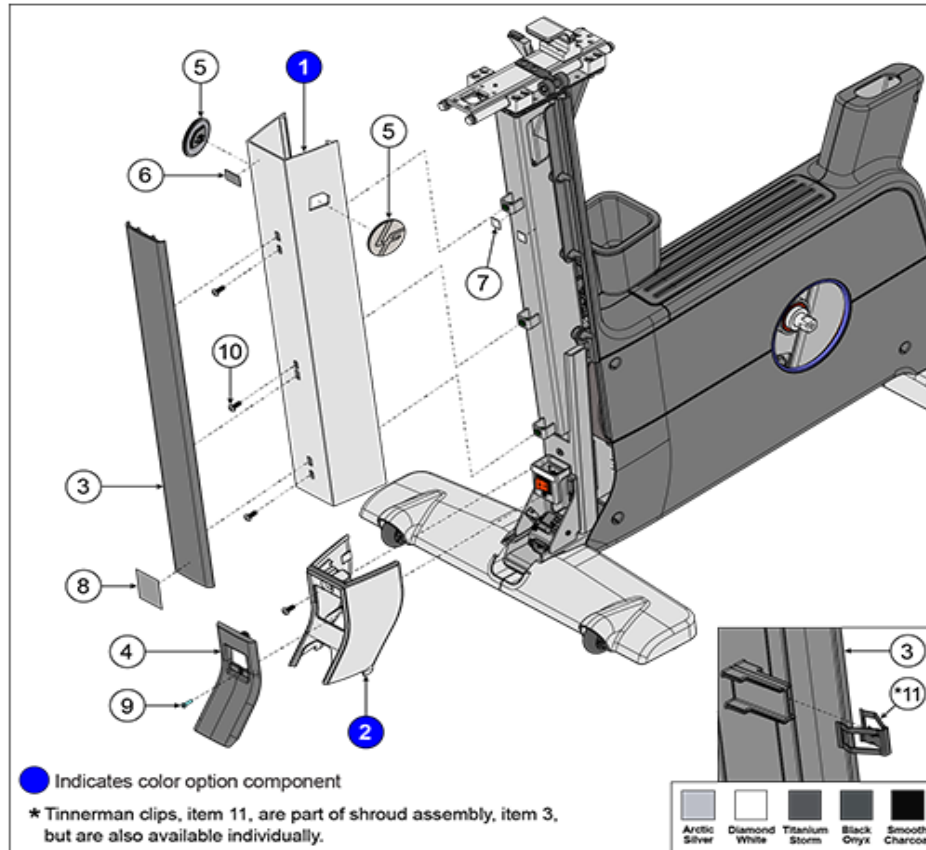
| Ref # | Part Number | Qty | Description |
|-------|-----------------|-----|---|
| 1 | 1009112-0001 | 1 | COLLAR: M25, SHAFT |
| 2 | 1001619-0001 | 1 | ASSEMBLY: IDLER |
| 3 | 1021788-0001 | 1 | PULLEY: MOLDED, J10, 309MM |
| 4 | 1024796-0001 | 1 | KIT: CRANKSHAFT BEARING REPLACEMENT |
| 5 | 1022255-0001 | 1 | SHAFT: PULLEY |
| 6 | 0017-00006-0285 | 2 | BEARING: M25 X 52 X 15, BALL |
| 7 | FC030007 | 2 | RING: M52 X 15, TOLERANCE |
| 8 | 0K66-01130-0000 | 3 | WASHER: M5.5 X 18 X 1.45, PULLEY, GENERATOR |
| 9 | 0017-00104-0263 | 2 | WASHER: 0.406 X 0.875 X 0.125, FL, ST |
| 10 | 1013499-0001 | 2 | NUT: M8 X 1.25-6H, HEX, LOCK, ZINC, CLASS 10 |
| 11 | 0017-00101-2151 | 3 | SCREW: M5 X 0.8 6G6G X 12, FLANGE, HEAD, CS, G5, CD |
| 12 | 0017-00101-2002 | 1 | SCREW: M8 X 1.25-6G6G X 60, DIN, UNS, HEX, CS, G5, CD |

Fore Aft Assembly



| Ref # | Part Number | Qty | Description |
|-------|-----------------|-----|---|
| 1 | 1021396-0001 | 1 | ASSEMBLY: FORE/AFT CLAMP BRACKET |
| 2 | 1021557-0001 | 1 | ASSEMBLY: TARGET MOUNT |
| 3 | 1020174-0001 | 1 | ASSEMBLY: RAIL, FORE/AFT |
| 4 | 1025664-0001 | 4 | BEARING: LINEAR, DRYLIN R, 16MM |
| 5 | 1018379-0001 | 1 | ASSEMBLY: CAM |
| 6 | 1018901-0001 | 2 | BEARING: M8 X 10 X 15, SLEEVE |
| 7 | 1018380-0001 | 1 | BASE: CAM |
| 8 | 1019011-0701 | 1 | WELDMENT: RAIL STOP, BLACK |
| 9 | 0K62-01121-0000 | 2 | PAD: FOOT |
| 10 | 1019763-0001 | 1 | MOUNT: CABLE TIE |
| 11 | 0017-00101-2141 | 1 | SCREW: M5 X 0.8 X 8, PHL, PAN, ST, ZB |
| 12 | 1006331-0001 | 2 | SCREW: M6 X 1.0 X 10, HXS, BUT, CS, ST, BZ |
| 13 | 0017-00101-2151 | 2 | SCREW: M5 X 0.8 6G6G X 12, FLANGE, HEAD, CS, G5, CD |
| 14 | 0017-00101-2007 | 4 | SCREW: M8 X 1.25 6G6G X 16, HEX, BUT, CS, ST |
| 15 | 0017-00101-2014 | 4 | SCREW: M6 X 1-6G6H X 14, DIN, HEX, BUT, L, ST, ZB |
| 16 | 1023567-0001 | 1 | WASHER: 3/8 X 1.0 X 0.116, SPC, ST |
| 17 | 0017-00103-0333 | 2 | NUT: M8 X 1.25-6H6H, DIN, LOCKING, ST, ZN |
| 18 | 1021626-0001 | 4 | SCREW: M8 X 1.25 X 30, TRX, FLT, BZ |
| 19 | 0017-00101-2129 | 4 | M8X1.25X16 6G6G DIN UNS HEX FLG ST ZB |
| 20 | 1010103-0001 | 2 | SCREW: M4 X 1.79 X 10, PHL, PAN, PLT, ST, ZC |

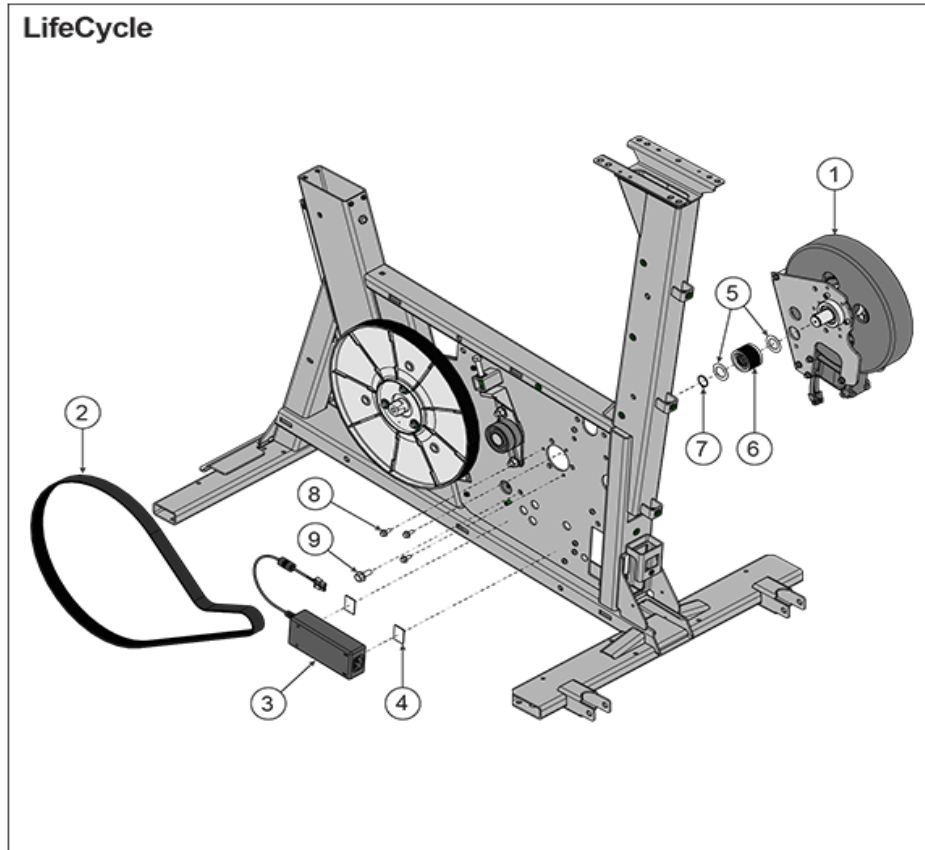
Front Covers



| Ref # | Part Number | Qty | Description |
|-------|-----------------|-----|--|
| 1B | 1019918-2101 | 1 | EXTRUSION: MONOCOLUMN, UPRIGHT, PEARLESENT WHITE |
| 1C | 1019918-2201 | 1 | EXTRUSION: MONOCOLUMN, UPRIGHT, TITANIUM |
| 1E | 1019918-2601 | 1 | EXTRUSION: MONOCOLUMN, UPRIGHT, SMOOTH CHAR GRAY |
| 1A | 1019918-0101 | 1 | EXTRUSION: MONOCOLUMN, UPRIGHT, ARCTIC SILVER |
| 1D | 1019918-2301 | 1 | EXTRUSION: MONOCOLUMN, UPRIGHT, METALLIC BLACK |
| 2E | 1019912-2601 | 1 | CASTING: STABILIZER, FRONT, TRANSITION, SMOOTH CHAR GRAY |
| 2D | 1019912-2301 | 1 | CASTING: STABILIZER, FRONT, TRANSITION, METALLIC BLACK |
| 2A | 1019912-0101 | 1 | CASTING: STABILIZER, FRONT, TRANSITION, ARCTIC SILVER |
| 2B | 1019912-2101 | 1 | CASTING: STABILIZER, FRONT, TRANSITION, PEARLESENT WHITE |
| 2C | 1019912-2201 | 1 | CASTING: STABILIZER, FRONT, TRANSITION, TITANIUM |
| 3 | 1019921-0002 | 1 | SHROUD ASSY: FRONT, UPPER, UPRIGHT |
| 4 | 1019920-0001 | 2 | SHROUD: FRONT, BOTTOM, UPRIGHT |
| 5 | 1019548-0001 | 2 | ASSEMBLY: LF LED BUG |
| 6 | 0017-00081-0346 | 1 | TAPE: ADHESIVE, DOUBLE-SIDED |

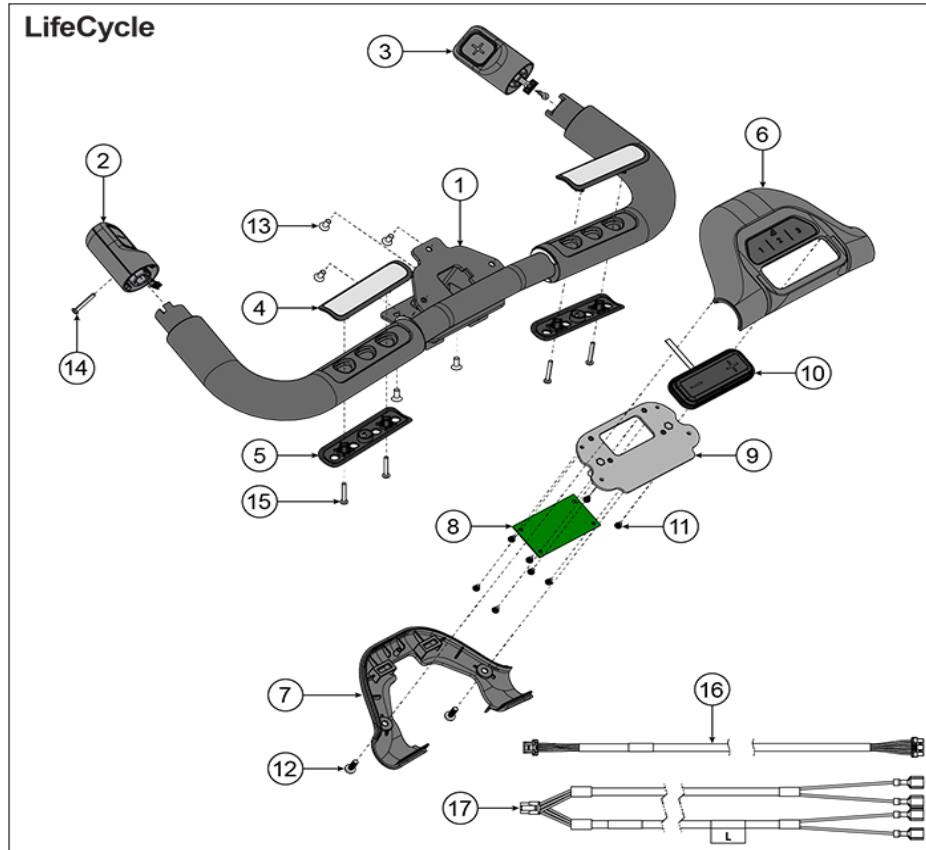
| Ref # | Part Number | Qty | Description |
|--------------|--------------------|------------|---|
| 7 | 0K19-01222-0000 | 2 | TAPE: ADHESIVE, DOUBLE-SIDED |
| 8 | 1022871-0001 | 1 | LABEL: EVEREST NON-TREADMILL COMPLIANCE |
| 9 | 1023067-0001 | 1 | SCREW: M4 X 0.70-6G6G X 16, PHL, PAN, MS, ST |
| 10 | 0017-00101-2138 | 4 | SCREW: M6 X 1.0 X 16, DIN, PHL, PAN, MS, ST, ZB |
| 11 | 1002263-0001 | 3 | CLIP: M9.55 X 16.5, FASTENER, SPRING |

Generator and Power Supply



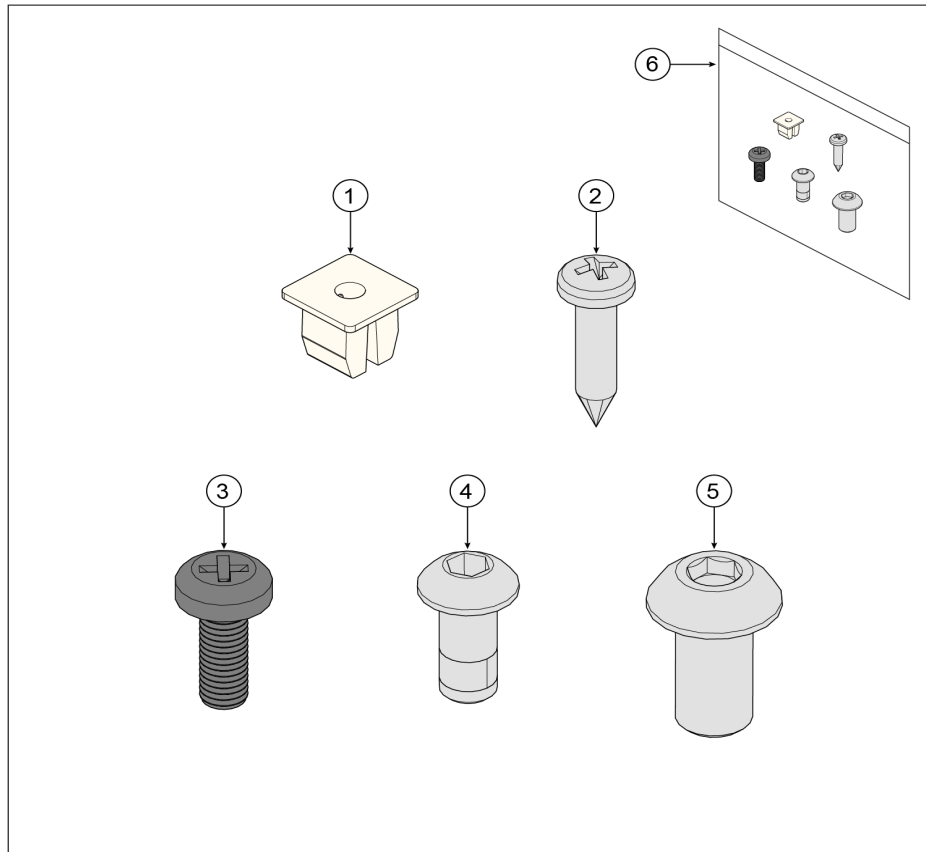
| Ref # | Part Number | Qty | Description |
|-------|-----------------|-----|---|
| 1 | 1014174-0001 | 1 | GENERATOR: BRAKE W/20MM EXT. |
| 2 | 1019701-0002 | 1 | BELT: POLY V, J10, 470J10 |
| 3 | 1022188-0001 | 1 | POWER SUPPLY: 24VDC, 5A |
| 4 | 0017-00081-0346 | 2 | TAPE: ADHESIVE, DOUBLE-SIDED |
| 5 | 0017-00104-0455 | 2 | WASHER: M20 X 31.75 X 0.79, FL, DE |
| 6 | 1022503-0001 | 1 | ASSEMBLY: CLUTCH/SHEAVE, 25MM |
| 7 | 0017-00100-0242 | 1 | RING: M19.84, RETAINING, ST, 5101-98 |
| 8 | 0017-00101-2151 | 3 | SCREW: M5 X 0.8 6G6G X 12, FLANGE, HEAD, CS, G5, CD |
| 9 | 0017-00101-2150 | 1 | SCREW: M8 X 1.25 6G6H X 20, UHS, HXW, CS, ST, ZB |

Handlebar Assembly



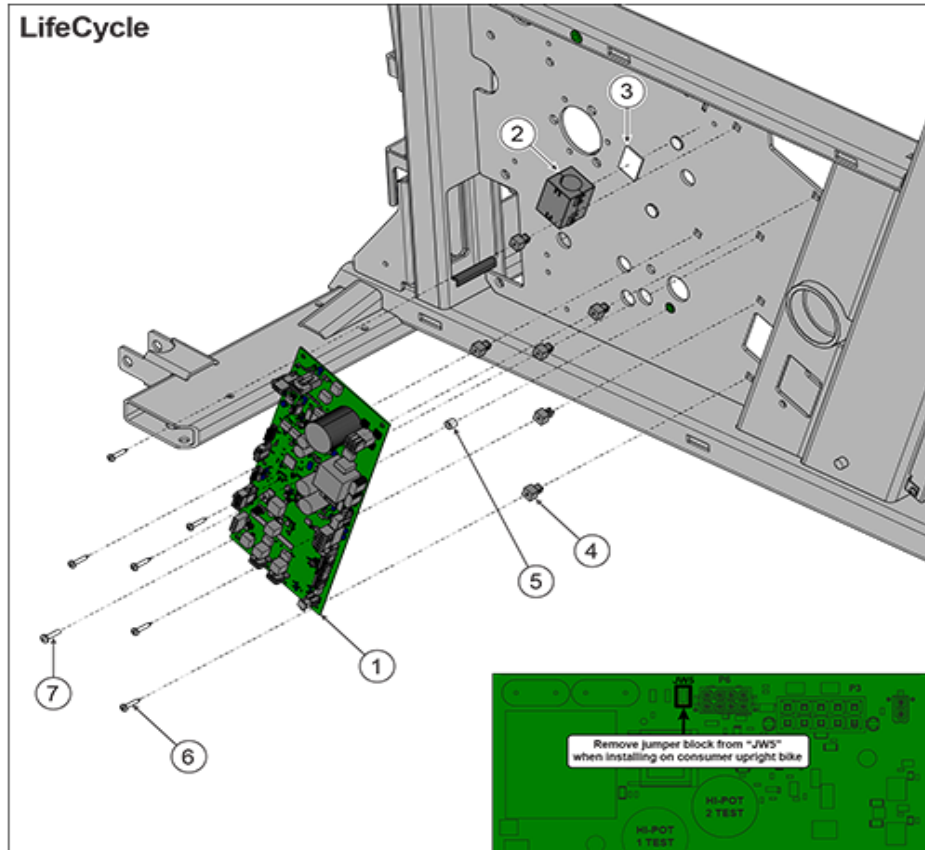
| Ref # | Part Number | Qty | Description |
|-------|-----------------|-----|---|
| 1 | 1023673-0001 | 1 | ASSEMBLY: HANDLEBAR, UPRIGHT, OVERMOLDED,TRIMMED |
| 2 | 1019965-0002 | 1 | ASSEMBLY: SWITCH, UPRIGHT, RESISTANCE, DECREASE |
| 3 | 1019965-0001 | 1 | ASSEMBLY: SWITCH, END CONTROL, RIGHT |
| 4 | AK69-00139-0001 | 2 | Electrode Top |
| 5 | AK69-00140-0001 | 2 | Electrode Bottom |
| 6 | 1019445-0001 | 1 | ASSEMBLY: NEUTRAL GRIP, UPPER |
| 7 | 1019944-0001 | 1 | SHROUD ASSY: HANDLEBAR, NEUTRAL GRIP, LOWER |
| 8 | 1023819-0011 | 1 | MAIN PCB ASSY: EVEREST UB HUB FOR MEMBRANE KEYPAD |
| 9 | 1021396-0001 | 1 | ASSEMBLY: FORE/AFT CLAMP BRACKET |
| 10 | 1019813-0001 | 1 | KEYPAD: UPRIGHT, CLUTCHED |
| 11 | 0017-00101-1971 | 8 | SCREW: M3 X 0.5 6G6G X 6, DIN, PHL, PAN, MS, ST, ZN |
| 12 | 0017-00101-1972 | 2 | SCREW: M5 X 0.8 X 14, PHL, PAN, MS, ST, BZ |
| 13 | 1020799-0001 | 5 | SCREW: M5 X 0.8-6G6G X 12, HKA, FLT, MS, ST |
| 14 | 1023354-0001 | 2 | SCREW: 6-19 X 16, PHL, PAN, PLT, ST |
| 15 | 0017-00101-2054 | 4 | SCREW: 6-19 X 16, PHL, PAN, HLS, ST, ZN |
| 16 | 1021400-0001 | 2 | CABLE: KEYPAD EXTENSION |
| 17 | 1021107-0002 | 1 | CABLE: HR ELECTRODES TO CABLE, 300MM |

Hardware Pack



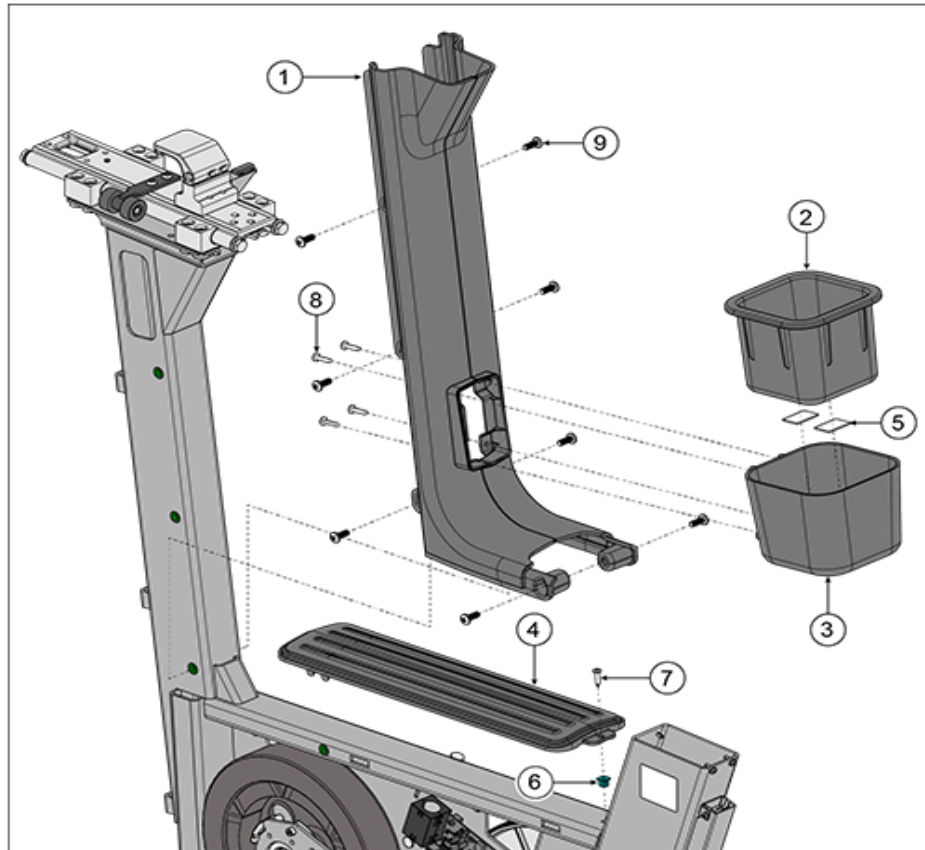
| Ref # | Part Number | Qty | Description |
|-------|-----------------|-----|--|
| 1 | 0017-00042-1147 | 2 | GROMMET: SCREW, 8 OR 10 |
| 2 | 0017-00101-1796 | 2 | SCREW: M4.2 X 0.7 6G6G X 19, DIN, PHL, PAN, AB, ST, ZB |
| 3 | 0017-00101-1972 | 12 | SCREW: M5 X 0.8 X 14, PHL, PAN, MS, ST, BZ |
| 4 | 0017-00101-2014 | 8 | SCREW: M6 X 1-6G6H X 14, DIN, HEX, BUT, L, ST, ZB |
| 5 | 0017-00101-2007 | 4 | SCREW: M8 X 1.25 6G6G X 16, HEX, BUT, CS, ST |
| 6 | 1024006-0001 | 1 | HARDWARE KIT: ASSEMBLY, SYMBIO UPRIGHT BIKE |

Lower Board



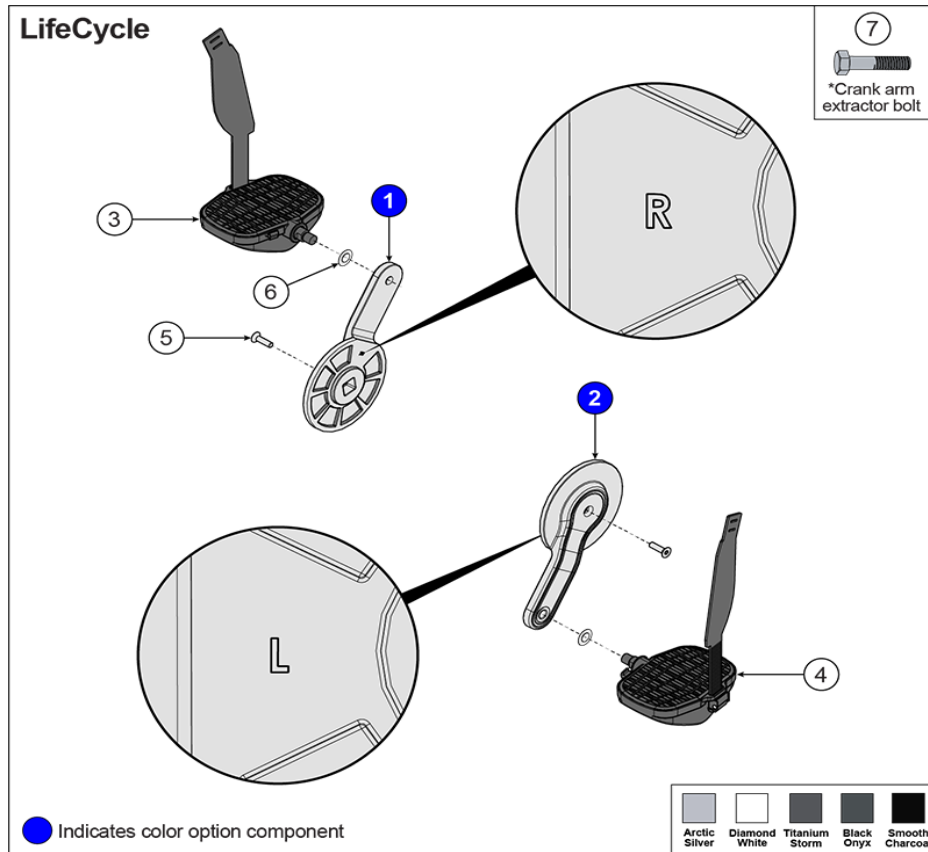
| Ref # | Part Number | Qty | Description |
|-------|-----------------|-----|---|
| 1 | 1017804-0012 | 1 | MAIN PCB ASSY: PNC CLUTCH |
| 2 | 121E-00001-0023 | 1 | FERRITE: SUPPRESSION, CORE-CASE |
| 3 | 0017-00081-0346 | 1 | TAPE: ADHESIVE, DOUBLE-SIDED |
| 4 | 0017-00042-0821 | 6 | GROMMET: SCREW, #6 |
| 5 | 1013169-0001 | 1 | SPACER: M5.3 X 8 X 7, ALUMINUM |
| 6 | 0017-00101-1838 | 6 | SCREW: M3.5 X 1.3 6G6G X 19, PHL, PAN, AB, ST, ZN |
| 7 | 1023067-0001 | 1 | SCREW: M4 X 0.70-6G6G X 16, PHL, PAN, MS, ST |

Monocolumn Shroud Assembly and Cup Holder



| Ref # | Part Number | Qty | Description |
|-------|-----------------|-----|--|
| 1 | 1020435-0001 | 1 | SHROUD ASSY: MONOCOLUMN, UPRIGHT |
| 2 | 1019923-0001 | 1 | CUPHOLDER: INSERT |
| 3 | 1020434-0001 | 1 | SHROUD: CUPHOLDER, HOLDER |
| 4 | 1019959-0001 | 1 | SHROUD: TOP, STEP, UPRIGHT |
| 5 | 0017-00081-0346 | 2 | TAPE: ADHESIVE, DOUBLE-SIDED |
| 6 | 0017-00042-1147 | 1 | GROMMET: SCREW, 8 OR 10 |
| 7 | 0017-00101-1796 | 1 | SCREW: M4.2 X 0.7 6G6G X 19, DIN, PHL, PAN, AB, ST, ZB |
| 8 | HT592515 | 4 | SCREW: #10 X 3/4, PHL, PAN, PLT, ST |
| 9 | 0017-00101-2138 | 8 | SCREW: M6 X 1.0 X 16, DIN, PHL, PAN, MS, ST, ZB |

Pedals and Crank Arms



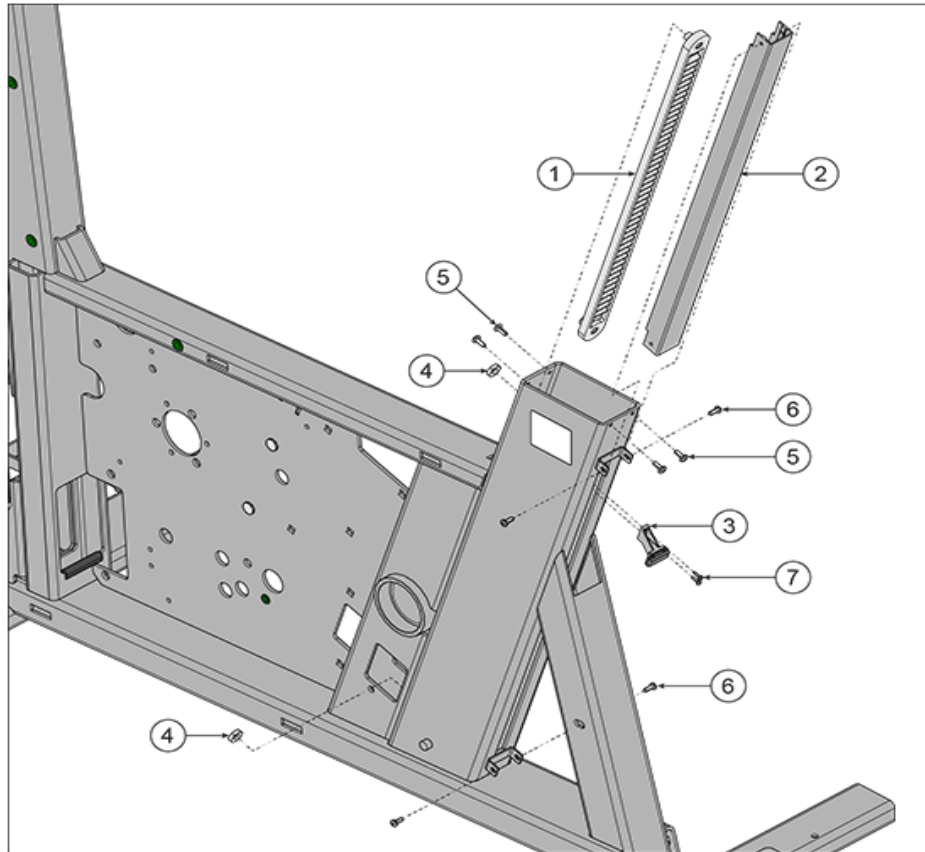
| Ref # | Part Number | Qty | Description |
|-------|-----------------|-----|---|
| 1D | 1019924-2301 | 1 | CRANKARM: RIGHT, METALLIC BLACK |
| 1E | 1019924-2601 | 1 | CRANKARM: RIGHT, SMOOTH CHAR GRAY |
| 1C | 1019924-2201 | 1 | CRANKARM: RIGHT, TITANIUM |
| 1A | 1019924-0101 | 1 | CRANKARM: RIGHT, ARCTIC SILVER |
| 1B | 1019924-2101 | 1 | CRANKARM: RIGHT, PEARLESENT WHITE |
| 2C | 1019925-2201 | 1 | CRANKARM: LEFT, TITANIUM |
| 2D | 1019925-2301 | 1 | CRANKARM: LEFT, METALLIC BLACK |
| 2A | 1019925-0101 | 1 | CRANKARM: LEFT, ARCTIC SILVER |
| 2B | 1019925-2101 | 1 | CRANKARM: LEFT, PEARLESENT WHITE |
| 2E | 1019925-2601 | 1 | CRANKARM: LEFT, SMOOTH CHAR GRAY |
| 3 | AK66-00047-0701 | 1 | PEDAL ASSY: W/STRAP, STANDARD, RIGHT, BLACK |
| 4 | AK66-00048-0701 | 1 | PEDAL ASSY: W/STRAP, STANDARD, LEFT, BLACK |
| 5 | 1021626-0001 | 2 | SCREW: M8 X 1.25 X 30, TRX, FLT, BZ |
| 6 | 1024668-0001 | 2 | WASHER: .578 X 1.062 X .05, FLT, SS, ZB |
| 7 | 1025561-0001 | 1 | SCREW: M12 X 1.50 X 30, HEX, UNS, 10.9 |

Power Cords

| | | | |
|---|--|--|--------------|
| ① | | | 98.4", 250cm |
| ② | | | 98.4", 250cm |
| ③ | | | 72", 183cm |
| ④ | | | 98.4", 250cm |
| ⑤ | | | 72", 183cm |
| ⑥ | | | 98.4", 250cm |

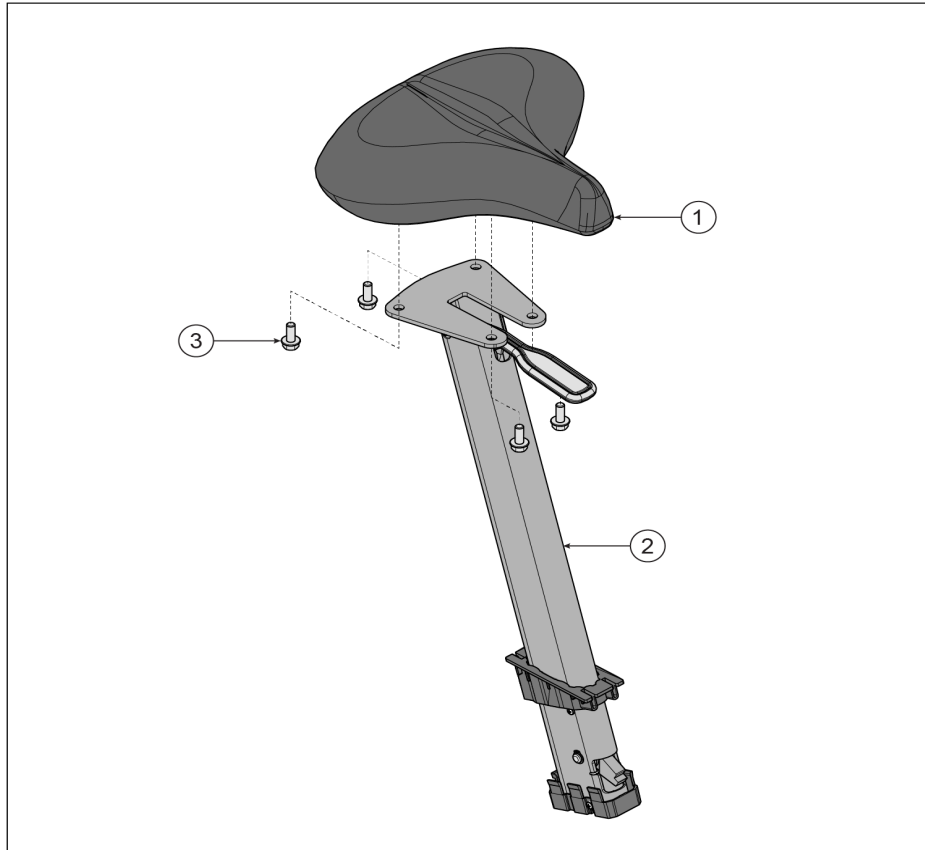
| Ref # | Part Number | Qty | Description |
|-------|-----------------|-----|--|
| 1 | 0017-00003-0704 | 1 | LINE-CORD: DOM. 10A 125V B |
| 2 | 0017-00003-0889 | 1 | LINE-CORD: 10A; U.K B |
| 3 | 0017-00003-1067 | 1 | LINE-CORD: ARGENTINA, IRAM 2073, IEC-C13 |
| 4 | 0017-00003-0918 | 1 | LINE-CORD: AUSTRALIA B |
| 5 | 0017-00003-1053 | 1 | LINE-CORD: BRAZIL, IEC-C13 |
| 6 | 0017-00003-0691 | 1 | LINE-CORD: CON 10A 250V B |

Seat Frame Components



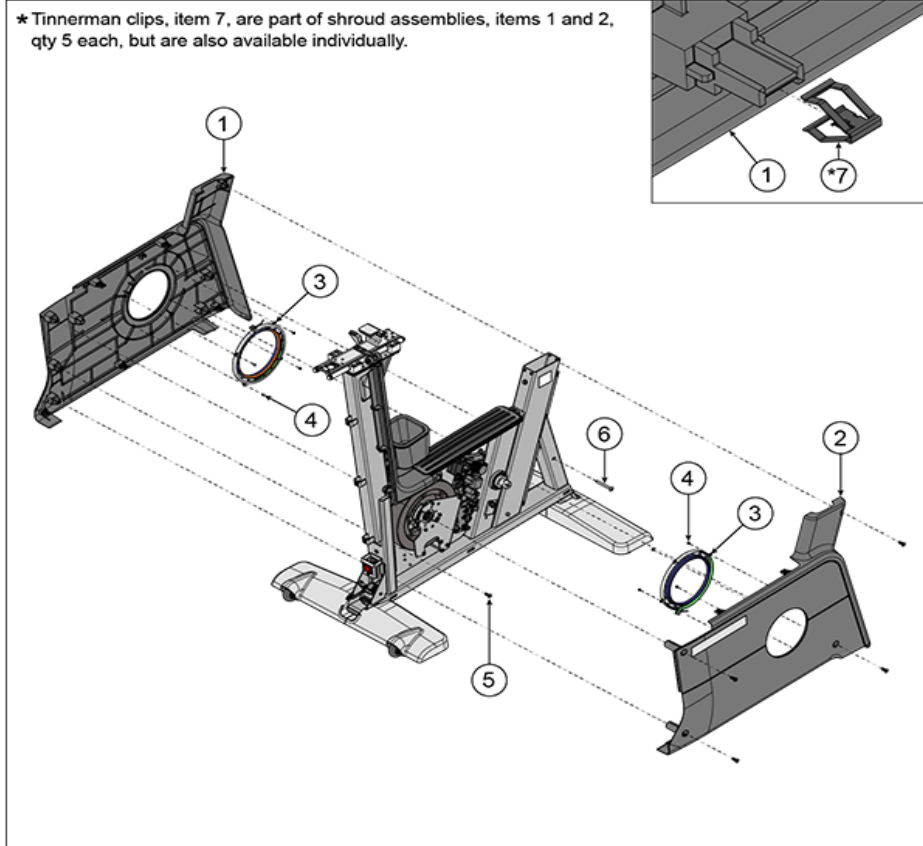
| Ref # | Part Number | Qty | Description |
|-------|-----------------|-----|--|
| 1 | 1022354-0001 | 1 | RACK ASSY: UP-DOWN |
| 2 | 1018783-0001 | 1 | ASSEMBLY: TARGET BOARD, BRACKET |
| 3 | 1019206-0001 | 1 | ASSEMBLY: TARGET SENSOR, SEAT |
| 4 | 0017-00103-0338 | 2 | VMI NUT M8X1.25-6H6H DIN L THIN ST ZB B |
| 5 | 0017-00101-1968 | 4 | SCREW: M4 X 0.7 X 10, PHL, PAN, TT, ST, ZS |
| 6 | 1010103-0001 | 4 | SCREW: M4 X 1.79 X 10, PHL, PAN, PLT, ST, ZC |
| 7 | 1009931-0001 | 2 | SCREW: M2.5 x 0.45 x 8, PHL, PAN, TT, ST |

Seat Post Assembly



| Ref # | Part Number | Qty | Description |
|-------|-----------------|-----|--|
| 1 | 1022928-0001 | 1 | SEAT: UPHOLSTERED, UPRIGHT BIKES |
| 2 | 0017-00101-2150 | 1 | SCREW: M8 X 1.25 6G6H X 20, UHS, HXW, CS, ST, ZB |
| 3 | 1022256-0001 | 4 | ASSEMBLY: SEAT POST |

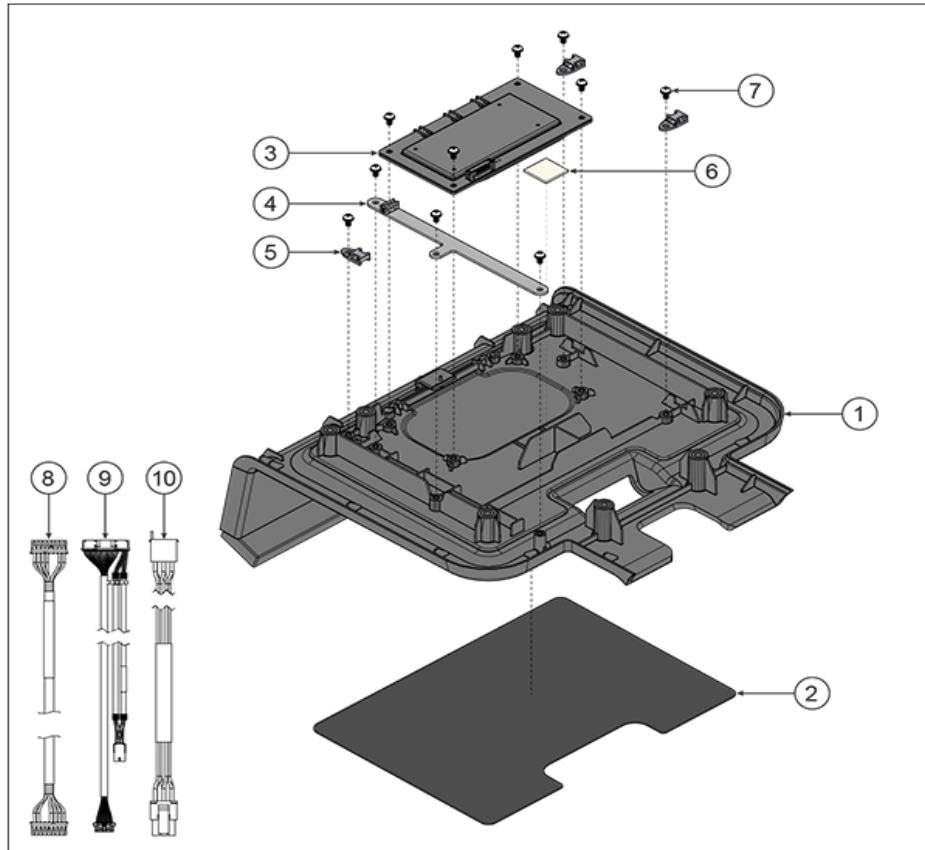
Side Covers and Light Rings



| Ref # | Part Number | Qty | Description |
|-------|-----------------|-----|---|
| 1 | 1024802-0001 | 1 | ASSEMBLY: SHROUD WITH DECAL, UPRIGHT BIKE, RIGHT |
| 2 | 1024801-0001 | 1 | ASSEMBLY: SHROUD WITH DECAL, UPRIGHT BIKE, LEFT |
| 3 | 1022342-0001 | 2 | ASSEMBLY: LIGHT RING, BIKE CRANK |
| 4 | 0017-00101-1971 | 8 | SCREW: M3 X 0.5 6G6G X 6, DIN, PHL, PAN, MS, ST, ZN |
| 5 | 0017-00101-2138 | 1 | SCREW: M6 X 1.0 X 16, DIN, PHL, PAN, MS, ST, ZB |
| 6 | 1022740-0001 | 1 | SCREW: M6 X 1.0 -6G6G X 60, PHL, TRS, MS, ST |
| 7 | 1002263-0001 | 10 | CLIP: M9.55 X 16.5, FASTENER, SPRING |

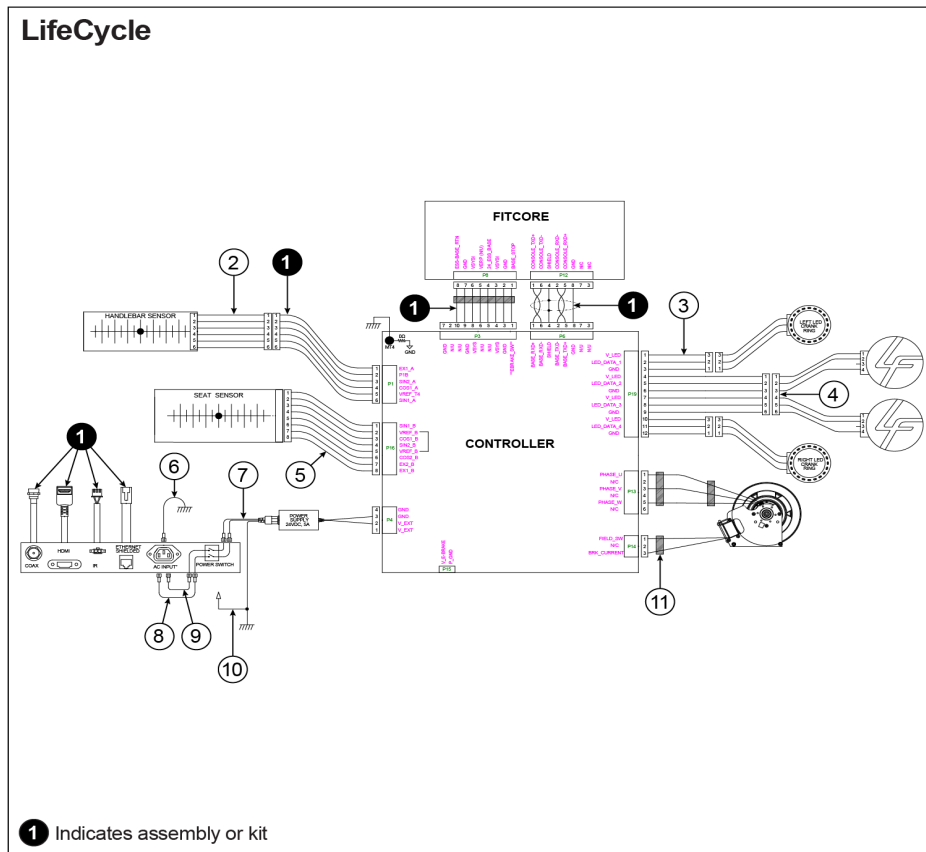
| Ref # | Part Number | Qty | Description |
|-------|-----------------|-----|---|
| 4A | 1019910-0101 | 16 | CASTING: STABILIZER, REAR, LEFT, ARCTIC SILVER |
| 4D | 1019910-2201 | 19 | CASTING: STABILIZER, REAR, LEFT, TITANIUM |
| 4C | 1019910-2101 | 18 | CASTING: STABILIZER, REAR, LEFT, PEARLESENT WHITE |
| 4B | 1019910-2601 | 17 | CASTING: STABILIZER, REAR, LEFT, SMOOTH CHAR GRAY |
| 4E | 1019910-2301 | 20 | CASTING: STABILIZER, REAR, LEFT, METALLIC BLACK |
| 5 | 1020846-0001 | 4 | INSERT: M10 X 1.5 X 19.75, INTERNAL, ST |
| 6 | AK62-00124-0000 | 4 | LEVELER: LEG, ASSEMBLY |
| 7 | 1019546-0001 | 2 | SHAFT: M10, WHEEL |
| 8 | 1011049-0001 | 4 | RING: M10, E-RING, ST |
| 9 | 1010977-0001 | 2 | WHEEL: NON-TREAD |
| 10 | 1020317-0001 | 12 | SCREW: M5 X 0.8 X 30, PHL, PAN, ST, ZB |

Tray Assembly



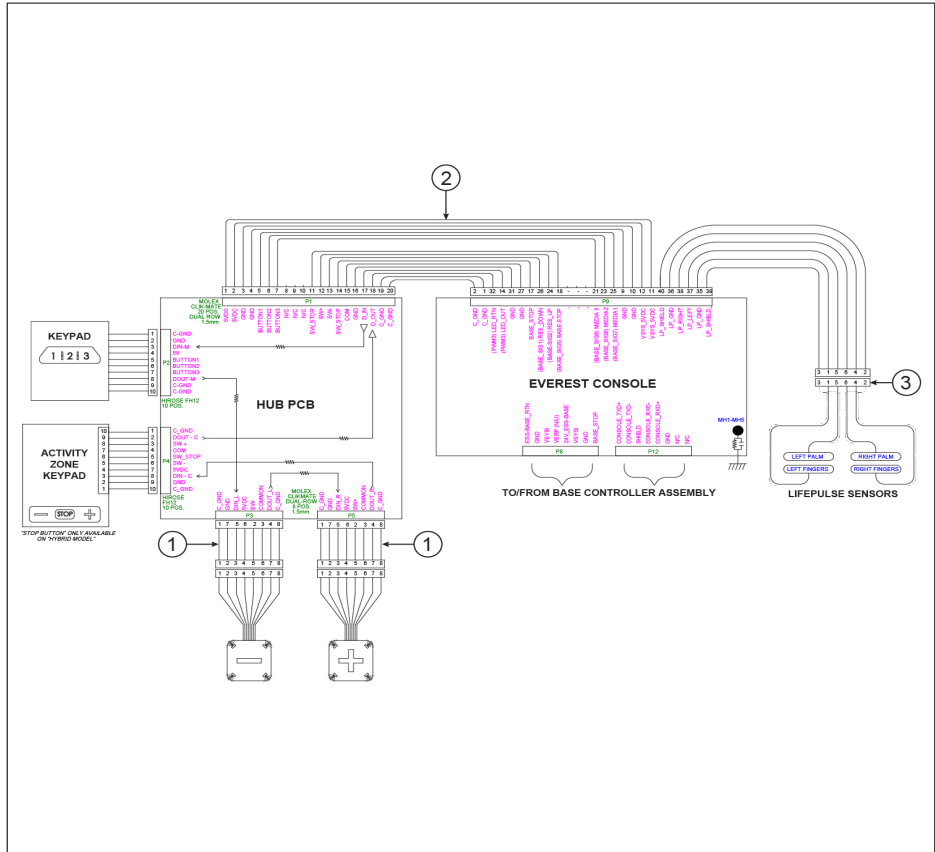
| Ref # | Part Number | Qty | Description |
|-------|-----------------|-----|---|
| 1 | 1019927-0001 | 1 | SHROUD ASSY: TRAY, UPPER |
| 2 | 1021547-0001 | 1 | PAD ASSY: WIRELESS CHARGER, ADHESIVE |
| 3 | 1011883-0001 | 1 | PCB ASSY: SE4, WIRELESS CHARGER |
| 4 | 1021657-0011 | 1 | MAIN PCB ASSY: TYPE1 100MM LINEAR SENSOR MH |
| 5 | 1020367-0001 | 3 | CABLE TIE: MOUNT, 4 WAY |
| 6 | 0017-00042-1155 | 1 | CABLE TIE: ADHESIVE-BACKED |
| 7 | 0017-00101-1971 | 10 | SCREW: M3 X 0.5 6G6G X 6, DIN, PHL, PAN, MS, ST, ZN |
| 8 | 1014289-0002 | 1 | CABLE ASSY: WIRELESS CHARGER, 12V & UART |
| 9 | 1023650-0001 | 1 | CABLE: FITCORE TO UPRIGHT HUB |
| 10 | 1020716-0001 | 1 | CABLE ASSY: HANDLEBAR SENSOR, EVEREST UPRIGHT |

Wiring Diagram - Base



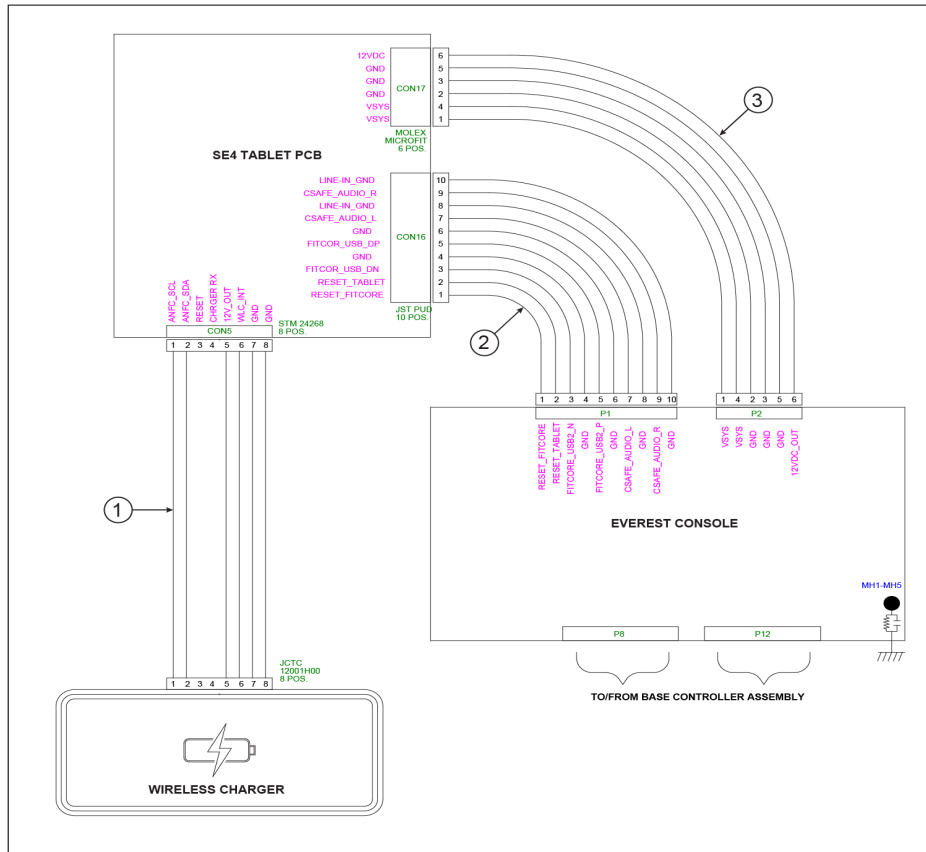
| Ref # | Part Number | Qty | Description |
|-------|-----------------|-----|---|
| 1 | 1024803-0001 | 1 | ASSEMBLY: WIRE HARNESS, TRADITIONAL |
| 2 | 1020716-0001 | 1 | CABLE ASSY: HANDLEBAR SENSOR, EVEREST UPRIGHT |
| 3 | 1023652-0001 | 1 | CABLE: BASE LIGHTING, 1271MM |
| 4 | 1023653-0001 | 1 | CABLE: LF BUG, Y SPLITTER |
| 5 | 1020715-0001 | 1 | CABLE: SEAT SENSOR, 305MM |
| 6 | 1004201-0001 | 1 | CABLE: GROUND |
| 7 | 1023063-0001 | 1 | CABLE: LINE FILTER TO POWER SUPPLY |
| 8 | 1004046-0005 | 1 | CABLE: POWER INPUT, WHITE, 330.2MM |
| 9 | 1004046-0006 | 1 | CABLE: POWER INPUT, BLACK, 330.2MM |
| 10 | 1012728-0002 | 1 | CABLE: GROUND, MOTOR |
| 11 | 121E-00001-0023 | 1 | FERRITE: SUPPRESSION, CORE-CASE |

Wiring Diagram - Console to Handlebar Assembly



| Ref # | Part Number | Qty | Description |
|-------|--------------|-----|--------------------------------------|
| 1 | 1021400-0001 | 1 | CABLE: KEYPAD EXTENSION |
| 2 | 1023650-0001 | 1 | CABLE: FITCORE TO UPRIGHT HUB |
| 3 | 1021107-0002 | 1 | CABLE: HR ELECTRODES TO CABLE, 300MM |

Wiring Diagram - Console to Wireless Charger



| Ref # | Part Number | Qty | Description |
|-------|--------------|-----|--|
| 1 | 1014289-0002 | 1 | CABLE ASSY: WIRELESS CHARGER, 12V & UART |
| 2 | 1014282-0001 | 1 | CABLE: USB RNDIS COMM TABLET & FITCORE |
| 3 | 1014283-0001 | 1 | CABLE: POWER VSYS FITCORE TO TABLET 12-24V |

