

# Symbio Upright Lifecycle Black Onyx Base

EVC-EV24-BLKXE-01

## Parts Manual

6/19/2024 15:23:15 PM



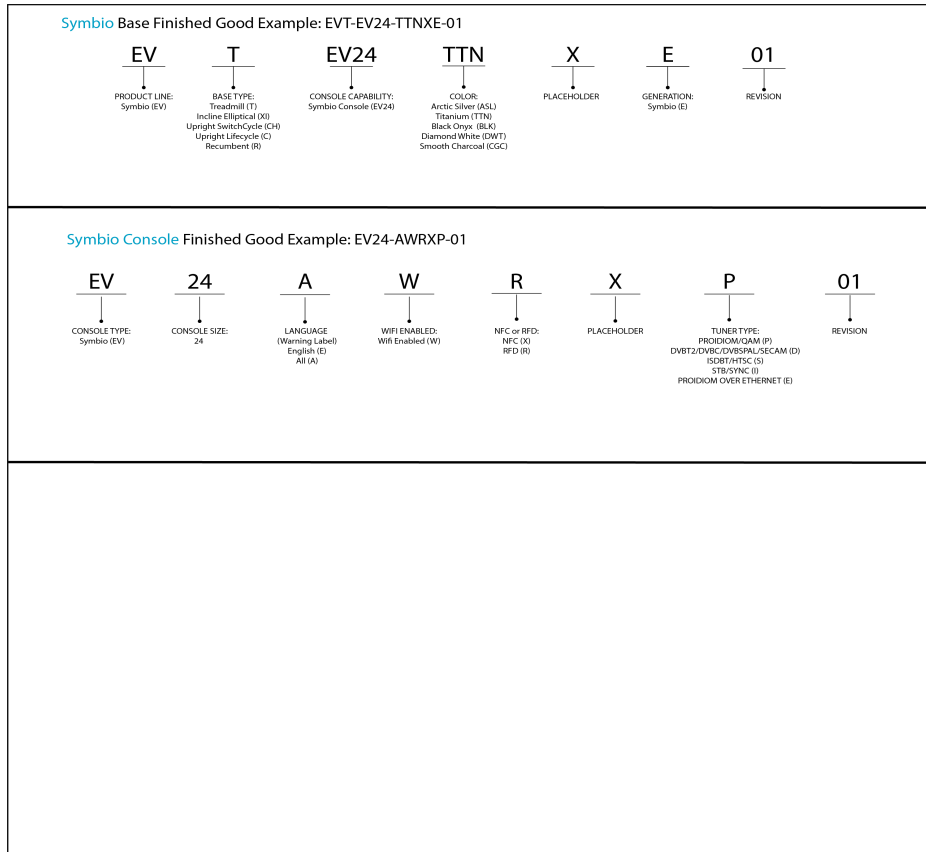
**LifeFitness**  
WHAT WE LIVE FOR

## Table of Contents

---

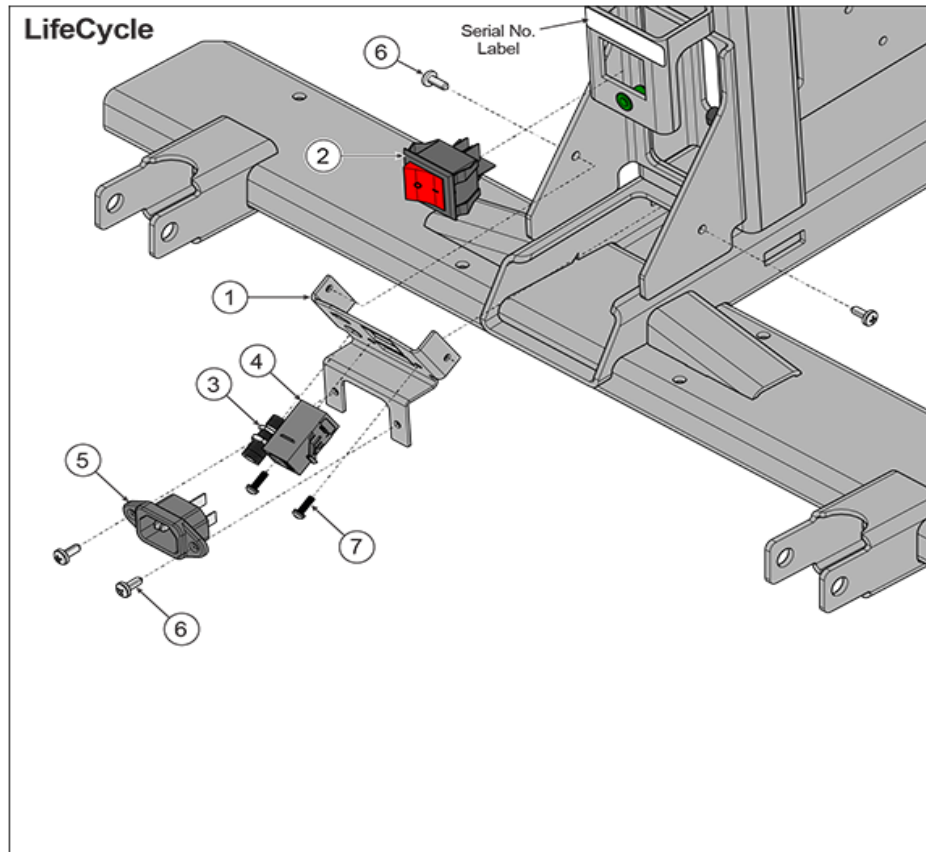
|  |    |
|--|----|
| <a href="#">A Legend Description</a> .....                           | 3  |
| <a href="#">Comm Port Assembly</a> .....                             | 4  |
| <a href="#">Console and Shroud Assembly</a> .....                    | 5  |
| <a href="#">Drive Pulley and Tensioner Assembly</a> .....            | 6  |
| <a href="#">Fore Aft Assembly</a> .....                              | 7  |
| <a href="#">Front Covers</a> .....                                   | 8  |
| <a href="#">Generator and Power Supply</a> .....                     | 10 |
| <a href="#">Handlebar Assembly</a> .....                             | 11 |
| <a href="#">Hardware Pack</a> .....                                  | 12 |
| <a href="#">Lower Board</a> .....                                    | 13 |
| <a href="#">Monocolumn Shroud Assembly and Cup Holder</a> .....      | 14 |
| <a href="#">Pedals and Crank Arms</a> .....                          | 15 |
| <a href="#">Power Cords</a> .....                                    | 16 |
| <a href="#">Seat Frame Components</a> .....                          | 17 |
| <a href="#">Seat Post Assembly</a> .....                             | 18 |
| <a href="#">Side Covers and Light Rings</a> .....                    | 19 |
| <a href="#">Stabilizer Castings and Leveling Feet</a> .....          | 20 |
| <a href="#">Tray Assembly</a> .....                                  | 22 |
| <a href="#">Wiring Diagram - Base</a> .....                          | 23 |
| <a href="#">Wiring Diagram - Console to Handlebar Assembly</a> ..... | 24 |
| <a href="#">Wiring Diagram - Console to Wireless Charger</a> .....   | 25 |

# A Legend Description



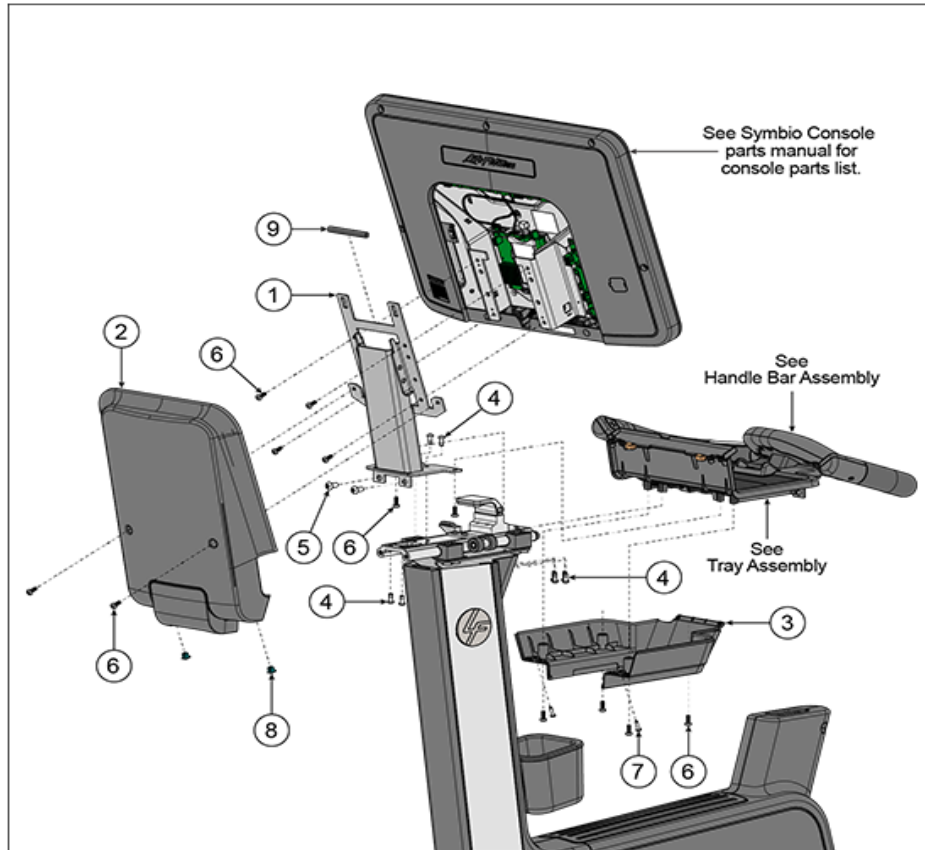
| Ref # | Part Number        | Qty | Description        |
|-------|--------------------|-----|--------------------|
| -     | LEGEND_DESCRIPTION | 1   | LEGEND DESCRIPTION |

## Comm Port Assembly



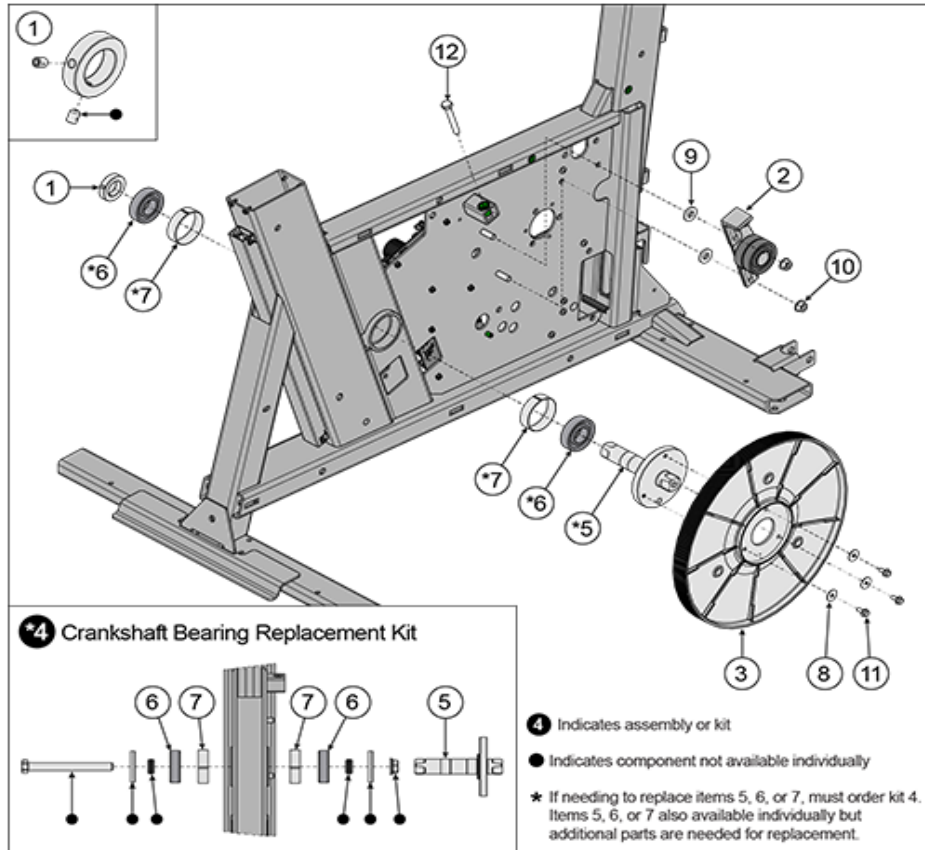
| Ref # | Part Number     | Qty | Description   |
|-------|-----------------|-----|---|
| 1     | 1019204-0001    | 1   | BRACKET: COM PORT                                       |
| 2     | 0017-00032-0198 | 1   | SWITCH: POWER, DPST ROCKER                              |
| 3     | 0017-00021-2846 | 1   | CONNECTOR: COAX, PANEL MOUNT                            |
| 4     | 0017-00021-3195 | 1   | COUPLER: CAT5E, SHIELDED, RJ45                          |
| 5     | 0017-00003-1090 | 1   | RECEPTACLE: IEC, PANEL MOUNT, 15A 250V AC               |
| 6     | 0017-00101-1968 | 4   | SCREW: M4 X 0.7 X 10, PHL, PAN, TT, ST, ZS              |
| 7     | 0017-00101-2016 | 2   | SCREW: M3 X 0.5 6G6G X 10, DIN, PHL, PAN, E, MS, ST, ZN |

## Console and Shroud Assembly



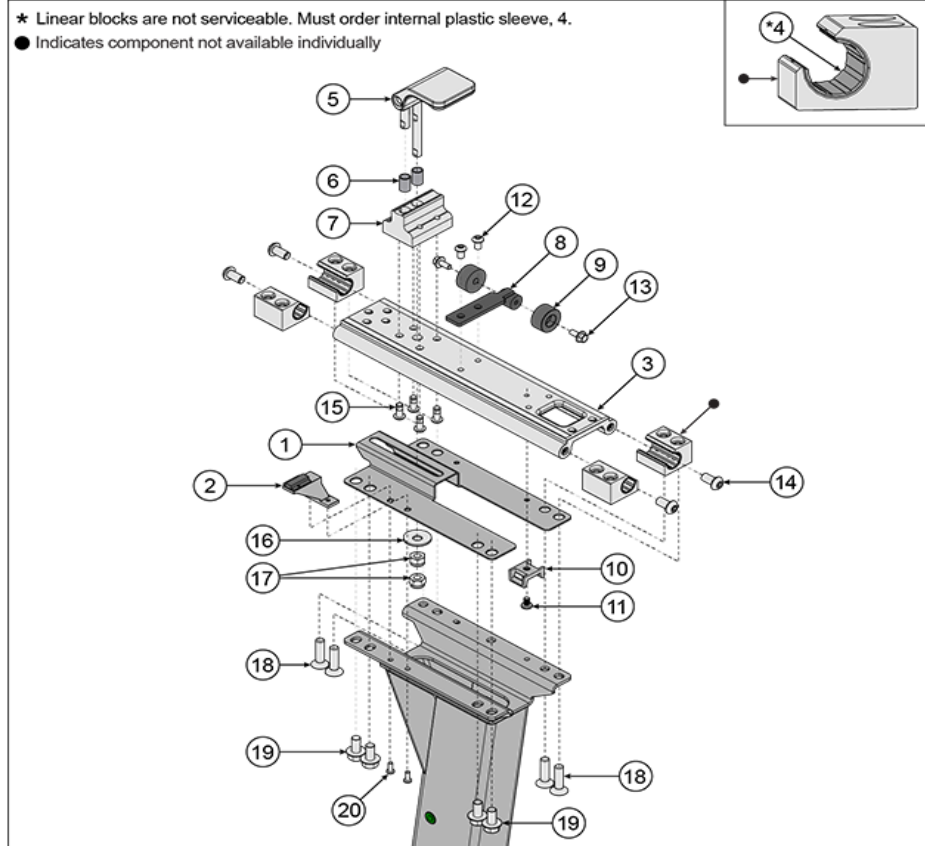
| Ref # | Part Number     | Qty | Description  |
|-------|-----------------|-----|--|
| 1     | 1018144-0701    | 1   | WELDMENT: CONSOLE MOUNT, BLACK                         |
| 2     | 1019933-0001    | 1   | SHROUD ASSY: TRAY, CONSOLE BACK                        |
| 3     | 1019930-0001    | 1   | SHROUD: TRAY, LOWER                                    |
| 4     | 0017-00101-2014 | 8   | SCREW: M6 X 1-6G6H X 14, DIN, HEX, BUT, L, ST, ZB      |
| 5     | 0017-00101-2007 | 2   | SCREW: M8 X 1.25 6G6G X 16, HEX, BUT, CS, ST           |
| 6     | 0017-00101-1972 | 12  | SCREW: M5 X 0.8 X 14, PHL, PAN, MS, ST, BZ             |
| 7     | 0017-00101-1796 | 2   | SCREW: M4.2 X 0.7 6G6G X 19, DIN, PHL, PAN, AB, ST, ZB |
| 8     | 0017-00042-1147 | 2   | GROMMET: SCREW, 8 OR 10                                |
| 9     | 1021563-0001    | 1   | TRIM: EDGE, 1/8", 85MM                                 |

## Drive Pulley and Tensioner Assembly



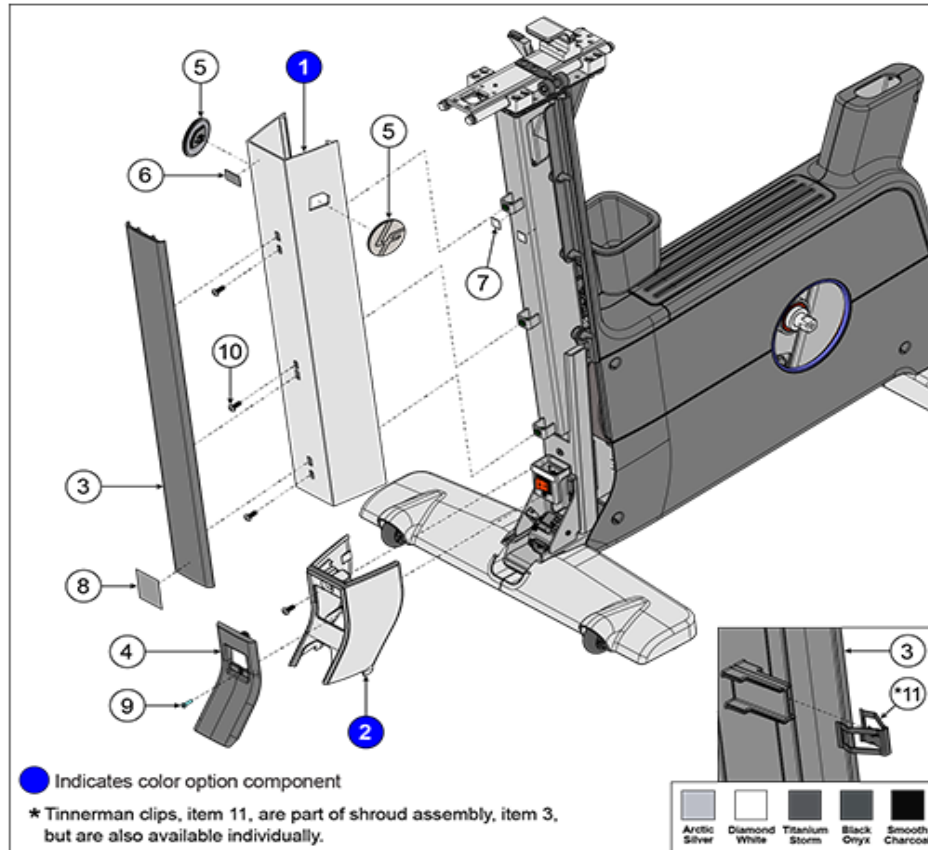
| Ref # | Part Number     | Qty | Description   |
|-------|-----------------|-----|---|
| 1     | 1009112-0001    | 1   | COLLAR: M25, SHAFT                                    |
| 2     | 1001619-0001    | 1   | ASSEMBLY: IDLER                                       |
| 3     | 1021788-0001    | 1   | PULLEY: MOLDED, J10, 309MM                            |
| 4     | 1024796-0001    | 1   | KIT: CRANKSHAFT BEARING REPLACEMENT                   |
| 5     | 1022255-0001    | 1   | SHAFT: PULLEY   |
| 6     | 0017-00006-0285 | 2   | BEARING: M25 X 52 X 15, BALL                          |
| 7     | FC030007        | 2   | RING: M52 X 15, TOLERANCE                             |
| 8     | 0K66-01130-0000 | 3   | WASHER: M5.5 X 18 X 1.45, PULLEY, GENERATOR           |
| 9     | 0017-00104-0263 | 2   | WASHER: 0.406 X 0.875 X 0.125, FL, ST                 |
| 10    | 1013499-0001    | 2   | NUT: M8 X 1.25-6H, HEX, LOCK, ZINC, CLASS 10          |
| 11    | 0017-00101-2151 | 3   | SCREW: M5 X 0.8 6G6G X 12, FLANGE, HEAD, CS, G5, CD   |
| 12    | 0017-00101-2002 | 1   | SCREW: M8 X 1.25-6G6G X 60, DIN, UNS, HEX, CS, G5, CD |

## Fore Aft Assembly



| Ref # | Part Number     | Qty | Description   |
|-------|-----------------|-----|---|
| 1     | 1021396-0001    | 1   | ASSEMBLY: FORE/AFT CLAMP BRACKET                    |
| 2     | 1021557-0001    | 1   | ASSEMBLY: TARGET MOUNT                              |
| 3     | 1020174-0001    | 1   | ASSEMBLY: RAIL, FORE/AFT                            |
| 4     | 1025664-0001    | 4   | BEARING: LINEAR, DRYLIN R, 16MM                     |
| 5     | 1018379-0001    | 1   | ASSEMBLY: CAM                                       |
| 6     | 1018901-0001    | 2   | BEARING: M8 X 10 X 15, SLEEVE                       |
| 7     | 1018380-0001    | 1   | BASE: CAM   |
| 8     | 1019011-0701    | 1   | WELDMENT: RAIL STOP, BLACK                          |
| 9     | 0K62-01121-0000 | 2   | PAD: FOOT   |
| 10    | 1019763-0001    | 1   | MOUNT: CABLE TIE                                    |
| 11    | 0017-00101-2141 | 1   | SCREW: M5 X 0.8 X 8, PHL, PAN, ST, ZB               |
| 12    | 1006331-0001    | 2   | SCREW: M6 X 1.0 X 10, HXS, BUT, CS, ST, BZ          |
| 13    | 0017-00101-2151 | 2   | SCREW: M5 X 0.8 6G6G X 12, FLANGE, HEAD, CS, G5, CD |
| 14    | 0017-00101-2007 | 4   | SCREW: M8 X 1.25 6G6G X 16, HEX, BUT, CS, ST        |
| 15    | 0017-00101-2014 | 4   | SCREW: M6 X 1-6G6H X 14, DIN, HEX, BUT, L, ST, ZB   |
| 16    | 1023567-0001    | 1   | WASHER: 3/8 X 1.0 X 0.116, SPC, ST                  |
| 17    | 0017-00103-0333 | 2   | NUT: M8 X 1.25-6H6H, DIN, LOCKING, ST, ZN           |
| 18    | 1021626-0001    | 4   | SCREW: M8 X 1.25 X 30, TRX, FLT, BZ                 |
| 19    | 0017-00101-2129 | 4   | M8X1.25X16 6G6G DIN UNS HEX FLG ST ZB               |
| 20    | 1010103-0001    | 2   | SCREW: M4 X 1.79 X 10, PHL, PAN, PLT, ST, ZC        |

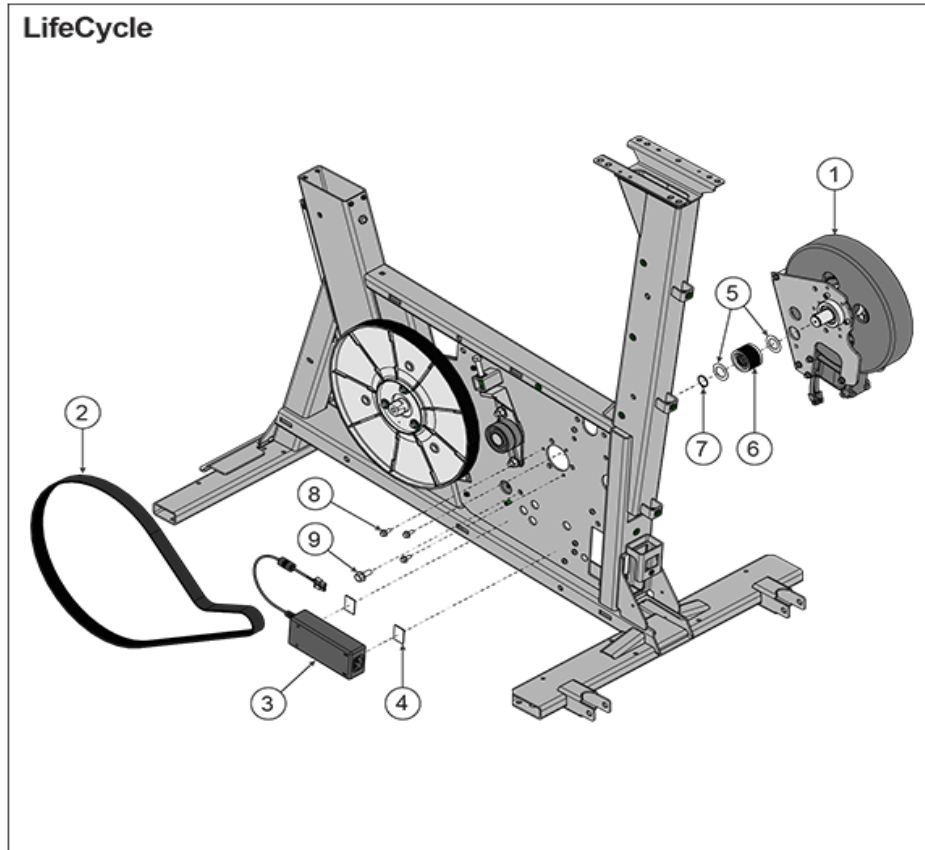
## Front Covers



| Ref # | Part Number     | Qty | Description  |
|-------|-----------------|-----|--|
| 1B    | 1019918-2101    | 1   | EXTRUSION: MONOCOLUMN, UPRIGHT, PEARLESENT WHITE         |
| 1C    | 1019918-2201    | 1   | EXTRUSION: MONOCOLUMN, UPRIGHT, TITANIUM                 |
| 1E    | 1019918-2601    | 1   | EXTRUSION: MONOCOLUMN, UPRIGHT, SMOOTH CHAR GRAY         |
| 1A    | 1019918-0101    | 1   | EXTRUSION: MONOCOLUMN, UPRIGHT, ARCTIC SILVER            |
| 1D    | 1019918-2301    | 1   | EXTRUSION: MONOCOLUMN, UPRIGHT, METALLIC BLACK           |
| 2E    | 1019912-2601    | 1   | CASTING: STABILIZER, FRONT, TRANSITION, SMOOTH CHAR GRAY |
| 2D    | 1019912-2301    | 1   | CASTING: STABILIZER, FRONT, TRANSITION, METALLIC BLACK   |
| 2A    | 1019912-0101    | 1   | CASTING: STABILIZER, FRONT, TRANSITION, ARCTIC SILVER    |
| 2B    | 1019912-2101    | 1   | CASTING: STABILIZER, FRONT, TRANSITION, PEARLESENT WHITE |
| 2C    | 1019912-2201    | 1   | CASTING: STABILIZER, FRONT, TRANSITION, TITANIUM         |
| 3     | 1019921-0002    | 1   | SHROUD ASSY: FRONT, UPPER, UPRIGHT                       |
| 4     | 1019920-0001    | 2   | SHROUD: FRONT, BOTTOM, UPRIGHT                           |
| 5     | 1019548-0001    | 2   | ASSEMBLY: LF LED BUG                                     |
| 6     | 0017-00081-0346 | 1   | TAPE: ADHESIVE, DOUBLE-SIDED                             |

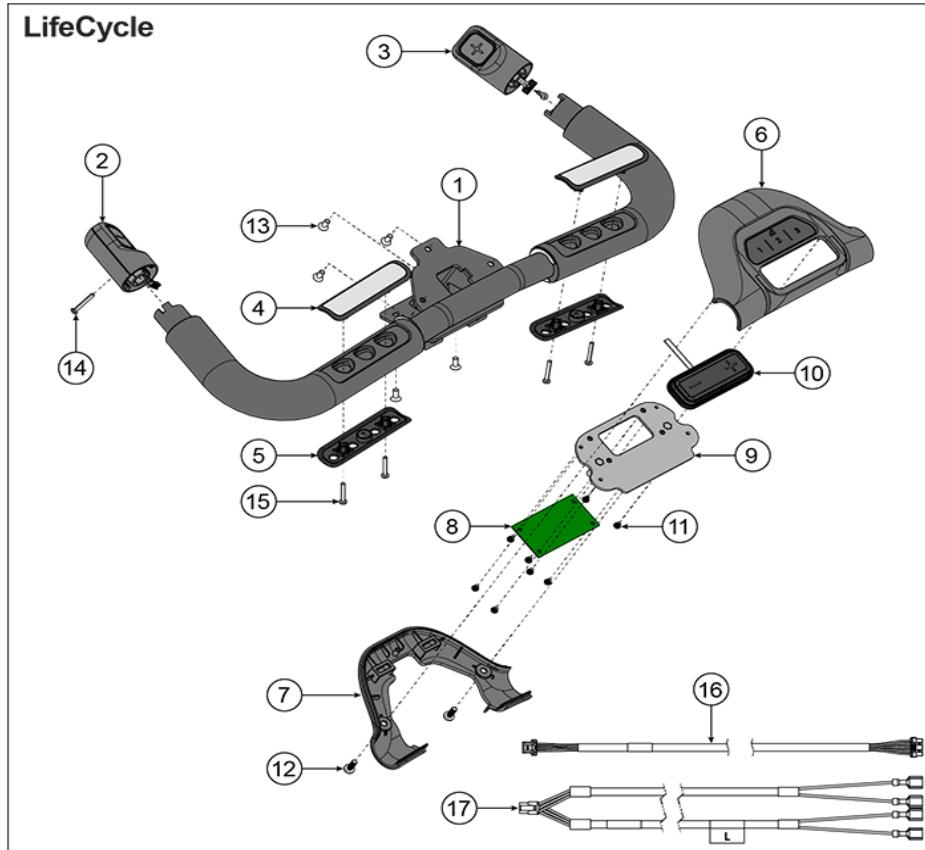
| Ref # | Part Number     | Qty | Description                                     |
|-------|-----------------|-----|---|
| 7     | 0K19-01222-0000 | 2   | TAPE: ADHESIVE, DOUBLE-SIDED                    |
| 8     | 1022871-0001    | 1   | LABEL: EVEREST NON-TREADMILL COMPLIANCE         |
| 9     | 1023067-0001    | 1   | SCREW: M4 X 0.70-6G6G X 16, PHL, PAN, MS, ST    |
| 10    | 0017-00101-2138 | 4   | SCREW: M6 X 1.0 X 16, DIN, PHL, PAN, MS, ST, ZB |
| 11    | 1002263-0001    | 3   | CLIP: M9.55 X 16.5, FASTENER, SPRING            |

## Generator and Power Supply



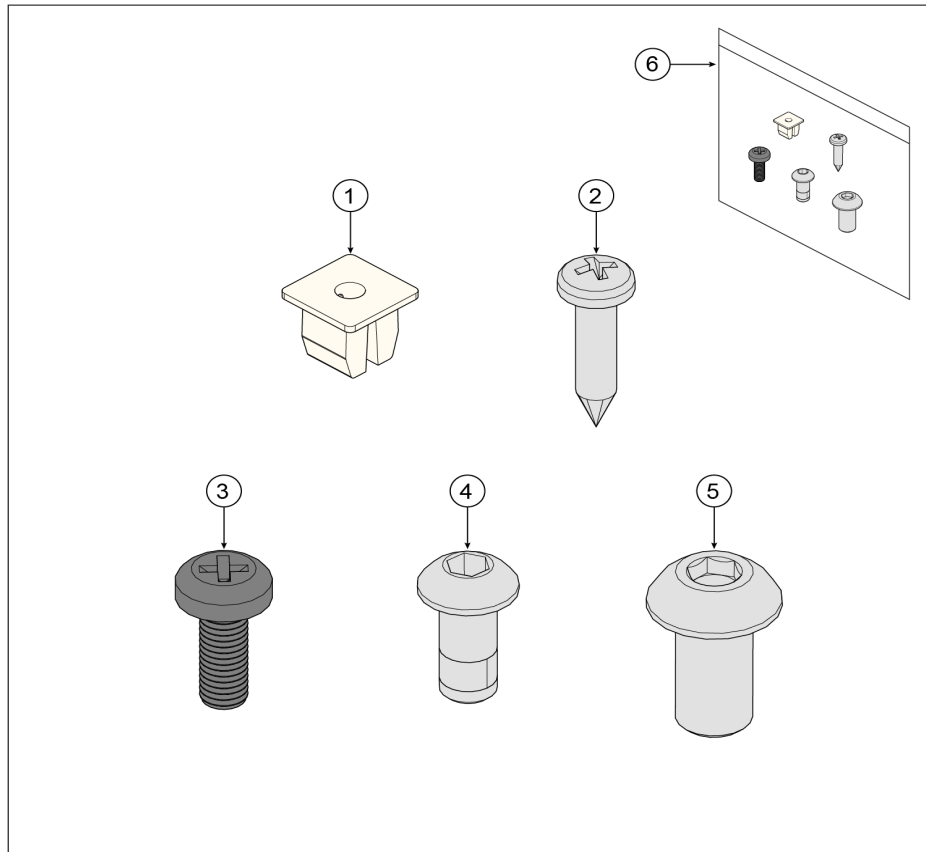
| Ref # | Part Number     | Qty | Description   |
|-------|-----------------|-----|---|
| 1     | 1014174-0001    | 1   | GENERATOR: BRAKE W/20MM EXT.                        |
| 2     | 1019701-0002    | 1   | BELT: POLY V, J10, 470J10                           |
| 3     | 1022188-0001    | 1   | POWER SUPPLY: 24VDC, 5A                             |
| 4     | 0017-00081-0346 | 2   | TAPE: ADHESIVE, DOUBLE-SIDED                        |
| 5     | 0017-00104-0455 | 2   | WASHER: M20 X 31.75 X 0.79, FL, DE                  |
| 6     | 1022503-0001    | 1   | ASSEMBLY: CLUTCH/SHEAVE, 25MM                       |
| 7     | 0017-00100-0242 | 1   | RING: M19.84, RETAINING, ST, 5101-98                |
| 8     | 0017-00101-2151 | 3   | SCREW: M5 X 0.8 6G6G X 12, FLANGE, HEAD, CS, G5, CD |
| 9     | 0017-00101-2150 | 1   | SCREW: M8 X 1.25 6G6H X 20, UHS, HXW, CS, ST, ZB    |

# Handlebar Assembly



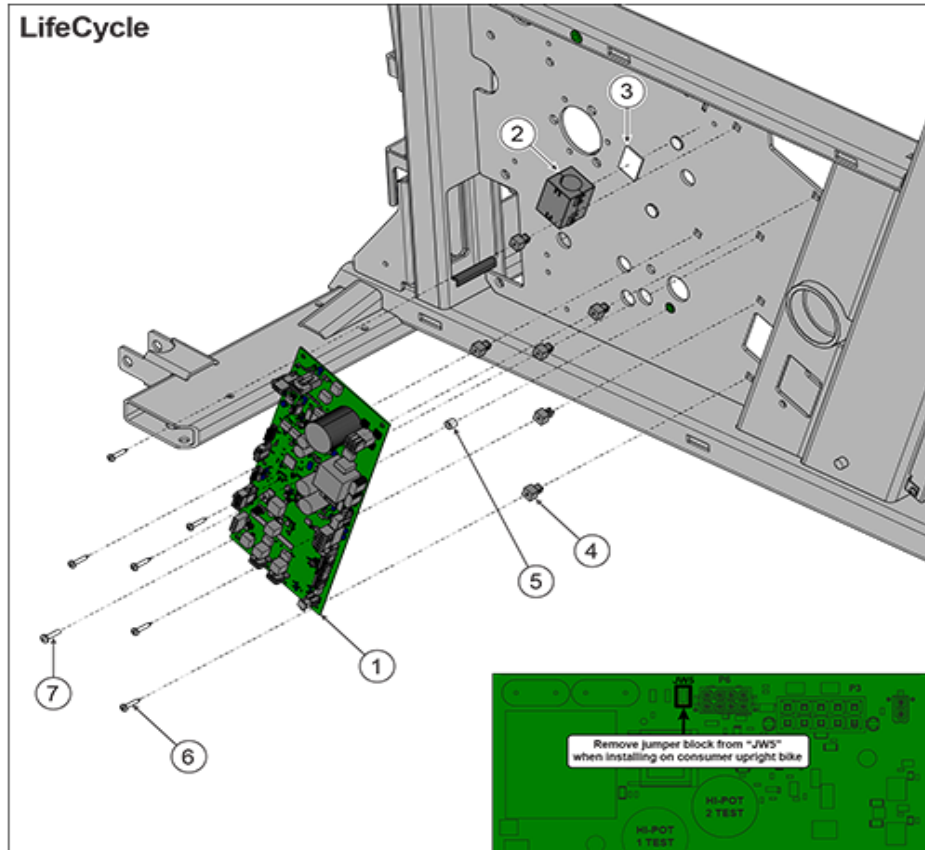
| Ref # | Part Number     | Qty | Description   |
|-------|-----------------|-----|---|
| 1     | 1023673-0001    | 1   | ASSEMBLY: HANDLEBAR, UPRIGHT, OVERMOLDED, TRIMMED   |
| 2     | 1019965-0002    | 1   | ASSEMBLY: SWITCH, UPRIGHT, RESISTANCE, DECREASE     |
| 3     | 1019965-0001    | 1   | ASSEMBLY: SWITCH, END CONTROL, RIGHT                |
| 4     | AK69-00139-0001 | 2   | Electrode Top                                       |
| 5     | AK69-00140-0001 | 2   | Electrode Bottom                                    |
| 6     | 1019445-0001    | 1   | ASSEMBLY: NEUTRAL GRIP, UPPER                       |
| 7     | 1019944-0001    | 1   | SHROUD ASSY: HANDLEBAR, NEUTRAL GRIP, LOWER         |
| 8     | 1023819-0011    | 1   | MAIN PCB ASSY: EVEREST UB HUB FOR MEMBRANE KEYPAD   |
| 9     | 1021396-0001    | 1   | ASSEMBLY: FORE/AFT CLAMP BRACKET                    |
| 10    | 1019813-0001    | 1   | KEYPAD: UPRIGHT, CLUTCHED                           |
| 11    | 0017-00101-1971 | 8   | SCREW: M3 X 0.5 6G6G X 6, DIN, PHL, PAN, MS, ST, ZN |
| 12    | 0017-00101-1972 | 2   | SCREW: M5 X 0.8 X 14, PHL, PAN, MS, ST, BZ          |
| 13    | 1020799-0001    | 5   | SCREW: M5 X 0.8-6G6G X 12, HKA, FLT, MS, ST         |
| 14    | 1023354-0001    | 2   | SCREW: 6-19 X 16, PHL, PAN, PLT, ST                 |
| 15    | 0017-00101-2054 | 4   | SCREW: 6-19 X 16, PHL, PAN, HLS, ST, ZN             |
| 16    | 1021400-0001    | 2   | CABLE: KEYPAD EXTENSION                             |
| 17    | 1021107-0002    | 1   | CABLE: HR ELECTRODES TO CABLE, 300MM                |

## Hardware Pack



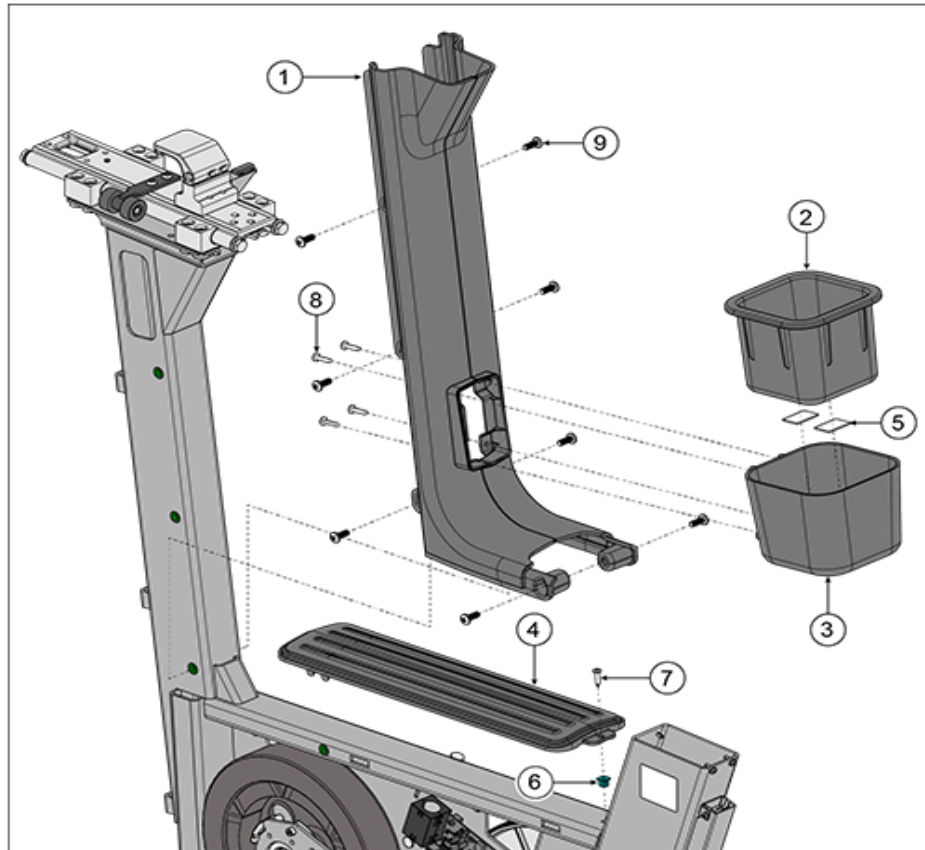
| Ref # | Part Number     | Qty | Description  |
|-------|-----------------|-----|--|
| 1     | 0017-00042-1147 | 2   | GROMMET: SCREW, 8 OR 10                                |
| 2     | 0017-00101-1796 | 2   | SCREW: M4.2 X 0.7 6G6G X 19, DIN, PHL, PAN, AB, ST, ZB |
| 3     | 0017-00101-1972 | 12  | SCREW: M5 X 0.8 X 14, PHL, PAN, MS, ST, BZ             |
| 4     | 0017-00101-2014 | 8   | SCREW: M6 X 1-6G6H X 14, DIN, HEX, BUT, L, ST, ZB      |
| 5     | 0017-00101-2007 | 4   | SCREW: M8 X 1.25 6G6G X 16, HEX, BUT, CS, ST           |
| 6     | 1024006-0001    | 1   | HARDWARE KIT: ASSEMBLY, SYMBIO UPRIGHT BIKE            |

## Lower Board



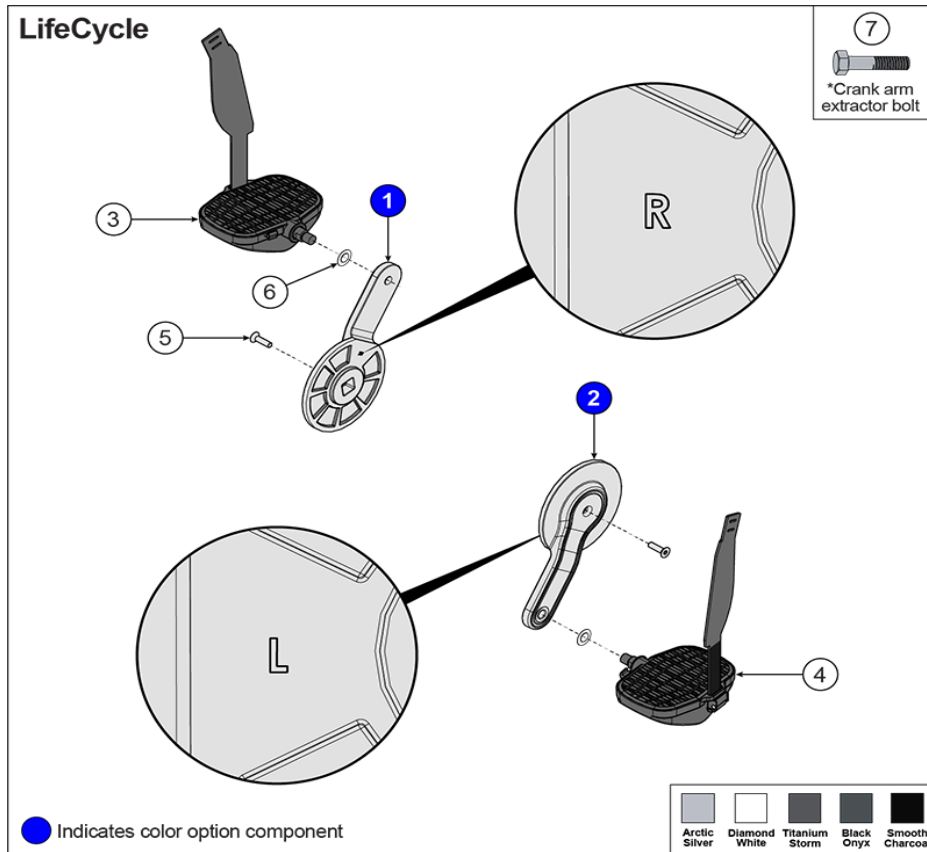
| Ref # | Part Number     | Qty | Description                                       |
|-------|-----------------|-----|---|
| 1     | 1017804-0012    | 1   | MAIN PCB ASSY: PNC CLUTCH                         |
| 2     | 121E-00001-0023 | 1   | FERRITE: SUPPRESSION, CORE-CASE                   |
| 3     | 0017-00081-0346 | 1   | TAPE: ADHESIVE, DOUBLE-SIDED                      |
| 4     | 0017-00042-0821 | 6   | GROMMET: SCREW, #6                                |
| 5     | 1013169-0001    | 1   | SPACER: M5.3 X 8 X 7, ALUMINUM                    |
| 6     | 0017-00101-1838 | 6   | SCREW: M3.5 X 1.3 6G6G X 19, PHL, PAN, AB, ST, ZN |
| 7     | 1023067-0001    | 1   | SCREW: M4 X 0.70-6G6G X 16, PHL, PAN, MS, ST      |

## Monocolumn Shroud Assembly and Cup Holder



| Ref # | Part Number     | Qty | Description  |
|-------|-----------------|-----|--|
| 1     | 1020435-0001    | 1   | SHROUD ASSY: MONOCOLUMN, UPRIGHT                       |
| 2     | 1019923-0001    | 1   | CUPHOLDER: INSERT                                      |
| 3     | 1020434-0001    | 1   | SHROUD: CUPHOLDER, HOLDER                              |
| 4     | 1019959-0001    | 1   | SHROUD: TOP, STEP, UPRIGHT                             |
| 5     | 0017-00081-0346 | 2   | TAPE: ADHESIVE, DOUBLE-SIDED                           |
| 6     | 0017-00042-1147 | 1   | GROMMET: SCREW, 8 OR 10                                |
| 7     | 0017-00101-1796 | 1   | SCREW: M4.2 X 0.7 6G6G X 19, DIN, PHL, PAN, AB, ST, ZB |
| 8     | HT592515        | 4   | SCREW: #10 X 3/4, PHL, PAN, PLT, ST                    |
| 9     | 0017-00101-2138 | 8   | SCREW: M6 X 1.0 X 16, DIN, PHL, PAN, MS, ST, ZB        |

## Pedals and Crank Arms



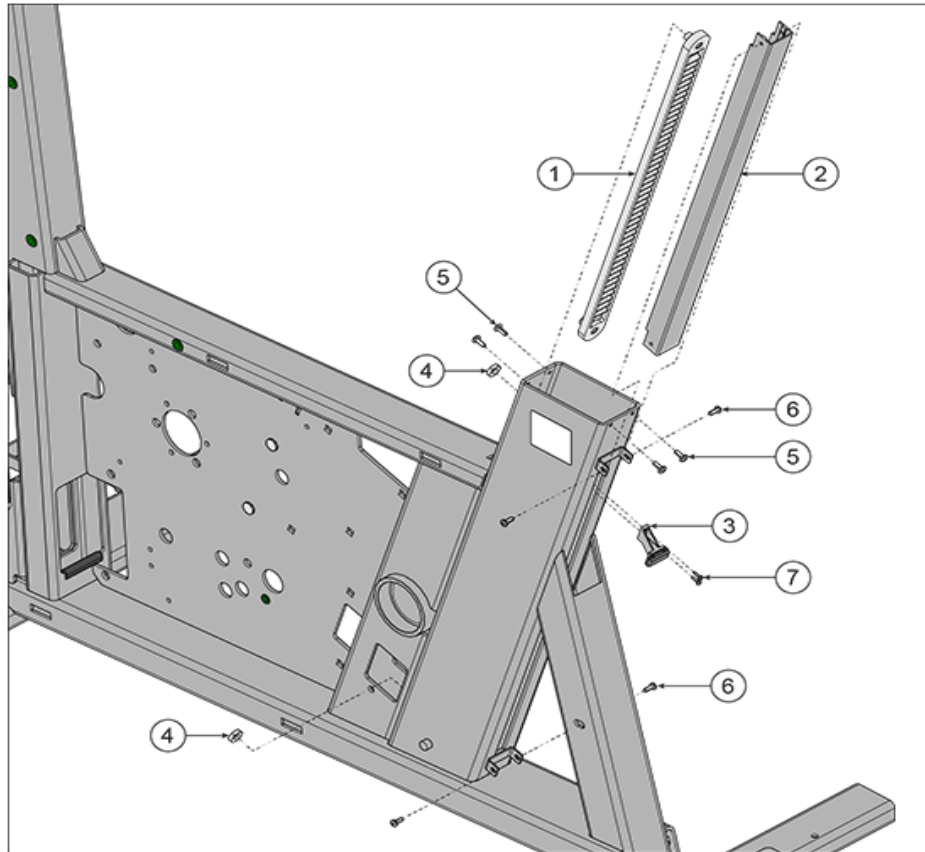
| Ref # | Part Number     | Qty | Description                                 |
|-------|-----------------|-----|---|
| 1D    | 1019924-2301    | 1   | CRANKARM: RIGHT, METALLIC BLACK             |
| 1E    | 1019924-2601    | 1   | CRANKARM: RIGHT, SMOOTH CHAR GRAY           |
| 1C    | 1019924-2201    | 1   | CRANKARM: RIGHT, TITANIUM                   |
| 1A    | 1019924-0101    | 1   | CRANKARM: RIGHT, ARCTIC SILVER              |
| 1B    | 1019924-2101    | 1   | CRANKARM: RIGHT, PEARLESENT WHITE           |
| 2C    | 1019925-2201    | 1   | CRANKARM: LEFT, TITANIUM                    |
| 2D    | 1019925-2301    | 1   | CRANKARM: LEFT, METALLIC BLACK              |
| 2A    | 1019925-0101    | 1   | CRANKARM: LEFT, ARCTIC SILVER               |
| 2B    | 1019925-2101    | 1   | CRANKARM: LEFT, PEARLESENT WHITE            |
| 2E    | 1019925-2601    | 1   | CRANKARM: LEFT, SMOOTH CHAR GRAY            |
| 3     | AK66-00047-0701 | 1   | PEDAL ASSY: W/STRAP, STANDARD, RIGHT, BLACK |
| 4     | AK66-00048-0701 | 1   | PEDAL ASSY: W/STRAP, STANDARD, LEFT, BLACK  |
| 5     | 1021626-0001    | 2   | SCREW: M8 X 1.25 X 30, TRX, FLT, BZ         |
| 6     | 1024668-0001    | 2   | WASHER: .578 X 1.062 X .05, FLT, SS, ZB     |
| 7     | 1025561-0001    | 1   | SCREW: M12 X 1.50 X 30, HEX, UNS, 10.9      |

## Power Cords

|   |  |  |              |
|---|--|--|--------------|
| ① |  |  | 98.4", 250cm |
| ② |  |  | 98.4", 250cm |
| ③ |  |  | 72", 183cm   |
| ④ |  |  | 98.4", 250cm |
| ⑤ |  |  | 72", 183cm   |
| ⑥ |  |  | 98.4", 250cm |

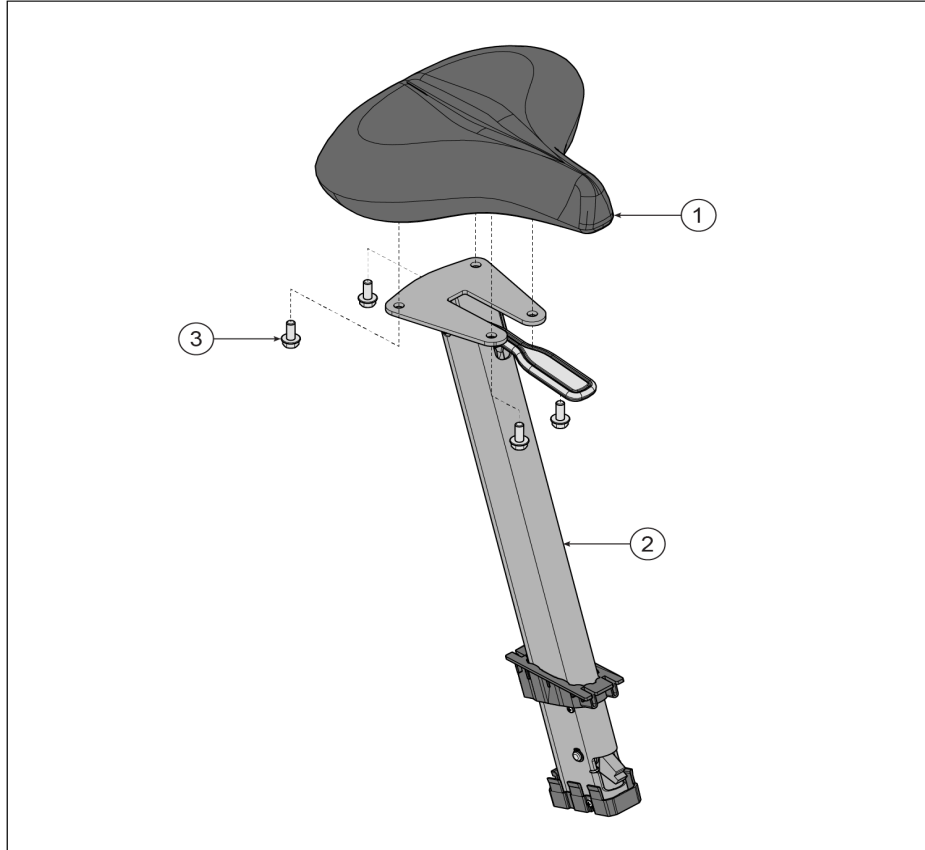
| Ref # | Part Number     | Qty | Description                              |
|-------|-----------------|-----|--|
| 1     | 0017-00003-0704 | 1   | LINE-CORD: DOM. 10A 125V B               |
| 2     | 0017-00003-0889 | 1   | LINE-CORD: 10A; U.K B                    |
| 3     | 0017-00003-1067 | 1   | LINE-CORD: ARGENTINA, IRAM 2073, IEC-C13 |
| 4     | 0017-00003-0918 | 1   | LINE-CORD: AUSTRALIA B                   |
| 5     | 0017-00003-1053 | 1   | LINE-CORD: BRAZIL, IEC-C13               |
| 6     | 0017-00003-0691 | 1   | LINE-CORD: CON 10A 250V B                |

## Seat Frame Components



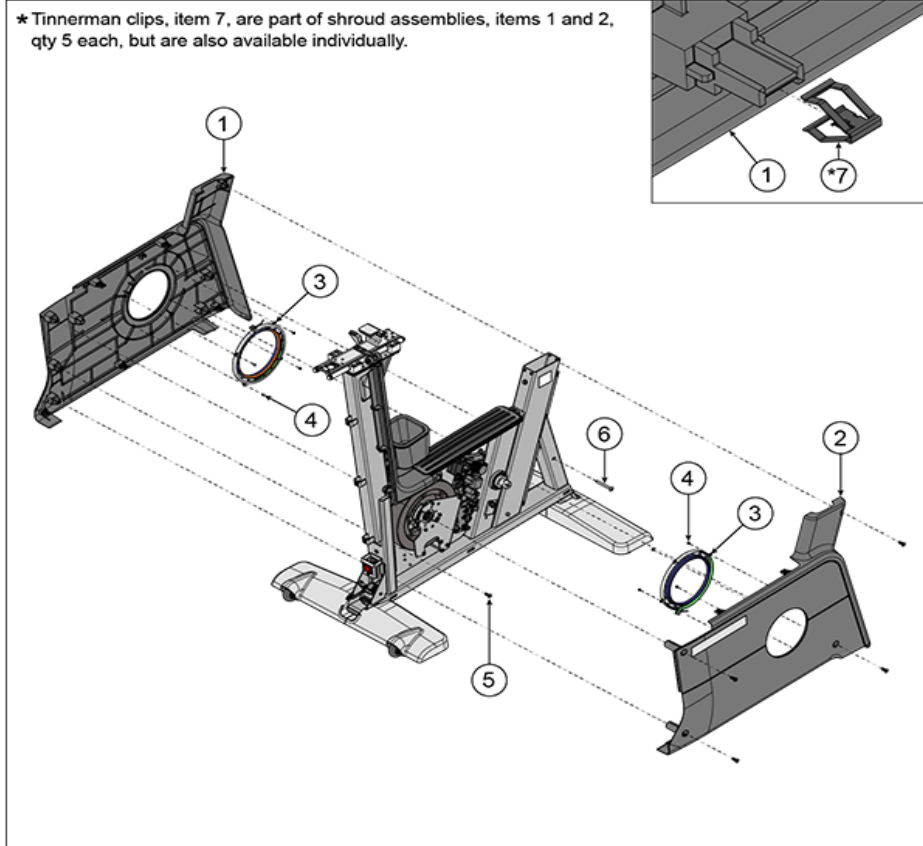
| Ref # | Part Number     | Qty | Description                                  |
|-------|-----------------|-----|--|
| 1     | 1022354-0001    | 1   | RACK ASSY: UP-DOWN                           |
| 2     | 1018783-0001    | 1   | ASSEMBLY: TARGET BOARD, BRACKET              |
| 3     | 1019206-0001    | 1   | ASSEMBLY: TARGET SENSOR, SEAT                |
| 4     | 0017-00103-0338 | 2   | VMI NUT M8X1.25-6H6H DIN L THIN ST ZB B      |
| 5     | 0017-00101-1968 | 4   | SCREW: M4 X 0.7 X 10, PHL, PAN, TT, ST, ZS   |
| 6     | 1010103-0001    | 4   | SCREW: M4 X 1.79 X 10, PHL, PAN, PLT, ST, ZC |
| 7     | 1009931-0001    | 2   | SCREW: M2.5 x 0.45 x 8, PHL, PAN, TT, ST     |

## Seat Post Assembly



| Ref # | Part Number     | Qty | Description                                      |
|-------|-----------------|-----|--|
| 1     | 1022928-0001    | 1   | SEAT: UPHOLSTERED, UPRIGHT BIKES                 |
| 2     | 0017-00101-2150 | 1   | SCREW: M8 X 1.25 6G6H X 20, UHS, HXW, CS, ST, ZB |
| 3     | 1022256-0001    | 4   | ASSEMBLY: SEAT POST                              |

## Side Covers and Light Rings

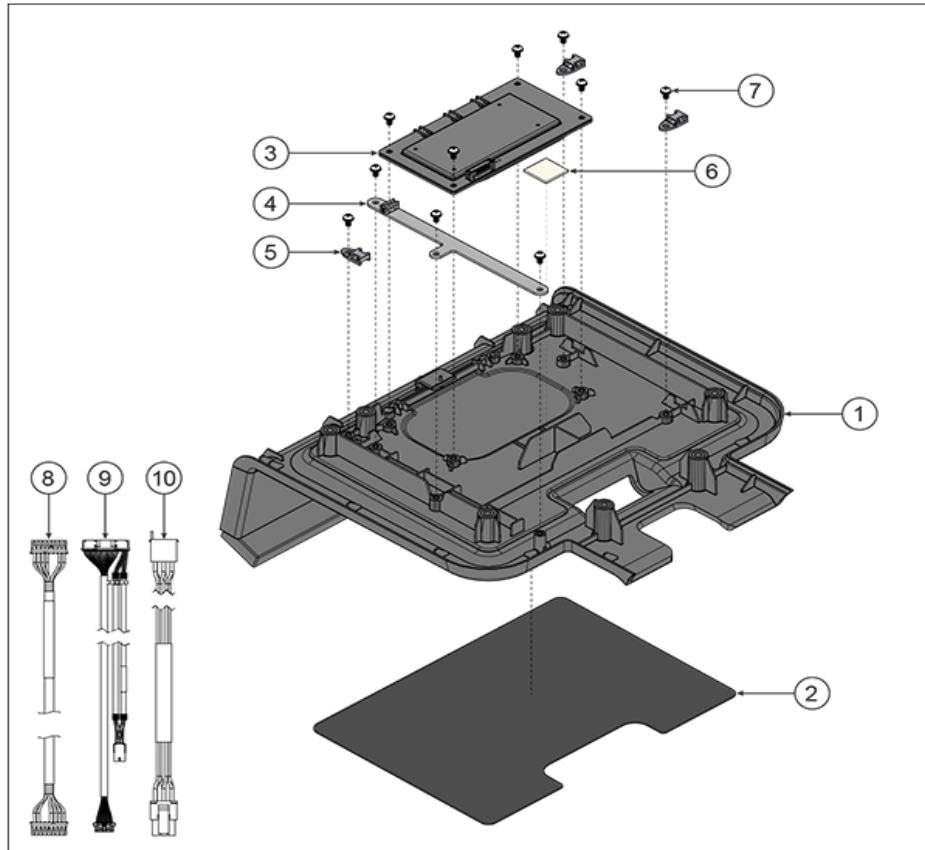


| Ref # | Part Number     | Qty | Description   |
|-------|-----------------|-----|---|
| 1     | 1024802-0001    | 1   | ASSEMBLY: SHROUD WITH DECAL, UPRIGHT BIKE, RIGHT    |
| 2     | 1024801-0001    | 1   | ASSEMBLY: SHROUD WITH DECAL, UPRIGHT BIKE, LEFT     |
| 3     | 1022342-0001    | 2   | ASSEMBLY: LIGHT RING, BIKE CRANK                    |
| 4     | 0017-00101-1971 | 8   | SCREW: M3 X 0.5 6G6G X 6, DIN, PHL, PAN, MS, ST, ZN |
| 5     | 0017-00101-2138 | 1   | SCREW: M6 X 1.0 X 16, DIN, PHL, PAN, MS, ST, ZB     |
| 6     | 1022740-0001    | 1   | SCREW: M6 X 1.0 -6G6G X 60, PHL, TRS, MS, ST        |
| 7     | 1002263-0001    | 10  | CLIP: M9.55 X 16.5, FASTENER, SPRING                |



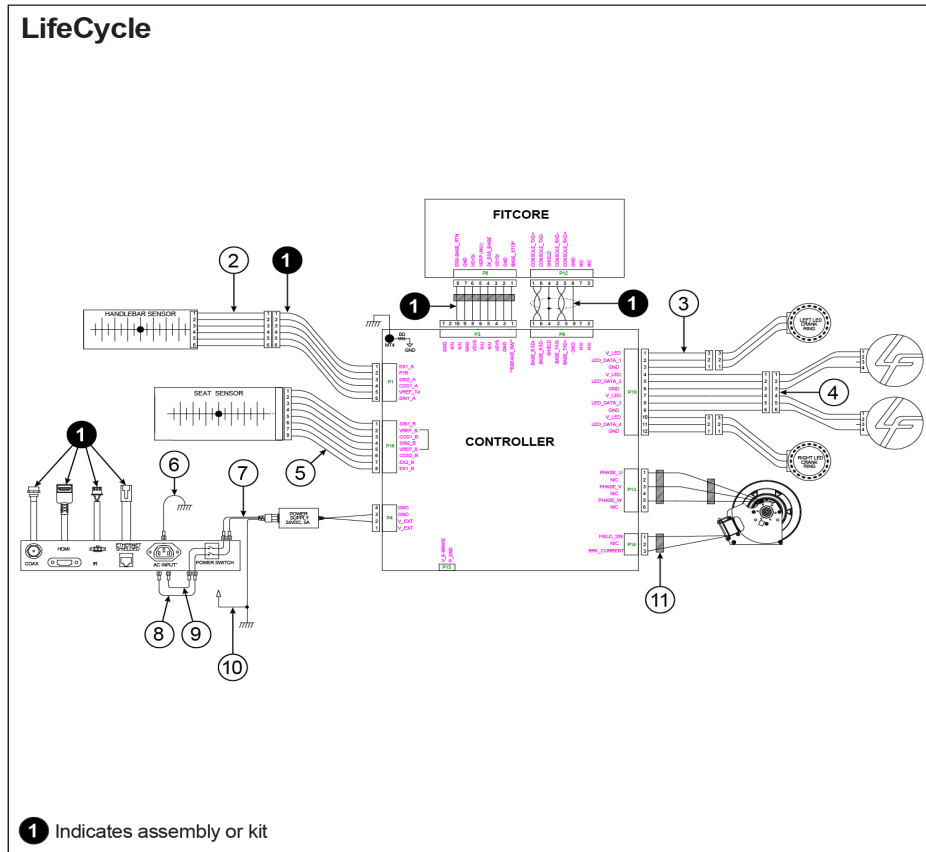
| Ref # | Part Number     | Qty | Description                                       |
|-------|-----------------|-----|---|
| 4A    | 1019910-0101    | 16  | CASTING: STABILIZER, REAR, LEFT, ARCTIC SILVER    |
| 4D    | 1019910-2201    | 19  | CASTING: STABILIZER, REAR, LEFT, TITANIUM         |
| 4C    | 1019910-2101    | 18  | CASTING: STABILIZER, REAR, LEFT, PEARLESENT WHITE |
| 4B    | 1019910-2601    | 17  | CASTING: STABILIZER, REAR, LEFT, SMOOTH CHAR GRAY |
| 4E    | 1019910-2301    | 20  | CASTING: STABILIZER, REAR, LEFT, METALLIC BLACK   |
| 5     | 1020846-0001    | 4   | INSERT: M10 X 1.5 X 19.75, INTERNAL, ST           |
| 6     | AK62-00124-0000 | 4   | LEVELER: LEG, ASSEMBLY                            |
| 7     | 1019546-0001    | 2   | SHAFT: M10, WHEEL                                 |
| 8     | 1011049-0001    | 4   | RING: M10, E-RING, ST                             |
| 9     | 1010977-0001    | 2   | WHEEL: NON-TREAD                                  |
| 10    | 1020317-0001    | 12  | SCREW: M5 X 0.8 X 30, PHL, PAN, ST, ZB            |

## Tray Assembly



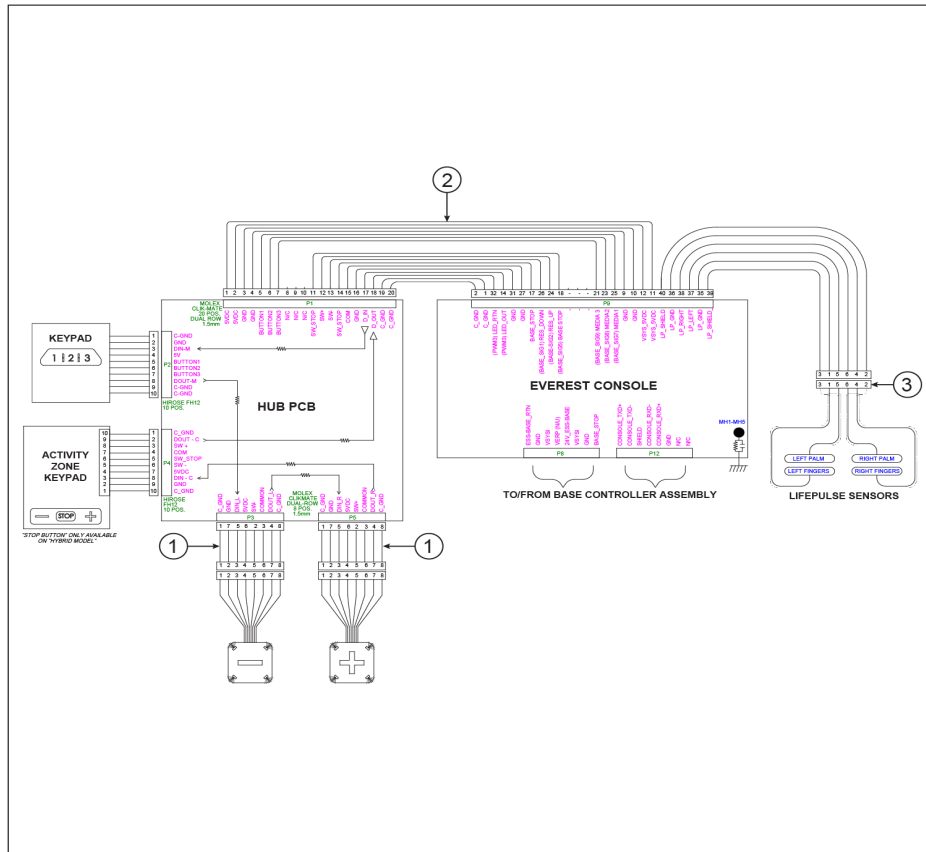
| Ref # | Part Number     | Qty | Description   |
|-------|-----------------|-----|---|
| 1     | 1019927-0001    | 1   | SHROUD ASSY: TRAY, UPPER                            |
| 2     | 1021547-0001    | 1   | PAD ASSY: WIRELESS CHARGER, ADHESIVE                |
| 3     | 1011883-0001    | 1   | PCB ASSY: SE4, WIRELESS CHARGER                     |
| 4     | 1021657-0011    | 1   | MAIN PCB ASSY: TYPE1 100MM LINEAR SENSOR MH         |
| 5     | 1020367-0001    | 3   | CABLE TIE: MOUNT, 4 WAY                             |
| 6     | 0017-00042-1155 | 1   | CABLE TIE: ADHESIVE-BACKED                          |
| 7     | 0017-00101-1971 | 10  | SCREW: M3 X 0.5 6G6G X 6, DIN, PHL, PAN, MS, ST, ZN |
| 8     | 1014289-0002    | 1   | CABLE ASSY: WIRELESS CHARGER, 12V & UART            |
| 9     | 1023650-0001    | 1   | CABLE: FITCORE TO UPRIGHT HUB                       |
| 10    | 1020716-0001    | 1   | CABLE ASSY: HANDLEBAR SENSOR, EVEREST UPRIGHT       |

### Wiring Diagram - Base



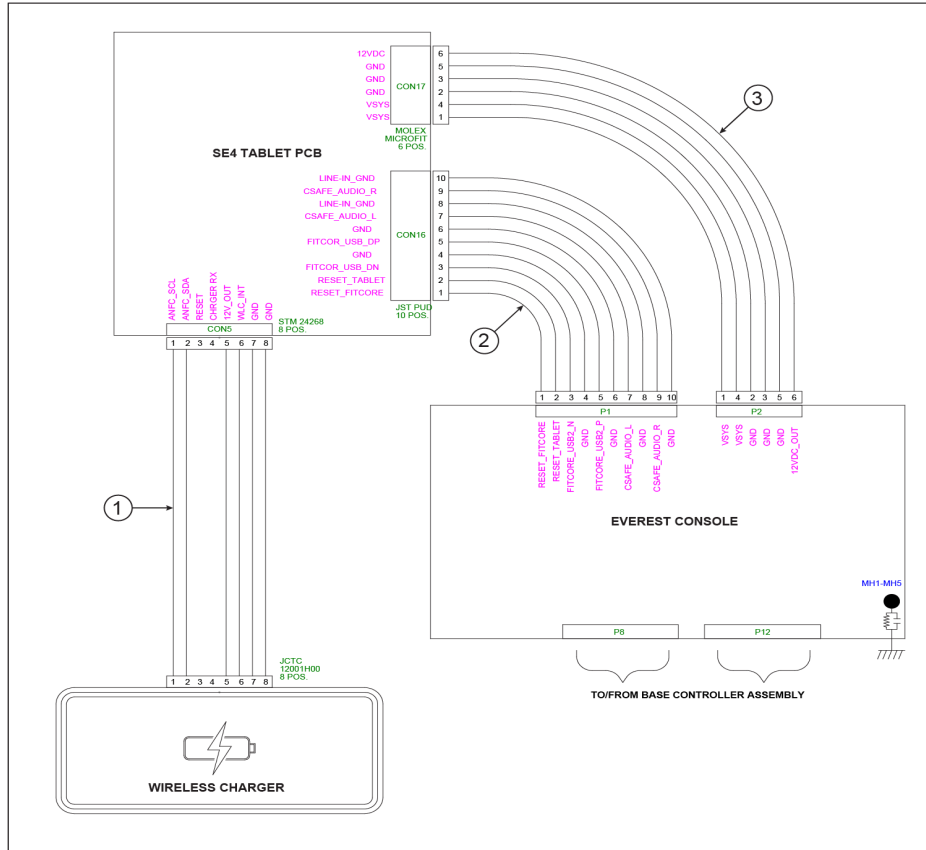
| Ref # | Part Number     | Qty | Description                                   |
|-------|-----------------|-----|---|
| 1     | 1024803-0001    | 1   | ASSEMBLY: WIRE HARNESS, TRADITIONAL           |
| 2     | 1020716-0001    | 1   | CABLE ASSY: HANDLEBAR SENSOR, EVEREST UPRIGHT |
| 3     | 1023652-0001    | 1   | CABLE: BASE LIGHTING, 1271MM                  |
| 4     | 1023653-0001    | 1   | CABLE: LF BUG, Y SPLITTER                     |
| 5     | 1020715-0001    | 1   | CABLE: SEAT SENSOR, 305MM                     |
| 6     | 1004201-0001    | 1   | CABLE: GROUND                                 |
| 7     | 1023063-0001    | 1   | CABLE: LINE FILTER TO POWER SUPPLY            |
| 8     | 1004046-0005    | 1   | CABLE: POWER INPUT, WHITE, 330.2MM            |
| 9     | 1004046-0006    | 1   | CABLE: POWER INPUT, BLACK, 330.2MM            |
| 10    | 1012728-0002    | 1   | CABLE: GROUND, MOTOR                          |
| 11    | 121E-00001-0023 | 1   | FERRITE: SUPPRESSION, CORE-CASE               |

# Wiring Diagram - Console to Handlebar Assembly



| Ref # | Part Number  | Qty | Description                          |
|-------|--------------|-----|--------------------------------------|
| 1     | 1021400-0001 | 1   | CABLE: KEYPAD EXTENSION              |
| 2     | 1023650-0001 | 1   | CABLE: FITCORE TO UPRIGHT HUB        |
| 3     | 1021107-0002 | 1   | CABLE: HR ELECTRODES TO CABLE, 300MM |

# Wiring Diagram - Console to Wireless Charger



| Ref # | Part Number  | Qty | Description                                |
|-------|--------------|-----|--|
| 1     | 1014289-0002 | 1   | CABLE ASSY: WIRELESS CHARGER, 12V & UART   |
| 2     | 1014282-0001 | 1   | CABLE: USB RNDIS COMM TABLET & FITCORE     |
| 3     | 1014283-0001 | 1   | CABLE: POWER VSYS FITCORE TO TABLET 12-24V |

