

Club Series Cross-Trainer Base

CSXD-ALLXX-7201-A

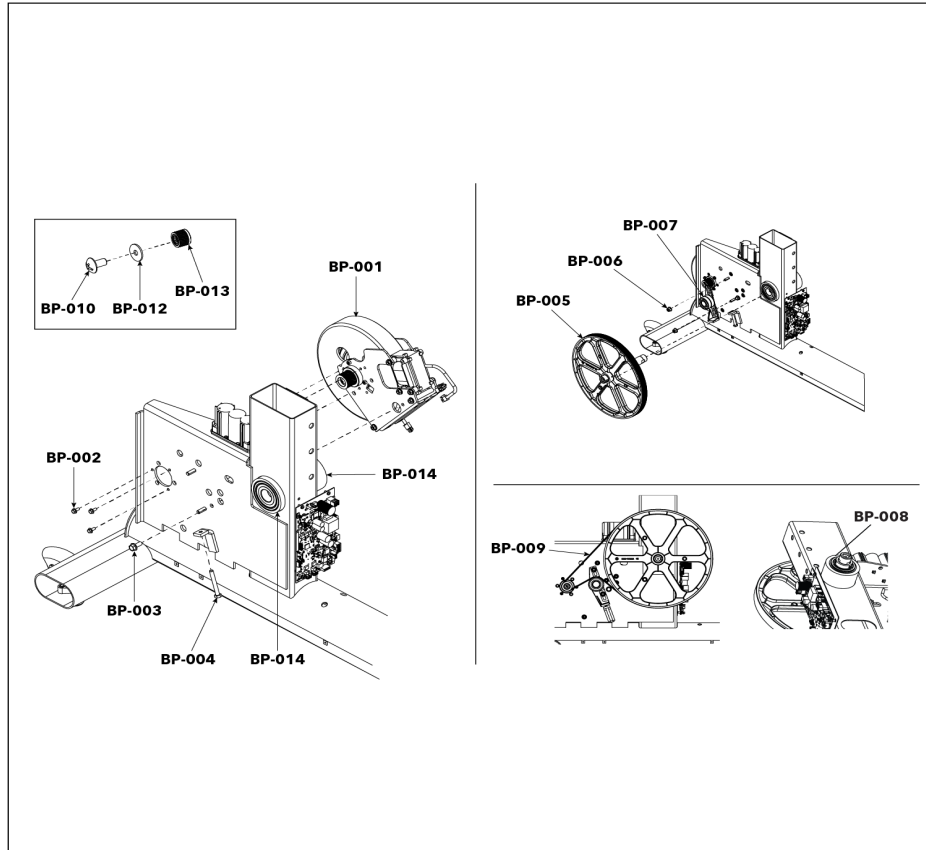
Parts Manual

5/7/2025 10:10:15 AM

Table of Contents

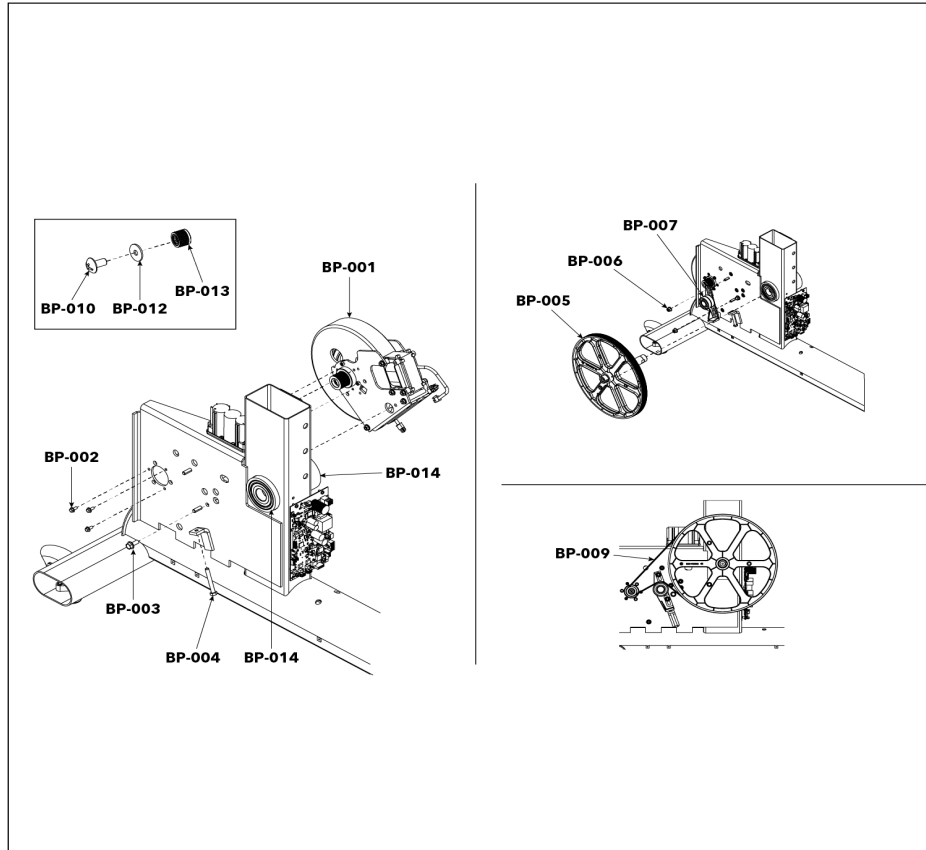
Brake, Pulley, and Idler.....	3
Brake, Pulley, and Idler (Plastic Crank Cover).....	4
Clevis Covers.....	5
Crank Arm (Metal Crank Cover).....	6
Crank Arm (Plastic Crank Cover).....	7
Deadshaft Covers and Console Back.....	8
Front Rollers and Communication Port.....	9
Handlebars, Bullhorn, and Console Mount (Rocker Arms without Studs).....	10
Handlebars, Bullhorn, and Console Mount (Rocker Arms with Studs).....	11
Leg Levelers, Battery, and PCB Assembly.....	13
Link Shrouds and Pedal Levers.....	14
Pedals and Miscellaneous.....	16
Pedal Levers Hardware.....	17
Power Cords.....	18
Rear Shrouds.....	19
Rocker Arms (without Studs).....	20
Rocker Arms (with Studs).....	21
Roller.....	22
Timing Link (Aluminum Tie Rod).....	23
Timing Link (Plastic Anti-Lift Bracket).....	24
Upper Shrouds and Cup Holder.....	25
Wiring Diagram - Base.....	26
Wiring Diagram - Discover Consoles.....	27
Wiring Diagram - Integrity X and C Consoles.....	28

Brake, Pulley, and Idler



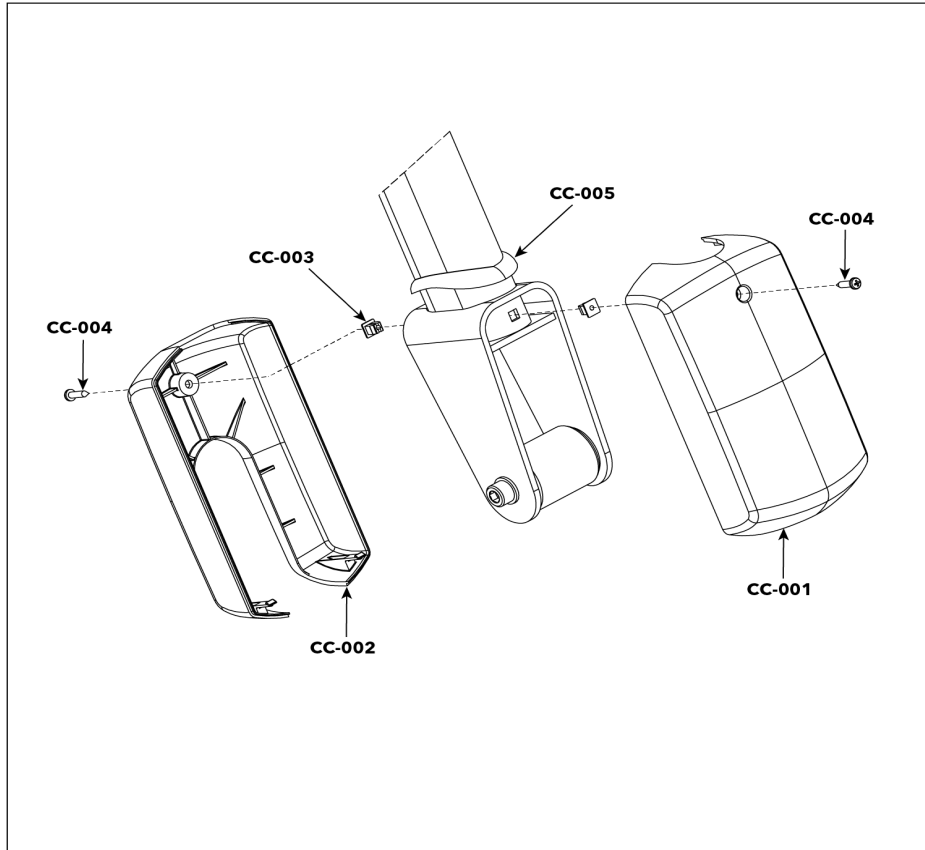
Ref #	Part Number	Qty	Description
BP-001	1003401-0001	1	GENERATOR: W/BRAKE, W/O CLUTCH, 10 RIB PULLEY
BP-002	0017-00101-2151	3	SCREW: M5 X 0.8 6G6G X 12, FLANGE, HEAD, CS, G5, CD
BP-003	0017-00101-2150	1	SCREW: M8 X 1.25 6G6H X 20, UHS, HXW, CS, ST, ZB
BP-004	0017-00101-2002	1	SCREW: M8 X 1.25-6G6G X 60, DIN, UNS, HEX, CS, G5, CD
BP-005	1002566-0000	1	PULLEY: OVERMOLD, SHAFT
BP-006	1003388-0001	2	NUT: M8 X 1.25-6H, DIN, UNF, HEX, LOCKNUT
BP-007	1001619-0001	1	ASSEMBLY: IDLER
BP-008	1001022-0001	1	BEARING: 62 MM X 30, BALL, INSERT
BP-009	1002564-0001	1	BELT: POLY-V 550 J10
BP-010	0K66-01129-0000	1	SCREW: M5 X 0.5-6G6G X 10, PULLEY, GENERATOR
BP-012	0K66-01130-0000	1	WASHER: M5.5 X 18 X 1.45, PULLEY, GENERATOR
BP-013	0K69-01193-0001	1	PULLEY: GENERATOR, 10 RIB
BP-014	1012808-0001	1	BEARING: M30 X 72, BAL, ST

Brake, Pulley, and Idler (Plastic Crank Cover)



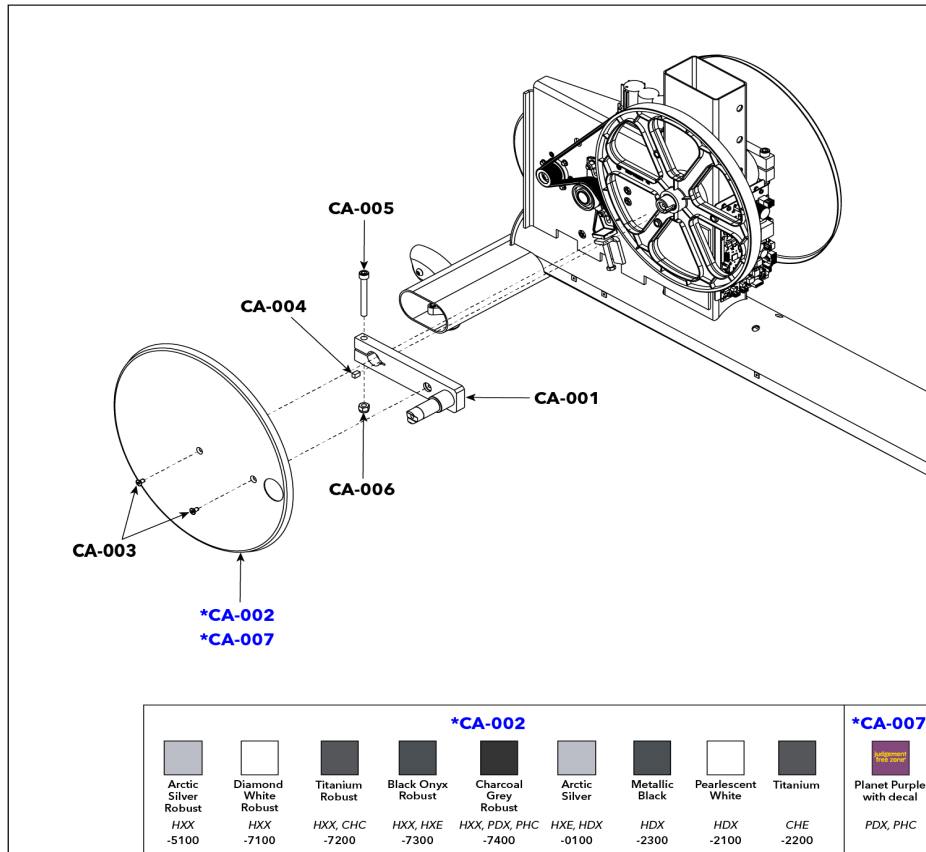
Ref #	Part Number	Qty	Description
BP-001	1003401-0001	1	GENERATOR: W/BRAKE, W/O CLUTCH, 10 RIB PULLEY
BP-002	0017-00101-2151	3	SCREW: M5 X 0.8 6G6G X 12, FLANGE, HEAD, CS, G5, CD
BP-003	0017-00101-2150	1	SCREW: M8 X 1.25 6G6H X 20, UHS, HXW, CS, ST, ZB
BP-004	0017-00101-2002	1	SCREW: M8 X 1.25-6G6G X 60, DIN, UNS, HEX, CS, G5, CD
BP-005	1012942-0000	1	PULLEY: OVERMOLD, SHAFT
BP-006	1003388-0001	2	NUT: M8 X 1.25-6H, DIN, UNF, HEX, LOCKNUT
BP-007	1001619-0001	1	ASSEMBLY: IDLER
BP-009	1002564-0001	1	BELT: POLY-V 550 J10
BP-010	0K66-01129-0000	1	SCREW: M5 X 0.5-6G6G X 10, PULLEY, GENERATOR
BP-012	0K66-01130-0000	1	WASHER: M5.5 X 18 X 1.45, PULLEY, GENERATOR
BP-013	0K69-01193-0001	1	PULLEY: GENERATOR, 10 RIB
BP-014	1012808-0001	1	BEARING: M30 X 72, BAL, ST

Clevis Covers



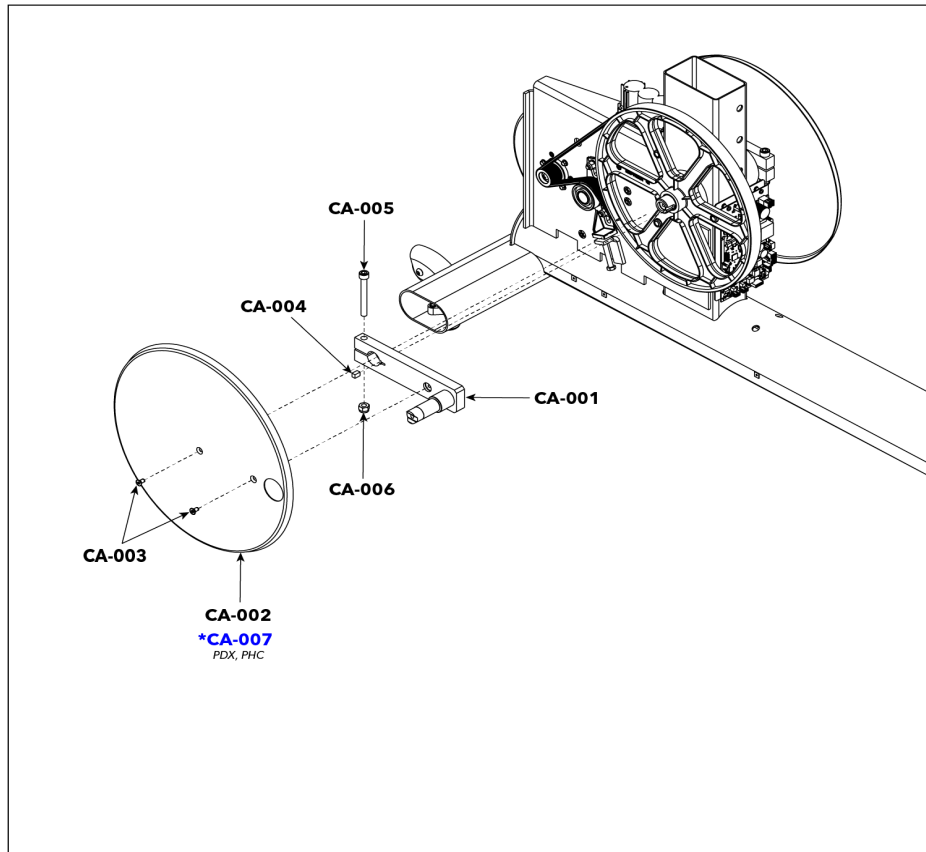
Ref #	Part Number	Qty	Description
CC-001	1002594-2400	2	SHROUD: CLEVIS, FRONT, CHARCOAL GRAY
CC-002	1002595-2400	2	SHROUD: CLEVIS, BACK, CHARCOAL GRAY
CC-003	0017-00042-1147	4	GROMMET: SCREW, 8 OR 10
CC-004	0017-00101-1796	4	SCREW: M4.2 X 0.7 6G6G X 19, DIN, PHL, PAN, AB, ST, ZB
CC-005	1002567-0000	2	GASKET: ROCKER ARM

Crank Arm (Metal Crank Cover)



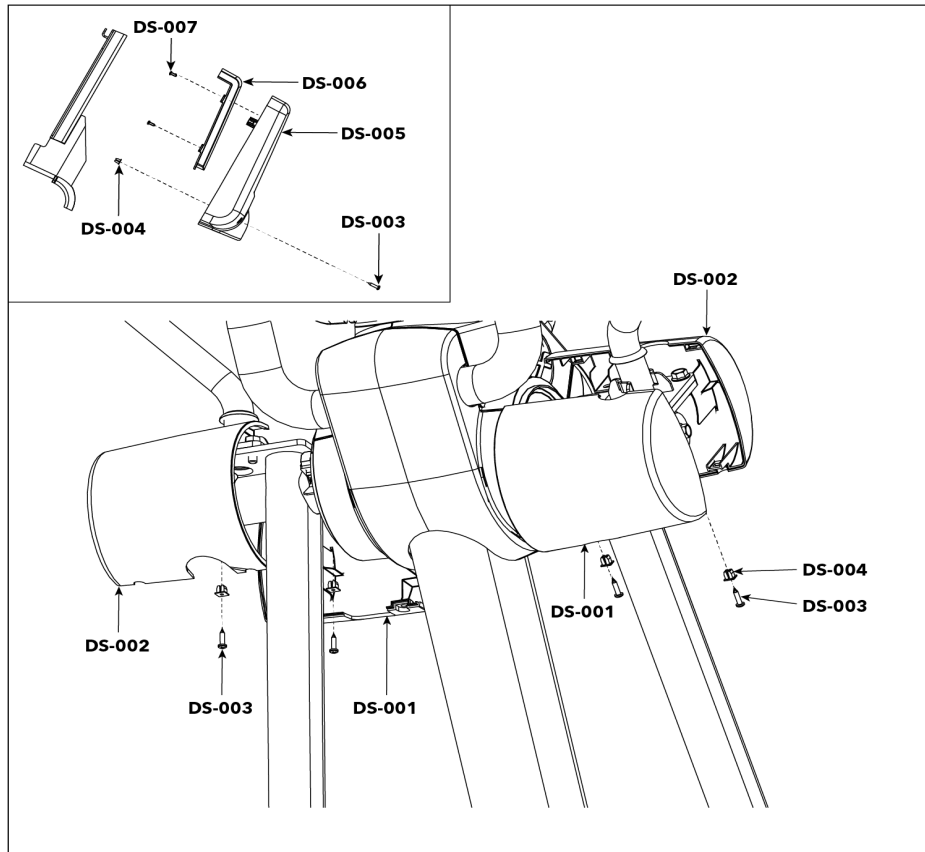
Ref #	Part Number	Qty	Description
CA-001	1001018-0001	2	WELDMENT: CRANK ARM
CA-002h	1001020-2100	2	COVER: CRANK ARM, PEARLESCENT WHITE
CA-002b	1001020-7100	2	COVER: CRANK ARM, PEARLESCENT WHITE ROBUST
CA-002c, CA-002i	1001020-2200	4	COVER: CRANK ARM, TITANIUM
CA-002e	1001020-7400	2	COVER: CRANK ARM, CHARCOAL GRAY ROBUST
CA-002a, CA-002f	1001020-0100	4	COVER: CRANK ARM, ARCTIC SILVER
CA-002d, CA-002g	1001020-2300	4	COVER: CRANK ARM, METALLIC BLACK
CA-003	0017-00101-1988	4	SCREW: M6 X 1-6G6G X 12, DIN, SOC, FLT, CS, ST, ZB
CA-004	1002599-0001	2	KEY: 8M X 7 X 12, SQK
CA-005	1011066-0001	2	SCREW: M10 X 1.5 X 65, SHCS
CA-006	0017-00103-0334	2	NUT: M10 X 1.50-6H6H, DIN, LOCKNUT, ST, ZB
CA-007	1012959-0001	2	ASSEMBLY: COVER W/DECAL, CRANK ARM, CHGR

Crank Arm (Plastic Crank Cover)



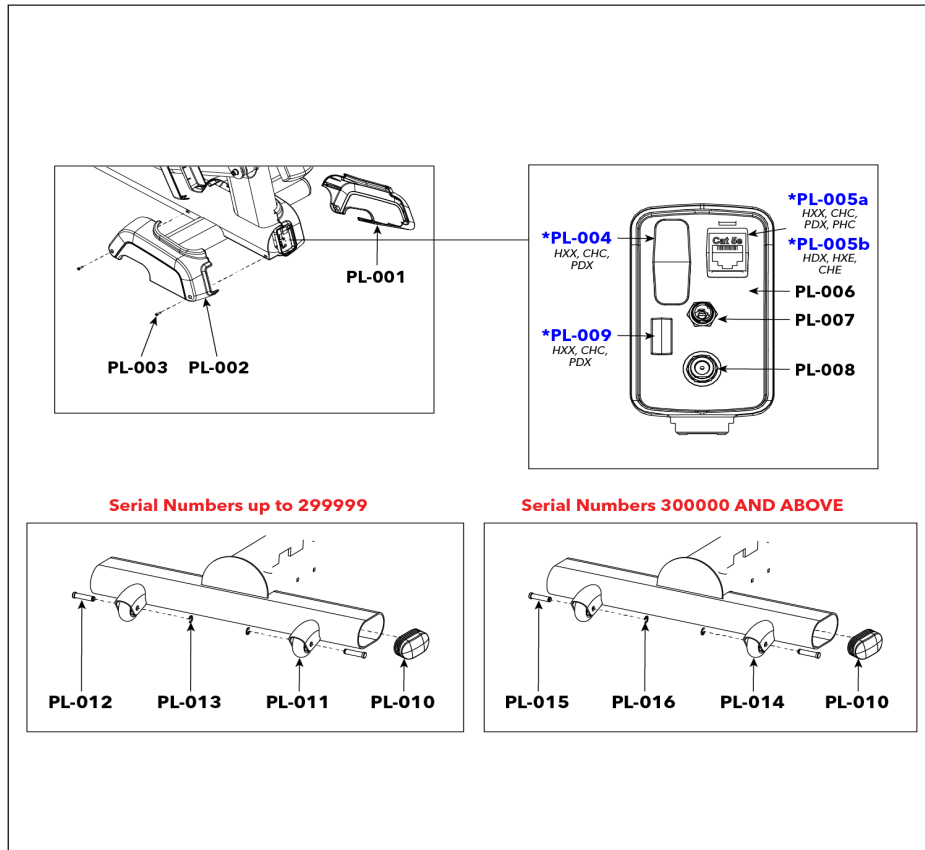
Ref #	Part Number	Qty	Description
CA-001	1012941-0001	2	WELDMENT: CRANK ARM
CA-002	1011279-0001	2	COVER: CRANK ARM
CA-003	1005398-0001	4	SCREW: M6 X 1.0 X 16, DIN, HEX, SOC, CS, ST, BO
CA-004	1002599-0001	2	KEY: 8M X 7 X 12, SQK
CA-005	1011066-0001	2	SCREW: M10 X 1.5 X 65, SHCS
CA-006	0017-00103-0334	2	NUT: M10 X 1.50-6H6H, DIN, LOCKNUT, ST, ZB
CA-007	1017614-0001	2	ASSEMBLY: COVER W/DECAL, PF

Deadshaft Covers and Console Back



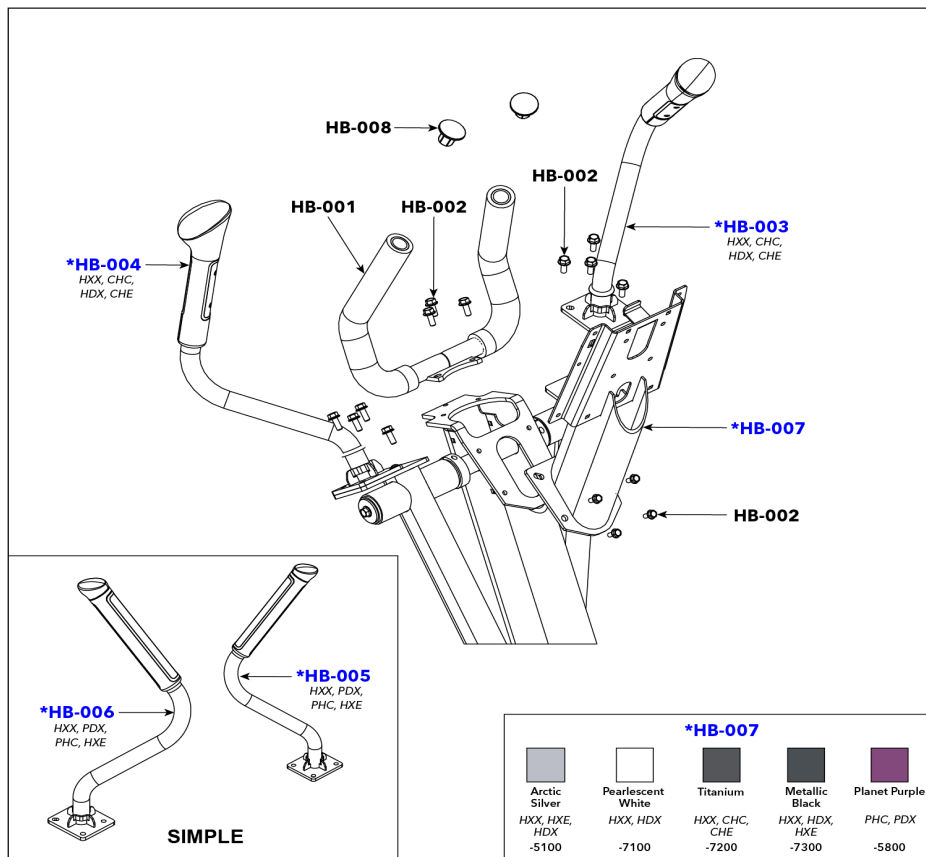
Ref #	Part Number	Qty	Description
DS-001	1002573-2400	2	SHROUD: DEADSHAFT, A, CHARCOAL GRAY
DS-002	1002574-2400	2	SHROUD: DEADSHAFT, B, CHARCOAL GRAY
DS-003	0017-00101-1796	6	SCREW: M4.2 X 0.7 6G6G X 19, DIN, PHL, PAN, AB, ST, ZB
DS-004	0017-00042-1147	6	GROMMET: SCREW, 8 OR 10
DS-005	1002578-2400	1	SHROUD: CONSOLE, BACK, CHARCOAL GRAY
DS-006	1012962-0001	1	ASSEMBLY: REAR SHROUD W/DECAL, FILLER, CHGR
DS-007	0017-00101-1650	4	SCREW: 6-19 X 6, PHL, PAN, PLT, ST, ZB, VMI

Front Rollers and Communication Port



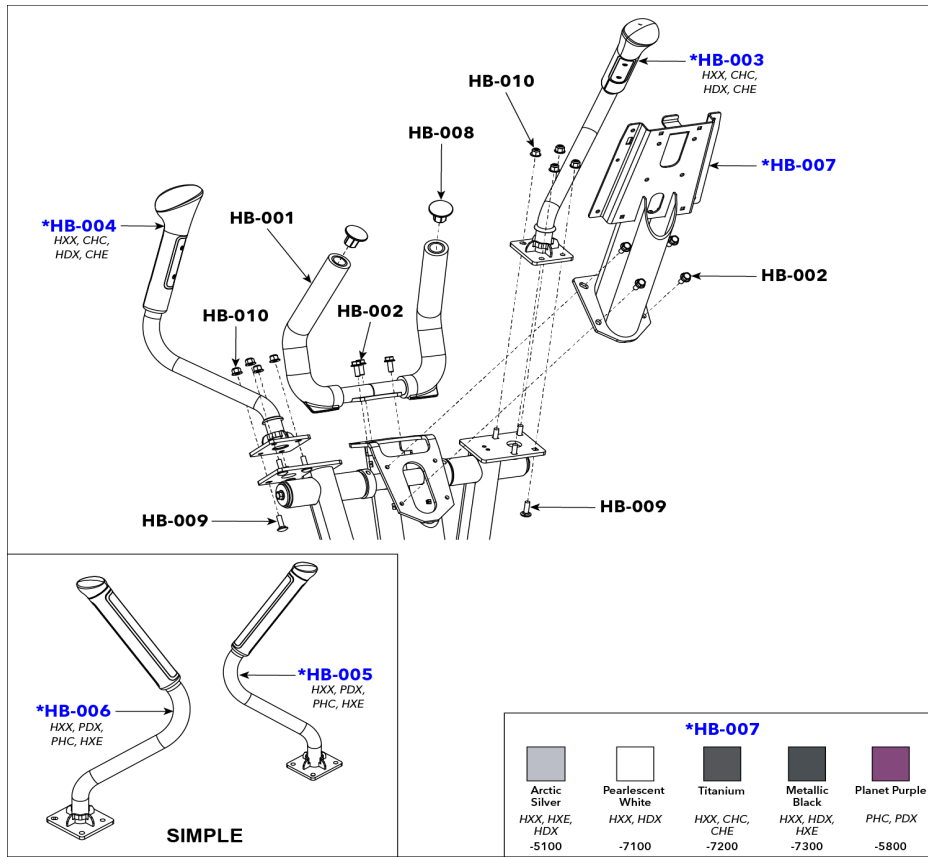
Ref #	Part Number	Qty	Description
PL-001	1002581-2400	1	SHROUD: MONOCOLUMN, LOWER, LEFT, CHARCOAL GRAY
PL-002	1002582-2400	1	SHROUD: MONOCOLUMN, LOWER, RIGHT, CHARCOAL GRAY
PL-003	0017-00101-1796	2	SCREW: M4.2 X 0.7 6G6G X 19, DIN, PHL, PAN, AB, ST, ZB
PL-004	1005393-0700	1	PLUG: HDMI, BLACK
PL-005a	1004601-0001	1	PLUG: RJ45 RECEPTACLE
PL-005b	0017-00021-3195	1	COUPLER: CAT5E, SHIELDED, RJ45
PL-006	1002587-2400	1	SHROUD: COMMUNICATION PORT, CHARCOAL GRAY
PL-007	1003521-0003	1	CABLE: POWER, RCB TO PANEL, 5A, CROSSTRAINER
PL-008	0017-00021-2846	1	CONNECTOR: COAX, PANEL MOUNT
PL-009	1005470-0700	1	PLUG: IR PORT, BLACK
PL-010	1022454-0001	4	ENDCAP: FLOV : INJ MOLDED
PL-011,PL-014	1010977-0001	4	WHEEL: NON-TREAD
PL-012,PL-016	1011049-0001	4	RING: M10, E-RING, ST
PL-013,PL-015	1011048-0001	4	CLEVIS PIN: 10mm O.D.

Handlebars, Bullhorn, and Console Mount (Rocker Arms without Studs)



Ref #	Part Number	Qty	Description
HB-001	1001059-0700	1	WELDMENT: BULLHORN, BLACK
HB-002	0017-00101-2150	15	SCREW: M8 X 1.25 6G6H X 20, UHS, HXW, CS, ST, ZB
HB-003	1003361-7401	1	ASSEMBLY: HANDLEBAR, FEATURED, LEFT, CHARCOAL GRAY ROBUST
HB-004	1003362-7401	1	ASSEMBLY: HANDLEBAR, FEATURED, RIGHT, CHARCOAL GRAY ROBUST
HB-005	1003359-7401	1	ASSEMBLY: HANDLEBAR, SIMPLE, LEFT, CHARCOAL GRAY ROBUST
HB-006	1003360-7401	1	ASSEMBLY: HANDLEBAR, SIMPLE, RIGHT, CHARCOAL GRAY ROBUST
HB-007a	1001029-5100	1	WELDMENT: CONSOLE MOUNT, ARCTIC SILVER ROBUST
HB-007e	1001029-5800	1	WELDMENT: CONSOLE MOUNT PLANET PURPLE
HB-007c	1001029-7200	1	WELDMENT: CONSOLE MOUNT TITANIUM
HB-007b	1001029-7100	1	WELDMENT: CONSOLE MOUNT, PEARLESCENT WHITE ROBUST
HB-007d	1001029-7300	1	WELDMENT: CONSOLE MOUNT, METALLIC BLACK ROBUST
HB-008	0K63-01114-0000	2	HANDLEBAR: ENDCAP

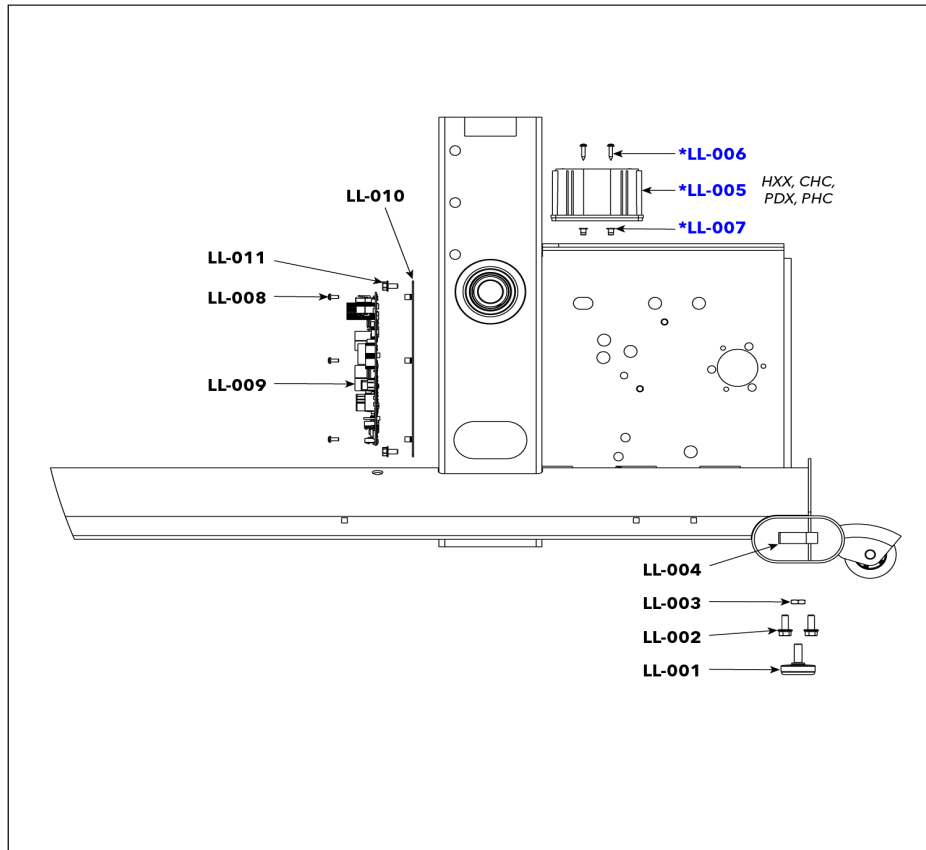
Handlebars, Bullhorn, and Console Mount (Rocker Arms with Studs)



Ref #	Part Number	Qty	Description
HB-001	1001059-0700	1	WELDMENT: BULLHORN, BLACK
HB-002	0017-00101-2150	15	SCREW: M8 X 1.25 6G6H X 20, UHS, HXW, CS, ST, ZB
HB-003	1012645-7401	1	ASSEMBLY: HANDLEBAR, FEATURED, LEFT, CHARCOAL GRAY ROBUST
HB-004	1012647-7401	1	ASSEMBLY: HANDLEBAR, FEATURED, RIGHT, CHARCOAL GRAY ROBUST
HB-005	1012649-7401	1	ASSEMBLY: HANDLEBAR, SIMPLE, LEFT, CHARCOAL GRAY ROBUST
HB-006	1012651-7401	1	ASSEMBLY: HANDLEBAR, SIMPLE, RIGHT, CHARCOAL GRAY ROBUST
HB-007c	1001029-7200	1	WELDMENT: CONSOLE MOUNT TITANIUM
HB-007b	1001029-7100	1	WELDMENT: CONSOLE MOUNT, PEARLESCENT WHITE ROBUST
HB-007e	1001029-5800	1	WELDMENT: CONSOLE MOUNT PLANET PURPLE
HB-007a	1001029-5100	1	WELDMENT: CONSOLE MOUNT, ARCTIC SILVER ROBUST
HB-007d	1001029-7300	1	WELDMENT: CONSOLE MOUNT, METALLIC BLACK ROBUST
HB-008	0K63-01114-0000	2	HANDLEBAR: ENDCAP
HB-009	1012660-0001	8	SCREW: M8 X 1.25 X 25, DIN, UNS, RND, CRG, ST, ZS

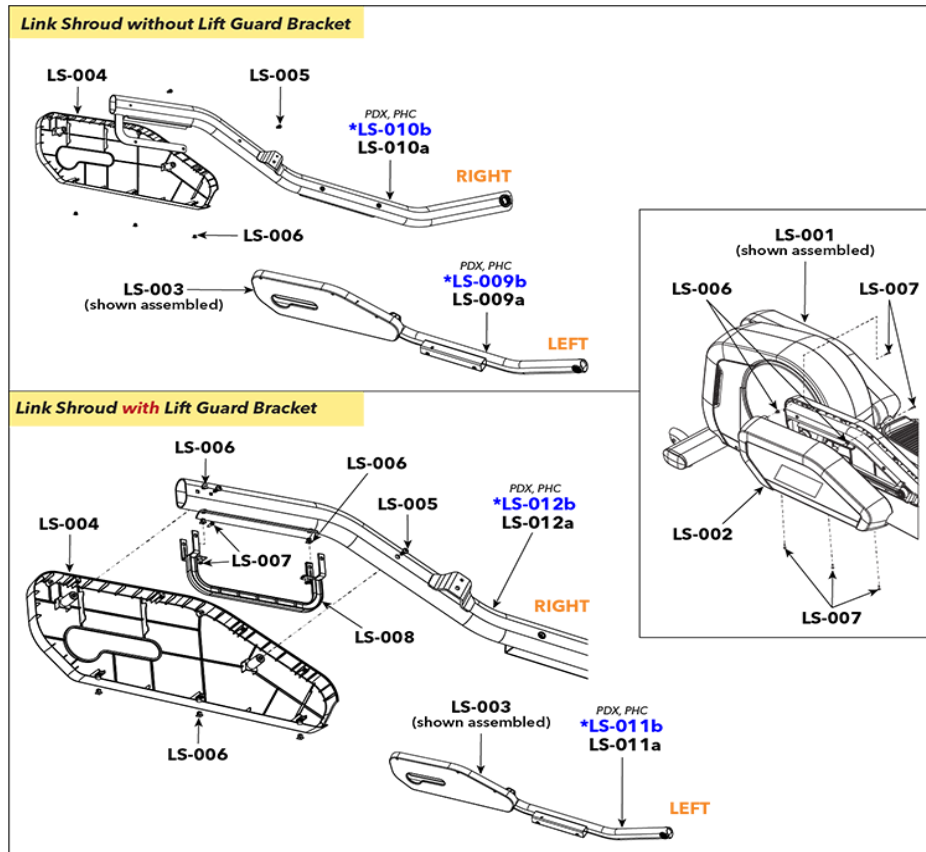
Ref #	Part Number	Qty	Description
HB-010	1003388-0001	8	NUT: M8 X 1.25-6H, DIN, UNF, HEX, LOCKNUT

Leg Levelers, Battery, and PCB Assembly



Ref #	Part Number	Qty	Description
LL-001	0K62-01178-0000	4	LEVELER: M10 X 1.50, LEG
LL-002	0017-00101-2150	8	SCREW: M8 X 1.25 6G6H X 20, UHS, HXW, CS, ST, ZB
LL-003	0017-00103-0330	4	NUT: M10 X 1.50 - 6H6H, DIN, D JAM, ST, ZB
LL-004	1001040-0001	4	BLOCK: LEVELER
LL-005	0017-00003-0685	1	BATTERY: 6 VOLT, 2.5AH C (0819-1006)
LL-006	0017-00101-1796	2	SCREW: M4.2 X 0.7 6G6G X 19, DIN, PHL, PAN, AB, ST, ZB
LL-007	0017-00042-1147	2	GROMMET: SCREW, 8 OR 10
LL-008	0017-00101-1989	5	SCREW: M4 X 6G6G X 10, PHL, PAN, ST, ZN
LL-009	1003117-0011	1	PCB ASSY: RESISTANCE CONTROL
LL-010	1011068-0001	1	ASSEMBLY: BOARD MOUNT
LL-011	1009565-0001	2	BOLT: M6 X 1.0 X 12, TAPTITE

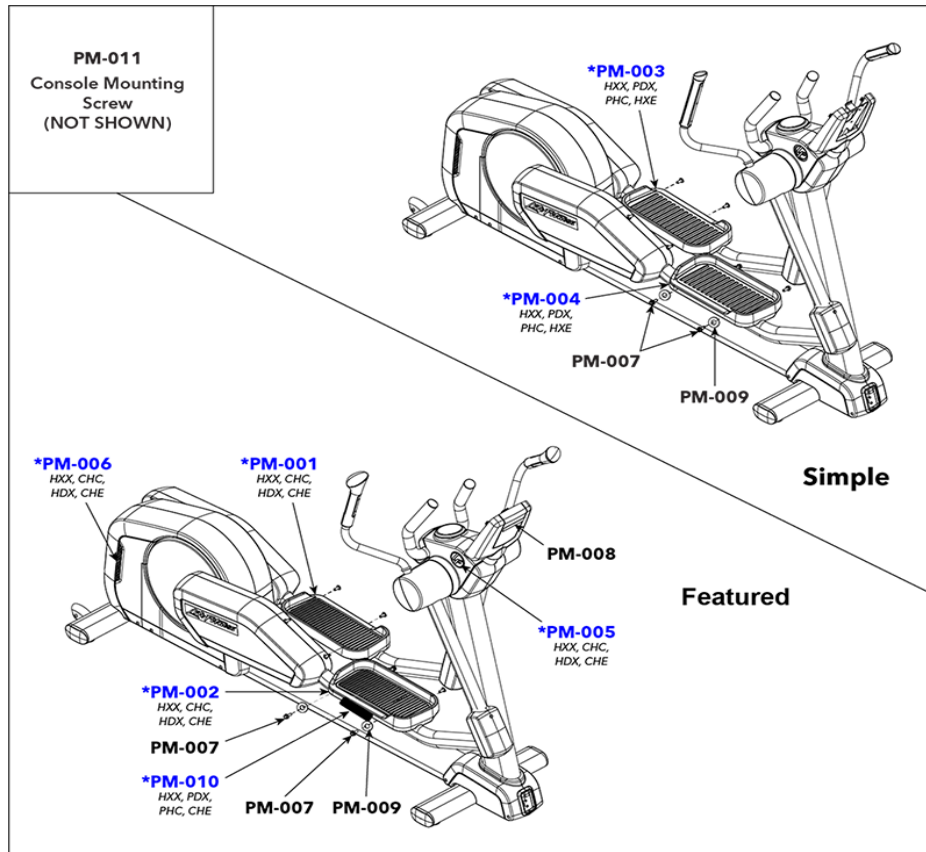
Link Shrouds and Pedal Levers



Ref #	Part Number	Qty	Description
LS-001	1012957-0001	1	ASSEMBLY: SHROUD W/DECAL, OUTER, LEFT, CHGR
LS-002	1012958-0001	1	ASSEMBLY: SHROUD W/DECAL, OUTER, RIGHT, CHGR
LS-003	1002589-2400	1	SHROUD: LINK, INNER, LEFT, CHARCOAL GRAY
LS-004	1002588-2400	1	SHROUD: LINK, INNER, RIGHT, CHARCOAL GRAY
LS-005	1005249-0001	4	SCREW: M6 X 1 X 16, DIN, UNS, HXW, SERRATED, CS, ST, ZB
LS-006	0017-00042-1147	6	GROMMET: SCREW, 8 OR 10
LS-007	0017-00101-1796	6	SCREW: M4.2 X 0.7 6G6G X 19, DIN, PHL, PAN, AB, ST, ZB
LS-008	1013134-0001	1	BRACKET: LIFT GUARD
LS-009a	1001096-7400	1	ASSEMBLY: PEDAL LEVER, LEFT, W/HARDWARE, CHARCOAL GRAY ROBUST
LS-009b	1001096-5800	1	ASSEMBLY: PEDAL LEVER, LEFT, W/HARDWARE, PURPLE ROBUST
LS-010b	1001097-5800	1	ASSEMBLY: PEDAL LEVER, RIGHT, W/HARDWARE, PURPLE ROBUST
LS-010a	1001097-7400	1	ASSEMBLY: PEDAL LEVER, RIGHT, W/HARDWARE, CHARCOAL GRAY ROBUST
LS-011a	1015237-5300	1	ASSEMBLY: PEDAL LEVER, LEFT, W/HARDWARE, CHARCOAL GRAY SMOOTH
LS-011b	1015237-5800	1	ASSEMBLY: PEDAL LEVER, LEFT, W/HARDWARE, PURPLE ROBUST

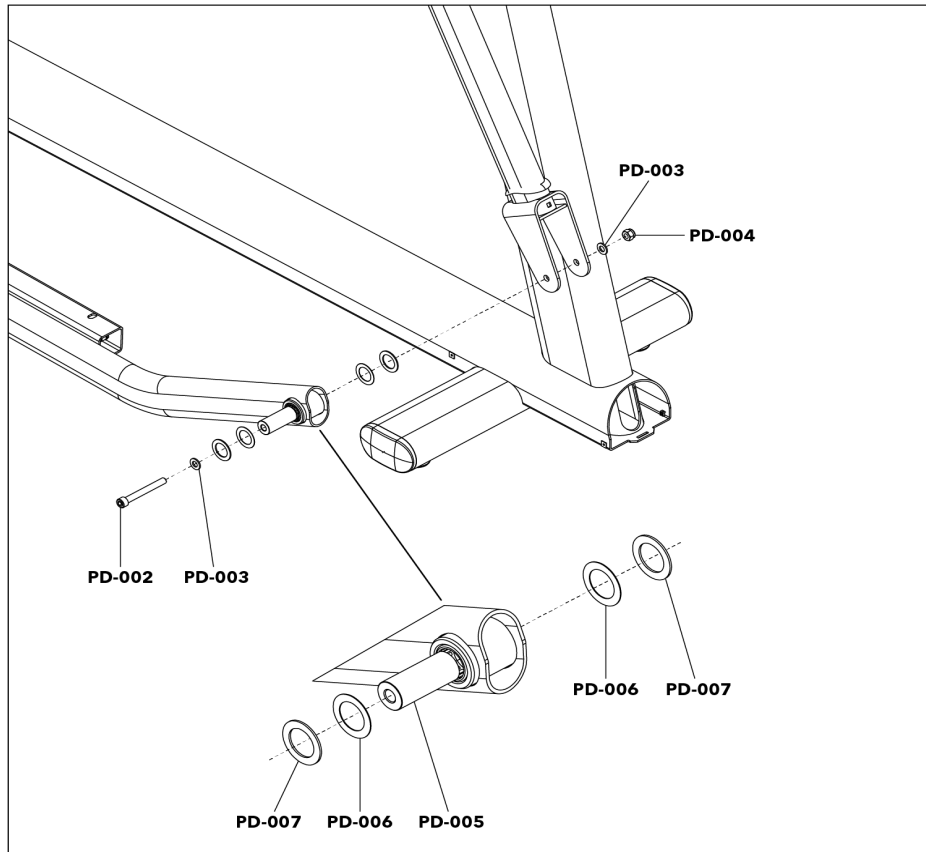
Ref #	Part Number	Qty	Description
LS-012a	1015236-5300	1	ASSEMBLY: PEDAL LEVER, RIGHT, W/HARDWARE, CHARCOAL GRAY SMOOTH
LS-012b	1015236-5800	1	ASSEMBLY: PEDAL LEVER, RIGHT, W/HARDWARE, PURPLE ROBUST

Pedals and Miscellaneous



Ref #	Part Number	Qty	Description
PM-001,PM-010	1008296-0001	2	ASSEMBLY: PEDAL W/LABEL; LEFT
PM-002	1008297-0001	1	ASSEMBLY: PEDAL W/LABEL; RIGHT
PM-003	1002559-0700	1	PEDAL: LEFT, SIMPLE, BLACK
PM-004	1002560-0700	1	PEDAL: RIGHT, SIMPLE, BLACK
PM-005	AK58-00245-2401	1	MEDALLION-ASSY: BUG, LIFE FITNESS, CHARCOAL GRAY
PM-006	1005455-0001	1	DECAL: REAR SHROUD VENT, CROSSTRAINER
PM-007	0017-00101-1929	8	SCREW: M8 X 1.25-6G6G X 25, DIN, HEX, BUT, CS, ST
PM-008	0K69-01251-0000	1	DECAL: LOGO CONSOLE
PM-009	0017-00104-0510	8	WASHER: M8.4 X 19 X 1.6, DIN, FLAT, ST, ZB
PM-011	0017-00101-1940	5	SCREW: M5 X 0.8 X 14, PHL, PAN, MS, ST, ZN

Pedal Levers Hardware



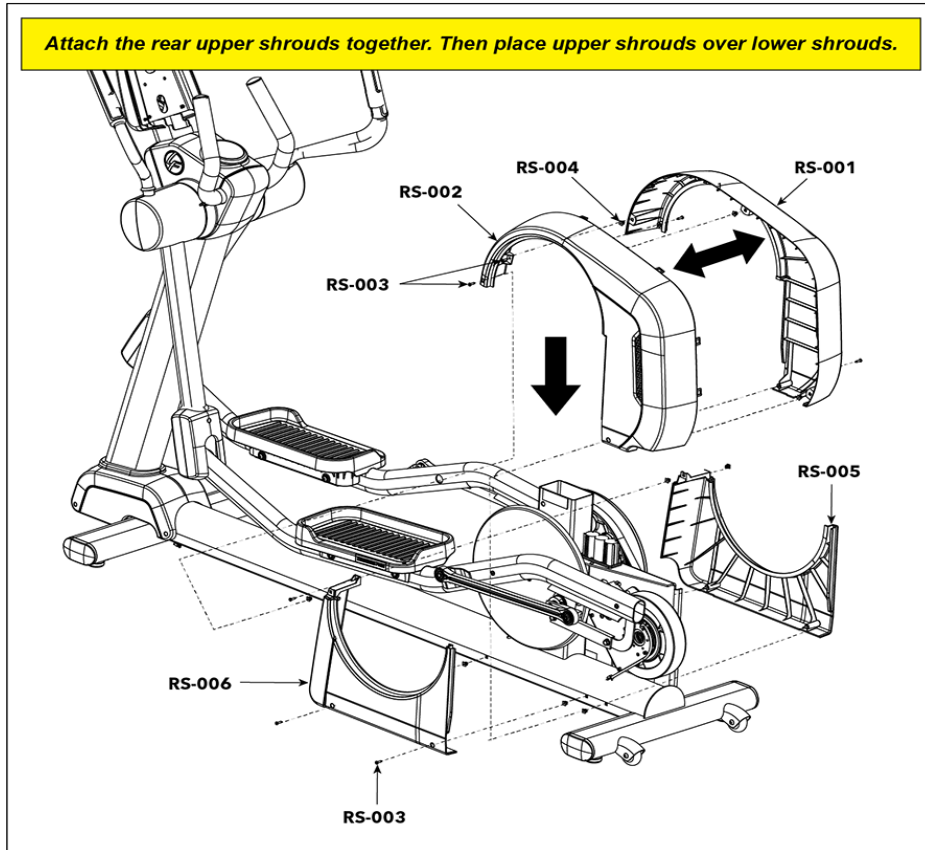
Ref #	Part Number	Qty	Description
PD-002	1000721-0001	2	SCREW: M10 X 1.5 X 85, SHCS
PD-003	0017-00104-0470	4	WASHER: M10.5 X 20 X 2, DIN, DFLAT, ST, ZB
PD-004	0017-00103-0334	2	NUT: M10 X 1.50-6H6H, DIN, LOCKNUT, ST, ZB
PD-005	0K69-01075-0000	2	SHAFT: ROCKER, FRONT
PD-006	0K69-01190-0000	4	WASHER: 1.0 INCH X 1.5, THRUST, STEEL
PD-007	0K47-01104-0000	4	WASHER: BEARING, THRUST

Power Cords

LC-001		
LC-002		
LC-003		
LC-004		
LC-005		
LC-006		

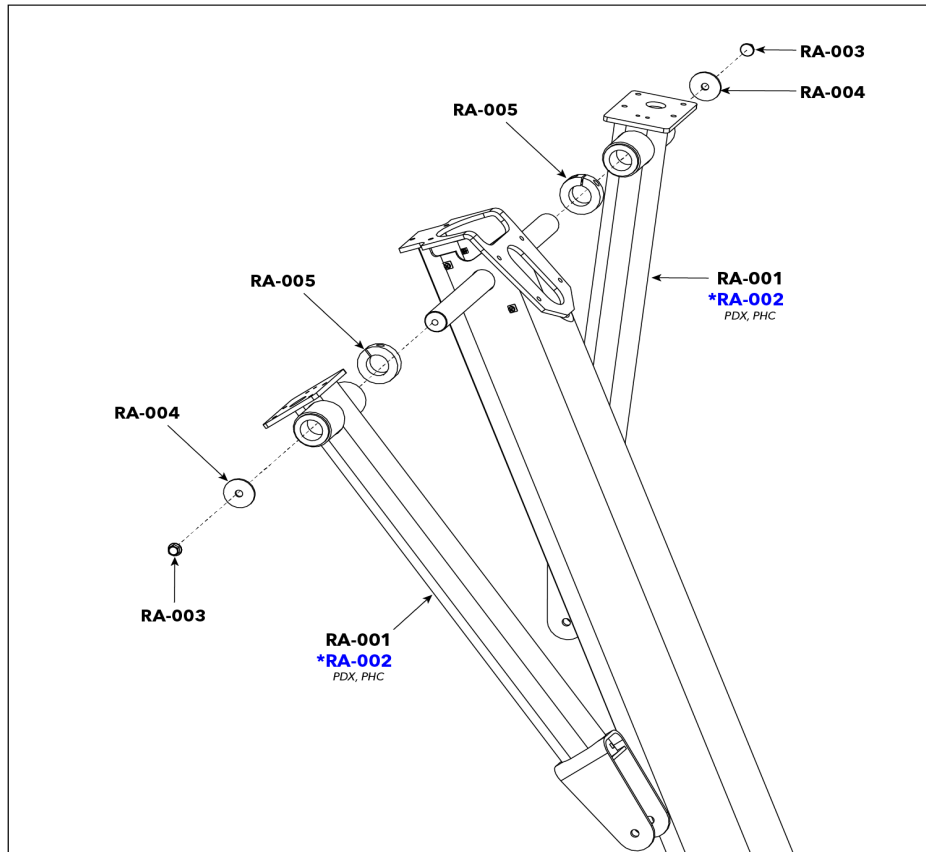
Ref #	Part Number	Qty	Description
LC-001	0017-00003-0691	1	LINE-CORD: CON 10A 250V B
LC-002	0017-00003-0704	1	LINE-CORD: DOM. 10A 125V B
LC-003	0017-00003-0889	1	LINE-CORD: 10A; U.K B
LC-004	0017-00003-0918	1	LINE-CORD: AUSTRALIA B
LC-005	0017-00003-1053	1	LINE-CORD: BRAZIL, IEC-C13
LC-006	0017-00003-1067	1	LINE-CORD: ARGENTINA, IRAM 2073, IEC-C13

Rear Shrouds



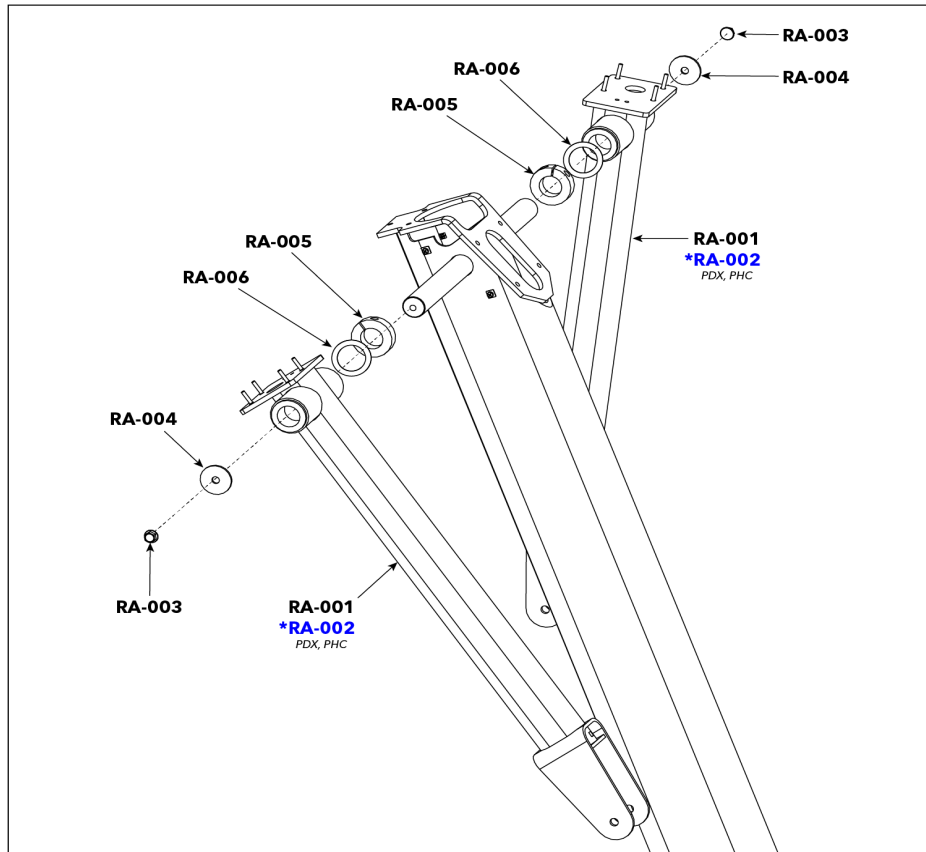
Ref #	Part Number	Qty	Description
RS-001	1002583-2400	1	SHROUD: REAR, UPPER, RIGHT, CHARCOAL GRAY
RS-002	1002584-2400	1	SHROUD: REAR, UPPER, LEFT, CHARCOAL GRAY
RS-003	0017-00101-1796	12	SCREW: M4.2 X 0.7 6G6G X 19, DIN, PHL, PAN, AB, ST, ZB
RS-004	0017-00042-1147	12	GROMMET: SCREW, 8 OR 10
RS-005	1002585-2400	1	SHROUD: REAR, LOWER, RIGHT, CHARCOAL GRAY
RS-006	1002586-2400	1	SHROUD: REAR, LOWER, LEFT, CHARCOAL GRAY

Rocker Arms (without Studs)



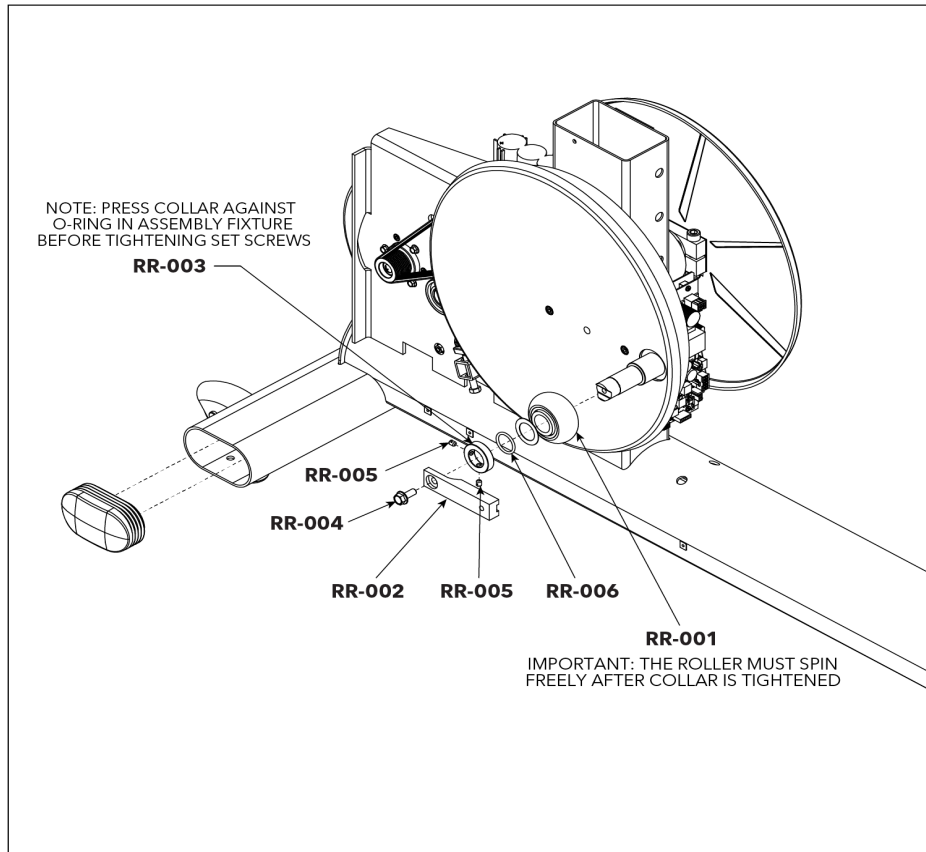
Ref #	Part Number	Qty	Description
RA-001	1001048-7400	2	ASSEMBLY: ROCKER ARM, CHARCOAL GREY ROBUST
RA-002	1001048-5800	2	ASSEMBLY: ROCKER ARM, PURPLE ROBUST
RA-003	0017-00101-2150	2	SCREW: M8 X 1.25 6G6H X 20, UHS, HXW, CS, ST, ZB
RA-004	0017-00104-0454	2	WASHER: 0.390 INCH X 1.625 X 0.120
RA-005	0K69-01018-0000	2	COLLAR: 30 MM ID, SHAFT

Rocker Arms (with Studs)



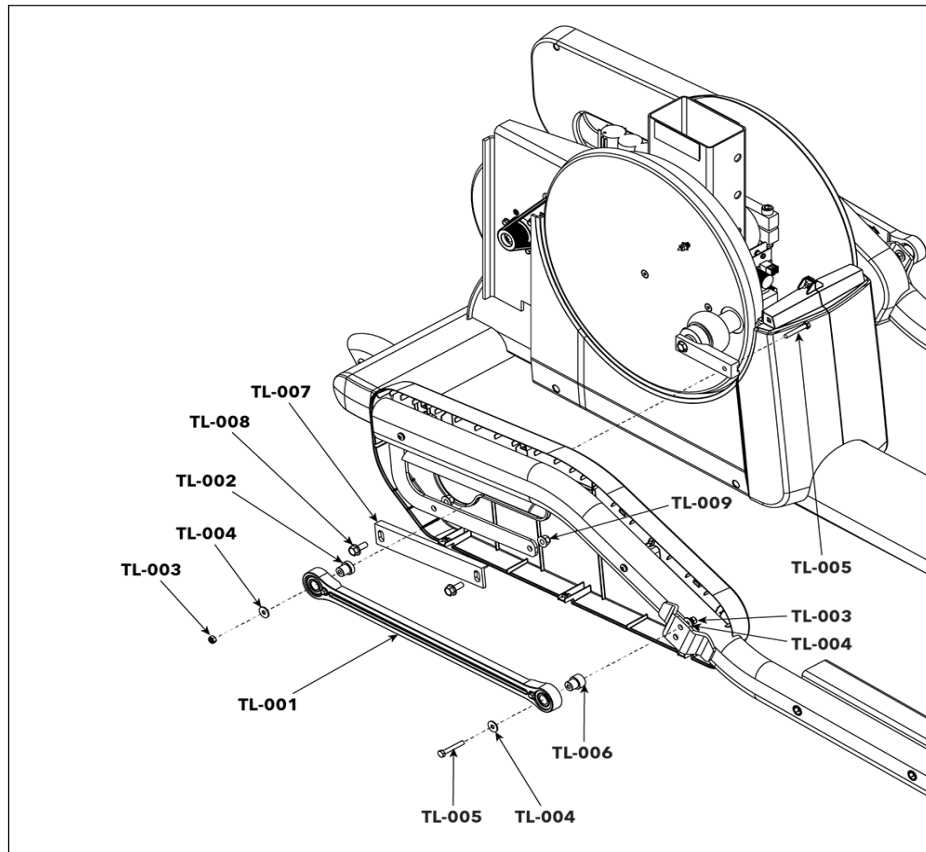
Ref #	Part Number	Qty	Description
RA-001	1012641-7401	2	ASSEMBLY: ROCKER ARM, CHARCOAL GRAY ROBUST
RA-002	1012641-5801	2	ASSEMBLY: ROCKER ARM, PURPLE ROBUST
RA-003	0017-00101-2150	2	SCREW: M8 X 1.25 6G6H X 20, UHS, HXW, CS, ST, ZB
RA-004	0017-00104-0454	2	WASHER: 0.390 INCH X 1.625 X 0.120
RA-005	0K69-01018-0000	2	COLLAR: 30 MM ID, SHAFT
RA-006	0017-00104-0418	2	VMI WSH 1.2-1.75-060 FL-D ST ZN B

Roller



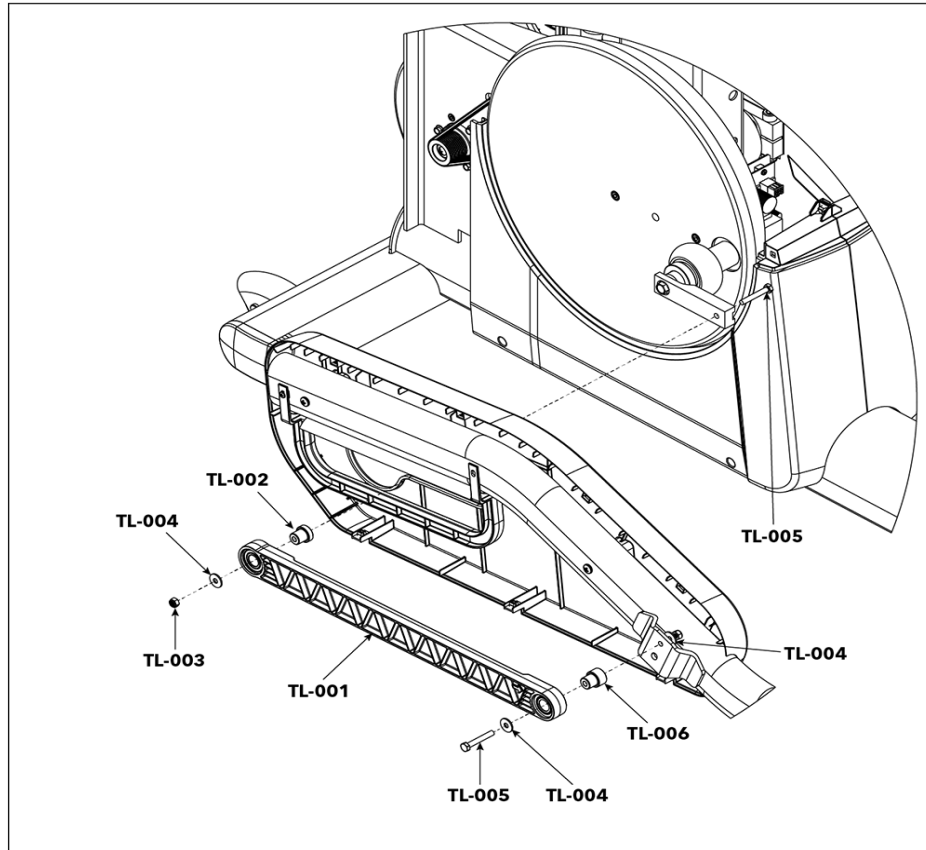
Ref #	Part Number	Qty	Description
RR-001	AK61-00063-0000	2	ASSEMBLY: ROLLER, W/BEARING
RR-002	1001015-0001	2	BAR: EXTENSION ARM
RR-003	1009112-0001	2	COLLAR: M25, SHAFT
RR-004	0017-00101-2150	2	SCREW: M8 X 1.25 6G6H X 20, UHS, HXW, CS, ST, ZB
RR-005	1009209-0001	2	SCREW: M6 X 1 X 8, CUP POINT, SET SCREW
RR-006	1023236-0001	2	O-RING: 25MM ID X 3MM

Timing Link (Aluminum Tie Rod)



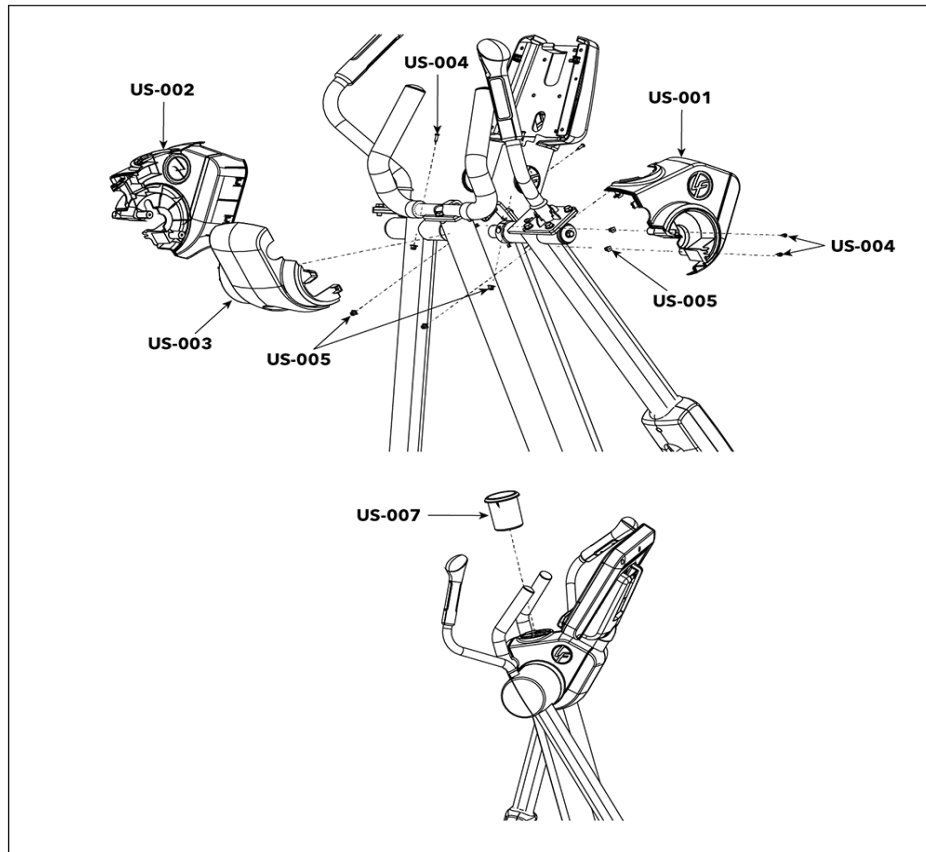
Ref #	Part Number	Qty	Description
TL-001	1012417-0001	2	ASSEMBLY: TIE ROD, W/ BRGS
TL-002	1017737-0001	2	BUSHING: BEARING, TIMING LINK
TL-003	0017-00103-0378	4	NUT: M6 X 1-6H6H, DIN, LOCKNUT, ST, BZ
TL-004	0017-00104-0468	6	WASHER: M6.4 X 18 X 1.6, DIN, FLAT, G5, ZB
TL-005	0017-00101-2064	4	SCREW: M6 X 1 X 40, HEX HEAD, CAP
TL-006	1017736-0001	2	BUSHING: BEARING, TIMING LINK
TL-007	1013134-0001	2	BRACKET: LIFT GUARD
TL-008	0017-00101-2150	4	SCREW: M8 X 1.25 6G6H X 20, UHS, HXW, CS, ST, ZB
TL-009	1003388-0001	4	NUT: M8 X 1.25-6H, DIN, UNF, HEX, LOCKNUT

Timing Link (Plastic Anti-Lift Bracket)



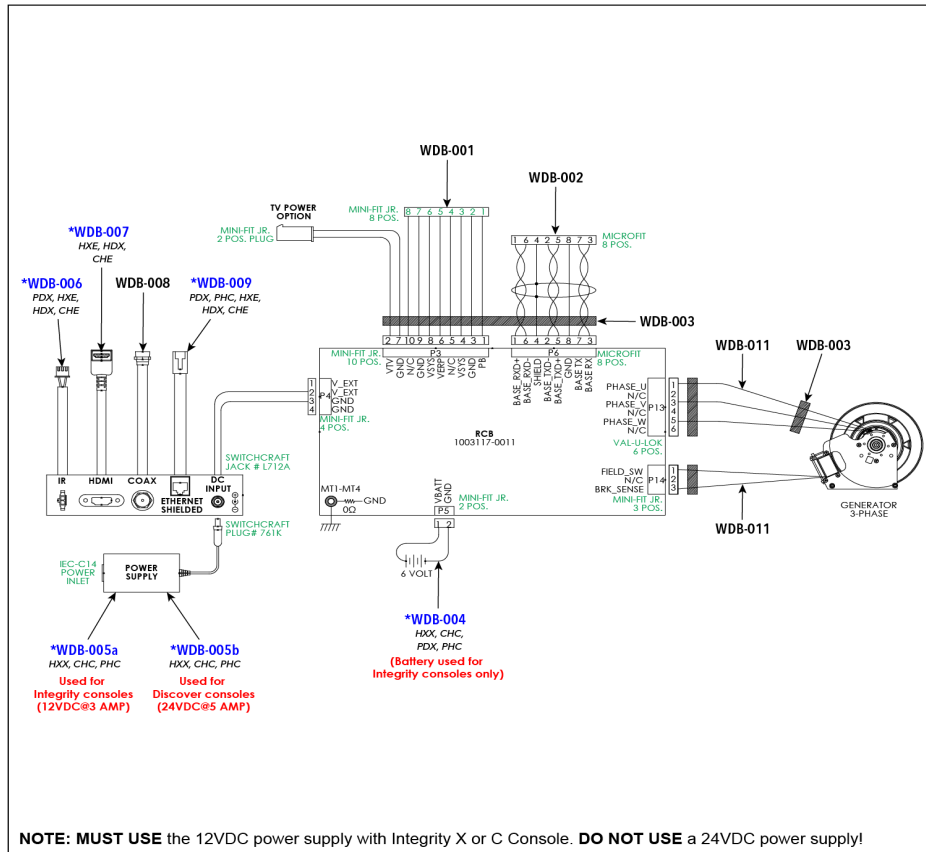
Ref #	Part Number	Qty	Description
TL-001	1012417-0001	2	ASSEMBLY: TIE ROD, W/ BRGS
TL-002	1017737-0001	2	BUSHING: BEARING, TIMING LINK
TL-003	0017-00103-0378	4	NUT: M6 X 1-6H6H, DIN, LOCKNUT, ST, BZ
TL-004	0017-00104-0468	6	WASHER: M6.4 X 18 X 1.6, DIN, FLAT, G5, ZB
TL-005	0017-00101-2064	4	SCREW: M6 X 1 X 40, HEX HEAD, CAP
TL-006	1017736-0001	2	BUSHING: BEARING, TIMING LINK

Upper Shrouds and Cup Holder



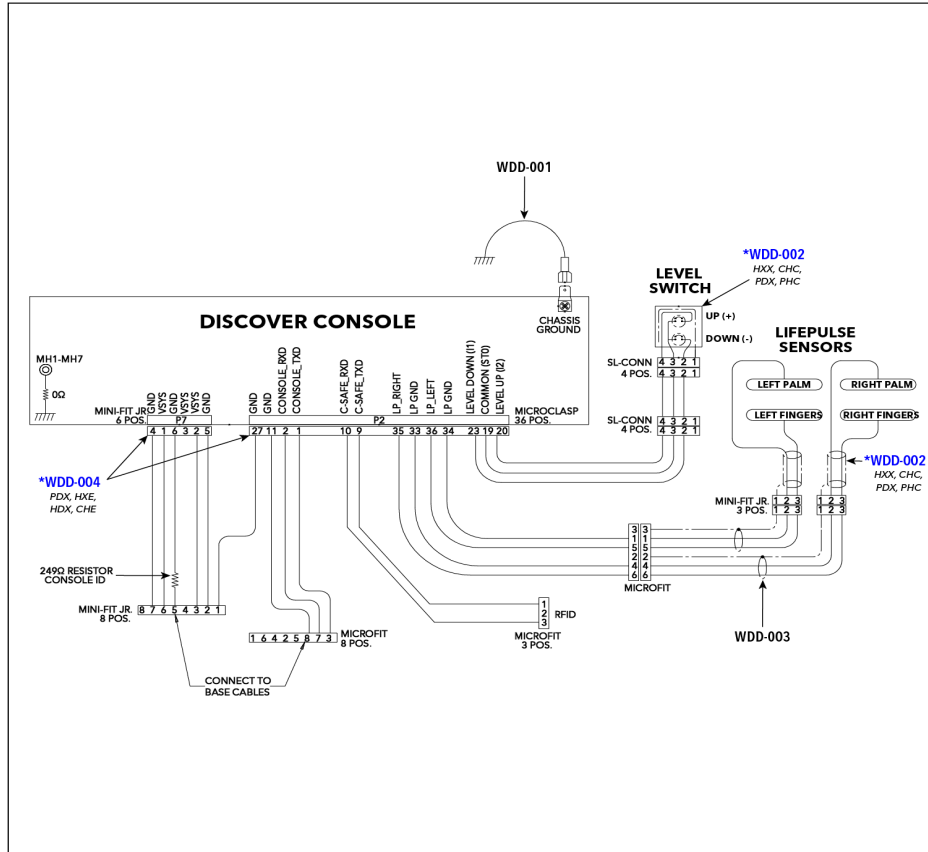
Ref #	Part Number	Qty	Description
US-001	1002575-2400	1	SHROUD: UPPER, RIGHT, CHARCOAL GRAY
US-002	1002576-2400	1	SHROUD: UPPER, LEFT, CHARCOAL GRAY
US-003	1002577-2400	1	SHROUD: UPPER, MIDDLE, CHARCOAL GRAY
US-004	0017-00101-1846	4	SCREW: M4.2 X 1.4-6G6G X 10, DIN, PHL, PAN, AB, ST, ZB
US-005	0017-00042-1147	12	GROMMET: SCREW, 8 OR 10
US-006	0017-00101-1796	8	SCREW: M4.2 X 0.7 6G6G X 19, DIN, PHL, PAN, AB, ST, ZB
US-007	1001034-2400	1	CUPHOLDER: LOCKING, CHARCOAL GRAY

Wiring Diagram - Base



Ref #	Part Number	Qty	Description
WDB-001	1002258-0003	1	CABLE: CONSOLE TO BASE, POWER, CT
WDB-002	1002239-0003	1	CABLE: CONSOLE TO BASE, SIGNAL, 3625MM
WDB-003	121E-00001-0023	1	FERRITE: SUPPRESSION, CORE-CASE
WDB-004	AK69-00106-0000	1	CABLE ASSY: BATTERY, NON-TREADS, 26 INCH
WDB-005b	1004808-0001	1	CA POWER SUPPLY: INPUT 100-240VAC, OUTPUT 24VDC 2.5A, 2.5MM PLUG
WDB-005a	1001517-0002	1	POWER SUPPLY: 12 VDC, 5A
WDB-006	1001671-0003	1	CABLE: IR, CONSOLE TO PANEL, 1700MM
WDB-007	1001653-0003	1	CABLE ASSY: HDMI, PANEL MOUNT, RIGHT, 1700MM
WDB-008	AK65-00062-0000	1	CABLE ASSY: COAX, RG6
WDB-009	AK70-00092-0000	1	CABLE ASSY: CAT5E, V2, 84 INCH
WDB-010	1003521-0003	1	CABLE: POWER, RCB TO PANEL, 5A, CROSSTRAINER
WDB-011	1007096-0001	1	FERRITE: ROUND CABLE SNAP, 240 OHM @ 250MHZ

Wiring Diagram - Discover Consoles



Ref #	Part Number	Qty	Description
WDD-001	AK65-00103-0002	1	CBL ASSY: GROUND, ESD
WDD-002	1003871-0002	1	CABLE: LIFEPULSE ELECTRODES, 435MM
WDD-003	1003838-0002	1	CABLE: LIFEPULSE TO ELECTRODE, CROSSTRAINER
WDD-004	1006811-0001	1	CABLE: DISCOVER TO HERCULES ADAPTOR, CROSSTRAINER

