

# Club Series - Back Extension

CSBE

## Parts Manual

2/5/2024 21:04:52 PM

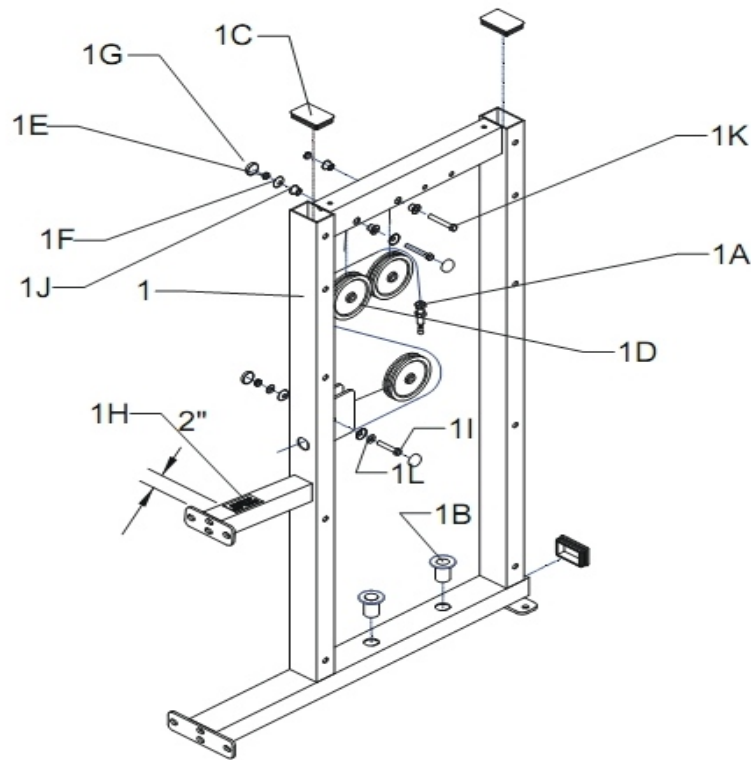


**Table of Contents**

---

[Component Assembly 1](#).....3  
[Component Assembly 10](#).....4  
[Component Assembly 11](#).....5  
[Component Assembly 2](#).....6  
[Component Assembly 3](#).....7  
[Component Assembly 4](#).....8  
[Component Assembly 5](#).....10  
[Component Assembly 6](#).....11  
[Component Assembly 7](#).....12  
[Component Assembly 8](#).....13  
[Component Assembly 9](#).....14  
[Miscellaneous](#).....15

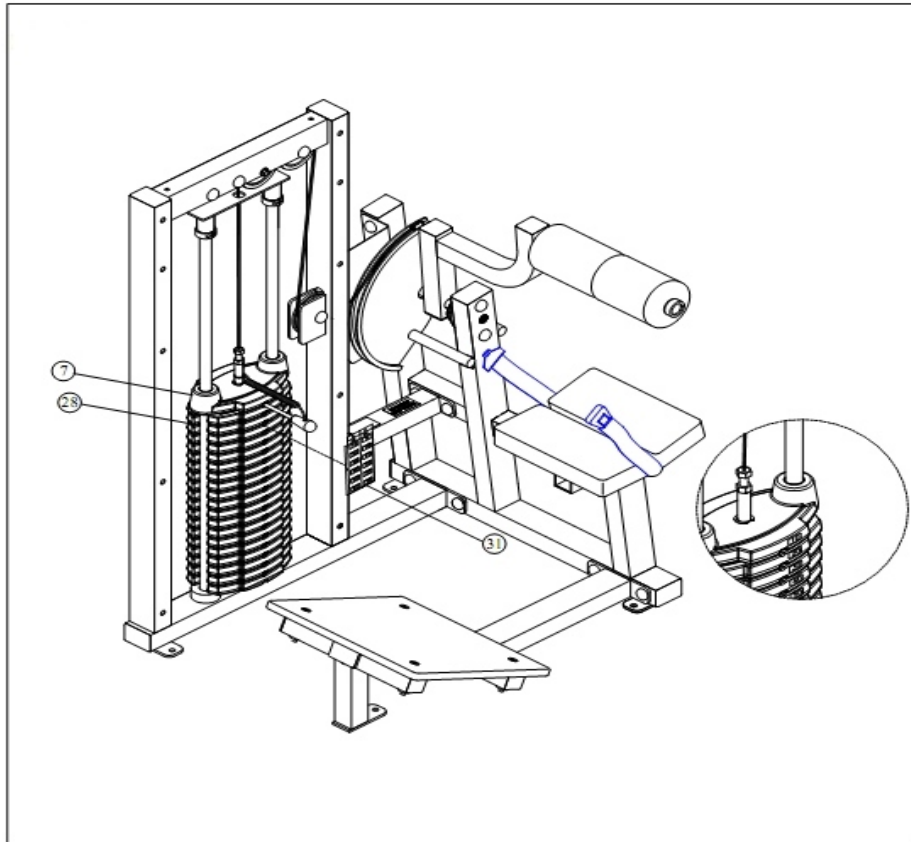
# Component Assembly 1



Ref #	Part Number	Qty	Description
1J	3102807	3	NUT, NYLOCK 3/8-16 LOW HT
1L	LEA6692601	3	Cap; End 3 X 2 10-14GA
1H	LEA6480301	4	SPACER;FLNG 3/8ID X5/8OD X9/16
1D	3102514	2	WASHER, FLAT 3/8 IN SAE ST ZN
1A	7015201	1	CABLE,BE-TP1,T3,77
1F	3222801	3	Pulley, 4-1/2 OD X 1/4 ID X 1
1B	8039501	1	LABEL, WARNING TRIANGLE
1G	3102903	2	3/8-16 X 2-1/2 UNS HEX FHB G2 ZN
1	7008799	1	TOWER
1E	3102933	1	3/8-16X2 UNS HEX FHB G2 ZN
1K	6866601	4	Cap, RH-20 Black
1C	6714901	2	BSHNG, GUIDE ROD 1 ID X 2
1I	6866701	4	WASHER, RH 3/8 ID

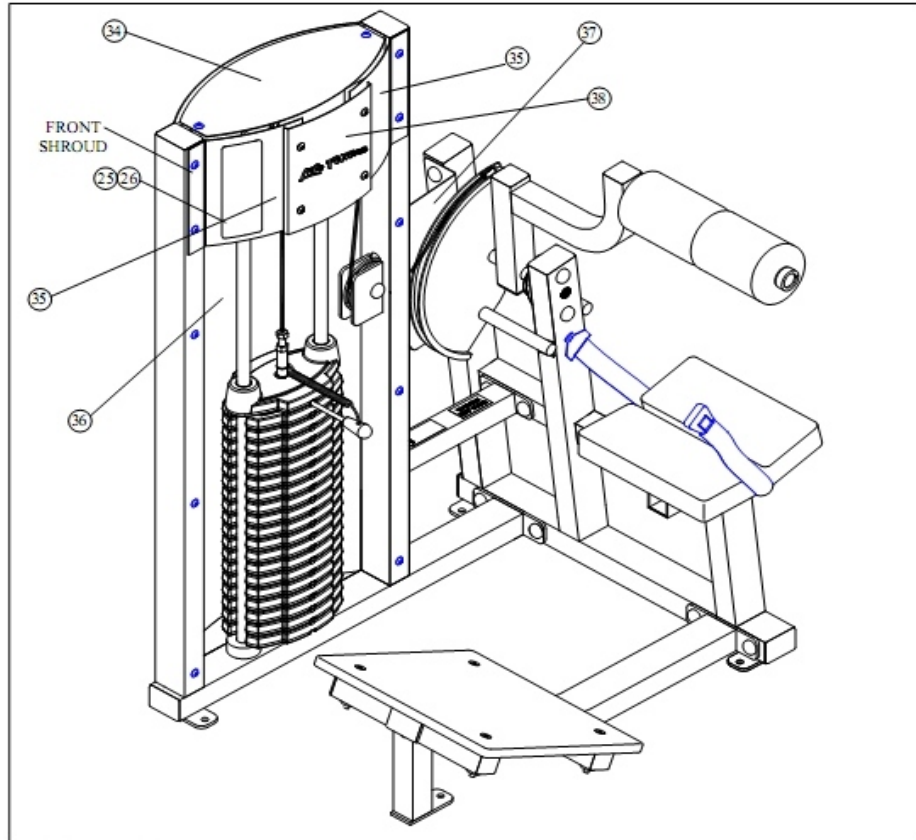
## Component Assembly 10

---



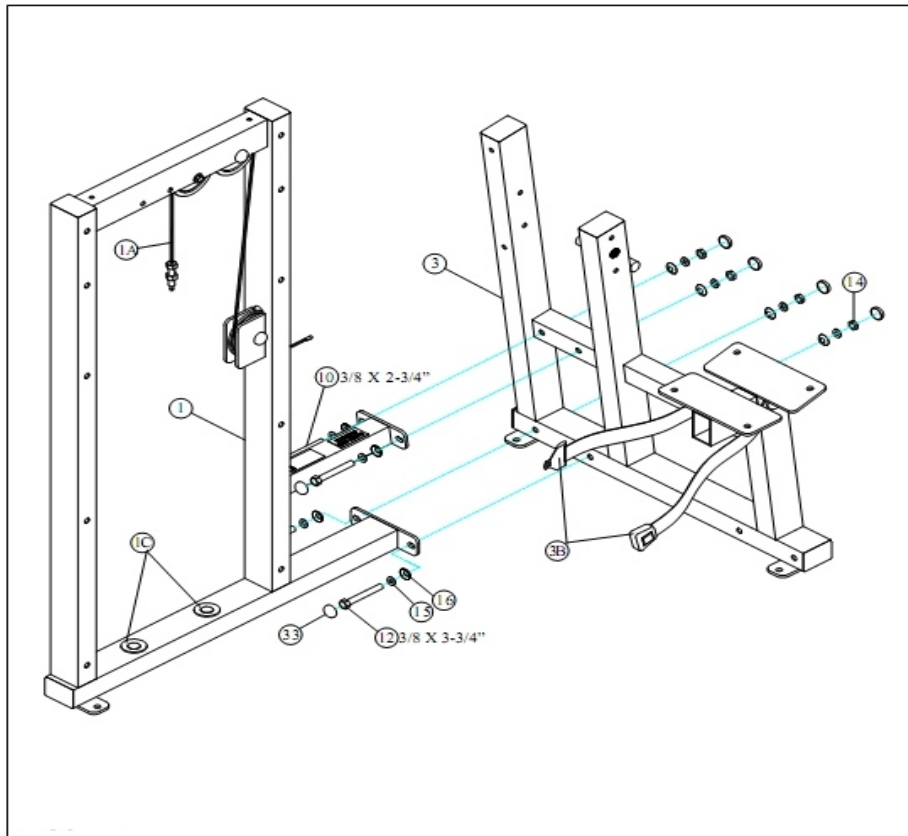
Ref #	Part Number	Qty	Description
7	6923602	1	Painted Assembly, Head Plate 25.5 Black
28	CSWGT-4000-101	20	Standard Weight Plate Option
31	6957001	1	Label, Stack Standard 20

## Component Assembly 11



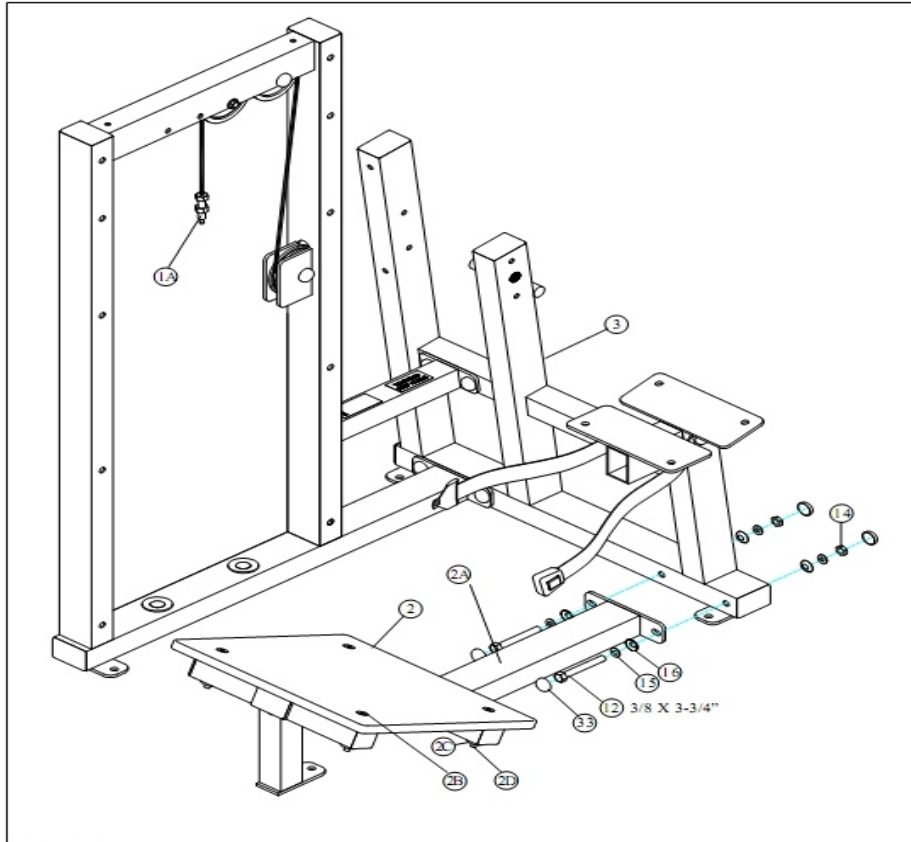
Ref #	Part Number	Qty	Description
25	6996101	1	LABEL, PLACARD CSBE
26	6995901	1	LABEL, LNG ADNDM CSBE
34	6861902	1	SHROUD, TOP 18-1/2 BLK
35	6922202	2	PTD ASSY,FRNT SHRD (PRTL) BLK
36	6925302	1	PTD ASSY,REAR SHRD52"(FULL)BLK
37	6888902	1	SHROUD,CAM 14X7-3/4 X 3-3/8BLK
38	6862007	1	SHROUD, FRONT 10" PLATINUM

## Component Assembly 2



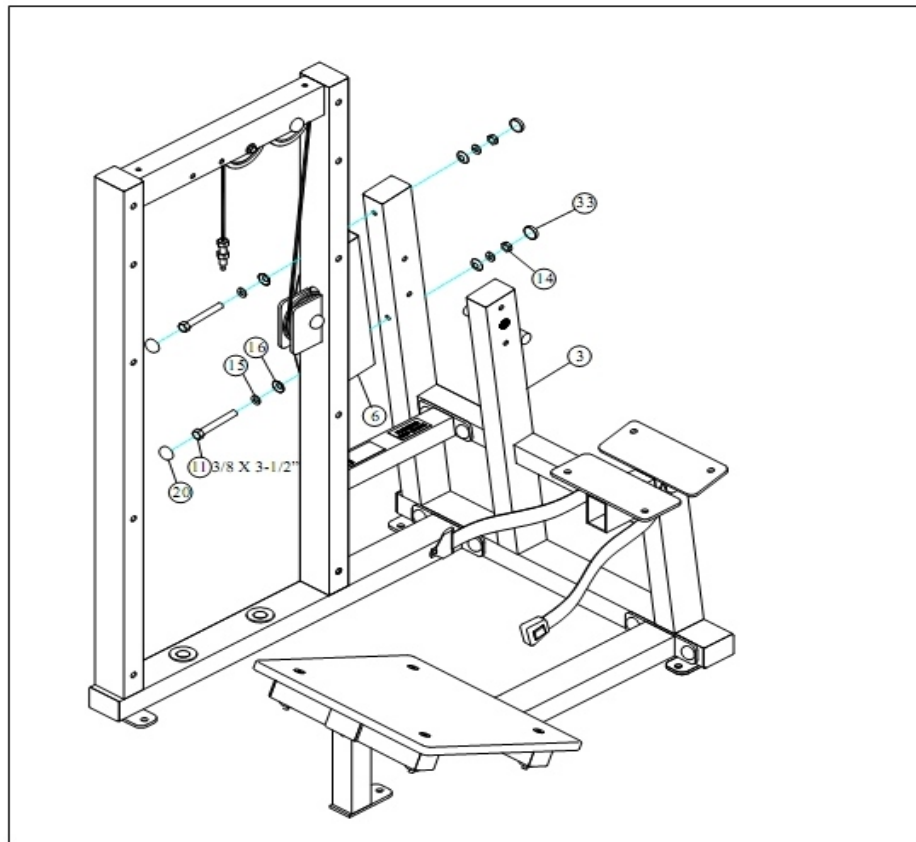
Ref #	Part Number	Qty	Description
1A	7015201	1	CABLE,BE-TP1,T3,77
1	7008799	1	TOWER
1C	6714901	2	BSHNG, GUIDE ROD 1 ID X 2
3B	7017201	1	NLA: USE/ AK14-00254-0000: SEAT BELT ASSY
3	7013799	1	CROSS SUPPORT
10	3102922	2	3/8-16X2-3/4 UNS HEX FHB G2 ZN
12	3102905	4	3/8-16 X 3-3/4 UNS HEX FHB G2 ZN
14	3102807	14	NUT, NYLOCK 3/8-16 LOW HT
15	3102514	20	WASHER, FLAT 3/8 IN SAE ST ZN
16	6866701	28	WASHER, RH 3/8 ID
33	ACU06-0357PLAT	26	CAP - RH PLAT
33	6866602	26	Cap, RH-20 White

## Component Assembly 3



Ref #	Part Number	Qty	Description
1A	7015201	1	CABLE, BE-TP1, T3, 77
2	7013699	1	BOARD, FOOT SUPPORT
2A	7012399	1	WLDMT, FOOT SPPT
2B	3108408	4	3/8-16 X 3-1/4 HXS FL SC ST BZ
3	7013799	1	CROSS SUPPORT
12	3102905	4	3/8-16 X 3-3/4 UNS HEX FHB G2 ZN
14,2D	3102807	18	NUT, NYLOCK 3/8-16 LOW HT
15,2C	3102514	24	WASHER, FLAT 3/8 IN SAE ST ZN
16	6866701	28	WASHER, RH 3/8 ID
33	6866602	26	Cap, RH-20 White
33	ACU06-0357PLAT	26	CAP - RH PLAT

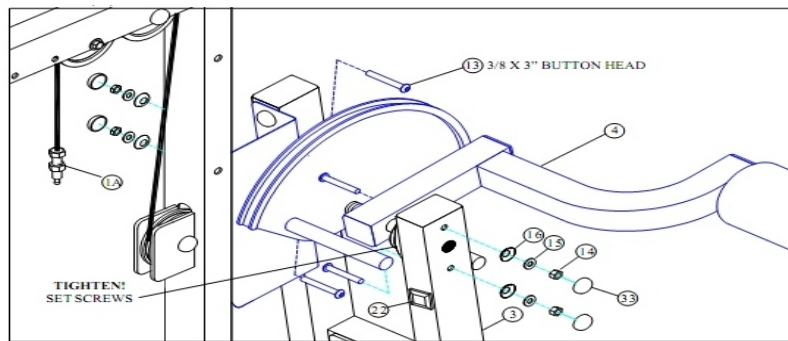
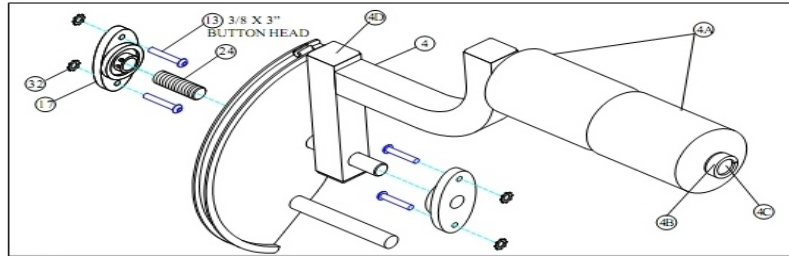
## Component Assembly 4



Ref #	Part Number	Qty	Description
3A	LEA6692601	5	Cap; End 3 X 2 10-14GA
3B	7017201	1	NLA: USE/ AK14-00254-0000: SEAT BELT ASSY
3	7013799	1	CROSS SUPPORT
4C	3119303	1	CAP, END 1-1/4 RD 10-14GA
4D	6405201	3	CAP, END 2 SQ 10-14 GA
4	7009399	1	PIVOT ARM
4B	3222701	2	Shaft Collar, 1-1/4ID Black Plastic
4A	ACUP06-0005	2	Roller Pad; 1-1/4 ID X 5 X 8
5	6883999	1	*GUIDE ROD SUPPORT
6	6888902	1	SHROUD,CAM 14X7-3/4 X 3-3/8BLK
7	6923602	1	Painted Assembly, Head Plate 25.5 Black
8	3102901	4	3/8-16X1-1/4 UNS HEX FHB G2 ZN
9	3102903	2	3/8-16 X 2-1/2 UNS HEX FHB G2 ZN
10	3102922	2	3/8-16X2-3/4 UNS HEX FHB G2 ZN
11	3102942	2	3/8-16X3-1/2 UNS HEX FHB G2 ZN
12	3102905	4	3/8-16 X 3-3/4 UNS HEX FHB G2 ZN
13	3202404	4	3/8-16 X 3 HXS BUT CS G8 BO
14	3102807	14	NUT, NYLOCK 3/8-16 LOW HT
15	3102514	20	WASHER, FLAT 3/8 IN SAE ST ZN
16	6866701	28	WASHER, RH 3/8 ID
17	3203501	2	Assembly, Pillow Block 5.125 X2.75
18	LEA7622001	1	ASSY; SELECTOR PIN

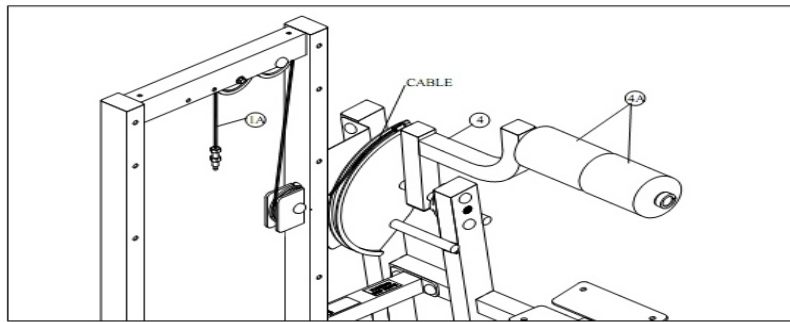
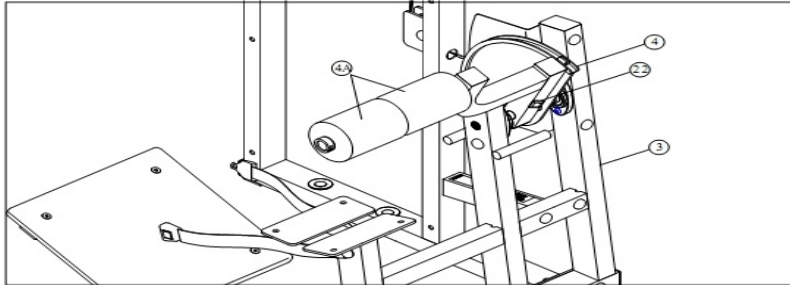
Ref #	Part Number	Qty	Description
19	3108001	2	CUSHION, WEIGHT STACK 1 ID
20	6866601	2	Cap, RH-20 Black
21	3222001	2	COLLAR, SHAFT 1 ID BLK PLASTIC
22	LEA3104301	2	Bumper; Rubber 3/4 SQ
23	6714901	2	BSHNG, GUIDE ROD 1 ID X 2
24	6912801	1	Sleeve, Accordion 1.0 ID X2.00
25	6996101	1	LABEL, PLACARD CSBE
26	6995901	1	LABEL, LNG ADNDM CSBE
27	6926901	2	Plated Assembly, Guide Rod 48" Lg
28	CSWGT-4000-101	20	Standard Weight Plate Option
29	6888402	10	ORDER CSWGT-4100-101 FROM FINISHED GOODS
30	6930099	2	Pad, 14 X 6 Rld Edge Custom
31	6957001	1	Label, Stack Standard 20
32	3230701	4	Washer .391-.683-036 EX-D ST BZ
33	ACU06-0357PLAT	26	CAP - RH PLAT
33	6866602	26	Cap, RH-20 White

## Component Assembly 5



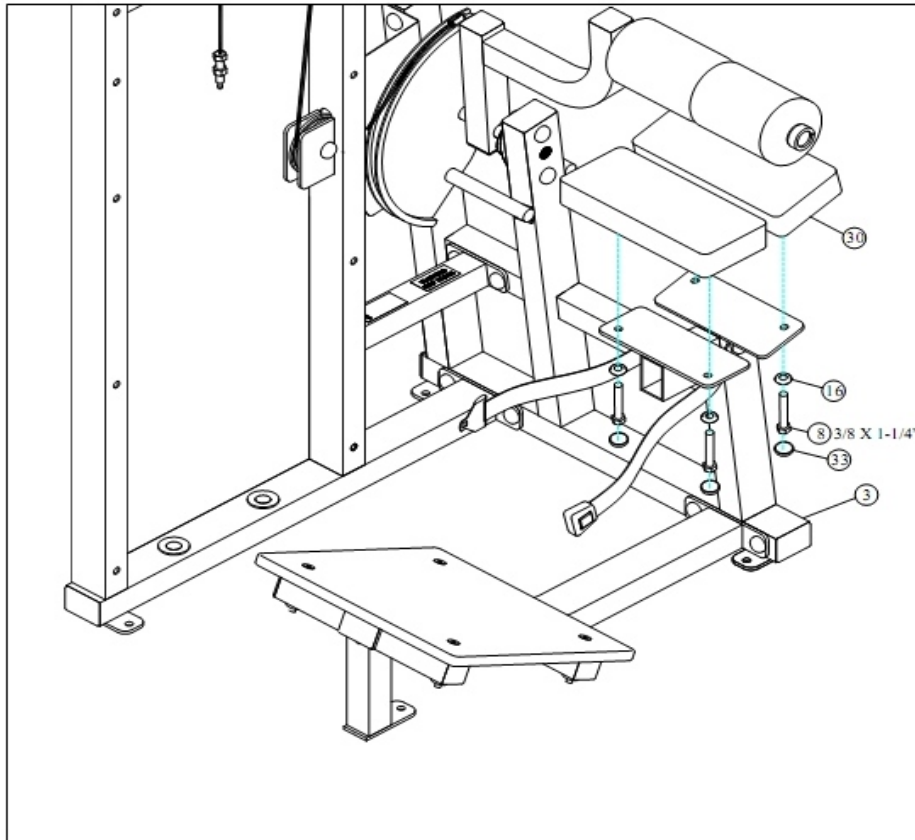
Ref #	Part Number	Qty	Description
1A	7015201	1	CABLE,BE-TP1,T3,77
3	7013799	1	CROSS SUPPORT
4C	3119303	1	CAP, END 1-1/4 RD 10-14GA
4D	6405201	3	CAP, END 2 SQ 10-14 GA
4	7009399	1	PIVOT ARM
4B	3222701	2	Shaft Collar, 1-1/4ID Black Plastic
4A	ACUP06-0005	2	Roller Pad; 1-1/4 ID X 5 X 8
13	3202404	4	3/8-16 X 3 HXS BUT CS G8 BO
14	3102807	14	NUT, NYLOCK 3/8-16 LOW HT
15	3102514	20	WASHER, FLAT 3/8 IN SAE ST ZN
16	6866701	28	WASHER, RH 3/8 ID
17	3203501	2	Assembly, Pillow Block 5.125 X2.75
22	LEA3104301	2	Bumper; Rubber 3/4 SQ
24	6912801	1	Sleeve, Accordion 1.0 ID X2.00
32	3230701	4	Washer .391-.683-036 EX-D ST BZ
33	ACU06-0357PLAT	26	CAP - RH PLAT
33	6866602	26	Cap, RH-20 White

## Component Assembly 6



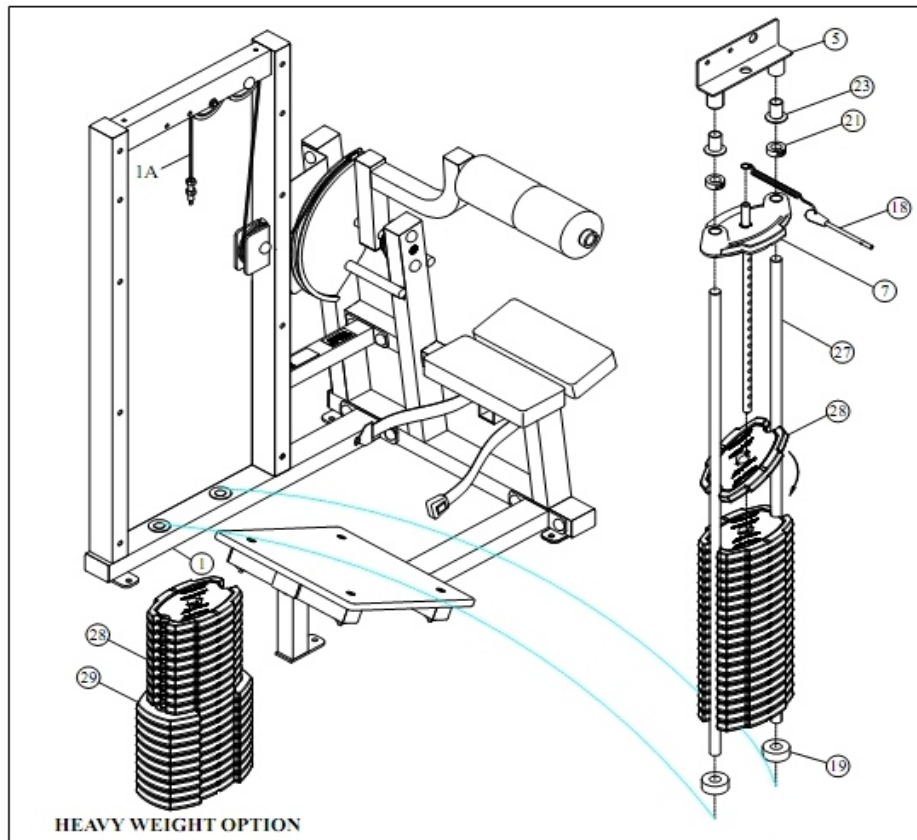
Ref #	Part Number	Qty	Description
1A	7015201	1	CABLE, BE-TP1, T3, 77
3	7013799	1	CROSS SUPPORT
4	7009399	1	PIVOT ARM
4A	ACUP06-0005	2	Roller Pad; 1-1/4 ID X 5 X 8
22	LEA3104301	2	Bumper; Rubber 3/4 SQ

## Component Assembly 7



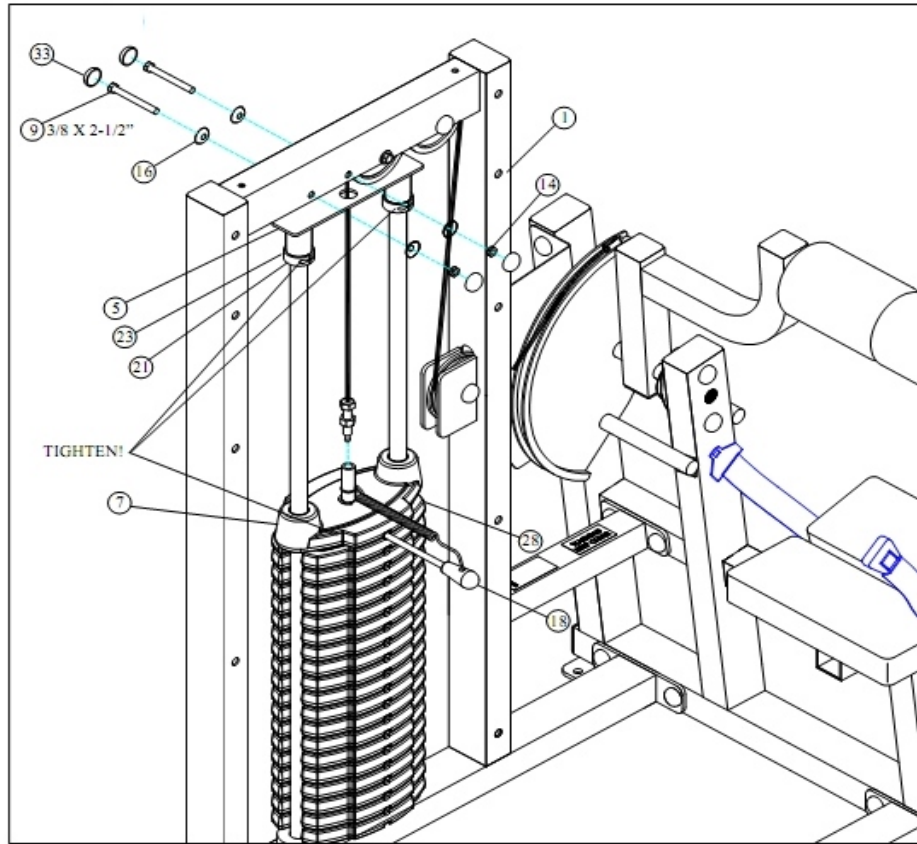
Ref #	Part Number	Qty	Description
3	7013799	1	CROSS SUPPORT
8	3102901	4	3/8-16X1-1/4 UNS HEX FHB G2 ZN
16	6866701	28	WASHER, RH 3/8 ID
30	6930099	2	Pad, 14 X 6 Rld Edge Custom
33	ACU06-0357PLAT	26	CAP - RH PLAT
33	6866602	26	Cap, RH-20 White

## Component Assembly 8



Ref #	Part Number	Qty	Description
1	7008799	1	TOWER
5	6883999	1	*GUIDE ROD SUPPORT
7	6923602	1	Painted Assembly, Head Plate 25.5 Black
19	3108001	2	CUSHION, WEIGHT STACK 1 ID
21	3222001	2	COLLAR, SHAFT 1 ID BLK PLASTIC
23	6714901	2	BSHNG, GUIDE ROD 1 ID X 2
27	6926901	2	Plated Assembly, Guide Rod 48" Lg
28	CSWGT-4000-101	20	Standard Weight Plate Option
29	6888402	10	ORDER CSWGT-4100-101 FROM FINISHED GOODS

## Component Assembly 9



Ref #	Part Number	Qty	Description
1	7008799	1	TOWER
5	6883999	1	*GUIDE ROD SUPPORT
7	6923602	1	Painted Assembly, Head Plate 25.5 Black
9	3102903	2	3/8-16 X 2-1/2 UNS HEX FHB G2 ZN
14	3102807	14	NUT, NYLOCK 3/8-16 LOW HT
16	6866701	28	WASHER, RH 3/8 ID
18	LEA7622001	1	ASSY; SELECTOR PIN
21	3222001	2	COLLAR, SHAFT 1 ID BLK PLASTIC
23	6714901	2	BSHNG, GUIDE ROD 1 ID X 2
28	CSWGT-4000-101	20	Standard Weight Plate Option
33	ACU06-0357PLAT	26	CAP - RH PLAT
33	6866602	26	Cap, RH-20 White

## Miscellaneous

---

Ref #	Part Number	Qty	Description
1M	6793001	1	Label, Product Warning 2"
3A	LEA6692601	5	Cap; End 3 X 2 10-14GA

